

Section Two

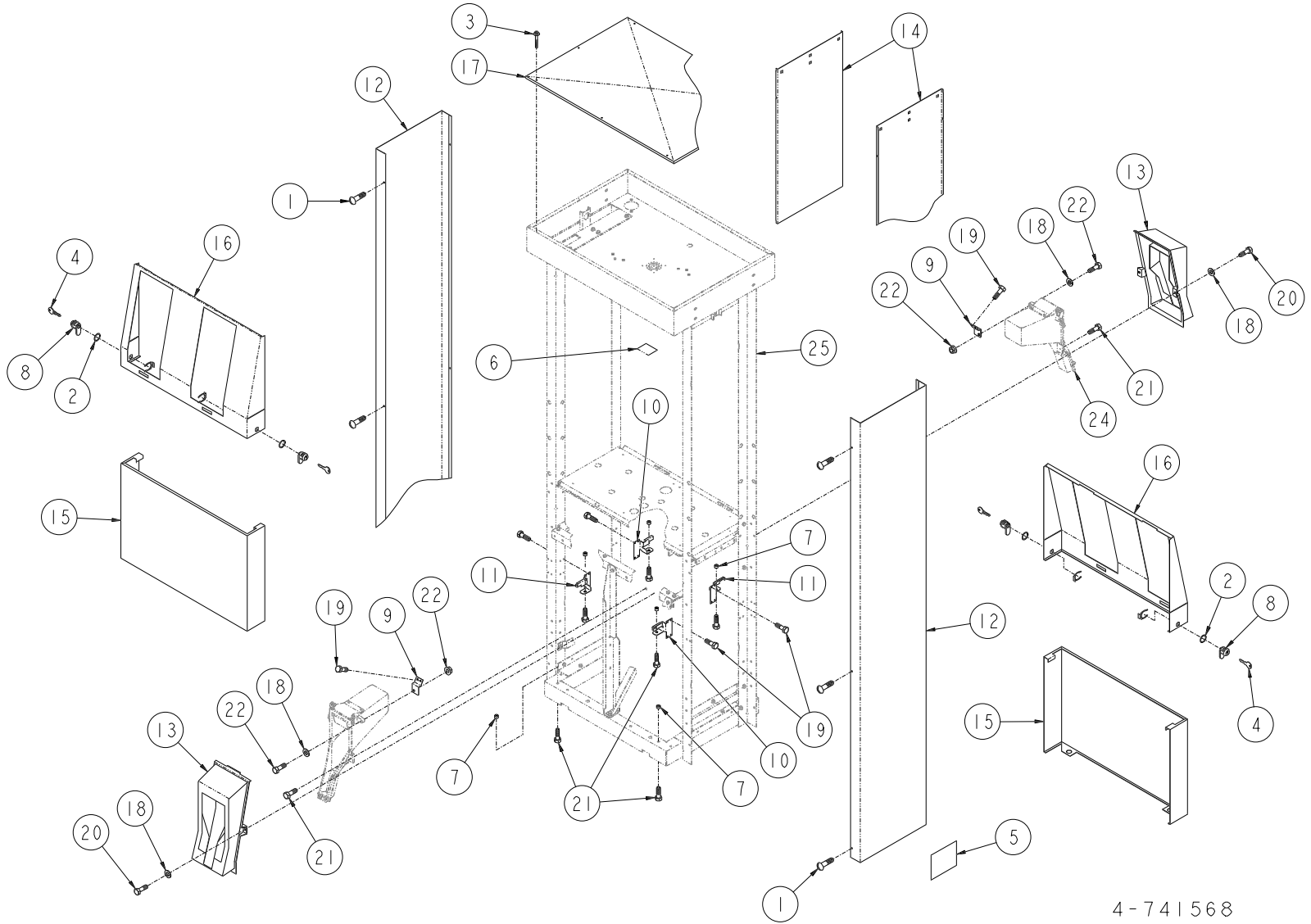
Premier Parts Manual • H Models

Outer Shell

	Page Number		Page Number
<u>Trim Assembly</u>		<u>Raceway Assembly (Continued)</u>	
H311B/H312B/H322B/H324B		Raceway Assembly	2-40, 2-41
1st Design	2-2, 2-3	Bottom Access Raceway Assembly ..	2-42, 2-43
2nd Design	2-4, 2-5		
H411B, H413B, H422B & H426B		<u>Valance Assembly</u>	
1st Design	2-6, 2-7	H311B/H312B/H322B & H324B	2-44, 2-45
2nd Design & H722B & H724B ...	2-8, 2-9	H413B/H426B (Serial No. 001306	
H414B & H428B		& Below)	2-46, 2-47
1st Design	2-10, 2-11	H411B/H413B/H414B/H422B/	
2nd Design & H412B & H424B ...	2-12, 2-13	H426B/H428B/H722B & H724B	
		(Serial No. 001307 and Above)	2-48, 2-49
<u>Nozzle Boot Assembly</u>		H413B-R-V1 & H426B-R-V1	2-50, 2-51
1st Design	2-14, 2-15	Valance Lexan Panel Assembly	2-52, 2-53
2nd Design	2-16, 2-17		
3rd Design	2-18, 2-19	<u>Head Assembly</u>	
Lift Lever	2-20, 2-21	30"	2-54, 2-55
		45"	2-56, 2-57
<u>Chassis Assembly</u>		<u>Product Panel Assembly</u>	
H311B, H312B, H322B & H324B		45" Serial No. 021280 & Below	
1st Design	2-22, 2-23	30" Serial No. & Below	2-58, 2-59
2nd Design	2-24, 2-25	45" Serial No. 021281 & Above	
H411B, H413B, H422B & H426B		30" Serial No. & Above	2-60, 2-61
1st Design	2-26, 2-27	Head Plug Assembly	2-62, 2-63
2nd Design & H722B & H724B ...	2-28, 2-29	Access Panel Assembly	2-64, 2-65
H414B & H428B			
1st Design	2-30, 2-31		
2nd Design & H412B/H424B	2-32, 2-33		
Barrier Plug	2-34, 2-35		
<u>Raceway Assembly</u>			
Raceway Without Valance Assy	2-36, 2-37		
Raceway Extension Assembly	2-38, 2-39		

TRIM ASSEMBLY

H311B, H312B, H322B & H324B
(1st Design See Serial Break List 71144)



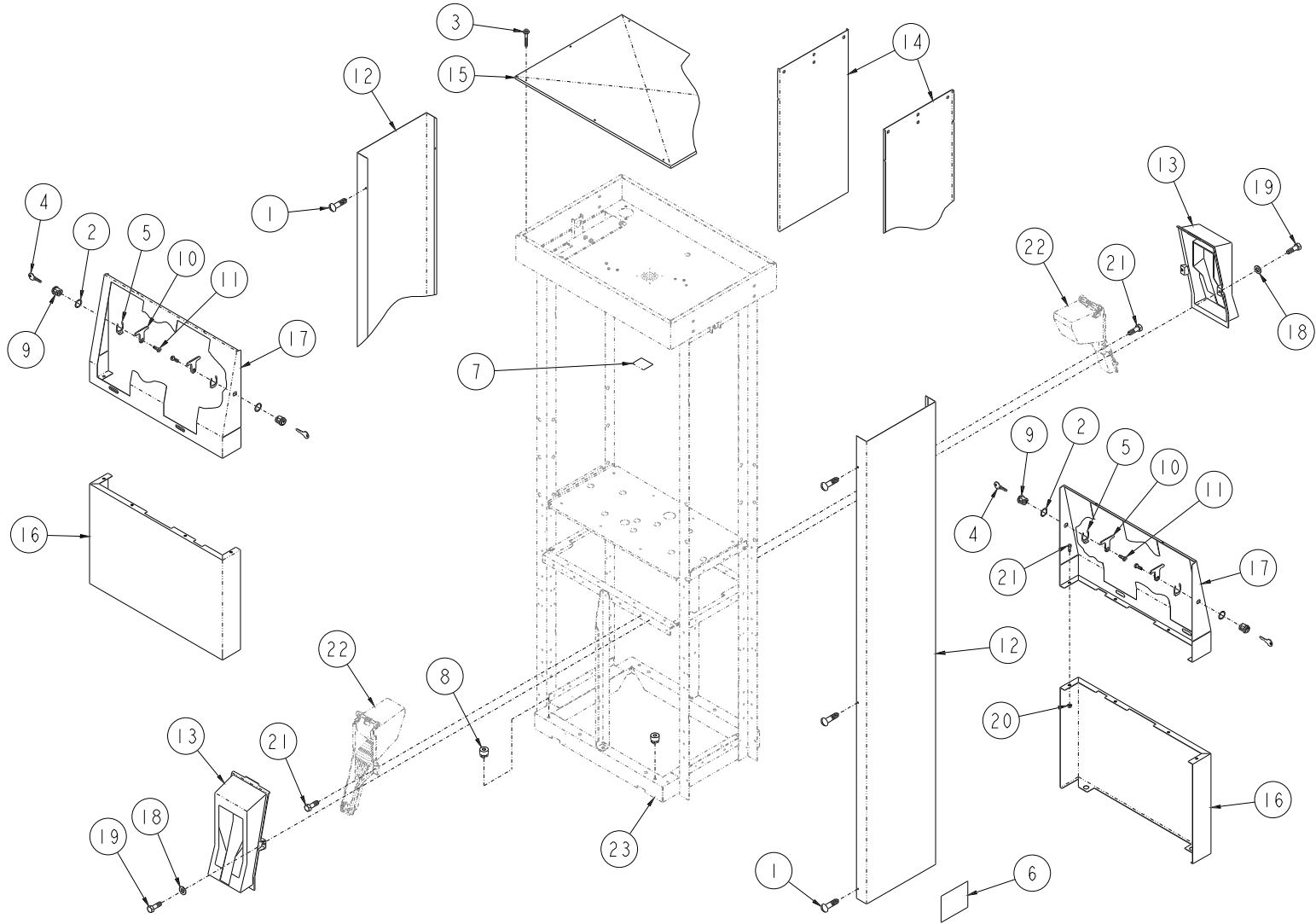
4-741568

TRIM ASSEMBLY - H311B, H312B, H322B & H324B (1st Design - see Serial Break List 71144)

ITEM NO.	PART NO.	DESCRIPTION	ITEM NO.	PART NO.	DESCRIPTION	ITEM NO.	PART NO.	DESCRIPTION
1	1-126964	#8-32 x 3/8" Long Truss Head Thread Cutting Screw (Stainless Steel)	13	1-421067	Nozzle Boot Shroud	21	35-54742	5/16-18 x 5/8" Long M-F Hex Head Whiz-Lock Screw
	1-132769	#8-32 x 1/2" Long Pan Head Thread Cutting Screw (Bright Annealed Stainless Steel)	14	<u>Inside Post Cover</u>		22	38-54742	5/16-18 x 1" Long M-F Hex Head Whiz-Lock Screw
	2-132769	#8-32 x 1/2" Long Pan Head Thread Cutting Screw (Black Oxide)		1-421117	Stainless Steel	23	02-54752	5/16-18 M-F Flange Whiz-Lock Nut
				2-421117	Painted	24	<u>For parts call out of Nozzle Boot Assy see: 73825 1st Design</u>	
				3-421117	Painted "Black"	25	<u>For parts call out of Chassis Assembly see: 741567.</u>	
2	2-127656	Lock Gasket	15	<u>Lower Door</u>		<u>For complete Upper Access Door Assembly order: (Includes Item #2,4,8 & 16) Painted</u>		
3	1-131282	Seal Screw		3-421137	Painted	421454-1	2 Nozzle Boots Per Side	
4	1-131381	(2) Keys	16	<u>Upper Access Door (Painted)</u>		421454-2	1 Nozzle Boot Per Side	
5	1-225094	Decal (Unleaded)		4-421137	Stainless Steel	421454-3	No Nozzle Boots	
6	1-226268	Decalcomania				<u>Stainless Steel</u>		
7	4-227970	Spacer				421454-4	2 Nozzle Boots Per Side	
8	1-227492	Door Lock Assembly (Includes Item # 4)				421454-5	1 Nozzle Boot Per Side	
9	1-232103	Nozzle Boot Bracket				421454-6	No Nozzle Boots	
10	1-319566	Lock Bracket (Right)				<u>Reference for Tokheim internal use only:</u>		
11	2-319566	Lock Bracket (Left)	17	1-421446	30" Raceway Cover	319635	Trim Assembly	
			18	08-50621	5/16" Plain Washer	319651	Final Assembly	
			19	10-51491	#14 x 1/2" Long P-K Hex Head Self Tapping Screw			
12	<u>Outside Post Cover</u>		20	11-51491	5/16-18 x 1/2" Long P.K. Self Tapping Screw			
	1-420310	Stainless Steel						
	2-420310	Painted						
	3-420310	Painted "Black"						

TRIM ASSEMBLY

H311B, H312B, H322B & H324B
(2nd Design See Serial Break List 71144)



3-741596

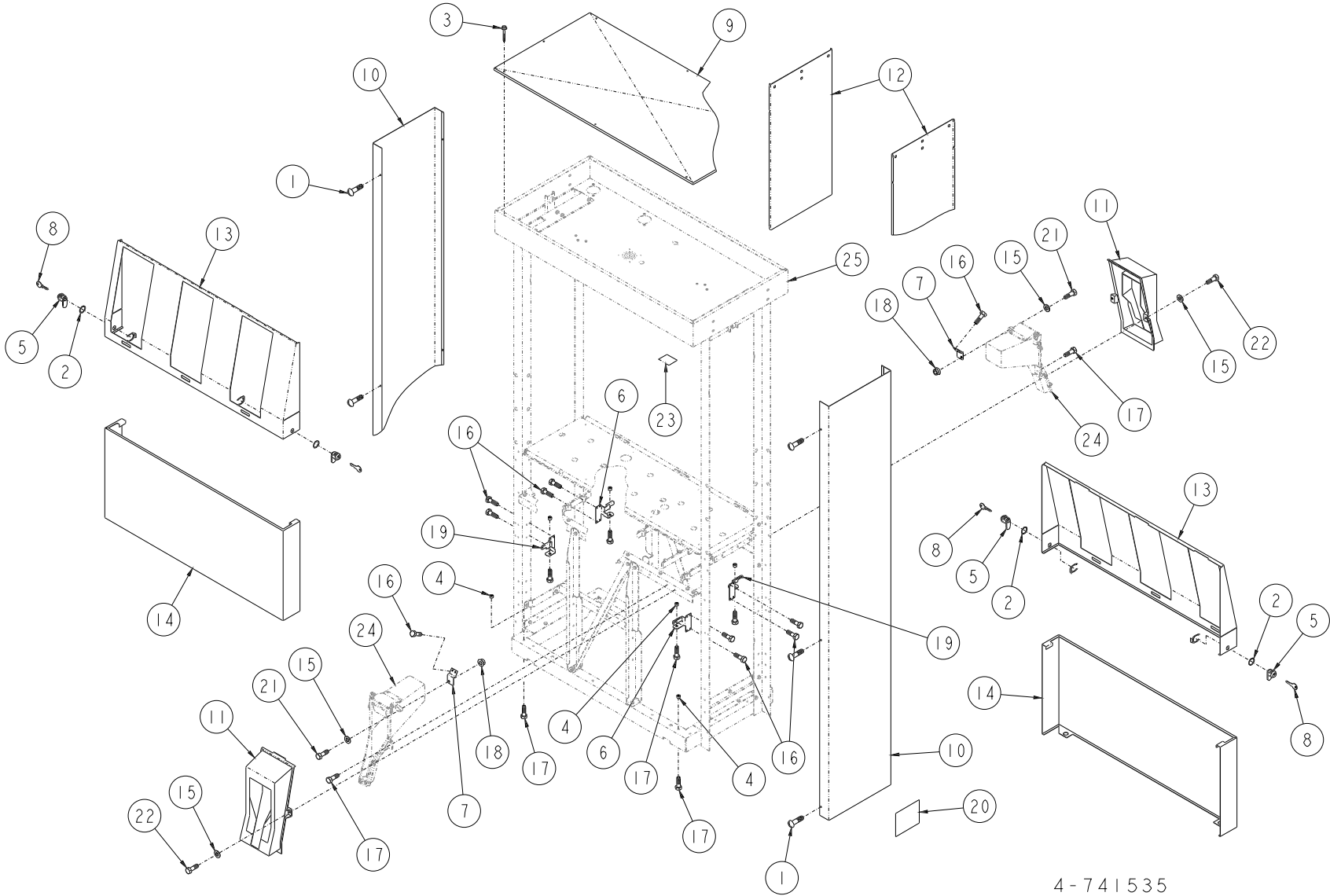
TRIM ASSEMBLY - H311B, H312B, H322B & H324B (2nd Design - see Serial Break List 71144)

PREMIER Parts Manual • H Models
Form 4814A, Version 4.0 July 1996 Rev. 1/15/99

Tokheim Corporation
2-5

ITEM NO.	PART NO.	DESCRIPTION	ITEM NO.	PART NO.	DESCRIPTION	ITEM NO.	PART NO.	DESCRIPTION
1	#8-32 x Head Thread Cutting Screw			3-421117	Painted "Black"	21	35-55132	5/16-18 x 5/8" Long M-F Flange Whiz-Lock Screw
	1-126964	3/8" Long Truss (Stainless Steel)		7-421117	Brazil		20-51491	5/16-18 x 3/4" Long P.K. Self Tapping Screw
	1-132769	1/2" Long Pan (Bright Annealed Stainless Steel)		11-421117	Petrobras	22	<u>For parts call out of Nozzle Boot Assembly see</u>	
	2-132769	1/2" Long Pan (Black Oxide)	15	<u>Raceway Cover</u>			72240	2nd Design
2	2-127656	Lock Gasket		1-421446	24" Wide Raceway		72366	Lift Lever
3	1-131282	Seal Screw		1-422504	20" Wide Raceway		72552	3rd Design
4	1-131381	Keys (2 each)	16	<u>Lower Door</u>		23	<u>For parts call out of Chassis Assembly see</u>	
5	3-217160	Spring Clip		1-421727	Painted		<u>741597</u>	
6	1-225094	Decal (Unleaded)		2-421727	Stainless Steel		<u>For complete Upper Access Door Assembly</u>	
7	1-226268	Decalcomania					<u>order: (Includes Item #2, 4, 5, 9, 10, 11 & 17)</u>	
8	232927-1	Grommet Kit	17	<u>Upper Access Door (Painted)</u>			<u>Painted</u>	
9	1-232358	Door Lock Assembly (Includes Item # 4, 5, 10 & 11)		1-421728	2 Nozzle Boots Per Side		421737-1	2 Nozzle Boots Per Side
10	2-232358	Cam		3-421728	No Nozzle Boots		421737-3	No Nozzle Boots
11	3-232358	1/4" Screw With Shakeproof Lockwasher		5-421728	1 Nozzle Boot Per Side "B"		421737-5	1 Nozzle Boot Per Side "B"
				7-421728	1 Nozzle Boot Per Side "A"		421737-7	1 Nozzle Boot Per Side "A"
				<u>Upper Access Door (Stainless Steel)</u>			<u>Stainless Steel</u>	
12	<u>Outside Post Cover</u>			2-421728	2 Nozzle Boots Per Side		421737-2	2 Nozzle Boots Per Side
	1-420310	Stainless Steel		4-421728	No Nozzle Boots		421737-4	No Nozzle Boots
	2-420310	Painted		6-421728	1 Nozzle Boot Per Side "B"		421737-6	1 Nozzle Boot Per Side "B"
	3-420310	Painted "Black"		8-421728	1 Nozzle Boot Per Side "A"		421737-8	1 Nozzle Boot Per Side "A"
	7-420310	Brazil	18	08-50621	5/16" Plain Washer		<u>Reference for Tokheim internal use only:</u>	
13	1-421067	Nozzle Boot Shroud (Black)	19	11-51491	5/16-18 x 1/2" Long P.K. Self Tapping Screw		319810	Chassis Assembly
14	<u>Inside Post Cover</u>		20	02-54752	5/16-18 M-F Flange Whiz Lock Nut		319820	Final Assembly
	1-421117	Stainless Steel					319821	Trim Assembly
	2-421117	Painted						

TRIM ASSEMBLY
H411B, H413B, H422B & H426B
(1st Design - see Serial Break List 71144)



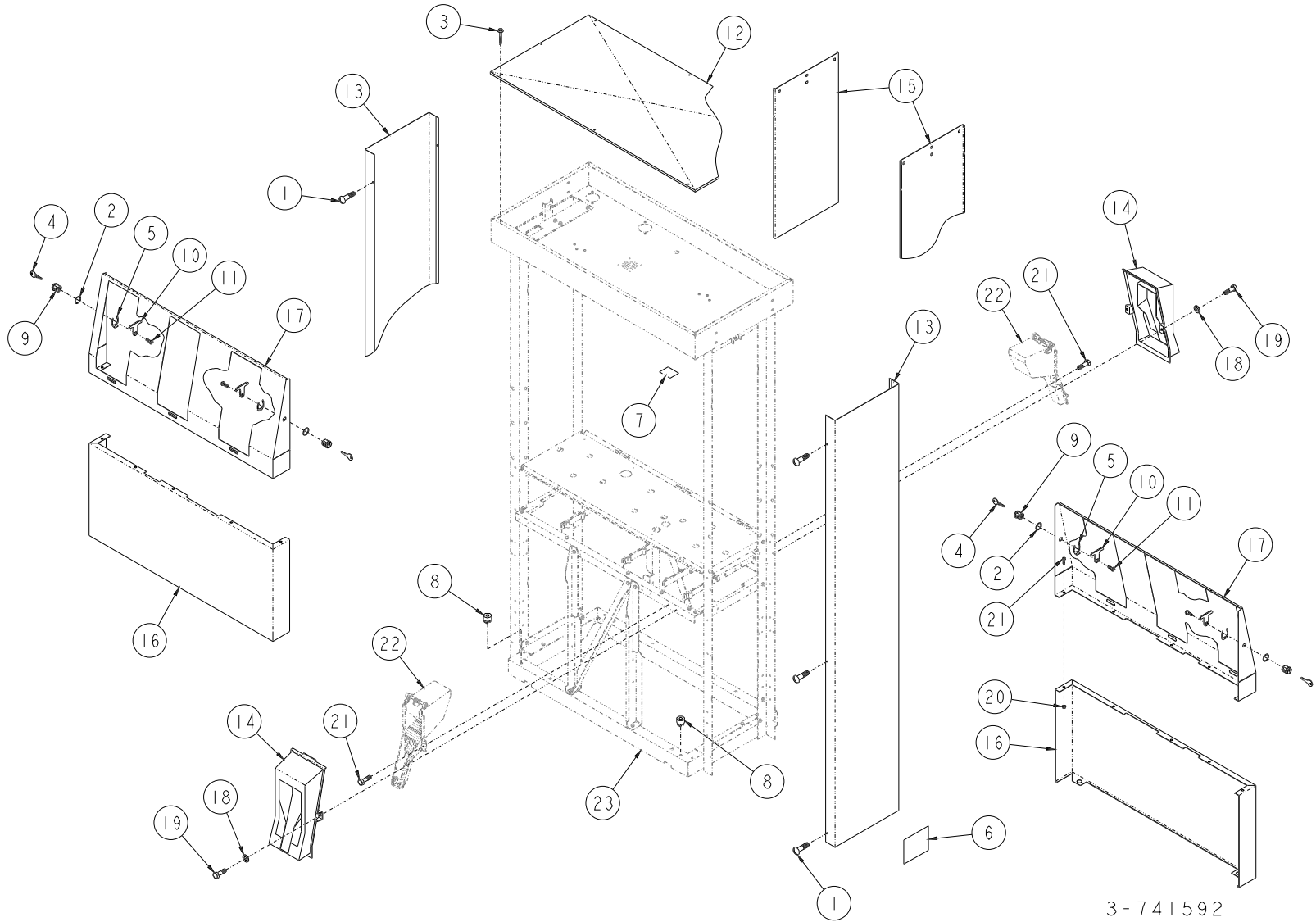
4-741535

TRIM ASSEMBLY - H411B, H413B, H422B & H426B (1st Design - see Serial Break List 71144)

ITEM NO.	PART NO.	DESCRIPTION	ITEM NO.	PART NO.	DESCRIPTION	ITEM NO.	PART NO.	DESCRIPTION
1	1-126964	#8-32 x 3/8" Long Truss Head Thread Cutting Screw (Stainless Steel)	12	<u>Inside Post Cover</u>		19	2-319566	Lock Bracket (Left)
	1-132769	#8-32 x 1/2" Long Pan Head Thread Cutting Screw (Bright Annealed Stainless Steel)		1-421117	Stainless Steel	20	1-225094	Decal (Unleaded)
	2-132769	#8-32 x 1/2" Long Pan Head Thread Cutting Screw (Black Oxide)		2-421117	Painted	21	38-54741	5/16-18 x 1" Long M-F Hex Head Whiz-Lock Screw
2	2-127656	Lock Gasket		3-421117	Painted "Black"	22	11-51491	5/16-18 x 1/2" Long P.K. Self Tapping Screw
3	1-131282	Seal Screw	13	<u>Upper Access Door (Painted)</u>		23	1-226268	Decalomania
4	4-227970	Spacer		1-421135	3 Nozzle Boots Per Side	24	<u>For parts call out of Nozzle Boot Assy see:</u>	
5	1-227492	Door Lock Assembly (Includes Item # 8)		2-421135	No Nozzle Boots		73825	1st Design
6	1-319566	Lock Bracket (Right)		1-421232	1 Nozzle Boot Per Side	25	<u>For parts call out of Chassis Assembly see</u>	
7	1-232103	Nozzle Boot Bracket		<u>Upper Access Door (Stainless Steel)</u>			<u>741534.</u>	
8	1-131381	(2) Keys		3-421135	No Nozzle Boots	<u>For complete Upper Access Door Assy. order: (Includes items #2, 5, 8 & 13) Painted</u>		
9	1-419266	45" Raceway Cover		4-421135	3 Nozzle Boots Per Side	319498-1	3 Nozzle Boots Per Side	
10	<u>Outside Post Cover</u>		14	<u>Lower Door</u>		319498-2	No Nozzle Boots	
	1-420310	Stainless Steel		1-421137	Painted	319498-5	1 Nozzle Boot Per Side	
	2-420310	Painted		2-421137	Stainless Steel	<u>Stainless Steel</u>		
	3-420310	Painted "Black"	15	08-50621	5/16" Plain Washer	319498-3	No Nozzle Boots	
11	1-421067	Nozzle Boot Shroud	16	10-51491	#14 x 1/2" Long P-K Hex Head Self Tapping Screw	319498-4	3 Nozzle Boots Per Side	
			17	35-54742	5/16-18 x 5/8" Long M-F Hex Head Whiz-Lock Screw	319498-6	1 Nozzle Boot Per Side	
			18	02-54752	5/16-18 M-F Flange Whiz-Lock Nut	<u>Reference for Tokheim internal use only:</u>		
						319395	Trim Assembly	
						319397	Final Assembly	

TRIM ASSEMBLY

H411B, H413B, H422B, H426B, H722B & H724B
(2nd Design See Serial Break List 71144)



3-741592

TRIM ASSEMBLY - H411B, H413B, H422B, H426B, H722B & H724B (2nd Design - see Serial Break List 71144)

PREMIER Parts Manual • H Models
Form 4814A, Version 4.0 July-1996 Rev. 1/15/99

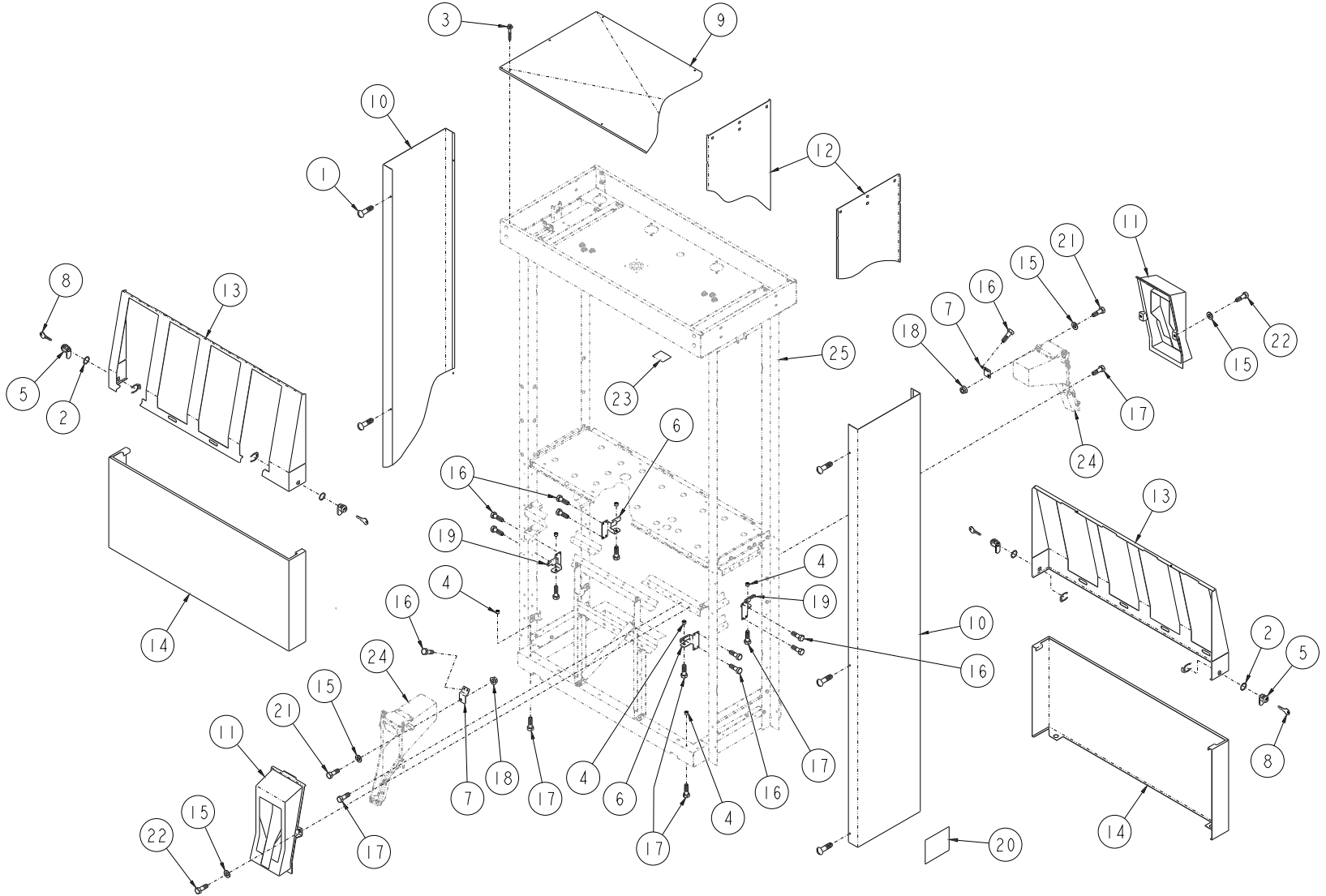
Tokheim Corporation
2-9

ITEM NO.	PART NO.	DESCRIPTION	ITEM NO.	PART NO.	DESCRIPTION	ITEM NO.	PART NO.	DESCRIPTION
1	#8-32 x Head Thread Cutting Screw		14	1-421067	Nozzle Boot Shroud (Black)	21	35-55132	5/16-18 x 5/8" Long M-F Flange Whiz-Lock Screw
	1-126964	3/8" Long Truss (Stainless Steel)					20-51491	5/16-18 x 3/4" Long P.K. Self Tapping Screw
	1-132769	1/2" Long Pan (Bright Annealed Stainless Steel)	15	<u>Inside Post Cover</u>		22	<u>For parts call out of Nozzle Boot Assy see:</u>	
	2-132769	1/2" Long Pan (Black Oxide Finish)		1-421117	Stainless Steel		72240	2nd Design
2	2-127656	Lock Gasket		2-421117	Painted		72366	Lift Lever
3	1-131282	Seal Screw		3-421117	Painted "Black"		72552	3rd Design
4	1-131381	Keys (2 each)		7-421117	Brazil	23	<u>For parts call out of Chassis Assembly see 741593</u>	
5	3-217160	Spring Clip		11-421117	Petrobras		<u>For complete Upper Access Door Assy order: (Includes Item #2, 4, 5, 9, 10, 11 & 17)</u>	
6	1-225094	Decal (Unleaded)	16	<u>Lower Door</u>			<u>Painted</u>	
7	1-226268	Decalcomania		1-421623	Painted	421624-1	3 Nozzle Boots Per Side	
8	232927-1	Grommet Kit		2-421623	Stainless Steel	421624-2	No Nozzle Boots	
9	1-232358	Door Lock Assembly (Includes Item # 4, 5, 10 & 11)	17	<u>Upper Access Door (Painted)</u>		421624-5	1 Nozzle Boot Per Side	
10	2-232358	Cam		1-421641	3 Nozzle Boots Per Side	421624-11	2 Nozzle Boots Per Side	
11	3-232358	1/4" Screw With Shakeproof Lockwasher		3-421641	No Nozzle Boots		<u>Stainless Steel</u>	
				7-421641	1 Nozzle Boots Per Side	421624-3	No Nozzle Boots	
				11-421641	2 Nozzle Boots Per Side	421624-4	3 Nozzle Boots Per Side	
						421624-6	1 Nozzle Boot Per Side	
12	<u>Raceway Cover</u>			12-421641	2 Nozzle Boots Per Side	421624-12	2 Nozzle Boots Per Side	
	1-419266	24" Wide Raceway					<u>Reference for Tokheim internal use only:</u>	
	1-420201	17" Wide Raceway		2-421641	3 Nozzle Boots Per Side	319741	Chassis Assembly	
	1-422491	20" Wide Raceway		4-421641	No Nozzle Boots	319743	Trim Assembly	
				8-421641	1 Nozzle Boot Per Side	319744 & 320659	Final Assembly	
				12-421641	2 Nozzle Boots Per Side			
13	<u>Outside Post Cover</u>		18	08-50621	5/16" Plain Washer			
	1-420310	Stainless Steel	19	11-51491	5/16-18 x 1/2" Long P.K. Self Tapping Screw			
	2-420310	Painted	20	02-54752	5/16-18 M-F Flange Whiz Lock Nut			
	3-420310	Painted "Black"						
	7-420310	Brazil						

TRIM ASSEMBLY

H414B & H428B

(1st Design See Serial Break List 71144)



3-741563

TRIM ASSEMBLY - H414B & H428B (1st Design - see Serial Break List 71144)

ITEM NO.	PART NO.	DESCRIPTION	ITEM NO.	PART NO.	DESCRIPTION	ITEM NO.	PART NO.	DESCRIPTION
1	1-126964	#8-32 x 3/8" Long Truss Head Thread Cutting Screw (Stainless Steel)	12	<u>Inside Post Cover</u>		21	38-54741	5/16-18 x 1" Long M-F Hex Head Whiz-Lock Screw
	1-132769	#8-32 x 1/2" Long Pan Head Thread Cutting Screw (Bright Annealed Stainless Steel)		1-421117	Stainless Steel			
				2-421117	Painted	22	11-51491	5/16-18 x 1/2" Long P.K. Self Tapping Screw
	2-132769	#8-32 x 1/2" Long Pan Head Thread Cutting Screw (Black Oxide)		3-421117	Painted "Black"	23	1-226268	Decalcomania
2	2-127656	Lock Gasket	13	<u>Upper Access Door (Painted)</u>		24	<u>For parts call out of Nozzle Boot Assy see: 73825 1st Design</u>	
3	1-131282	Seal Screw		2-421135	No Nozzle Boots	25	<u>For parts call out of Chassis Assembly see: 741562</u>	
4	4-227970	Spacer		5-421135	4 Nozzle Boots			
5	1-227492	Door Lock Assembly (Includes Item # 8)		<u>Upper Access Door (Stainless Steel)</u>				
6	1-319566	Lock Bracket (Right)		3-421135	No Nozzle Boots			
7	1-232103	Nozzle Boot Bracket		6-421135	4 Nozzle Boots Per Side			
8	1-131381	(2) Keys	14	<u>Lower Door</u>				
9	1-419266	45" Raceway Cover		1-421137	Painted			
				2-421137	Stainless Steel			
10	<u>Outside Post Cover</u>		15	08-50621	5/16" Plain Washer			
	1-420310	Stainless Steel	16	10-51491	#14 x 1/2" Long P-K Hex Head Self Tapping Screw			
	2-420310	Painted	17	35-54742	5/16-18 x 5/8" Long M-F Hex Head Whiz-Lock Screw			
	3-420310	Painted "Black"	18	02-54752	5/16-18 M-F Flange Whiz-Lock Nut			
11	1-421067	Nozzle Boot Shroud	19	2-319566	Lock Bracket (Left)			
			20	1-225094	Decal (Unleaded)			

For complete Upper Access Door Assy order: (Includes items #2, 5, 8 & 13)

Painted

319498-2 No Nozzle Boots

319498-7 4 Nozzle Boot Per Side

Stainless Steel

319498-3 No Nozzle Boots

319498-8 4 Nozzle Boots Per Side

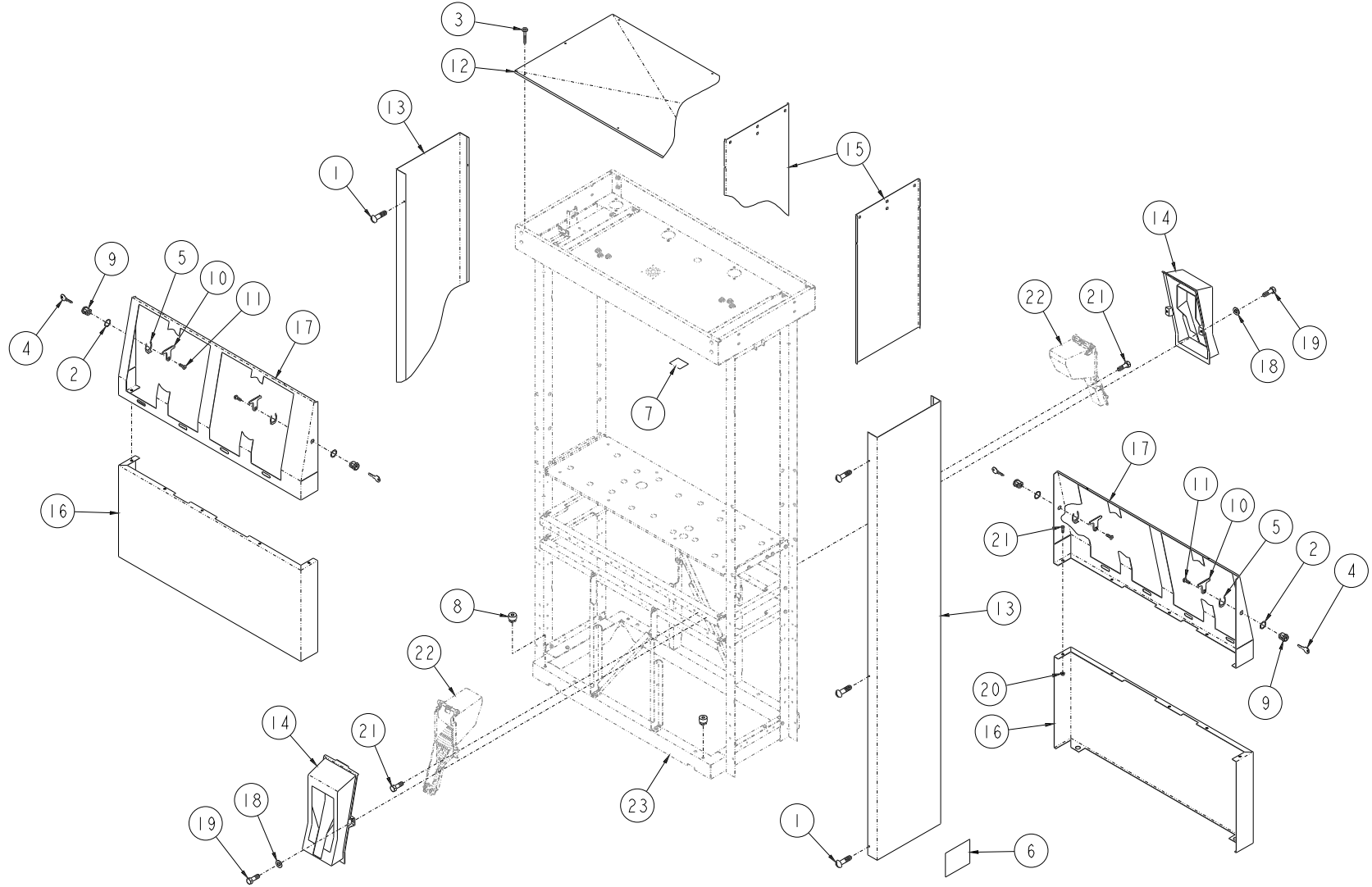
Reference for Tokheim internal use only:

319395 Trim Assembly

319397 Final Assembly

TRIM ASSEMBLY

H414/28B (2nd Design) & H412/24B
(2nd Design See Serial Break List 71144)



3-741594

TRIM ASSEMBLY H414B/H428B & H412B/H424B (2nd Design - see Serial Break List 71144)

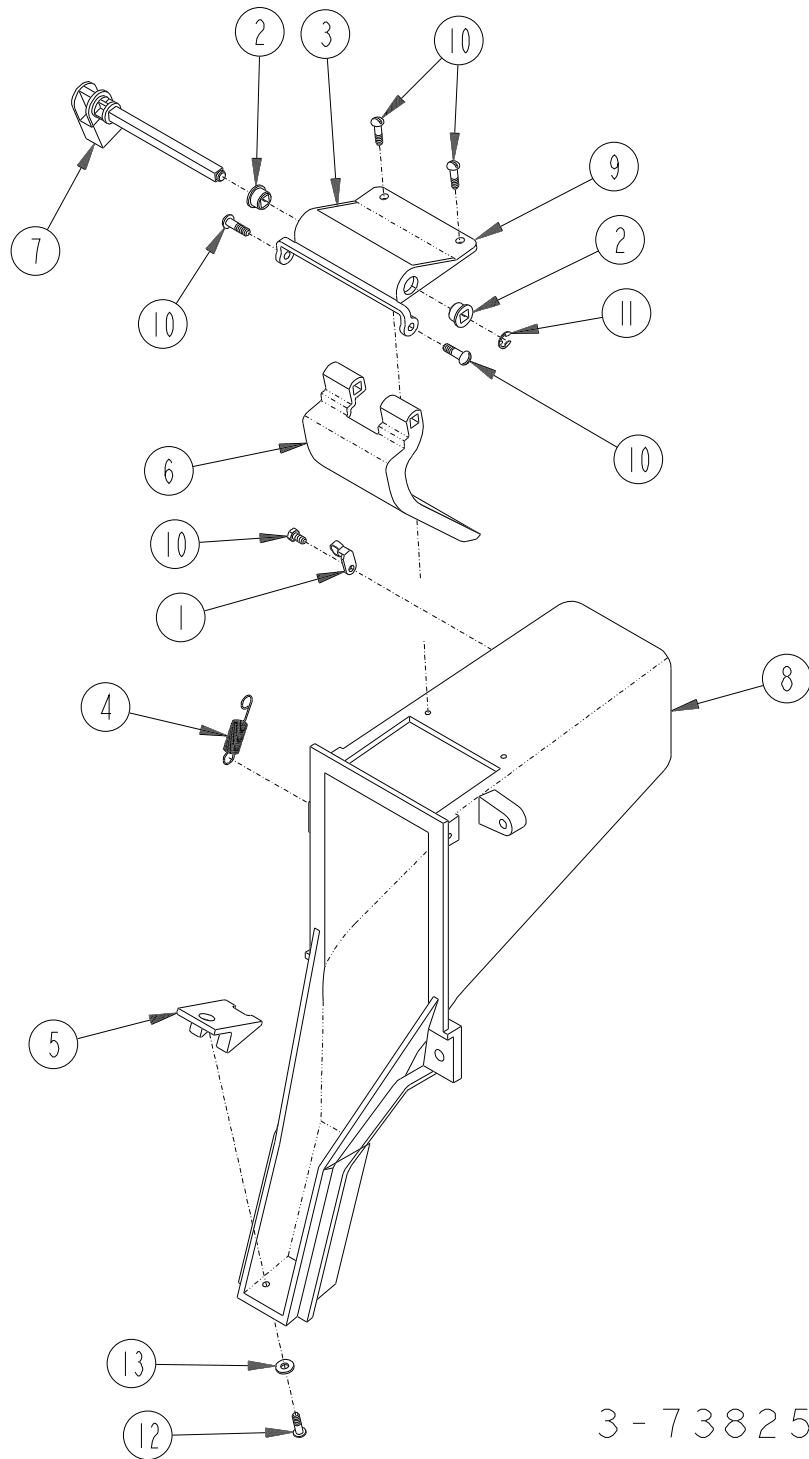
PREMIER Parts Manual • H Models
Form 4814A, Version 4.0 July-1996 Rev. 1/15/99

Tokheim Corporation
2-13

ITEM NO.	PART NO.	DESCRIPTION	ITEM NO.	PART NO.	DESCRIPTION	ITEM NO.	PART NO.	DESCRIPTION
1	#8-32 x Head Thread Cutting Screw		14	1-421067	Nozzle Boot Shroud (Black)		20-51491	5/16-18 x 3/4" Long P.K. Self Tapping Screw
	1-126964	3/8" Long Truss (Stainless Steel)						
	1-132769	1/2" Long Pan (Bright Annealed Stainless Steel)	15	<u>Inside Post Cover</u>		22	<u>For parts call out of Nozzle Boot Assembly see</u>	
	2-132769	1/2" Long Pan (Black Oxide)		1-421117	Stainless Steel		72240	2nd Design
2	2-127656	Lock Gasket		2-421117	Painted		72366	Lift Lever
3	1-131282	Seal Screw		3-421117	Painted "Black"		72552	3rd Design
4	1-131381	Keys (2 Each)	16	<u>Lower Door</u>		23	<u>For parts call out of Chassis Assembly see 741595</u>	
5	3-217160	Spring Clip		1-421623	Painted		<u>For complete Upper Access Door Assembly order:</u>	
6	1-225094	Decal (Unleaded)		2-421623	Stainless Steel		<u>(Includes Item #2, 4, 5, 9, 10, 11 & 17)</u>	
7	1-226268	Decalcomania					<u>Painted</u>	
8	232927-1	Grommet Kit	17	<u>Upper Access Door (Painted)</u>			421624-2	No Nozzle Boots
9	1-232358	Door Lock Assembly (Includes Item # 4, 5, 10 & 11)		3-421641	No Nozzle Boots		421624-7	4 Nozzle Boots Per Side
10	2-232358	Cam		5-421641	4 Nozzle Boots Per Side		421624-9	2 Nozzle Boots Per Side
11	3-232358	1/4" Screw With Shakeproof Lockwasher		9-421641	2 Nozzle Boots Per Side		<u>Stainless Steel</u>	
					<u>Upper Access Door (Stainless Steel)</u>		421624-3	No Nozzle Boots
12	<u>Raceway Cover</u>			4-421641	No Nozzle Boots		421624-8	4 Nozzle Boots Per Side
	1-419266	24" Wide Raceway		6-421641	4 Nozzle Boots Per Side		421624-10	2 Nozzle Boots Per Side
	1-420201	17" Wide Raceway		10-421641	2 Nozzle Boots Per Side			
	1-422491	20" Wide Raceway	18	08-50621	5/16" Plain Washer		<u>Reference for Tokheim internal use only:</u>	
13	<u>Outside Post Cover</u>			19	11-51491	5/16-18 x 1/2" Long P.K. Self Tapping Screw	319743	Trim Assembly
	1-420310	Stainless Steel		20	02-54752	5/16-18 M-F Flange Whiz-Lock Nut	319744	Final Assembly
	2-420310	Painted						
	3-420310	Painted "Black"	21	35-55132	5/16-18 x 5/8" Long M-F Flange Whiz Lock Screw			

NOZZLE BOOT ASSEMBLY

(1st Design See Serial Break List 71144)



3-73825

NOZZLE BOOT ASSEMBLY

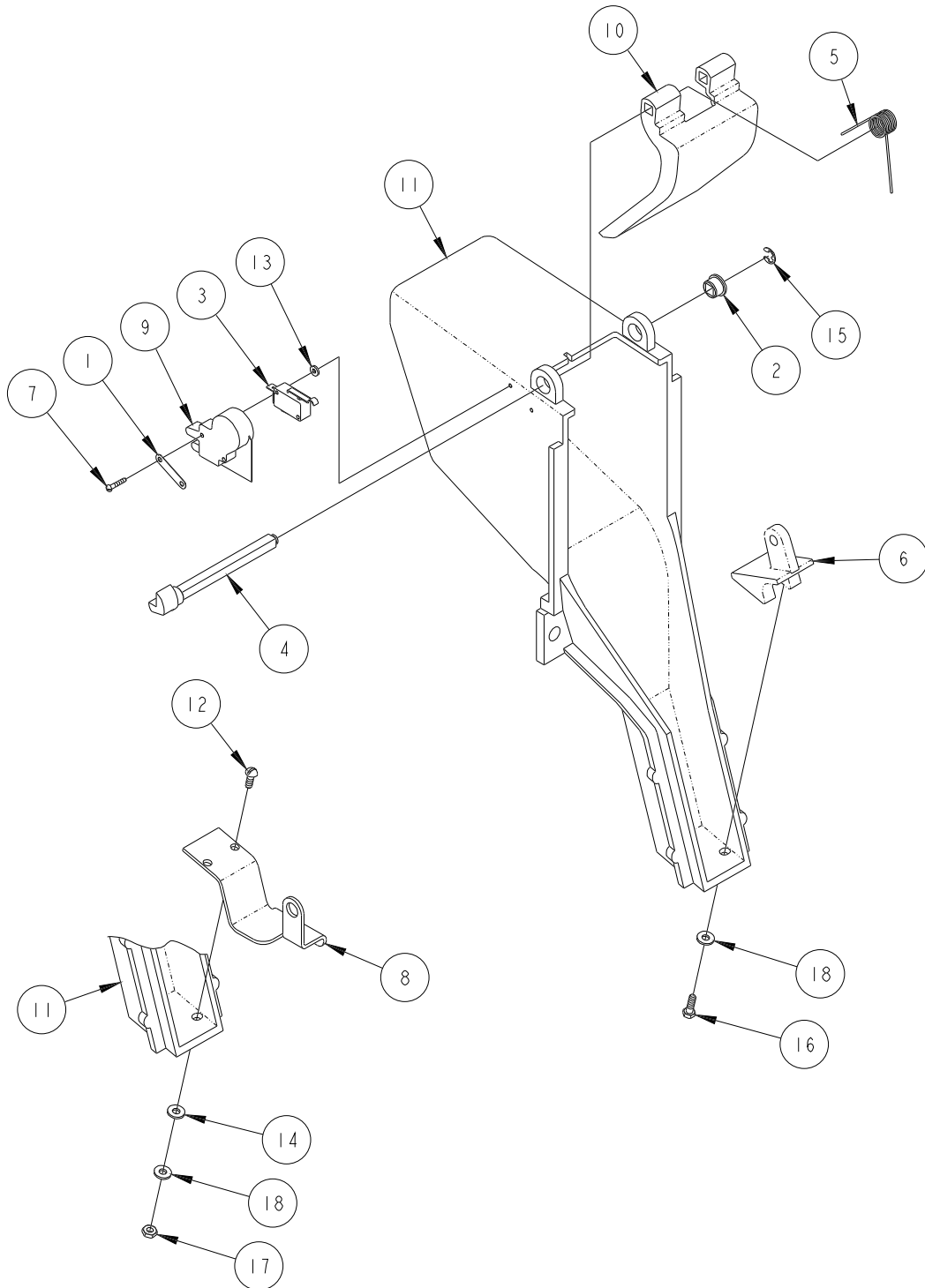
(1st Design - see Serial Break List 71144)

ITEM NO.	PART NO.	DESCRIPTION
1	4-228918	Cable Clamp
2	1-231835	Nozzle Boot Bearing
3	1-232113	Decal "Caution"
4	1-232125	Nozzle Boot Spring
5	232729-1	Lock Plate Kit (Includes Item #12 & 13)
6	1-320160	Nozzle Boot Flap
7	1-319448	Nozzle Boot Switch
8	232784-1	Complete Nozzle Boot Assembly
9	1-421051	Nozzle Boot Cap
10	09-51491	#10 x 1/2" Long P.K. Self Tapping Screw
11	12-52482	Truarc Retaining Ring
12	13-53532	#10-24 x 3/4" Long P.K. Hex Head Self Tapping Screw
13	05-50621	#10 Plain Washer

For complete Nozzle Boot Assembly order: 232784-1

NOZZLE BOOT ASSEMBLY

(2nd Design See Serial Break List 71144)



4-72240

NOZZLE EXTENSION

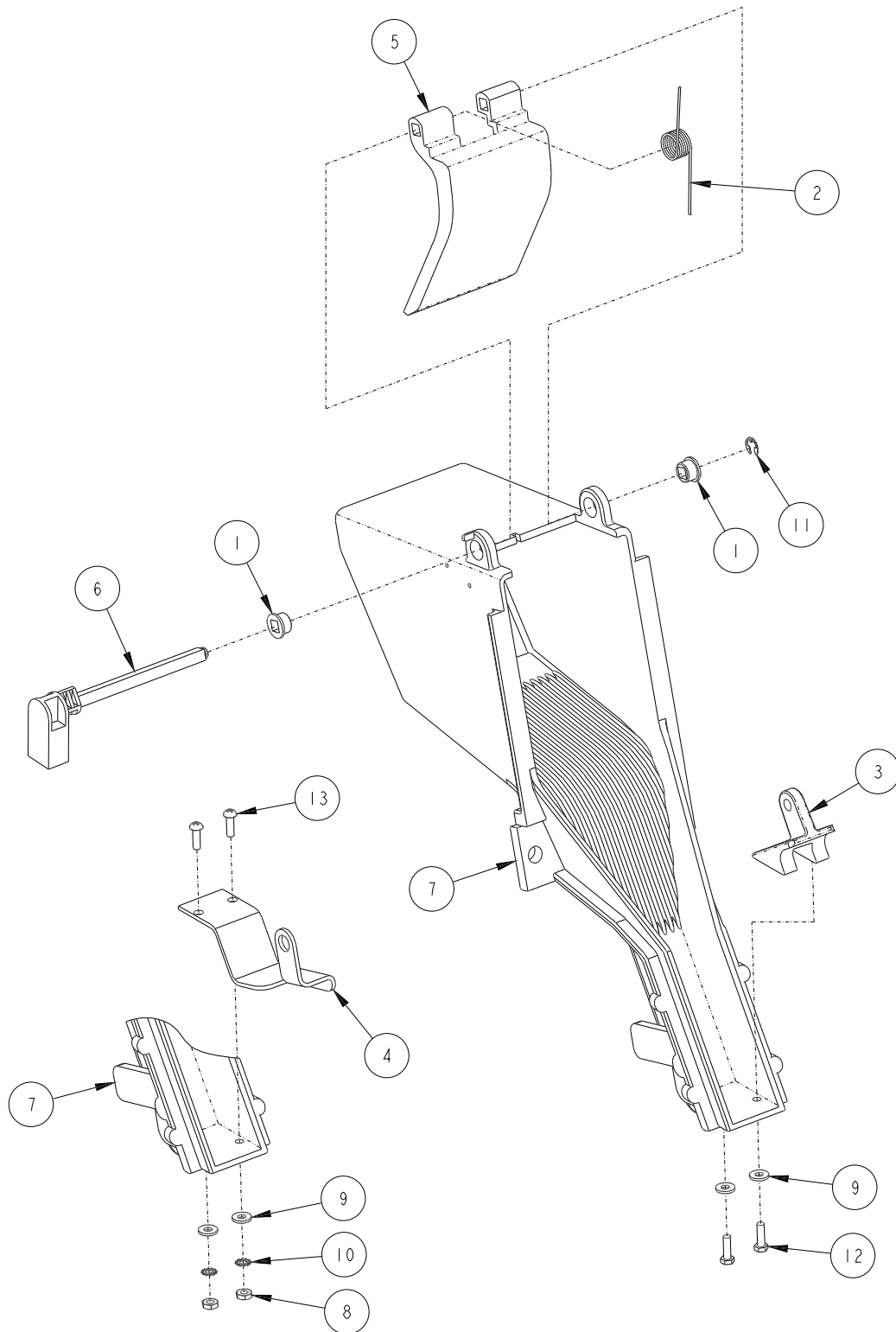
NOZZLE BOOT ASSEMBLY (2nd Design - see Serial Break List 71144)

ITEM NO.	PART NO.	DESCRIPTION
1	1-132842	Washer Strap
2	1-231835	Nozzle Boot Bearing
3	232729-5	Snap-Acting Sensor Switch Kit (Includes Item # 1, 7, 9 & 13)
4	1-232290	Nozzle Boot Shaft
5	1-232299	Torsion Spring
6	232729-1	Lock Plate Kit (Includes Item #16 & 18)
7	3-232848	#4-24 x 3/4" Long Phillips Pan Head Tapping Screw
8	232729-3	Nozzle Boot Service Kit Assembly (Extension) (Includes Items # 12, 14, 17 & 18)
9	232729-4	Nozzle Boot Switch Cover Kit (Includes Item # 7 & 13)
10	232729-2	Nozzle Boot Flap Kit
11	1-421526	Nozzle Boot
12	253-54911	#10-24 x 9/16" Long Pan Head Machine Screw
13	29-50602	#4 Special Washer
14	05-50622	#10 Plain Washer
15	12-52482	Truarc Retainer Ring
16	13-53532	#10-24 x 3/4" Long P.K. Hex Head Self Tapping Screw
17	05-50211	#10-24 Hex Nut
18	05-50761	#10 Shakeproof Lockwasher

For complete Nozzle Boot Assembly order: 422202-1

For complete Nozzle Extension order: 232729-3

NOZZLE BOOT ASSEMBLY
(3rd Design)



NOZZLE EXTENSION

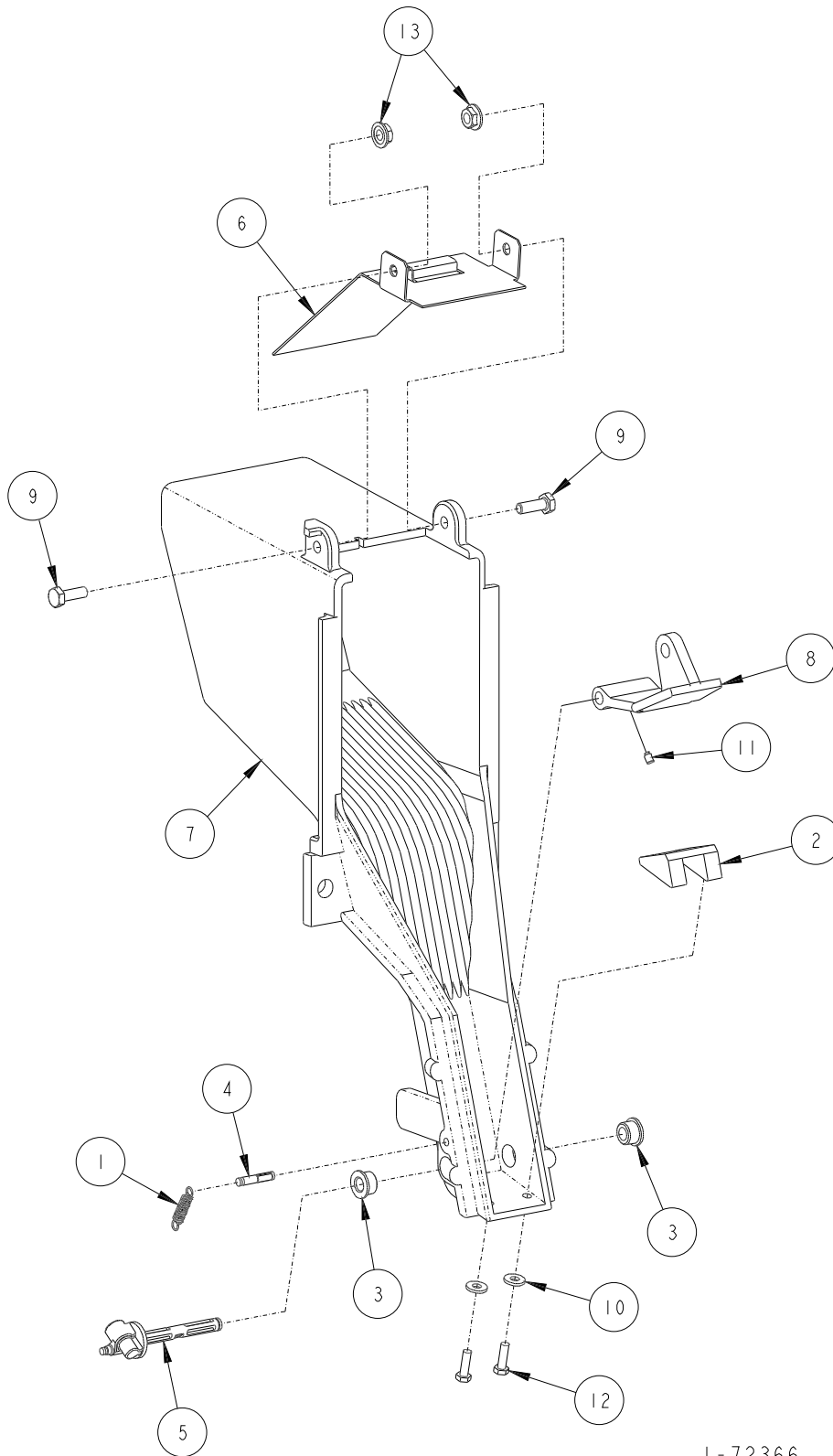
2-72552

NOZZLE BOOT ASSEMBLY (3rd Design)

ITEM NO.	PART NO.	DESCRIPTION
1	1-231835	Nozzle Boot Bearing
2	1-232299	Torsion Spring
3	C-232836	Lock Plate
4	232729-3	Nozzle Boot Service Kit Assembly (Extension) (Includes Items #8, 9, 10 & 13)
5	1-320160	Nozzle Boot Flap
6	1-320489	Nozzle Boot Mercury Switch
7	422202-1	Nozzle Boot Assembly
8	05-50211	#10-24 Hex Nut
9	05-50622	#10 Plain Washer
10	05-50761	#10 Shakeproof Lockwasher
11	12-52482	Truarc Retaining Ring
12	10-53532	#10-24 x 5/8" Long P-K Hex Head Self Tapping Screw
13	253-54911	#10-24 x 9/16" Long Pan Head Machine Screw

For complete Nozzle Boot Assembly order: 422202-1

LIFT LEVER NOZZLE BOOT ASSEMBLY



1-72366

LIFT LEVER NOZZLE BOOT ASSEMBLY

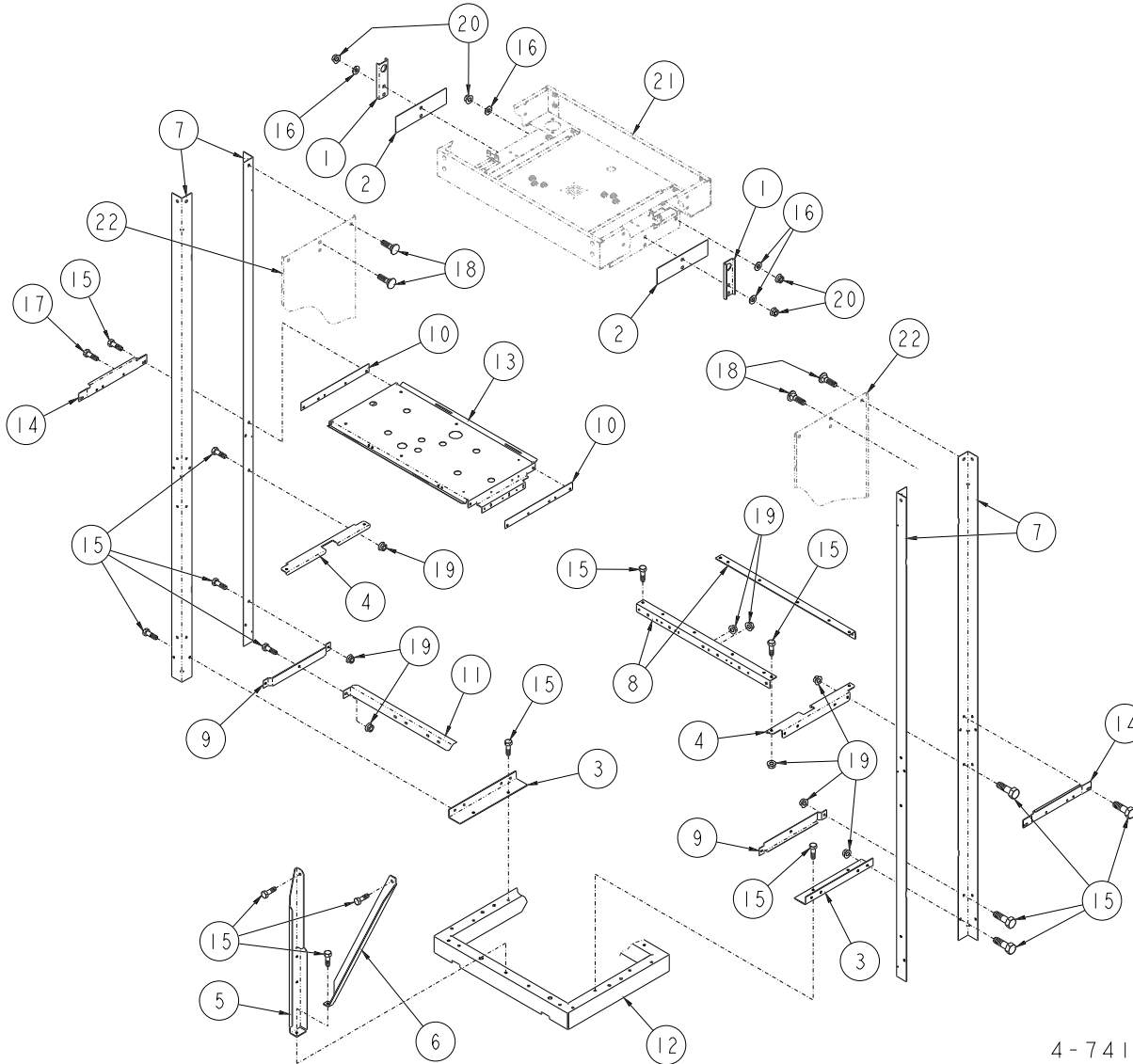
ITEM NO.	PART NO.	DESCRIPTION
1	1-132827	Extension Spring
2	2-231868	Lock Plate
3	1-232773	Nozzle Boot Bearing
4	1-232897	Pin Grooved
5	1-320522	Mercury Switch
6	1-320633	Nozzle Restraint Bracket
7	422202-2	Nozzle Boot Assembly
8	1-422259	Lift Lever
9	03-50361	1/4-20 x 3/4" Long Hex Head Cap Screw
10	05-50622	#10 Plain Washer
11	303-50757	#8-32 x 1/4" Long Set Screw
12	10-53532	#10-24 x 5/8" Long P-K Hex Head Self Tapping Screw
13	01-54752	1/4-20 M-F Flange Whiz Lock Nut

Lift to Start Kit order: 233081-1

For complete Nozzle Boot Assembly order: 422202-2

CHASSIS ASSEMBLY

H311B, H312B, H322B & H324B
(1st Design See Serial Break List 71144)



4-741567

CHASSIS ASSEMBLY - H311B, H312B, H322B & H324B (1st Design - see Serial Break List 71144)

PREMIER Parts Manual • H Models
Form 4814A, Version 4.0 July 1996 Rev. 1/15/99

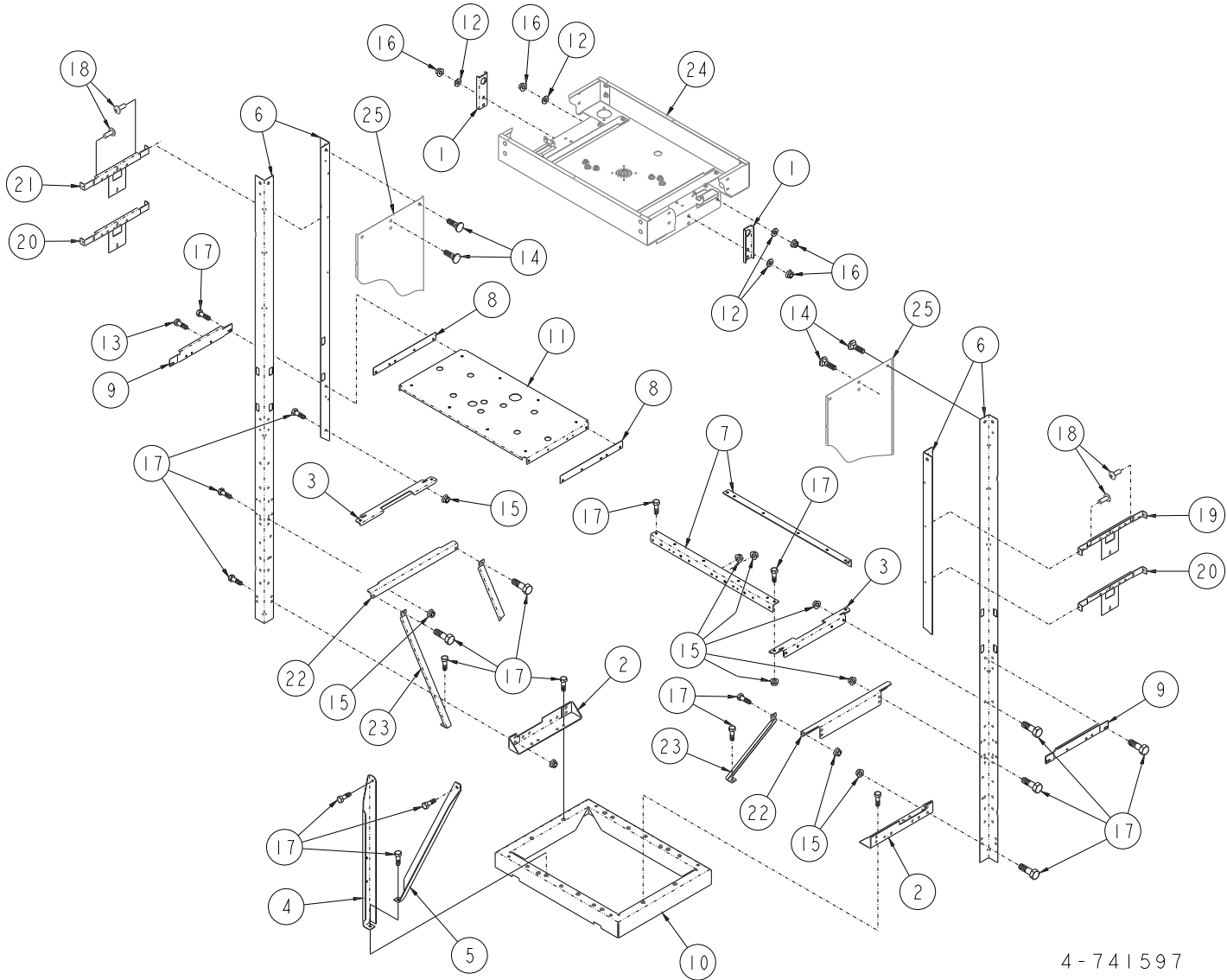
Tokheim Corporation
2-23

ITEM NO.	PART NO.	DESCRIPTION
1	1-229655	Lift Bracket
2	1-230194	Spacer
3	1-319364	Corner Post Support
4	1-319365	Meter Support Bracket
5	1-319370	Vertical Support
6	<u>Cross Brace</u>	
	1-319373	Remote Control System
	1-320166	Suction System
7	<u>Post Corner</u>	
	1-319375	Remote Control
	2-319375	Suction
8	319379-2	Meter Support Weld Assembly
9	1-319385	Inlet Stabilizer Brace (RC Only)
10	1-319583	Seal
11	1-319612	Inlet Stabilizer (RC Only)
12	418037-2	Base Weld Assembly
13	4-421088	Barrier Plate
14	1-421242	Retainer
15	35-55132	5/16-18 x 5/8" Long M-F Flange Whiz-Lock Screw
16	04-50611	3/8" Plate Washer

ITEM NO.	PART NO.	DESCRIPTION
17	10-51491	#14 x 1/2" Long P.K. Self Tapping Screw
18	<u>3/8-16 x 1" Long Carriage Bolt</u>	
	64-52191	Black
	64-52198	Cad Plate
19	02-54752	5/16-18 M-F Flange Whiz Lock Nut
20	04-54752	3/8-16 M-F Flange Whiz-Lock Nut
21	<u>For parts call out of Raceway Assembly see:</u>	
	72218	Standard
	72365	With Bottom Access
22	<u>For parts call out of Trim Assembly see: 741568</u>	
	<u>Reference for Tokheim internal use only:</u>	
	319619	Chassis Assembly
	319625	Raceway Assembly
	319635	Trim Assembly

CHASSIS ASSEMBLY

H311B, H312B, H322B & H324B
(2nd Design See Serial Break List 71144)



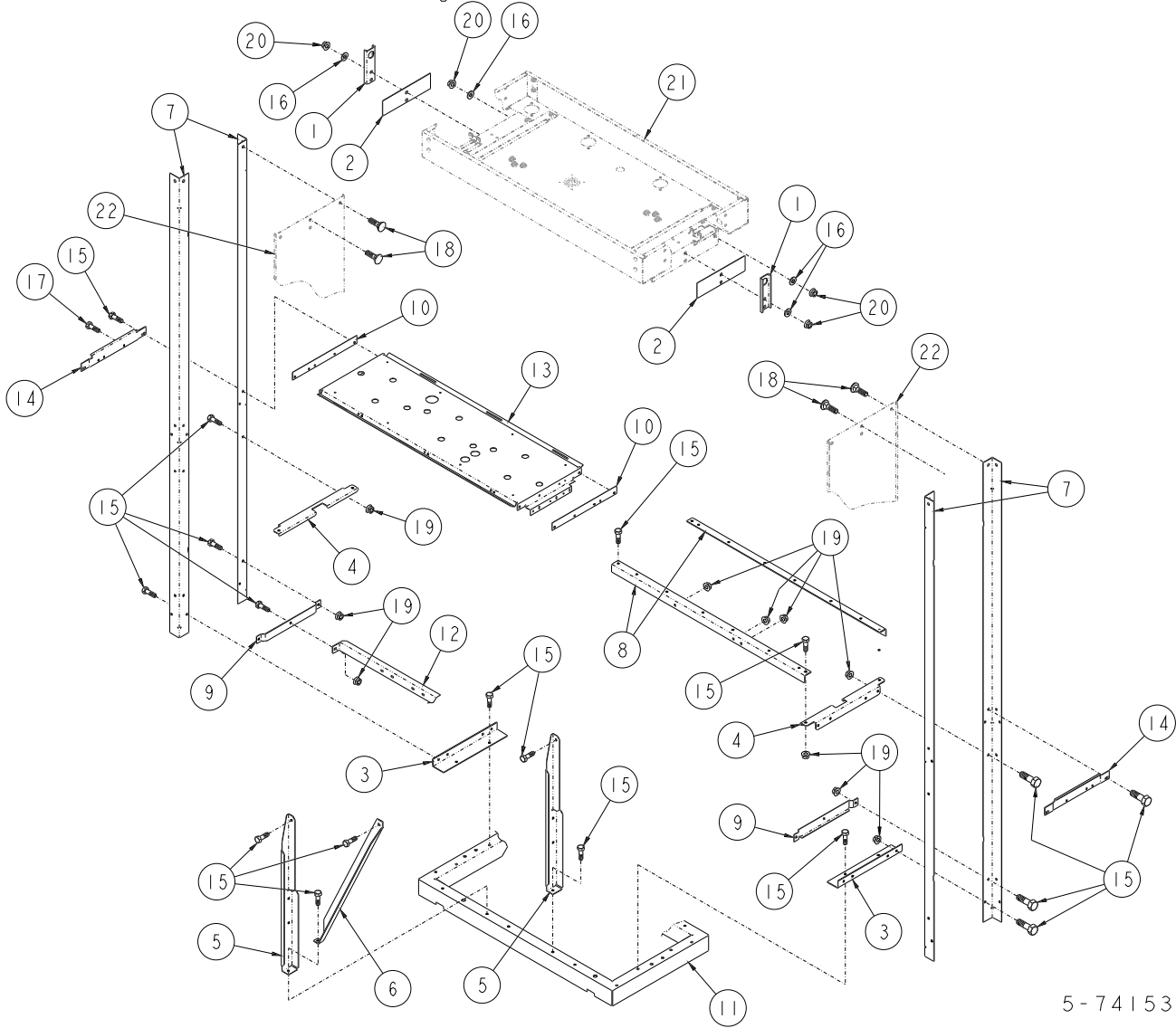
4-741597

CHASSIS ASSEMBLY - H311B, H312B, H322B & H324B (2nd Design - see Serial Break List 71144)

ITEM NO.	PART NO.	DESCRIPTION	ITEM NO.	PART NO.	DESCRIPTION
1	1-229655	Lift Bracket	12	04-50611	3/8" Plate Washer
2	1-320873	Corner Post Support	13	10-51491	#14 x 1/2" Long P.K. Self Tapping Screw
3	1-319365	Meter Support Bracket	14	<u>3/8-16 x 1" Long Carriage Bolt</u>	
4	<u>Vertical Support</u>		64-52191	Black	
	1-319370	Suction System	64-52198	Cad Plate	
	1-319798	Remote Control System	15	02-54752	5/16-18 M-F Flange Whiz Lock Nut
5	<u>Cross Brace</u>		16	04-54752	3/8-16 M-F Flange Whiz-Lock Nut
	1-319373	Remote Control System	17	35-55132	5/16-18 x 5/8" Long M-F Flange Whiz Lock Screw
	1-320166	Suction System	18	2-230689	#6 x 3/8" Phillips Head Self Tapping Screw
6	<u>Post Corner</u>		19	1-233504	Mounting Bracket (Remote, Suction & 20" Raceway)
	1-319375	Remote Control	20	1-233504	Mounting Bracket (Suction)
	2-319375	Suction System	21	1-233504	Mounting Bracket (Suction & 20" Raceway)
7	319379-2	Meter Support Weld Assembly	22	1-320871	Support Brace
	1-319634	Meter Support	23	1-320936	Support Brace
8	1-319583	Seal	24	<u>For parts call out of Raceway Assembly see:</u>	
9	1-421242	Retainer	72218	Standard	
10	421712-1	Base & Insert Assembly	72365	With Bottom Access	
11	<u>Barrier Plate</u>		25	<u>For parts call out of Trim Assembly see: 741596.</u>	
	4-421627	All Models Except Listed Below	<u>Reference for Tokheim internal use only:</u>		
	5-421627	H311B-RB3/5 & H322B-RB3/5	319810 & 320707 Chassis Assembly		
			319811 Raceway Assembly		
			319821 Trim Assembly		

CHASSIS ASSEMBLY

H411B, H413B, H422B & H426B
(1st Design See Serial Break List 71144)



5-741534

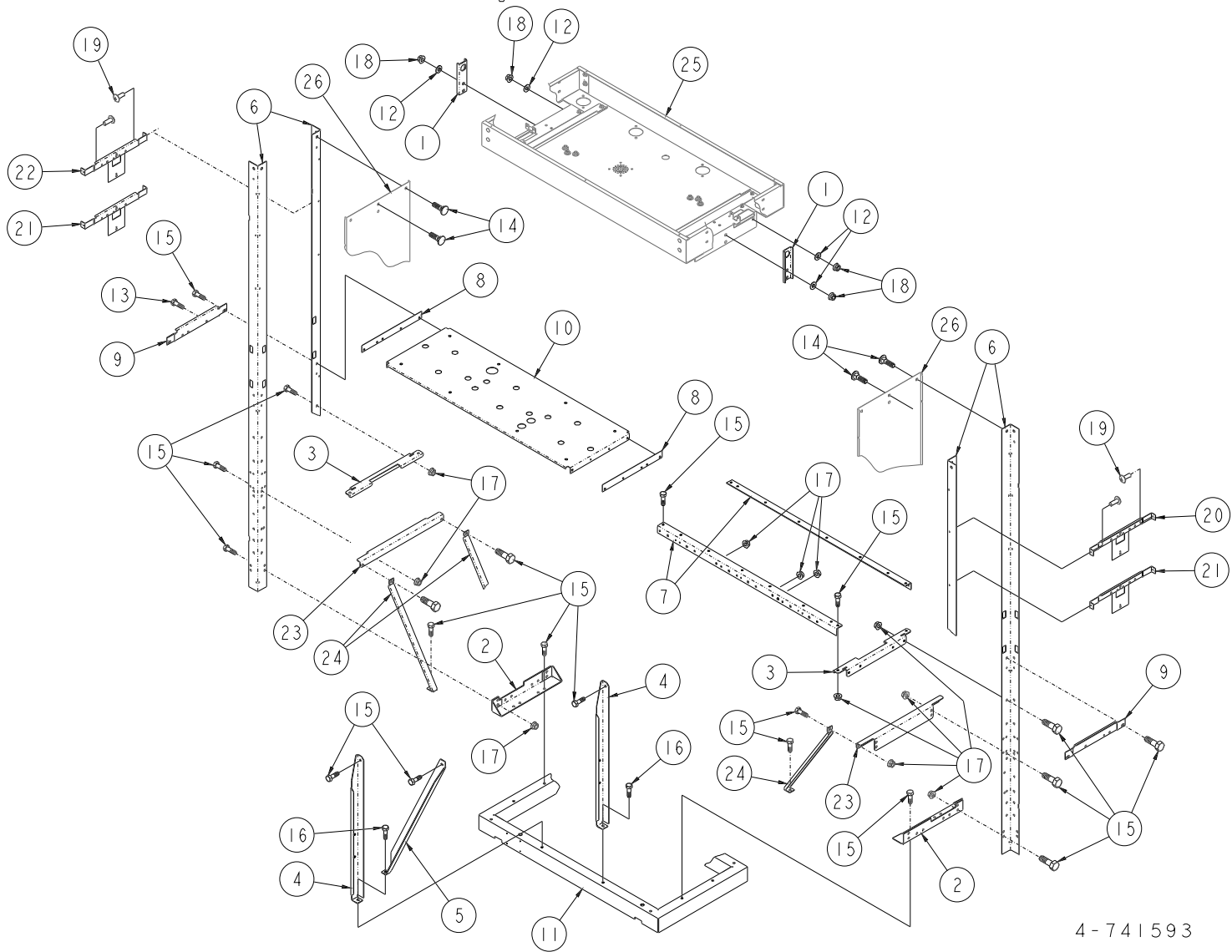
CHASSIS ASSEMBLY - H411B, H413B, H422B & H426B (1st Design - see Serial Break List 71144)

ITEM NO.	PART NO.	DESCRIPTION
1	1-229655	Lift Bracket
2	1-230194	Spacer
3	1-319364	Corner Post Support
4	1-319365	Meter Support Bracket
5	1-319370	Vertical Support
6	Cross Brace	
	1-319373	Remote Control System
	1-320166	Suction System
7	<u>Post Corner</u>	
	1-319375	Remote Control
	2-319375	Suction
8	319379-1	Meter Support Weld Assembly
9	1-319385	Inlet Stabilizer Brace (RC Only)
10	1-319583	Seal
11	418042-2	Base Weld Assembly
12	1-420918	Inlet Stabilizer (RC Only)
13	<u>Barrier Plate</u>	
	1-421088	All Except Electronic Blender
	2-421088	Electronic Blender
14	1-421242	Retainer
15	35-54742	5/16-18 x 5/8" Long M-F Hex Head Whiz-Lock Screw

ITEM NO.	PART NO.	DESCRIPTION
16	04-50611	3/8" Plate Washer
17	10-51491	#14 x 1/2" Long P.K. Self Tapping Screw
18	<u>3/8-16 x 1" Long Carriage Bolt</u>	
	64-52191	Black
	64-52198	Cad Plate
19	02-54752	5/16-18 M-F Flange Whiz Lock Nut
20	04-54752	3/8-16 M-F Flange Whiz-Lock Nut
21	<u>For parts call out of Raceway Assembly see:</u>	
	72218	Standard
	72365	With Bottom Access
22	<u>For parts call out of Trim Assembly see: 741535</u>	
	<u>Reference for Tokheim internal use only:</u>	
	319394	Chassis Assembly
	319395	Trim Assembly
	319396	Raceway Assembly

CHASSIS ASSEMBLY

H411B, H413B, H422B, H426B, H722B & H724B
(2nd Design See Serial Break List 71144)



4-741593

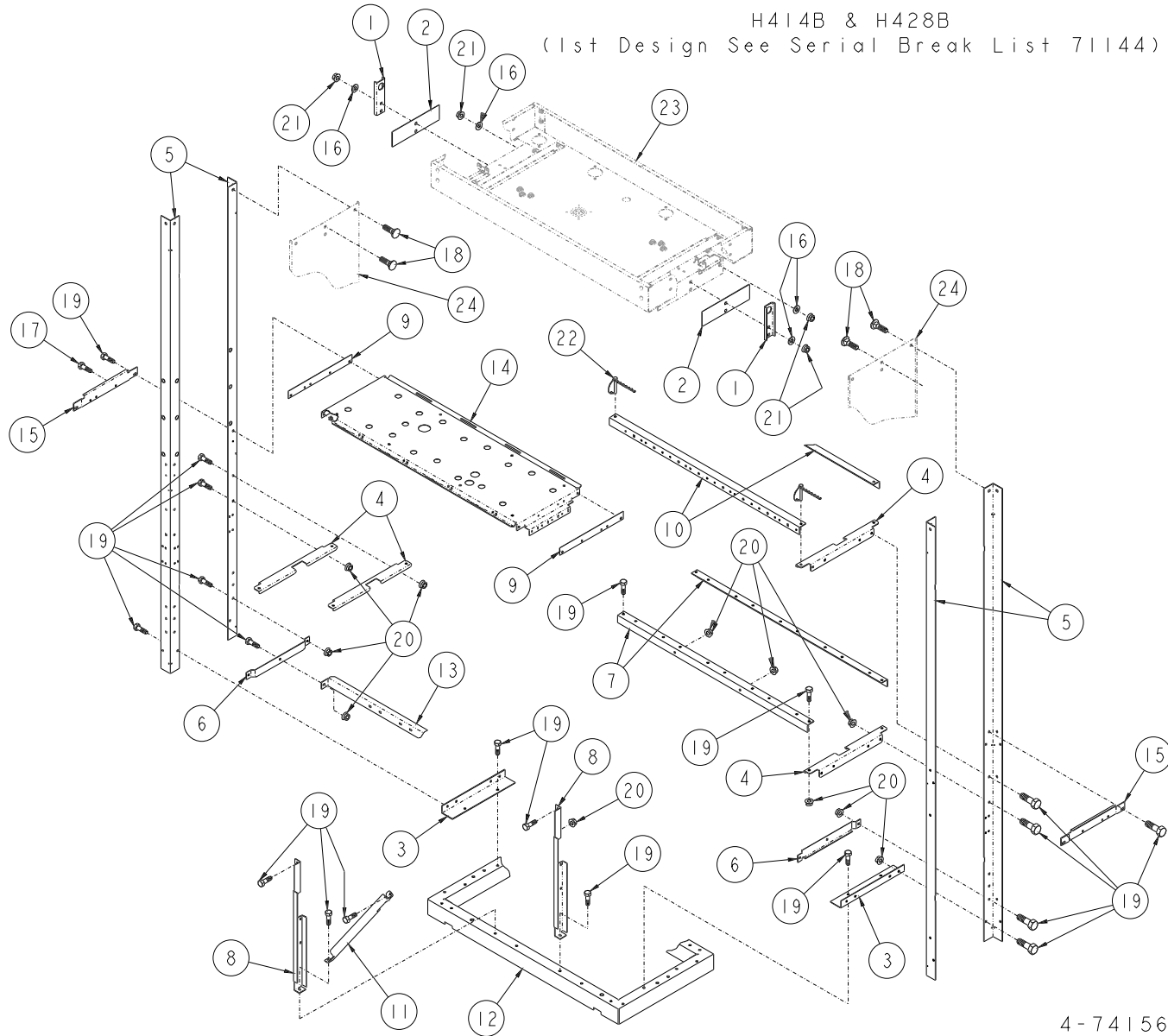
CHASSIS ASSEMBLY - H411B, H413B, H422B, H426B, H722B & H724B (2nd Design - see Serial Break List 71144)

ITEM NO.	PART NO.	DESCRIPTION	ITEM NO.	PART NO.	DESCRIPTION
1	1-229655	Lift Bracket	14	<u>3/8-16 x 1" Long Carriage Bolt</u>	
2	1-320873	Corner Post Support	64-52191	Black	
3	1-319365	Meter Support Bracket	64-52198	Cad Plate	
4	<u>Vertical Support</u>		15	35-54742	5/16-18 x 5/8" Long M-F Hex Head Whiz-Lock Screw
	1-319370	Suction System	16	<u>5/16-18 x M-F Hex Head Whiz Lock Screw</u>	
	1-319798	Remote Control System	35-54742	5/8" Long (Remote Control System)	
5	<u>Cross Brace</u>		38-54742	1" Long (Suction System)	
	1-319373	Remote Control System	17	02-54752	5/16-18 M-F Flange Whiz Lock Nut
	1-320166	Suction System	18	04-54752	3/8-16 M-F Flange Whiz-Lock Nut
6	<u>Post Corner</u>		19	2-230689	#6 x 3/8" Long Phillips Head Self Tapping Screw
	1-319375	Remote Control	20	1-233504	Mounting Bracket (Remote, Suction & 20" Raceway)
	2-319375	Suction	21	1-233504	Mounting Bracket (Suction Only)
7	319379-1	Meter Support Weld Assembly	22	1-233504	Mounting Bracket (Suction & 20" Raceway)
	1-319372	Meter Support	23	1-320871	Support Bracket
8	1-319583	Seal	24	1-320936	Support Bracket
9	1-421242	Retainer	25	<u>For parts call out of Raceway Assembly see:</u>	
10	<u>Barrier Plate</u>		72218	Standard	
	1-421627	All Except Electronic Blender	72365	With Bottom Access	
	2-421627	Electronic Blender	26	<u>For parts call out of Trim Assembly see: 741592</u>	
11	421660-1	Base Weld Assembly		<u>Reference for Tokheim internal use only:</u>	
12	04-50611	3/8" Plate Washer	319741	Chassis Assembly	
13	10-51491	#14 x 1/2" Long P.K. Self Tapping Screw	319742	Raceway Assembly	
			319743	Trim Assembly	

CHASSIS ASSEMBLY

H414B & H428B

(1st Design See Serial Break List 71144)



4-741562

CHASSIS ASSEMBLY - H414B & H428B (1st Design - see Serial Break List 71144)

ITEM NO.	PART NO.	DESCRIPTION
1	1-229655	Lift Bracket
2	1-230194	Spacer
3	1-319364	Corner Post Support
4	1-319365	Meter Support Bracket
5	1-319375	Post Corner
6	1-319385	Inlet Stabilizer Brace
7	1-319580	Meter Support
8	1-319581	Vertical Support
9	1-319583	Seal
10	319585-1	Boot Support Weld Assembly
11	1-319587	Cross Brace
12	418042-2	Base Weld Assembly
13	1-420918	Inlet Stabilizer
14	3-421088	Barrier Plate
15	1-421242	Retainer
16	04-50611	3/8" Plate Washer
17	10-51491	#14 x 1/2" Long P.K. Self Tapping Screw
18	<u>3/8-16 x 1" Long Carriage Bolt</u>	
	64-52191	Black
	64-52198	Cad Plate
19	35-54742	5/16-18 x 5/8" Long M-F Hex Head Whiz-Lock Screw

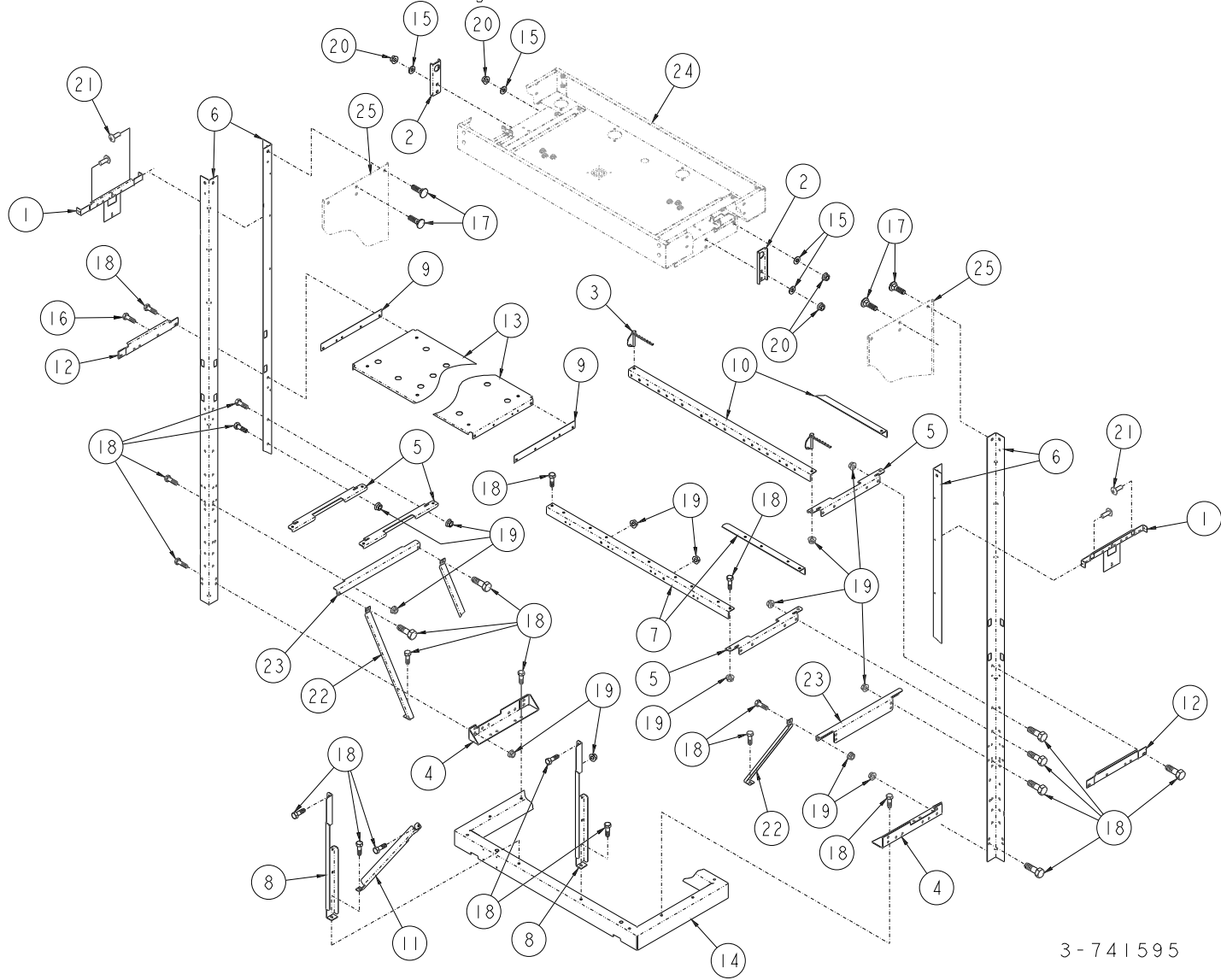
ITEM NO.	PART NO.	DESCRIPTION
20	02-54752	5/16-18 M-F Flange Whiz Lock Nut
21	04-54752	3/8-16 M-F Flange Whiz-Lock Nut
22	232297-1	Pin-Lock & Chain Assembly
23	<u>For parts call out of Raceway Assembly see:</u>	
	72218	Standard
	72365	With Bottom Access
24	<u>For parts call out of Trim Assembly see: 741563.</u>	

Reference for Tokheim internal use only:

319394	Chassis Assembly
319395	Trim Assembly
319396	Raceway Assembly

CHASSIS ASSEMBLY

H414/28B (2nd Design) & H412/24B
(2nd Design See Serial Break List 71144)

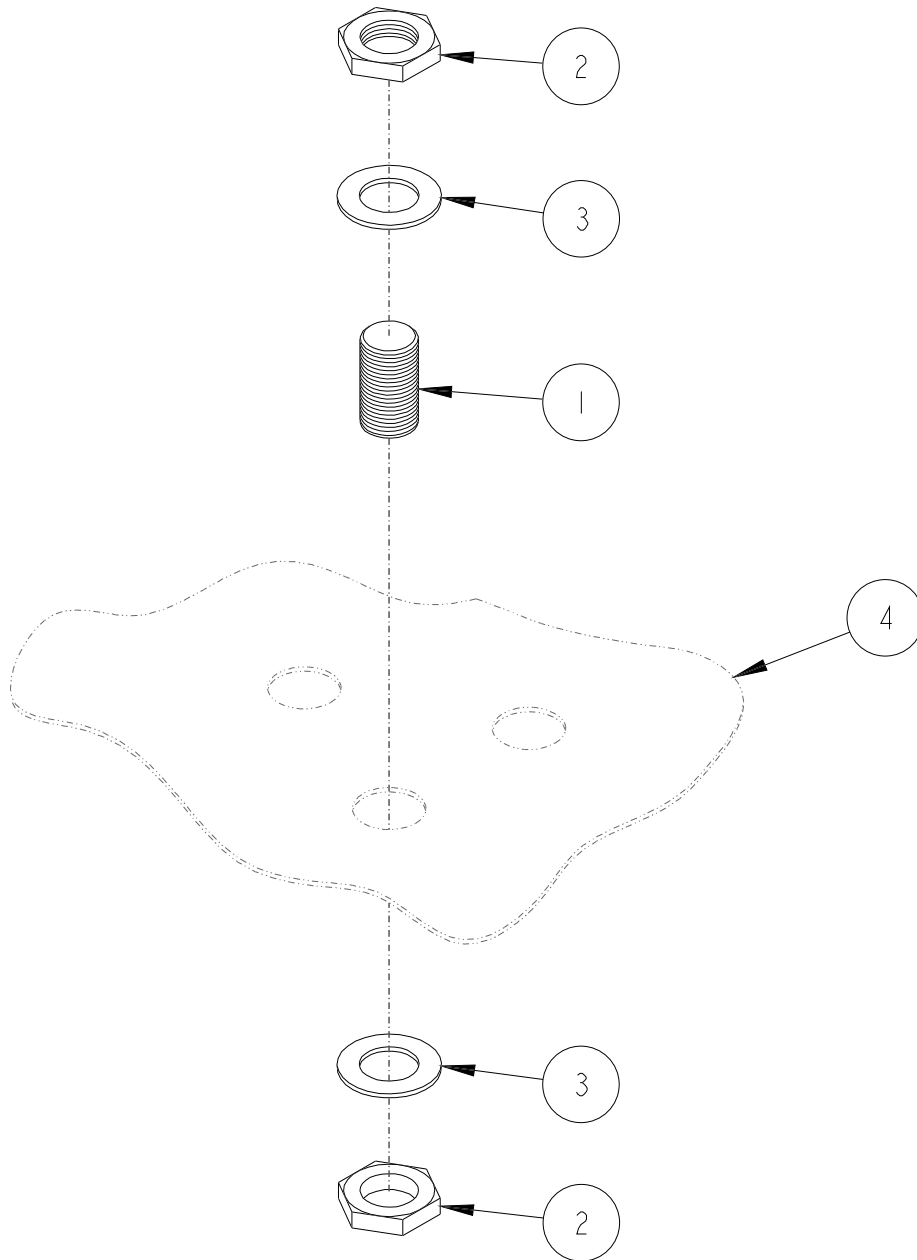


3-741595

CHASSIS ASSEMBLY - H414B & H428B (2nd Design - see Serial Break List 71144)

ITEM NO.	PART NO.	DESCRIPTION	ITEM NO.	PART NO.	DESCRIPTION
1	1-233504	Mounting Bracket	17	<u>3/8-16 x 1" Long Carriage Bolt</u>	
2	1-229655	Lift Bracket		64-52191	Black
3	232297-1	Pin Lock & Chain Assembly (For Parkway side only use)		64-52198	Cad Plate
	35-54742	5/16-18 x 5/8" Long M-F Hex Head Whiz Lock Screw	18	35-54742	5/16-18 x 5/8" Long M-F Hex Head Whiz-Lock Screw
	02-54742	5-16-18 M-F Flange Whiz Lock Nut	19	02-54752	5/16-18 M-F Flange Whiz Lock Nut
4	1-320873	Corner Post Support	20	04-54752	3/8-16 M-F Flange Whiz-Lock Nut
5	1-319365	Meter Support Bracket	21	2-230689	#6 x 3/8" Long Phillips Head Self Tapping Screw
6	1-319375	Post Corner	22	1-320871	Support Brace
7	1-319580	Meter Support	23	1-320936	Support Brace
8	1-319581	Vertical Support	24	<u>For parts call out of Raceway Assembly see:</u>	
9	1-319583	Seal		72218	Standard
10	319585-1	Boot Support Weld Assembly		72365	With Bottom Access
11	1-319587	Cross Brace	25	<u>For parts call out of Trim Assembly see: 741594</u>	
12	1-421242	Retainer		<u>Reference for Tokheim internal use only:</u>	
13	3-421627	Barrier Plate		319741	Chassis Assembly
14	421660-1	Base Weld Assembly		319742	Raceway Assembly
15	04-50611	3/8" Plate Washer		319743	Trim Assembly
16	10-51491	#14 x 1/2" Long P.K. Self Tapping Screw			

PREMIER BARRIER PLUG

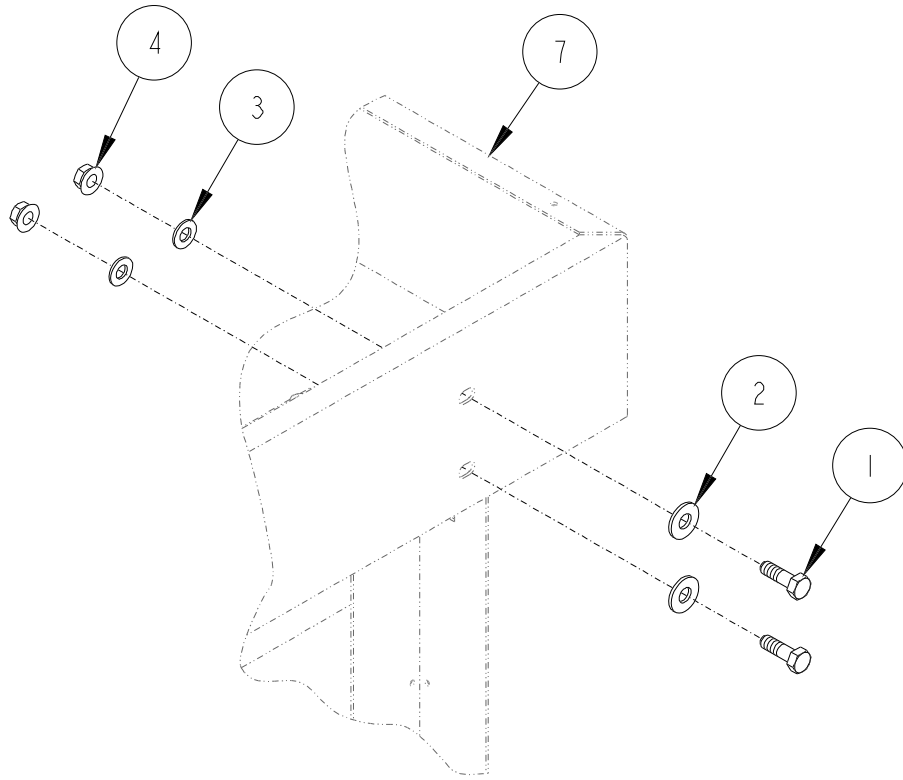


2-72275

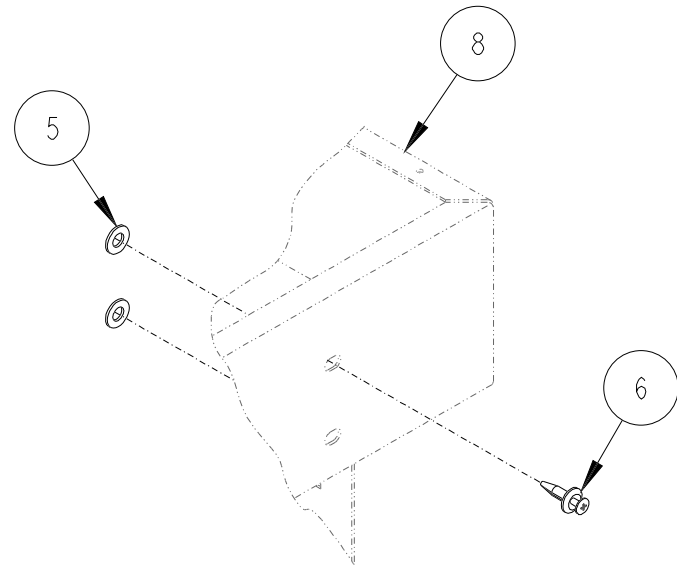
PREMIER BARRIER PLUG

ITEM NO.	PART NO.	DESCRIPTION
1	<u>Conduit Hole Plug</u>	
	1-228645	
	2-228645	
2	<u>Conduit Nut</u>	
	1-130590	
	1-131470	
3	<u>Conduit Washer</u>	
	1-131463	
	1-132715	
4	<u>For parts call out of Chassis Assembly see:</u>	
	741567	H311B, H312B, H322B & H324B (1st Design)
	741597	H311B, H312B, H322B & H324B (2nd Design)
	741534	H411B, H413B, H422B & H426B (1st Design)
	741593	H411B, H413B, H422B & H426B (2nd Design)
	741562	H414B & H428B (1st Design)
	741595	H414B & H428B (2nd Design) & H412B & H424B

RACEWAY WITHOUT VALANCE ASSEMBLY



1st Design



2nd Design

See Serial Break List 71144

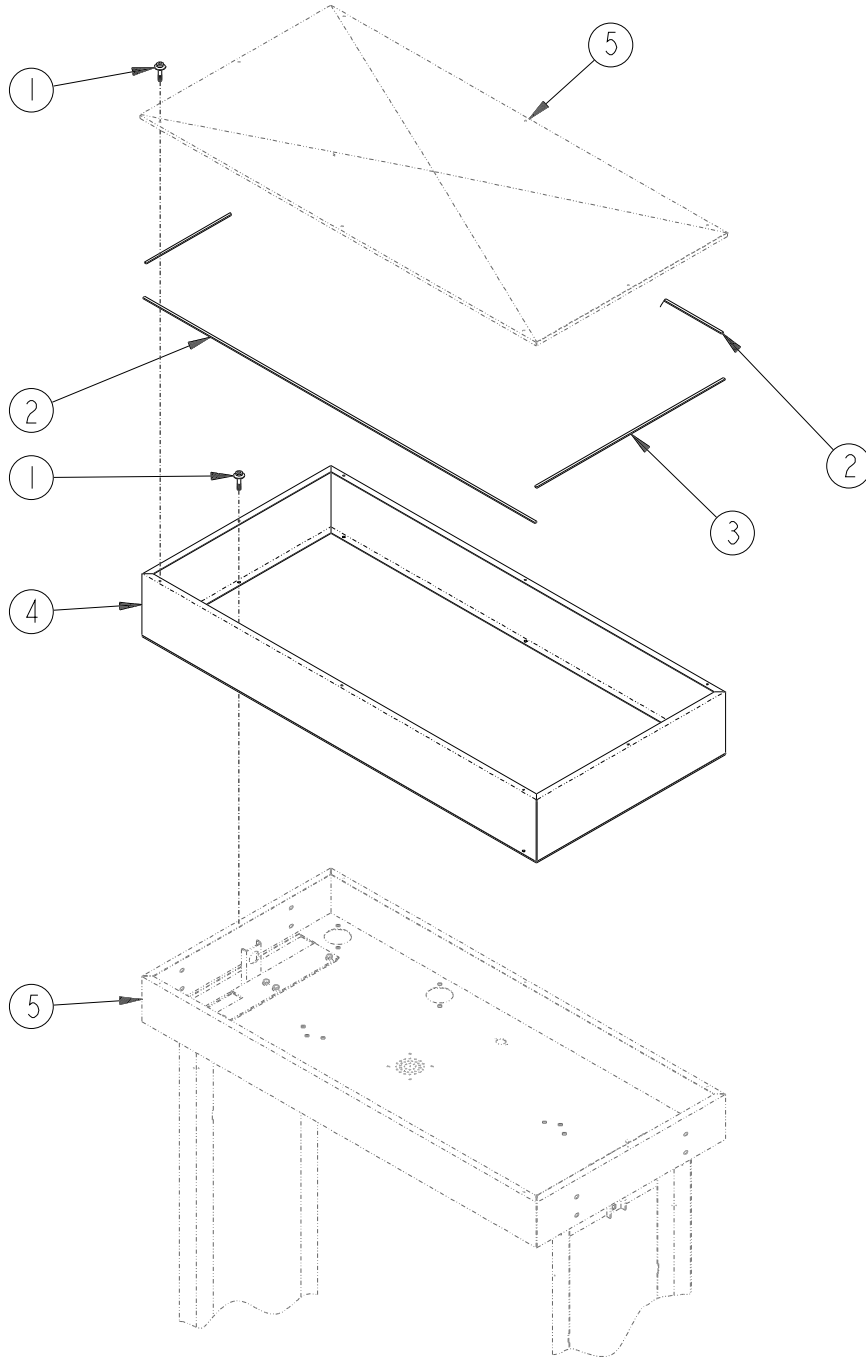
3-72215

RACEWAY WITHOUT VALANCE ASSEMBLY

ITEM NO.	PART NO.	DESCRIPTION
1	1-230958	5/16-18 x 3/4" Long Hex Head Cap Screw
2	03-50622	5/16" Plate Washer
3	11-50622	1/2" Plain Washer
4	02-54752	5/16-18 M-F Flange Whiz Lock Nut
5	1-114438	Washer
6	1-232311	Tuflok Screw
7	<u>Chassis Assembly (1st Design)</u>	
	741567	H311B, H312B, H322B & H324B
	741534	H411B, H413B, H422B & H426B
	741562	H414B & H428B
8	<u>Chassis Assembly (2nd Design)</u>	
	741597	H311B, H312B, H322B & H324B
	741593	H411B, H413B, H422B & H426B
	741595	H414B & H428B (2nd Design) & H412B & H424

RACEWAY EXTENSION ASSEMBLY

H413B-R-VI & H426B-R-VI

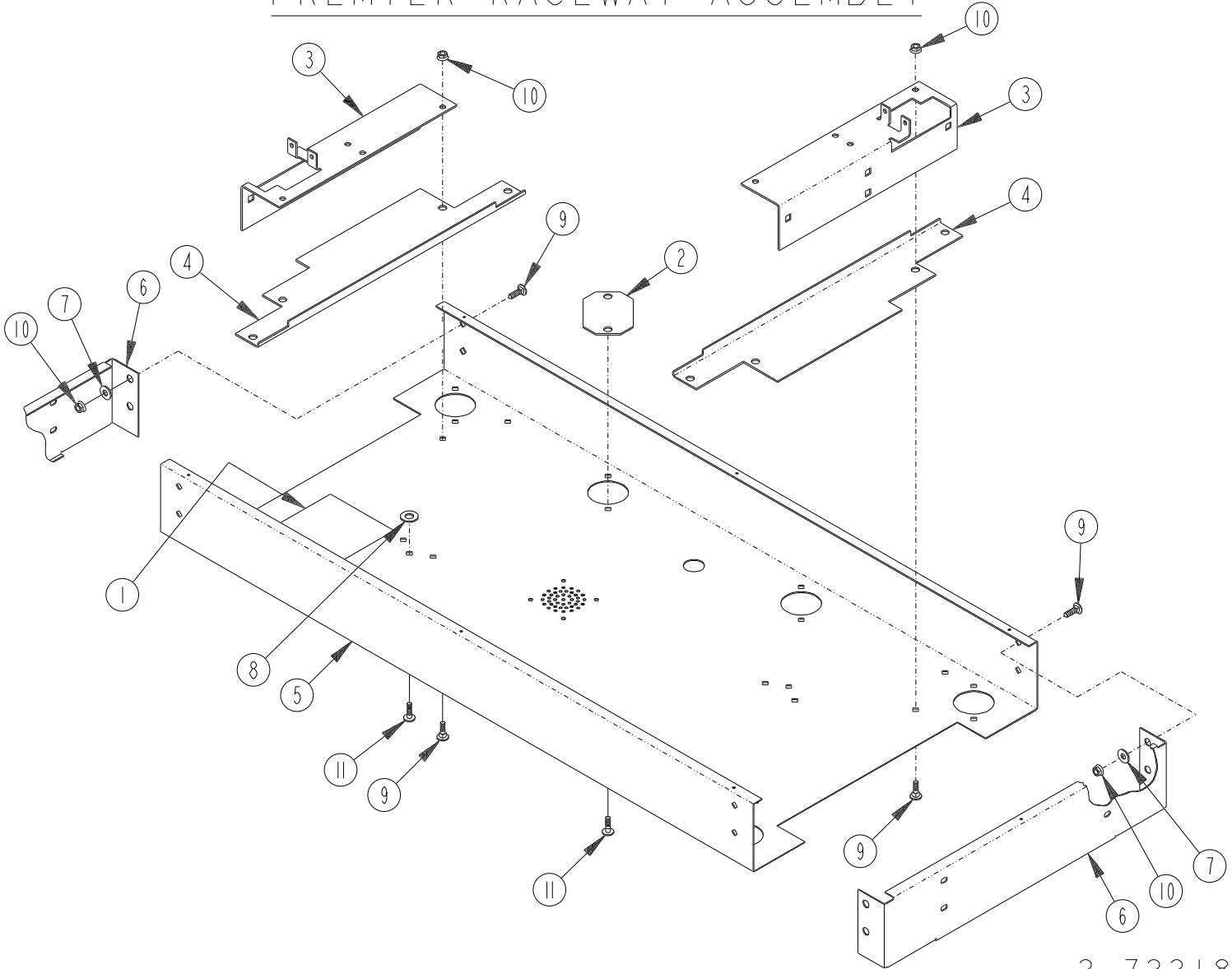


3 - 73857

RACEWAY EXTENSION ASSEMBLY

ITEM NO.	PART NO.	DESCRIPTION
1	1-131282	Seal Screw
2	27-317638	Cushion (49-3/8" Long)
3	28-317638	Cushion (23-7/8" Long)
4	420777-2	Raceway Extension Assembly (Includes Item #2 & 3)
5	<u>For parts call out of Chassis Assembly see:</u>	
	741534	H411B, H413B, H422B & H426B (1st Design)
	741593	H411B, H413B, H422B & H426B (2nd Design)

PREMIER RACEWAY ASSEMBLY



2-72218

PREMIER RACEWAY ASSEMBLY

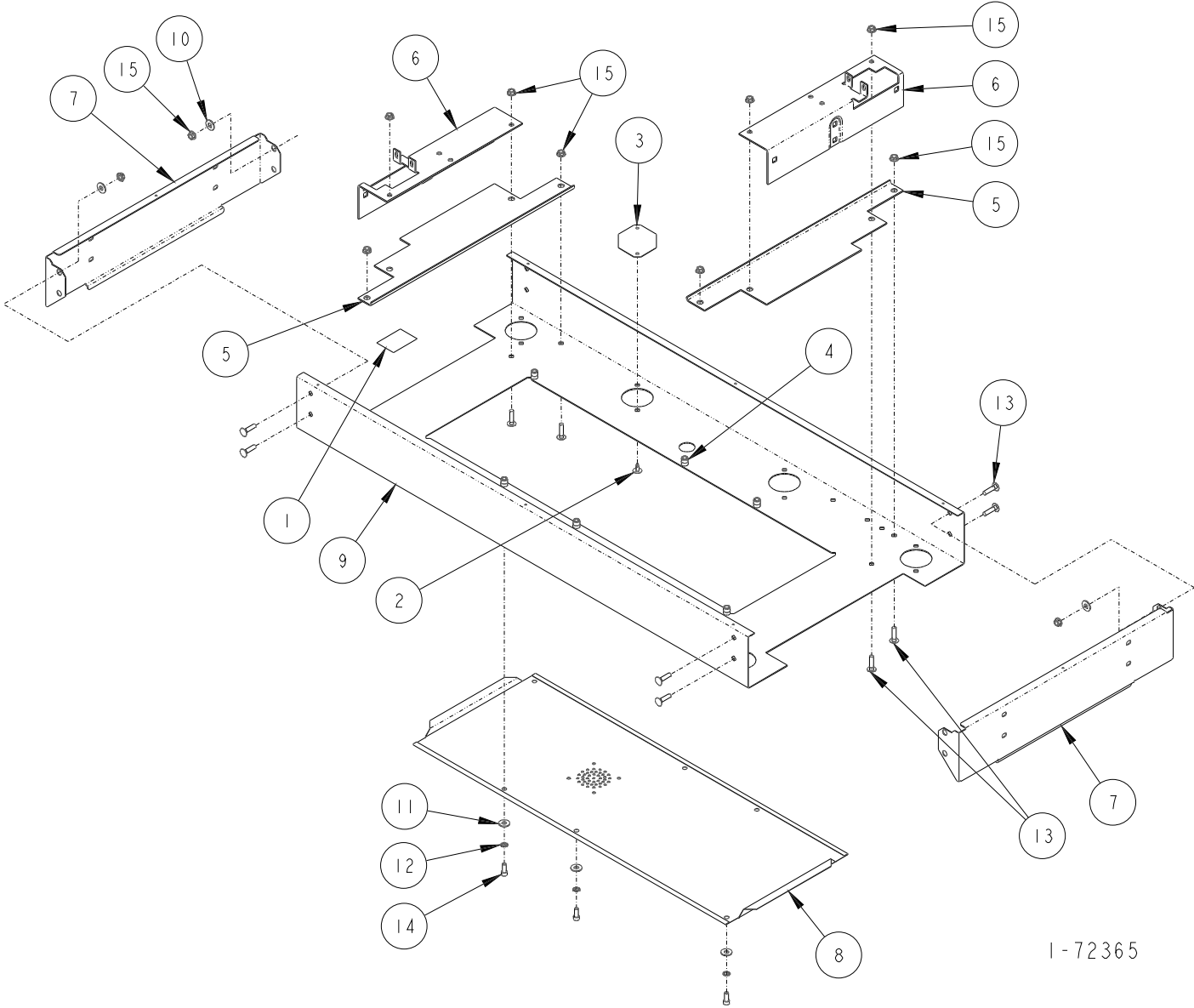
ITEM NO.	PART NO.	DESCRIPTION
1	1-229690	Decalcomania
2	1-232320	Cover Plate
3	<u>Post Support</u>	
	<u>(For 24" Wide) 1st Design</u>	
	1-318245	H413B-RV1 & H426B-RV1
	1-421136	All Except H413B-RV1 & H426B-RV1
	<u>(For 17" Wide) 1st Design</u>	
	1-319603	Standard
	<u>(For 24" Wide) 2nd Design</u>	
	2-318245	H413B-RV1 & H426B-RV1
	2-421136	All Except H413B-RV1 & H426B-RV1
	<u>(For 17" Wide) 2nd Design</u>	
	1-319603	Standard
4	<u>Post Spacer (24" Wide)</u>	
	1-318258	Serial No. 001306 & Below (H413B-RV1 & H426B-RV1)
	1-319586	Serial No. 001307 & Above (All Models Except H413B-RV1 & H426B-RV1)
	<u>Raceway Support (17" Wide)</u>	
	1-319604	
5	<u>45" Raceway</u>	
	1-421053	24" Wide x 4" High (Serial No. 001306 & Below)
	2-421128	24" Wide CDF x 5" High (Serial No. 001307 & Above)

ITEM NO.	PART NO.	DESCRIPTION
	1-421256	24" Wide Standard x 5" High (Serial No. 001307 & Above)
	1-421291	17" Wide
	<u>30" Raceway</u>	
	1-421405	24" Wide x 5" High (1st Design)
	1-421721	24" Wide x 5" High (2nd Design)
6	<u>Raceway End Plate</u>	
	1-421257	24" Wide
	1-421293	17" Wide
7	03-50611	5/16" Plate Washer
8	1-114438	Washer
9	39-52198	5/16-18 x 1" Long Carriage Bolt
10	02-54752	5/16-18 M-F Flange Whiz-Lock Nut
11	1-232311	Tuflok Screw

Reference for Tokheim internal use only:

319395	45" Trim Assembly (1st Design)
319396	45" Raceway Assembly(1st Design)
319625	30" Raceway Assembly (1st Design)
319635	30" Trim Assembly (1st Design)
319742	45" Raceway Assembly (2nd Design)
319743	45" Trim Assembly (2nd Design)
319811	30" Raceway Assembly (2nd Design)
319821	30" Trim Assembly (2nd Design)

BOTTOM ACCESS RACEWAY ASSEMBLY



1-72365

BOTTOM ACCESS RACEWAY ASSEMBLY

ITEM NO.	PART NO.	DESCRIPTION
1	1-229690	Decalcomania
2	1-232311	Tuflok Screw
3	1-232320	Cover Plate
4	1-232375	Insert
5	1-319586	Post Spacer
6	2-421136	Post Support
7	1-421257	Raceway End Plate
8	<u>Bottom Access Door</u>	
	1-421986	45" (24" Wide)
	1-422015	30" (24" Wide)
	1-422489	45" (20" Wide)
	1-422503	30" (20" Wide)
9	<u>Bottom Access Raceway</u>	
	1-421995	45" (24" Wide)
	1-422016	30" (24" Wide)
	1-422488	45" (20" Wide)
	1-422498	30" (20" Wide)
10	03-50611	5/16" Plate Washer
11	03-50618	5/16" Plate Washer
12	08-50768	5/16" Shakeproof Lockwasher
13	39-52198	5/16-18 x 1" Long Carriage Bolt

ITEM NO.	PART NO.	DESCRIPTION
14	49-52758	5/16-18 x 3/4" Long Socket Head Screw
15	02-54752	5/16-18 M-F Flange Whiz-Lock Nut

Reference for Tokheim internal use only:

150103 45" Profile Module

150153 30" Profile Module

Raceway Assembly

319742 45" (17" & 24" Wide)

319924 45" (17" & 24" Wide) Continued

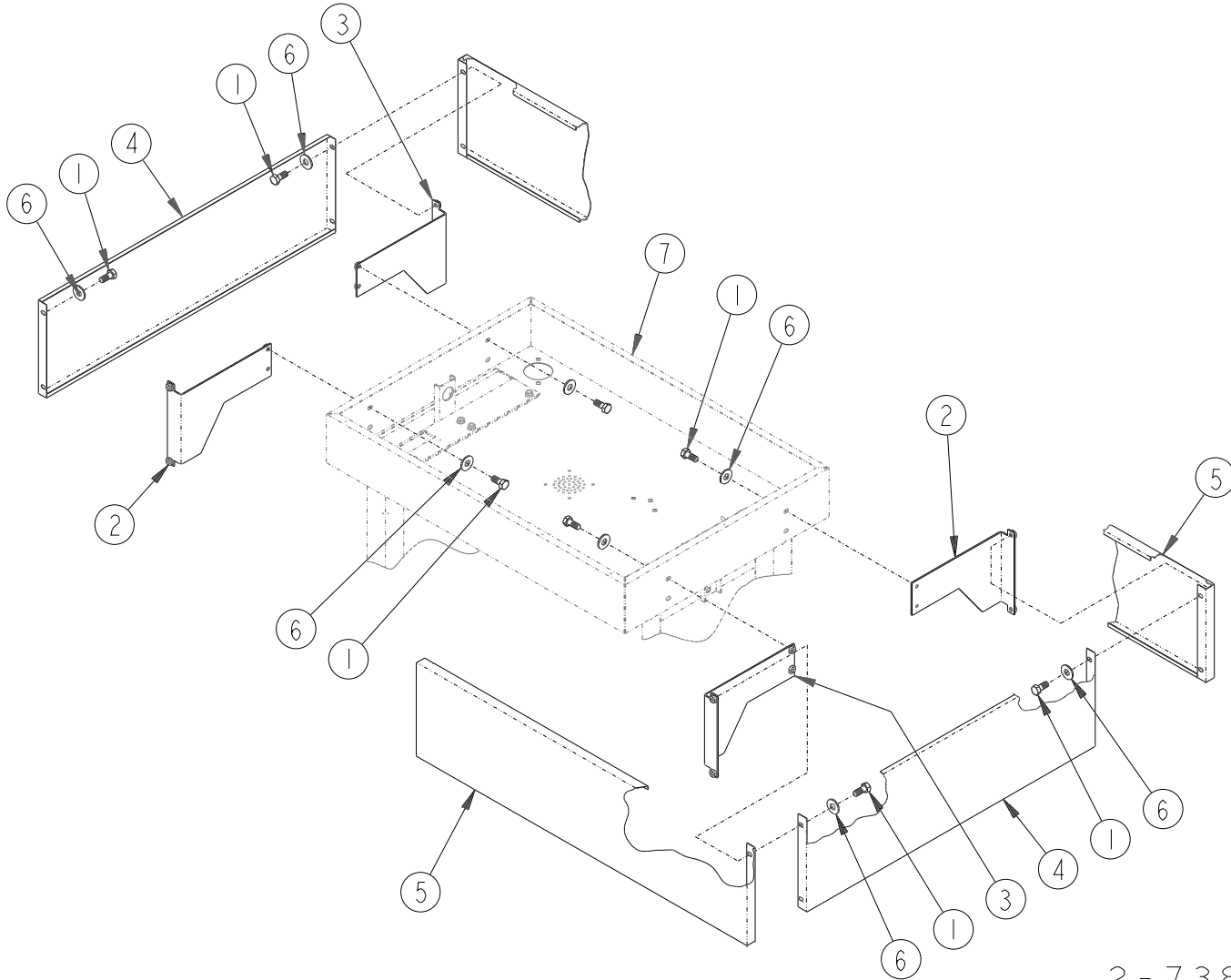
319811 30" (17" & 24" Wide)

320955 30" (20" Wide)

422499 45" (20" Wide)

VALANCE ASSEMBLY

H311B, H312B, H322B & H324B



2-73869

VALANCE ASSEMBLY (HIGH HOSE) H311B, H312B, H322B & H324B

ITEM NO.	PART NO.	DESCRIPTION
1	1-230958	5/16-18 x 3/4" Long Hex Head Cap Screw
2	319662-1	Support Weld Assembly (Left Hand)
3	319662-2	Support Weld Assembly (Right Hand)
4	<u>End Panel</u>	
	1-419815	Painted
	2-419815	Stainless Steel
5	<u>Side Panel</u>	
	1-419743	Painted
	2-419743	Stainless Steel
6	03-50611	5/16" Plate Washer
7	<u>For parts call out of Chassis Assembly see:</u>	
	741567	1st Design
	741597	2nd Design

Reference for Tokheim internal use only:

Raceway Assembly (see Serial Break List 71144)

319625 1st Design

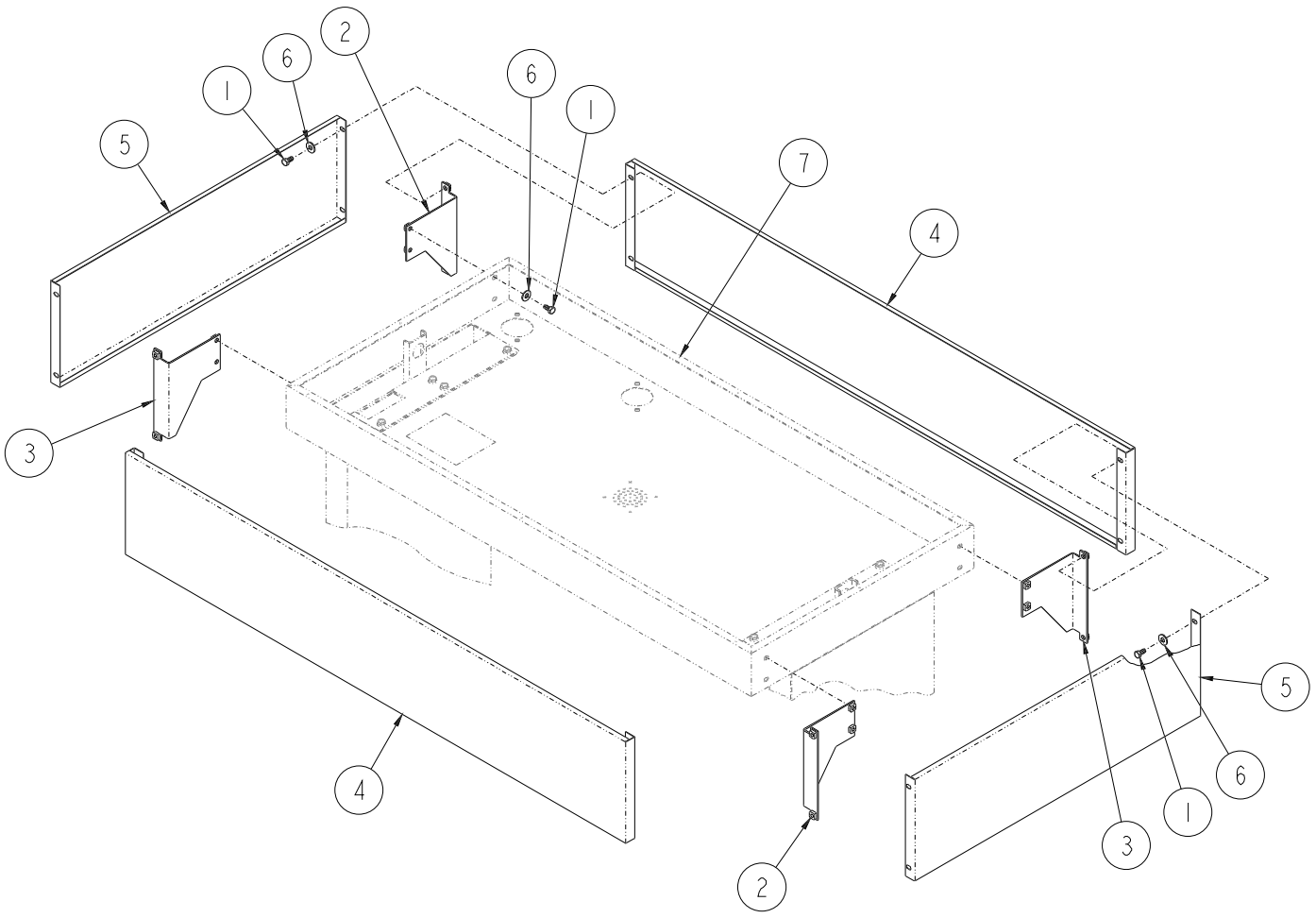
319811 2nd Design

Final Assembly (see Serial Break List 71144)

319651 1st Design

319820 2nd Design

VALANCE ASSEMBLY
H413B & H426B
(Serial No. 001306 & Below)



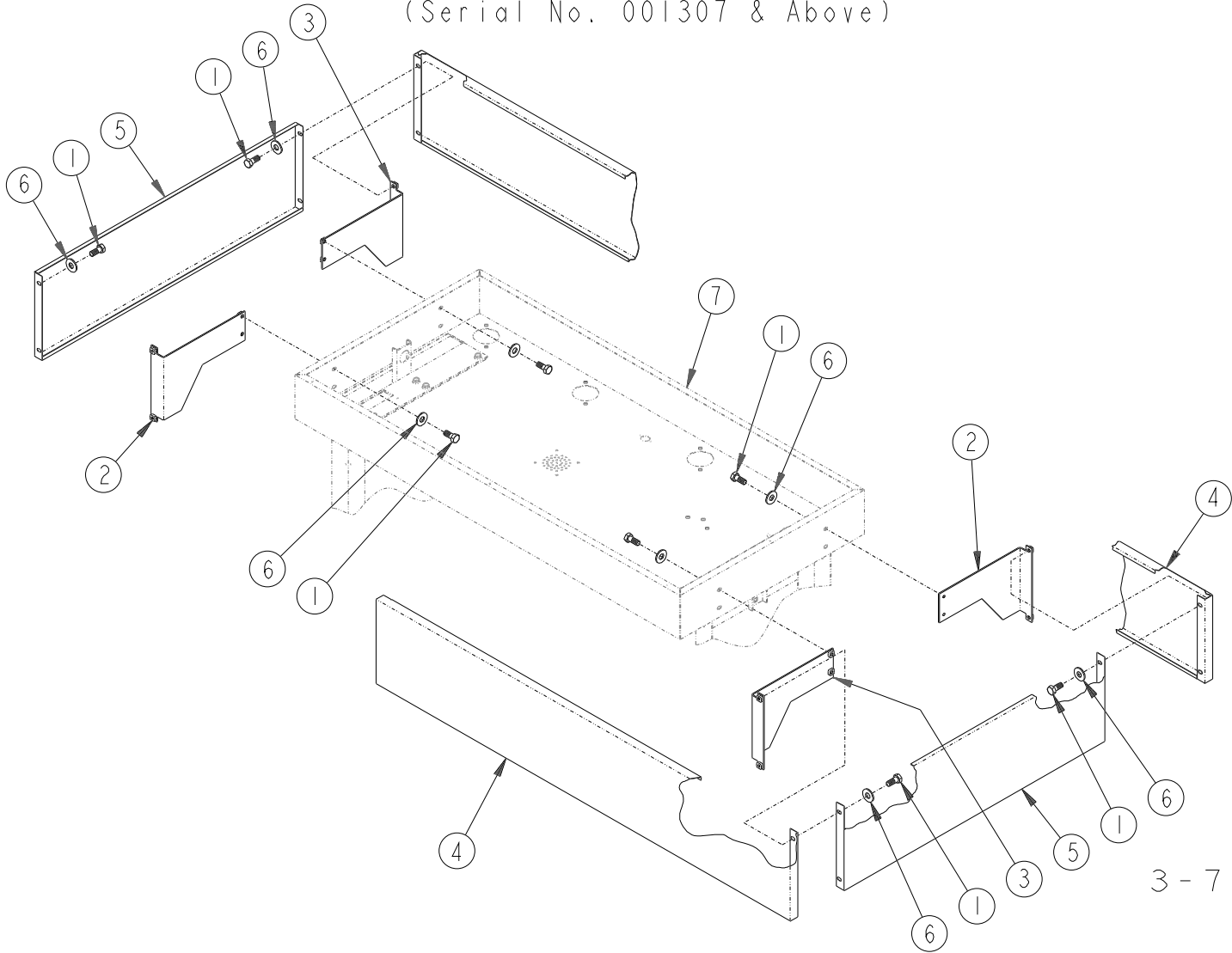
3-741544

VALANCE ASSEMBLY (HIGH HOSE) H413B & H426B (Serial No. 001306 & Below)

ITEM NO.	PART NO.	DESCRIPTION
1	1-230958	5/16-18 X 3/4" Long Hex Head Cap Screw
2	318348-1	Right Support Weld Assembly
3	318348-2	Left Support Weld Assembly
4	<u>Side Panel</u>	
	1-419239	Painted
	2-419239	Stainless Steel
5	<u>End Panel</u>	
	1-419815	Painted
	2-419815	Stainless Steel
6	03-50611	5/16" Plate Washer
7	<u>For parts call out of Chassis Assembly see:</u>	
	741534	H411B, H413B, H422B & H426B
	741562	H414B & H428B
	<u>Reference for Tokheim internal use only:</u>	
	319396	Raceway Assembly
	319397	Final Assembly

VALANCE ASSEMBLY

H411B, H413B, H414B, H422B, H426B, H428B, H722B & H724B
(Serial No. 001307 & Above)



3-73859

VALANCE ASSEMBLY (HIGH HOSE)**H411B, H413B, H414B, H422B, H426B, H428B, H722B & H724B (Serial No. 001307 & Above)**

ITEM NO.	PART NO.	DESCRIPTION
1	1-230958	5/16-18 X 3/4" Long Hex Head Cap Screw
2	319572-1	Left Support Weld Assembly
3	319572-2	Right Support Weld Assembly
4	<u>Side Panel</u>	
	1-419239	Painted
	2-419239	Stainless Steel
5	<u>End Panel</u>	
	1-419815	Painted
	2-419815	Stainless Steel
6	03-50611	5/16" Plate Washer
7	<u>For parts call out of Chassis Assembly see:</u>	
	741534	H411B, H413B, H422B & H426B
	741562	H414B & H428B

Reference for Tokheim internal use only:Raceway Assembly (See Serial Break List 71144)

319396 1st Design

319742 2nd Design

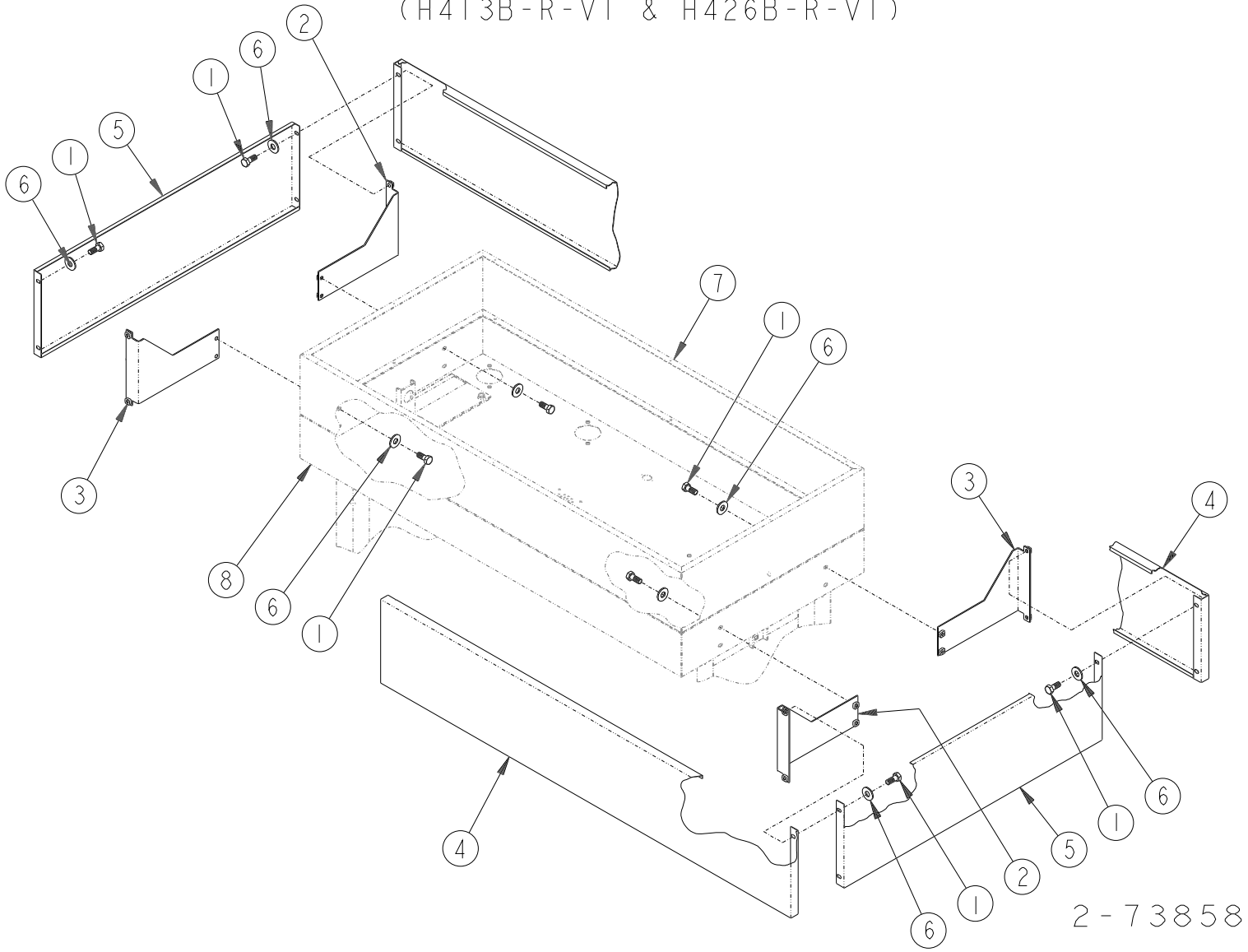
Final Assembly (See Serial Break List 71144)

319397 1st Design

319744 2nd Design

VALANCE ASSEMBLY

(H413B-R-VI & H426B-R-VI)

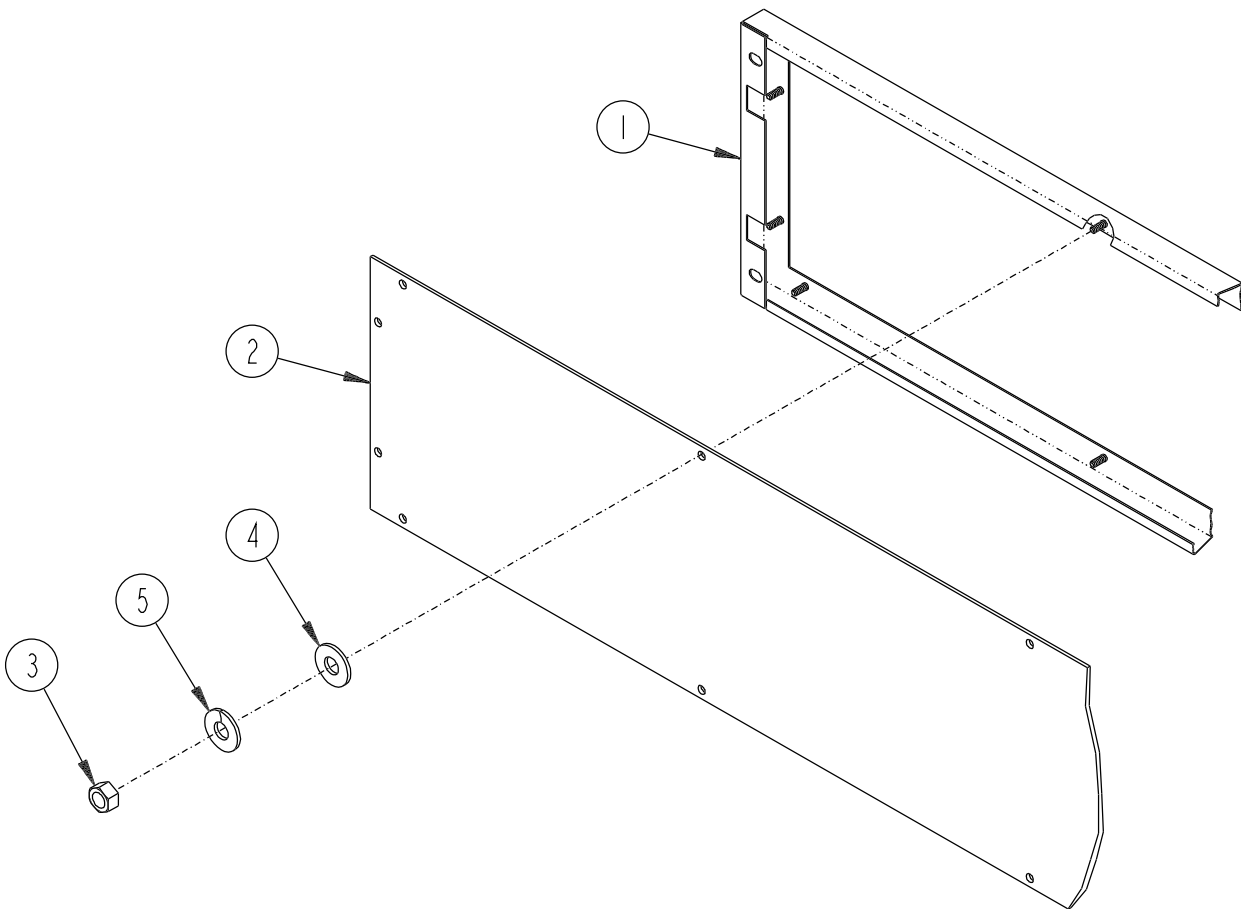


2-73858

VALANCE ASSEMBLY (HIGH HOSE) H413B-R-V1 & H426B-R-V1

ITEM NO.	PART NO.	DESCRIPTION
1	1-230958	5/16-18 X 3/4" Long Hex Head Cap Screw
2	319572-1	Support Weld Assembly (Right Hand)
3	319572-2	Support Weld Assembly (Left Hand)
4	<u>Side Panel</u>	
	1-419239	Painted
	2-419239	Stainless Steel
5	<u>End Panel</u>	
	1-419815	Painted
	2-419815	Stainless Steel
6	03-50611	5/16" Plate Washer
7	<u>For parts call out of Raceway Extension see 73857</u>	
8	<u>For parts call out of Chassis Assembly see:</u>	
	741534	1st Design
	741593	2nd Design
	<u>Reference: Raceway Assembly (see Serial Break List 71144)</u>	
	319396	1st Design
	319742	2nd Design

VALANCE LEXAN PANEL ASSEMBLY



2-72233

VALANCE LEXAN PANEL ASSEMBLY

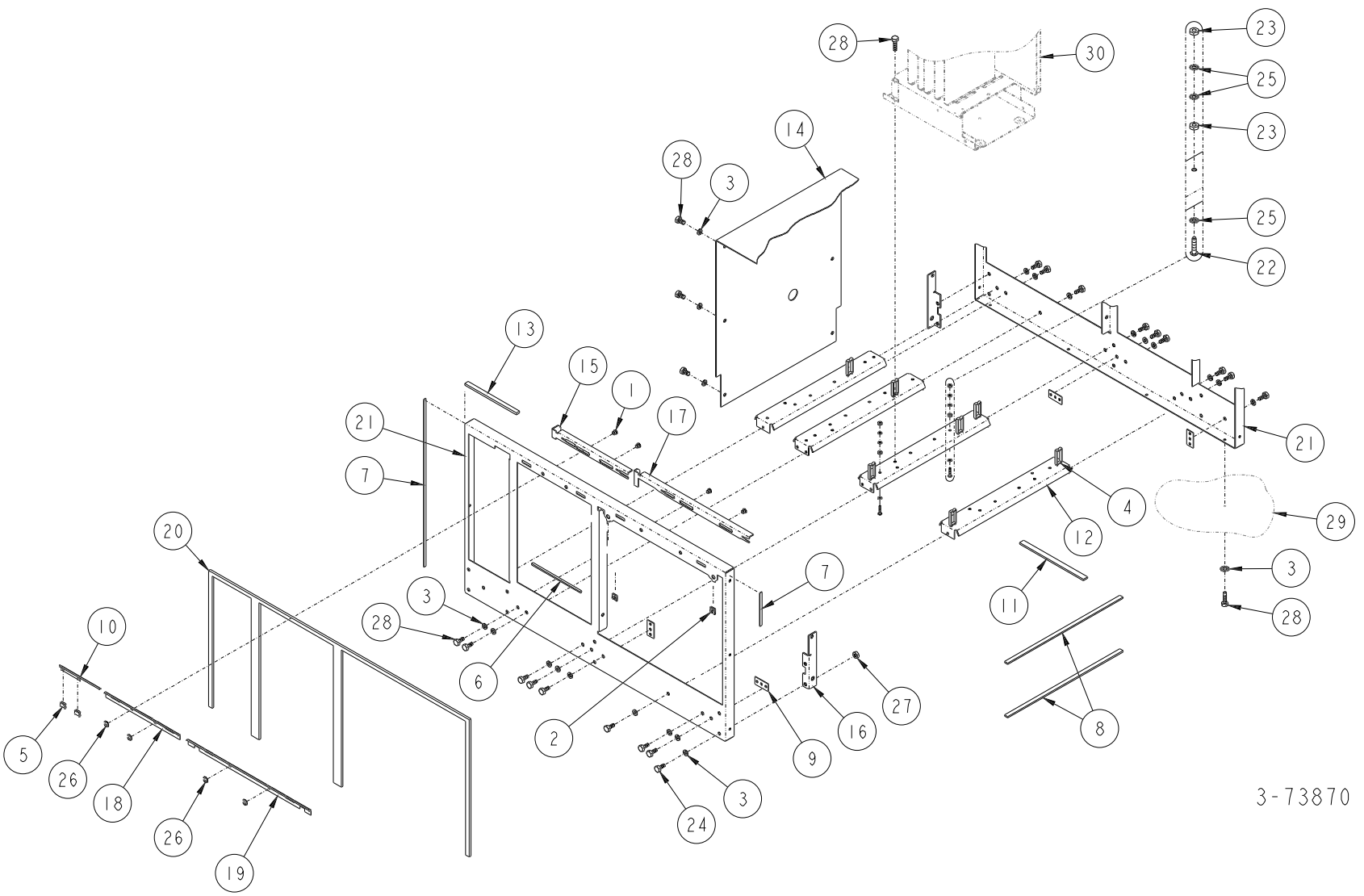
ITEM NO.	PART NO.	DESCRIPTION
1		<u>Side Panel Weld Assembly</u>
	419992-1	45" (Painted)
	419992-2	45" (Stainless Steel)
	420113-1	30" (Painted)
	420113-2	30" (Stainless Steel)
2		<u>Lexan Panel</u>
	1-419996	45"
	1-420114	30"
3	05-50211	#10-24 Hex Nut
4	05-50621	#10 Plain Washer
5	05-50761	#10 Shakeproof Lockwasher

Reference for Tokheim internal use only:

Final Assembly (see Serial Break List 71144)

319397	45" 1st Design
319744	45" 2nd Design
319651	30" 1st Design
319820	30" 2nd Design

30" HEAD ASSEMBLY



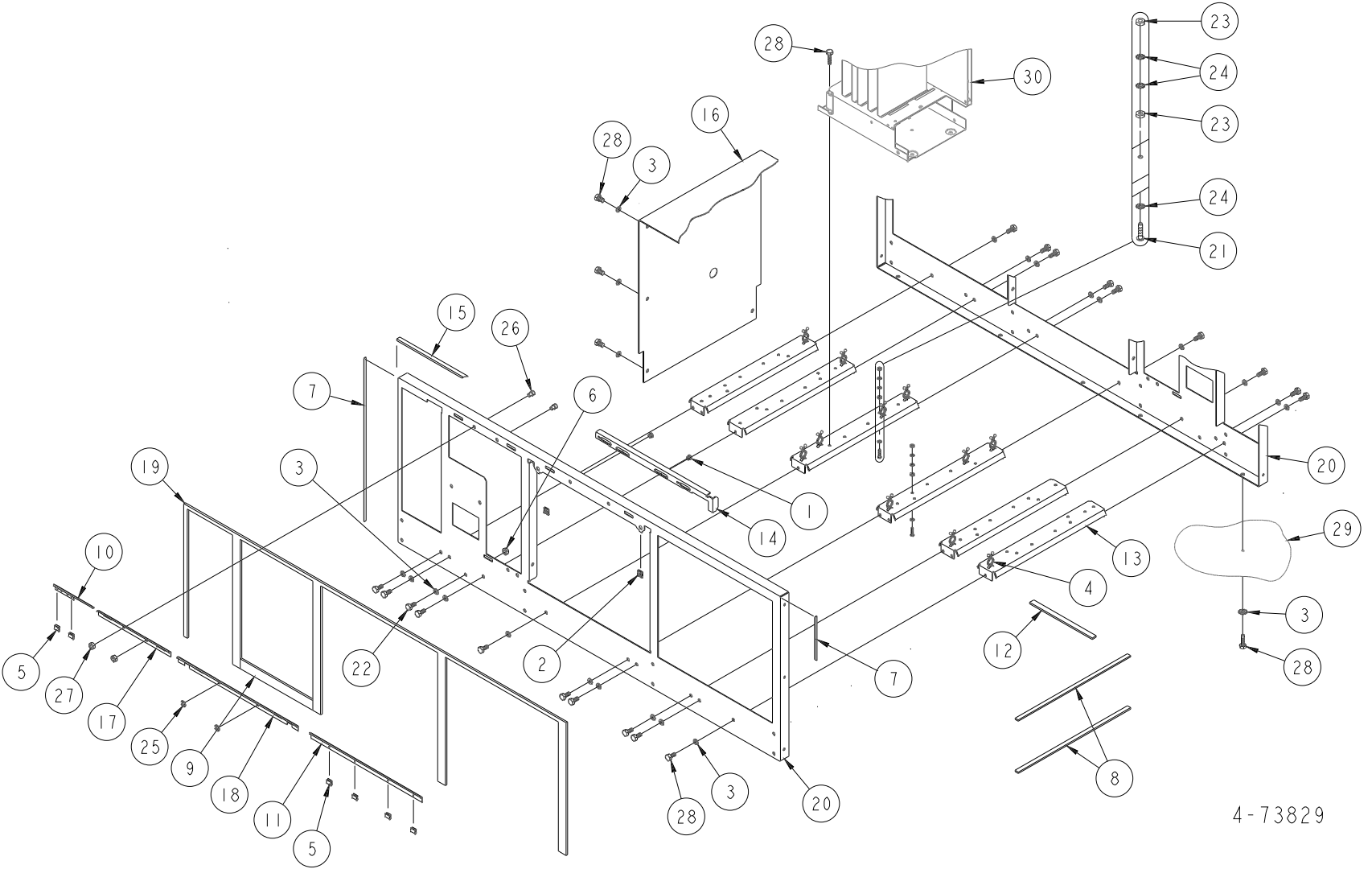
3-73870

30" PREMIER HEAD ASSEMBLY

ITEM NO.	PART NO.	DESCRIPTION
1	2-130330	Pivot Pin
2	4-130449	“U” Nut
	1-132487	1/4-Turn Receptacle
3	1-132708	Washer
4	1-132718	Cable Retainer
5	1-132845	“U” Clip
6	13-229425	Edge Protector
7	5-231860	Cushion .06 x .25 x 16.53 Long
8	6-231860	Cushion .06 x .5 x 13.3 Long
9	1-232233	Dial Support Seal Plate
10	1-232948	Cushion Retainer
11	35-317638	Cushion .06 x .5 x 30" Long
12	1-319390	Card Cage/Vault Support
13	2-319423	Enclosure Seal (Top)
14	2-319426	Outer Box Enclosure
15	1-319554	DPT Latch Bracket
16	1-319624	Display Mounting Bracket
17	1-319626	Money Volume Latch Bracket
18	1-320487	Dial Cushion - DPT Retainer
19	1-320488	Dial Cushion - Money/Volume Retainer
20	1-320498	Dial Cushion
21	1-421413	Dial Enclosure Support
22	178-50001	#8-32 x 3/4" Long Round Head Machine Screw

ITEM NO.	PART NO.	DESCRIPTION
23	04-50211	#8-32 Hex Machine Nut
24	03-50361	#1/4-20 x 3/4" Long Hex Head Cap Screw
25	04-50761	#8 Shakeproof Lockwasher
26	06-52482	Retaining Ring
27	01-54752	1/4-20 M-F Flange Whiz Lock Nut
28	69-55392	#14 x 1/2" Long P-K Hex Head Self Tapping Screw
29	<u>For parts call out of Chassis Assembly see</u>	
	741567	1st Design
	741597	2nd Design
30	<u>For parts call out of Electrical Component & Power Supply Assembly see 73826</u>	
	<u>Reference for Tokheim internal use only:</u>	
	319630	Head Assembly

45" HEAD ASSEMBLY



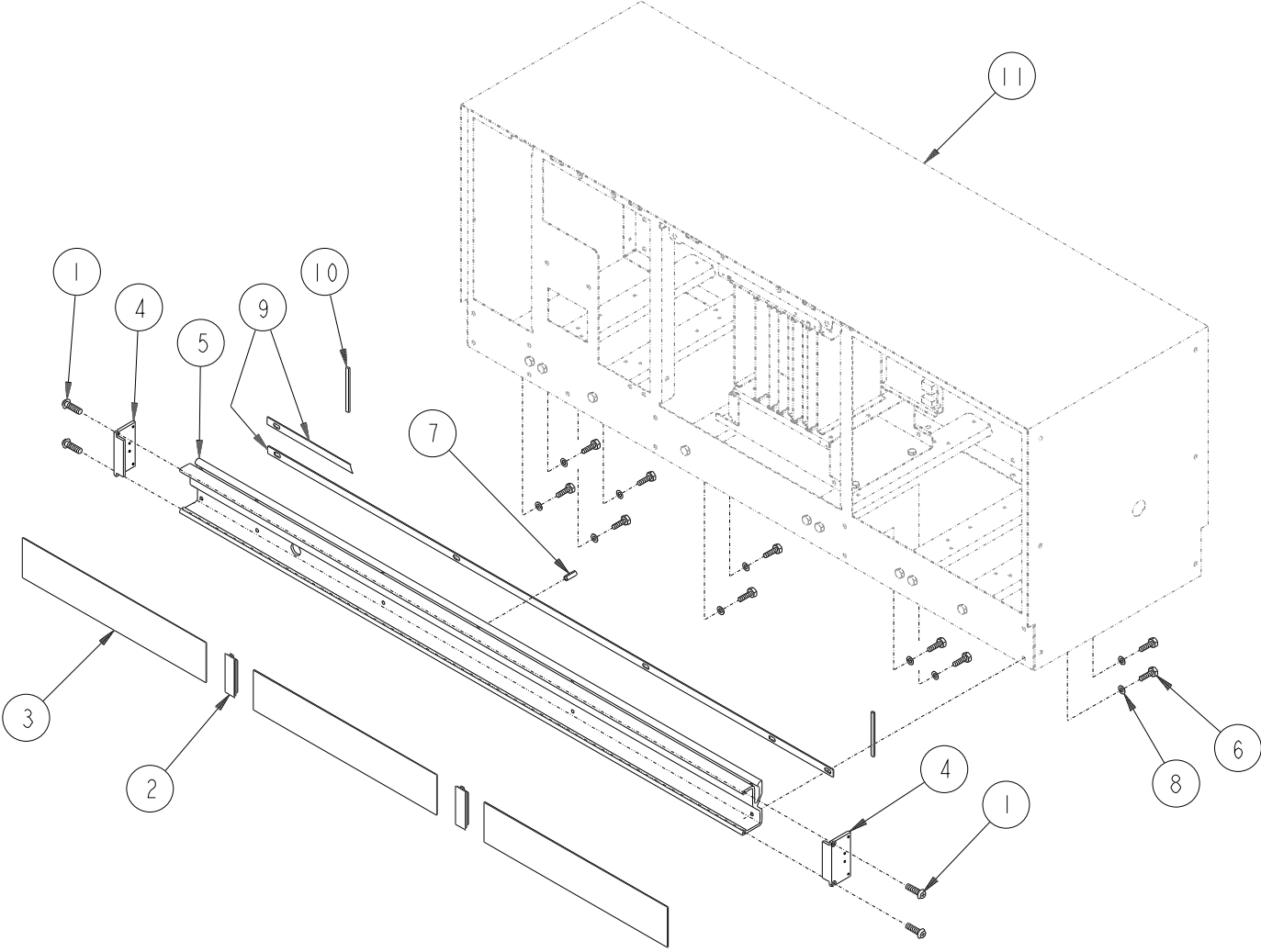
4-73829

45" PREMIER HEAD ASSEMBLY

ITEM NO.	PART NO.	DESCRIPTION
1	3-130330	Pivot Pin
2	4-130449	"U" Nut
	1-132487	1/4-Turn Receptacle
3	1-132708	Washer
4	1-132718	Cable Retainer
5	1-132845	"U" Clip
6	1-230432	#10-24 Capped Washer Locknut
7	5-231860	Cushion .06 x .25 x 16.53 Long
8	6-231860	Cushion .06 x .5 x 13.3 Long
9	5-232722	Cushion
10	1-232948	Cushion Retainer
11	2-232948	Cushion Retainer
12	34-317638	Cushion .06 x .5 x 44.78 Long
13	1-319390	Card Cage/Vault Support
14	1-319413	Money/Volume Latch Bracket
15	5-319423	Enclosure Seal (Top)
16	1-319426	Outer Box Enclosure
17	1-320487	Dial Cushion - DPT Retainer
18	1-320488	Dial Cushion - Money/Volume Retainer
19	1-320496	Dial Cushion
20	1-421050	Dial Enclosure Support
21	178-50001	#8-32 x 3/4" Long Round Head Machine Screw

ITEM NO.	PART NO.	DESCRIPTION
22	252-50001	#10-24 x 1/2" Long Round Head Machine Screw
23	04-50211	#8-32 Hex Machine Nut
24	04-50761	#8 Shakeproof Lockwasher
25	06-52482	Retaining Ring
26	32-52751	1/4-20 x 3/8" Long Socket Head Cap Screw
27	01-54752	1/4-20 M-F Flange Whiz Lock Nut
28	69-55392	#14 x 1/2" Long P-K Self Tapping Screw
29		<u>For parts call out of Chassis Assembly see</u>
	741534	1st Design (H411B, H413B, H422B, H426B, H722B & H724B)
	741593	2nd Design (H411B, H413B, H422B, H426B, H722B & H724B)
	741562	1st Design (H412B, H414B, H424B & H428B)
	741595	2nd Design (H412B, H414B, H424B & H428B)
30		<u>For parts call out of Electrical Component & Power Supply Assembly see 73826</u>
		<u>Reference for Tokheim internal use only:</u>
	319393	Head Assembly

PREMIER PRODUCT PANEL ASSEMBLY
(45" Serial No. 021280 & Below)
(30" Serial No. & Below)



4 - 73835

PREMIER PRODUCT PANEL ASSEMBLY (45" Serial No. 021280 & Below) (30" Serial No. & Below)

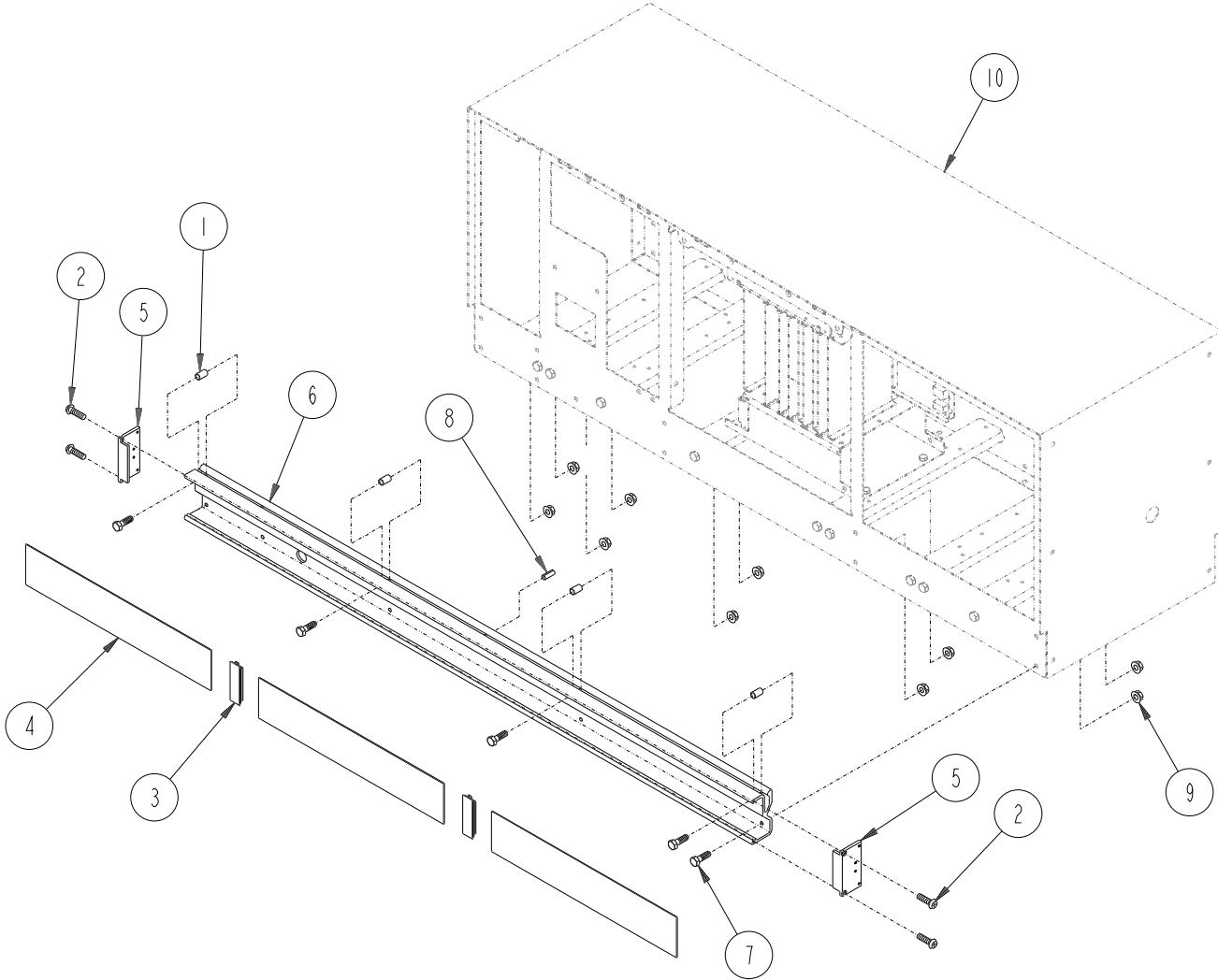
PREMIER Parts Manual • H Models
Form 4814A, Version 4.0 July 1996 Rev. 1/15/99

Tokheim Corporation
2-59

ITEM NO.	PART NO.	DESCRIPTION	ITEM NO.	PART NO.	DESCRIPTION
1	2-230689	#6-32 x 3/8" Long Phillips Truss Head Self-Tapping Screw	421949-2		30"
2	1-231825	Spacer	6	10-51491	#14 x 1/2" Long Hex Head P.K. Self Tapping Screw
3	<u>Product Panel Insert</u>		7	96-52901	Roll Pin
	1-231871	H413B & H426B (Multi Piece) (14.42 Long)	8	1-132708	Washer
	2-231871	H411B, H413B, H414B, H422B, H424B, H426B & H428B (Single Piece) (43.81 Long)	9	<u>Gasket</u>	
	4-231871	H411B & H422B (Multi Piece) (10.15 Long)		1-319636	30"
	5-231871	H411B & H422B (Right End) (12.56 Long)		1-421163	45"
	6-231871	H412B-RB4, H414B, H424B, H424B-RB4 & H428B (Four Piece) (10.75 Long)	10	1-231231	Gasket
	7-231871	H311B, H312B, H322B & H324B (Single Piece) (28.81 Long)	11	<u>For parts call out of Head Assembly see:</u>	
	8-231871	H311B, H312B, H322B & H324B (Two Piece) (14.30 Long)		73829	30"
	12-231871	H411/22B-RB5 & H412/24B-RB5 (Five Piece) (8.56 Long)		73870	45"
	15-231871	H311B-RB3/RB5 & H322B-RB3/RB5 (Five Piece) (5.56 Long)	<u>Reference for Tokheim internal use only:</u>		
4	1-319437	End Cap		319393	Head Assembly (45")
5	<u>Product Panel Frame (No longer Available see Drawing no. 731001 for new Product Panel Frame Assembly)</u>			319395	Trim Assembly (45")
	1-421116	45"		319630	Head Assembly (30")
				319635	Trim Assembly (30")

PREMIER PRODUCT PANEL ASSEMBLY

(45" Serial No. 021281 & Above)
30" Serial No. & Above)



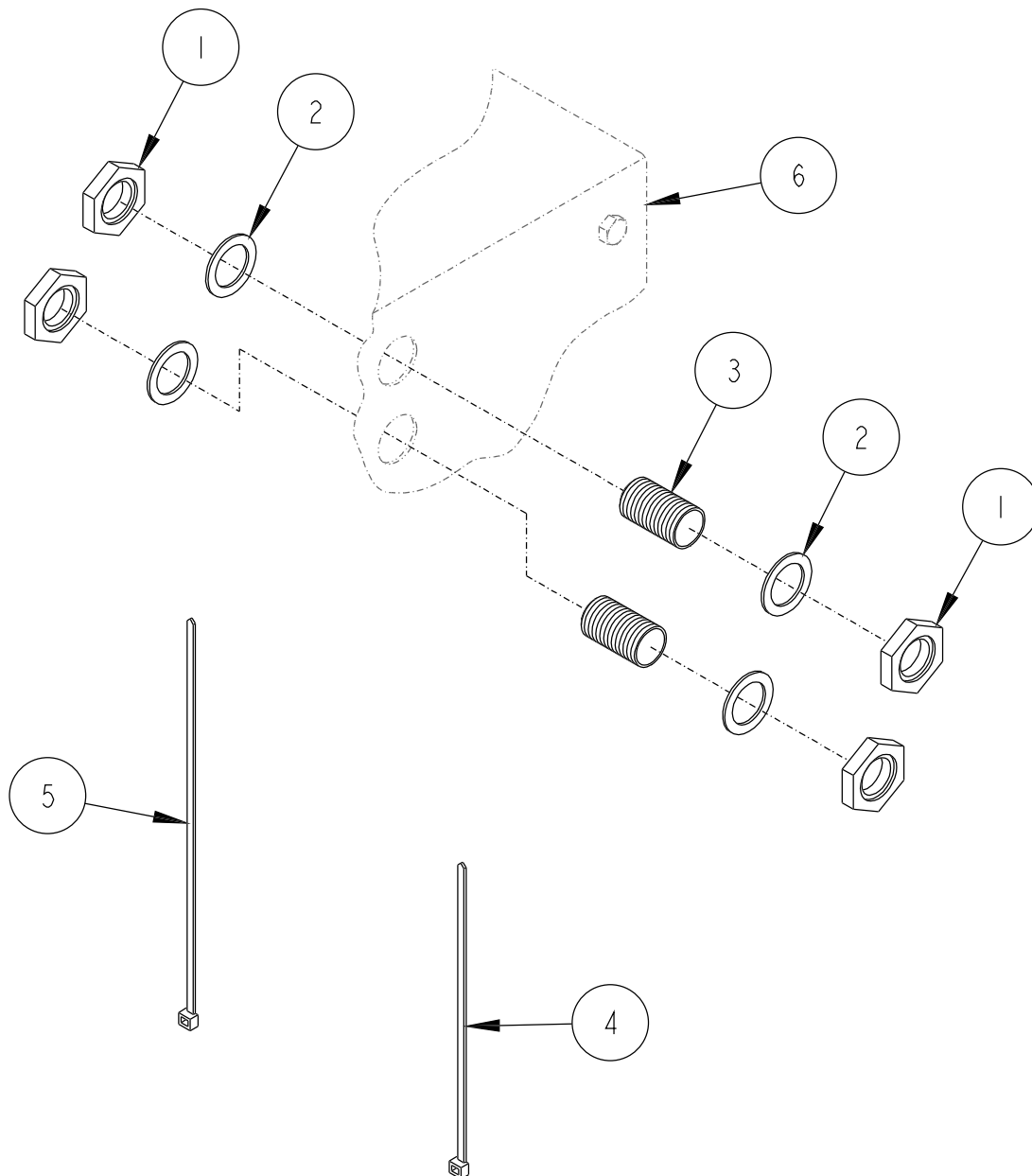
1-731001

PREMIER PRODUCT PANEL ASSEMBLY (45" Serial No. 021281 & Above) (30" Serial No. & Above)

ITEM NO.	PART NO.	DESCRIPTION	ITEM NO.	PART NO.	DESCRIPTION
1	3-132802	Tube	5	1-319437	End Cap
2	2-230689	#6-32 x 3/8" Long Phillips Truss Head Self-Tapping Screw	6	<u>Product Panel Frame Assembly</u>	
3	1-231825	Spacer	421949-1	45"	
4	<u>Product Panel Insert</u>		421949-2	30"	
1-231871	H413B & H426B (Three Piece)(14.42 Long)		7	05-50361	1/4-20 x 1" Long Hex Head Cap Screw
2-231871	H411B, H413B, H414B, H422B, H424B, H426B & H428B (Single Piece)(43.81 Long)		8	96-52901	Roll Pin
4-231871	H411B & H422B (Multi Piece)(10.15 Long)		9	01-54752	1/4-20 M-F Flange Whiz Lock Nut
5-231871	H411B & H422B (Right End)(12.56 Long)		10	<u>For parts call out of Head Assembly see</u>	
6-231871	H412B-RB4, H414B, H424B, H424B-RB4 & H428B (Four Piece) (10.75 Long)		73829	45"	
7-231871	H311B, H312B, H322B & H324B (Single Piece) (28.81 Long)		73870	30"	
8-231871	H311B, H312B, H322B & H324B (Two Piece) (14.30 Long)		<u>Reference for Tokheim internal use only:</u>		
12-231871	H411/22B-RB5 & H412/24B-RB5 (Five Piece) (8.56 Long)		319393	Head Assembly (45")	
15-231871	H311B-RB3/RB5 & H322B-RB3/RB5 (5.56 Long)		319395	Trim Assembly (45")	
			319630	Head Assembly (30")	
			319635	Trim Assembly (30")	

HEAD PLUG ASSEMBLY

(Not used with Max Vac)

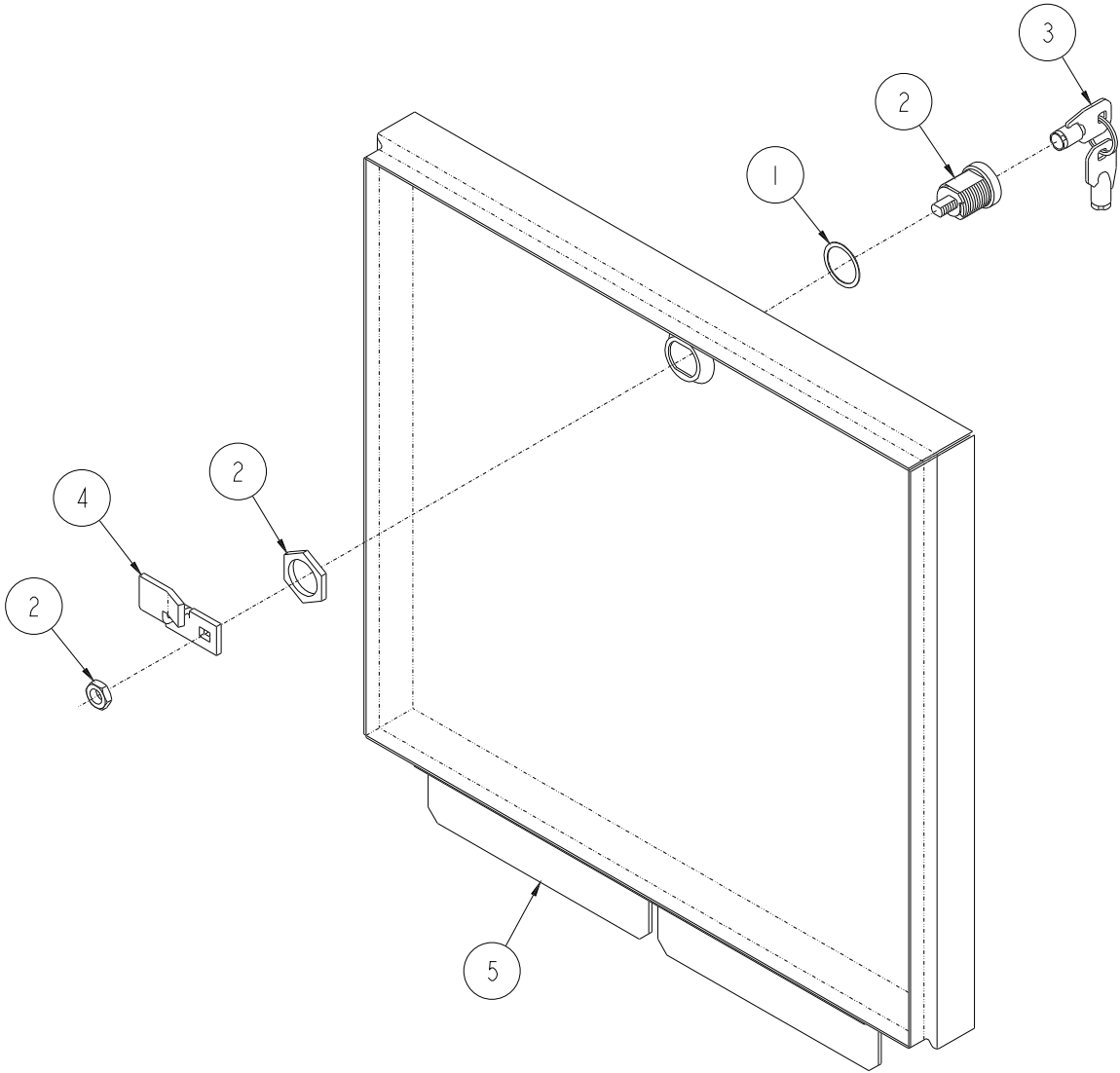


3-72225

HEAD PLUG ASSEMBLY (Not used with Max Vac)

ITEM NO.	PART NO.	DESCRIPTION
1	1-130590	1/2" NPT Conduit Locknut
2	1-132715	Conduit Washer
3	1-228645	Conduit Hole Plug
	319483-1	Valance/Intercom Harness Assembly
4	1-128725	4" To 4-1/2" Cable Tie
5	2-128725	5-1/2" To 6" Cable Tie
6	<u>For parts call out of Head Assembly see:</u>	
	73829	45"
	73870	30"

ACCESS PANEL ASSEMBLY



1-73840

ACCESS PANEL ASSEMBLY

ITEM NO.	PART NO.	DESCRIPTION
1	2-127656	Lock Gasket
2	232962-1	Lock Assembly (Includes Items 1, 3 & 4)
3	2-231841	Tubular Key (TPX 88)
4	1-232108	Lock Cam
5	319496-6	Access Dial

For Complete Access Dial Assembly order:

319496-2 Painted