

# Section Three

Premier Parts Manual • H Models

## Discharge Hydraulics

	Page Number		Page Number
Discharge Assembly (24" Raceway)		Discharge Assembly (24" Raceway Cont.)	
H311B/H312B/H322B/H324B		H413B-R-V1	
1st Design .....	3-4, 3-5	1st Design .....	3-34, 3-35
2nd Design .....	3-6, 3-7	2nd Design .....	3-36, 3-37
H311B-RB3/RB5 & H322B-RB3/RB5		H414B	
1st Design .....	3-8, 3-9	1st Design .....	3-38, 3-39
2nd Design .....	3-10, 3-11	2nd Design .....	3-40, 3-41
H324B Dual Vapor Return Lines		H414B-REB & H428B-REB .....	3-42, 3-43
1st Design .....	3-12, 3-13	H422B (Serial No. 04925 & Below) .....	3-44, 3-45
2nd Design .....	3-14, 3-15	H424B-RB3TR .....	3-46, 3-47
H411B/H422B		H426B	
Serial No. 04925 & Below ...	3-16, 3-17	1st Design .....	3-48, 3-49
Serial No. 04926 thru		2nd Design .....	3-50, 3-51
011868 .....	3-18, 3-19	H426B-R-V1	
2nd Design .....	3-20, 3-21	1st Design .....	3-52, 3-53
H411B-REB & H422B-REB		2nd Design .....	3-54, 3-55
2nd Design .....	3-22, 3-23	H428B	
H412B & H424B .....	3-24, 3-25	1st Design .....	3-56, 3-57
H412B-RB3 & H424B-RB3 .....	3-26, 3-27	2nd Design .....	3-58, 3-59
H413B		H722B .....	3-60, 3-61
1st Design .....	3-28, 3-29	H724B .....	3-62, 3-63
2nd Design .....	3-30, 3-31		
H413B-REB & 426B-REB			
2nd Design .....	3-32, 3-33		

# Discharge Hydraulics (Cont.)

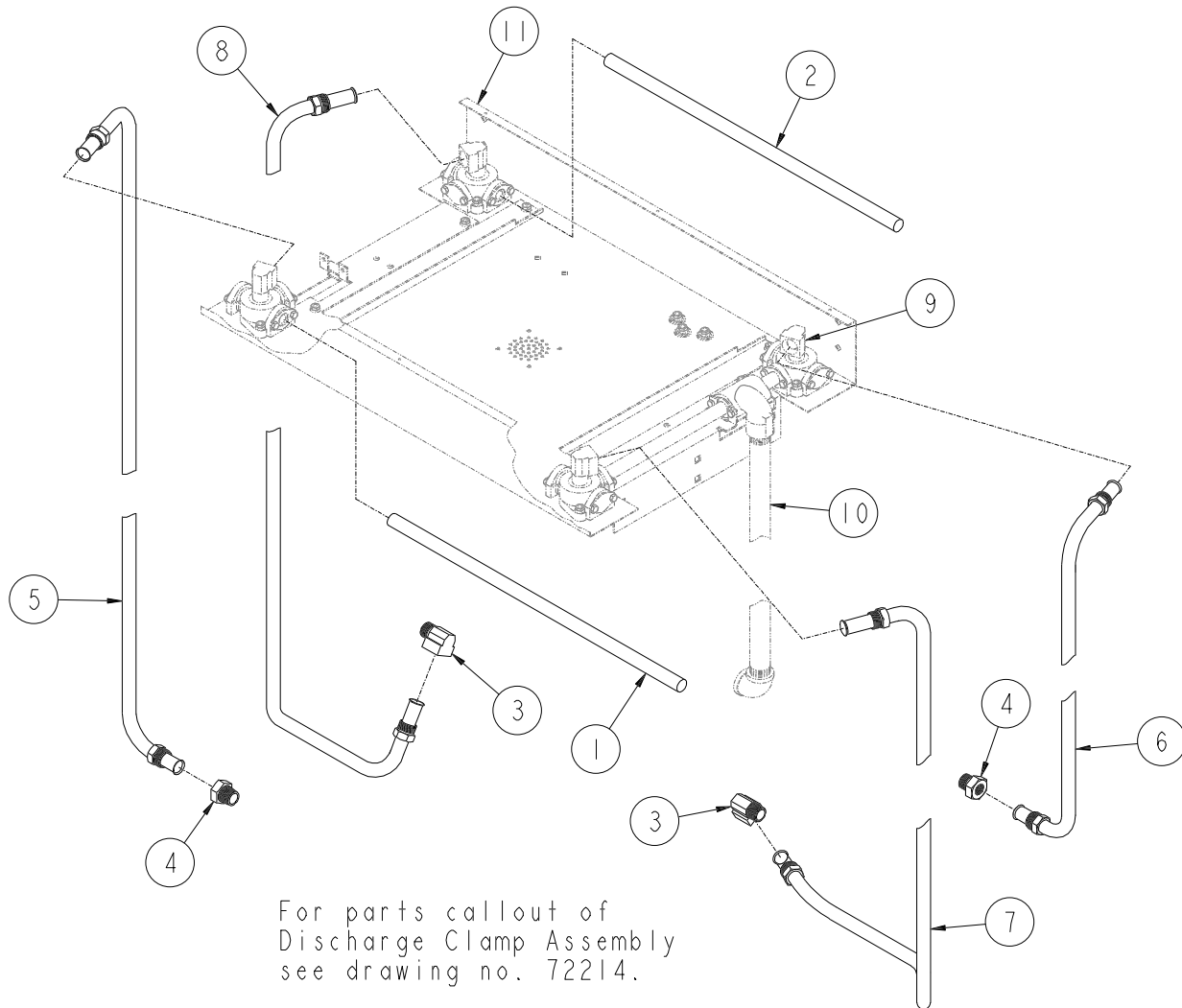
	Page Number
Discharge Assembly (17" Raceway)	
H411B/H422B (2nd Design) .....	3-64, 3-65
H413B/H426B	
1st Design .....	3-66, 3-67
2nd Design .....	3-68, 3-69
Discharge Assembly (20" Raceway)	
H322B .....	3-70, 3-71
H411B-RIV & H422B-RIV .....	3-72, 3-73
H411B-RB3IV & H422B-RB3IV .....	3-74, 3-75
H413B-RIV & H426B-RIV .....	3-76, 3-77
H424B-RTRIV/Non Vapor .....	3-78, 3-79
H424B-RB3TRIV/Non Vapor ...	3-80, 3-81
H424B-RB3/4TRIV Right Hose Diesel .....	3-82, 3-83
H426B-REBIV .....	3-84, 3-85
H426B-REBTR/Non Vapor .....	3-86, 3-87
H428B-RIV/Non Vapor .....	3-88, 3-89
H428B-RIV .....	3-90, 3-91
H428B-REBIV .....	3-92, 3-93
Max Vac System (24" Wide Raceway)	
H311B-RMV & H322B-RMV 1st Design .....	3-94, 3-95
2nd Design .....	3-96, 3-97
H311B-RB3/5MV & H322B-RB3/5MV 1st Design .....	3-98, 3-99
2nd Design .....	3-100, 3-101
H312B-RMV & H324B-RMV 1st Design .....	3-102, 3-103
2nd Design .....	3-104, 3-105

	Page Number
Max Vac System (24" Wide Raceway Cont.)	
H411B-RMV/RB3/5MV & H422B-RMV/RB3/5MV 1st Design .....	3-106, 3-107
2nd Design .....	3-108, 3-109
H412B-RMV/RB3/4MV & H424B-RMV/ RB3/4MV .....	3-110, 3-111
H412B-RMN/RB3/4MN & H424B-RMN/RB3/4MN .	3-112, 3-113
H412B-RMN/RB3/4MN & H424B-RMN/RB3/4MN .	3-114, 2-115
H424B-RB3-TRMV & H424B-RB3-TRMN .....	3-116, 3-117
H413B-RMV & H426B-RMV 1st Design .....	3-118, 3-119
2nd Design .....	3-120, 3-121
H413B-REBMV & H426B-REBMV .....	3-122, 3-123
H414B-RMV & H428B-RMV .....	3-124, 3-125
H414B-REBMV & H428B-REBMV .....	3-126, 3-127
H414B-RMN & H428B-RMN .....	3-128, 3-129
H414B-REBMN & H428B-REBMN .....	3-130, 3-131
H722B-RMV .....	3-132, 3-133
H724B-RMV .....	3-134, 3-135
Max Vac System (20" Wide Raceway)	
H411B-RMV & H422B-RMV .....	3-136, 3-137
H411B-RB3MV & H422B-RB3MV .....	3-138, 3-139

# Discharge Hydraulics (Cont.)

	Page Number
Max Vac System (20" Wide Raceway Cont.)	
H424B-RTRMV/Non Vapor ..	3-140, 3-141
H413B-RMV & H426B-RMV .....	3-142, 3-143
H426B-REBMV .....	3-144, 3-145
H428B-RTRMV .....	3-146, 3-147
H428B-RMV/Non Vapor .....	3-148, 3-149
H428-REBTRMV .....	3-150, 3-151
Outlet Adapter Assy (Interim & Full Vapor)	
1st Design .....	3-152, 3-153
2nd Design .....	3-154, 3-155
Non Vapor Recovery Outlet Adapter Assembly .....	3-156, 3-157
Check Valve Assembly	
30" (1st Design) .....	3-158, 3-159
45" (1st Design) .....	3-160, 3-161
30" & 45" (2nd Design) ...	3-162, 3-163
Blackmer Pump Assembly .....	3-164, 3-165
Max Vac Pump Assembly	
24" Wide Raceway .....	3-166, 3-167
20" Wide Raceway .....	3-168, 3-169
Return Line Assembly (24" Wide Raceway)	
H413B-R-V1 & H426B-R-V1 .....	3-170, 3-171
All models except listed (1st Design) .....	3-172, 3-173
(2nd Design) .....	3-174, 3-175
H311/22B-RB3/5, H411/22B-R/ REB .....	3-176, 3-177
Discharge Clamp Assembly .....	3-178, 3-179
7/8" MaxVac Tubing (24" Wide Raceway) .....	3-180

DISCHARGE ASSEMBLY (24" Wide Raceway)  
 (H311B, H312B, H322B & H324B)  
 (1st Design See Serial Break List 71144)



For parts callout of  
 Discharge Clamp Assembly  
 see drawing no. 72214.

3-73871

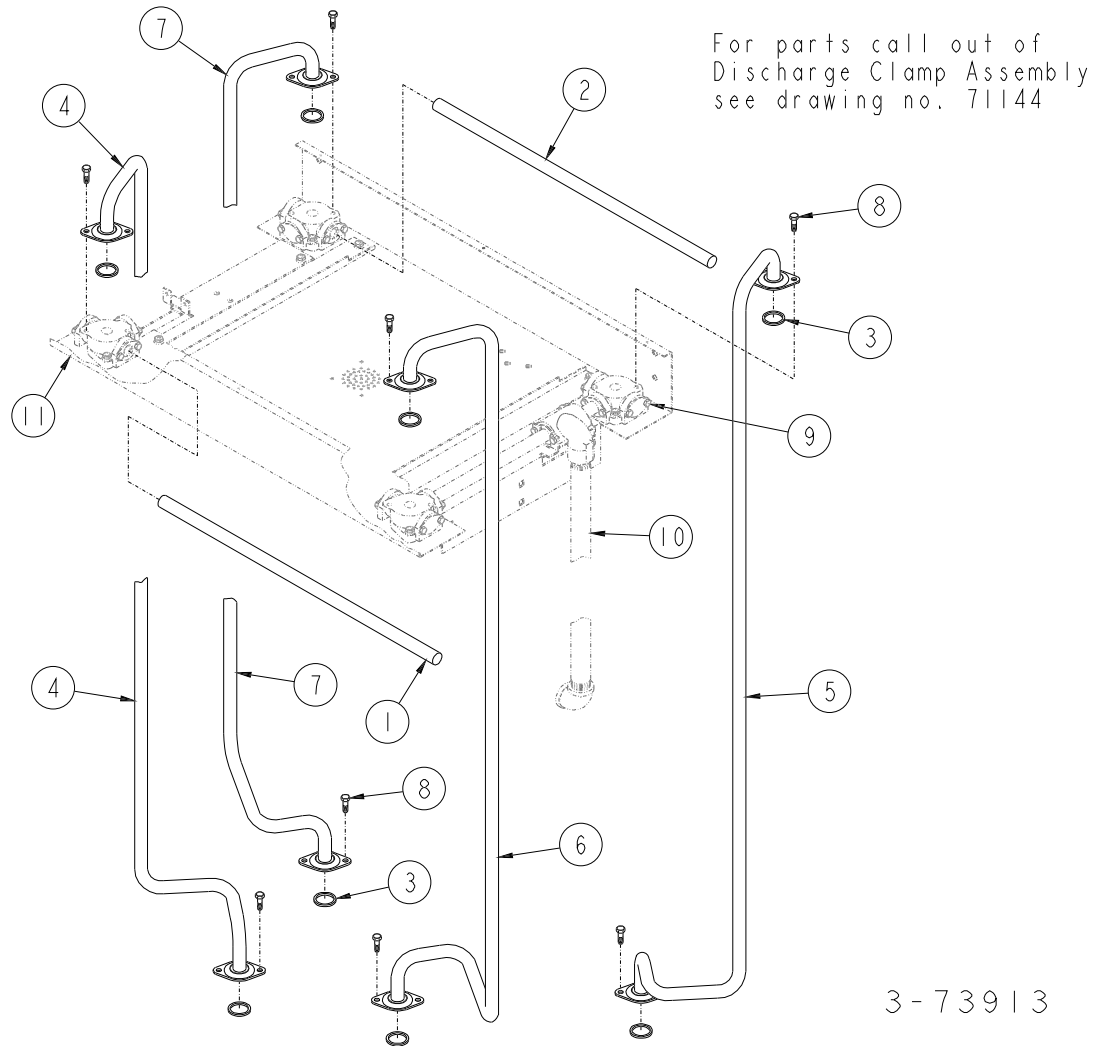
**DISCHARGE ASSEMBLY (24" Wide Raceway)**  
**(H311B, H312B, H322B & H324B)**  
**(1st Design See Serial Break List 71144)**

ITEM NO.	PART NO.	DESCRIPTION
1	78-230486	Vapor Tube (H312B & H324B)
2	78-230486	Vapor Tube (H324B)
3	1-230993	90° Inverted Flare Elbow
4	1-230994	Inverted Flare Connector
5	319460-1	Discharge Tube Assembly (H312B & H324B)
6	319460-1	Discharge Tube Assembly (H322B & H324B)
7	319470-1	Discharge Tube Assembly (H311B, H312B, H322B & H324B)
8	319470-1	Discharge Tube Assembly (H322B & H324B)
9		<u>For parts call out of Outlet Adapter Assembly see 72276.</u>
10		<u>For parts call out of Vapor Return Line Assembly see 72277.</u>
11		<u>For parts call out of Raceway Assembly see 72218.</u>

Reference for Tokheim internal use only:

319625 Raceway Assembly  
319635 Trim Assembly

DISCHARGE ASSEMBLY (24" Wide Raceway)  
(H311B, H312B, H322B & H324B)  
(2nd Design See Serial Break List 71144)

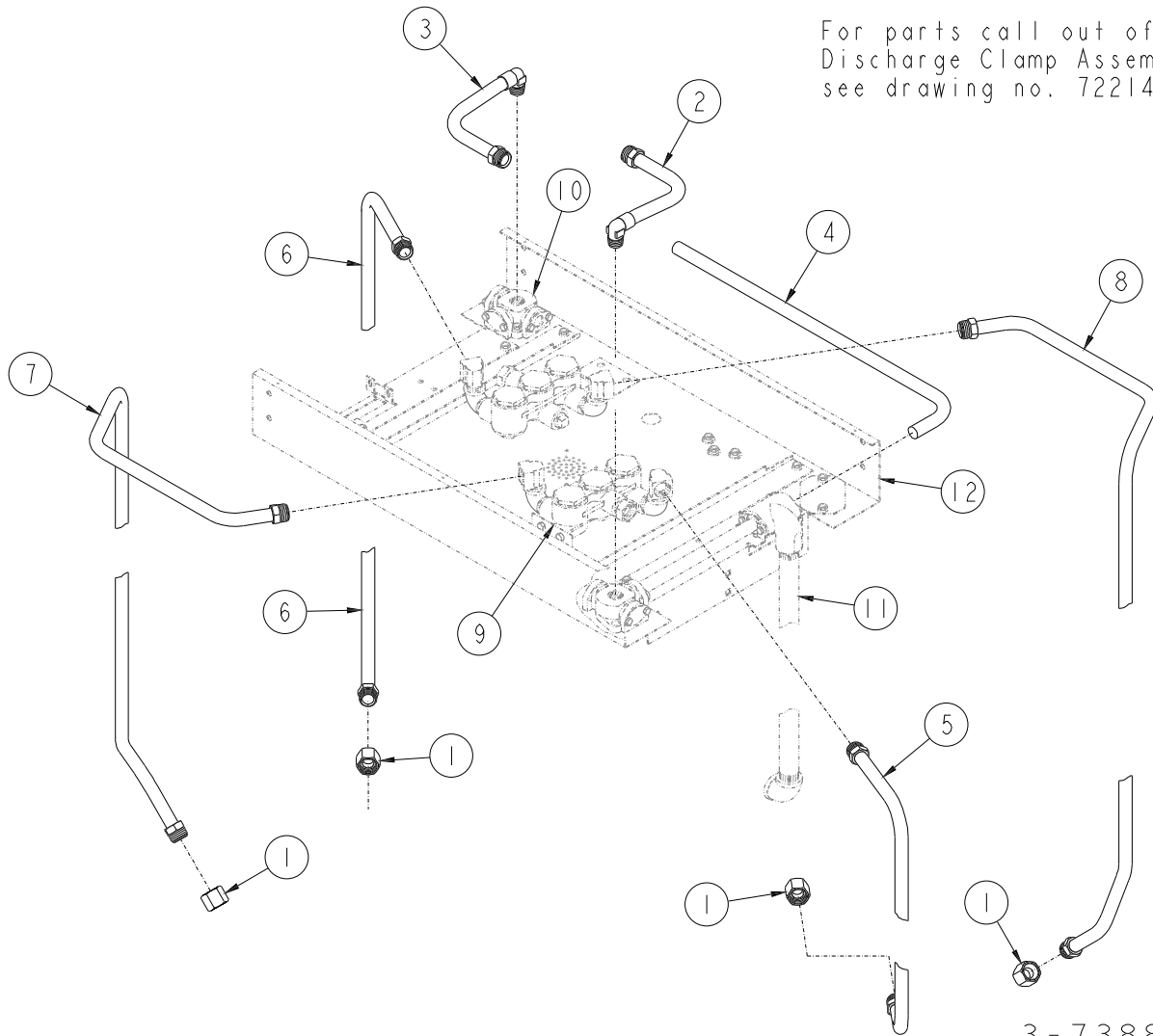


**DISCHARGE ASSEMBLY (24" Wide Raceway)**  
**(H311B, H312B, H322B & H324B)**  
**(2nd Design See Serial Break List 71144)**

ITEM NO.	PART NO.	DESCRIPTION
1	78-230486	Vapor Tube (H312B & H324B)
2	78-230486	Vapor Tube (H324B)
3	13-313235	Gasket
4	421519-1	Discharge Tube Assembly (H312B & H324B)
5	421519-1	Discharge Tube Assembly (H322B & H324B)
6	421520-1	Discharge Tube Assembly (H311B, H312B, H322B & H324B)
7	421520-1	Discharge Tube Assembly (H324B)
8	35-55132	5/15-18 x 5/8" Long M-F Flange Whiz Lock Screw
9	<u>For parts call out of Outlet Adapter Assembly see:</u>	
	72280	Vapor Recovery
	72615	Non Vapor Recovery
10	<u>For parts call out of Vapor Return Line Assembly see 72277.</u>	
11	<u>For parts call out of Raceway Assembly see</u>	
	72218	Standard
	72365	With Bottom Access
	<u>Reference for Tokheim internal use only:</u>	
	319811	Raceway Assembly
	319821	Trim Assembly

DISCHARGE ASSEMBLY (24" Wide Raceway)  
(H311B-RB3/RB5 & H322B-RB3/RB5)  
(1st Design See Serial Break List 71144)

For parts call out of  
Discharge Clamp Assembly  
see drawing no. 72214.



3-73889

**DISCHARGE ASSEMBLY (24" Wide Raceway)**  
**(H311B-RB3/RB5 & H322B-RB3/RB5)**  
**(1st Design See Serial Break List 71144)**

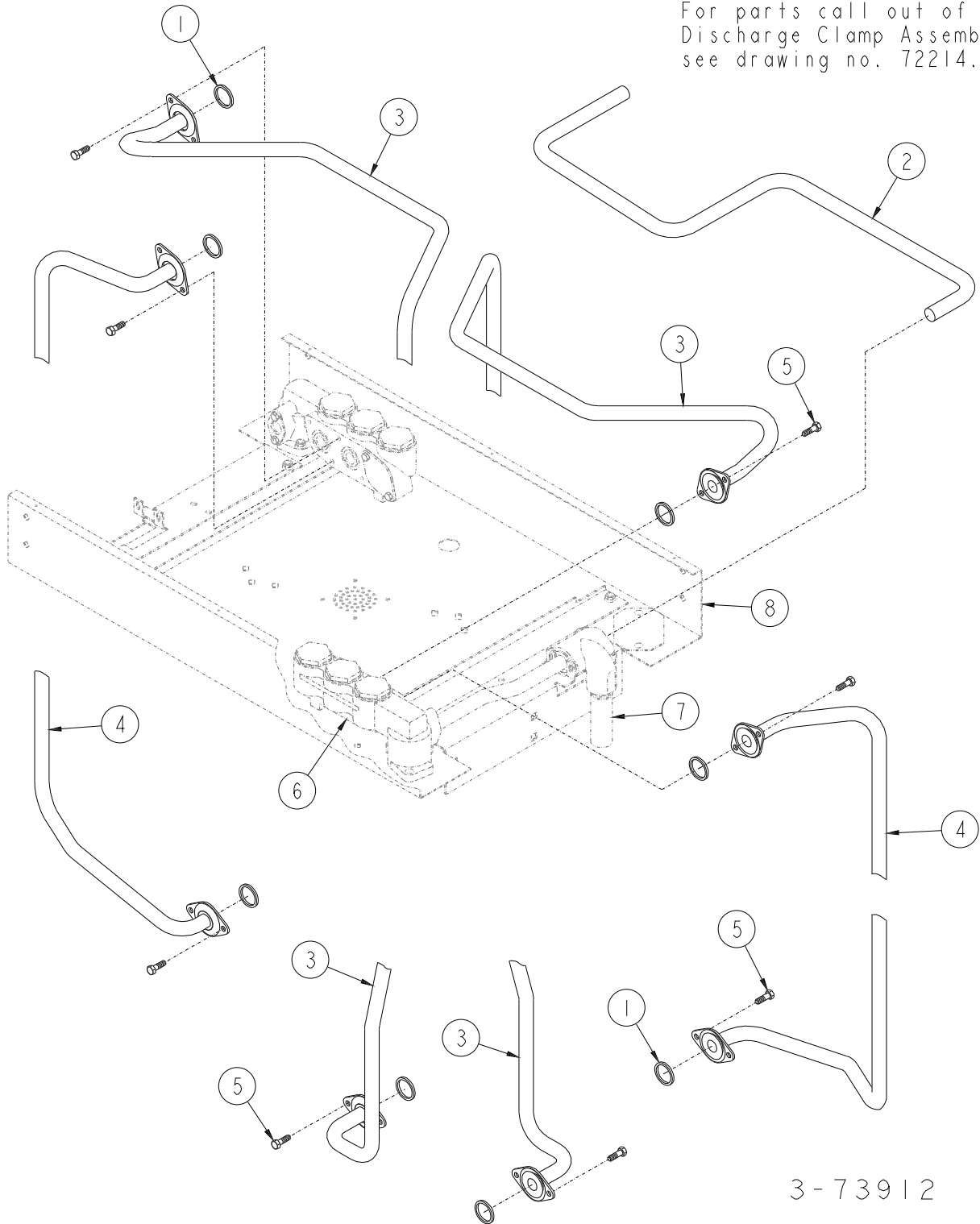
ITEM NO.	PART NO.	DESCRIPTION
1	1-231845	Union
2	319680-1	Fuel Tube Assembly (H311B-RB3/RB5 & H322B-RB3/RB5 Side "A")
3	319680-1	Fuel Tube Assembly (H322B-RB3/RB5 Side "B")
4	2-421440	Vapor Tube (H322B-RB3/RB5 only)
5	421462-1	Discharge Tube Assembly (H311B-RB3/RB5 & H322B-RB3/RB5 Side "A")
6	421462-1	Discharge Tube Assembly ((H322B-RB3/RB5 Side "B")
7	421480-1	Discharge Tube Assembly (H311B-RB3/RB5 & H322B-RB3/RB5 Side "A")
8	421480-1	Discharge Tube Assembly ((H322B-RB3/RB5 Side "B")
9		<u>For parts call out of Check Valve Assembly see 72232.</u>
10		<u>For parts call out of Outlet Adapter Assembly see 72276.</u>
11		<u>For parts call out of Vapor Return Line Assembly see 72277.</u>
12		<u>For parts call out of Raceway Assembly see 72218.</u>

Reference for Tokheim internal use only:

319625 Raceway Assembly  
319635 Trim Assembly

DISCHARGE ASSEMBLY (24" Wide Raceway  
(H311B-RB3/RB5 & H322B-RB3/RB5)  
(2nd Design See Serial Break List 71144)

For parts call out of  
Discharge Clamp Assembl  
see drawing no. 72214.



3-73912

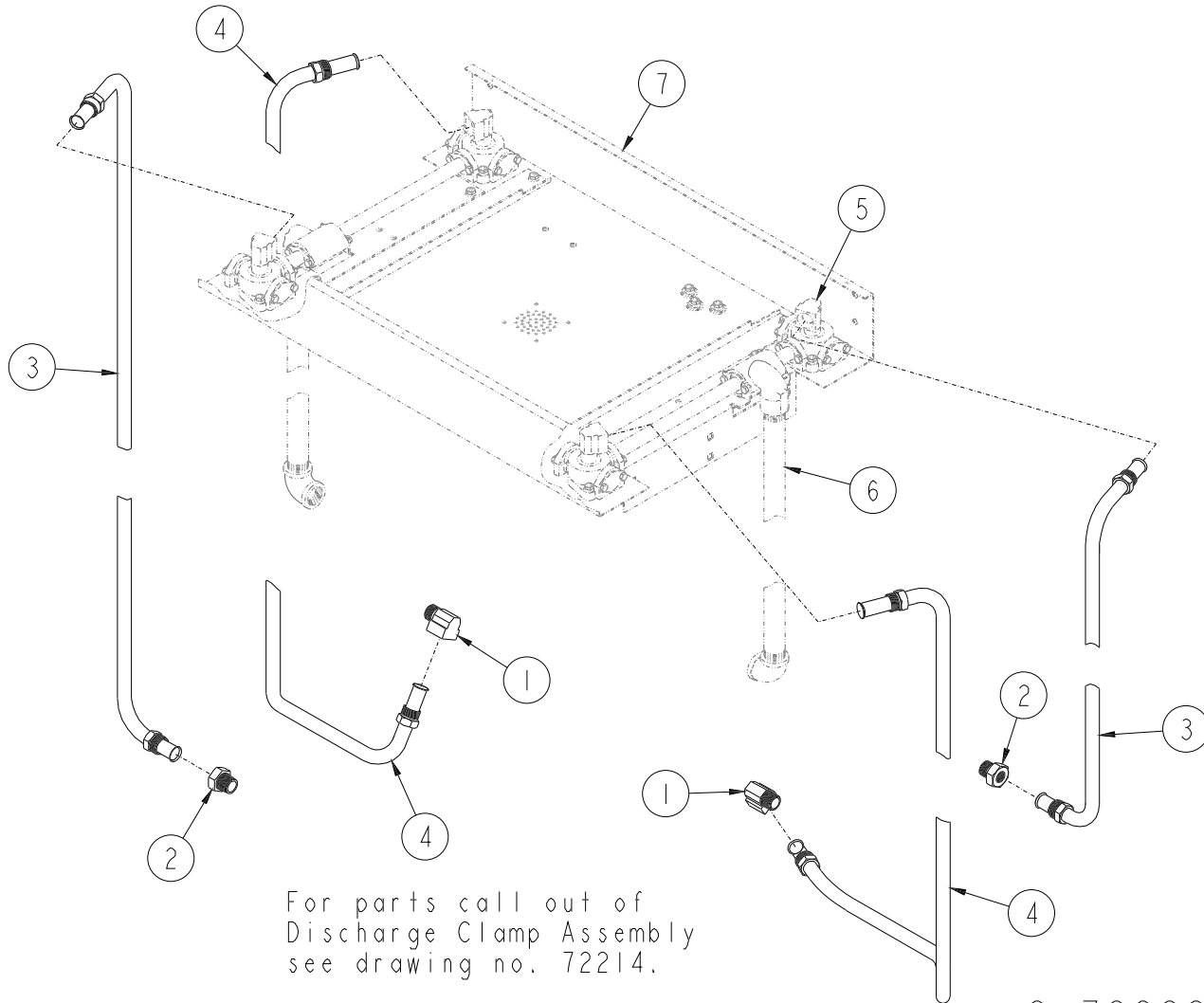
**DISCHARGE ASSEMBLY (24" Wide Raceway)**  
**(H311B-RB3/RB5 & H322B-RB3/RB5)**  
**(2nd Design See Serial Break List 71144)**

ITEM NO.	PART NO.	DESCRIPTION
1	13-313235	Gasket
2	1-319799	Outlet Vapor Tube (H322B-RB3/RB5 only)
3	421615-1	Discharge Tube Assembly
4	421617-1	Discharge Tube Assembly
5	35-55132	5/16-18 x 5/8" Long M-F Flange Whiz Lock Screw
6	<u>For parts call out of Check Valve Assembly see 72283.</u>	
7	<u>For parts call out of Vapor Return Line Assembly see 72282.</u>	
8	<u>For parts call out of Raceway Assembly see 72218.</u>	

Reference for Tokheim internal use only:

319811	Raceway Assembly
319821	Trim Assembly

DISCHARGE ASSEMBLY (24" Wide Raceway)  
(H324B Dual Vapor Return Lines)  
(1st Design See Serial Break List 71144)



3-73888

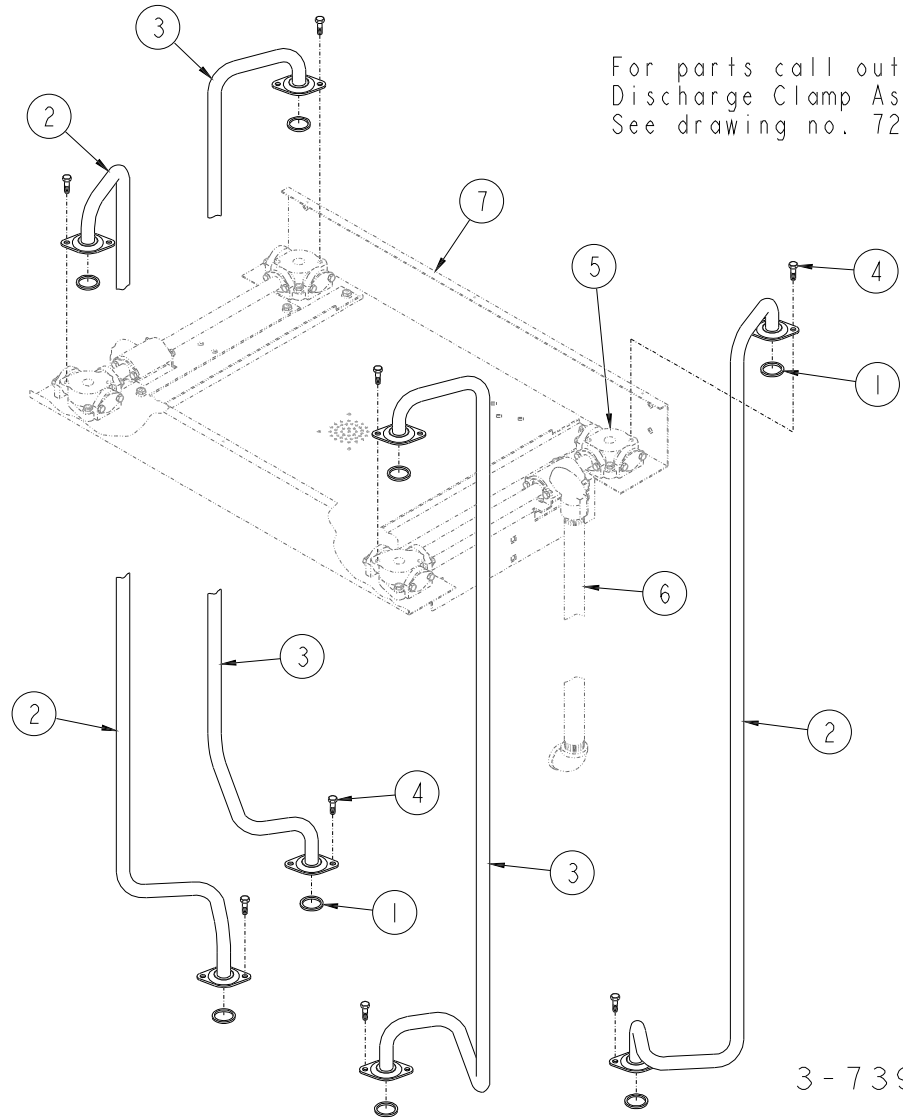
**DISCHARGE ASSEMBLY (24" Wide Raceway)**  
**(H324B Dual Vapor Return Lines)**  
**(1st Design See Serial Break List 71144)**

ITEM NO.	PART NO.	DESCRIPTION
1	1-230993	90° Inverted Flare Elbow
2	1-230994	Inverted Flare Connector
3	319460-1	Discharge Tube Assembly
4	319470-1	Discharge Tube Assembly
5		<u>For parts call out of Outlet Adapter Assembly see 72276.</u>
6		<u>For parts call out of Vapor Return Line Assembly see 72277.</u>
7		<u>For parts call out of Raceway Assembly see 72218.</u>

Reference for Tokheim internal use only:

319625 Raceway Assembly  
319635 Trim Assembly

DISCHARGE ASSEMBLY (24" Wide Raceway)  
(H324B Dual Vapor Return Lines)  
(2nd Design See Serial Break List 71144)



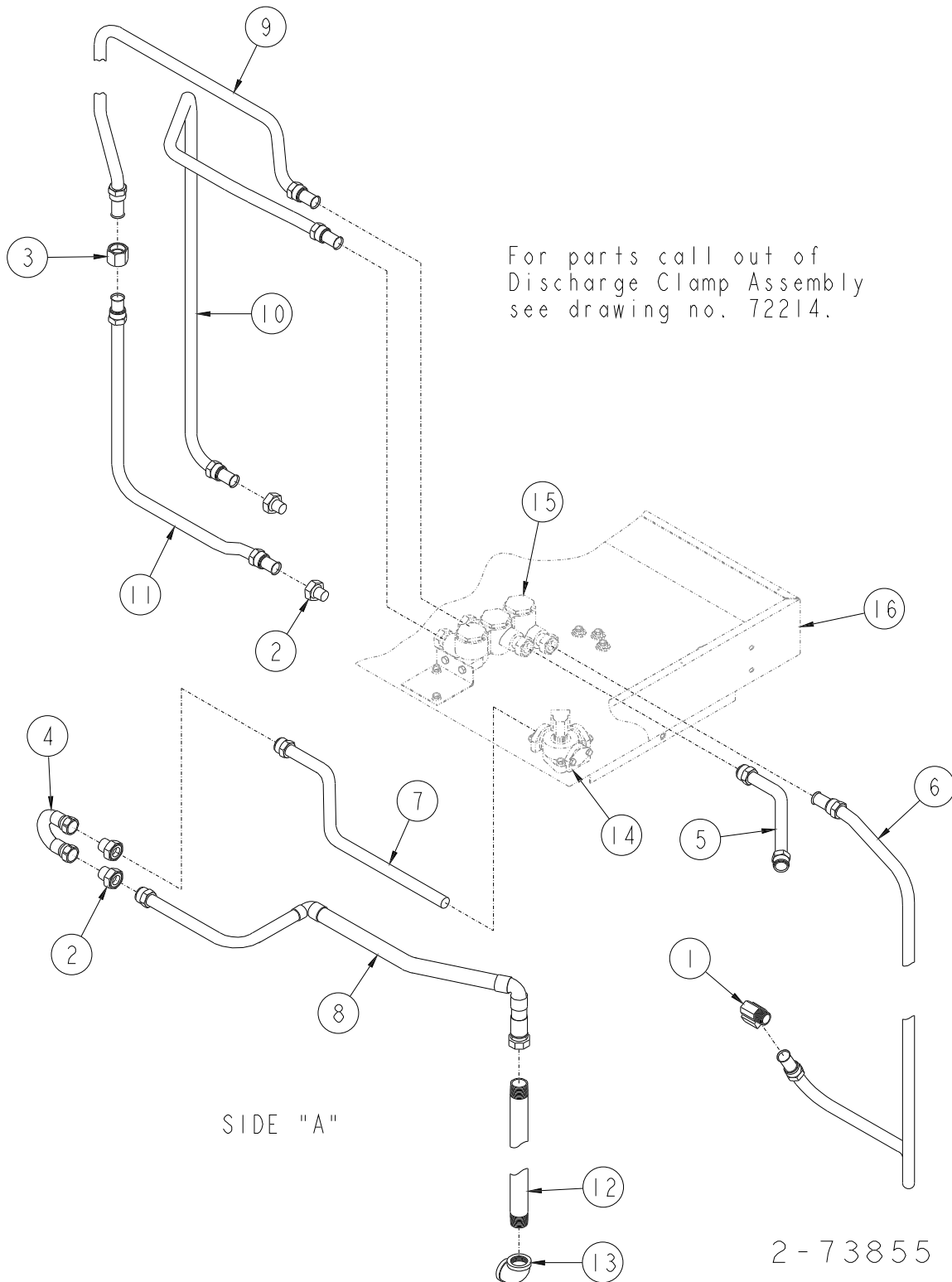
For parts call out of  
Discharge Clamp Assembly  
See drawing no. 72214.

3-73914

**DISCHARGE ASSEMBLY (24" Wide Raceway)**  
**(H324B Dual Vapor Return Lines)**  
**(2nd Design See Serial Break List 71144)**

ITEM NO.	PART NO.	DESCRIPTION
1	13-313235	Gasket
2	421519-1	Discharge Tube Assembly
3	421520-1	Discharge Tube Assembly
4	35-55132	5/15-18 x 5/8" Long M-F Flange Whiz Lock Screw
5	<u>For parts call out of Outlet Adapter Assembly see:</u>	
	72280	Vapor Recovery
	72615	Non Vapor Recovery
6	<u>For parts call out of Vapor Return Line Assembly see 72277.</u>	
7	<u>For parts call out of Raceway Assembly see 72218.</u>	
	<u>Reference for Tokheim internal use only:</u>	
	319811	Raceway Assembly
	319821	Trim Assembly

DISCHARGE ASSEMBLY (24" Wide Raceway)  
 (H411B)  
 (Serial No. 04925 & Below)



## DISCHARGE ASSEMBLY (24" Wide Raceway) (H411B)

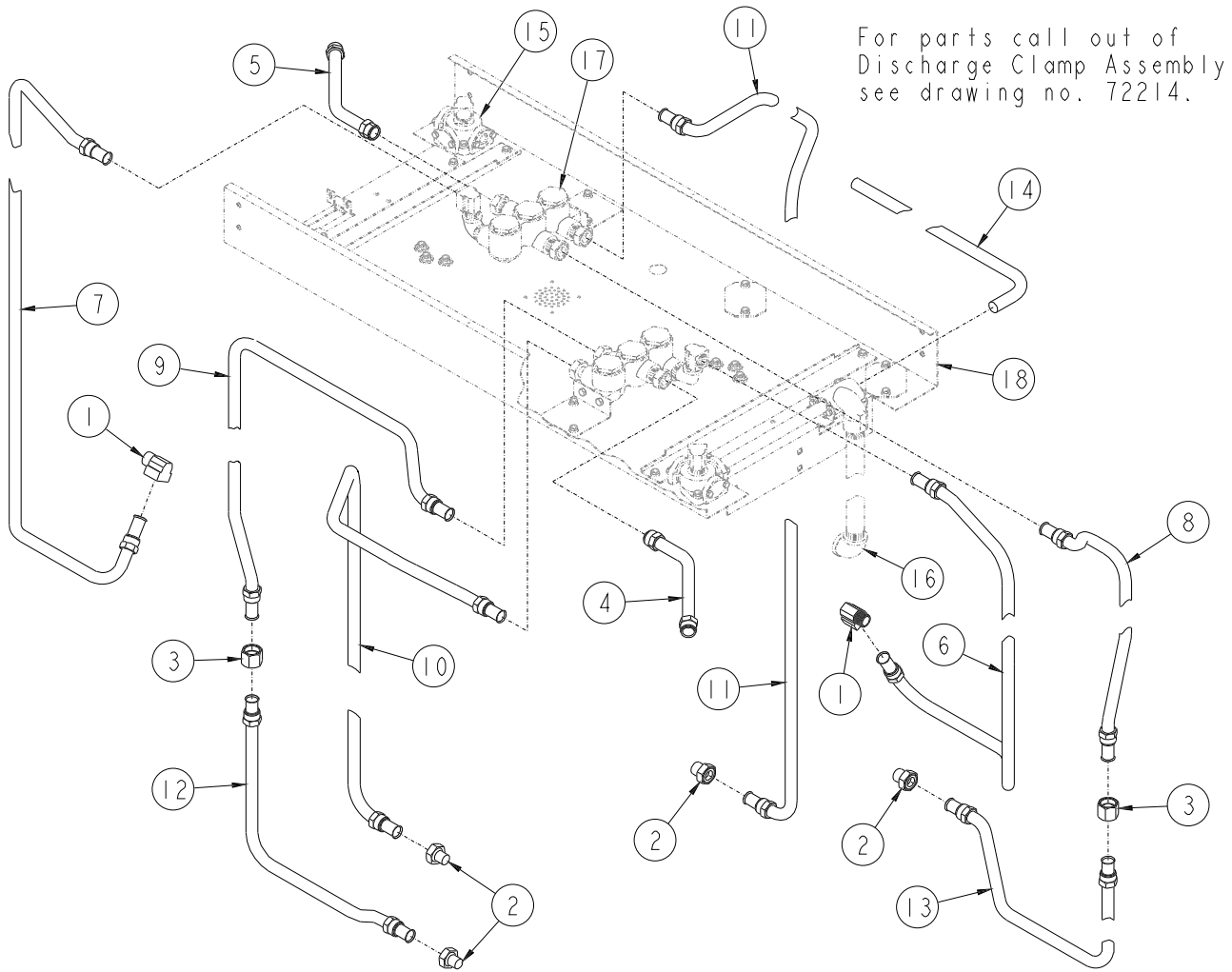
(Serial No. 04925 & Below)

ITEM NO.	PART NO.	DESCRIPTION
1	1-230993	90° Inverted Flare Elbow
2	1-230994	Inverted Flare Connector
3	1-231845	Inverted Flare Union
4	232201-1	Vapor Tube Assembly
5	319421-1	Outlet Tube Assembly
6	319439-2	Discharge Tube Assembly
7	421217-2	Vapor Tube Weld Assembly
8	421234-1	Vapor Tube Assembly
9	421235-1	Discharge Tube Assembly
10	421236-1	Discharge Tube Assembly
11	421262-1	Discharge Tube Assembly
12	307-50510	1" x 83-1/2" Long Pipe
13	06-51700	90° Banded Elbow
14	<u>For parts call out of Outlet Adapter Assembly see 72276.</u>	
15	<u>For parts call out of Check Valve Assembly see 72278.</u>	
16	<u>For parts call out of Raceway Assembly see 72218.</u>	

Reference for Tokheim internal use only:

319394	Chassis Assembly
319395	Trim Assembly
319396	Raceway Assembly

DISCHARGE ASSEMBLY (24" Wide Raceway)  
 (H411B & H422B)  
 (Serial No. 04926 Thru 011868)



3-73891

**DISCHARGE ASSEMBLY (24" Wide Raceway)**  
**(H411B & H422B)**  
**(Serial No. 04926 Thru 011868)**

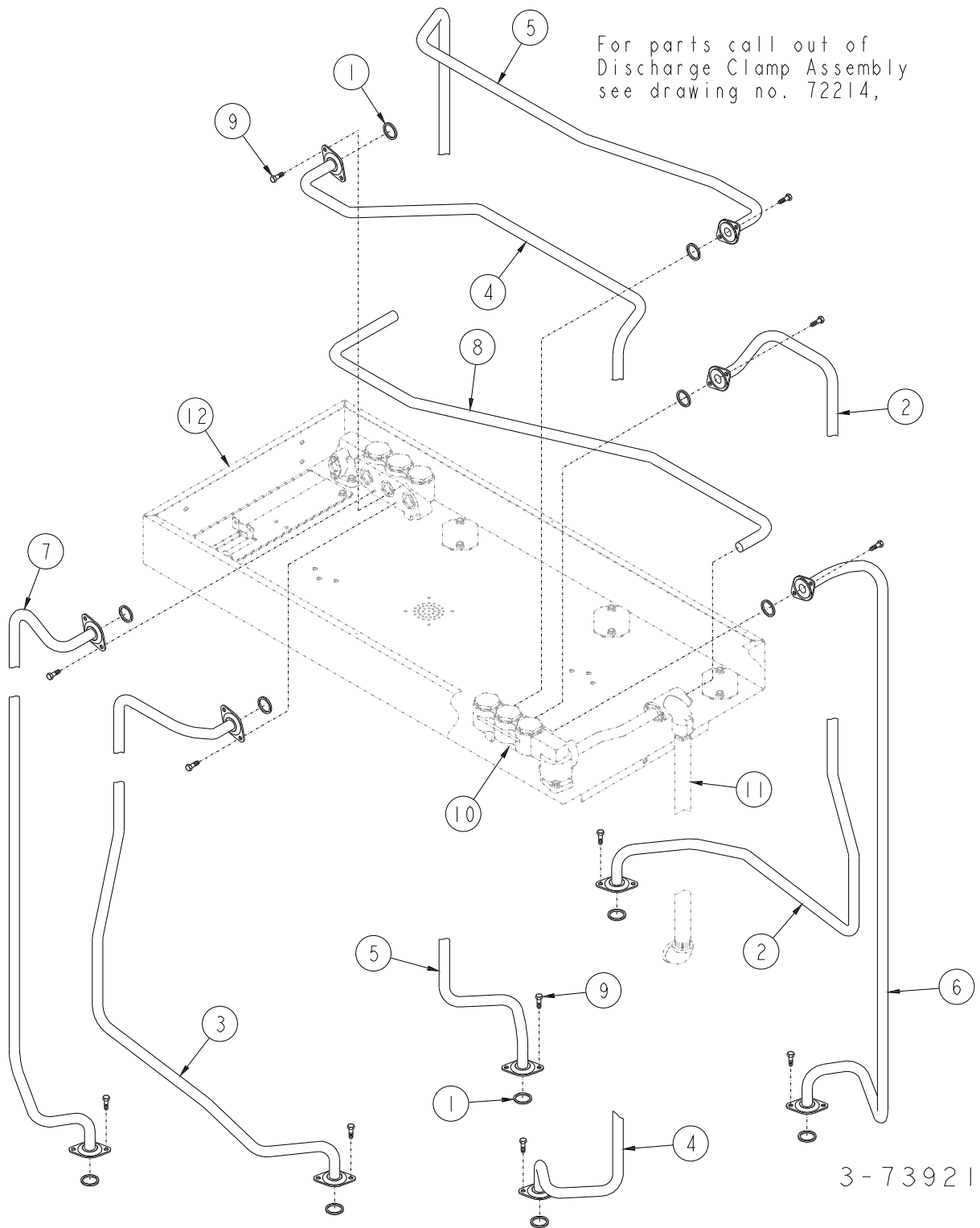
ITEM NO.	PART NO.	DESCRIPTION
1	1-230993	90° Inverted Flare Elbow
2	1-230994	Inverted Flare Connector
3	1-231845	Inverted Flare Union
4	319421-1	Outlet Tube Assembly (H411B & H422B Side "A")
5	319421-1	Outlet Tube Assembly (H422B Side "B")
6	319439-2	Discharge Tube Assembly (H411B & H422B Side "A")
7	319439-2	Discharge Tube Assembly (H422B Side "B")
8	421235-1	Discharge Tube Assembly (H411B & H422B Side "A")
9	421235-1	Discharge Tube Assembly (H422B Side "B")
10	421236-1	Discharge Tube Assembly (H411B & H422B Side "A")
11	421236-1	Discharge Tube Assembly (H422B Side "B")
12	421262-1	Discharge Tube Assembly (H411B & H422B Side "A")
13	421262-1	Discharge Tube Assembly (H422B Side "B")
14	1-421440	Vapor Tube (H422B Side "B")
15	<u>For parts call out of Outlet Adapter Assembly see 72276.</u>	
16	<u>For parts call out of Vapor Return Line Assembly see 72277.</u>	

ITEM NO.	PART NO.	DESCRIPTION
17	<u>For parts call out of Check Valve Assembly see 72232.</u>	
18	<u>For parts call out of Raceway Assembly see 72218.</u>	

Reference for Tokheim internal use only:

319394	Chassis Assembly
319395	Trim Assembly
319396	Raceway Assembly

DISCHARGE ASSEMBLY (24" Wide Raceway)  
 (H411B-R & H422B-R)  
 (2nd Design See Serial Break List 71144)



**DISCHARGE ASSEMBLY (24" Wide Raceway)**  
**(H411B-R & H422B-R)**  
**(2nd Design See Serial Break List 71144)**

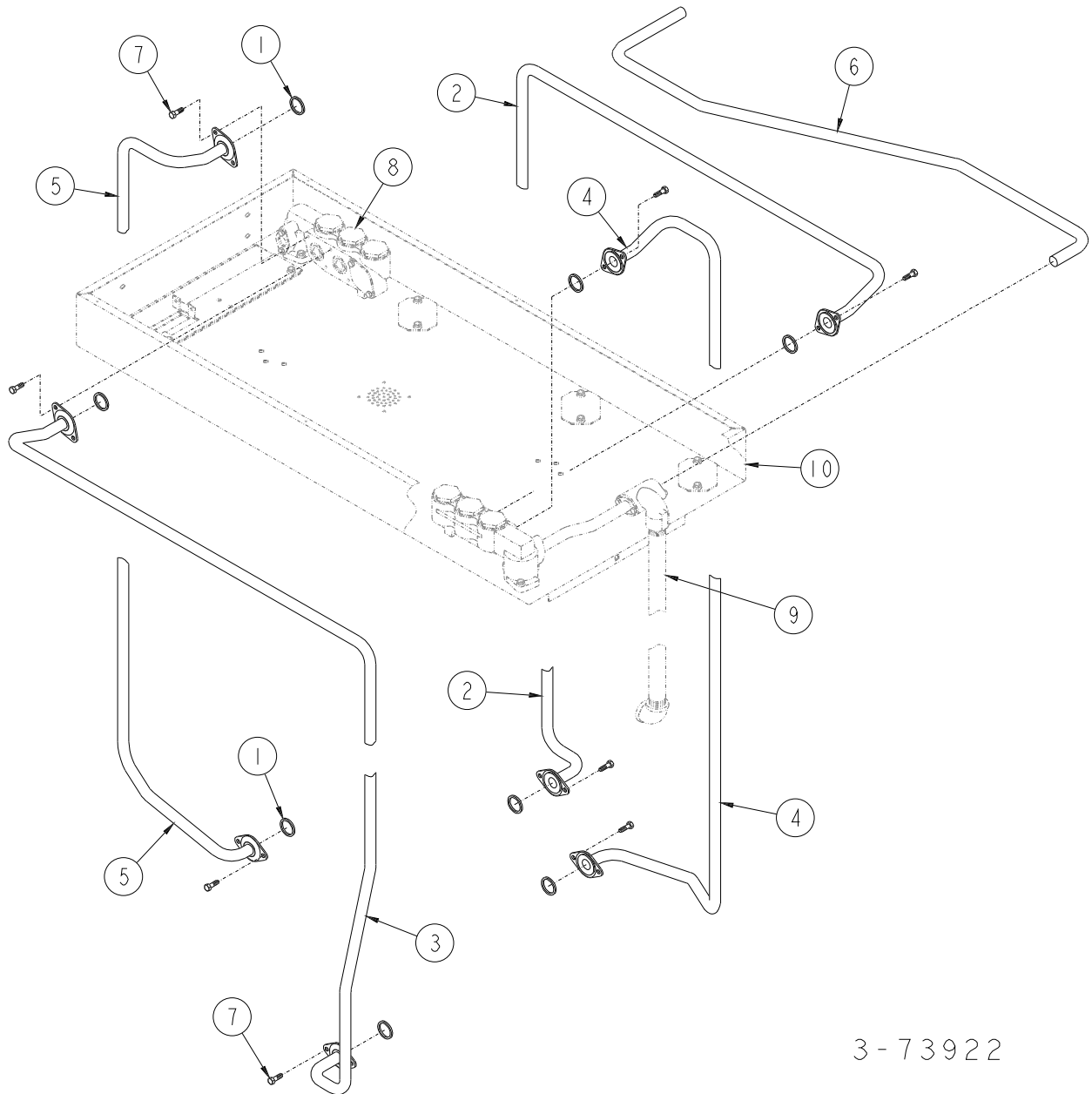
ITEM NO.	PART NO.	DESCRIPTION
1	13-313235	Gasket
2	319728-1	Discharge Tube Assembly (H411B-R & H422B-R Side "A")
3	319728-1	Discharge Tube Assembly (H422B-R Side "B")
4	319738-1	Discharge Tube Assembly (H411B-R & H422B-R Side "A")
5	319738-1	Discharge Tube Assembly (H422B-R Side "B")
6	421511-1	Discharge Tube Assembly (H411B-R & H422B-R Side "A")
7	421511-1	Discharge Tube Assembly (H422B-R Side "B")
8	1-421536	Vapor Tube (H422B-R Side "B")
9	35-55132	5/16-18 x 5/8" Long M-F Flange Whiz Lock Screw
10	<u>For parts call out of Check Valve Assembly see 72283.</u>	
11	<u>For parts call out of Vapor Return Line Assembly see 72282.</u>	
12	<u>For parts call out of Raceway Assembly see 72218.</u>	

Reference for Tokheim internal use only:

319742	Raceway Assembly
319743	Trim Assembly

DISCHARGE ASSEMBLY (24" Wide Raceway)  
(H411B-REB & H422B-REB)  
(2nd Design See Serial Break List 71144)

For parts call out of  
Discharge Clamp Assembly  
see drawing no. 72214.



3-73922

**DISCHARGE ASSEMBLY (24" Wide Raceway)**  
**(H411B-REB & H422B-REB)**  
**(2nd Design See Serial Break List 71144)**

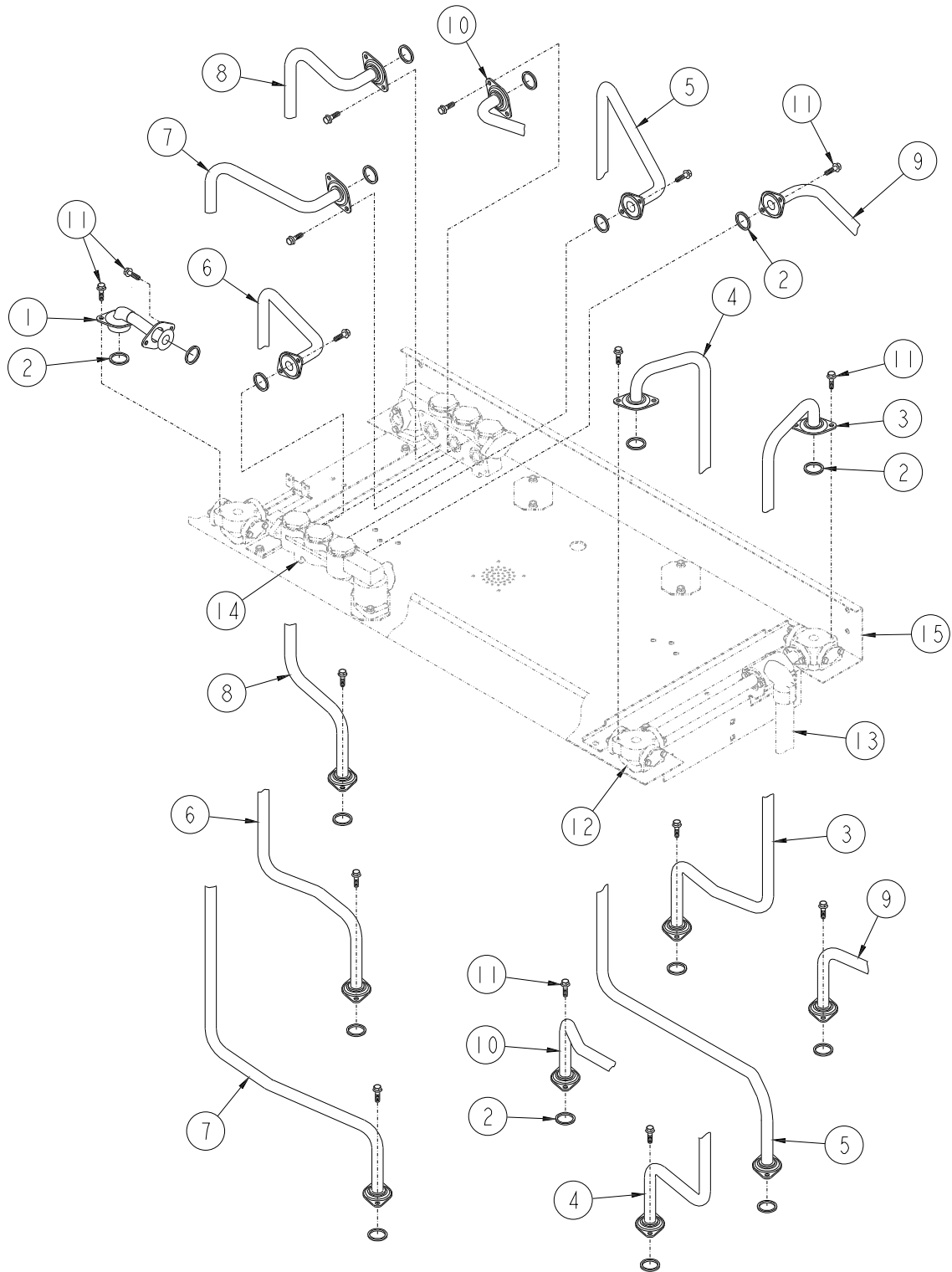
ITEM NO.	PART NO.	DESCRIPTION
1	13-313235	Gasket
2	421619-1	Discharge Tube Assembly (H411B-REB & H422B-REB Side "A")
3	421619-1	Discharge Tube Assembly (H422B-REB Side "B")
4	421621-1	Discharge Tube Assembly (H411B-REB & H422B-REB Side "A")
5	421621-1	Discharge Tube Assembly (H422B-REB Side "B")
6	1-421536	Vapor Tube (H422B-REB Side "B")
7	35-55132	5/16-18 x 5/8" Long M-F Flange Whiz Lock Screw
8		<u>For parts call out of Check Valve Assembly see 72283.</u>
9		<u>For parts call out of Vapor Return Line Assembly see 72282.</u>
10		<u>For parts call out of Raceway Assembly see 72218.</u>

Reference for Tokheim internal use only:

319742	Raceway Assembly
319743	Trim Assembly

# DISCHARGE ASSEMBLY (24" Wide Raceway)

(H412B & H424B)



For parts call out of  
Discharge Clamp Assembly  
see drawing no. 72214.

3-73961

## DISCHARGE ASSEMBLY (24" Wide Raceway) (H412B-R & H424B-R)

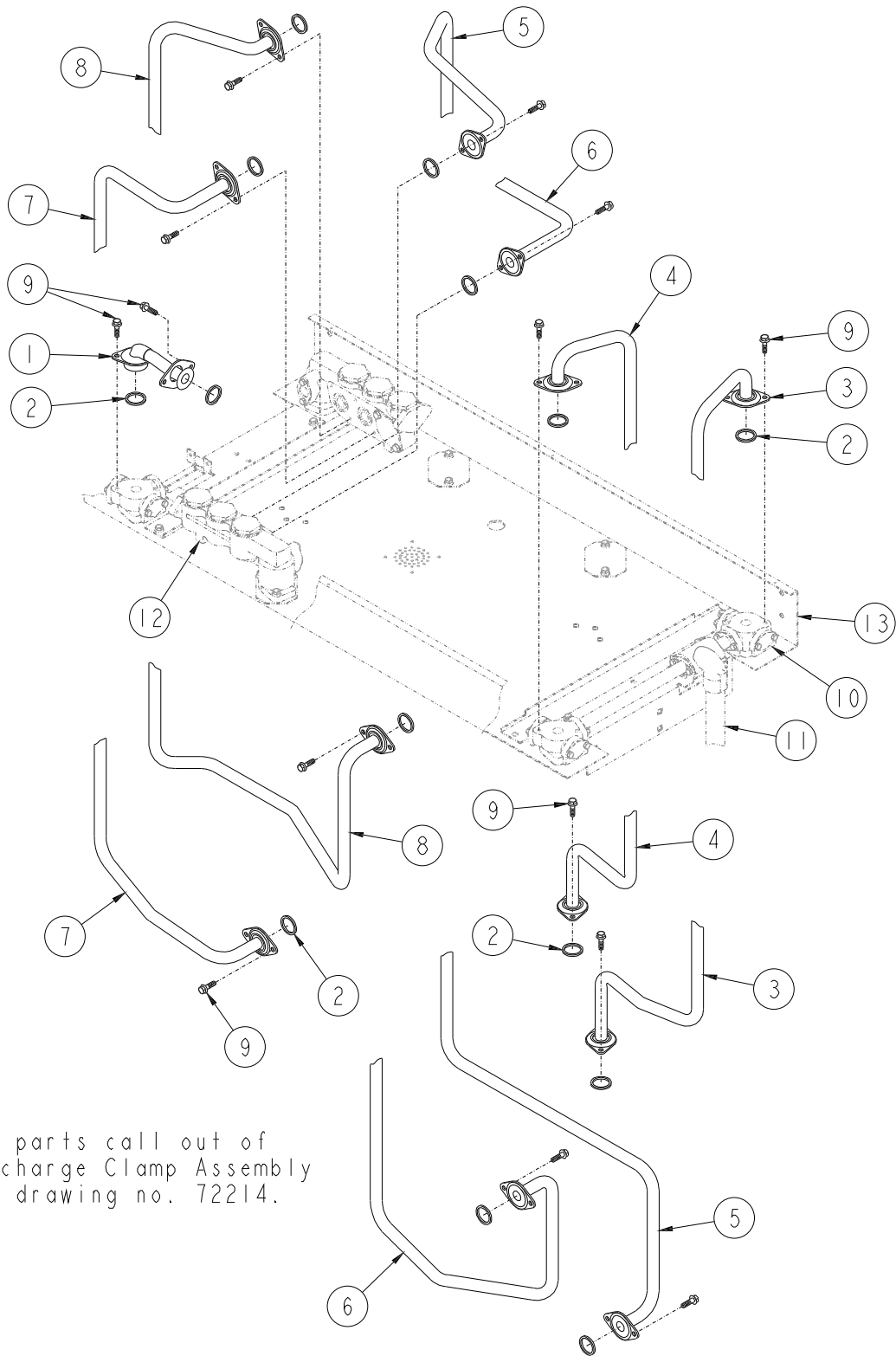
ITEM NO.	PART NO.	DESCRIPTION
1	232387-1	Jumper Tube Assembly
2	13-313235	Gasket
3	421595-1	Fuel Discharge Tube Assembly (H424B-R Side "B")
4	421601-1	Fuel Discharge Tube Assembly (H412B-R & H424B-R Side "A")
5	421820-7	Fuel Discharge Tube Assembly (H412B-R & H424B-R Side "A")
6	421820-8	Fuel Discharge Tube Assembly (H412B-R & H424B-R Side "A")
7	421820-9	Fuel Discharge Tube Assembly (H424B-R Side "B")
8	421820-10	Fuel Discharge Tube Assembly (H424B-R Side "B")
9	421820-11	Fuel Discharge Tube Assembly (H412B-R & H424B-R Side "A")
10	421820-12	Fuel Discharge Tube Assembly (H424B-R Side "B")
11	35-55132	5/16-18 x 5/8" Long M-F Flange Whiz Lock Screw
12	<u>For parts call out of Outlet Adapter Assembly see:</u>	
	72280	Vapor Recovery
	72615	Non Vapor Recovery
13	<u>For parts call out of Vapor Return Line Assembly see 72282.</u>	
14	<u>For parts call out of Check Valve Assembly see 72283.</u>	
15	<u>For parts call out of Raceway Assembly see 72218.</u>	

Reference for Tokheim internal use only:

319743	Trim Assembly
3197924	Raceway Assembly

# DISCHARGE ASSEMBLY (24" Wide Raceway)

(H412B-RB3 & H424B-RB3)



For parts call out of  
Discharge Clamp Assembly  
see drawing no. 72214.

3-73962

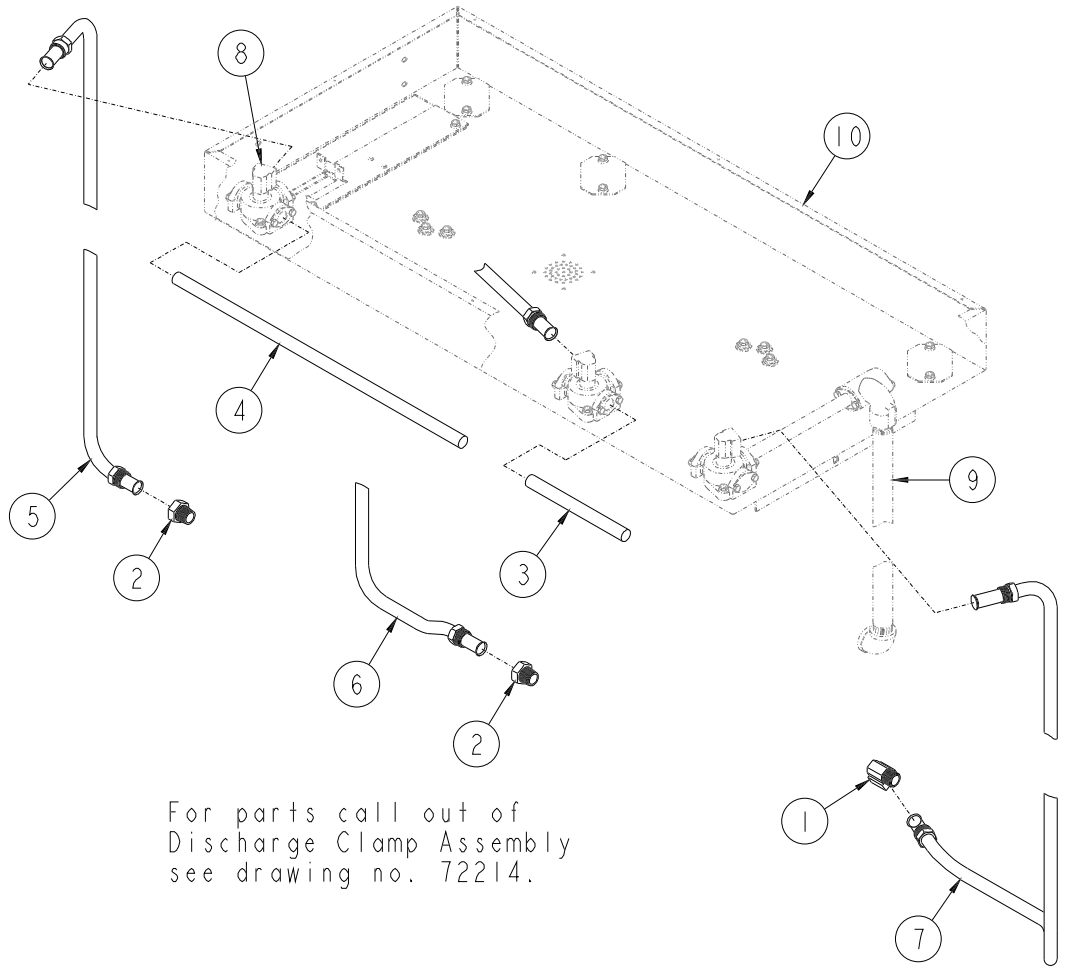
**DISCHARGE ASSEMBLY (24" Wide Raceway)**  
**(H412B-RB3 & H424B-RB3)**

ITEM NO.	PART NO.	DESCRIPTION
1	232387-1	Jumper Tube Assembly
2	13-313235	Gasket
3	421595-1	Fuel Discharge Tube Assembly (H424B-RB3 Side "B")
4	421601-1	Fuel Discharge Tube Assembly (H412B-RB3 & H424B-RB3 Side "A")
5	421820-1	Fuel Discharge Tube Assembly (H412B-RB3 & H424B-RB3 Side "A")
6	421820-2	Fuel Discharge Tube Assembly (H412B-RB3 & H424B-RB3 Side "A")
7	421820-5	Fuel Discharge Tube Assembly (H424B-RB3 Side "B")
8	421820-6	Fuel Discharge Tube Assembly (H424B-RB3 Side "B")
9	35-55132	5/16-18 x 5/8" Long M-F Flange Whiz Lock Screw
10	<u>For parts call out of Outlet Adapter Assembly see:</u>	
	72280	Vapor Recovery
	72615	Non Vapor Recovery
11	<u>For parts call out of Vapor Return Line Assembly see 72282.</u>	
12	<u>For parts call out of Check Valve Assembly see 72283.</u>	
13	<u>For parts call out of Raceway Assembly see 72218.</u>	

Reference for Tokheim internal use only:

319743	Trim Assembly
3197924	Raceway Assembly

DISCHARGE ASSEMBLY (24" Wide Raceway)  
(H413B)  
(1st Design See Serial Break List 71144)



For parts call out of  
Discharge Clamp Assembly  
see drawing no. 72214.

4-73844

## DISCHARGE ASSEMBLY (24" Wide Raceway) (H413B)

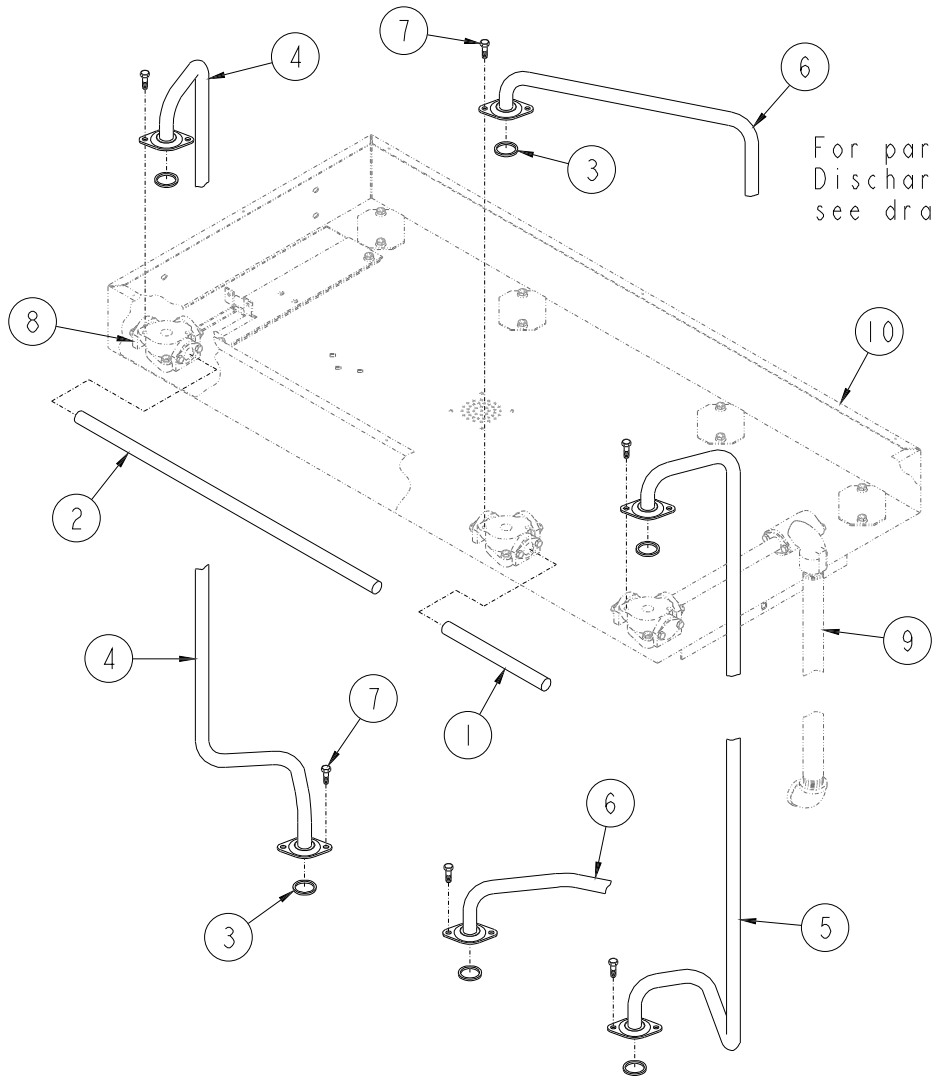
(1st Design See Serial Break List 71144)

ITEM NO.	PART NO.	DESCRIPTION
1	1-230993	90° Inverted Flare Elbow
2	1-230994	Inverted Flare Connector
3	67-230486	Vapor Tube (10.27" Long)
4	68-230486	Vapor Tube (28.27" Long)
5	319460-1	Discharge Tube Assembly
6	319469-1	Discharge Tube Assembly
7	319470-1	Discharge Tube Assembly
8		<u>For parts call out of Outlet Adapter Assembly see 72276.</u>
9		<u>For parts call out of Vapor Return Line Assembly see 72277.</u>
10		<u>For parts call out of Raceway Assembly see 72218.</u>

Reference for Tokheim internal use only:

319395	Trim Assembly
319396	Raceway Assembly

DISCHARGE ASSEMBLY (24" Wide Raceway)  
 (H413B)  
 (2nd Design See Serial Break List 71144)



For parts call out of  
 Discharge Clamp Assembly  
 see drawing no. 72214.

3-73915

## DISCHARGE ASSEMBLY (24" Wide Raceway) (H413B)

(2nd Design See Serial Break List 71144)

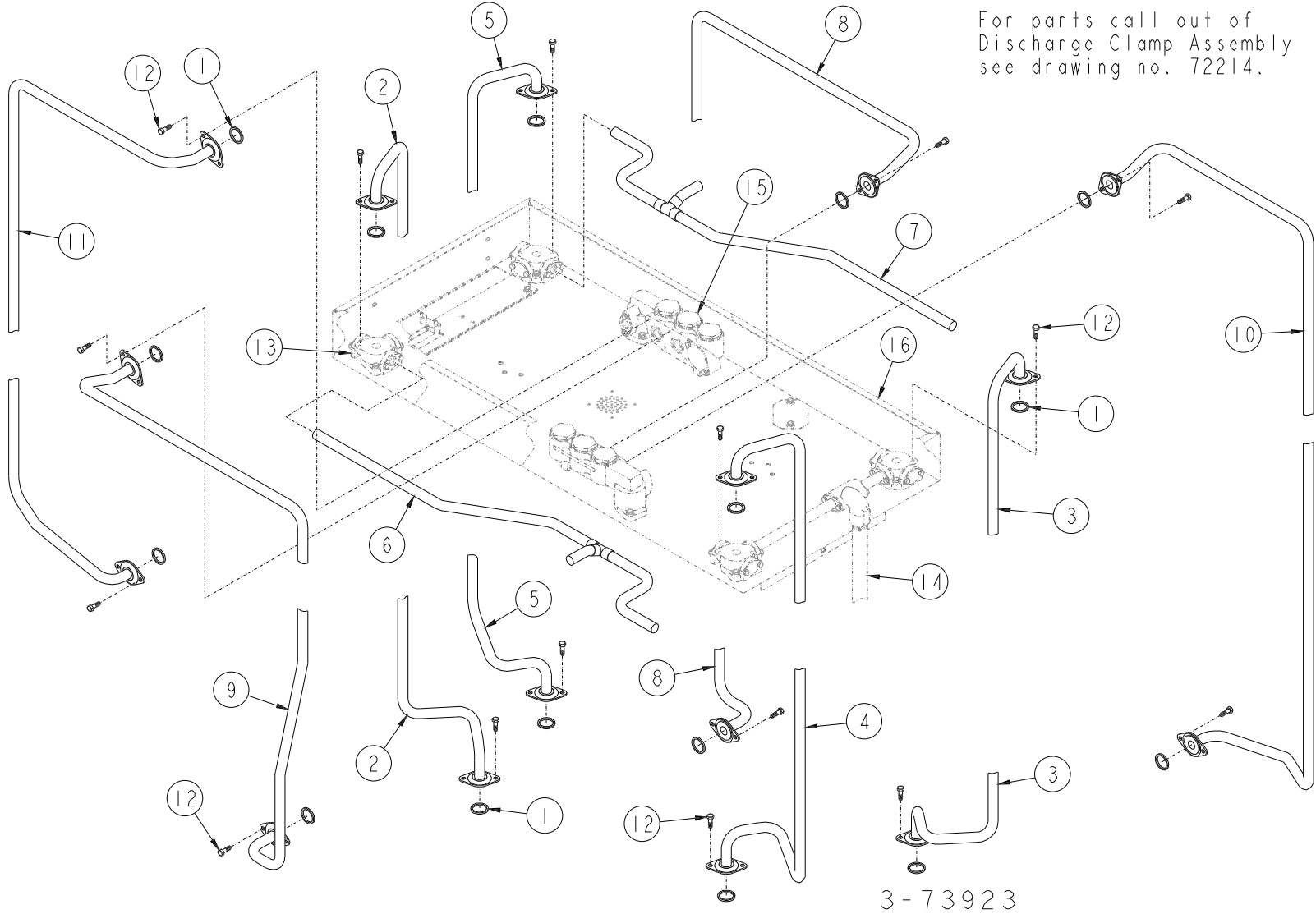
ITEM NO.	PART NO.	DESCRIPTION
1	67-230486	Vapor Tube (10.27" Long)
2	68-230486	Vapor Tube (28.27" Long)
3	13-313235	Gasket
4	421519-1	Discharge Tube Assembly
5	421520-1	Discharge Tube Assembly
6	421521-1	Discharge Tube Assembly
7	35-55132	5/15-18 x 5/8" Long M-F Flange Whiz Lock Screw
8	<u>For parts call out of Outlet Adapter Assembly see:</u>	
	72280	Vapor Recovery
	72615	Non Vapor Recovery
9	<u>For parts call out of Vapor Return Line Assembly see 72277.</u>	
10	<u>For parts call out of Raceway Assembly see 72218.</u>	

Reference for Tokheim internal use only:

319742	Raceway Assembly
319743	Trim Assembly

DISCHARGE ASSEMBLY (24" Wide Raceway)  
 (H413B-REB & H426B-REB)  
 (2nd Design See Serial Break List 71144)

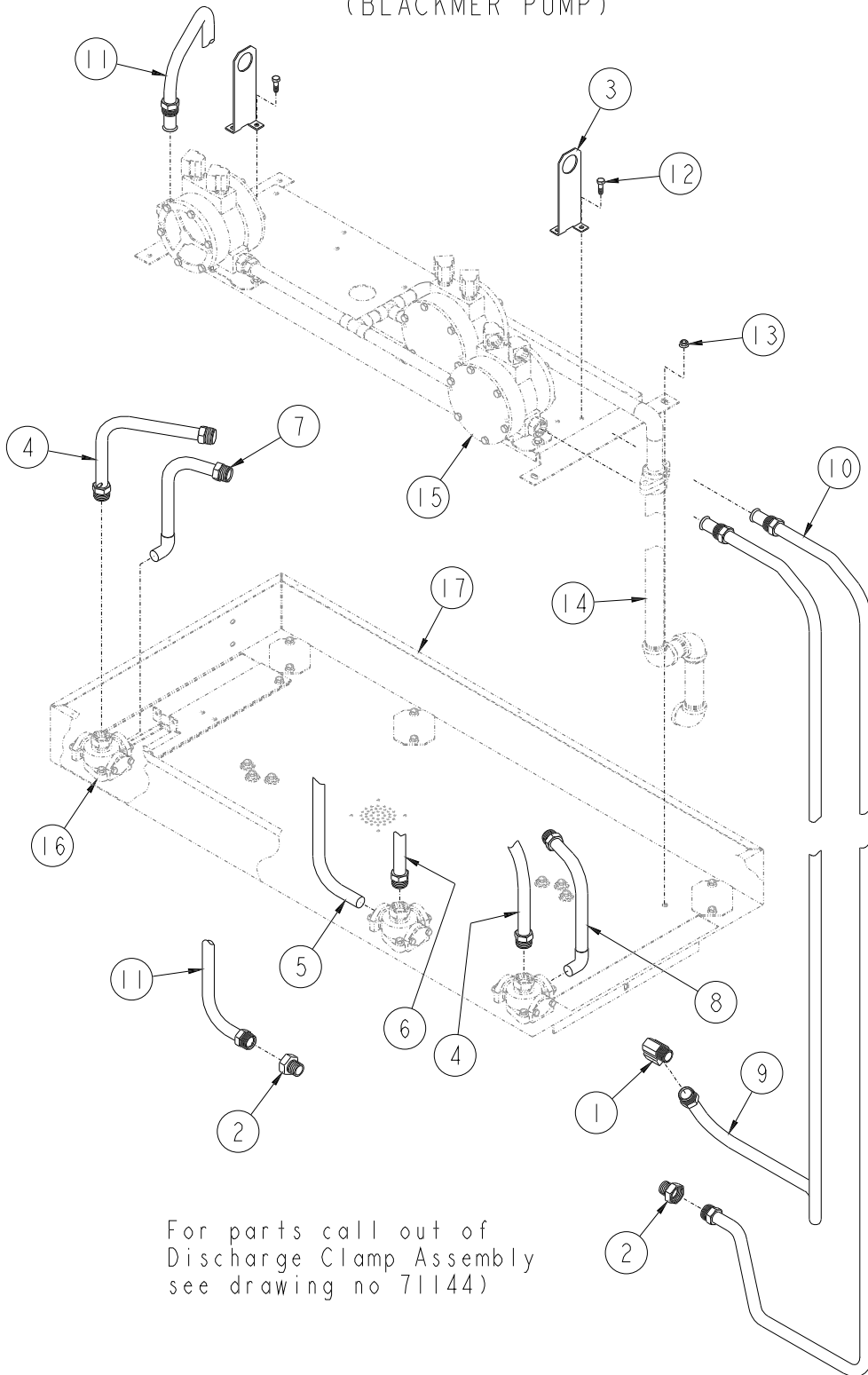
For parts call out of  
 Discharge Clamp Assembly  
 see drawing no. 72214.



**DISCHARGE ASSEMBLY (24" Wide Raceway)**  
**(H413B-REB & H426B-REB)**  
**(2nd Design See Serial Break List 71144)**

ITEM NO.	PART NO.	DESCRIPTION	ITEM NO.	PART NO.	DESCRIPTION
1	13-313235	Gasket	12	35-55132	5/15-18 x 5/8" Long M-F Flange Whiz Lock Screw
2	421519-1	Discharge Tube Assembly (H413B-REB & H426B-REB Side "A")	13	<u>For parts call out of Outlet Adapter Assembly see:</u>	
3	421519-1	Discharge Tube Assembly (H426B-REB Side "B")	72280	Vapor Recovery	
4	421520-1	Discharge Tube Assembly (H413B-REB & H426B-REB Side "A")	72615	Non Vapor Recovery	
5	421520-1	Discharge Tube Assembly (H426B-REB Side "B")	14	<u>For parts call out of Vapor Return Line Assembly see 72282.</u>	
6	1-421636	Vapor Manifold Assembly (H413B-REB & H426B-REB Side "A")	15	<u>For parts call out of Check Valve Assembly see 72283.</u>	
7	1-421636	Vapor Manifold Assembly (H426B-REB Side "B")	16	<u>For parts call out of Raceway Assembly see 72218.</u>	
8	421638-1	Discharge Tube Assembly (H413B-REB & H426B-REB Side "A")	<u>Reference for Tokheim internal use only:</u>		
9	421638-1	Discharge Tube Assembly (H426B-REB Side "B")	319742	Raceway Assembly	
10	421640-1	Discharge Tube Assembly (H413B-REB & H426B-REB Side "A")	319743	Trim Assembly	
11	421640-1	Discharge Tube Assembly (H426B-REB Side "B")			

DISCHARGE ASSEMBLY (24" Wide Raceway)  
 (H413B-R-VI)  
 (1st Design See Serial Break List 71144)  
 (BLACKMER PUMP)



3-73856

**DISCHARGE ASSEMBLY (24" Wide Raceway)**  
**(H413B-R-V1)**  
**(1st Design See Serial Break List 71144)**  
**(BLACKMER PUMP)**

ITEM NO.	PART NO.	DESCRIPTION
1	1-230993	90° Inverted Flare Elbow
2	1-230994	Inverted Flare Connector
3	1-319166	Lifting Bracket
4	319359-5	Product Tube Assembly
5	319562-1	Vapor Tube Assembly
6	319563-1	Product Tube Assembly
7	319477-1	Vapor Tube Assembly
8	319477-2	Vapor Tube Assembly
9	421219-1	Discharge Tube Assembly
10	421220-1	Discharge Tube Assembly
11	421221-1	Discharge Tube Assembly
12	35-55132	5/16-18 x 5/8" Long M-F Flange Whiz Lock Screw
13	02-54752	5/16-18 M-F Flange Whiz Lock Nut
14	<u>For parts call out of Vapor Return Line Assembly see 72216.</u>	
15	<u>For parts call out of Blackmer Pump Assembly see 72217</u>	
16	<u>For parts call out of Outlet Adapter Assembly see 72276.</u>	
17	<u>For parts call out of Raceway Assembly see 72218.</u>	

Reference for Tokheim internal use only:

319395	Trim Assembly
319396	Raceway Assembly

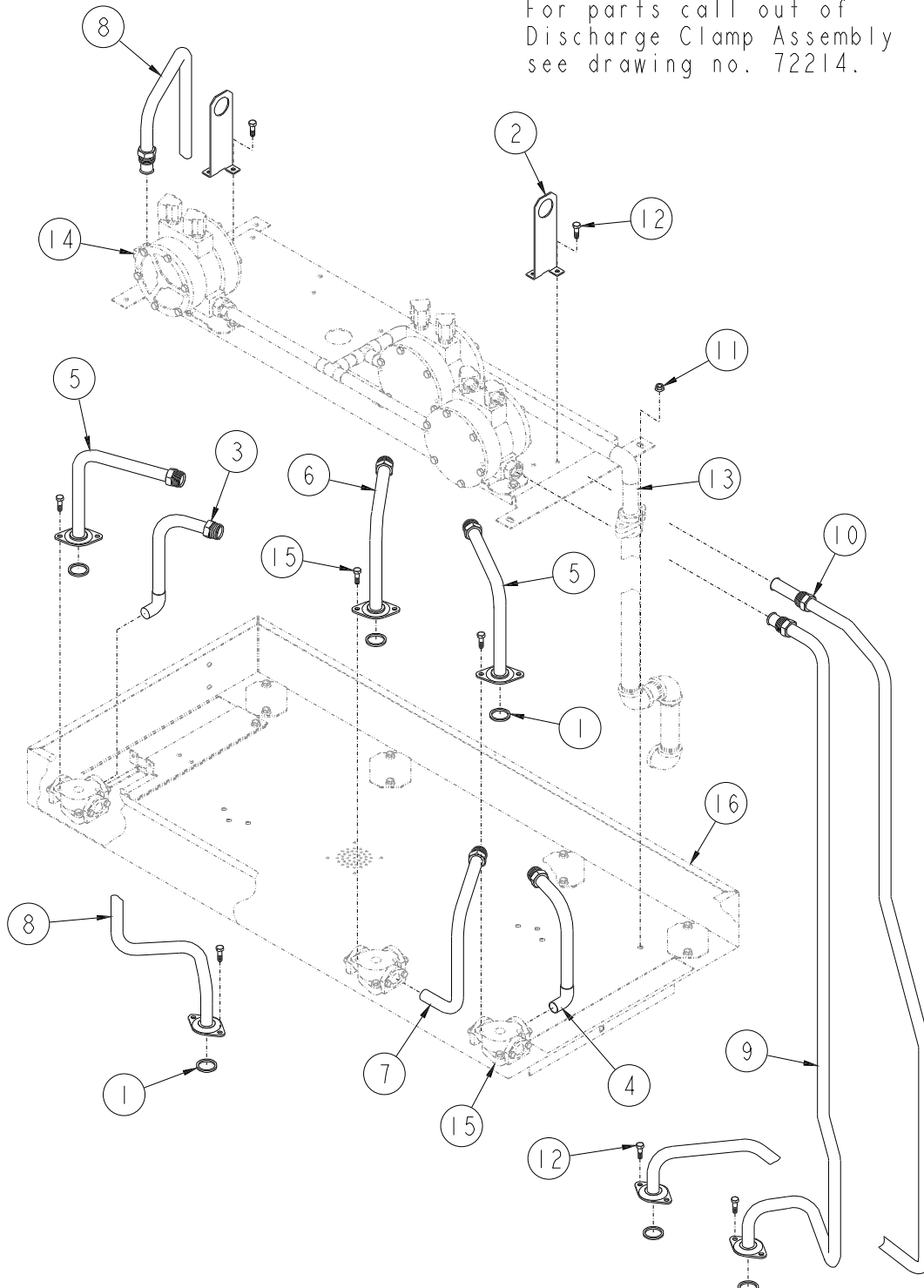
# DISCHARGE ASSEMBLY (24" Wide Raceway)

(H413B-R-VI)

(2nd Design See Serial Break List 71144)

(BLACKMER PUMP)

For parts call out of  
Discharge Clamp Assembly  
see drawing no. 72214.



2-73916

**DISCHARGE ASSEMBLY (24" Wide Raceway)**  
**(H413B-R-V1)**  
**(2nd Design See Serial Break List 71144)**  
**(BLACKMER PUMP)**

ITEM NO.	PART NO.	DESCRIPTION
1	13-313235	Gasket
2	1-319166	Lifting Bracket
3	319731-1	Vapor Tube Assembly
4	319731-2	Vapor Tube Assembly
5	319732-1	Product Tube Assembly
6	319732-2	Product Tube Assembly
7	319733-1	Vapor Tube Assembly
8	421602-1	Discharge Tube Assembly
9	421603-1	Discharge Tube Assembly
10	421604-1	Discharge Tube Assembly
11	02-54752	5/16-18 M-F Flange Whiz Lock Nut
12	35-55132	5/16-18 x 5/8" Long M-F Flange Whiz Lock Screw
13	<u>For parts call out of Vapor Return Line Assembly see 72216.</u>	
14	<u>For parts call out of Blackmer Pump Assembly see 72217</u>	
15	<u>For parts call out of Outlet Adapter Assembly see 72280.</u>	
16	<u>For parts call out of Raceway Assembly see 72218.</u>	

Reference for Tokheim internal use only:

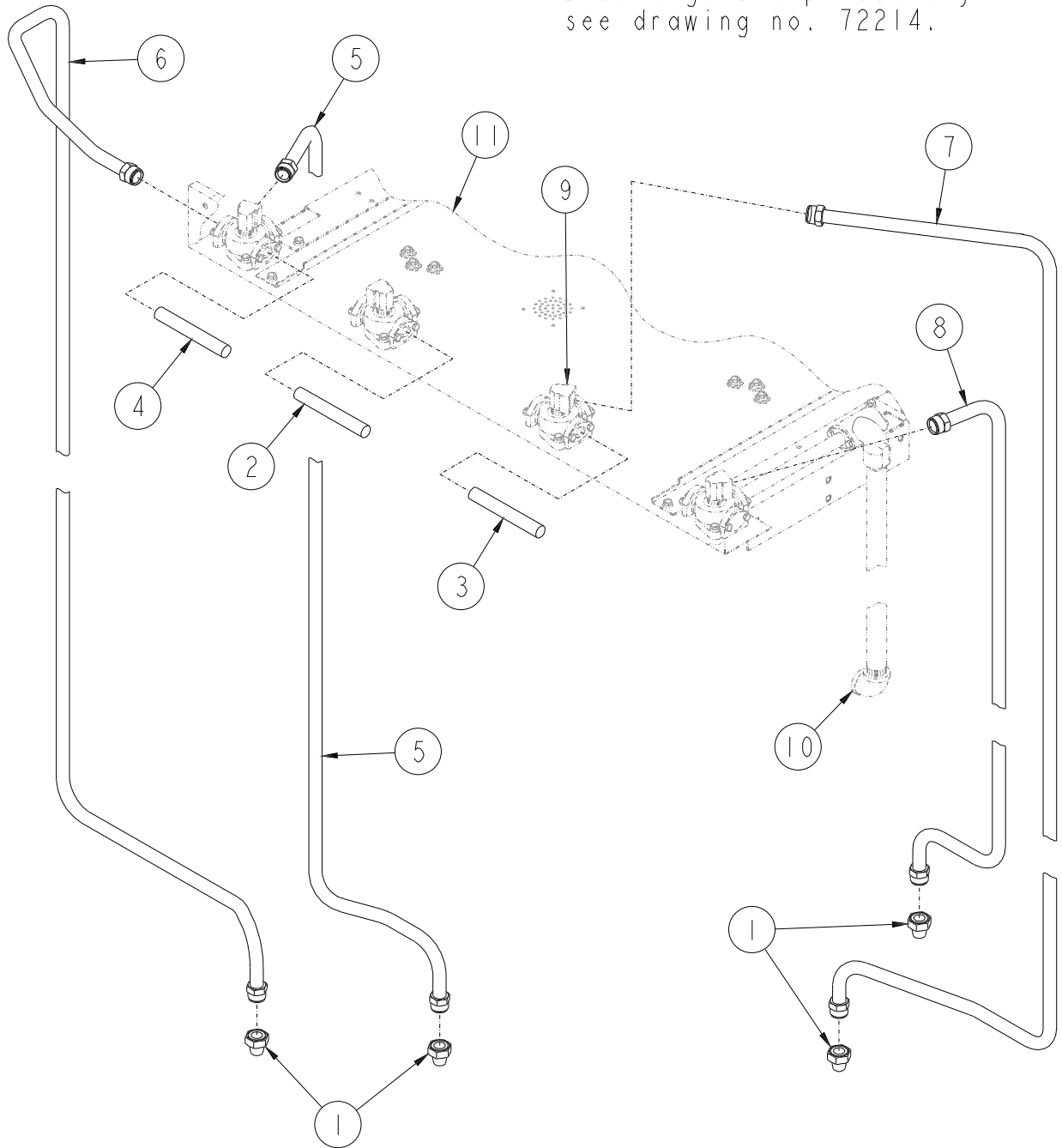
319395	Trim Assembly
319396	Raceway Assembly

# DISCHARGE ASSEMBLY (24" Wide Raceway)

(H414B)

(1st Design See Serial Break List 71144)

For parts call out of  
Discharge Clamp Assembly  
see drawing no. 72214.



3-73860

## DISCHARGE ASSEMBLY (24" Wide Raceway) (H414B)

(1st Design See Serial Break List 71144)

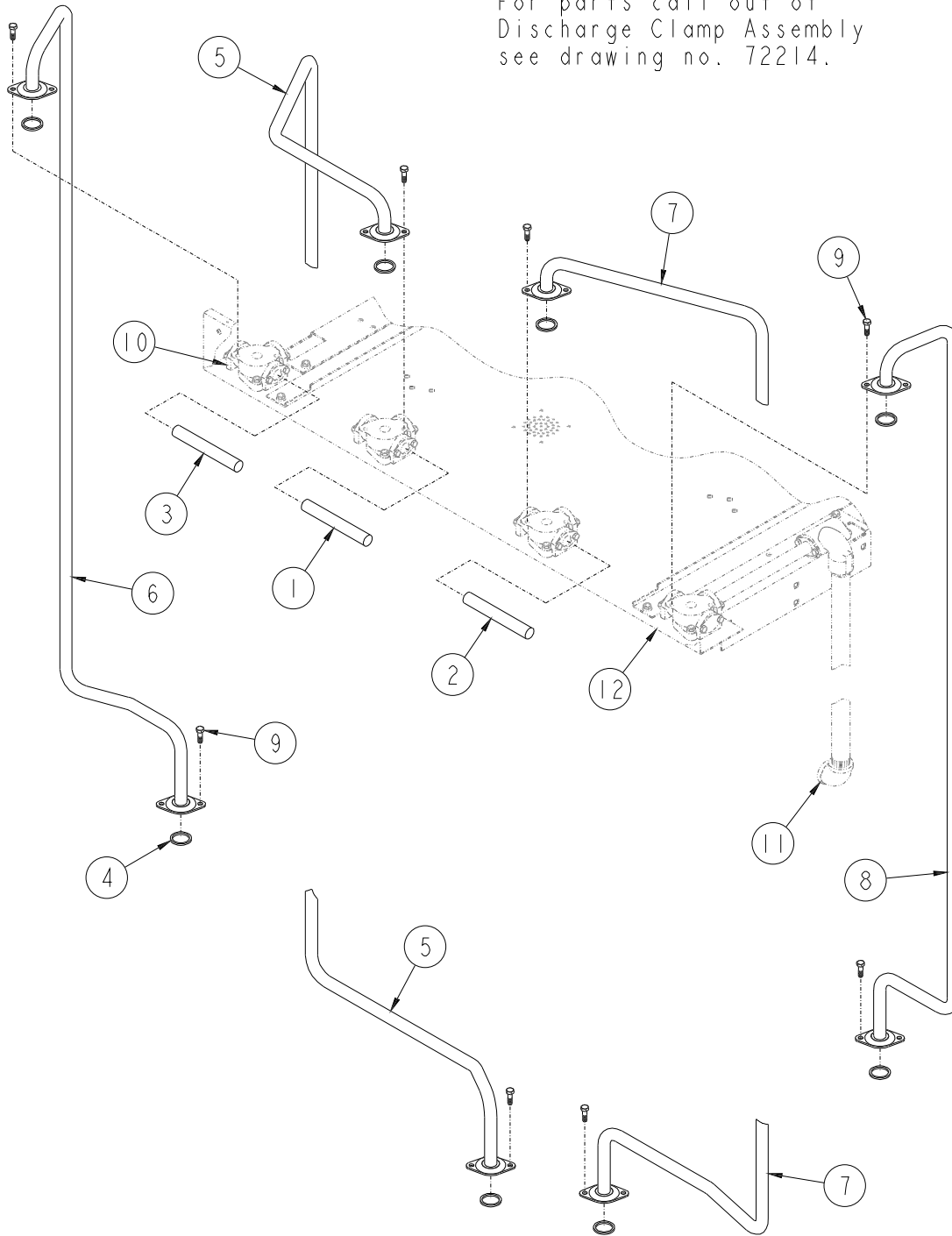
ITEM NO.	PART NO.	DESCRIPTION
1	1-230994	Inverted Flare Connector
2	57-230486	Copper Tube Nipple
3	67-230486	Copper Tube Nipple
4	69-230486	Copper Tube Nipple
5	421249-1	Discharge Tube Assembly
6	421250-1	Discharge Tube Assembly
7	421251-1	Discharge Tube Assembly
8	421252-1	Discharge Tube Assembly
9	<u>For parts call out of Outlet Adapter Assembly see 72276.</u>	
10	<u>For parts call out of Vapor Return Line Assembly see 72277.</u>	
11	<u>For parts call out of Raceway Assembly see 72218.</u>	

Reference for Tokheim internal use only:

319395	Trim Assembly
319396	Raceway Assembly

DISCHARGE ASSEMBLY (24" Wide Raceway)  
 (H414B)  
 (2nd Design See Serial Break List 71144)

For parts call out of  
 Discharge Clamp Assembly  
 see drawing no. 72214.



3-73918

## DISCHARGE ASSEMBLY (24" Wide Raceway) (H414B)

(2nd Design See Serial Break List 71144)

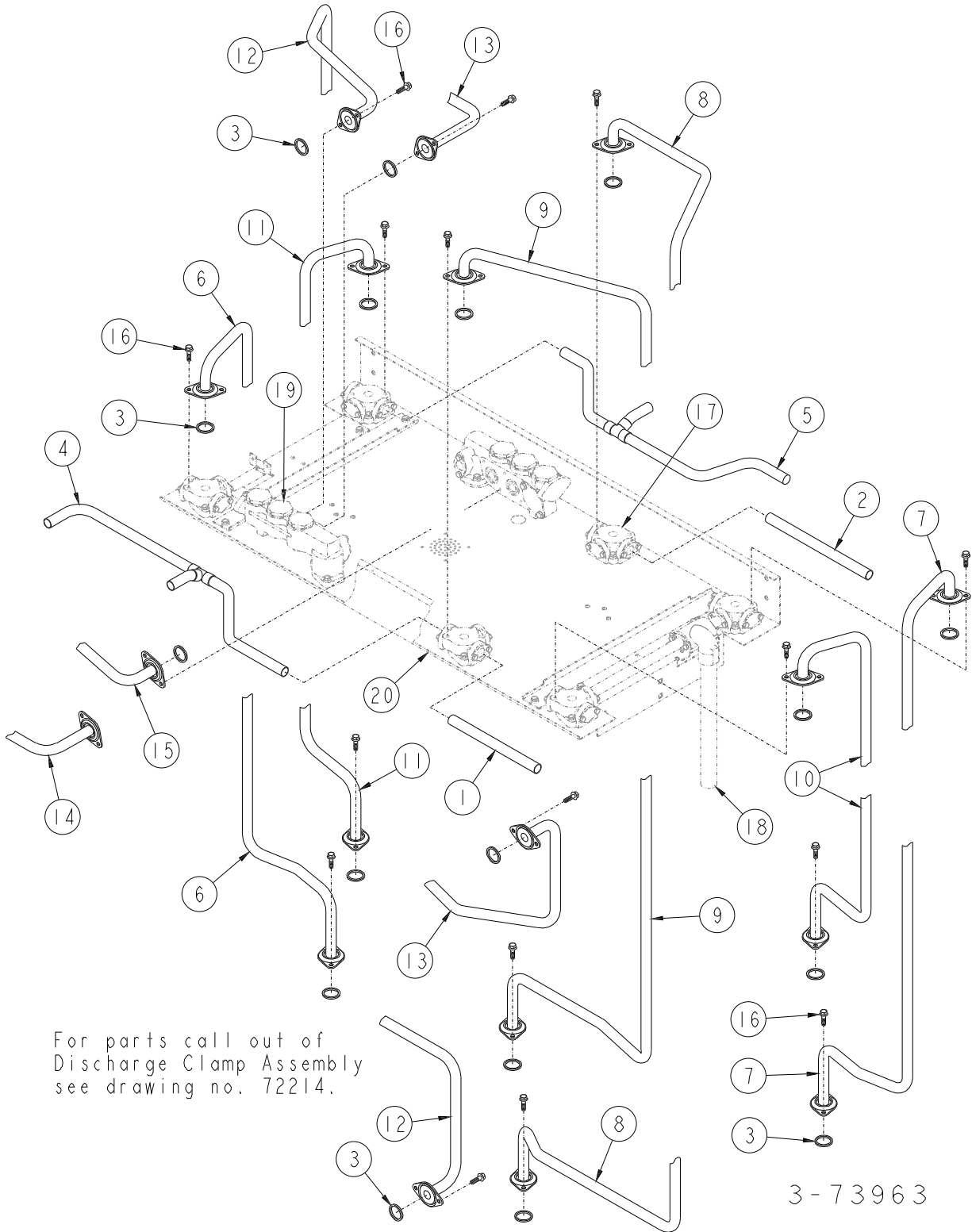
ITEM NO.	PART NO.	DESCRIPTION
1	57-230486	Copper Tube Nipple
2	67-230486	Copper Tube Nipple
3	69-230486	Copper Tube Nipple
4	13-313235	Gasket
5	421595-1	Discharge Tube Assembly
6	421597-1	Discharge Tube Assembly
7	421599-1	Discharge Tube Assembly
8	421601-1	Discharge Tube Assembly
9	35-55132	5/16-18 x 5/8" Long M-F Flange Whiz Lock Screw
10	<u>For parts call out of Outlet Adapter Assembly see.</u>	
	72280	Vapor Recovery
	72615	Non Vapor Recovery
11	<u>For parts call out of Vapor Return Line Assembly see 72282.</u>	
12	<u>For parts call out of Raceway Assembly see 72218.</u>	

Reference for Tokheim internal use only:

319811 Raceway Assembly

319821 Trim Assembly

DISCHARGE ASSEMBLY (24" Wide Raceway)  
 (H414B-REB & H428B-REB)



## DISCHARGE ASSEMBLY (24" Wide Raceway) (H414B-REB & H428B-REB)

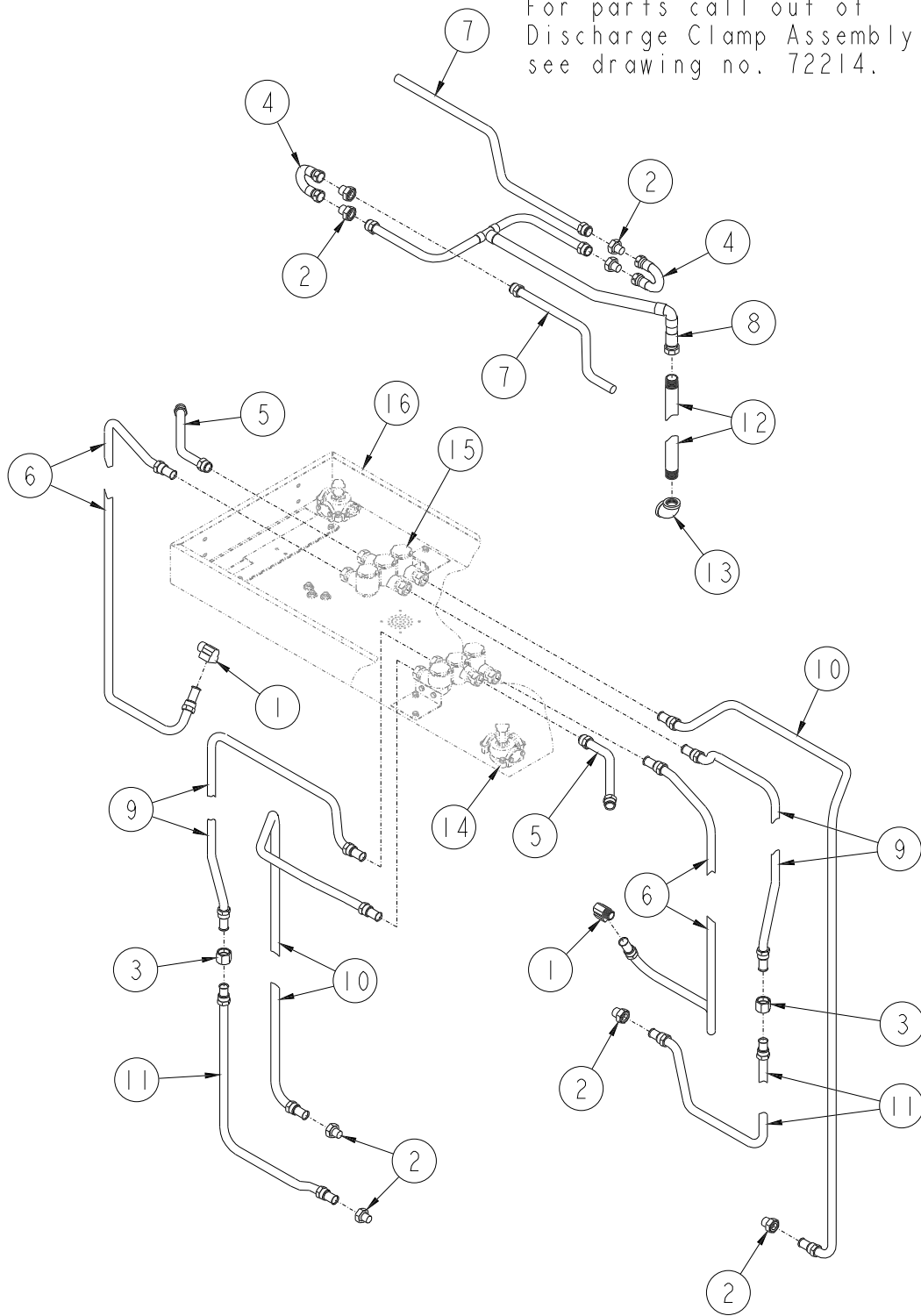
ITEM NO.	PART NO.	DESCRIPTION	ITEM NO.	PART NO.	DESCRIPTION
1	67-230486	Copper Tube Nipple	14	421820-3	Fuel Discharge Tube Assy. (H428B-REB Side "B")
2	69-230486	Copper Tube Nipple	15	421820-4	Fuel Discharge Tube Assy. (H428B-REB Side "B")
3	13-313235	Gasket	16	35-55132	5/16-18 x 5/8" Long M-F Flange Whiz Lock Screw
4	319919-1	Vapor Tube Assembly (H414B-REB & H428B-REB Side "A")	17	<u>For parts call out of Outlet Adapter Assembly see.</u>	
5	319920-1	Vapor Tube Assembly (H428B-REB Side "B")	72280	Vapor Recovery	
6	421595-1	Discharge Tube Assy. (H414B-REB & H428B-REB Side "A")	72615	Non Vapor Recovery	
7	421595-1	Discharge Tube Assy. (H428B-REB Side "B")	18	<u>For parts call out of Vapor Return Line Assembly see 72282.</u>	
8	421597-1	Discharge Tube Assy. (H428B-REB Side "B")	19	<u>For parts call out of Check Valve Assembly see 72283.</u>	
9	421599-1	Discharge Tube Assy. (H414B-REB & H428B-REB Side "A")	20	<u>For parts call out of Raceway Assembly see 72218.</u>	
10	421601-1	Discharge Tube Assy. (H414B-REB & H428B-REB Side "A")	<u>Reference for Tokheim internal use only:</u>		
11	421601-1	Discharge Tube Assy. (H428B-REB Side "B")	319743	Trim Assembly	
12	421820-1	Fuel Discharge Tube Assembly (H428B-REB Side "B")	319924	Raceway Assembly	
13	421820-2	Fuel Discharge Tube Assy. (H414B-REB & H428B-REB Side "A")			

3-73963

# DISCHARGE ASSEMBLY (24" Wide Raceway)

(H422B)  
(Serial No. 04925 & Below)

For parts call out of  
Discharge Clamp Assembly  
see drawing no. 72214.



3-73852

## DISCHARGE ASSEMBLY (24" Wide Raceway) (H422B)

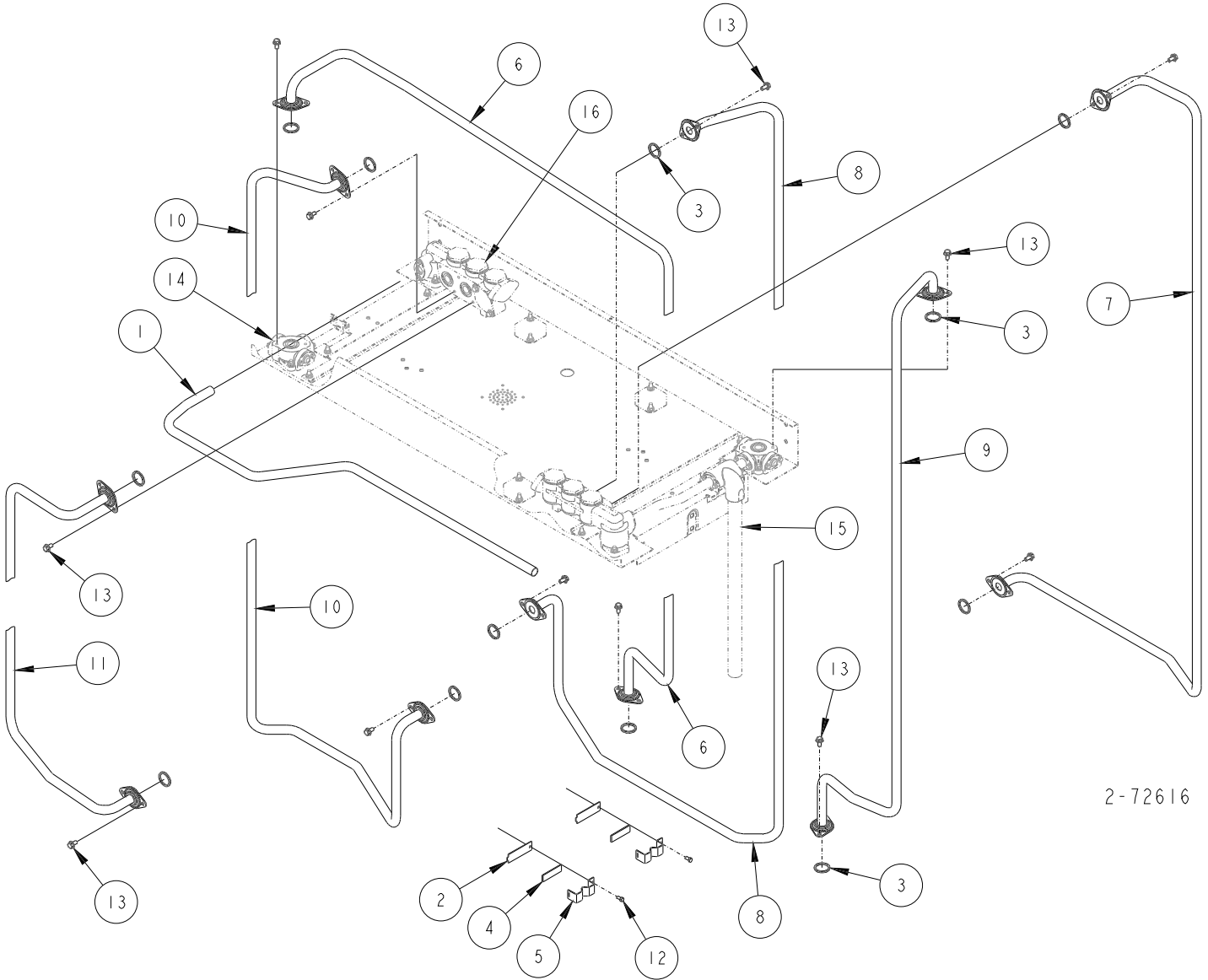
(Serial No. 04925 & Below)

ITEM NO.	PART NO.	DESCRIPTION
1	1-230993	90° Inverted Flare Elbow
2	1-230994	Inverted Flare Connector
3	1-231845	Inverted Flare Union
4	232201-1	Vapor Tube Assembly
5	319421-1	Outlet Tube Assembly
6	319439-1	Discharge Tube Assembly
7	421217-1	Vapor Tube Weld Assembly
8	421234-1	Vapor Tube Assembly
9	421235-1	Discharge Tube Assembly
10	421236-1	Discharge Tube Assembly
11	421262-1	Discharge Tube Assembly
12	307-50510	1" x 83-1/2" Long Pipe
13	06-51700	90° Banded Elbow
14	<u>For parts call out of Outlet Adapter Assembly see 72276.</u>	
15	<u>For parts call out of Check Valve Assembly see 72278.</u>	
16	<u>For parts call out of Raceway Assembly see 72218.</u>	

Reference for Tokheim internal use only:

319394	Chassis Assembly
319395	Trim Assembly
319396	Raceway Assembly

DISCHARGE ASSEMBLY (24" Wide Raceway)  
(H424B-RB3TR)



2-72616

## DISCHARGE ASSEMBLY (24" Wide Raceway) (H424B-RB3TR)

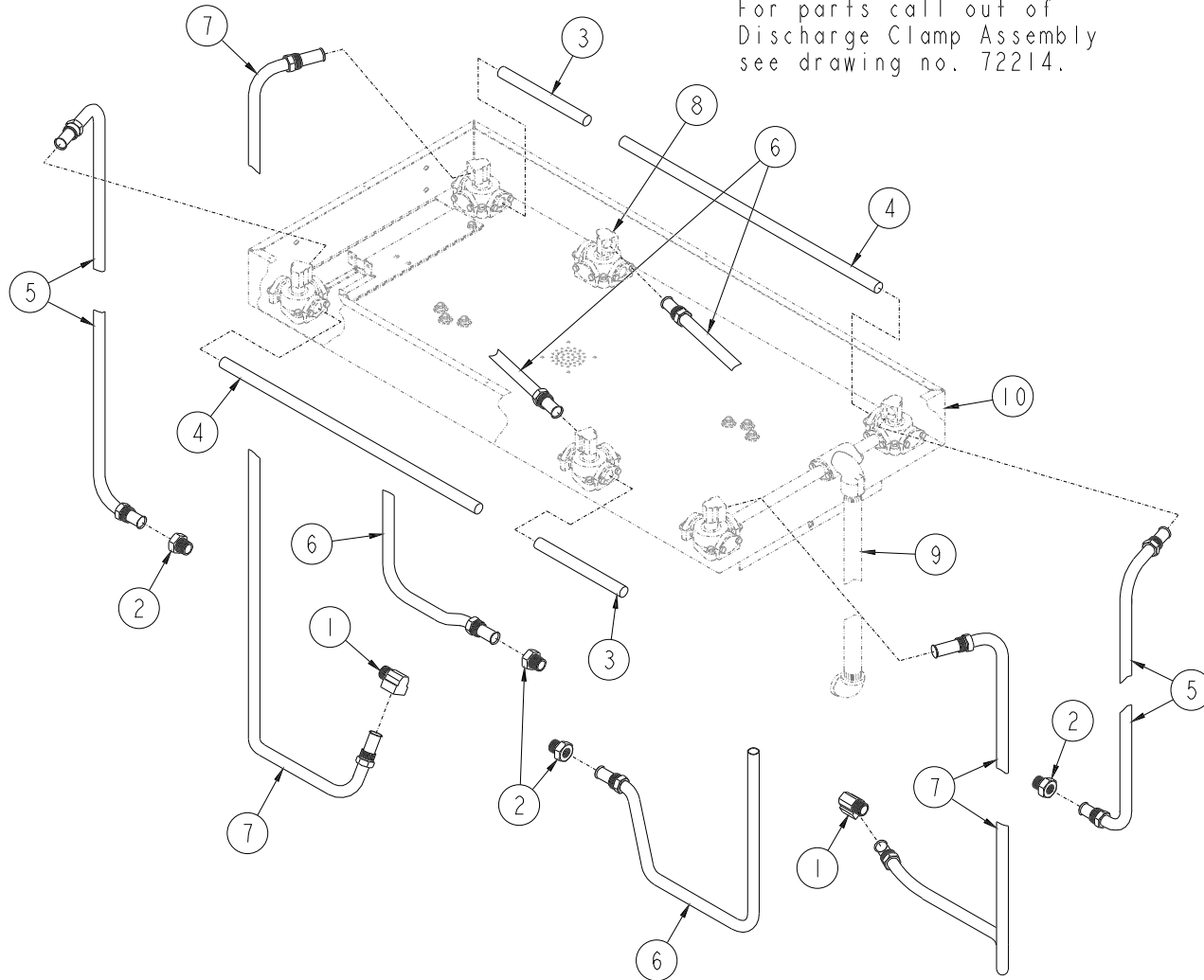
ITEM NO.	PART NO.	DESCRIPTION	ITEM NO.	PART NO.	DESCRIPTION
1	1-232386	Outlet Vapor Tube	16	<u>For parts call out of Check Valve Assembly see 72283.</u>	
2	1-232991	Back Plate		<u>Reference for Tokheim internal use only:</u>	
3	13-313235	Gasket	319743	Trim Assembly	
4	15-317638	Cushion	319924	Raceway Assembly	
5	1-320607	Tube Holder		2-72616	
6	1-320648	Discharge Tube Assembly			
7	1-320649	Discharge Tube Assembly			
8	1-320650	Discharge Tube Assembly			
9	421595-1	Discharge Tube Assembly			
10	421820-5	Discharge Tube Assembly			
11	421820-6	Discharge Tube Assembly			
12	10-51491	#14 x 1/2" Long Hex Head Self Tapping Screw			
13	35-55132	5/15-18 x 5/8" Long M-F Flange Whiz Lock Screw			
14	<u>For parts call out of Outlet Adapter Assembly see:</u>				
	72280	Vapor Recovery			
	72615	Non Vapor Recovery			
15	<u>For parts call out of Vapor Return Line Assembly see 72617.</u>				

# DISCHARGE ASSEMBLY (24" Wide Raceway)

(H426B)

(1st Design See Serial Break List 71144)

For parts call out of  
Discharge Clamp Assembly  
see drawing no. 72214.



4-73828

## DISCHARGE ASSEMBLY (24" Wide Raceway) (H426B)

(1st Design See Serial Break List 71144)

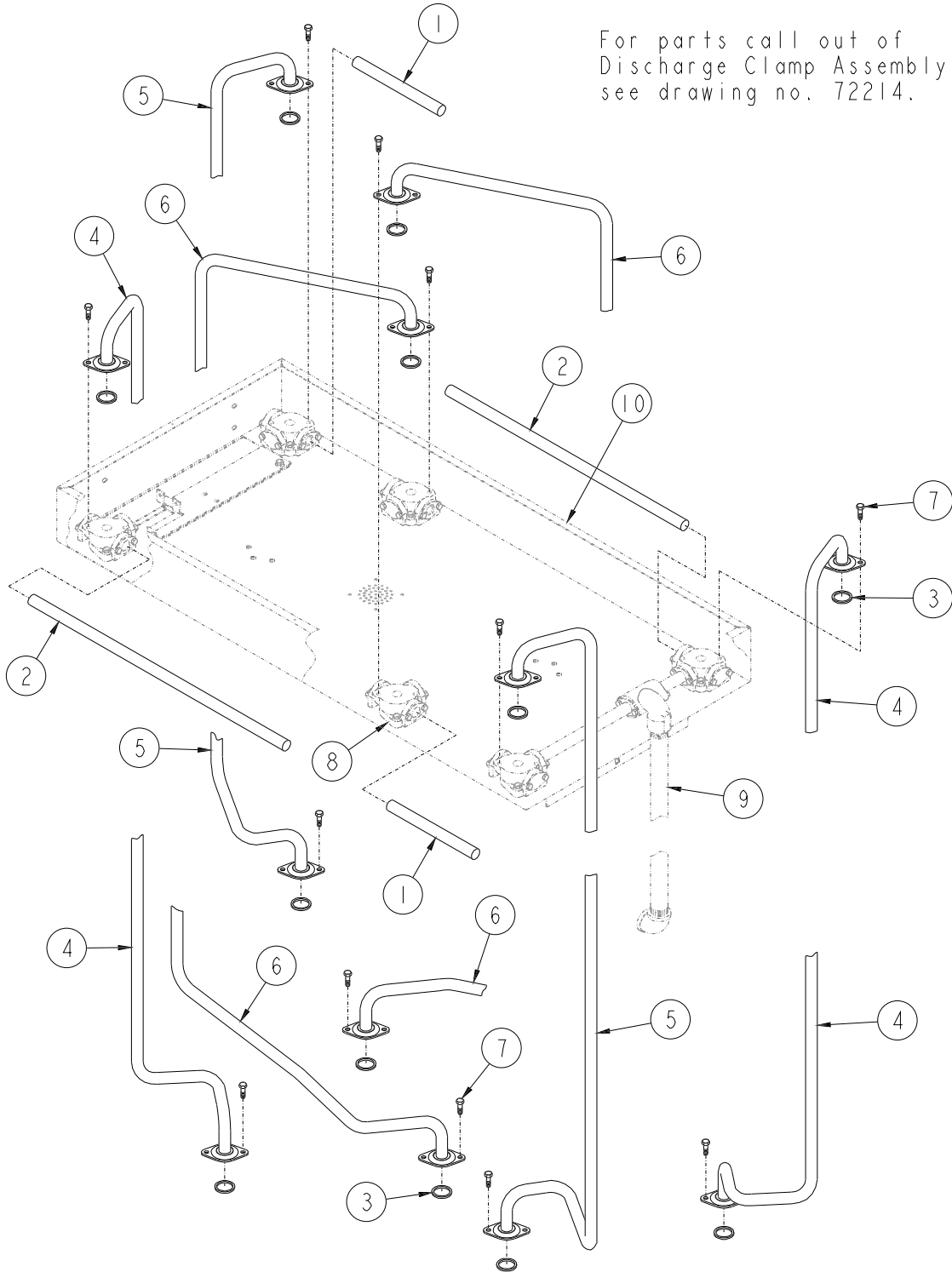
ITEM NO.	PART NO.	DESCRIPTION
1	1-230993	90° Inverted Flare Elbow
2	1-230994	Inverted Flare Connector
3	67-230486	Vapor Tube (10.27" Long)
4	68-230486	Vapor Tube (28.27" Long)
5	319460-1	Discharge Tube Assembly
6	319469-1	Discharge Tube Assembly
7	319470-1	Discharge Tube Assembly
8		<u>For parts call out of Outlet Adapter Assembly see 72276.</u>
9		<u>For parts call out of Vapor Return Line Assembly see 72277.</u>
10		<u>For parts call out of Raceway Assembly see 72218.</u>

Reference for Tokheim internal use only:

319395	Trim Assembly
319396	Raceway Assembly

DISCHARGE ASSEMBLY (24" Wide Raceway)  
 (H426B)  
 (2nd Design See Serial Break List 71144)

For parts call out of  
 Discharge Clamp Assembly  
 see drawing no. 72214.



3-73920

## DISCHARGE ASSEMBLY (24" Wide Raceway) (H426B)

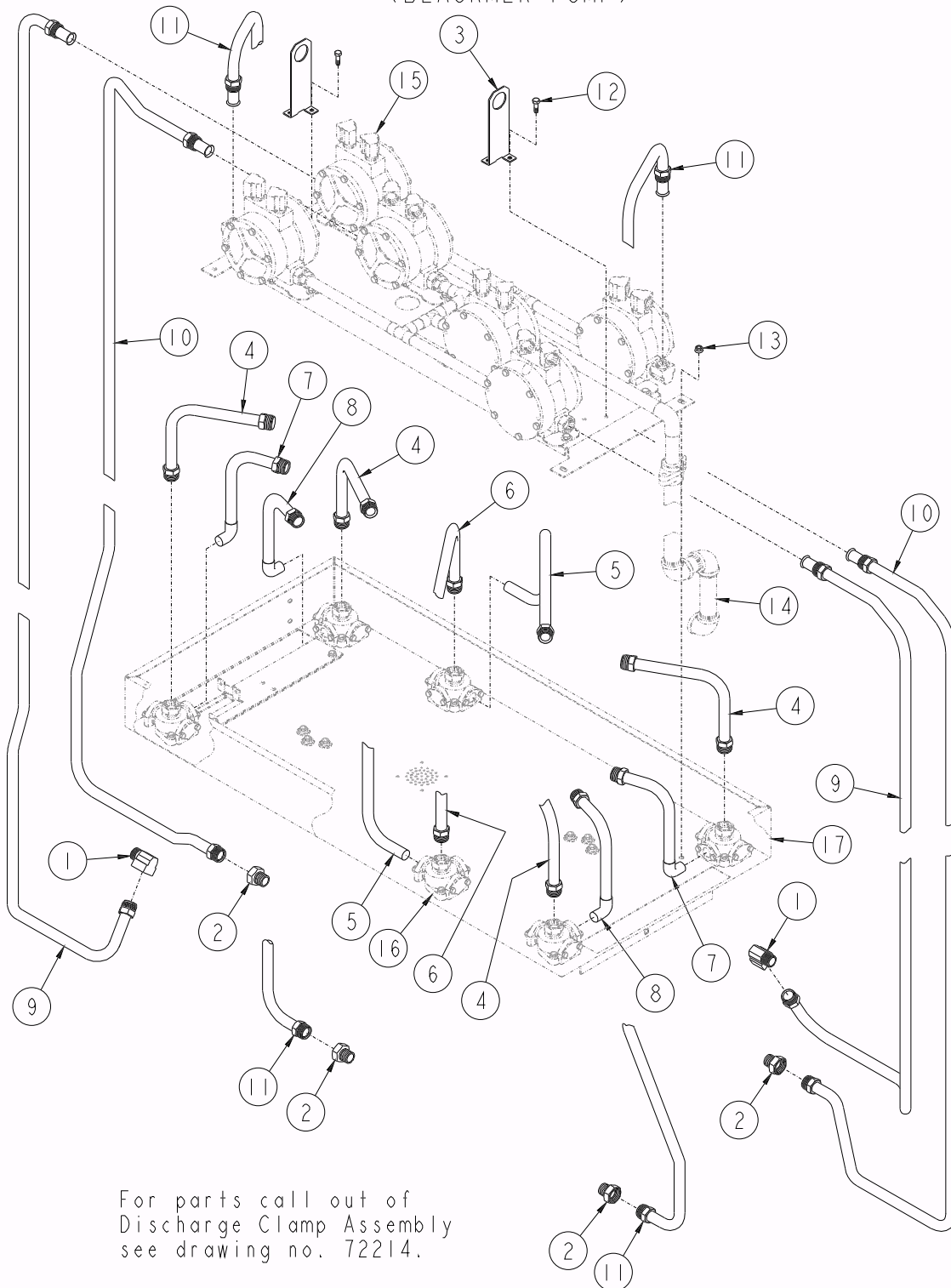
(2nd Design See Serial Break List 71144)

ITEM NO.	PART NO.	DESCRIPTION
1	67-230486	Vapor Tube (10.27" Long)
2	68-230486	Vapor Tube (28.27" Long)
3	13-313235	Gasket
4	421519-1	Discharge Tube Assembly
5	421520-1	Discharge Tube Assembly
6	421521-1	Discharge Tube Assembly
7	35-55132	5/15-18 x 5/8" Long M-F Flange Whiz Lock Screw
8	<u>For parts call out of Outlet Adapter Assembly see:</u>	
	72280	Vapor Recovery
	72615	Non Vapor Recovery
9	<u>For parts call out of Vapor Return Line Assembly see 72282.</u>	
10	<u>For parts call out of Raceway Assembly see 72218.</u>	

Reference for Tokheim internal use only:

319742	Raceway Assembly
319743	Trim Assembly

DISCHARGE ASSEMBLY (24" Wide Raceway)  
 (H426B-R-VI)  
 (1st Design See Serial Break List 71144)  
 (BLACKMER PUMP)



For parts call out of  
 Discharge Clamp Assembly  
 see drawing no. 72214.

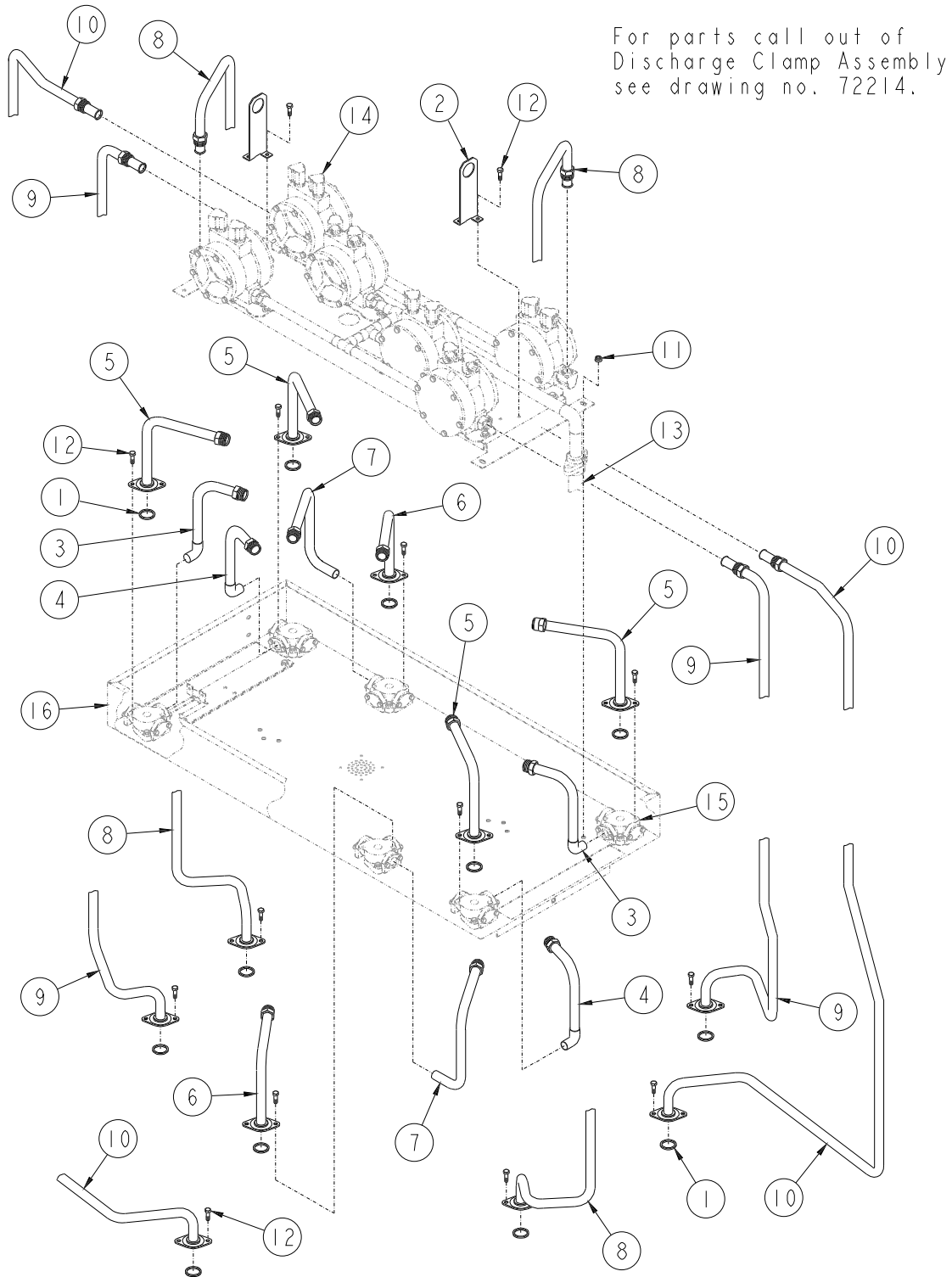
**DISCHARGE ASSEMBLY (24" Wide Raceway)**  
**(H426B-R-V1)**  
**(1st Design See Serial Break List 71144)**  
**(BLACKMER PUMP)**

ITEM NO.	PART NO.	DESCRIPTION
1	1-230993	90° Inverted Flare Elbow
2	1-230994	Inverted Flare Connector
3	1-319166	Lifting Bracket
4	319359-5	Product Tube Assembly
5	319562-1	Vapor Tube Assembly
6	319563-1	Product Tube Assembly
7	319477-1	Vapor Tube Assembly
8	319477-2	Vapor Tube Assembly
9	421219-1	Discharge Tube Assembly
10	421220-1	Discharge Tube Assembly
11	421221-1	Discharge Tube Assembly
12	35-55132	5/16-18 x 5/8" Long M-F Flange Whiz Lock Screw
13	02-54752	5/16-18 M-F Flange Whiz Lock Nut
14	<u>For parts call out of Vapor Return Line Assembly see 72216.</u>	
15	<u>For parts call out of Blackmer Pump Assembly see 72217</u>	
16	<u>For parts call out of Outlet Adapter Assembly see 72276.</u>	
17	<u>For parts call out of Raceway Assembly see 72218.</u>	

Reference for Tokheim internal use only:

319395	Trim Assembly
319396	Raceway Assembly

DISCHARGE ASSEMBLY (24" Wide Raceway)  
 (H426B-R-VI)  
 (2nd Design See Serial Break List 71144)  
 (BLACKMER PUMP)



2-73917

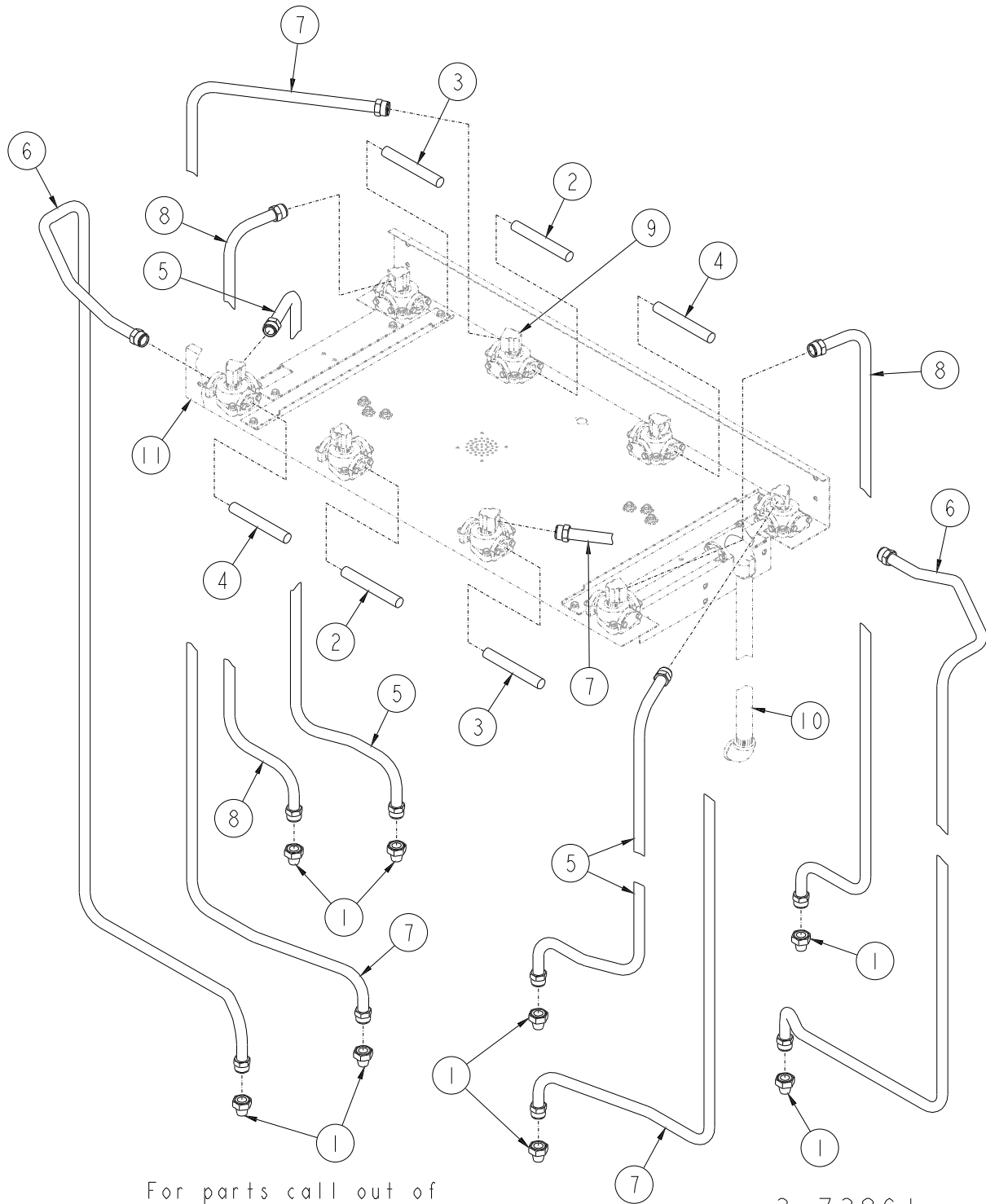
**DISCHARGE ASSEMBLY (24" Wide Raceway)**  
**(H426B-R-V1)**  
**(2nd Design See Serial Break List 71144)**  
**(BLACKMER PUMP)**

ITEM NO.	PART NO.	DESCRIPTION
1	13-313235	Gasket
2	1-319166	Lifting Bracket
3	319731-1	Vapor Tube Assembly
4	319731-2	Vapor Tube Assembly
5	319732-1	Product Tube Assembly
6	319732-2	Product Tube Assembly
7	319733-1	Vapor Tube Assembly
8	421602-1	Discharge Tube Assembly
9	421603-1	Discharge Tube Assembly
10	421604-1	Discharge Tube Assembly
11	02-54752	5/16-18 M-F Flange Whiz Lock Nut
12	35-55132	5/16-18 x 5/8" Long M-F Flange Whiz Lock Screw
13	<u>For parts call out of Vapor Return Line Assembly see 72216.</u>	
14	<u>For parts call out of Blackmer Pump Assembly see 72217.</u>	
15	<u>For parts call out of Outlet Adapter Assembly see 72280.</u>	
16	<u>For parts call out of Raceway Assembly see 72218.</u>	

Reference for Tokheim internal use only:

319395	Trim Assembly
319396	Raceway Assembly

DISCHARGE ASSEMBLY (24" Wide Raceway)  
 (H428B)  
 (1st Design See Serial Break List 71144)



For parts call out of  
 Discharge Clamp Assembly  
 see drawing no. 72214.

3-73861

## DISCHARGE ASSEMBLY (24" Wide Raceway) (H428B)

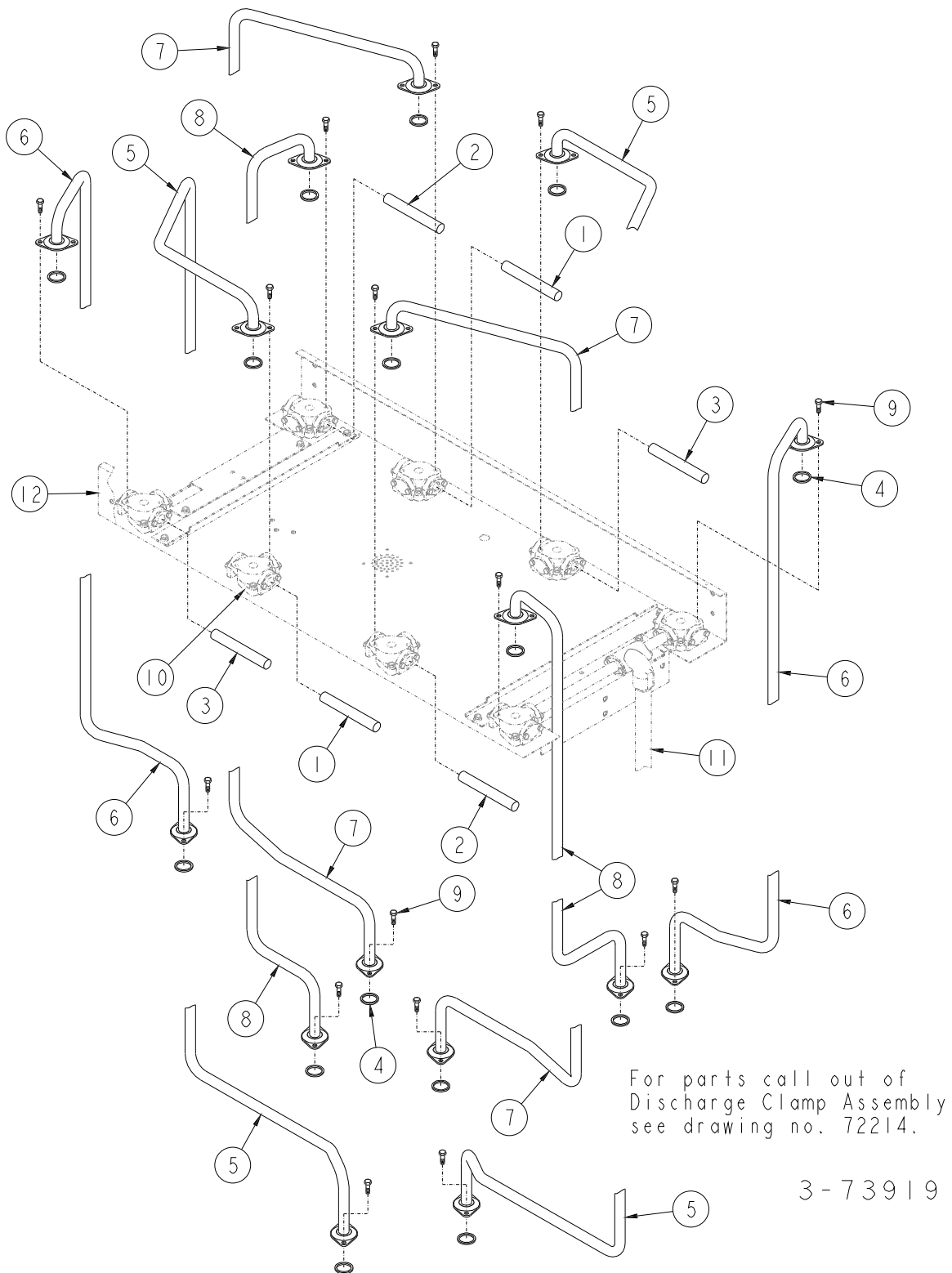
(1st Design See Serial Break List 71144)

ITEM NO.	PART NO.	DESCRIPTION
1	1-230994	Inverted Flare Connector
2	57-230486	Copper Tube Nipple
3	67-230486	Copper Tube Nipple
4	69-230486	Copper Tube Nipple
5	421249-1	Discharge Tube Assembly
6	421250-1	Discharge Tube Assembly
7	421251-1	Discharge Tube Assembly
8	421252-1	Discharge Tube Assembly
9	<u>For parts call out of Outlet Adapter Assembly see 72276.</u>	
10	<u>For parts call out of Vapor Return Line Assembly see 72277.</u>	
11	<u>For parts call out of Raceway Assembly see 72218.</u>	

Reference for Tokheim internal use only:

319395	Trim Assembly
319396	Raceway Assembly

DISCHARGE ASSEMBLY (24" Wide Raceway)  
 (H428B)  
 (2nd Design See Serial Break List 71144)



## DISCHARGE ASSEMBLY (24" Wide Raceway) (H428B)

(2nd Design See Serial Break List 71144)

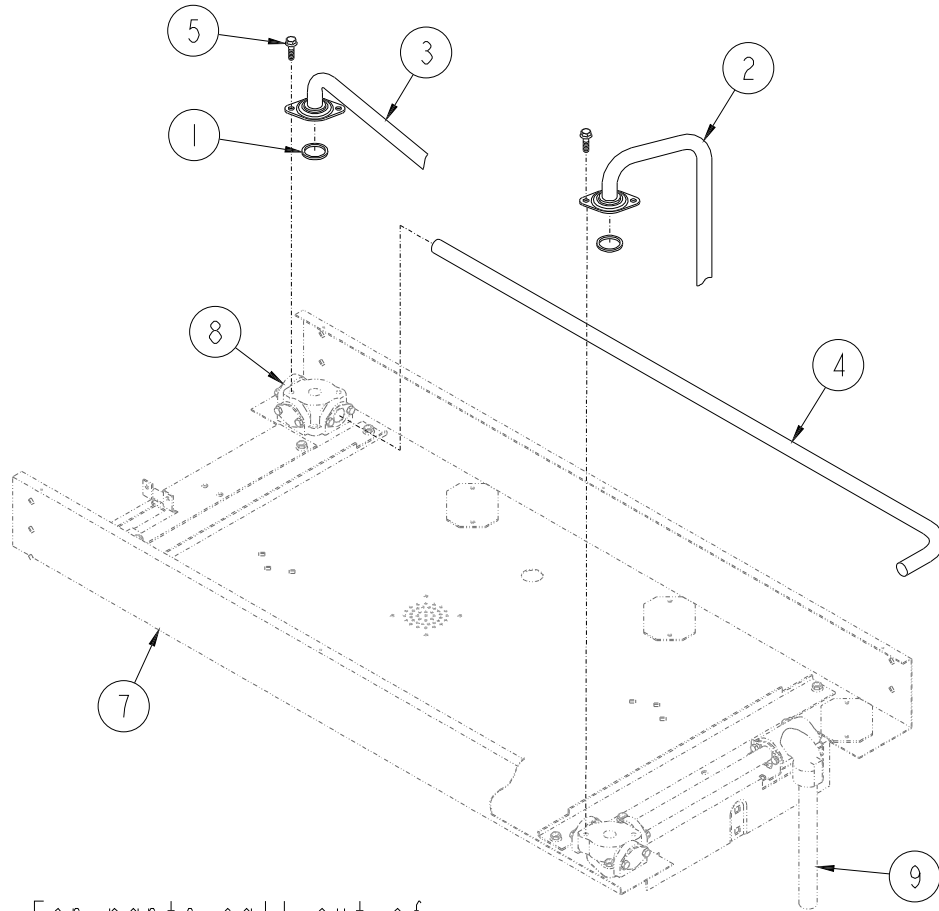
ITEM NO.	PART NO.	DESCRIPTION
1	57-230486	Copper Tube Nipple
2	67-230486	Copper Tube Nipple
3	69-230486	Copper Tube Nipple
4	13-313235	Gasket
5	421595-1	Discharge Tube Assembly
6	421597-1	Discharge Tube Assembly
7	421599-1	Discharge Tube Assembly
8	421601-1	Discharge Tube Assembly
9	35-55132	5/16-18 x 5/8" Long M-F Flange Whiz Lock Screw
10	<u>For parts call out of Outlet Adapter Assembly see.</u>	
	72280	Vapor Recovery
	72615	Non Vapor Recovery
11	<u>For parts call out of Vapor Return Line Assembly see 72282.</u>	
12	<u>For parts call out of Raceway Assembly see 72218.</u>	

Reference for Tokheim internal use only:

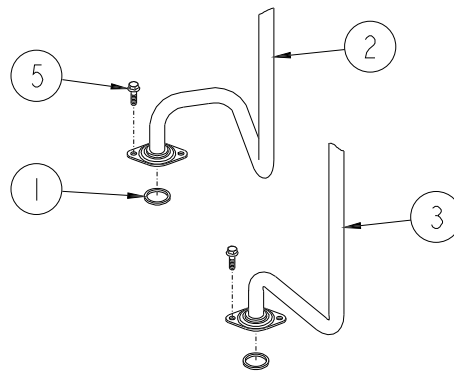
319811 Raceway Assembly

319821 Trim Assembly

# DISCHARGE ASSEMBLY (24" Wide Raceway) (H722B)



For parts call out of  
Discharge Clamp Assmely  
see drawing no. 72214.

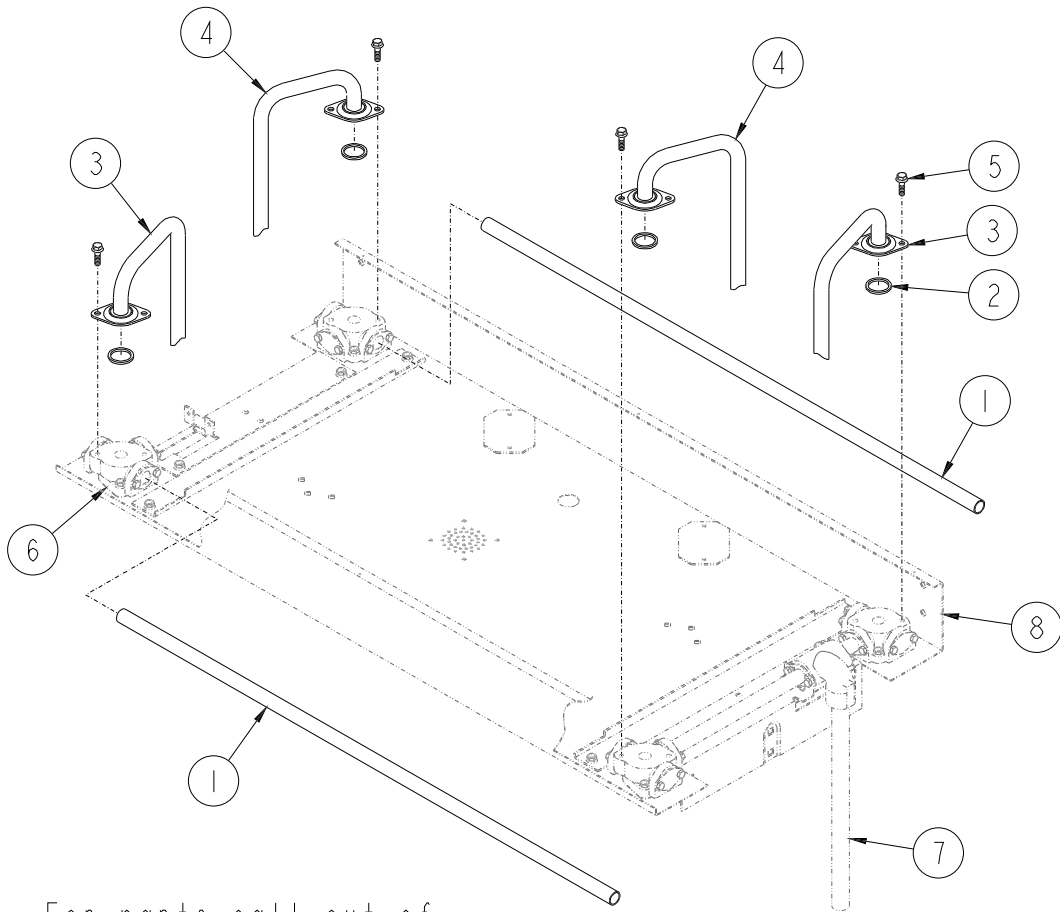


3-73964

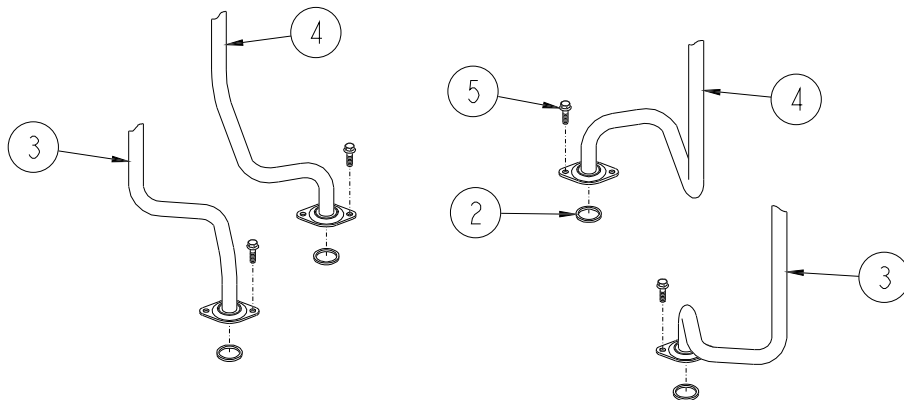
## DISCHARGE ASSEMBLY (24" Wide Raceway) (H722B)

ITEM NO.	PART NO.	DESCRIPTION
1	13-313235	Gasket
2	421520-1	Fuel Discharge Tube Assembly
3	421820-13	Fuel Discharge Tube Assembly
4	1-421440	Vapor Tube
5	35-55132	5/16-18 x 5/8" Long M-F Flange Whiz Lock Screw
6	<u>For parts call out of Outlet Adapter Assembly see:</u>	
	72280	Vapor Recovery
	72615	Non Vapor Recovery
7	<u>For parts call out of Raceway Assembly see</u>	
	72218	Standard
	72365	Bottom Access
8	<u>For parts call out of Outlet Adapter Assembly see</u>	
	72280	Vapor Recovery
	72615	Non Vapor Recovery
9	<u>For parts call out of Vapor Return Line Assembly see 72282.</u>	
	<u>Reference for Tokheim internal use only:</u>	
	319743	Trim Assembly
	319924	Raceway Assembly

# DISCHARGE ASSEMBLY (24" Wide Raceway) (H724B)



For parts call out of  
Discharge Clamp Assembly  
see drawing no. 72214.



3-73965

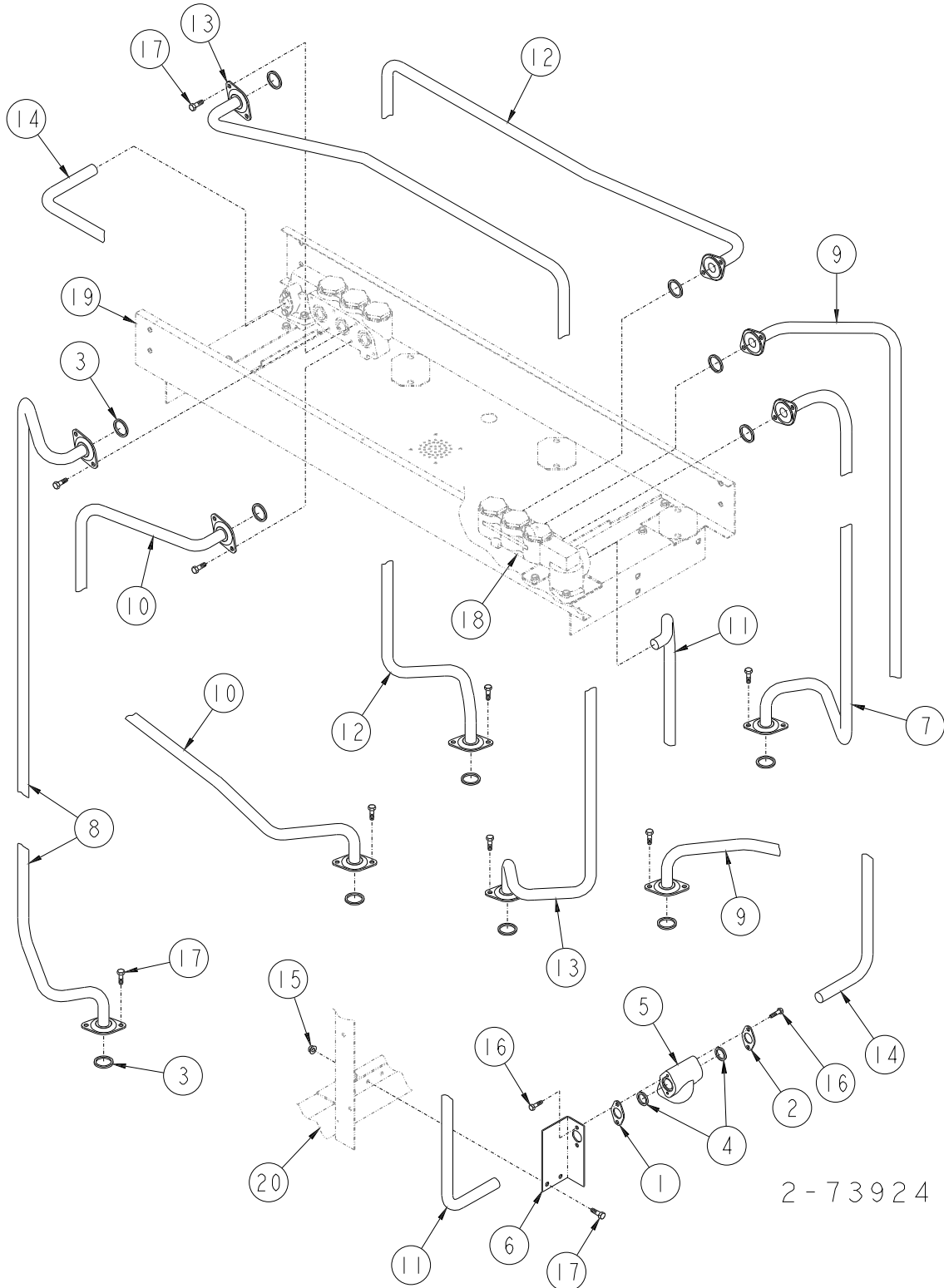
## DISCHARGE ASSEMBLY (24" Wide Raceway) (H724B)

ITEM NO.	PART NO.	DESCRIPTION
1	75-230486	Vapor Tube
2	13-313235	Gasket
3	421519-1	Fuel Discharge Tube Assembly
4	421520-1	Fuel Discharge Tube Assembly
5	35-55132	5/16-18 x 5/8" Long M-F Flange Whiz Lock Screw
6	<u>For parts call out of Outlet Adapter Assembly see:</u>	
	72280	Vapor Recovery
	72615	Non Vapor Recovery
7	<u>For parts call out of Vapor Return Line Assembly see 72282.</u>	
8	<u>For parts call out of Raceway Assembly see 72218.</u>	

Reference for Tokheim internal use only:

319743	Trim Assembly
319924	Raceway Assembly

DISCHARGE ASSEMBLY (17" Wide Raceway)  
 (H411B & H422B)  
 (2nd Design See Serial Break List 71144)

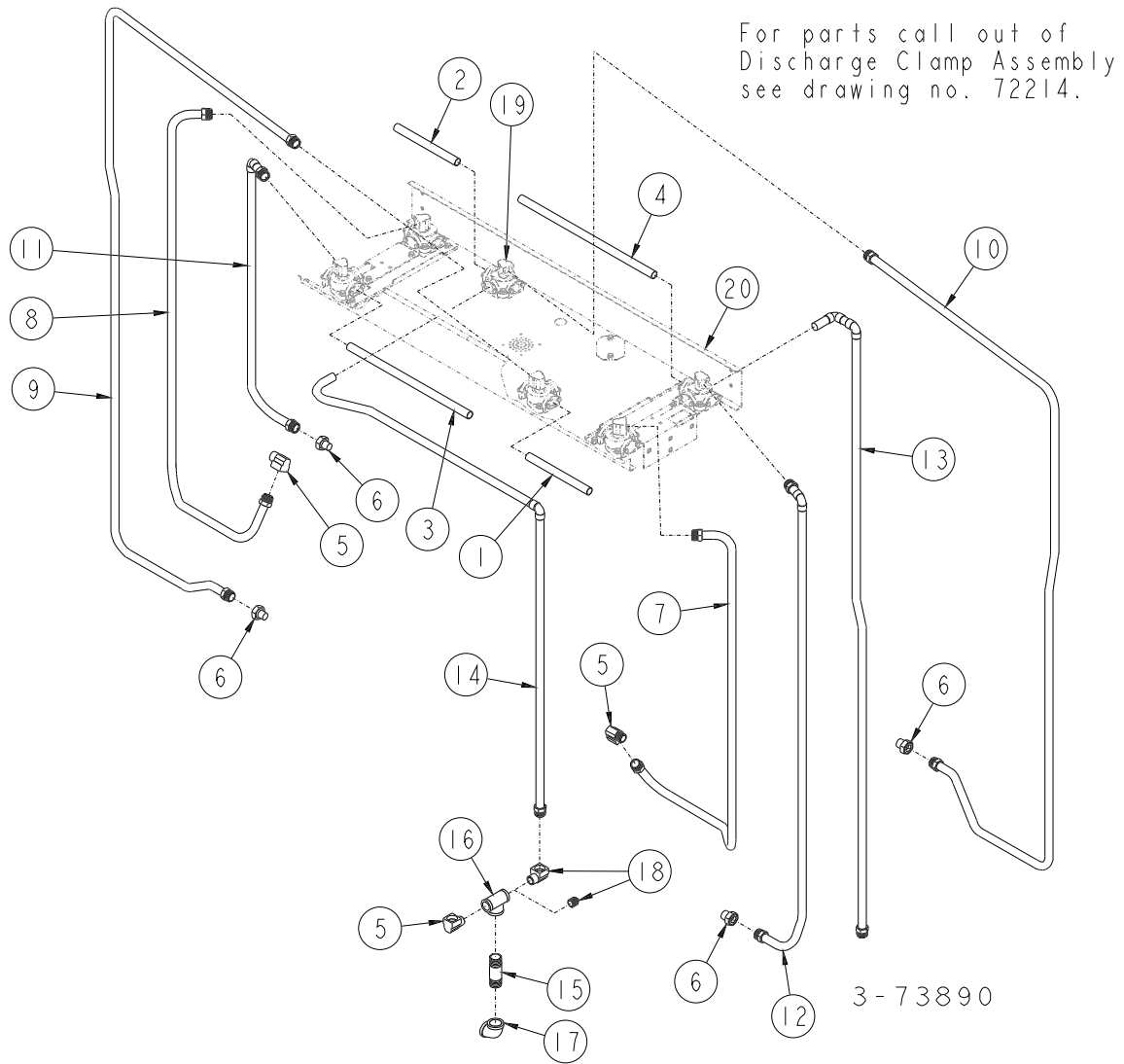


## DISCHARGE ASSEMBLY (17" Wide Raceway) (H411B & H422B)

(2nd Design See Serial Break List 71144)

ITEM NO.	PART NO.	DESCRIPTION	ITEM NO.	PART NO.	DESCRIPTION
1	1-132494	Vapor Flange	15	02-54752	5/16-18 M-F Flange Whiz Lock Nut
2	1-132494	Vapor Flange (H422B)	16	05-55132	1/4-20 x 1/2" Long M-F Flange Whiz Lock Screw
	1-231836	Cap (H411B only)	17	35-55132	5/16-18 x 5/8" Long M-F Flange Whiz Lock Screw
3	13-313235	Gasket	18	<u>For parts call out of Check Valve Assembly see 72283.</u>	
4	20-313235	Gasket	19	<u>For parts call out of Raceway Assembly see 72218.</u>	
5	1-319405	Offset Tee	20	<u>For parts call out of Chassis Assembly see 741593.</u>	
6	1-319787	Support Bracket		<u>Reference for Tokheim internal use only:</u>	
7	319816-1	Discharge Tube Assembly (H411B & H422B Side "A")	319742	Raceway Assembly	
8	319816-1	Discharge Tube Assembly (H422B Side "B")	319743	Trim Assembly	
9	319825-1	Discharge Tube Assembly (H411B & H422B Side "A")		2-73924	
10	319825-1	Discharge Tube Assembly (H422B Side "B")			
11	319827-1	Vapor Tube Assembly (H411B & H422B Side "A")			
12	421652-1	Discharge Tube Assembly (H411B & H422B Side "A")			
13	421652-1	Discharge Tube Assembly (H422B Side "B")			
14	1-421696	Vapor Tube (H422B Side "B")			

DISCHARGE ASSEMBLY (17" Wide Raceway)  
 (H413B & H426B)  
 (1st Design See Serial Break List 71144)

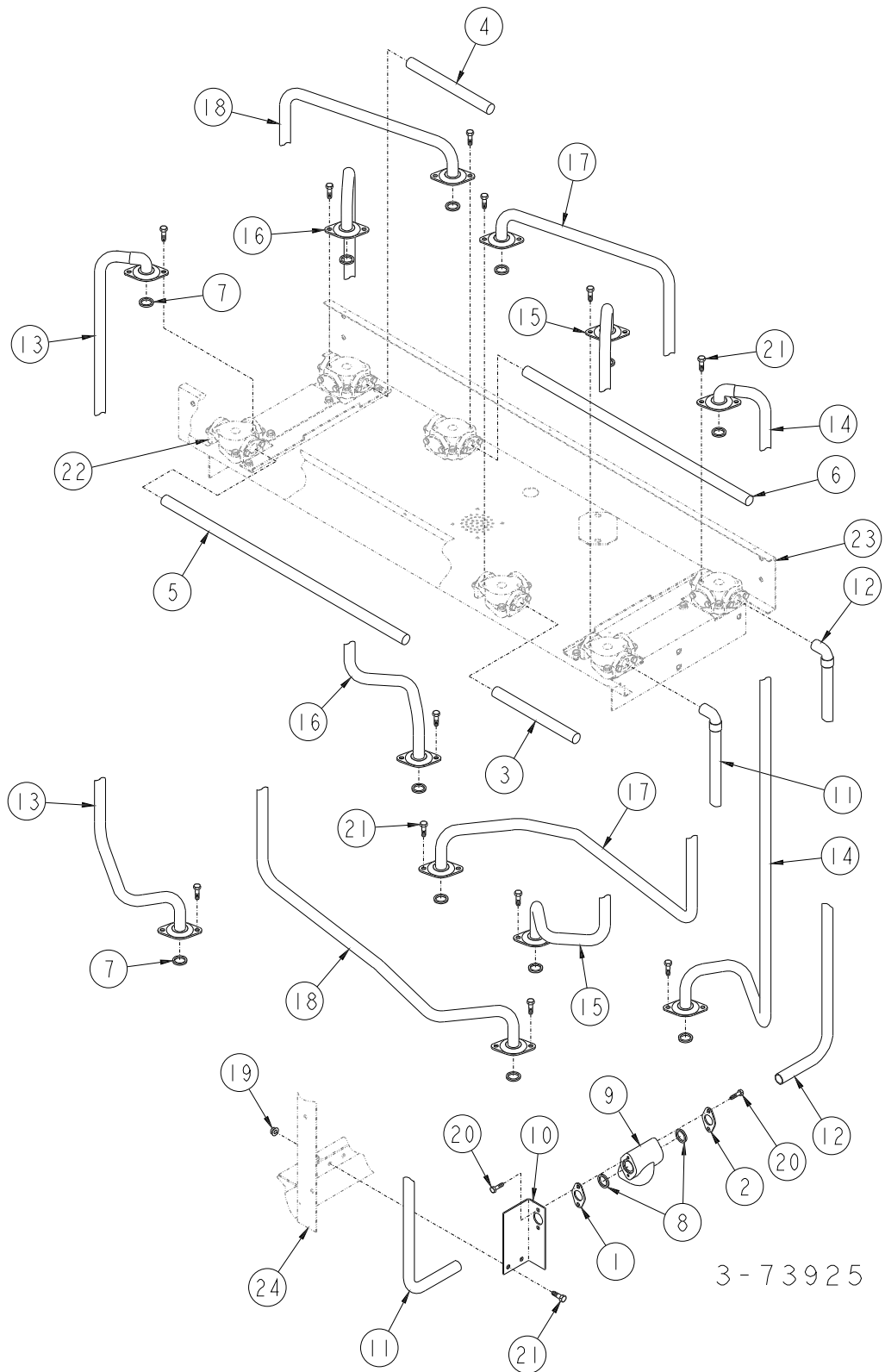


## DISCHARGE ASSEMBLY (17" Wide Raceway) (H413B & H426B)

(1st Design See Serial Break List 71144)

ITEM NO.	PART NO.	DESCRIPTION	ITEM NO.	PART NO.	DESCRIPTION
1	70-230486	Copper Tube Nipple (H413B & H426B Side "A")	17	06-51700	1" x 90° Banded Elbow
2	70-230486	Copper Tube Nipple (H426B Side "B")	18	05-51900	3/4" Pipe Plug (H413B only)
3	72-230486	Copper Tube Nipple (H413B & H426B Side "A")		1-230993	90° Inverted Flare Elbow (H426B Side "B")
4	72-230486	Copper Tube Nipple (H426B Side "B")	19	<u>For parts call out of Outlet Adapter Assembly see 72276.</u>	
5	1-230993	90° Inverted Flare Elbow	20	<u>For parts call out of Raceway Assembly see 72218.</u>	
6	1-230994	Inverted Flare Connector		<u>Reference for Tokheim internal use only:</u>	
7	319607-1	Discharge Tube Assembly (H413B & H426B Side "A")	319392	Meter & Hydraulics Assembly	
8	319607-1	Discharge Tube Assembly (H426B Side "B")	319395	Trim Assembly	
9	319608-1	Discharge Tube Assembly (H413B & H426B Side "A")	319396	Raceway Assembly	
10	319608-1	Discharge Tube Assembly (H426B Side "B")			
11	319609-1	Discharge Tube Assembly (H413B & H426B Side "A")			
12	319609-1	Discharge Tube Assembly (H426B Side "B")			
13	319617-1	Discharge Tube Assembly (H413B & H426B Side "A")			
14	319618-1	Discharge Tube Assembly (H426B Side "B")			
15	88-50560	1" x 3" Long Pipe Nipple			
16	32-51370	3/4" x 3/4" x 1" Reducer Tee			

DISCHARGE ASSEMBLY (17" Wide Raceway)  
(H413B & H426B)  
(2nd Design See Serial Break List 71144)



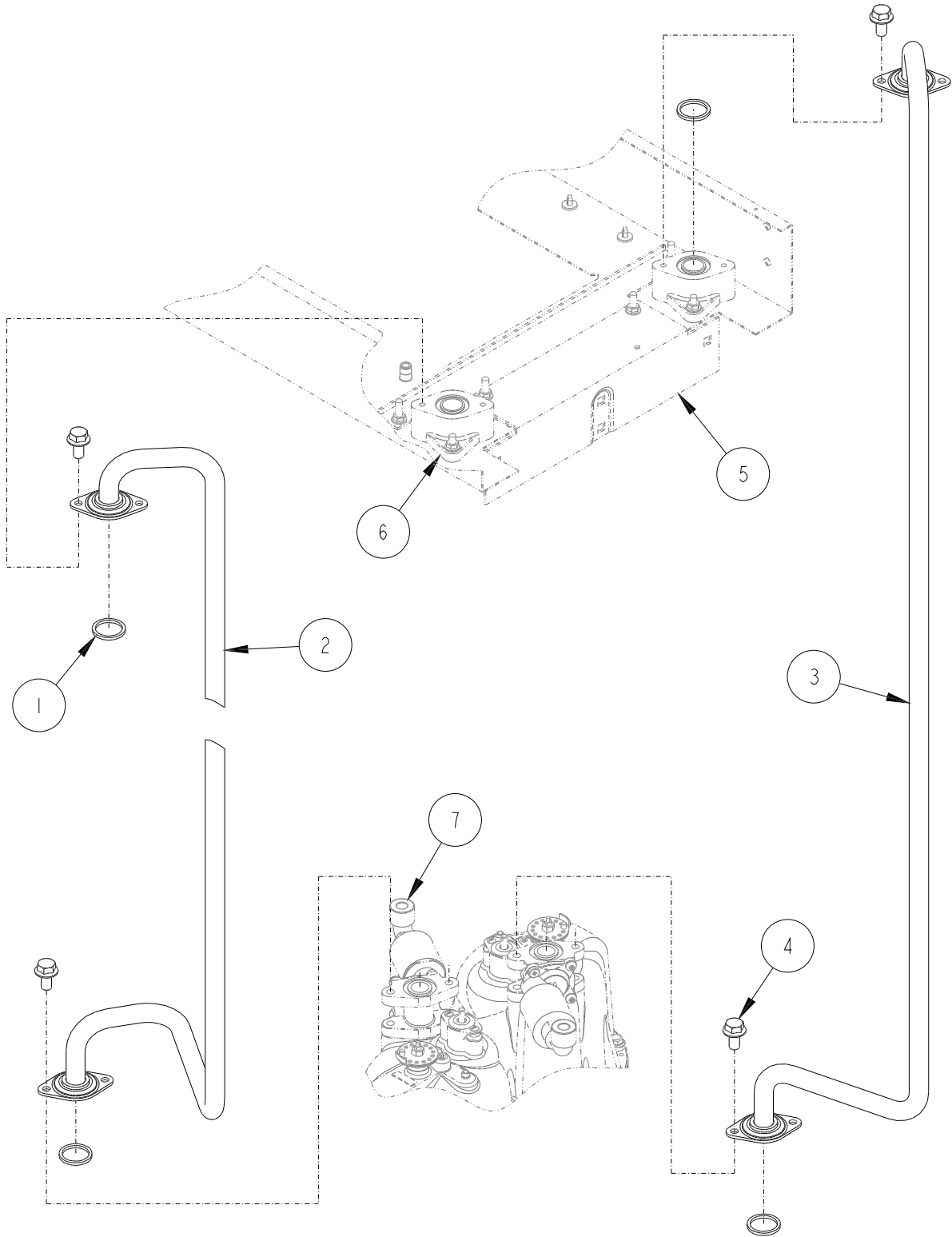
## DISCHARGE ASSEMBLY (17" Wide Raceway) (H413B & H426B)

(2nd Design See Serial Break List 71144)

ITEM NO.	PART NO.	DESCRIPTION	ITEM NO.	PART NO.	DESCRIPTION
1	1-132494	Vapor Flange	16	421633-1	Discharge Tube Assembly (H426B Side "B")
2	1-132494	Vapor Flange (H426B)	17	4211635-1	Discharge Tube Assembly (H413B & H426B Side "A")
	1-231836	Cap (H413B only)	18	421635-1	Discharge Tube Assembly (H426B Side "B")
3	70-230486	Copper Tube Nipple (H413B & H426B Side "A")	19	02-54752	5/16-18 M-F Flange Whiz Lock Nut
4	70-230486	Copper Tube Nipple (H426B Side "B")	20	05-55132	1/4-20 x 1/2" Long M-F Flange Whiz Lock Screw
5	72-230486	Copper Tube Nipple (H413B & H426B Side "A")	21	35-55132	5/16-18 x 5/8" Long M-F Flange Whiz Lock Screw
6	72-230486	Copper Tube Nipple (H426B Side "B")	22	<u>For parts call out of Outlet Adapter Assembly see:</u>	
7	13-313235	Gasket		72280	Vapor Recovery
8	20-313235	Gasket		72615	Non Vapor Recovery
9	1-319405	Offset Tee	23	<u>For parts call out of Raceway Assembly see</u>	
10	1-319787	Support Bracket		72218.	
11	421628-1	Vapor Tube Assembly (H413B & H426B Side "A")	24	<u>For parts call out of Chassis Assembly see</u>	
12	421628-2	Vapor Tube Assembly (H426B Side "B")		741593.	
13	421631-1	Discharge Tube Assembly (H413B & H426B Side "A")		<u>Reference for Tokheim internal use only:</u>	
14	421631-1	Discharge Tube Assembly (H426B Side "B")		319742	Raceway Assembly
15	421633-1	Discharge Tube Assembly (H413B & H426B Side "A")		319743	Trim Assembly

3-73925

DISCHARGE ASSEMBLY (20" Wide Raceway)  
(H322B)



1-72675

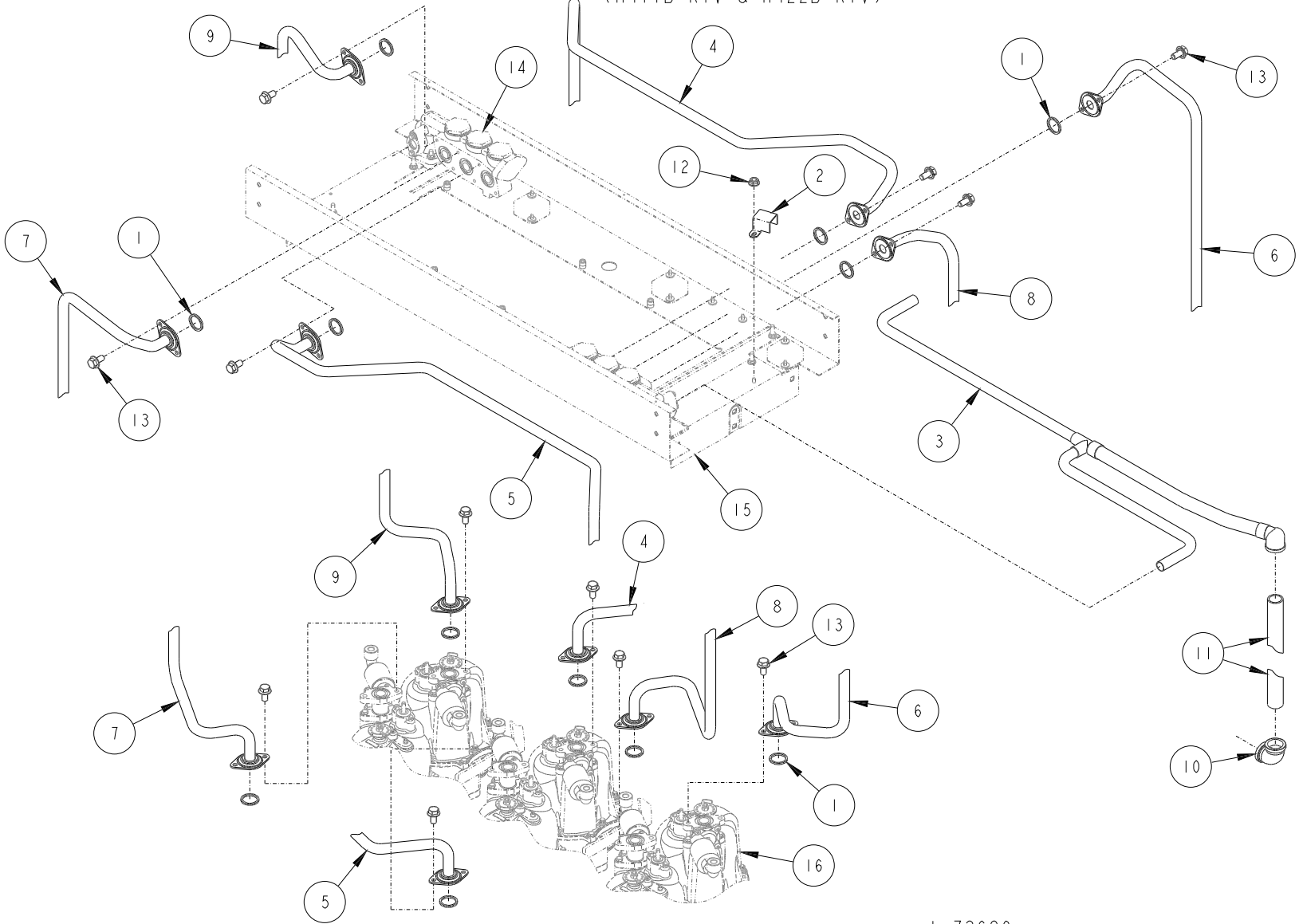
## DISCHARGE ASSEMBLY (20" Wide Raceway) (H322B)

ITEM NO.	PART NO.	DESCRIPTION
1	13-313235	Gasket
2	1-422500	Discharge Tube Assembly
3	1-422501	Discharge Tube Assembly
4	35-55132	5/16-18 x 5/8" Long M-F Flange Whiz Lock Screw
5	<u>For parts call out of Raceway Assembly see 72365.</u>	
6	<u>For parts call out of Non Vapor Recovery Outlet Adapter Assembly see: 72615</u>	
7	<u>For parts call out of Meter &amp; Hydraulics Assembly see 73897.</u>	

Reference for Tokheim internal use only:

319811	Raceway Assembly
319821	Trim Assembly

DISCHARGE ASSEMBLY (20" Wide Raceway)  
(H411B-RIV & H422B-RIV)



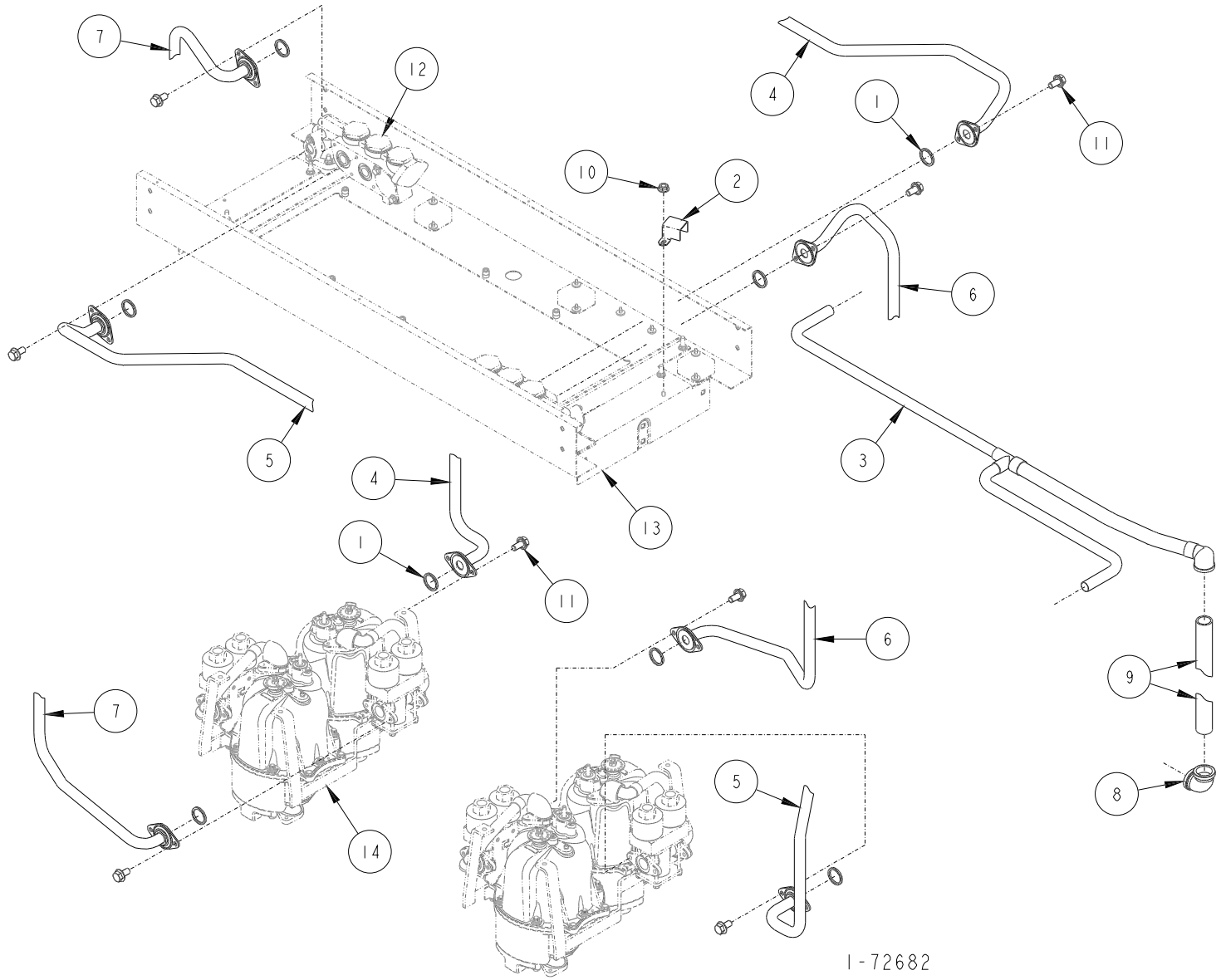
1-72680

## DISCHARGE ASSEMBLY (20" Wide Raceway)

### (H411B-RIV & H422B-RIV)

ITEM NO.	PART NO.	DESCRIPTION	ITEM NO.	PART NO.	DESCRIPTION
1	13-313235	Gasket	13	35-55132	5/16-18 x 5/8" Long M-F Flange Whiz Lock Screw
2	1-320939	Clamp	14		<u>For parts call out of Check Valve Assembly see 72283.</u>
3		<u>Vapor Outlet Tube Assembly</u>	15		<u>For parts call out of Raceway Assembly see 72365.</u>
	1-320943	H422B-RIV	16		<u>For parts call out of Meter &amp; Hydraulics Assembly see 73892.</u>
	1-422526	H411B-RIV			<u>Reference for Tokheim internal use only:</u>
4	1-422492	Discharge Tube Assembly (H411B-RIV & H422B-RIV Side "A")	319365		Raceway Assembly
5	1-422492	Discharge Tube Assembly (H422B-RIV Side "B")	319392		Meter & Hydraulics Assembly
6	1-422493	Discharge Tube Assembly (H411B-RIV & H422B-RIV Side "A")	319743		Trim Assembly
7	1-422493	Discharge Tube Assembly (H422B-RIV Side "B")			
8	1-422494	Discharge Tube Assembly (H411B-RIV & H422B-RIV Side "A")			
9	1-422494	Discharge Tube Assembly (H422B-RIV Side "B")			
10	06-51700	1" x 90° Banded Elbow			
11	307-50510	Pipe			
12	01-54752	1/4-20 M-F Flange Whiz Lock Nut			

DISCHARGE ASSEMBLY (20" Wide Raceway)  
(H411B-RB3IV & H422B-RB3IV)



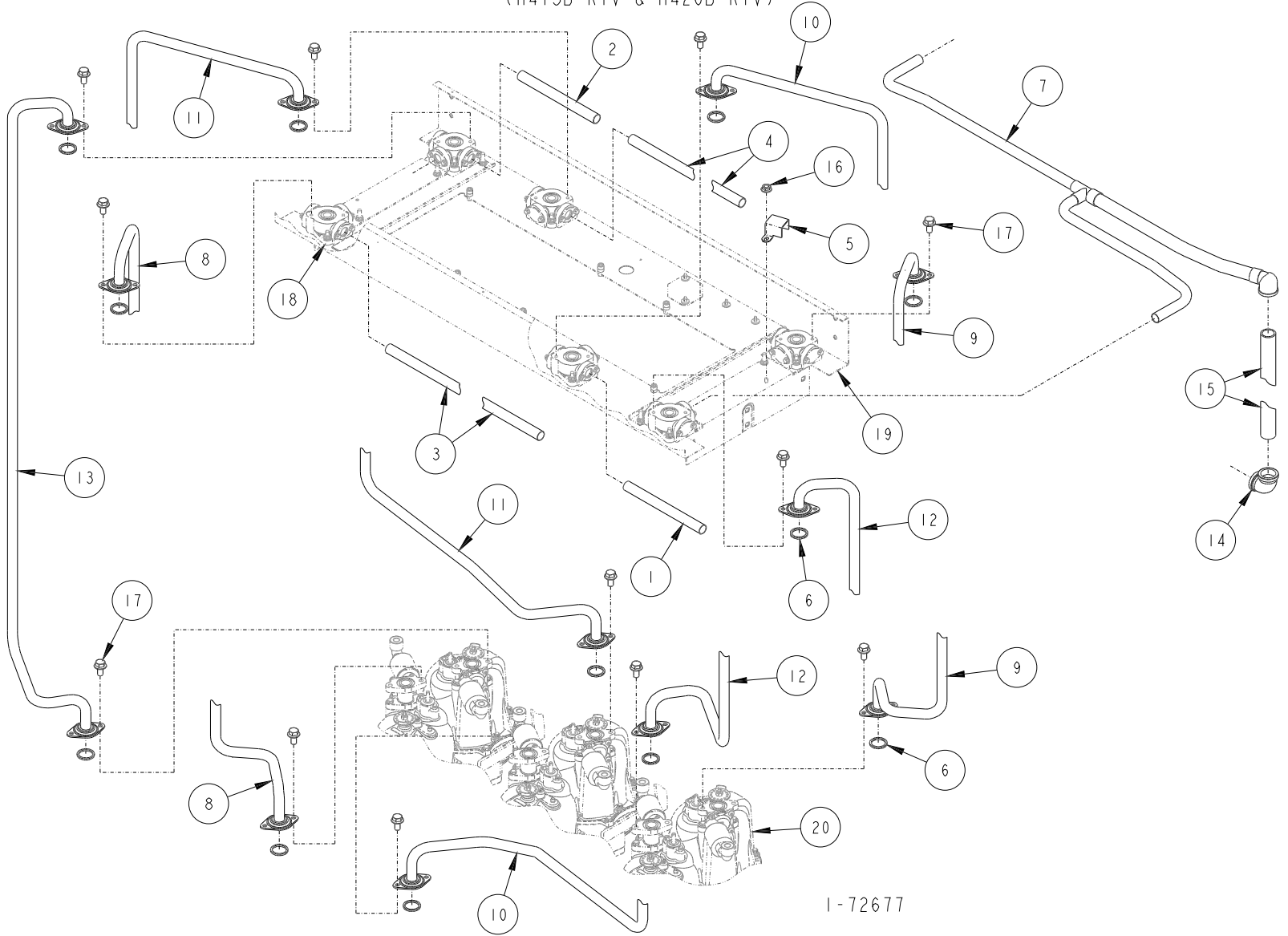
I-72682

## DISCHARGE ASSEMBLY (20" Wide Raceway)

### (H411B-RB3IV & H422B-RB3IV)

ITEM NO.	PART NO.	DESCRIPTION	ITEM NO.	PART NO.	DESCRIPTION
1	13-313235	Gasket	14		<u>For parts call out of Meter &amp; Hydraulics Assembly see 73892.</u>
2	1-320939	Clamp			
3		<u>Vapor Outlet Tube Assembly</u>			<u>Reference for Tokheim internal use only:</u>
	1-320943	H422B-RB3IV		319365	Raceway Assembly
	1-422526	H411B-RB3IV		319392	Meter & Hydraulics Assembly
4	1-422495	Discharge Tube Assembly (H411B-RB3IV & H422B-RB3IV Side "A")		319743	Trim Assembly
5	1-422495	Discharge Tube Assembly (H422B-RB3IV Side "B")			
6	1-422496	Discharge Tube Assembly (H411B-RB3IV & H422B-RB3IV Side "A")			
7	1-422496	Discharge Tube Assembly (H422B-RB3IV Side "B")			
8	06-51700	1" x 90° Banded Elbow			
9	307-50510	Pipe			
10	01-54752	1/4-20 M-F Flange Whiz Lock Nut			
11	35-55132	5/16-18 x 5/8" Long M-F Flange Whiz Lock Screw			
12		<u>For parts call out of Check Valve Assembly see 72283.</u>			
13		<u>For parts call out of Raceway Assembly see 72365.</u>			

DISCHARGE ASSEMBLY (20" Wide Raceway)  
(H413B-RIV & H426B-RIV)



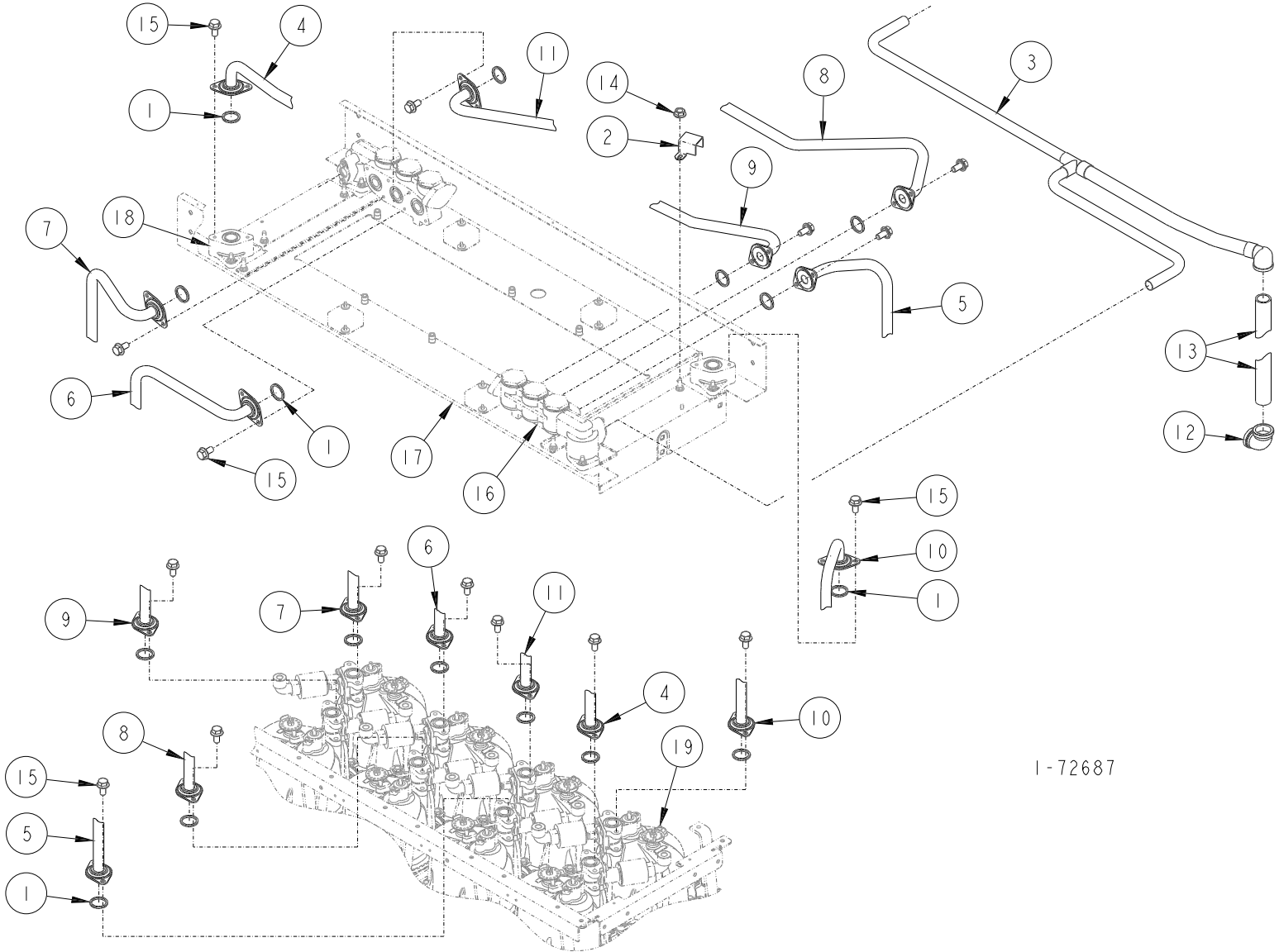
I-72677

## DISCHARGE ASSEMBLY (20" Wide Raceway)

### (H413B-RIV & H426B-RIV)

ITEM NO.	PART NO.	DESCRIPTION	ITEM NO.	PART NO.	DESCRIPTION
1	70-230486	Copper Tube Nipple (H413B-RIV & H426B-RIV Side "A")	12	1-422487	Discharge Tube Assembly (H413B-RIV & H426B-RIV Side "A")
2	70-230486	Copper Tube Nipple H426B-RIV Side "B")	13	1-422487	Discharge Tube Assembly (H426B-RIV Side "B")
3	72-230486	Copper Tube Nipple (H413B-RIV & H426B-RIV Side "A")	14	06-51700	1" x 90° Banded Elbow
4	72-230486	Copper Tube Nipple H426B-RIV Side "B")	15	307-50510	Pipe
5	1-320939	Clamp	16	01-54752	1/4-20 M-F Flange Whiz Lock Nut
6	13-313235	Gasket	17	35-55132	5/16-18 x 5/8" Long M-F Flange Whiz Lock Screw
7	<u>Vapor Outlet Tube Assembly</u>		18	<u>For parts call out of Outlet Adapter Assembly see 72280.</u>	
	2-320943	H426B-RIV	19	<u>For parts call out of Raceway Assembly see 72365.</u>	
	1-422524	H413B-RIV	20	<u>For parts call out of Meter &amp; Hydraulics Assembly see 73892.</u>	
8	1-422485	Discharge Tube Assembly (H413B-RIV & H426B-RIV Side "A")	<u>Reference for Tokheim internal use only:</u>		
9	1-422485	Discharge Tube Assembly (H426B-RIV Side "B")	319365	Raceway Assembly	
10	1-422486	Discharge Tube Assembly (H413B-RIV & H426B-RIV Side "A")	319392	Meter & Hydraulics Assembly	
11	1-422486	Discharge Tube Assembly (H426B-RIV Side "B")	319743	Trim Assembly	

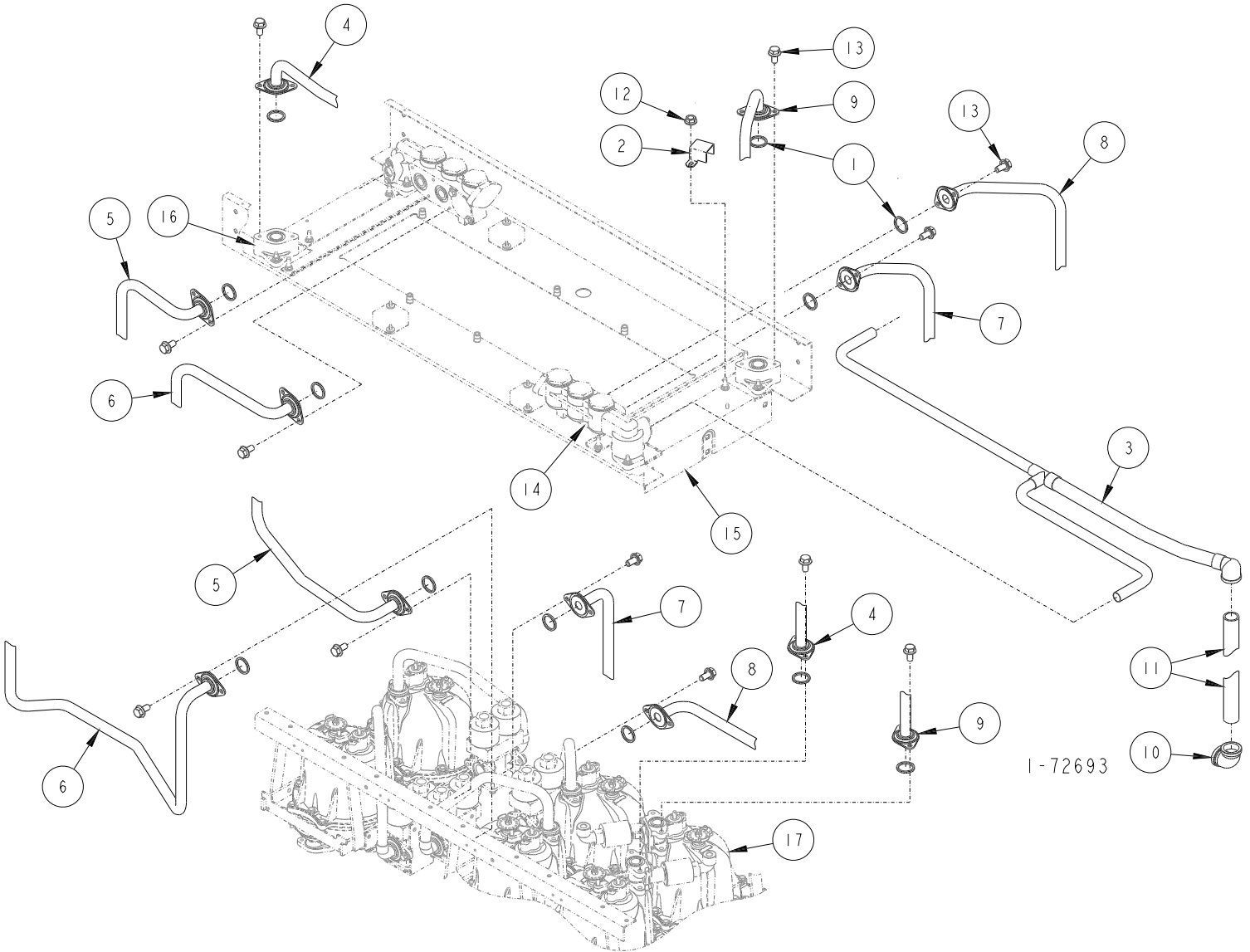
DISCHARGE ASSEMBLY (20" Wide Raceway)  
(H424B-RTR1V/Non Vapor)



1-72687



DISCHARGE ASSEMBLY (20" Wide Raceway)  
(H424B-RB3TRIV/Non Vapor)

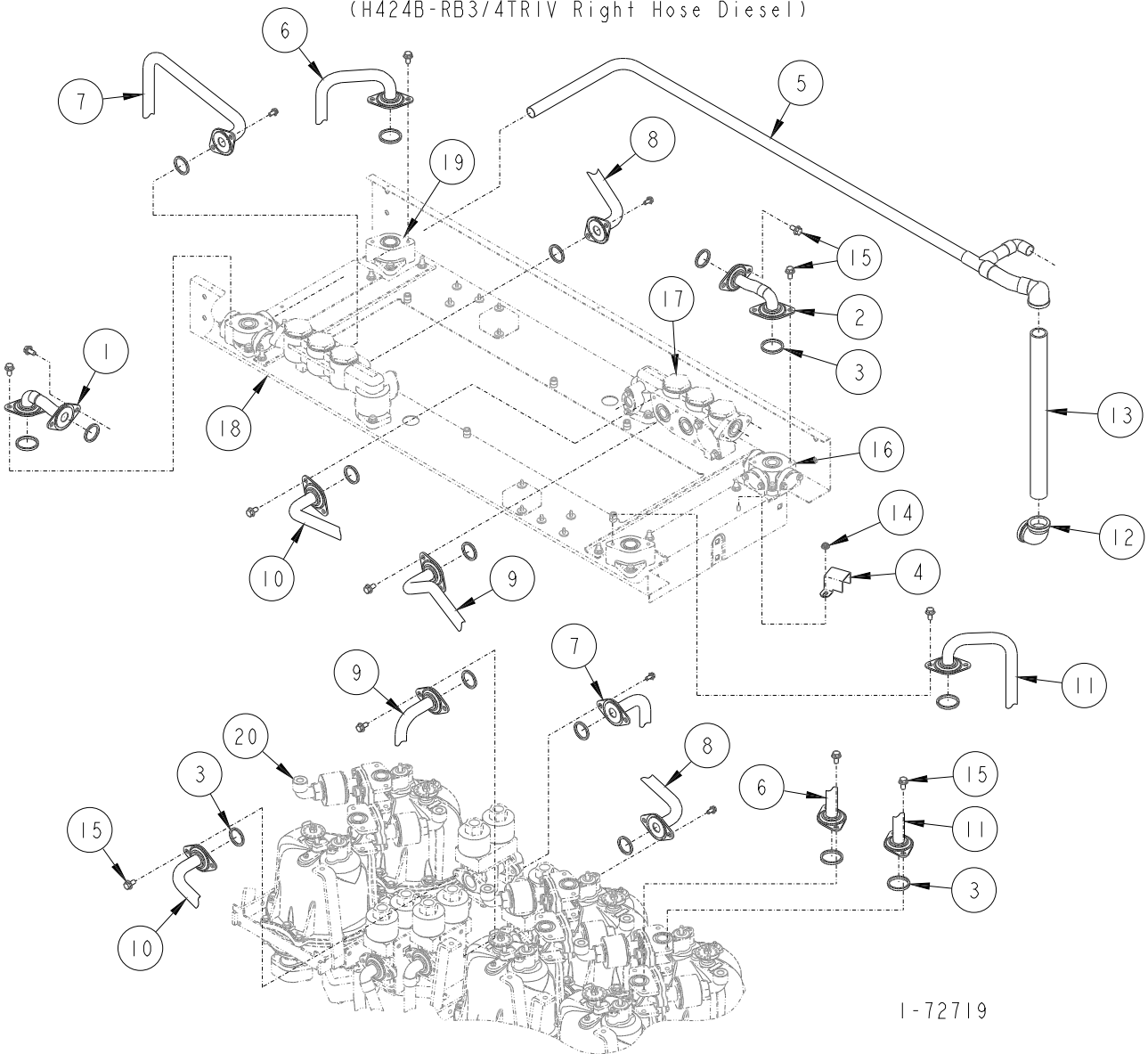


## DISCHARGE ASSEMBLY (20" Wide Raceway) (H424B-RB3TRIV/Non Vapor)

ITEM NO.	PART NO.	DESCRIPTION
1	13-313235	Gasket
2	1-320939	Clamp
3	1-320943	Vapor Outlet Tube Assembly
4	1-422506	Discharge Tube Assembly
5	1-422520	Discharge Tube Assembly
6	1-422519	Discharge Tube Assembly
7	1-422521	Discharge Tube Assembly
8	1-422522	Discharge Tube Assembly
9	1-422515	Discharge Tube Assembly
10	06-51700	1" x 90° Banded Elbow
11	307-50510	Pipe
12	01-54752	1/4-20 M-F Flange Whiz Lock Nut
13	35-55132	5/16-18 x 5/8" Long M-F Flange Whiz Lock Screw
14	<u>For parts call out of Check Valve Assembly see 72283.</u>	
15	<u>For parts call out of Raceway Assembly see 72365.</u>	
16	<u>For parts call out of Non Vapor Outlet Adapter Assembly see: 72615.</u>	
17	<u>For parts call out of Meter &amp; Hydraulics Assembly see 73899.</u>	

ITEM NO.	PART NO.	DESCRIPTION
<u>Reference for Tokheim internal use only:</u>		
319365		Raceway Assembly
319392		Meter & Hydraulics Assembly
319743		Trim Assembly

DISCHARGE ASSEMBLY (20" Wide Raceway)  
 (H424B-RB3/4TRIV Right Hose Diesel)



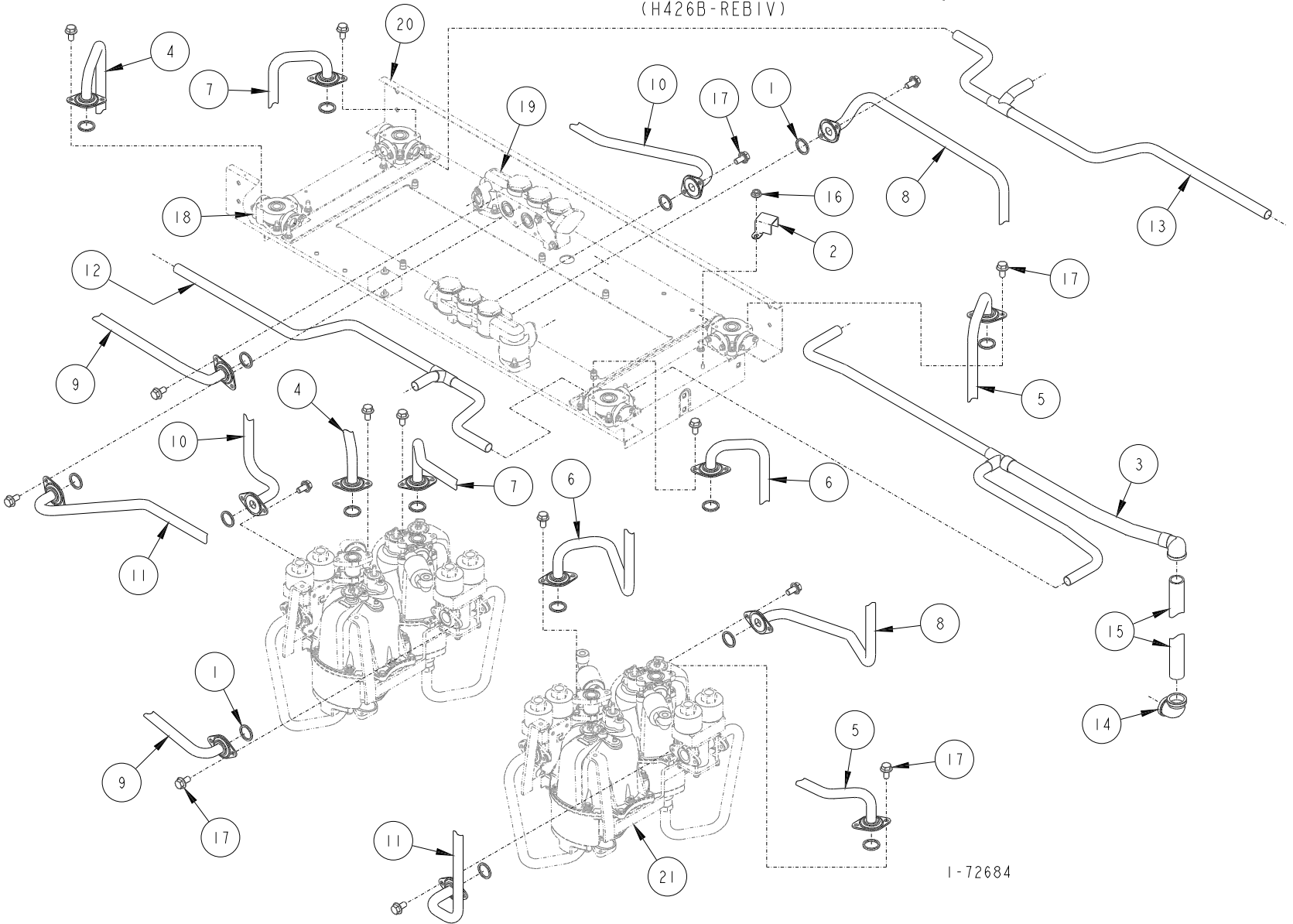
1-72719

## DISCHARGE ASSEMBLY (20" Wide Raceway)

### (H424B-RB3/4TRIV Right Hose Diesel)

ITEM NO.	PART NO.	DESCRIPTION	ITEM NO.	PART NO.	DESCRIPTION
1	232387-2	Jumper Tube Assembly	19		<u>For parts call out of Non Vapor Outlet Adapter Assembly see: 72615.</u>
2	232387-2	Jumper Tube Assembly	20		<u>For parts call out of Meter &amp; Hydraulics Assembly see 73899.</u>
3	13-313235	Gasket			<u>Reference for Tokheim internal use only:</u>
4	1-320939	Clamp		319365	Raceway Assembly
5	1-321064	Vapor Outlet Tube Assembly		319392	Meter & Hydraulics Assembly
6	1-422549	Discharge Tube Assembly		319743	Trim Assembly
7	1-422556	Discharge Tube Assembly			
8	1-422557	Discharge Tube Assembly			
9	1-422558	Discharge Tube Assembly			
10	1-422559	Discharge Tube Assembly			
11	1-422571	Discharge Tube Assembly			
12	06-51700	1" x 90° Banded Elbow			
13	307-50510	Pipe			
14	01-54752	1/4-20 M-F Flange Whiz Lock Nut			
15	35-55132	5/16-18 x 5/8" Long M-F Flange Whiz Lock Screw			
16		<u>For parts call out of Outlet Adapter Assembly see 72280.</u>			
17		<u>For parts call out of Check Valve Assembly see 72283.</u>			
18		<u>For parts call out of Raceway Assembly see 72365.</u>			

DISCHARGE ASSEMBLY (20" Wide Raceway)  
(H426B-REBIV)

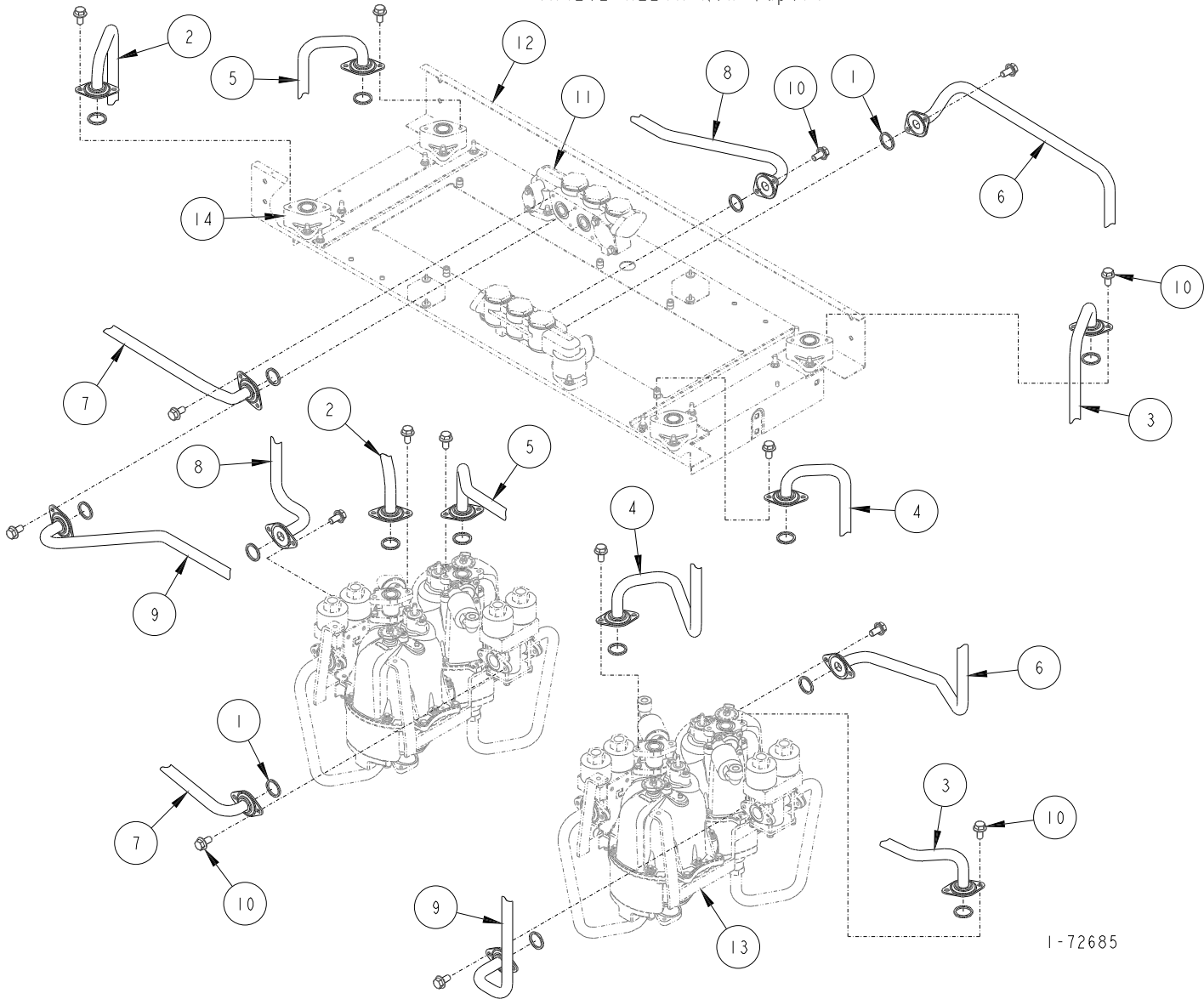


1-72684

## DISCHARGE ASSEMBLY (20" Wide Raceway) (H426B-REBIV)

ITEM NO.	PART NO.	DESCRIPTION	ITEM NO.	PART NO.	DESCRIPTION
1	13-313235	Gasket	21		<u>For parts call out of Meter &amp; Hydraulics Assembly see 73899.</u>
2	1-320939	Clamp			<u>Reference for Tokheim internal use only:</u>
3	2-320943	Vapor Outlet Tube Assembly		319365	Raceway Assembly
4	1-422485	Discharge Tube Assembly		319392	Meter & Hydraulics Assembly
5	1-422485	Discharge Tube Assembly		319743	Trim Assembly
6	1-422487	Discharge Tube Assembly			
7	1-422487	Discharge Tube Assembly			
8	1-422513	Discharge Tube Assembly			
9	1-422513	Discharge Tube Assembly			
10	1-422514	Discharge Tube Assembly			
11	1-422514	Discharge Tube Assembly			
12	1-422523	Vapor Inlet Tube Assembly			
13	1-422523	Vapor Inlet Tube Assembly			
14	06-51700	1" x 90° Banded Elbow			
15	307-50510	Pipe			
16	01-54752	1/4-20 M-F Flange Whiz Lock Nut			
17	35-55132	5/16-18 x 5/8" Long M-F Flange Whiz Lock Screw			
18		<u>For parts call out of Outlet Adapter Assembly see 72280.</u>			
19		<u>For parts call out of Check Valve Assembly see 72283.</u>			
20		<u>For parts call out of Raceway Assembly see 72365. see: 72615.</u>			

DISCHARGE ASSEMBLY (20" Wide Raceway)  
(H426B-REBTR Non Vapor)



1-72685

## DISCHARGE ASSEMBLY (20" Wide Raceway)

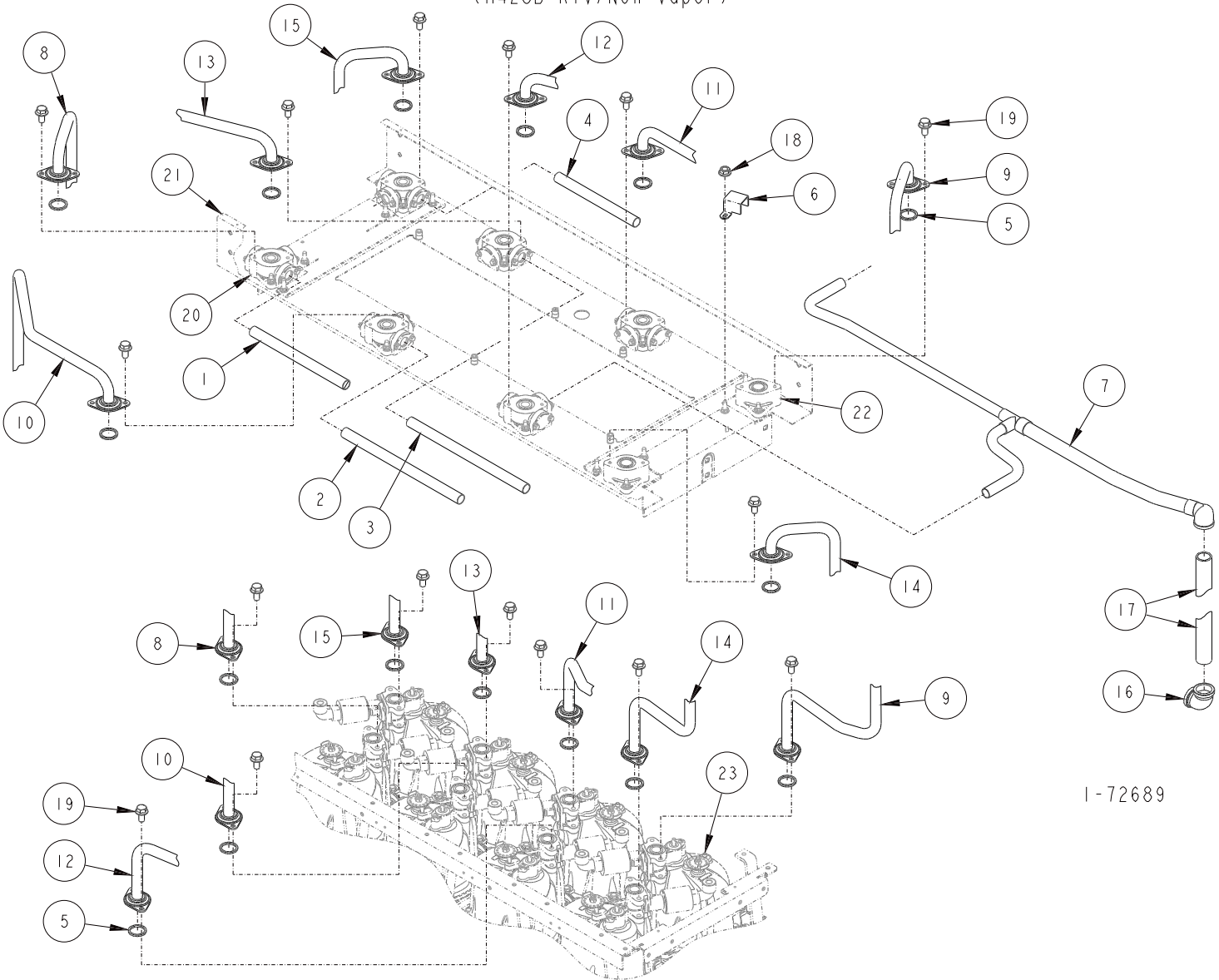
### (H426B-REBTR Non Vapor)

ITEM NO.	PART NO.	DESCRIPTION
1	13-313235	Gasket
2	1-422485	Discharge Tube Assembly
3	1-422485	Discharge Tube Assembly
4	1-422487	Discharge Tube Assembly
5	1-422487	Discharge Tube Assembly
6	1-422513	Discharge Tube Assembly
7	1-422513	Discharge Tube Assembly
8	1-422514	Discharge Tube Assembly
9	1-422514	Discharge Tube Assembly
10	35-55132	5/16-18 x 5/8" Long M-F Flange Whiz Lock Screw
11	<u>For parts call out of Check Valve Assembly see 72283.</u>	
12	<u>For parts call out of Raceway Assembly see 72365.</u>	
13	<u>For parts call out of Meter &amp; Hydraulics Assembly see 73899.</u>	
14	<u>For parts call out of Non Vapor Outlet Adapter Assembly see 72615.</u>	

Reference for Tokheim internal use only:

319365	Raceway Assembly
319392	Meter & Hydraulics Assembly
319743	Trim Assembly

DISCHARGE ASSEMBLY (20" Wide Raceway)  
(H428B-RIV/Non Vapor)



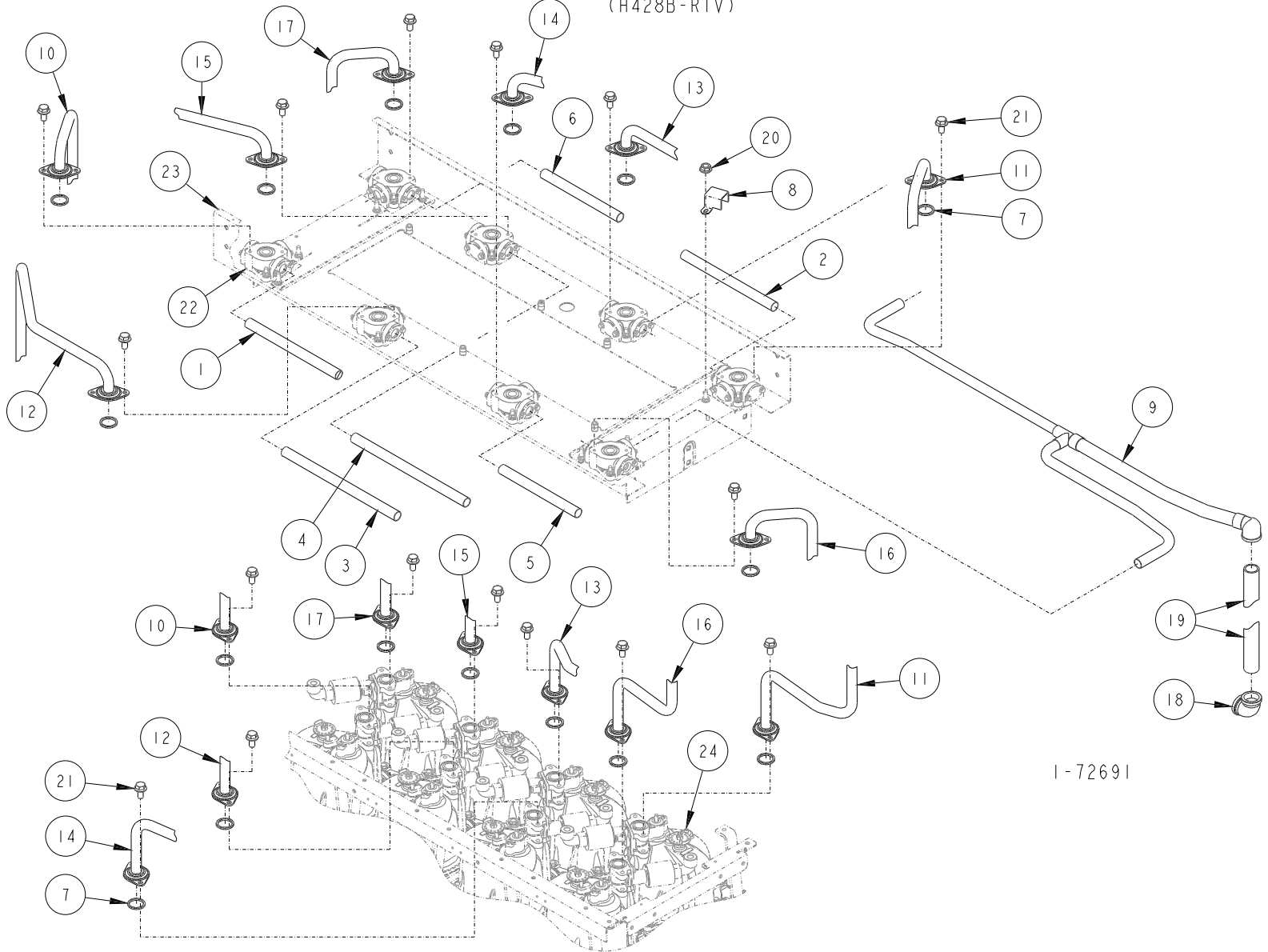
1-72689

## DISCHARGE ASSEMBLY (20" Wide Raceway)

### (H428B-RIV/Non Vapor)

ITEM NO.	PART NO.	DESCRIPTION	ITEM NO.	PART NO.	DESCRIPTION
1	28-230486	Copper Tube Nipple			
2	57-230486	Copper Tube Nipple			
3	57-230486	Copper Tube Nipple			
4	70-230486	Copper Tube Nipple			
5	13-313235	Gasket			
6	1-320939	Clamp			
7	3-320943	Vapor Outlet Tube Assembly			
8	1-422514	Discharge Tube Assembly			
9	1-422514	Discharge Tube Assembly			
10	1-422527	Discharge Tube Assembly			
11	1-422527	Discharge Tube Assembly			
12	1-422528	Discharge Tube Assembly			
13	1-422528	Vapor Inlet Tube Assembly			
14	1-422529	Discharge Tube Assembly			
15	1-422529	Discharge Tube Assembly			
16	06-51700	1" x 90° Banded Elbow			
17	307-50510	Pipe			
18	01-54752	1/4-20 M-F Flange Whiz Lock Nut			
19	35-55132	5/16-18 x 5/8" Long M-F Flange Whiz Lock Screw			
20		<u>For parts call out of Outlet Adapter Assembly see 72280.</u>			
21		<u>For parts call out of Raceway Assembly see 72365.</u>			
22		<u>For parts call out of Non Vapor Outlet Adapter Assembly see 72615.</u>			
23		<u>For parts call out of Meter &amp; Hydraulics Assembly see 73899.</u>			
					Reference for Tokheim internal use only:
			319365		Raceway Assembly
			319392		Meter & Hydraulics Assembly
			319743		Trim Assembly

DISCHARGE ASSEMBLY (20" Wide Raceway)  
(H428B-RIV)



1-72691

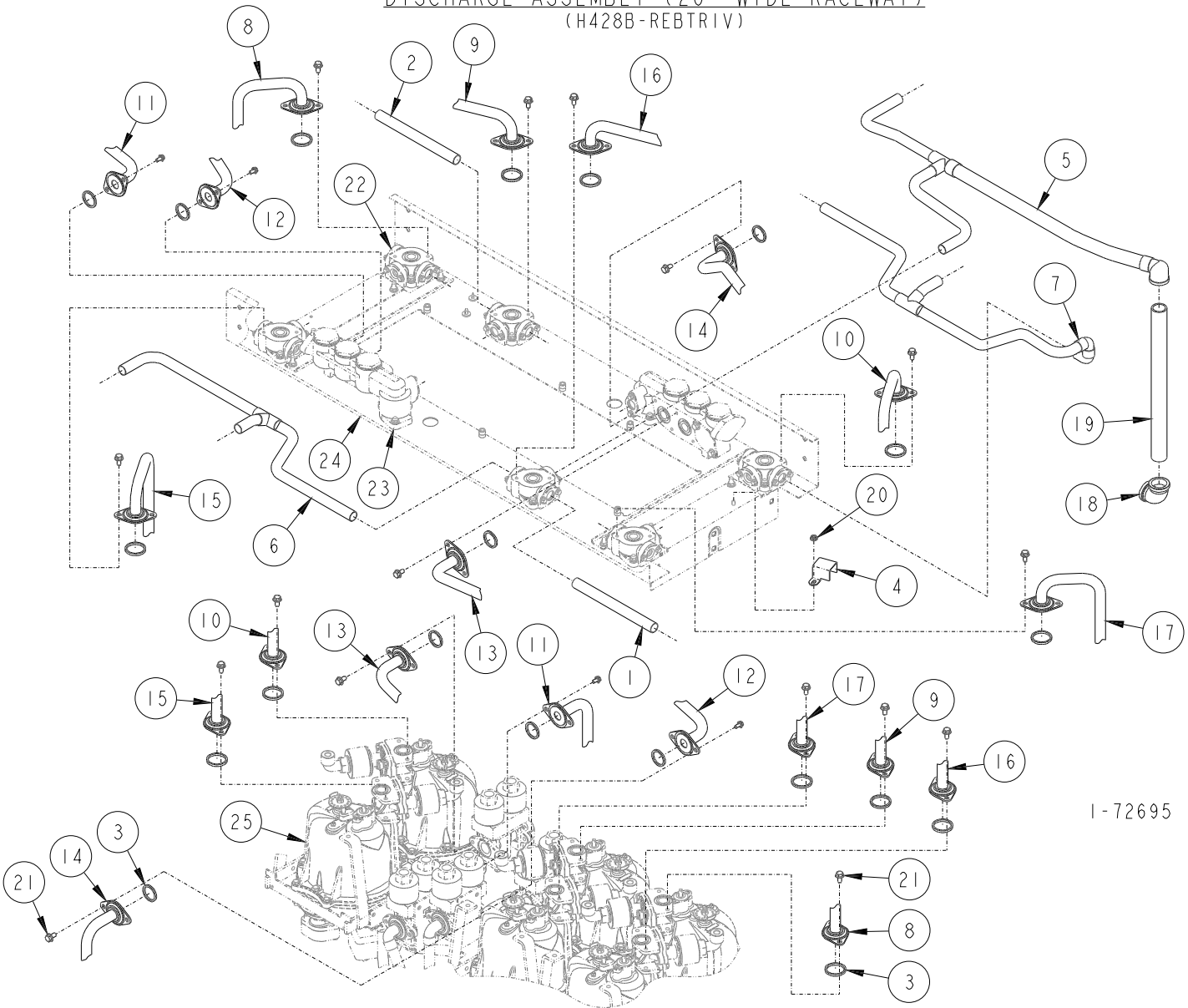
## DISCHARGE ASSEMBLY (20" Wide Raceway)

### (H428B-RIV)

ITEM NO.	PART NO.	DESCRIPTION
1	28-230486	Copper Tube Nipple
2	28-230486	Copper Tube Nipple
3	57-230486	Copper Tube Nipple
4	57-230486	Copper Tube Nipple
5	70-230486	Copper Tube Nipple
6	70-230486	Copper Tube Nipple
7	13-313235	Gasket
8	1-320939	Clamp
9	2-320943	Vapor Outlet Tube Assembly
10	1-422514	Discharge Tube Assembly
11	1-422514	Discharge Tube Assembly
12	1-422527	Discharge Tube Assembly
13	1-422527	Discharge Tube Assembly
14	1-422528	Discharge Tube Assembly
15	1-422528	Vapor Inlet Tube Assembly
16	1-422529	Discharge Tube Assembly
17	1-422529	Discharge Tube Assembly
18	06-51700	1" x 90° Banded Elbow
19	307-50510	Pipe
20	01-54752	1/4-20 M-F Flange Whiz Lock Nut
21	35-55132	5/16-18 x 5/8" Long M-F Flange Whiz Lock Screw
22	<u>For parts call out of Outlet Adapter Assembly see 72280.</u>	
23	<u>For parts call out of Raceway Assembly see 72365.</u>	
24	<u>For parts call out of Meter &amp; Hydraulics Assembly see 73899.</u>	

ITEM NO.	PART NO.	DESCRIPTION
<u>Reference for Tokheim internal use only:</u>		
319365		Raceway Assembly
319392		Meter & Hydraulics Assembly
319743		Trim Assembly

DISCHARGE ASSEMBLY (20" WIDE RACEWAY)  
(H428B-REBTRIV)



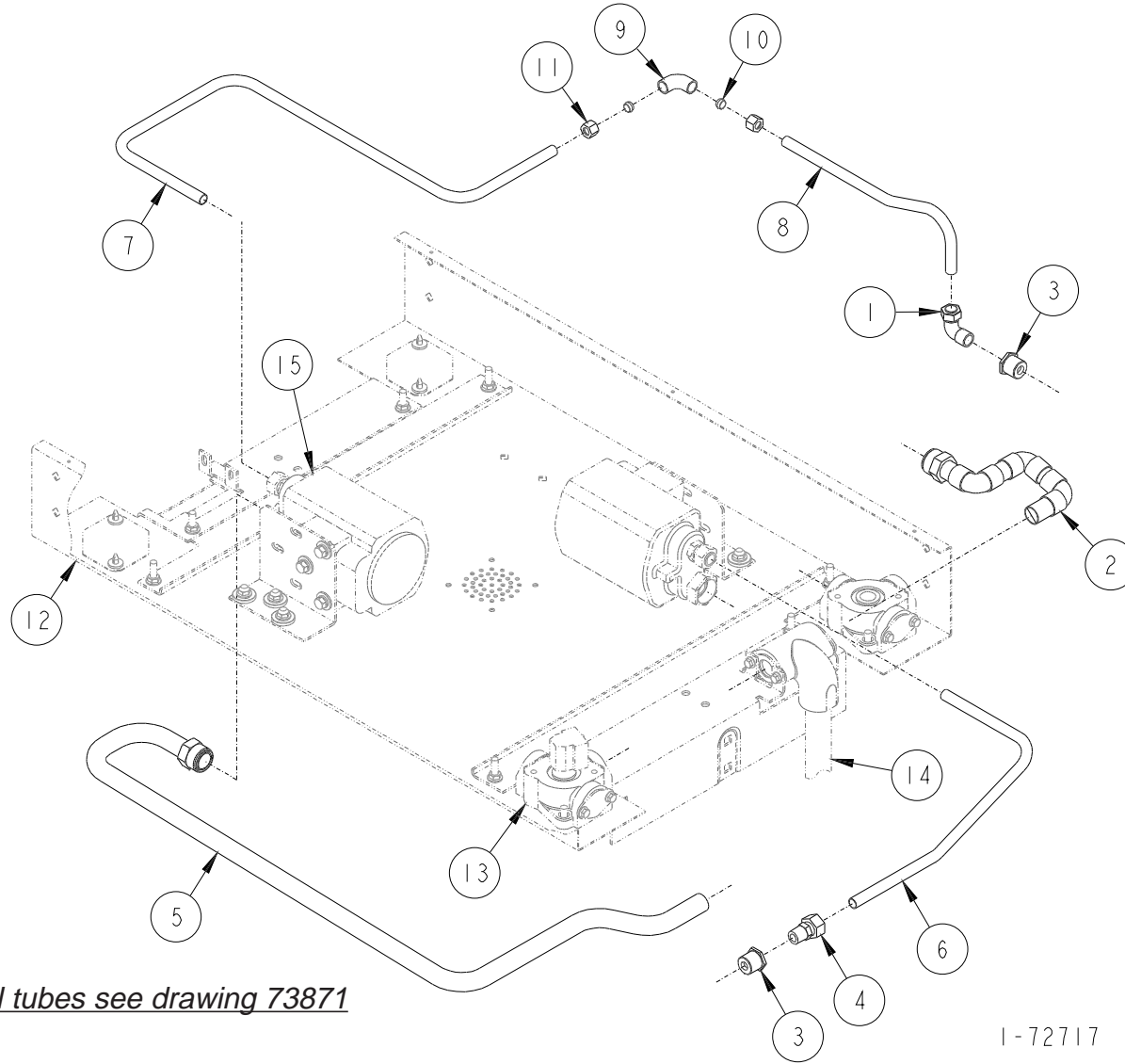
I-72695

## DISCHARGE ASSEMBLY (20" Wide Raceway) (H428B-REBTRIV)

ITEM NO.	PART NO.	DESCRIPTION
1	70-230486	Copper Tube Nipple
2	70-230486	Copper Tube Nipple
3	13-313235	Gasket
4	1-320939	Clamp
5	1-321002	Vapor Outlet Tube Assembly
6	1-321004	Vapor Manifold Assembly
7	2-321004	Vapor Manifold Assembly
8	1-422549	Discharge Tube Assembly
9	1-422551	Discharge Tube Assembly
10	1-422552	Discharge Tube Assembly
11	1-422556	Discharge Tube Assembly
12	1-422557	Discharge Tube Assembly
13	1-422558	Discharge Tube Assembly
14	1-422559	Discharge Tube Assembly
15	1-422563	Discharge Tube Assembly
16	1-422570	Discharge Tube Assembly
17	1-422571	Discharge Tube Assembly
18	06-51700	1" x 90° Banded Elbow
19	307-50510	Pipe
20	01-54752	1/4-20 M-F Flange Whiz Lock Nut
21	35-55132	5/16-18 x 5/8" Long M-F Flange Whiz Lock Screw

ITEM NO.	PART NO.	DESCRIPTION
22		<u>For parts call out of Outlet Adapter Assembly see 72280.</u>
23		<u>For parts call out of Check Valve Assembly see 72283.</u>
24		<u>For parts call out of Raceway Assembly see 72365.</u>
25		<u>For parts call out of Meter &amp; Hydraulics Assembly see 73899.</u>
<u>Reference for Tokheim internal use only:</u>		
319392		Meter & Hydraulics Assembly
319743		Trim Assembly
422499		Raceway Assembly

MAXVAC SYSTEM (24" WIDE RACEWAY)  
(H311B-RMV & H322B-RMV)  
(1st Design See Serial Break List 71144)



For fuel tubes see drawing 73871

1-72717

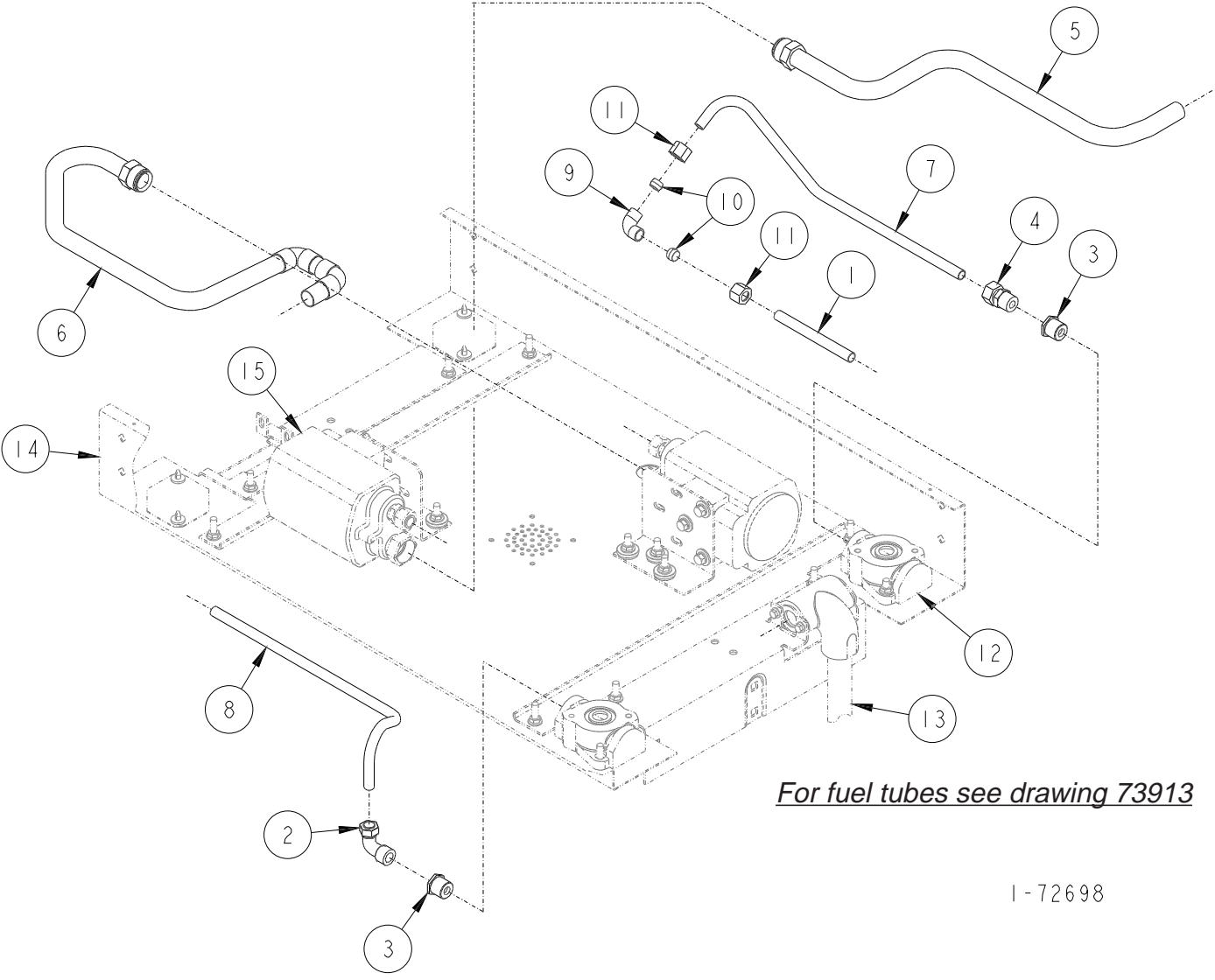
**MAXVAC SYSTEM (24" Wide Raceway)**  
**(H311B-RMV & H322B-RMV)**  
**(1st Design See Serial Break List 71144)**

ITEM NO.	PART NO.	DESCRIPTION
1	3-232281	3/8" NPTF Hex Bushing
2	232319-1	Vapor Tube Assembly (H311B-RMV & H322B-RMV Side "A")
3	1-233592	3/8" NPTF Hex Bushing
4	3-319636	3/8" NPTF Male Connector
5	319756-1	Vapor Tube Assembly (H322B-RMV Side "B")
6	1-320792	Vapor Inlet Tube (H311B-RMV & H322B-RMV Side "A")
7	1-320793	Vapor Inlet Tube (H322B-RMV Side "B")
8	1-320797	Vapor Inlet Tube (H322B-RMV Side "B")
9	16-52020	Compression Elbow
10	07-52040	Compression Sleeve
11	16-52040	Compression Nut
12	<u>For parts call out of Raceway Assembly see 72218.</u>	
13	<u>For parts call out of Outlet Adapter Assembly see 72276</u>	
14	<u>For parts call out of Vapor Return Line Assembly see 72277</u>	
15	<u>For parts call out of MaxVac Pump Assembly see 72714.</u>	

Reference for Tokheim internal use only:

319625 Raceway Assembly

MAXVAC SYSTEM (24" WIDE RACEWAY)  
(H311B-RMV & H322B-RMV)  
(2nd Design See Serial Break List 71144)



*For fuel tubes see drawing 73913*

1-72698

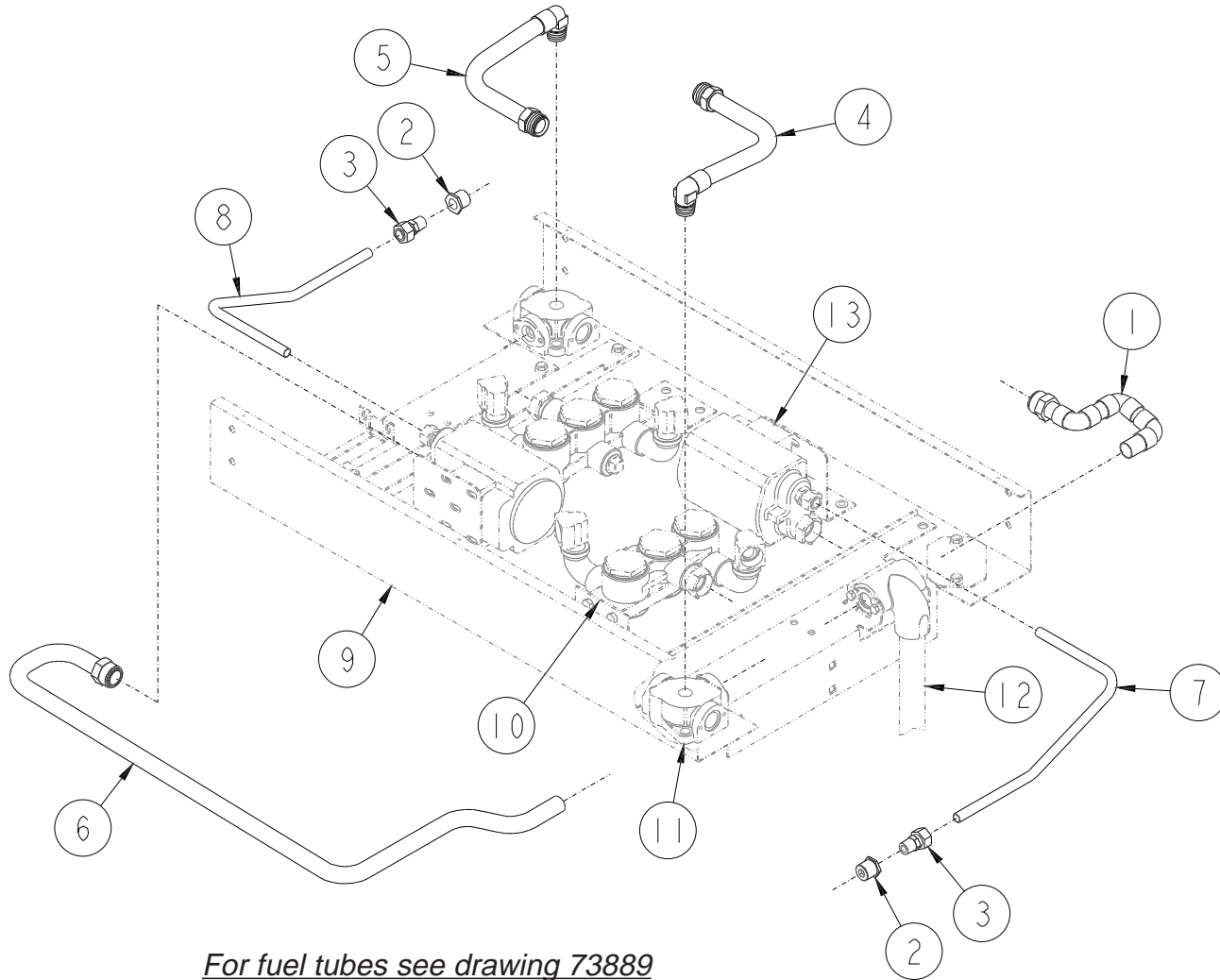
**MAXVAC SYSTEM (24" Wide Raceway)**  
**(H311B-RMV & H322B-RMV)**  
**(2nd Design See Serial Break List 71144)**

PREMIER Parts Manual • H Models  
 Form 4814A, Version 4.0 January 1999

Tokheim Corporation  
 3-97

ITEM NO.	PART NO.	DESCRIPTION	ITEM NO.	PART NO.	DESCRIPTION
1	99-230486	Copper Tube Nipple (H324B-RMV Side "B")	8	3-320798	Vapor Inlet Tube (H312B-RMV & H324B-RMV Side "A")
2	<u>Male Elbow</u>		9	16-52020	Compression Elbow
	1-232281	1/2" NPTF (MaxVac Production Serial No. 056822 & Above)	10	07-52040	Compression Sleeve
	3-232281	3/8" NPTF (All Interim Vapor, MaxVac Kits & MaxVac Production Serial No. 056821 & Below)	11	16-52040	Compression Nut
3	1-233592	3/8" NPTF Hex Bushing	12	<u>For parts call out of Outlet Adapter Assembly see 72280</u>	
4	<u>Male Connector</u>		13	<u>For parts call out of Vapor Return Line Assembly see 72282</u>	
	3-319636	3/8" NPTF (All Interim Vapor, MaxVac Kits & MaxVac Production Serial No. 056821 & Below)	14	<u>For parts call out of Raceway Assembly see 72218.</u>	
	4-319636	1/2" NPTF (MaxVac Production Serial No. 056822 & Above)	15	<u>For parts call out of MaxVac Pump Assembly see 72714.</u>	
5	319655-1	Vapor Tube Assembly (H324B-RMV Side "B")	<u>Reference for Tokheim internal use only:</u>		
6	319800-1	Vapor Tube Assembly (H312B-RMV & H324B-RMV Side "A")	319811	Raceway Assembly	
7	1-320778	Vapor Inlet Tube (H324B-RMV Side "B")			

MAXVAC SYSTEM (24" Wide Raceway)  
(H311B-RB3/RB5 & H322B-RB3/RB5)  
(1st Design See Serial Break List 71144)



*For fuel tubes see drawing 73889*

1-731043

**MAXVAC SYSTEM (24" Wide Raceway)**  
**(H311B-RB3/RB5 & H322B-RB3/RB5)**  
**(1st Design See Serial Break List 71144)**

PREMIER Parts Manual • H Models  
Form 4814A, Version 4.0 January 1999

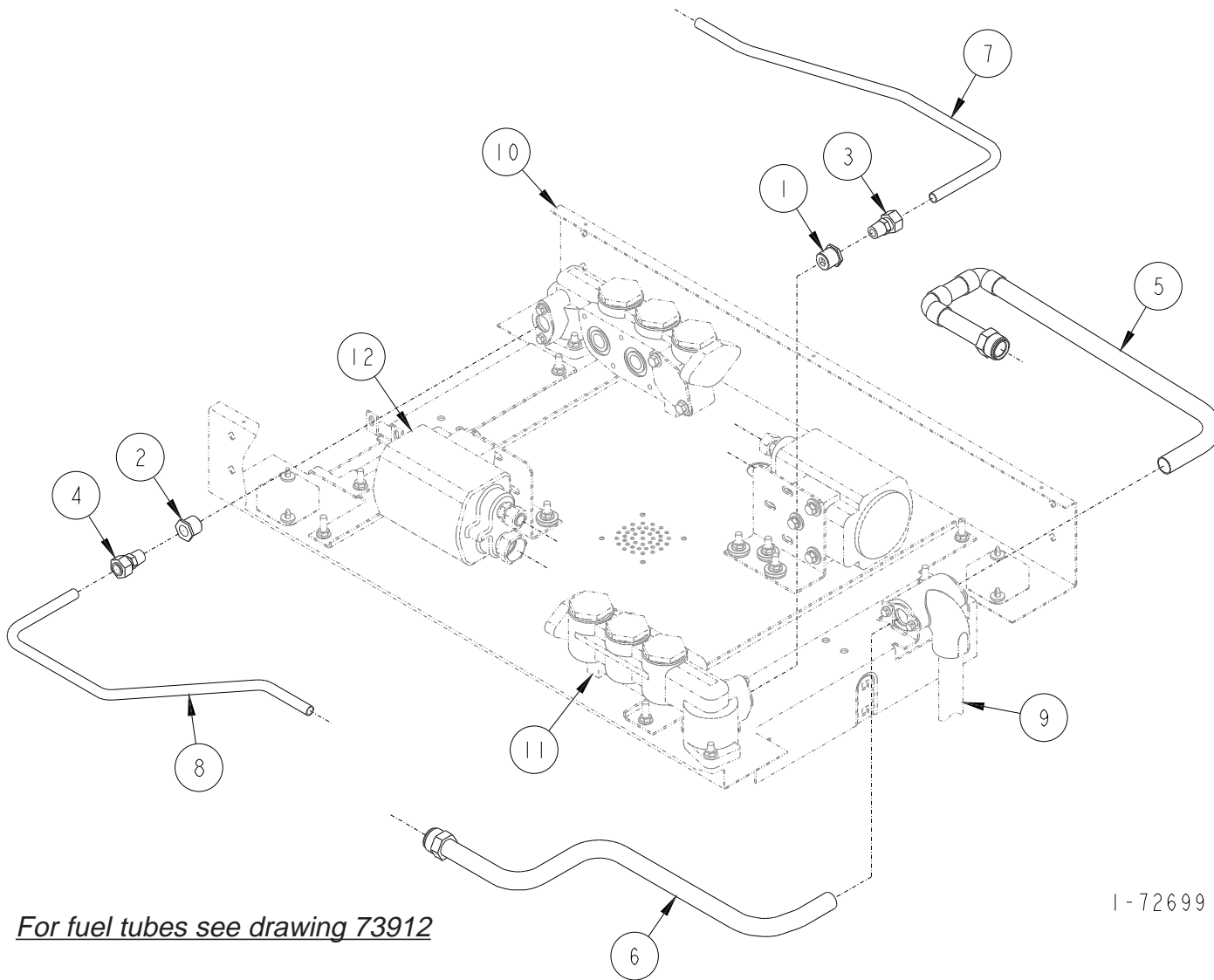
ITEM NO.	PART NO.	DESCRIPTION
1	232319-1	Vapor Tube Assembly (H311B-RB3/5 & H322B-RB3/5 Side "A")
2	1-233592	3/8" NPTF Hex Bushing
3	3-319636	3/8" NPTF Male Connector
4	319680-1	Fuel Tube Assembly (H311B-RB3/5 & H322B-RB3/5 Side "A")
5	319680-1	Fuel Tube Assembly (H322B-RB3/5 Side "B")
6	319756-1	Vapor Tube Assembly (H322B-RB3/5 Side "B")
7	1-320792	Vapor Inlet Tube (H311B-RB3/5 & H322B-RB3/5 Side "A")
8	1-320792	Vapor Inlet Tube (H322B-RB3/5 Side "B")
9		<u>For parts call out of Raceway Assembly see 72218.</u>
10		<u>For parts call out of Check Valve Assembly see 72232.</u>
11		<u>For parts call out of Outlet Adapter Assembly see 72276.</u>
12		<u>For parts call out of Vapor Return Line Assembly see 72277.</u>
13		<u>For parts call out of MaxVac Pump Assembly see 72615.</u>

Reference for Tokheim internal use only:

- 319625 Raceway Assembly
- 319635 Trim Assembly

Tokheim Corporation  
3-99

MAXVAC SYSTEM (24" WIDE RACEWAY)  
(H311B-RB3MV & H322B-RB3MV)  
(2nd Design See Serial Break List 71144)



*For fuel tubes see drawing 73912*

1-72699

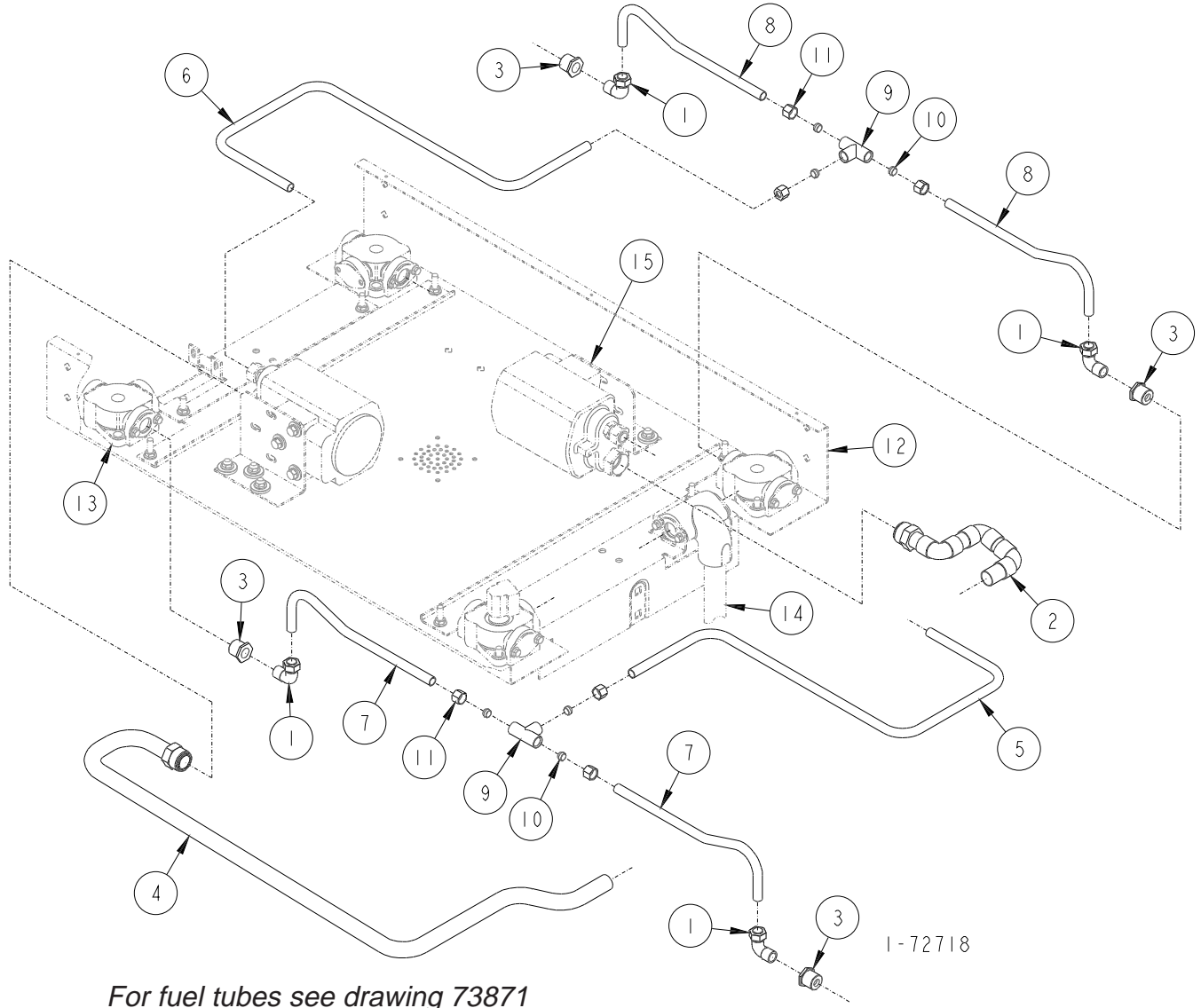
**MAXVAC SYSTEM (24" Wide Raceway)**  
**(H311B-RB3MV & H322B-RB3MV)**  
**(2nd Design See Serial Break List 71144)**

ITEM NO.	PART NO.	DESCRIPTION
1	1-233592	3/8" NPTF Hex Bushing
2	3-319636	3/8" NPTF Male Connector
3	319660-1	Vapor Tube Assembly (H322B-RMV Side "B")
4	319800-1	Vapor Tube Assembly (H311B-RMV & H322B-RMV Side "A")
5	1-320796	Vapor Inlet Tube (H311B-RMV & H322B-RMV Side "A")
6	3-320796	Vapor Inlet Tube (H322B-RMV Side "B")
7	<u>For parts call out of Vapor Return Line Assembly see:</u>	
	72277	1st Design
	72282	2nd Design
8	<u>For parts call out of Raceway Assembly see 72218.</u>	
9	<u>For parts call out of Check Valve Assembly see: 72283.</u>	
10	<u>For parts call out of MaxVac Pump Assembly see 72714.</u>	

Reference for Tokheim internal use only:

319811 Raceway Assembly

MAXVAC SYSTEM (24" WIDE RACEWAY)  
(H312B-RMV & H324B-RMV)  
(1st Design See Serial Break List 71144)



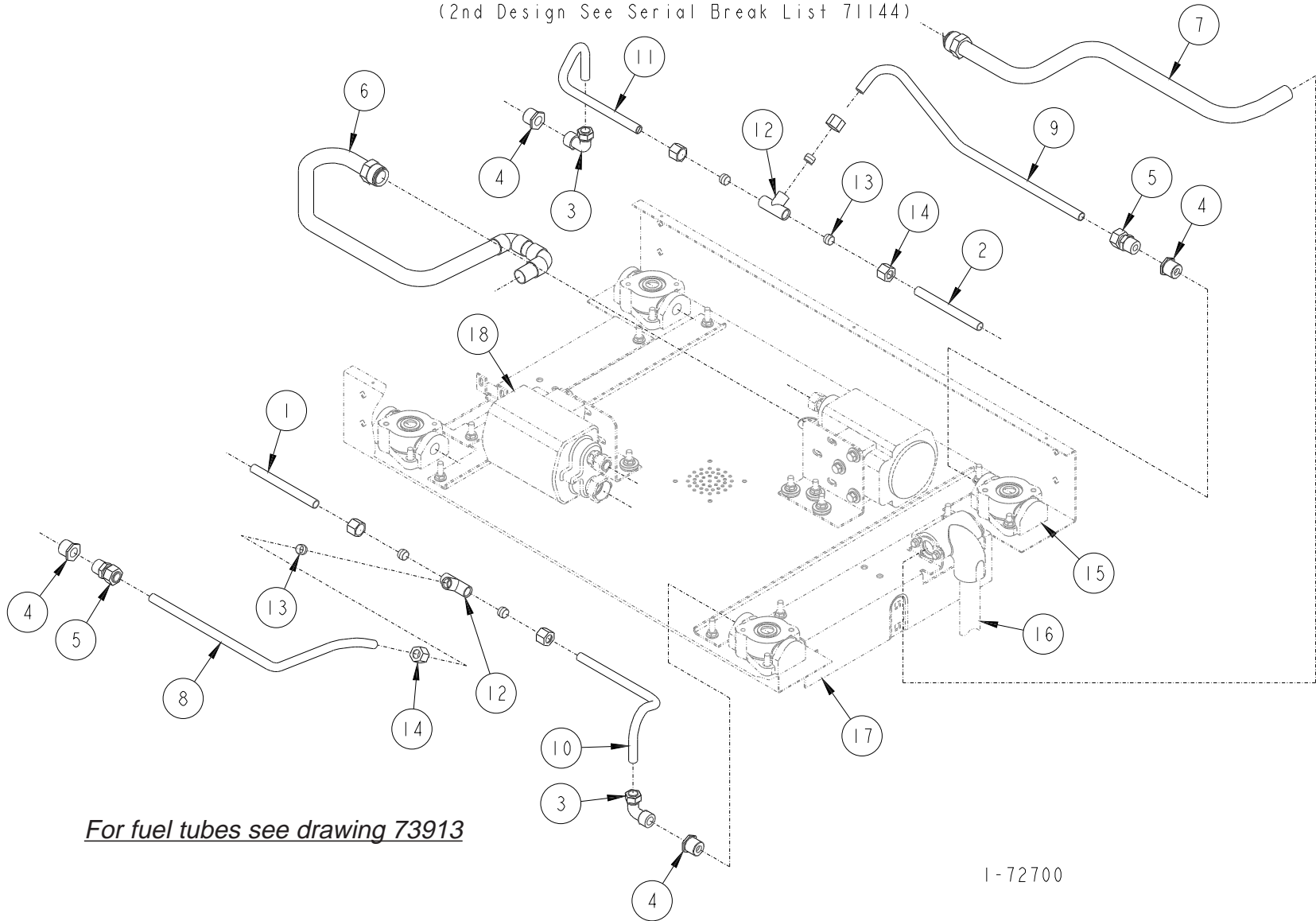
*For fuel tubes see drawing 73871*

1-72718

**MAXVAC SYSTEM (24" Wide Raceway)**  
**(H312B-RMV & H324B-RMV)**  
**(1st Design See Serial Break List 71144)**

ITEM NO.	PART NO.	DESCRIPTION
1	3-232281	3/8" NPTF Hex Bushing
2	232319-1	Vapor Tube Assembly (H312B-RMV & H324B-RMV Side "A")
3	1-233592	3/8" NPTF Hex Bushing
4	319756-1	Vapor Tube Assembly (H324B-RMV Side "B")
5	1-320793	Vapor Inlet Tube (H312B-RMV & H324B-RMV Side "A")
6	1-320793	Vapor Inlet Tube (H324B-RMV Side "B")
7	1-320797	Vapor Inlet Tube (H312B-RMV & H324B-RMV Side "A")
8	1-320797	Vapor Inlet Tube H324B-RMV Side "B")
9	07-52030	Compression Tee
10	07-52040	Compression Sleeve
11	16-52040	Compression Nut
12		<u>For parts call out of Raceway Assembly see 72218.</u>
13		<u>For parts call out of Outlet Adapter Assembly see 72276</u>
14		<u>For parts call out of Vapor Return Line Assembly see 72277</u>
15		<u>For parts call out of MaxVac Pump Assembly see 72714.</u>
		<u>Reference for Tokheim internal use only:</u>
	319625	Raceway Assembly

MAXVAC SYSTEM (24" WIDE RACEWAY)  
(H312B-RMV & H324B-RMV)  
(2nd Design See Serial Break List 71144)



*For fuel tubes see drawing 73913*

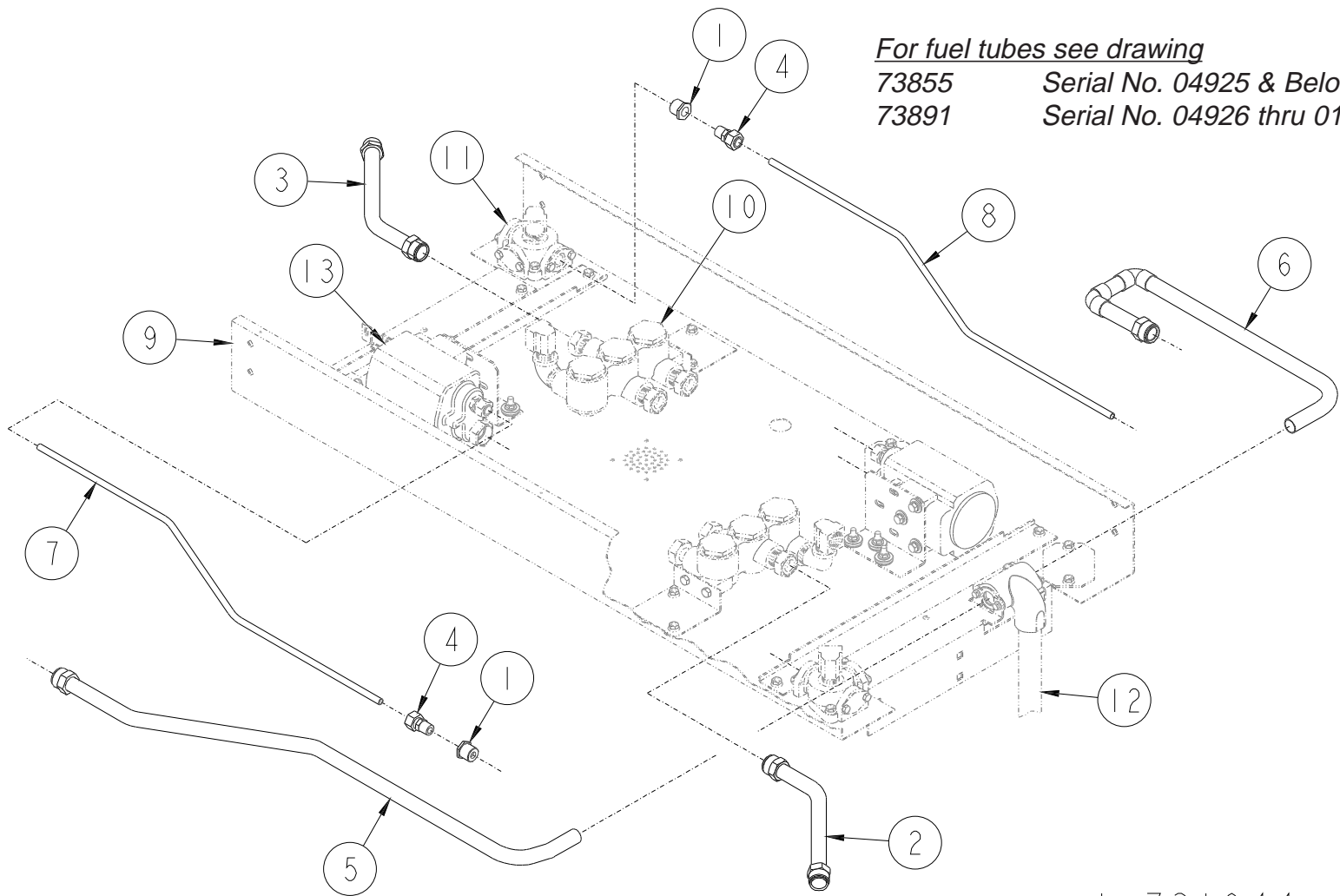
## MAXVAC SYSTEM (24" Wide Raceway) (H312B-RMV & H324B-RMV)

(2nd Design See Serial Breal List 71144)

ITEM NO.	PART NO.	DESCRIPTION	ITEM NO.	PART NO.	DESCRIPTION
1	99-230486	Copper Tube Nipple (H312B-RMV & H324B-RMV Side "B")	10	2-320778	Vapor Inlet Tube (H324B-RMV Side "B")
2	99-230486	Copper Tube Nipple (H324B-RMV Side "B")	11	2-320798	Vapor Inlet Tube (H312B-RMV & H324B-RMV Side "A")
3	<u>Male Elbow</u>		12	07-52030	Compression Tee
	1-232281	1/2" NPTF (MaxVac Production Serial No. 056822 & Above)	13	07-52040	Compression Sleeve
	3-232281	3/8" NPTF (All Interim Vapor, MaxVac Kits & MaxVac Production Serial No. 056821 & Below)	14	16-52040	Compression Nut
4	1-233592	3/8" NPTF Hex Bushing	15	<u>For parts call out of Outlet Adapter Assembly see:</u>	
				72276	1st Design
				72280	2nd Design
5	<u>Male Connector</u>		16	<u>For parts call out of Vapor Return Line Assembly see:</u>	
	3-319636	3/8" NPTF (All Interim Vapor, MaxVac Kits & MaxVac Production Serial No. 056821 & Below)		72277	1st Design
	4-319636	1/2" NPTF (MaxVac Production Serial No. 056822 & Above)		72282	2nd Design
6	319655-1	Vapor Tube Assembly (H324B-RMV Side "B")	17	<u>For parts call out of Raceway Assembly see 72218.</u>	
7	319800-1	Vapor Tube Assembly (H312B-RMV & H324B-RMV Side "A")	18	<u>For parts call out of MaxVac Pump Assembly see 72714.</u>	
8	1-320778	Vapor Inlet Tube (H324B-RMV Side "B")		<u>Reference for Tokheim internal use only:</u>	
9	1-320798	Vapor Inlet Tube (H312B-RMV & H324B-RMV Side "A")		319811	Raceway Assembly

MAXVAC SYSTEM (24" Wide Raceway)  
 (H411B-RMV & H422B-RMV)  
 (H411B-REBMV & H422B-REBMV)  
 (1st Design See Serial Break List 71144)

*For fuel tubes see drawing*  
 73855      Serial No. 04925 & Below  
 73891      Serial No. 04926 thru 011868



1-731044

**MAXVAC SYSTEM (24" Wide Raceway)**  
**(H411B-RMV & H422B-RMV)**  
**(H411B-REBMV & H422B-REBMV)**  
**(1st Design See Serial Break List 71144)**

PREMIER Parts Manual • H Models  
Form 4814A, Version 4.0 January 1999

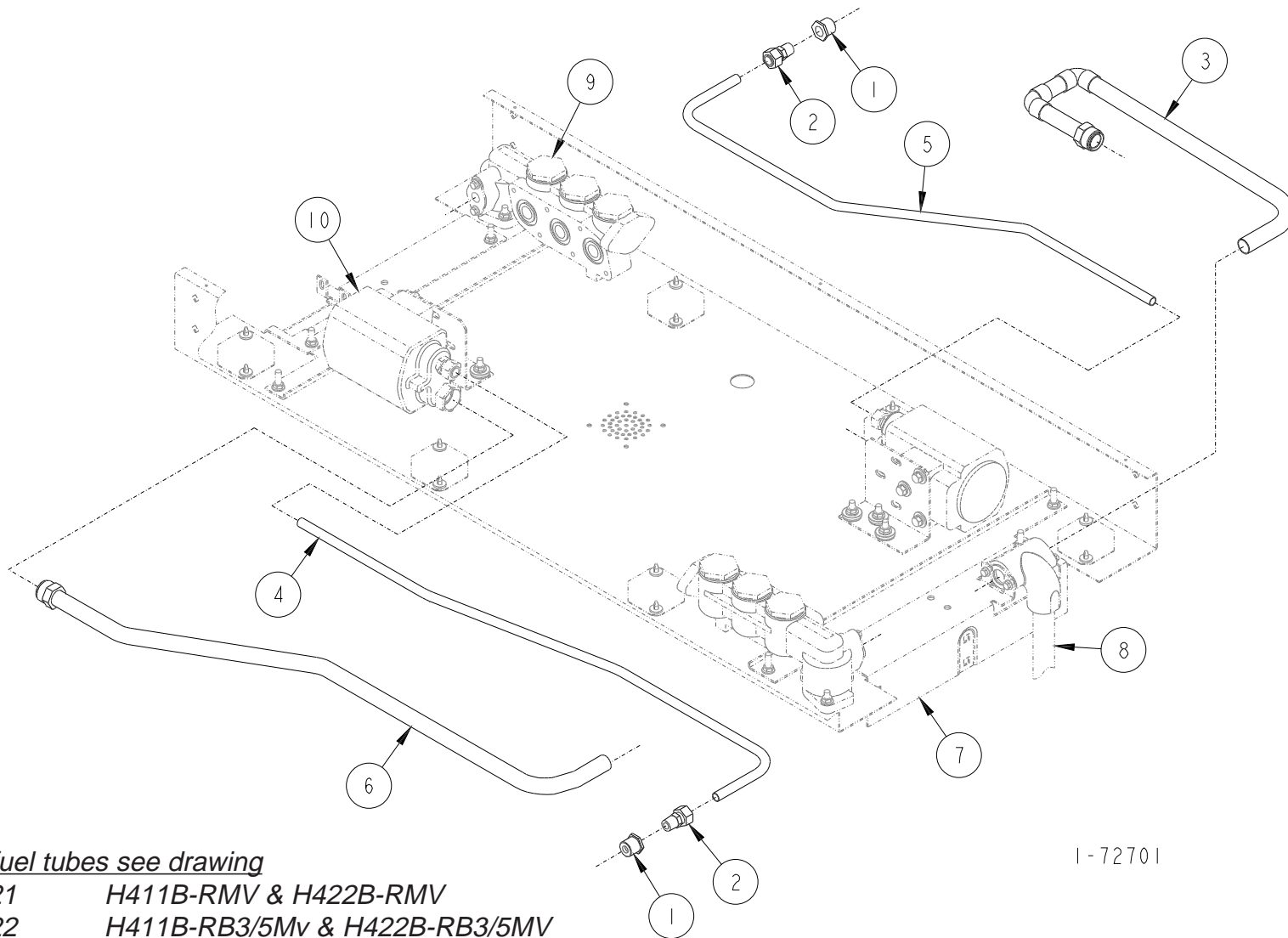
ITEM NO.	PART NO.	DESCRIPTION
1	1-233592	3/8" NPTF Hex Bushing
2	319421-1	Outlet Tube Assembly (H411B-R/REBMV & H422B-R/REBMV Side "A")
3	319421-1	Outlet Tube Assembly (H422B-R/REBMV Side "B")
4	3-319636	3/8" NPTF Male Connector
5	319653-1	Vapor Outlet Tube Assembly (H411B-R/REBMV & H422B-R/REBMV Side "A")
6	319660-1	Vapor Outlet Tube Assembly (H422B-R/REBMV Side "B")
7	1-320788	Vapor Inlet Tube (H411B-R/REBMV & H422B-R/REBMV Side "A")
8	1-320788	Vapor Inlet Tube (H422B-R/REBMV Side "B")
9		<u>For parts call out of Raceway Assembly see 72218.</u>
10		<u>For parts call out of Check Valve Assembly see 72232.</u>
11		<u>For parts call out of Outlet Adapter Assembly see 72276.</u>
12		<u>For parts call out of Vapor Return Line Assembly see: 72277.</u>
13		<u>For parts call out of MaxVac Pump Assembly see: 72714.</u>

Reference for Tokheim internal use only:

319396 Raceway Assembly

Tokheim Corporation  
3-107

MAXVAC SYSTEM (24" WIDE RACEWAY)  
(H411B-RMV & H422B-RMV)  
(H411B-RB3/5MV & H422B-RB3/5MV)  
(2nd Design See Serial Break List 71144)



*For fuel tubes see drawing*

- |       |                               |
|-------|-------------------------------|
| 73921 | H411B-RMV & H422B-RMV         |
| 73922 | H411B-RB3/5MV & H422B-RB3/5MV |

1-72701

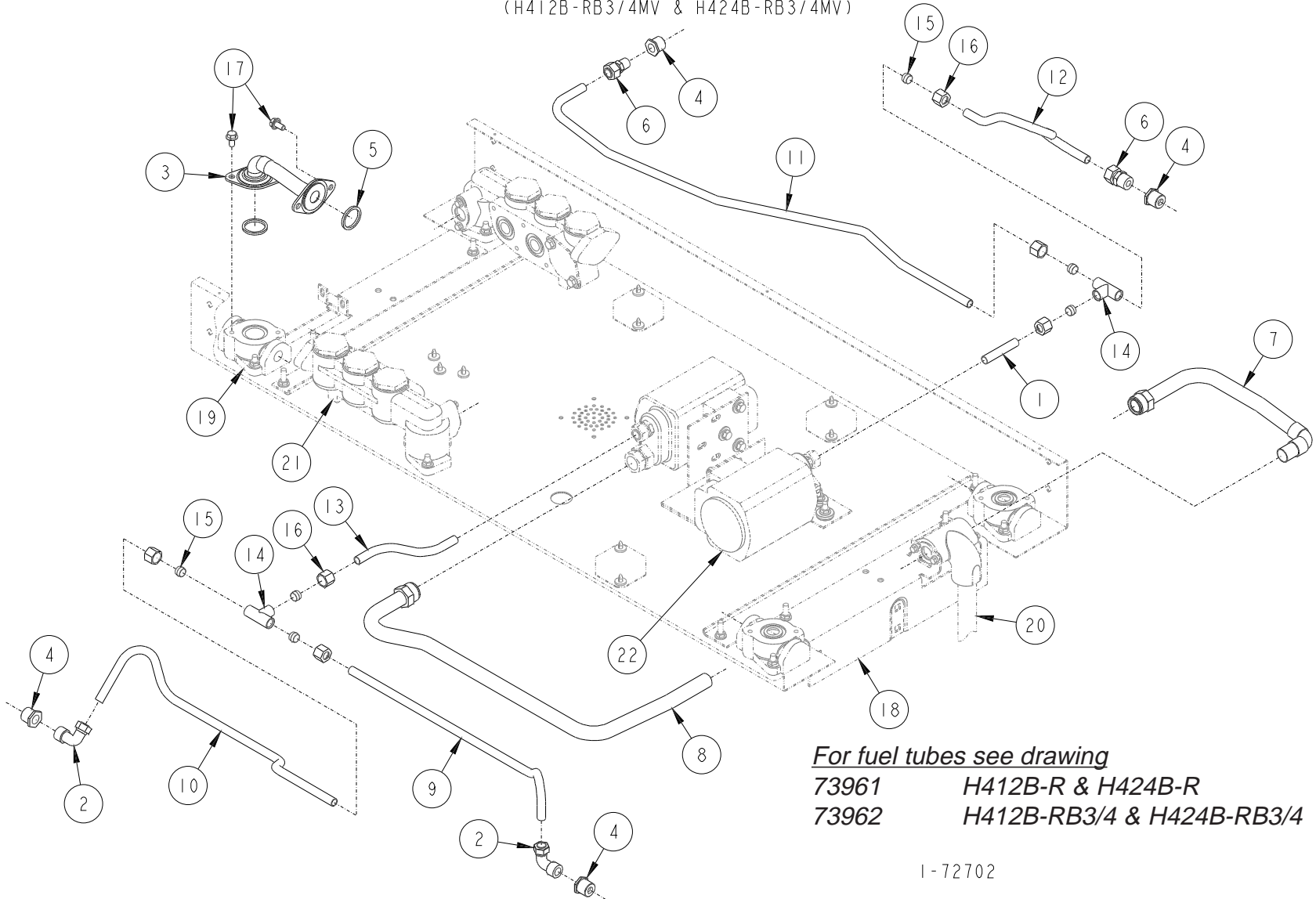
**MAXVAC SYSTEM (24" Wide Raceway)**  
**(H411B-RMV & H422B-RMV)**  
**(H411B-RB3/5MV & H422B-RB3/5MV)**  
**(2nd Design See Serial Break List 71144)**

ITEM NO.	PART NO.	DESCRIPTION
1	1-233592	3/8" NPTF Hex Bushing
2	3-319636	3/8" NPTF Male Connector
3	319660-1	Vapor Outlet Tube Assembly (H422B-RMV Side "B" & H422B-RB3/5MV Side "B")
4	1-320784	Vapor Inlet Tube (H411B-RMV, H411B-RB3/5MV, H422B-RMV Side "A" & H422B-RB3/5MV Side "A")
5	1-320784	Vapor Inlet Tube (H422B-RMV Side "B" & H422B-RB3/5MV Side "B")
6	421829-1	Vapor Outlet Tube Assembly (H411B-RMV, H411B-RB3/5MV, H422B-RMV Side "A" & H422B-RB3/5MV Side "A")
7		<u>For parts call out of Raceway Assembly see 72218.</u>
8		<u>For parts call out of Vapor Return Line Assembly see: 72282.</u>
9		<u>For parts call out of Check Valve Assembly see: 72283.</u>
10		<u>For parts call out of MaxVac Pump Assembly see: 72714.</u>

Reference for Tokheim internal use only:

319742 Raceway Assembly

MAXVAC SYSTEM (24" WIDE RACEWAY)  
(H412B-RMV & H424B-RMV)  
(H412B-RB3/4MV & H424B-RB3/4MV)



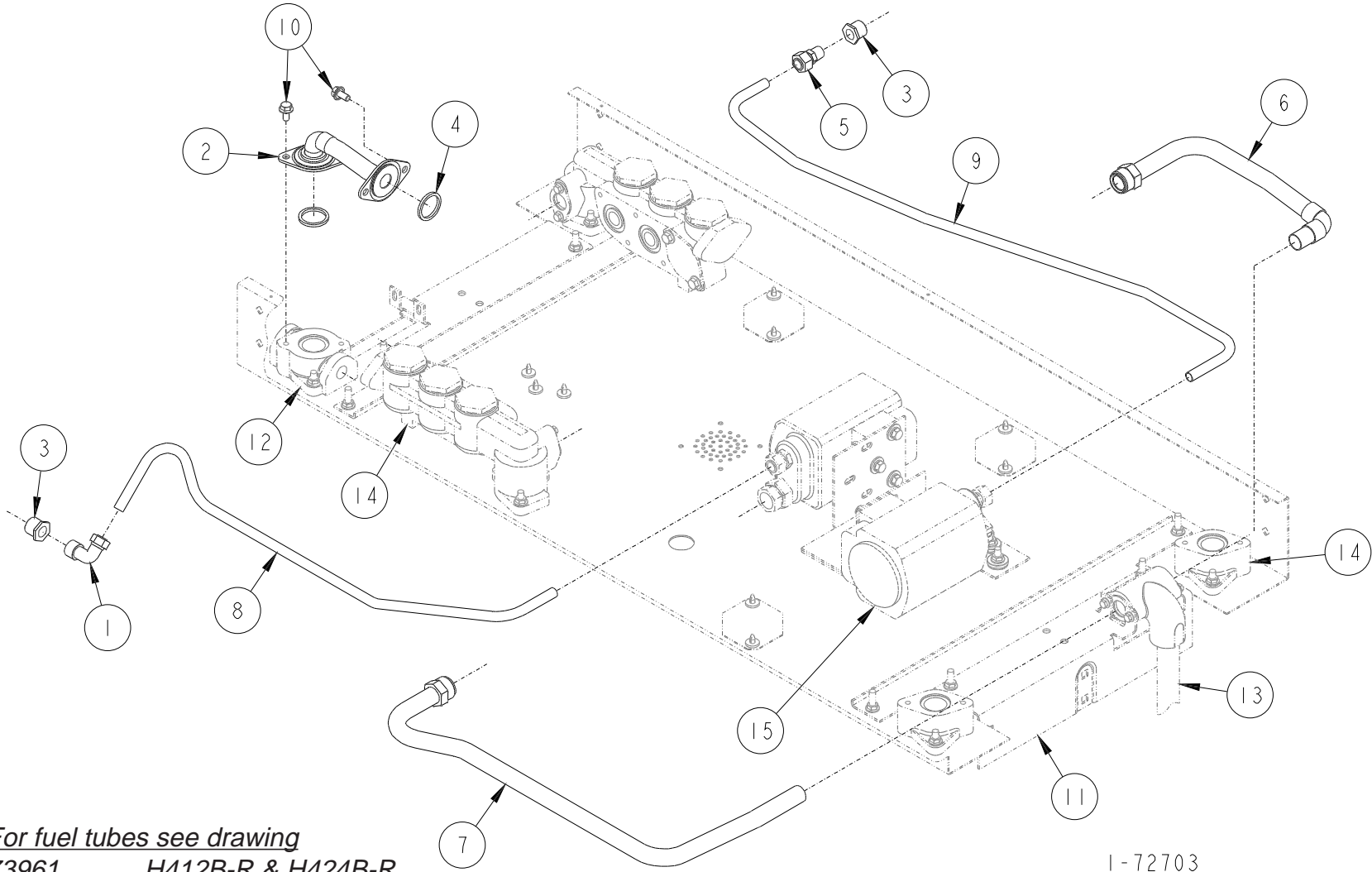
*For fuel tubes see drawing*  
73961 H412B-R & H424B-R  
73962 H412B-RB3/4 & H424B-RB3/4

1-72702

**MAXVAC SYSTEM (24" Wide Raceway)**  
**(H412B-RMV & H424B-RMV)**  
**(H412B-RB3/4MV & H424B-RB3/4MV)**

ITEM NO.	PART NO.	DESCRIPTION	ITEM NO.	PART NO.	DESCRIPTION
1	102-230486	Copper Tube Nipple (H424B-RMV Side "B" & H424B-RB3/4MV Side "B")	10	1-320786	Vapor Inlet Tube (H412B-RMV, H412B-RB3/4MV, H424B-RMV Side "A" & H424B-RB3/4MV Side "A")
2	<u>Male Elbow</u>		11	1-320794	Vapor Inlet Tube (H424B-RMV Side "B" & H424B-RB3/4MV Side "B")
	1-232281	1/2" NPTF (MaxVac Production Serial No. 056822 & Above)	12	1-320795	Vapor Inlet Tube (H424B-RMV Side "B" & H424B-RB3/4MV Side "B")
	3-232281	3/8" NPTF (All Interim Vapor, MaxVac Kits & MaxVac Production Serial No. 056821 & Below)	13	1-320845	Vapor Inlet Tube (H412B-RMV, H412B-RB3/4MV, H424B-RMV Side "A" & H424B-RB3/4MV Side "A")
3	232387-1	Jumper Tube Assembly	14	07-52030	Compression Tee
4	1-233592	3/8" NPTF Hex Bushing	15	07-52040	Compression Sleeve
5	13-313235	Gasket	16	16-52040	Compression Nut
6	<u>Male Connector</u>		17	35-55132	5/16-18 x 5/8" Long M-F Flange Whiz Lock Screw
	3-319636	3/8" NPTF (All Interim Vapor, MaxVac Kits & MaxVac Production Serial No. 056821 & Below)	18	<u>For parts call out of Raceway Assembly see 72218.</u>	
	4-319636	1/2" NPTF (MaxVac Production Serial No. 056822 & Above)	19	<u>For parts call out of Outlet Adapter Assembly see 72280.</u>	
7	319900-1	Vapor Manifold Assembly (H424B-RMV Side "B" & H424B-RB3/4MV Side "B")	20	<u>For parts call out of Vapor Return Line Assembly see 72282.</u>	
8	319923-1	Vapor Manifold Assembly (H412B-RMV, H412B-RB3/4MV, H424B-RMV Side "A" & H424B-RB3/4MV Side "A")	21	<u>For parts call out of Check Valve Assembly see 72283.</u>	
9	1-320780	Vapor Inlet Tube (H412B-RMV, H412B-RB3/4MV, H424B-RMV Side "A" & H424B-RB3/4MV Side "A")	22	<u>For parts call out of MaxVac Pump Assembly see 72714.</u>	
				<u>Reference for Tokheim internal use only:</u>	
			319742	Raceway Assembly	
			319924	Raceway Assembly (Continued)	
			319743	Trim Assembly	

MAXVAC SYSTEM (24" WIDE RACEWAY)  
 (H412B-RMN & H424B-RMN)  
 (H412B-RB3/4MN & H424B-RB3/4MN)



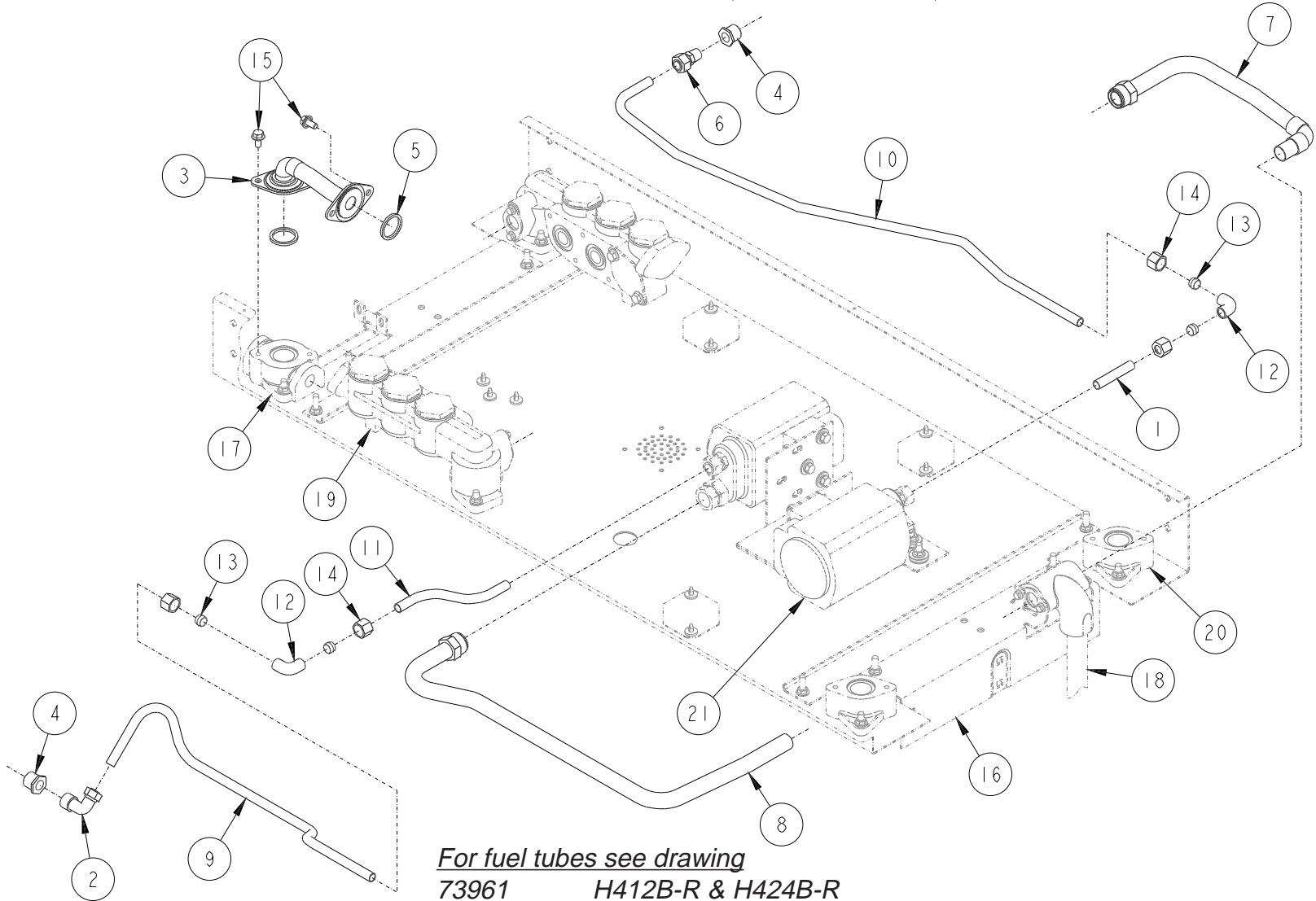
*For fuel tubes see drawing*  
 73961 H412B-R & H424B-R  
 73962 H412B-RB3/4 & H424B-RB3/4

I-72703

**MAXVAC SYSTEM (24" Wide Raceway)**  
**(H412B-RMN & H424B-RMN)**  
**(H412B-RB3/4MN & H424B-RB3/4MN)**

ITEM NO.	PART NO.	DESCRIPTION	ITEM NO.	PART NO.	DESCRIPTION
1	<u>Male Elbow</u> 1-232281	1/2" NPTF (MaxVac Production Serial No. 056822 & Above)	10	35-55132	5/16-18 x 5/8" Long M-F Flange Whiz Lock Screw
	3-232281	3/8" NPTF (All Interim Vapor, MaxVac Kits & MaxVac Production Serial No. 056821 & Below)	11		<u>For parts call out of Raceway Assembly see 72218.</u>
2	232387-1	Jumper Tube Assembly	12		<u>For parts call out of Outlet Adapter Assembly see 72280.</u>
3	1-233592	3/8" NPTF Hex Bushing	13		<u>For parts call out of Vapor Return Line Assembly see 72282.</u>
4	13-313235	Gasket	14		<u>For parts call out of Check Valve Assembly see 72283.</u>
5	3-319636	Male Connector	15		<u>For parts call out of MaxVac Pump Assembly see 72714.</u>
6	319900-1	Vapor Manifold Assembly (H424B-RMV Side "B" & H424B-RB3/4MV Side "B")			<u>Reference for Tokheim internal use only:</u>
7	319923-1	Vapor Manifold Assembly (H412B-RMV, H412B-RB3/4MV, H424B-RMV Side "A" & H424B-RB3/4MV Side "A")	319742		Raceway Assembly
8	1-422575	Vapor Inlet Tube (H412B-RMV, H412B-RB3/4MV, H424B-RMV Side "A" & H424B-RB3/4MV Side "A")	319924		Raceway Assembly (Continued)
9	1-422576	Vapor Inlet Tube (H424B-RMV Side "B" & H424B-RB3/4MV Side "B")	319743		Trim Assembly

MAXVAC SYSTEM (24" WIDE RACEWAY)  
(H412B-RMN & H424B-RMN)  
(H412B-RB3/4MN & H424B-RB3/4MN)



*For fuel tubes see drawing*

73961

H412B-R & H424B-R

73962

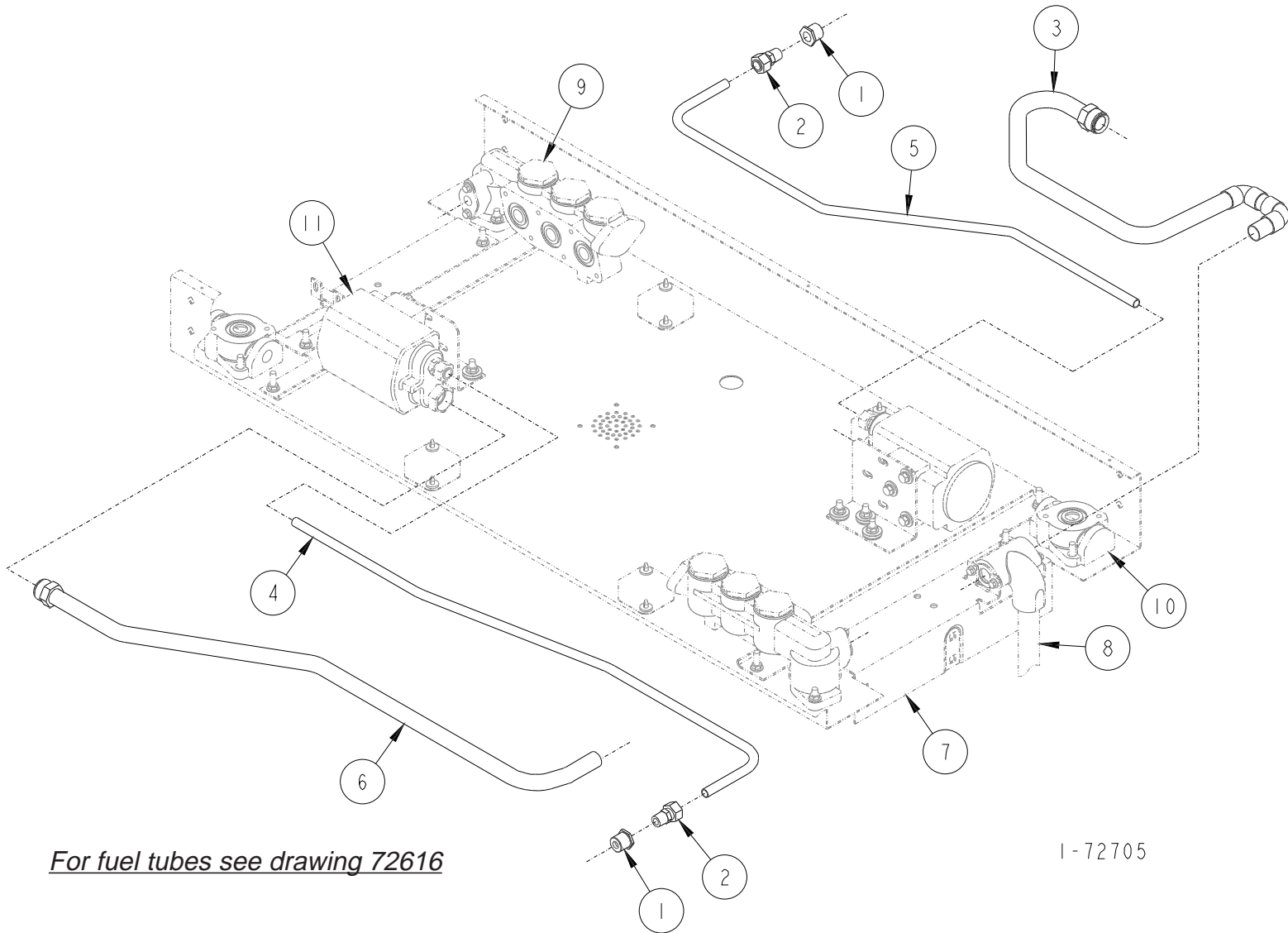
H412B-RB3/4 & H424B-RB3/4

1-72704

**MAXVAC SYSTEM (24" Wide Raceway)**  
**(H412B-RMN & H424B-RMN)**  
**(H412B-RB3/4MN & H424B-RB3/4MN)**

ITEM NO.	PART NO.	DESCRIPTION	ITEM NO.	PART NO.	DESCRIPTION
1	102-230486	Copper Tube Nipple (H424B-RMN Side "B" & H424B-RB3/4MN Side "B")	10	1-320794	Vapor Inlet Tube (H424B-RMN Side "B" & H424B-RB3/4MN Side "B")
2	<u>Male Elbow</u>		11	1-320845	Vapor Inlet Tube (H412B-RMN, H412B-RB3/4MN, H424B-RMN Side "A" & H424B-RB3/4MN Side "A")
	1-232281	1/2" NPTF (MaxVac Production Serial No. 056822 & Above)	12	06-52020	Compression Elbow
	3-232281	3/8" NPTF (All Interim Vapor, MaxVac Kits & MaxVac Production Serial No. 056821 & Below)	13	07-52040	Compression Sleeve
3	232387-1	Jumper Tube Assembly	14	16-52040	Compression Nut
4	1-233592	3/8" NPTF Hex Bushing	15	35-55132	5/16-18 x 5/8" Long M-F Flange Whiz Lock Screw
5	13-313235	Gasket	16		<u>For parts call out of Raceway Assembly see 72218.</u>
6	3-319636	3/8" NPTF Male Connector	17		<u>For parts call out of Outlet Adapter Assembly see 72280.</u>
7	319900-1	Vapor Manifold Assembly (H424B-RMN Side "B" & H424B-RB3/4MN Side "B")	18		<u>For parts call out of Vapor Return Line Assembly see 72282.</u>
8	319923-1	Vapor Manifold Assembly (H412B-RMN, H412B-RB3/4MN, H424B-RMN Side "A" & H424B-RB3/4MN Side "A")	19		<u>For parts call out of Check Valve Assembly see 72283.</u>
9	1-320786	Vapor Inlet Tube (H412B-RMN, H412B-RB3/4MN, H424B-RMN Side "A" & H424B-RB3/4MN Side "A")	20		<u>For parts call out of Non Vapor Outlet Adapter Assembly see 72615.</u>
			21		<u>For parts call out of MaxVac Pump Assembly see 72714.</u>
					<u>Reference for Tokheim internal use only:</u>
				319742	Raceway Assembly
				319924	Raceway Assembly (Continued)
				319743	Trim Assembly

MAXVAC SYSTEM (24" WIDE RACEWAY)  
(H424B-RB3-TRMV & H424B-RB3-TRMN)

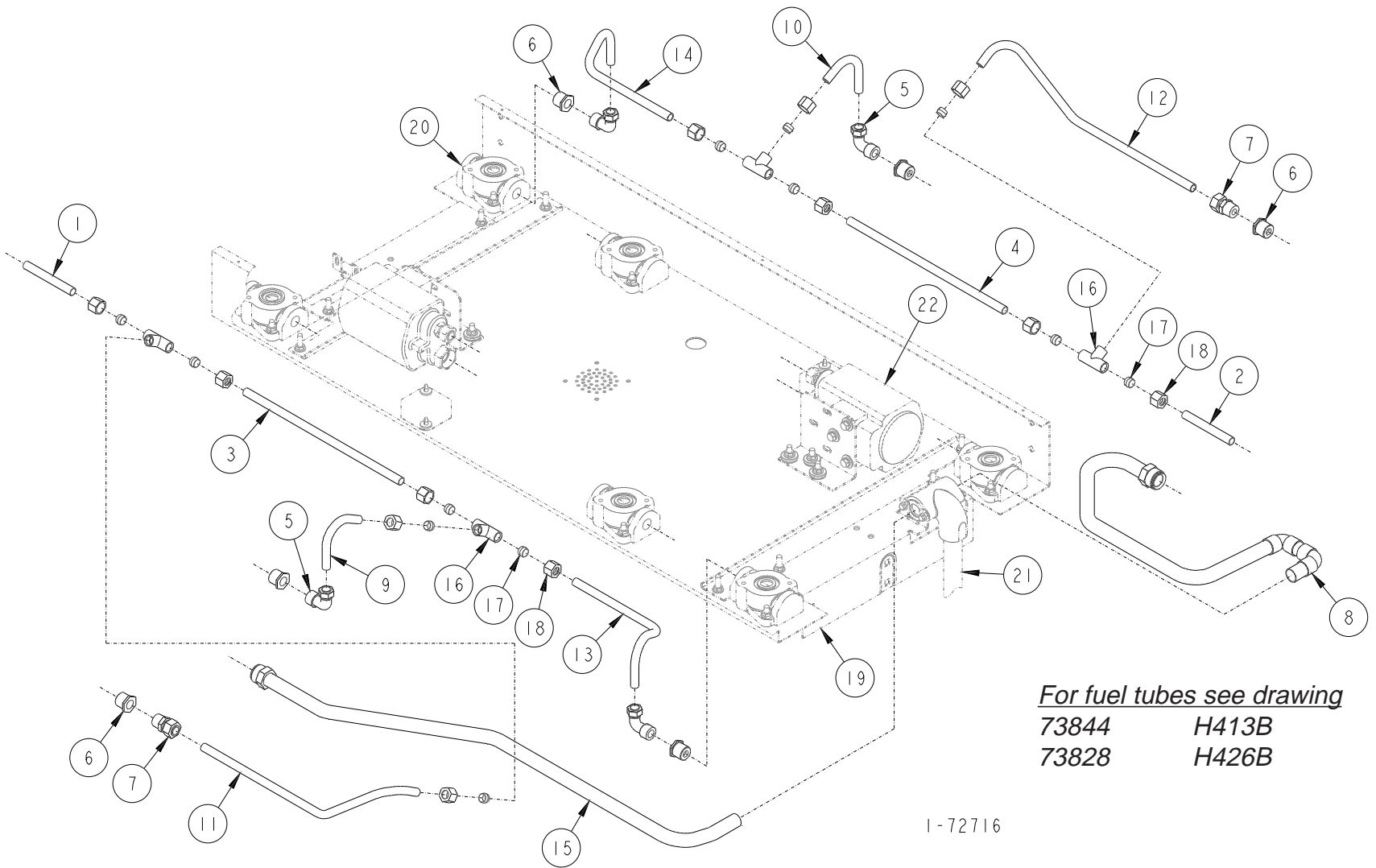


## MAXVAC SYSTEM (24" Wide Raceway)

### (H424B-RB3-TRN & H424B-RB3-TRMN)

ITEM NO.	PART NO.	DESCRIPTION
1	1-233592	3/8" NPTF Hex Bushing
2	3-319636	Male Connector
3	319655-1	Vapor Tube Assembly (Side "B")
4	1-320784	Vapor Inlet Tube (Side "A")
5	1-320784	Vapor Inlet Tube (Side "B")
6	421829-1	Vapor Outlet Tube Assembly (Side "A")
7	<u>For parts call out of Raceway Assembly see 72218.</u>	
8	<u>For parts call out of Vapor Return Line Assembly see 72282.</u>	
9	<u>For parts call out of Check Valve Assembly see 72283.</u>	
10	<u>For parts call out of Outlet Adapter Assembly see:</u>	
	72280	Vapor Recovery
	72615	Non Vapor Recovery
11	<u>For parts call out of MaxVac Pump Assembly see 72714.</u>	
	<u>Reference for Tokheim internal use only:</u>	
	319742	Raceway Assembly
	319924	Raceway Assembly (Continued)
	319743	Trim Assembly

MAXVAC SYSTEM (24" WIDE RACEWAY)  
 (H413B-RMV & H426-RMV)  
 (1st Design See Serial Break List 71144)



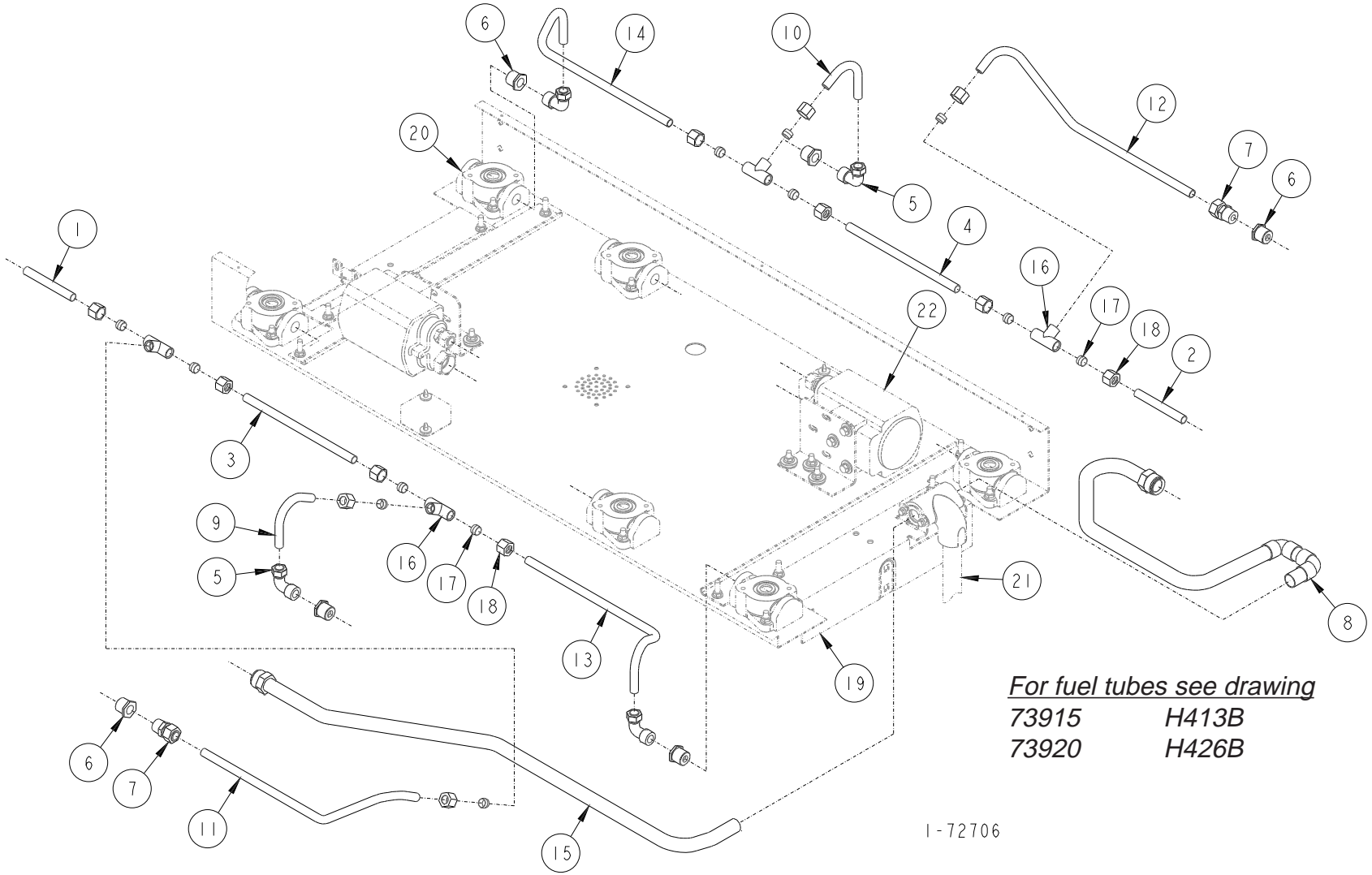
*For fuel tubes see drawing*  
 73844      H413B  
 73828      H426B

1-72716

**MAXVAC SYSTEM (24" Wide Raceway)**  
**(H413B-RMV & H426B-RMV)**  
**(1st Design See Serial Break List 71144)**

ITEM NO.	PART NO.	DESCRIPTION	ITEM NO.	PART NO.	DESCRIPTION
1	99-230486	Copper Tube Nipple (H413B-RMV & H426B-RMV Side "A")	18	16-52040	Compression Nut
2	99-230486	Copper Tube Nipple (H426B-RMV Side "B")	19		<u>For parts call out of Raceway Assembly see 72218.</u>
3	106-230486	Copper Tube Nipple (H413B-RMV & H426B-RMV Side "A")	20		<u>For parts call out of Outlet Adapter Assembly see 72276.</u>
4	106-230486	Copper Tube Nipple (H426B-RMV Side "B")	21		<u>For parts call out of Vapor Return Line Assembly see 72277.</u>
5	3-232281	3/8" NPTF Male Elbow	22		<u>For parts call out of MaxVac Pump Assembly see 72714.</u>
6	1-233592	3/8" NPTF Hex Bushing			<u>Reference for Tokheim internal use only:</u>
7	3-319636	3/8" Male Connector	319395		Trim Assembly
8	319655-1	Vapor Outlet Tube Assembly (H426B-RMV Side "B")	319396		Raceway Assembly
9	1-320777	Vapor Inlet Tube (H413B-RMV & H426B-RMV Side "A")			
10	1-320777	Vapor Inlet Tube (H426B-RMV Side "B")			
11	1-321033	Vapor Inlet Tube (H413B-RMV & H426B-RMV Side "A")			
12	1-321033	Vapor Inlet Tube (H426B-RMV Side "B")			
13	5-320798	Vapor Inlet Tube (H413B-RMV & H426B-RMV Side "A")			
14	5-320798	Vapor Inlet Tube (H426B-RMV Side "B")			
15	421829-1	Vapor Outlet Tube Assembly (H413B-RMV & H426B-RMV Side "A")			
16	07-52030	Compression Tee			
17	07-52040	Compression Sleeve			

MAXVAC SYSTEM (24" WIDE RACEWAY)  
 (H413B-RMV & H426-RMV)  
 (2nd Design See Serial Break List 71144)



*For fuel tubes see drawing*

73915      H413B

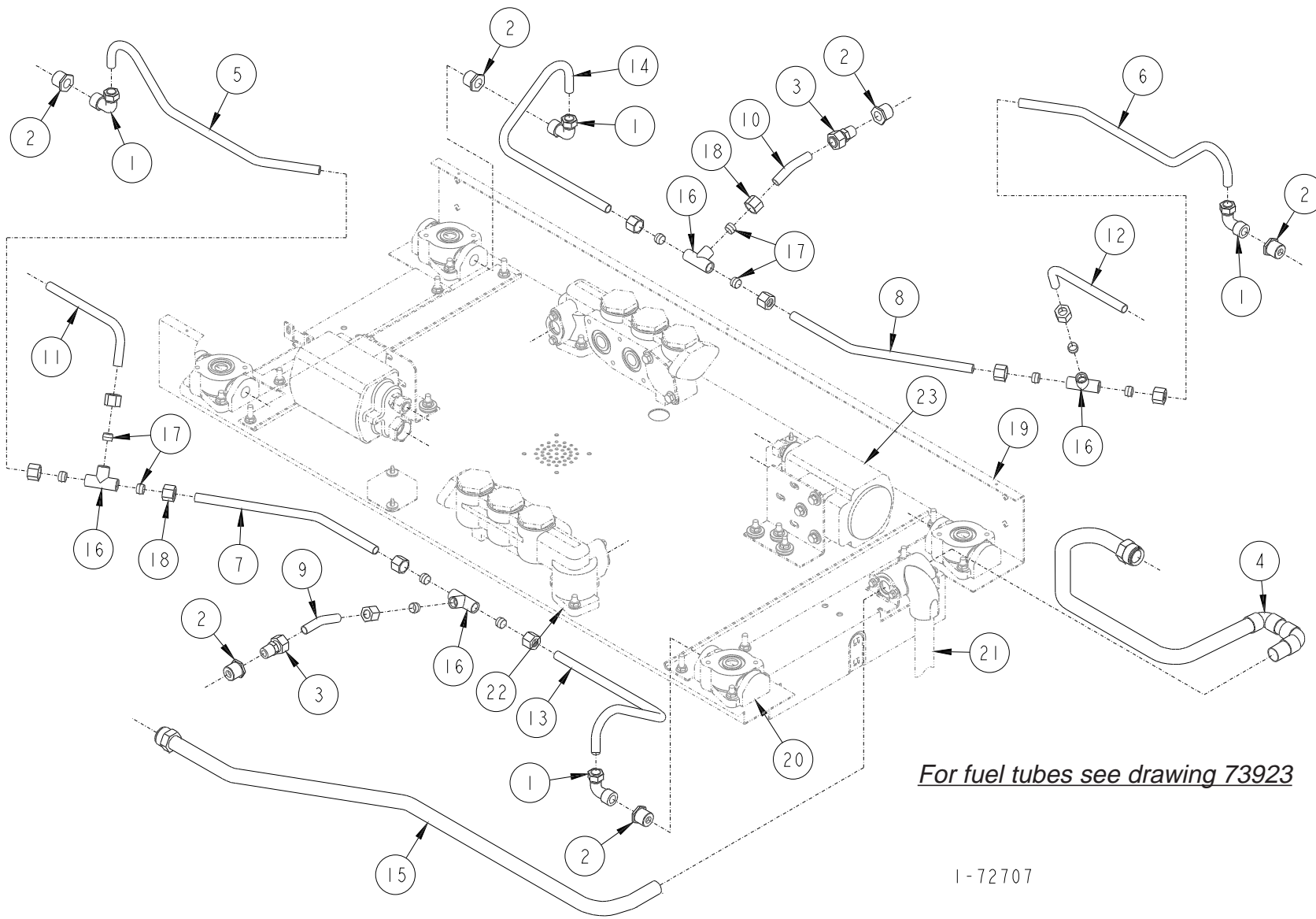
73920      H426B

1-72706

**MAXVAC SYSTEM (24" Wide Raceway)**  
**(H413B-RMV & H426B-RMV)**  
**(2nd Design See Serial Break List 71144)**

ITEM NO.	PART NO.	DESCRIPTION	ITEM NO.	PART NO.	DESCRIPTION
1	99-230486	Copper Tube Nipple (H413B-RMV & H426B-RMV Side "A")	9	1-320777	Vapor Inlet Tube (H413B-RMV & H426B-RMV Side "A")
2	99-230486	Copper Tube Nipple (H426B-RMV Side "B")	10	1-320777	Vapor Inlet Tube (H426B-RMV Side "B")
3	101-230486	Copper Tube Nipple (H413B-RMV & H426B-RMV Side "A")	11	1-320778	Vapor Inlet Tube (H413B-RMV & H426B-RMV Side "A")
4	101-230486	Copper Tube Nipple (H426B-RMV Side "B")	12	1-320778	Vapor Inlet Tube (H426B-RMV Side "B")
5	<u>Male Elbow</u>		13	1-320798	Vapor Inlet Tube (H413B-RMV & H426B-RMV Side "A")
	1-232281	1/2" NPTF (MaxVac Production Serial No. 056821 & Above)	14	1-320798	Vapor Inlet Tube (H426B-RMV Side "B")
	3-232281	3/8" NPTF (All Interim Vapor, MaxVac Kits & MaxVac Production Serial No. 056821 & Below)	15	421829-1	Vapor Outlet Tube Assembly (H413B-RMV & H426B-RMV Side "A")
6	1-233592	3/8" NPTF Hex Bushing	16	07-52030	Compression Tee
7	<u>Male Connector</u>		17	07-52040	Compression Sleeve
	3-319636	3/8" NPTF (All Interim Vapor, MaxVac Kits & MaxVac Production Serial No. 056821 & Below)	18	16-52040	Compression Nut
	4-319636	1/2" NPTF (MaxVac Production Serial No. 056822 & Above)	19	<u>For parts call out of Raceway Assembly see 72218.</u>	
8	319655-1	Vapor Outlet Tube Assembly (H426B-RMV Side "B")	20	<u>For parts call out of Outlet Adapter Assembly see 72280.</u>	
			21	<u>For parts call out of Vapor Return Line Assembly see 72282.</u>	
			22	<u>For parts call out of MaxVac Pump Assembly see 72714.</u>	
				<u>Reference for Tokheim internal use only:</u>	
			319742	Raceway Assembly	
			319924	Raceway Assembly (Continued)	
			319743	Trim Assembly	

MAXVAC SYSTEM (24" WIDE RACEWAY)  
(H413B-REBMV & H426B-REBMV)



*For fuel tubes see drawing 73923*

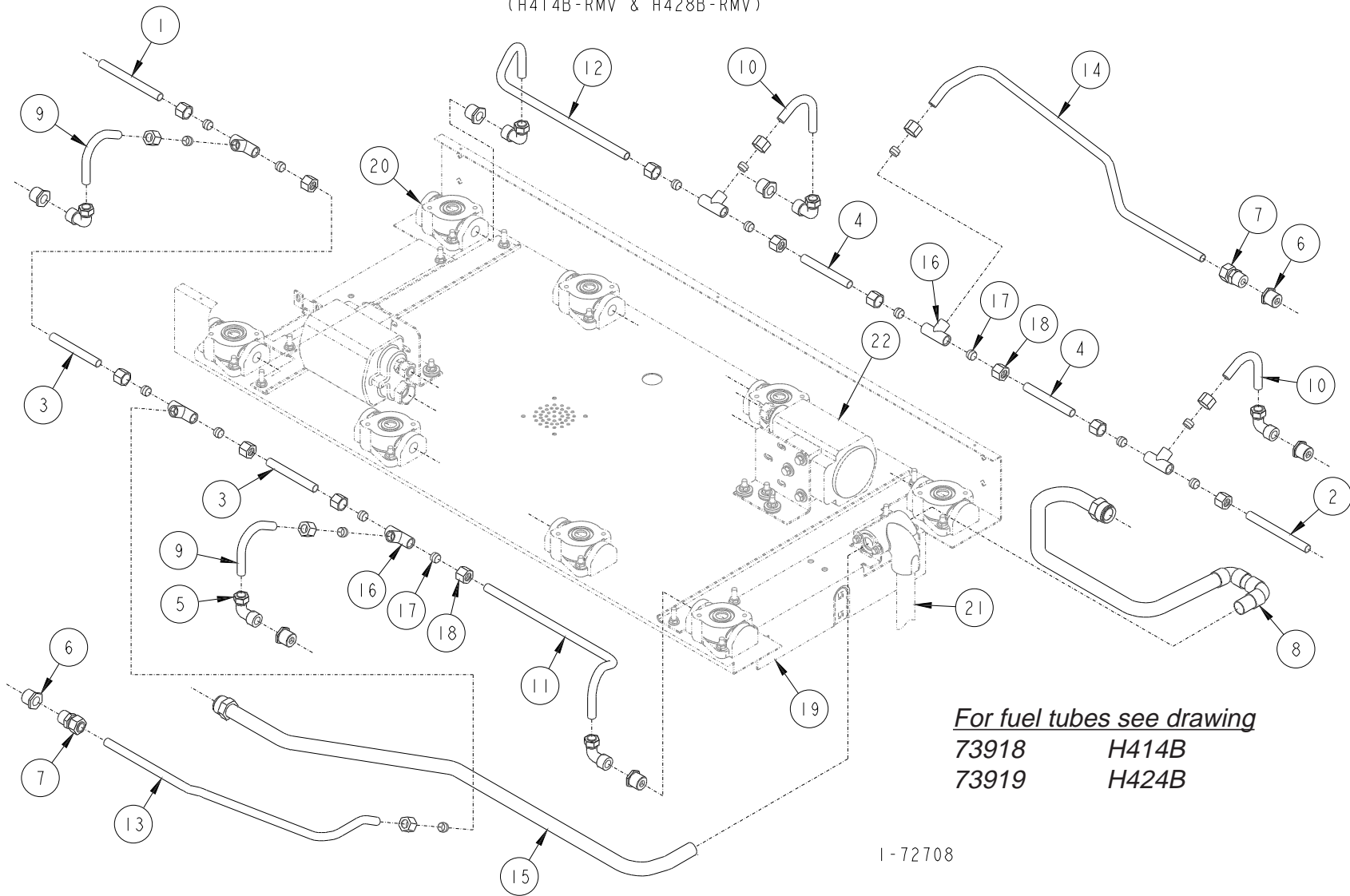
1-72707

## MAXVAC SYSTEM (24" Wide Raceway)

### (H413B-REBMV & H426B-REBMV)

ITEM NO.	PART NO.	DESCRIPTION	ITEM NO.	PART NO.	DESCRIPTION
1	<u>Male Elbow</u>		13	1-320826	Vapor Inlet Tube (H413B-REBMV & H426B-REBMV Side "A")
	1-232281	1/2" NPTF (MaxVac Production Serial No. 056822 & Above)	14	1-320826	Vapor Inlet Tube (H426B-REBMV Side "B")
	3-232281	3/8" NPTF (All Interim Vapor, MaxVac Kits & MaxVac Production Serial No. 056821 & Below)	15	421829-1	Vapor Outlet Tube Assembly (H413B-REBMV & H426B-REBMV Side "A")
2	1-233592	3/8" NPTF Hex Bushing	16	07-52030	Compression Tee
3	3-319636	Male Connector	17	07-52040	Compression Sleeve
4	319655-1	Vapor Outlet Tube Assembly (H426B-REBMV Side "B")	18	16-52040	Compression Nut
5	1-320779	Vapor Inlet Tube (H413B-REBMV & H426B-REBMV Side "A")	19		<u>For parts call out of Raceway Assembly see 72218.</u>
6	1-320779	Vapor Inlet Tube (H426B-REBMV Side "B")	20		<u>For parts call out of Outlet Adapter Assembly see 72280.</u>
7	1-320781	Vapor Inlet Tube (H413B-REBMV & H426B-REBMV Side "A")	21		<u>For parts call out of Vapor Return Line Assembly see 72282.</u>
8	1-320781	Vapor Inlet Tube (H426B-REBMV Side "B")	22		<u>For parts call out of Check Valve Assembly see 72283.</u>
9	1-320782	Vapor Inlet Tube (H413B-REBMV & H426B-REBMV Side "A")	23		<u>For parts call out of MaxVac Pump Assembly see 72714.</u>
10	1-320782	Vapor Inlet Tube (H426B-RMV Side "B")			<u>Reference for Tokheim internal use only:</u>
11	1-320783	Vapor Inlet Tube (H413B-REBMV & H426B-REBMV Side "A")		319742	Raceway Assembly
12	1-320783	Vapor Inlet Tube (H426B-REBMV Side "B")		319924	Raceway Assembly (Continued)
				319743	Trim Assembly

MAXVAC SYSTEM (24" WIDE RACEWAY)  
(H414B-RMV & H428B-RMV)



*For fuel tubes see drawing*  
 73918      H414B  
 73919      H424B

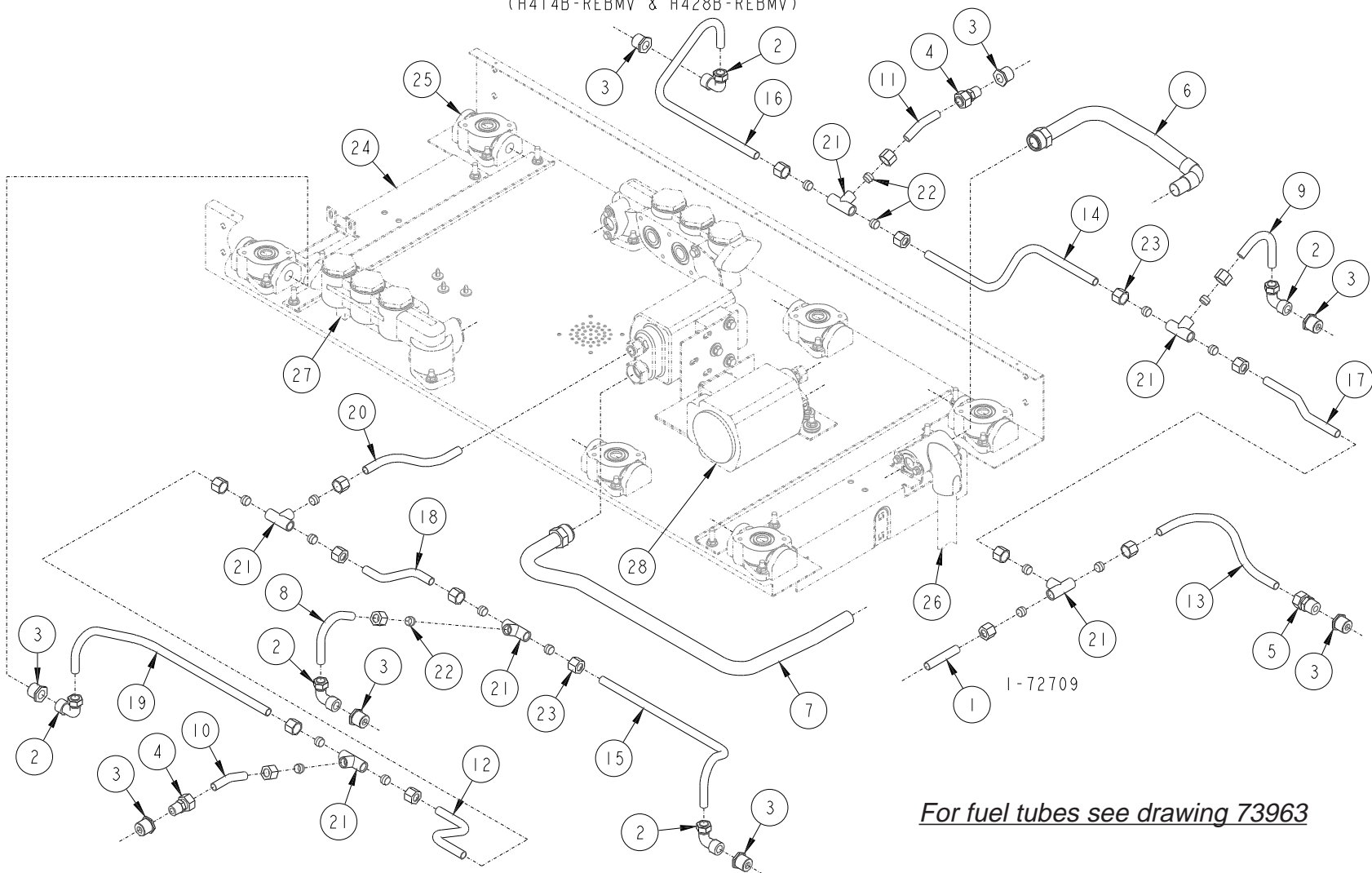
1-72708

## MAXVAC SYSTEM (24" Wide Raceway)

### (H414B-RMV & H428B-RMV)

ITEM NO.	PART NO.	DESCRIPTION	ITEM NO.	PART NO.	DESCRIPTION
1	99-230486	Copper Tube Nipple (H414B-RMV & H428B-RMV Side "A")	10	1-320777	Vapor Inlet Tube (H426B-REBMV Side "B")
2	99-230486	Copper Tube Nipple (H428B-RMV Side "B")	11	1-320798	Vapor Inlet Tube (H413B-REBMV & H426B-REBMV Side "A")
3	100-230486	Copper Tube Nipple (H414B-RMV & H428B-RMV Side "A")	12	1-320798	Vapor Inlet Tube (H426B-REBMV Side "B")
4	100-230486	Copper Tube Nipple (H428B-RMV Side "B")	13	1-320827	Vapor Inlet Tube (H413B-REBMV & H426B-REBMV Side "A")
5	<u>Male Elbow</u>		14	1-320827	Vapor Inlet Tube (H426B-RMV Side "B")
	1-232281	1/2" NPTF (MaxVac Production Serial No. 056822 & Above)	15	421829-1	Vapor Outlet Tube Assembly (H413B-REBMV & H426B-REBMV Side "A")
	3-232281	3/8" NPTF (All Interim Vapor, MaxVac Kits & MaxVac Production Serial No. 056821 & Below)	16	07-52030	Compression Tee
6	1-233592	3/8" NPTF Hex Bushing	17	07-52040	Compression Sleeve
7	<u>Male Connector</u>		18	16-52040	Compression Nut
	3-319636	3/8" NPTF (All Interim Vapor, MaxVac Kits & MaxVac Production Serial No. 056821 & Below)	19	<u>For parts call out of Raceway Assembly see 72218.</u>	
	4-319636	1/2" NPTF (MaxVac Production Serial No. 056822 & Above)	20	<u>For parts call out of Outlet Adapter Assembly see 72280.</u>	
8	319655-1	Vapor Outlet Tube Assembly (H426B-REBMV Side "B")	21	<u>For parts call out of Vapor Return Line Assembly see 72282.</u>	
9	1-320777	Vapor Inlet Tube (H413B-REBMV & H426B-REBMV Side "A")	22	<u>For parts call out of MaxVac Pump Assembly see 72714.</u>	
				<u>Reference for Tokheim internal use only:</u>	
				319742	Raceway Assembly
				319924	Raceway Assembly (Continued)
				319743	Trim Assembly

MAXVAC SYSTEM (24" WIDE RACEWAY)  
(H414B-REBMV & H428B-REBMV)

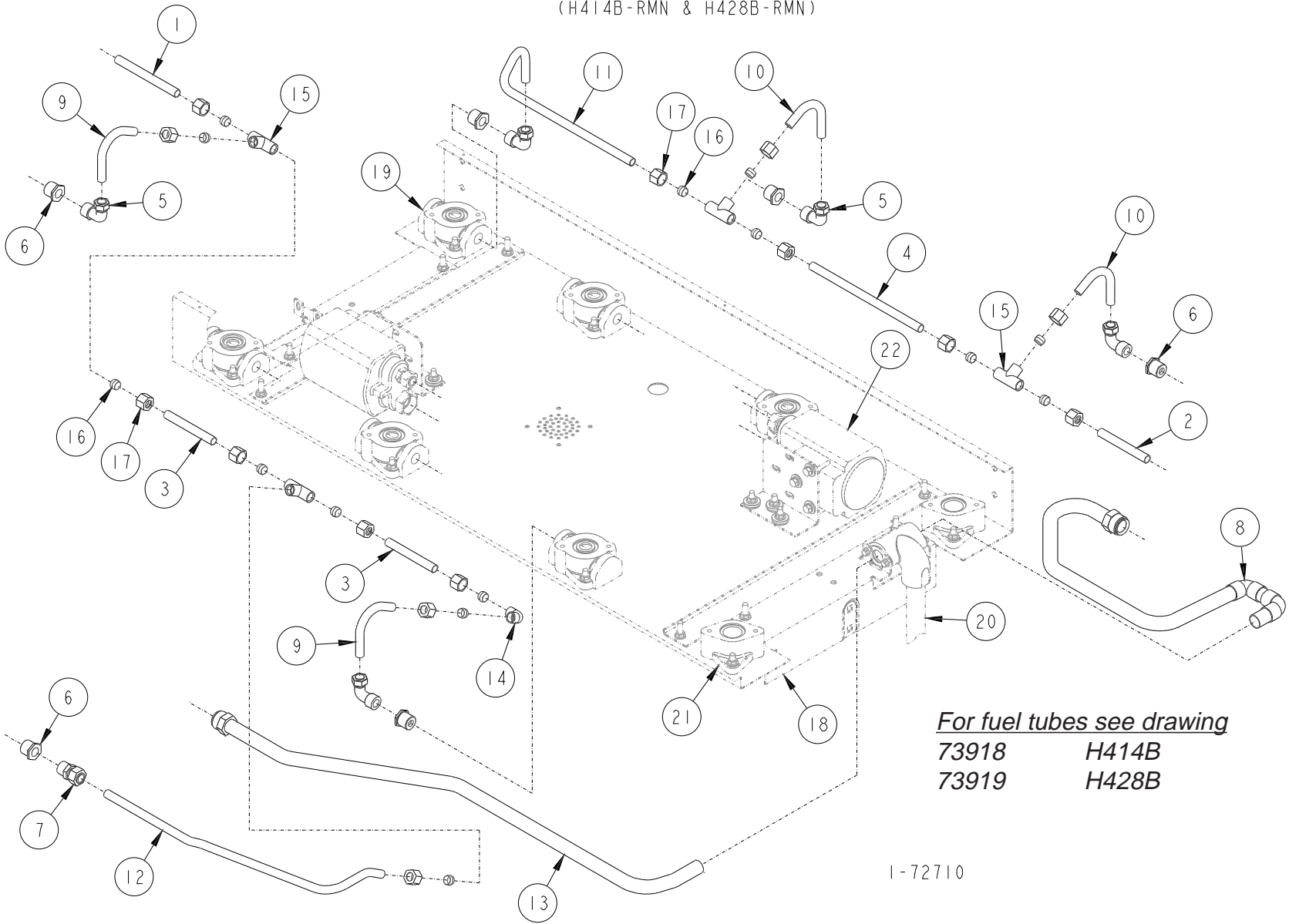


## MAXVAC SYSTEM (24" Wide Raceway)

### (H414B-REBMV & H428B-REBMV)

ITEM NO.	PART NO.	DESCRIPTION	ITEM NO.	PART NO.	DESCRIPTION
1	102-230486	Copper Tube Nipple (H428B-RMV Side "B")	13	1-320787	Vapor Inlet Tube (H414B-REBMV & H428B-REBMV Side "A")
2	<u>Male Elbow</u>		14	1-320789	Vapor Inlet Tube (H428B-RMV Side "B")
	1-232281	1/2" NPTF (MaxVac Production Serial No. 056822 & Above)	15	1-320798	Vapor Inlet Tube (H414B-REBMV & H428B-REBMV Side "A")
	3-232281	3/8" NPTF (All Interim Vapor, MaxVac Kits & MaxVac Production Serial No. 056821 & Below)	16	1-320826	Vapor Inlet Tube (H428B-RMV Side "B")
3	1-233592	3/8" NPTF Hex Bushing	17	1-320841	Vapor Inlet Tube (H428B-RMV Side "B")
4	3-319636	3/8" NPTF Male Connector	18	1-320842	Vapor Inlet Tube (H414B-REBMV & H428B-REBMV Side "A")
5	<u>Male Connector</u>		19	1-320843	Vapor Inlet Tube (H414B-REBMV & H428B-REBMV Side "A")
	3-319636	3/8" NPTF (All Interim Vapor, MaxVac Kits & MaxVac Production Serial No. 056821 & Below)	20	1-320845	Vapor Inlet Tube (H414B-REBMV & H428B-REBMV Side "A")
	4-319636	1/2" NPTF (MaxVac Production Serial No. 056822 & Above)	21	07-52030	Compression Tee
6	319900-1	Vapor Outlet Tube Assembly (H428B-REBMV Side "B")	22	07-52040	Compression Sleeve
7	319923-1	Vapor Outlet Tube Assembly (H414B-REBMV & H428B-REBMV Side "A")	23	16-52040	Compression Nut
8	1-320777	Vapor Inlet Tube (H414B-REBMV & H428B-REBMV Side "A")	24	<u>For parts call out of Raceway Assembly see 72218.</u>	
9	1-320777	Vapor Inlet Tube (H428B-REBMV Side "B")	25	<u>For parts call out of Outlet Adapter Assembly see 72280.</u>	
10	1-320782	Vapor Inlet Tube (H414B-REBMV & H428B-REBMV Side "A")	26	<u>For parts call out of Vapor Return Line Assembly see 72282.</u>	
11	1-320782	Vapor Inlet Tube (H428B-REBMV Side "B")	27	<u>For parts call out of Check Valve Assembly see 72283.</u>	
12	1-320785	Vapor Inlet Tube (H414B-REBMV & H428B-REBMV Side "A")	28	<u>For parts call out of MaxVac Pump Assembly see 72714.</u>	
			<u>Reference for Tokheim internal use only:</u>		
			319742	Raceway Assembly	
			319924	Raceway Assembly (Continued)	
			319743	Trim Assembly	

MAXVAC SYSTEM (24" WIDE RACEWAY)  
(H414B-RMN & H428B-RMN)



*For fuel tubes see drawing*  
 73918      H414B  
 73919      H428B

1-72710

## MAXVAC SYSTEM (24" Wide Raceway)

### (H414B-RMN & H428B-RMN)

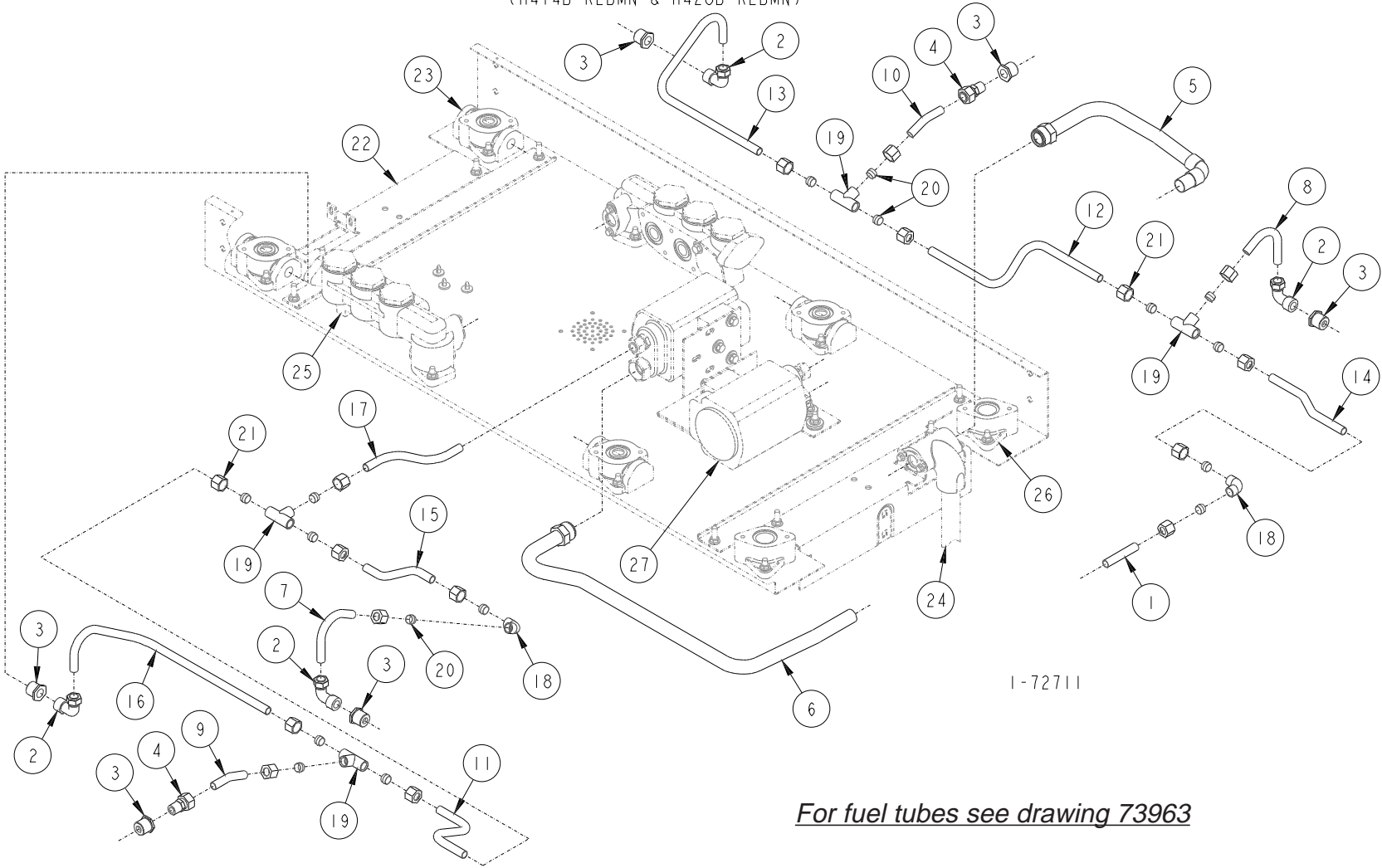
ITEM NO.	PART NO.	DESCRIPTION
1	99-230486	Copper Tube Nipple (H414B-RMN & H428B-RMN Side "A")
2	99-230486	Copper Tube Nipple (H428B-RMN Side "B")
3	100-230486	Copper Tube Nipple (H414B-RMN & H428B-RMN Side "A")
4	101-230486	Copper Tube Nipple (H428B-RMN Side "B")
5	<u>Male Elbow</u>	
	1-232281	1/2" NPTF (MaxVac Production Serial No. 056822 & Above)
	3-232281	3/8" NPTF (All Interim Vapor, MaxVac Kits & MaxVac Production Serial No. 056821 & Below)
6	1-233592	3/8" NPTF Hex Bushing
7	<u>Male Connector</u>	
	3-319636	3/8" NPTF (All Interim Vapor, MaxVac Kits & MaxVac Production Serial No. 056821 & Below)
	4-319636	1/2" NPTF (MaxVac Production Serial No. 056822 & Above)
8	319655-1	Vapor Outlet Tube Assembly (H428B-RMN Side "B")
9	1-320777	Vapor Inlet Tube (H414B-RMN & H428B-RMN Side "A")

ITEM NO.	PART NO.	DESCRIPTION
10	1-320777	Vapor Inlet Tube (H428B-RMN Side "B")
11	1-320798	Vapor Inlet Tube (H428B-RMN Side "B")
12	1-320827	Vapor Inlet Tube (H414B-RMN & H428B-RMN Side "A")
13	421829-1	Vapor Outlet Tube Assembly (H414B-RMN & H428B-RMN Side "A")
14	16-52020	90° Compression Elbow
15	07-52030	Compression Tee
16	07-52040	Compression Sleeve
17	16-52040	Compression Nut
18	<u>For parts call out of Raceway Assembly see 72218.</u>	
19	<u>For parts call out of Outlet Adapter Assembly see 72280.</u>	
20	<u>For parts call out of Vapor Return Line Assembly see 72282.</u>	
21	<u>For parts call out of Non Vapor Outlet Adapter Assembly see 72615.</u>	
22	<u>For parts call out of MaxVac Pump Assembly see 72714.</u>	

Reference for Tokheim internal use only:

319742	Raceway Assembly
319924	Raceway Assembly (Continued)
319743	Trim Assembly

MAXVAC SYSTEM (24" WIDE RACEWAY)  
(H414B-REBMN & H428B-REBMN)



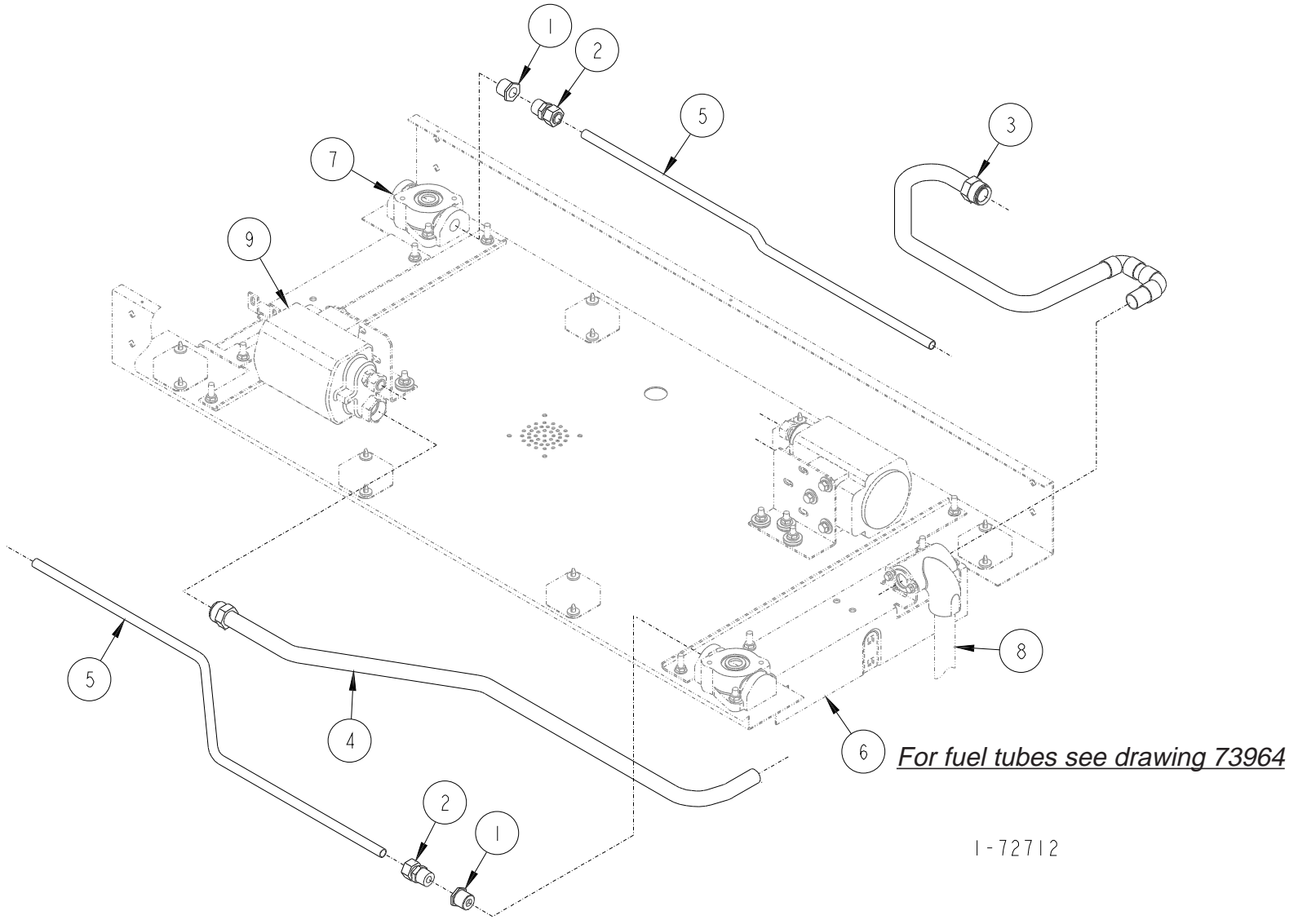
*For fuel tubes see drawing 73963*

## MAXVAC SYSTEM (24" Wide Raceway)

### (H414B-REBMN & H428B-REBMN)

ITEM NO.	PART NO.	DESCRIPTION	ITEM NO.	PART NO.	DESCRIPTION
1	102-230486	Copper Tube Nipple (H428B-REBMN Side "B")	15	1-320842	Vapor Inlet Tube (H414B-REBMN & H428B-REBMN Side "A")
2	<u>Male Elbow</u>		16	1-320843	Vapor Inlet Tube (H414B-REBMN & H428B-REBMN Side "A")
	1-232281	1/2" NPTF (MaxVac Production Serial No. 056822 & Above)	17	1-320845	Vapor Inlet Tube (H414B-REBMN & H428B-REBMN Side "A")
	3-232281	3/8" NPTF (All Interim Vapor, MaxVac Kits & MaxVac Production Serial No. 056821 & Below)	18	16-52020	90° Compression Elbow
3	1-233592	3/8" NPTF Hex Bushing	19	07-52030	Compression Tee
4	3-319636	Male Connector	20	07-52040	Compression Sleeve
5	319900-1	Vapor Outlet Tube Assembly (H428B-REBMN Side "B")	21	16-52040	Compression Nut
6	319923-1	Vapor Outlet Tube Assembly (H414B-REBMN & H428B-REBMN Side "A")	22	<u>For parts call out of Raceway Assembly see 72218.</u>	
7	1-320777	Vapor Inlet Tube (H414B-RMN & H428B-RMN Side "A")	23	<u>For parts call out of Outlet Adapter Assembly see 72280.</u>	
8	1-320777	Vapor Inlet Tube (H428B-RMN Side "B")	24	<u>For parts call out of Vapor Return Line Assembly see 72282.</u>	
9	1-320782	Vapor Inlet Tube (H414B-RMN & H428B-RMN Side "A")	25	<u>For parts call out of Check Valve Assembly see 72283.</u>	
10	1-320782	Vapor Inlet Tube (H428B-RMN Side "B")	26	<u>For parts call out of Non Vapor Outlet Adapter Assembly see 72615.</u>	
11	1-320785	Vapor Inlet Tube (H414B-RMN & H428B-RMN Side "A")	27	<u>For parts call out of MaxVac Pump Assembly see 72714.</u>	
12	1-320789	Vapor Inlet Tube (H428B-RMN Side "B")	<u>Reference for Tokheim internal use only:</u>		
13	1-320826	Vapor Inlet Tube (H428B-REBMN Side "B")	319742	Raceway Assembly	
14	1-320841	Vapor Inlet Tube (H428B-REBMN Side "B")	319924	Raceway Assembly (Continued)	
			319743	Trim Assembly	

MAXVAC SYSTEM (24" WIDE RACEWAY)  
(H722B-RMV)



1-72712

## MAXVAC SYSTEM (24" Wide Raceway) (H722B-RMV)

---

**ITEM PART**
**NO. NO. DESCRIPTION**

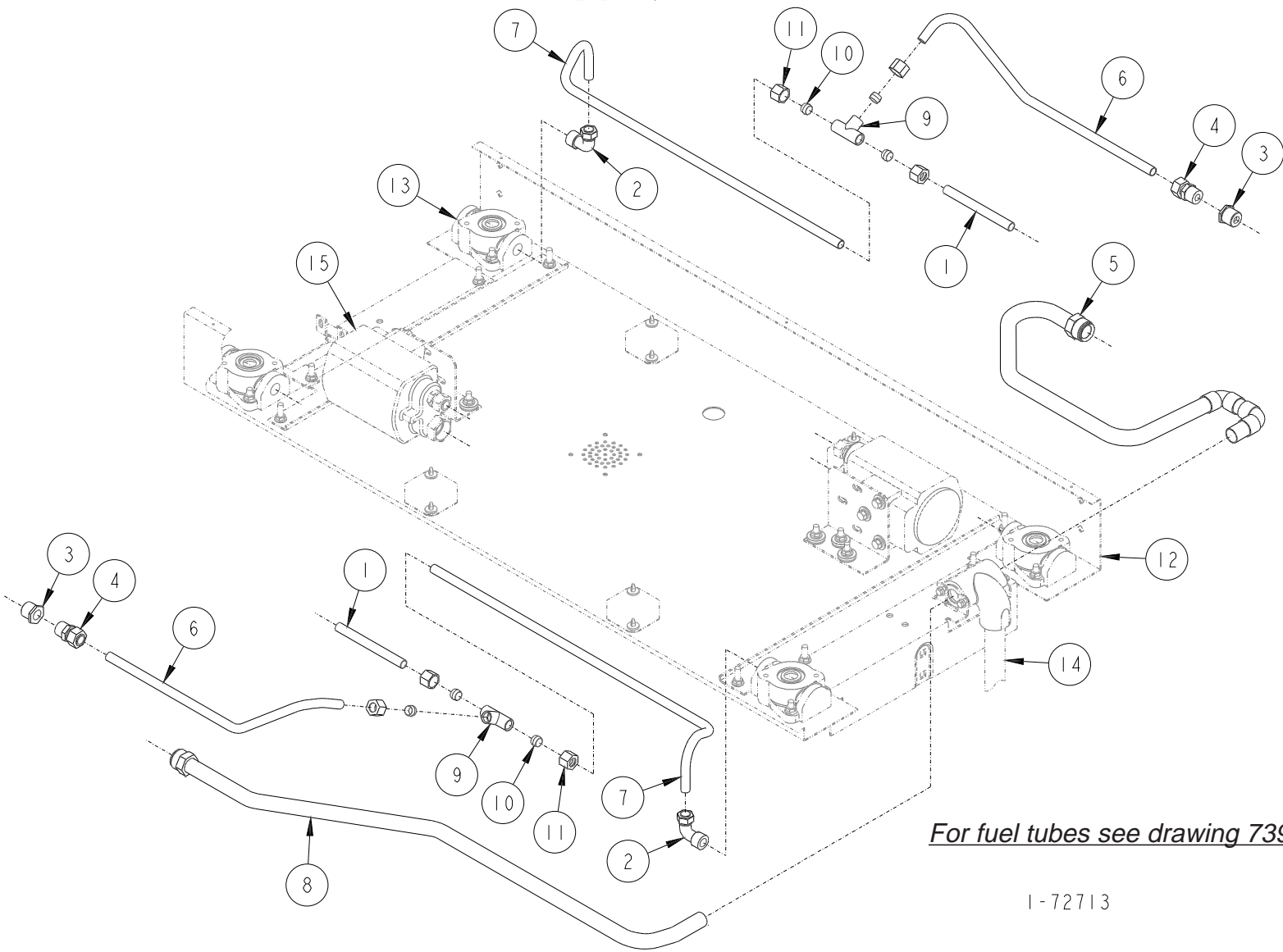

---

- |   |  |  |
|---|--|--|
| 1 | 1-233592   | 3/8" NPTF Hex Bushing  |
| 2 | <u>Male Connector</u>  |  |
|   | 3-319636   | 3/8" NPTF (All Interim Vapor, MaxVac Kits & MaxVac Production Serial No. 056821 & Below) |
|   | 4-319636   | 1/2" NPTF ( MaxVac Production Serial No. 056822 & Above)                                 |
| 3 | 319655-1   | Vapor Outlet Tube Assembly (Side "B")  |
| 4 | 421829-1   | Vapor Outlet Tube Assembly (Side "A")  |
| 5 | 1-422567   | Vapor Inlet Tube   |
| 6 | <u>For parts call out of Raceway Assembly see 72218.</u>           |  |
| 7 | <u>For parts call out of Outlet Adapter Assembly see 72280.</u>    |  |
| 8 | <u>For parts call out of Vapor Return Line Assembly see 72282.</u> |  |
| 9 | <u>For parts call out of MaxVac Pump Assembly see 72714.</u>       |  |

Reference for Tokheim internal use only:

- |        |                              |
|--------|------------------------------|
| 319742 | Raceway Assembly             |
| 319924 | Raceway Assembly (Continued) |
| 319743 | Trim Assembly                |

MAXVAC SYSTEM (24" WIDE RACEWAY)  
(H724B-RMV)



*For fuel tubes see drawing 73965*

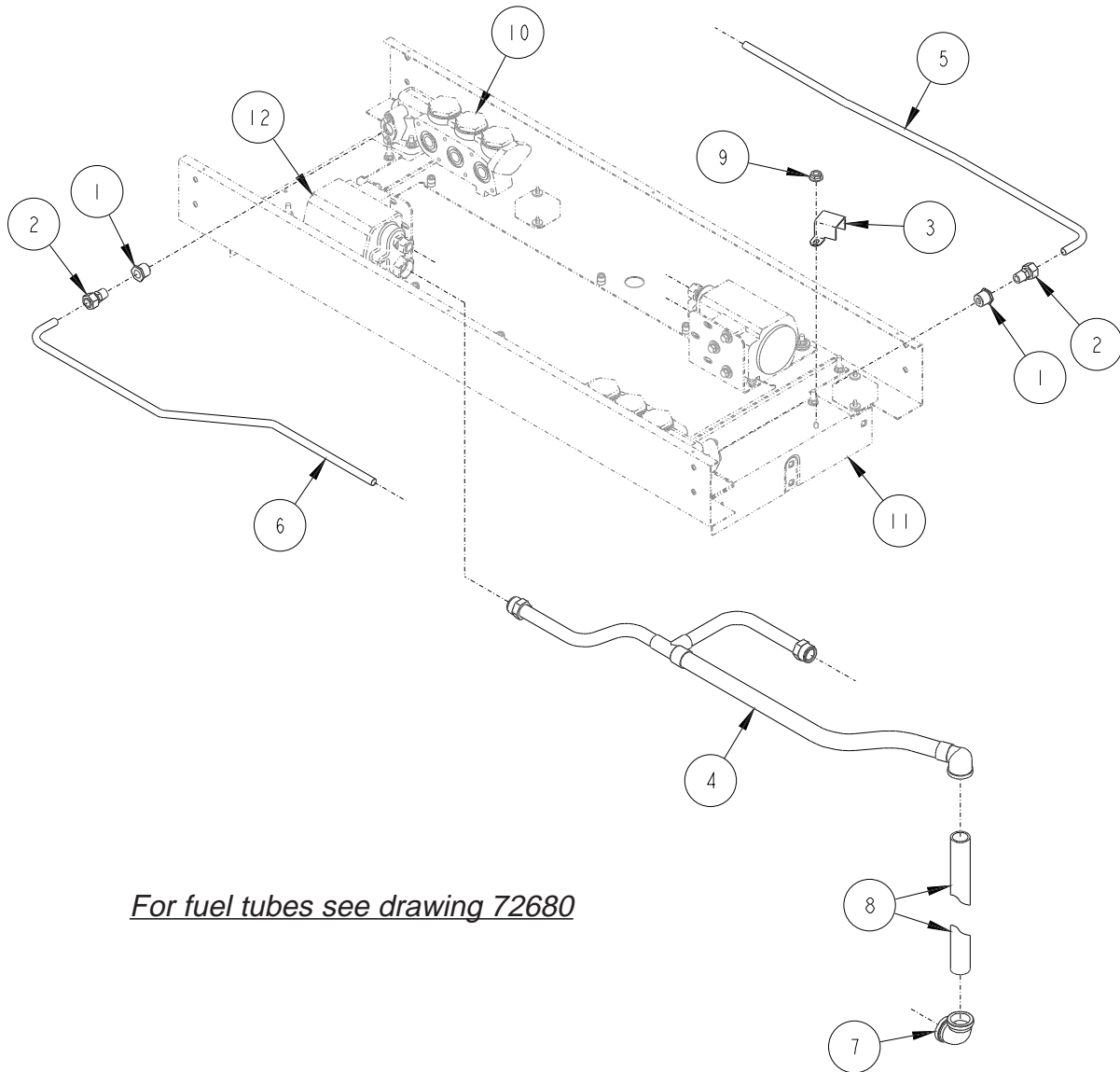
1-72713

## MAXVAC SYSTEM (24" Wide Raceway)

### (H724B-RMV)

ITEM NO.	PART NO.	DESCRIPTION	ITEM NO.	PART NO.	DESCRIPTION
1	99-230486	Copper Tube Nipple	9	07-52030	Compression Tee
2	<u>Male Elbow</u>		10	07-52040	Compression Sleeve
	1-232281	1/2" NPTF (MaxVac Production Serial No. 056822 & Above)	11	16-52040	Compression Nut
	3-232281	3/8" NPTF (All Interim Vapor, MaxVac Kits & MaxVac Production Serial No. 056821 & Below)	12	<u>For parts call out of Raceway Assembly see 72218.</u>	
3	1-233592	3/8" NPTF Hex Bushing	13	<u>For parts call out of Outlet Adapter Assembly see 72280.</u>	
4	<u>Male Connector</u>		14	<u>For parts call out of Vapor Return Line Assembly see 72282.</u>	
	3-319636	3/8" NPTF (All Interim Vapor, MaxVac Kits & MaxVac Production Serial No. 056821 & Below)	15	<u>For parts call out of MaxVac Pump Assembly see 72714.</u>	
	4-319636	1/2" NPTF (MaxVac Production Serial No. 056822 & Above)	<u>Reference for Tokheim internal use only:</u>		
5	319655-1	Vapor Outlet Tube Assembly (Side "B")	319742	Raceway Assembly	
6	1-320778	Vapor Inlet Tube	319924	Raceway Assembly (Continued)	
7	4-320798	Vapor Inlet Tube	319743	Trim Assembly	
8	421829-1	Vapor Outlet Tube Assembly (Side "A")			

MAXVAC SYSTEM (20" Wide Raceway)  
(H411B-RMV & H422B-RMV)



*For fuel tubes see drawing 72680*

1-72679

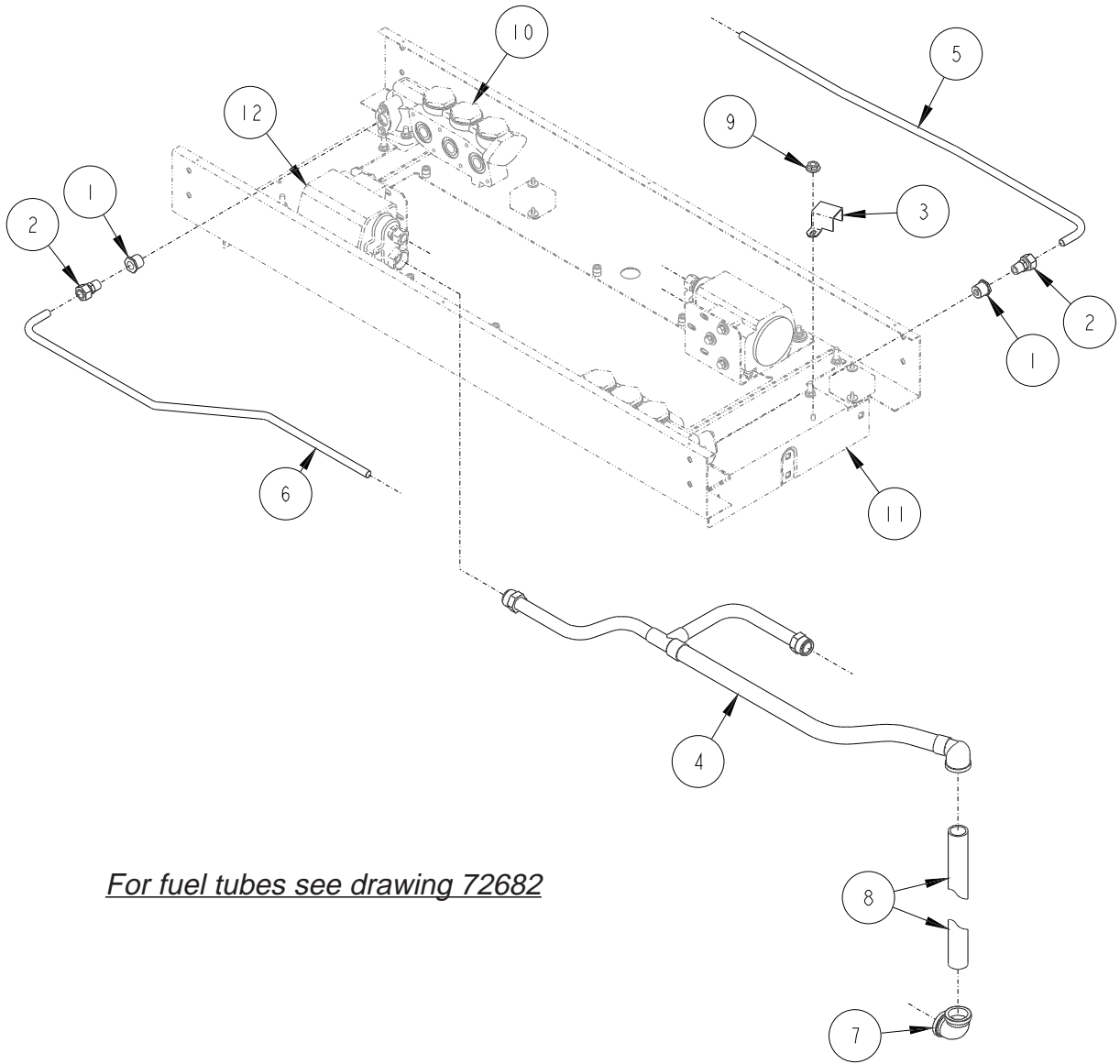
**MAXVAC SYSTEM (20" Wide Raceway)**  
**(H411B-RMV & H422B-RMV)**

ITEM NO.	PART NO.	DESCRIPTION
1	1-233592	3/8" NPTF Hex Bushing
2	3-319636	3/8" NPTF Male Connector
3	1-320939	Clamp
4	<u>Vapor Outlet Tube Assembly</u>	
	1-422497	H422B-RMV
	1-422525	H411B-RMV
5	1-422581	Vapor Inlet Tube (H411B-RMV & H422B-RMV Side "A")
6	1-422581	Vapor Inlet Tube (H422B-RMV Side "B")
7	06-51700	1" x 90° Banded Elbow
8	307-50510	Pipe
9	01-54752	1/4-20 M-F Flange Whiz Lock Nut
10	<u>For parts call out of Check Valve Assembly see 72283.</u>	
11	<u>For parts call out of Raceway Assembly see 72365.</u>	
12	<u>For parts call out of Max Vac Assembly see 72714.</u>	

Reference for Tokheim internal use only:

319743	Trim Assembly
422499	Raceway Assembly

MAXVAC SYSTEM (20" Wide Raceway)  
(H411B-RB3MV & H422B-RB3MV)



I-72681

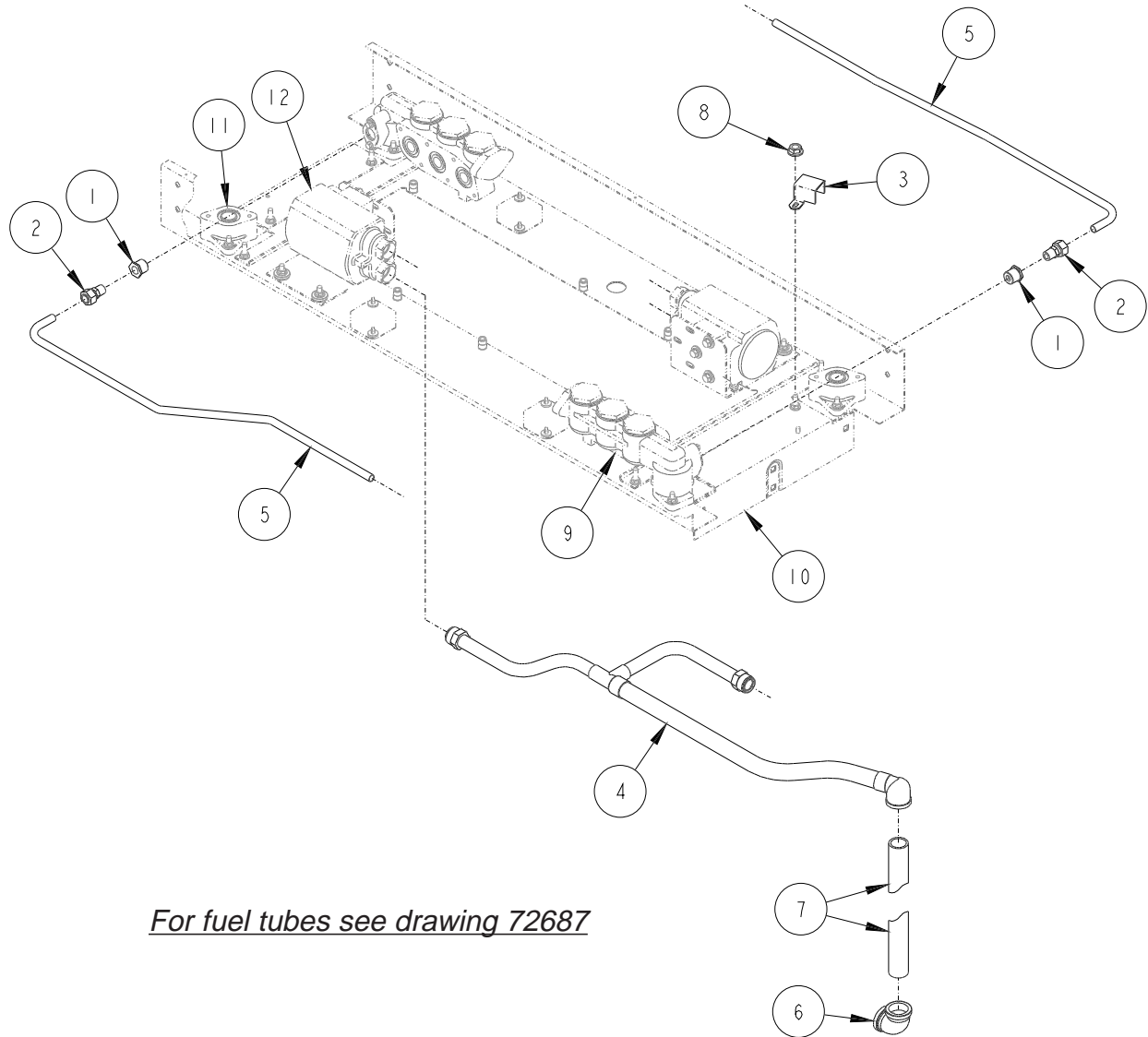
**MAXVAC SYSTEM (20" Wide Raceway)**  
**(H411B-RB3MV & H422B-RB3MV)**

ITEM NO.	PART NO.	DESCRIPTION
1	1-233592	3/8" NPTF Hex Bushing
2	3-319636	3/8" NPTF Male Connector
3	1-320939	Clamp
4	<u>Vapor Outlet Tube Assembly</u>	
	1-422497	H422B-RB3MV
	1-422525	H411B-RB3MV
5	1-422581	Vapor Inlet Tube (H411B-RB3MV & H422B-RB3MV Side "A")
6	1-422581	Vapor Inlet Tube (H422B-RB3MV Side "B")
7	06-51700	1" x 90° Banded Elbow
8	307-50510	Pipe
9	01-54752	1/4-20 M-F Flange Whiz Lock Nut
10	<u>For parts call out of Check Valve Assembly see 72283.</u>	
11	<u>For parts call out of Raceway Assembly see 72365.</u>	
12	<u>For parts call out of Max Vac Assembly see 72714.</u>	

Reference for Tokheim internal use only:

319743	Trim Assembly
422499	Raceway Assembly

MAXVAC SYSTEM (20" Wide Raceway)  
(H424B-RTRMV/Non Vapor)



1-72686

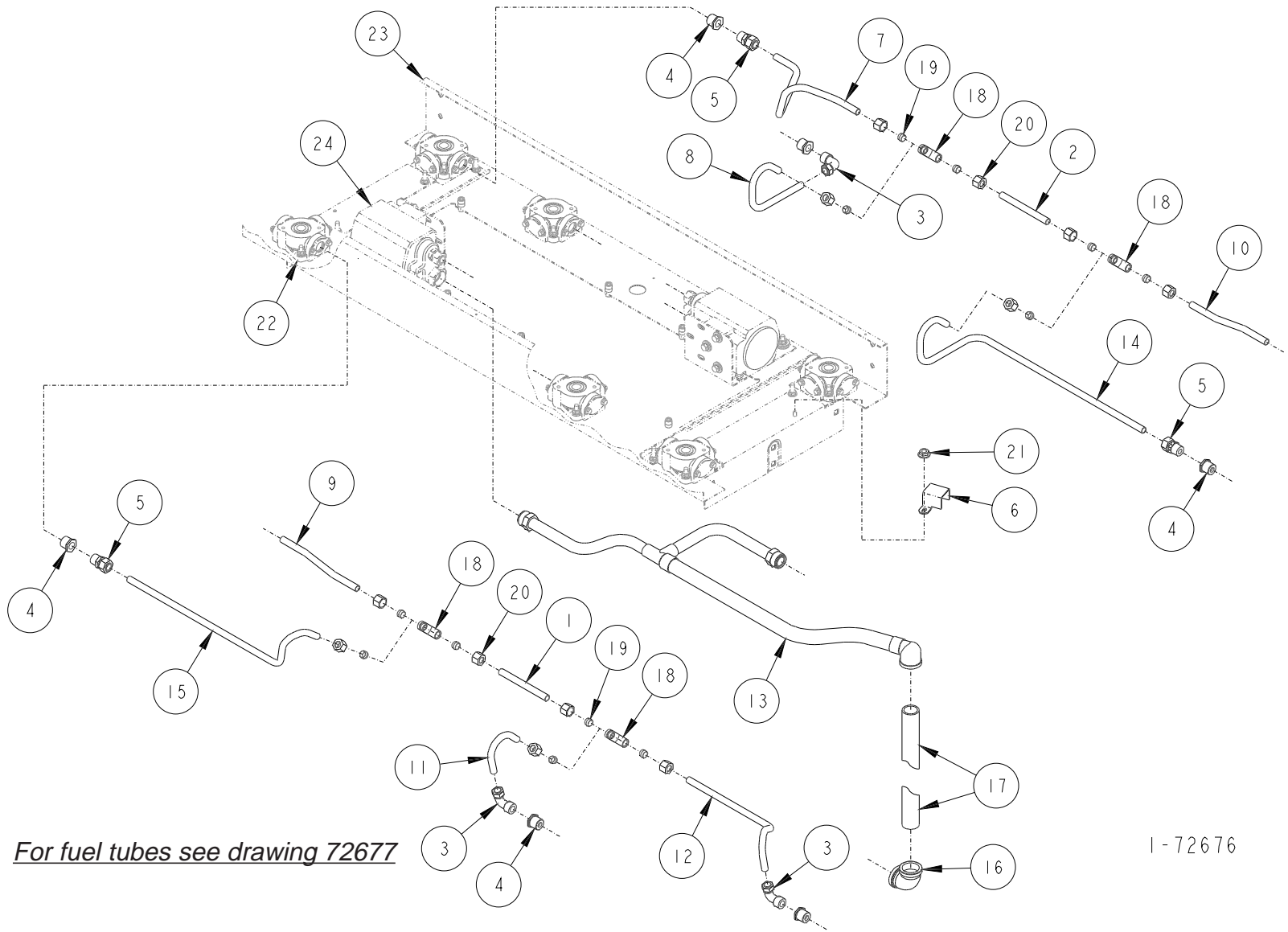
**MAXVAC SYSTEM (20" Wide Raceway)**  
**(H424B-RTRMV/Non Vapor)**

ITEM NO.	PART NO.	DESCRIPTION
1	1-233592	3/8" NPTF Hex Bushing
2	3-319636	3/8" NPTF Male Connector
3	1-320939	Clamp
4	1-422497	Vapor Outlet Tube Assembly
5	1-422581	Vapor Inlet Tube
6	06-51700	1" x 90° Banded Elbow
7	307-50510	Pipe
8	01-54752	1/4-20 M-F Flange Whiz Lock Nut
9	<u>For parts call out of Check Valve Assembly see 72283.</u>	
10	<u>For parts call out of Raceway Assembly see 72365.</u>	
11	<u>For parst call out of Non Vapor Recovery Outlet Adapter Assembly see 72615</u>	
12	<u>For parts call out of Max Vac Assembly see 72714.</u>	

Reference for Tokheim internal use only:

319743	Trim Assembly
422499	Raceway Assembly

MAXVAC SYSTEM (20" Wide Raceway)  
(H413B-RMV & H426B-RMV)



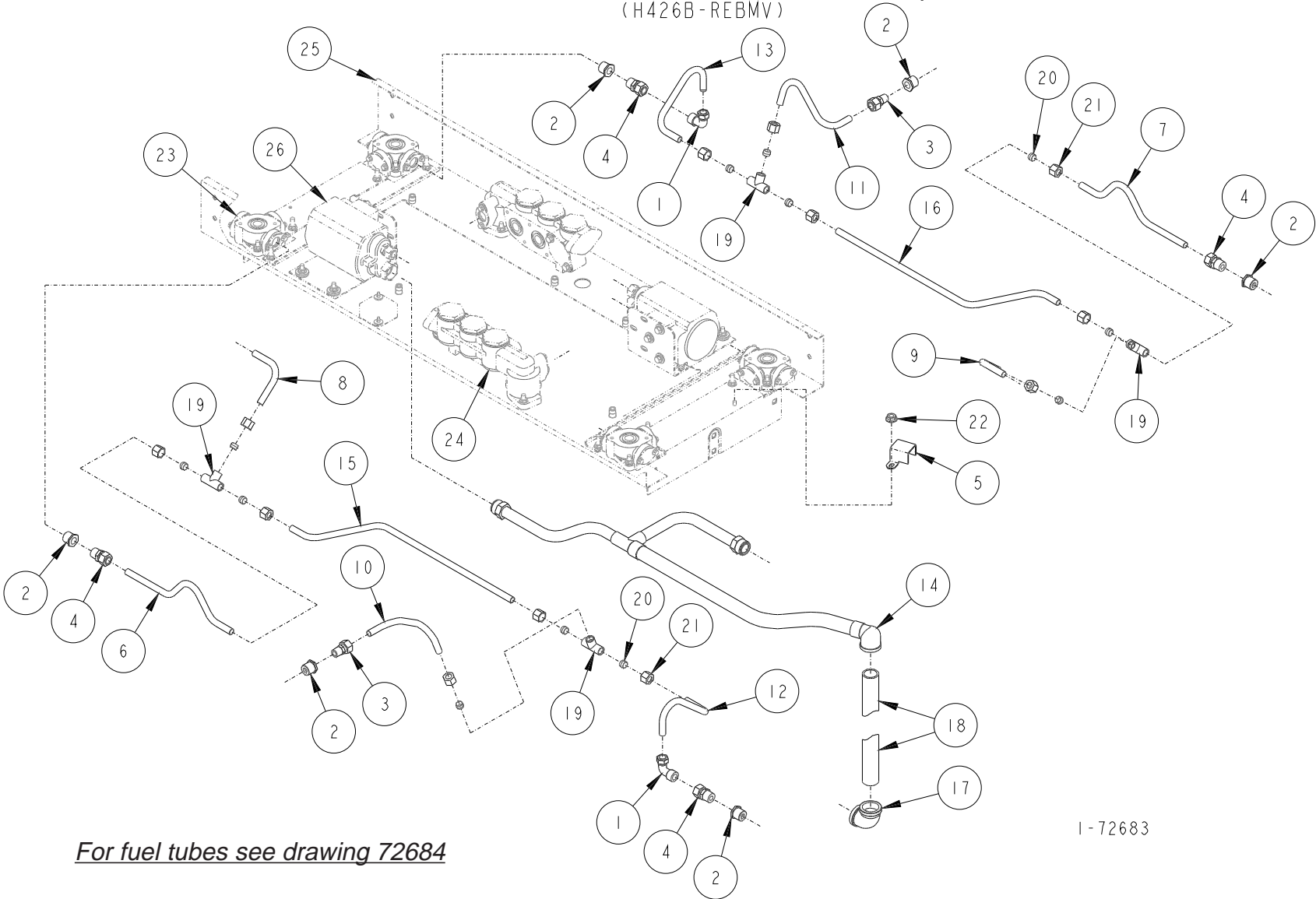
1-72676

## MAXVAC SYSTEM (20" Wide Raceway)

### (H413B-RMV & H426B-RMV)

ITEM NO.	PART NO.	DESCRIPTION	ITEM NO.	PART NO.	DESCRIPTION
1	99-230486	Copper Tube Nipple (H413B-RMV & H426B-RMV Side "A")	11	1-321044	Vapor Inlet Tube
2	99-230486	Copper Tube Nipple (H426B-RMV Side "B")	12	1-320045	Vapor Inlet Tube
3	<u>Male Elbow</u>		13	<u>Vapor Outlet Tube Assembly</u>	
	1-232281	1/2" NPTF (MaxVac Production Serial No. 056822 & Above)		1-422497	H426B-RMV
	3-232281	3/8" NPTF (All Interim Vapor, MaxVac Kits & MaxVac Production Serial No. 056821 & Below)		1-422525	H413B-RMV
4	1-233592	3/8" NPTF Hex Bushing	14	1-422578	Vapor Inlet Tube
5	<u>Male Connector</u>		15	1-422579	Vapor Inlet Tube
	3-319636	3/8" NPTF	16	06-51700	1" x 90° Banded Elbow
	4-319636	1/2" NPTF	17	307-50510	Pipe
6	1-320939	Clamp	18	07-52030	Compression Tee
7	1-321041	Vapor Inlet Tube	19	07-52040	Compression Sleeve
8	1-321042	Vapor Inlet Tube	20	16-52040	Compression Nut
9	1-321043	Vapor Inlet Tube (H413B-RMV & H426B-RMV Side "A")	21	01-54752	1/4-20 M-F Flange Whiz Lock Nut
10	1-321043	Vapor Inlet Tube (H426B-RMV Side "B")	22	<u>For parts call out of Outlet Adapter Assembly see 72280.</u>	
			23	<u>For parts call out of Raceway Assembly see 72365.</u>	
			24	<u>For parts call out of MaxVac Pump Assembly see 72714.</u>	
				<u>Reference for Tokheim internal use only:</u>	
				319743	Trim Assembly
				422499	Raceway Assembly

MAXVAC SYSTEM (20" Wide Raceway)  
(H426B-REBMV)



*For fuel tubes see drawing 72684*

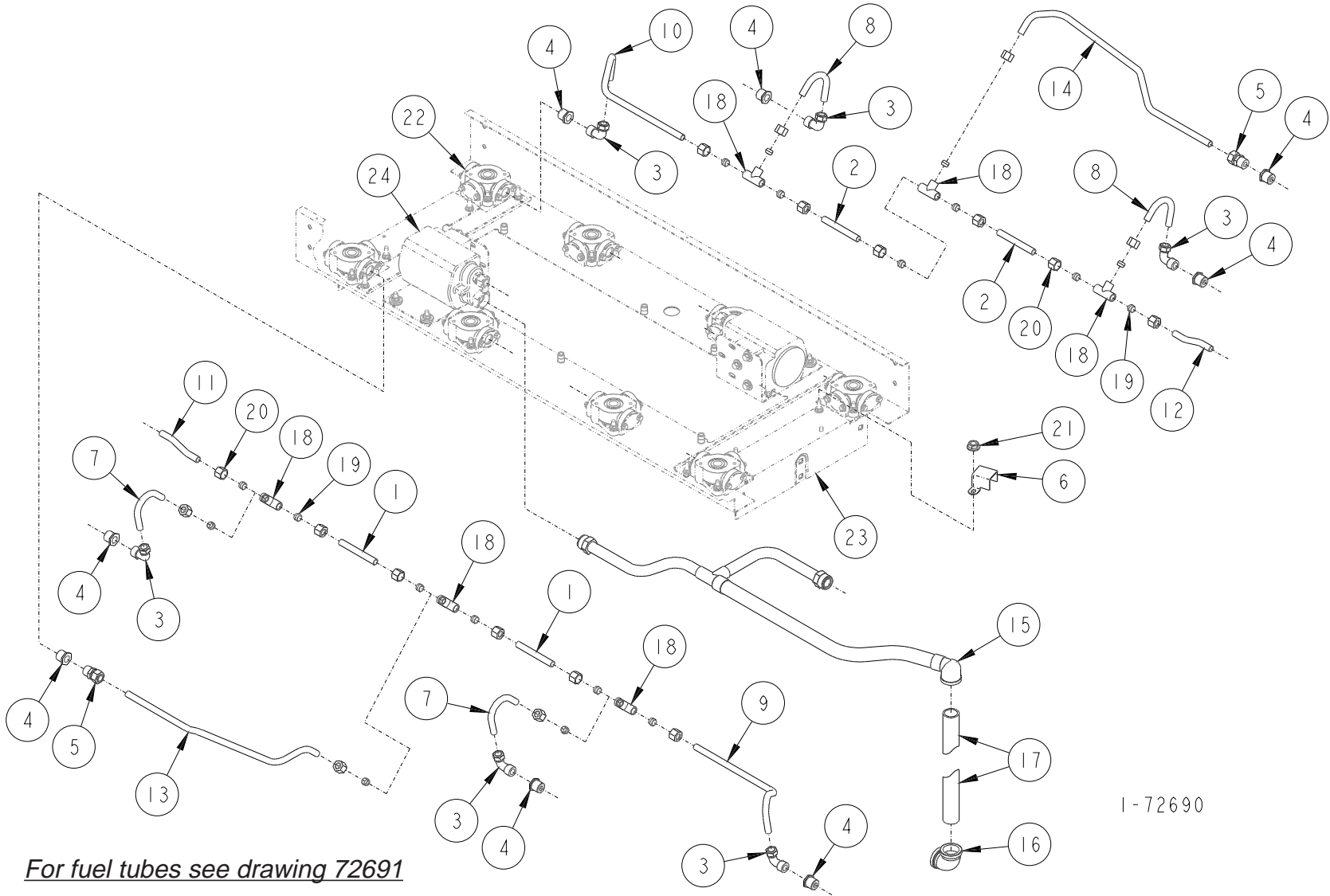
1-72683

## MAXVAC SYSTEM (20" Wide Raceway)

### (H426B-REBMV)

ITEM NO.	PART NO.	DESCRIPTION	ITEM NO.	PART NO.	DESCRIPTION
1	<u>Male Elbow</u>		14	<u>Vapor Outlet Tube Assembly</u>	
	1-232281	1/2" NPTF (MaxVac Production Serial No. 056822 & Above)		1-422497	H426B-RMV
	3-232281	3/8" NPTF (All Interim Vapor, MaxVac Kits & MaxVac Production Serial No. 056821 & Below)		1-422525	H413B-RMV
2	1-233592	3/8" NPTF Hex Bushing	15	1-422580	Vapor Inlet Tube (H426B-REBMV Side "A")
3	3-319636	3/8" NPTF Male Connector	16	1-422580	Vapor Inlet Tube (H426B-REBMV Side "B")
4	<u>Male Connector</u>		17	06-51700	1" x 90° Banded Elbow
	3-319636	3/8" NPTF (All Interim Vapor, MaxVac Kits & MaxVac Production Serial No. 056821 & Below)	18	307-50510	Pipe
	4-319636	1/2" NPTF (MaxVac Production Serial No. 056822 & Above)	19	07-52030	Compression Tee
5	1-320939	Clamp	20	07-52040	Compression Sleeve
6	1-321046	Vapor Inlet Tube (H426B-REBMV Side "A")	21	16-52040	Compression Nut
7	1-321046	Vapor Inlet Tube (H426B-REBMV Side "B")	22	01-54752	1/4-20 M-F Flange Whiz Lock Nut
8	1-321047	Vapor Inlet Tube (H426B-REBMV Side "A")	23	<u>For parts call out of Outlet Adapter Assembly see 72280.</u>	
9	1-321047	Vapor Inlet Tube (H426B-REBMV Side "B")	24	<u>For parts call out of Check Valve Assembly see 72283.</u>	
10	1-321048	Vapor Inlet Tube (H426B-REBMV Side "A")	25	<u>For parts call out of Raceway Assembly see 72365.</u>	
11	1-321048	Vapor Inlet Tube (H426B-REBMV Side "B")	26	<u>For parts call out of MaxVac Pump Assembly see 72714.</u>	
12	1-321049	Vapor Inlet Tube (H426B-REBMV Side "A")		<u>Reference for Tokheim internal use only:</u>	
13	1-321049	Vapor Inlet Tube (H426B-REBMV Side "B")		319743	Trim Assembly
				422499	Raceway Assembly

MAXVAC SYSTEM (20" Wide Raceway)  
(H428B-RTRMV)



*For fuel tubes see drawing 72691*

1-72690

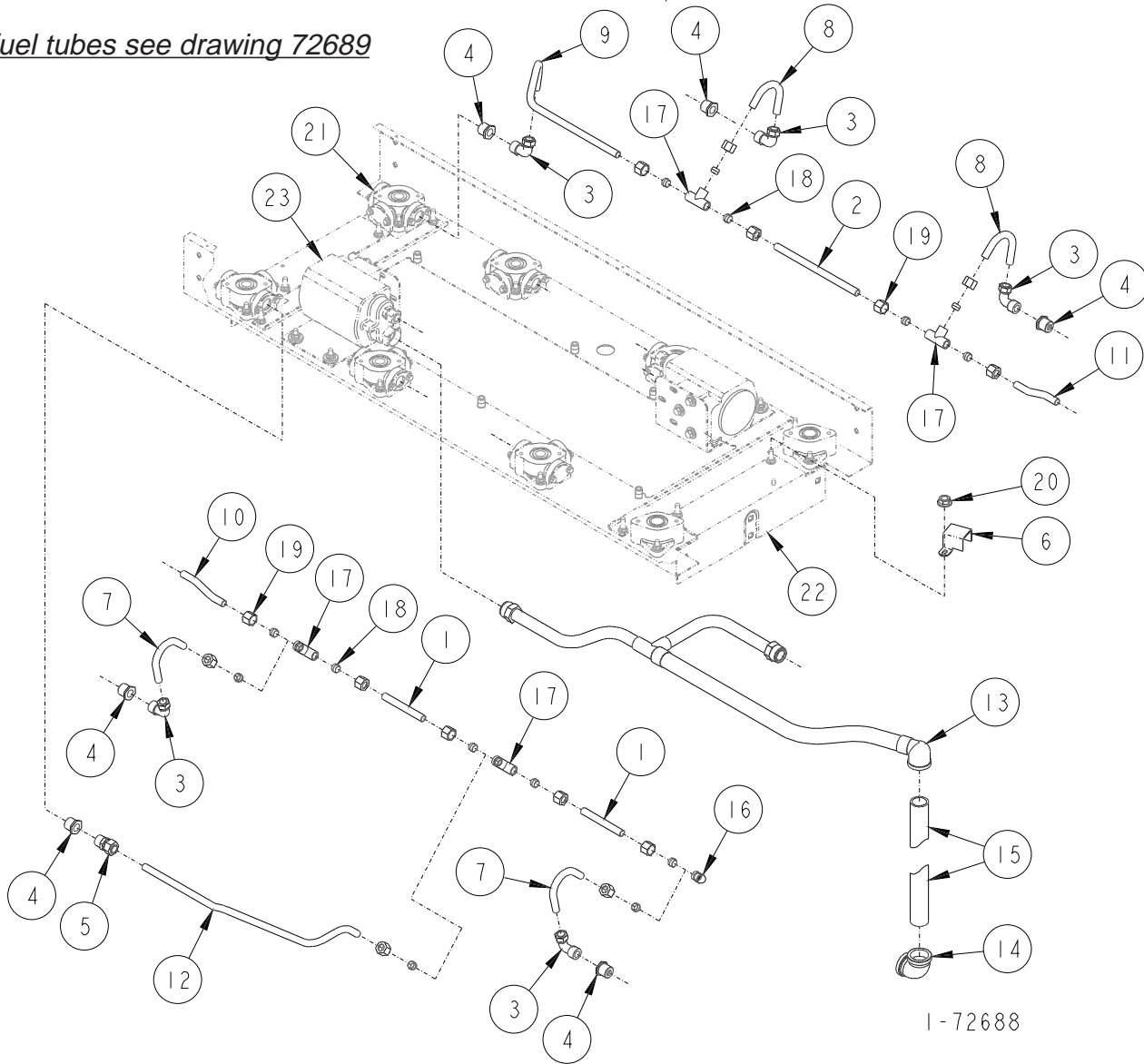
## MAXVAC SYSTEM (20" Wide Raceway)

### (H428B-RTRMV)

ITEM NO.	PART NO.	DESCRIPTION	ITEM NO.	PART NO.	DESCRIPTION
1	100-230486	Copper Tube Nipple (H428B-RTRMV Side "A")	8	1-321044	Vapor Inlet Tube (H428B-RTRMV Side "B")
2	100-230486	Copper Tube Nipple (H428B-RTRMV Side "B")	9	1-321045	Vapor Inlet Tube (H428B-RTRMV Side "A")
3	<u>Male Elbow</u>		10	1-321045	Vapor Inlet Tube (H428B-RTRMV Side "B")
	1-232281	1/2" NPTF (MaxVac Production Serial No. 056822 & Above)	11	1-321050	Vapor Inlet Tube (H428B-RTRMV Side "A")
	3-232281	3/8" NPTF (All Interim Vapor, MaxVac Kits & MaxVac Production Serial No. 056821 & Below)	12	1-321050	Vapor Inlet Tube (H428B-RTRMV Side "B")
4	1-233592	3/8" NPTF Hex Bushing	13	1-321051	Vapor Inlet Tube (H428B-RTRMV Side "A")
5	<u>Male Connector</u>		14	1-321051	Vapor Inlet Tube (H428B-RTRMV Side "B")
	3-319636	3/8" NPTF (All Interim Vapor, MaxVac Kits & MaxVac Production Serial No. 056821 & Below)	15	1-422497	Vapor Outlet Tube Assembly
	4-319636	1/2" NPTF (MaxVac Production Serial No. 056822 & Above)	16	06-51700	1" x 90° Banded Elbow
6	1-320939	Clamp	17	307-50510	Pipe
7	1-321044	Vapor Inlet Tube (H428B-RTRMV Side "A")	18	07-52030	Compression Tee
			19	07-52040	Compression Sleeve
			20	16-52040	Compression Nut
			21	01-54752	1/4-20 M-F Flange Whiz Lock Nut
			22	<u>For parts call out of Outlet Adapter Assembly see 72280.</u>	
			23	<u>For parts call out of Raceway Assembly see 72365.</u>	
			24	<u>For parts call out of MaxVac Pump Assembly see 72714.</u>	
				<u>Reference for Tokheim internal use only:</u>	
				319743	Trim Assembly
				422499	Raceway Assembly

MAXVAC SYSTEM (20" Wide Raceway)  
(H428B-RMV/Non Vapor)

*For fuel tubes see drawing 72689*

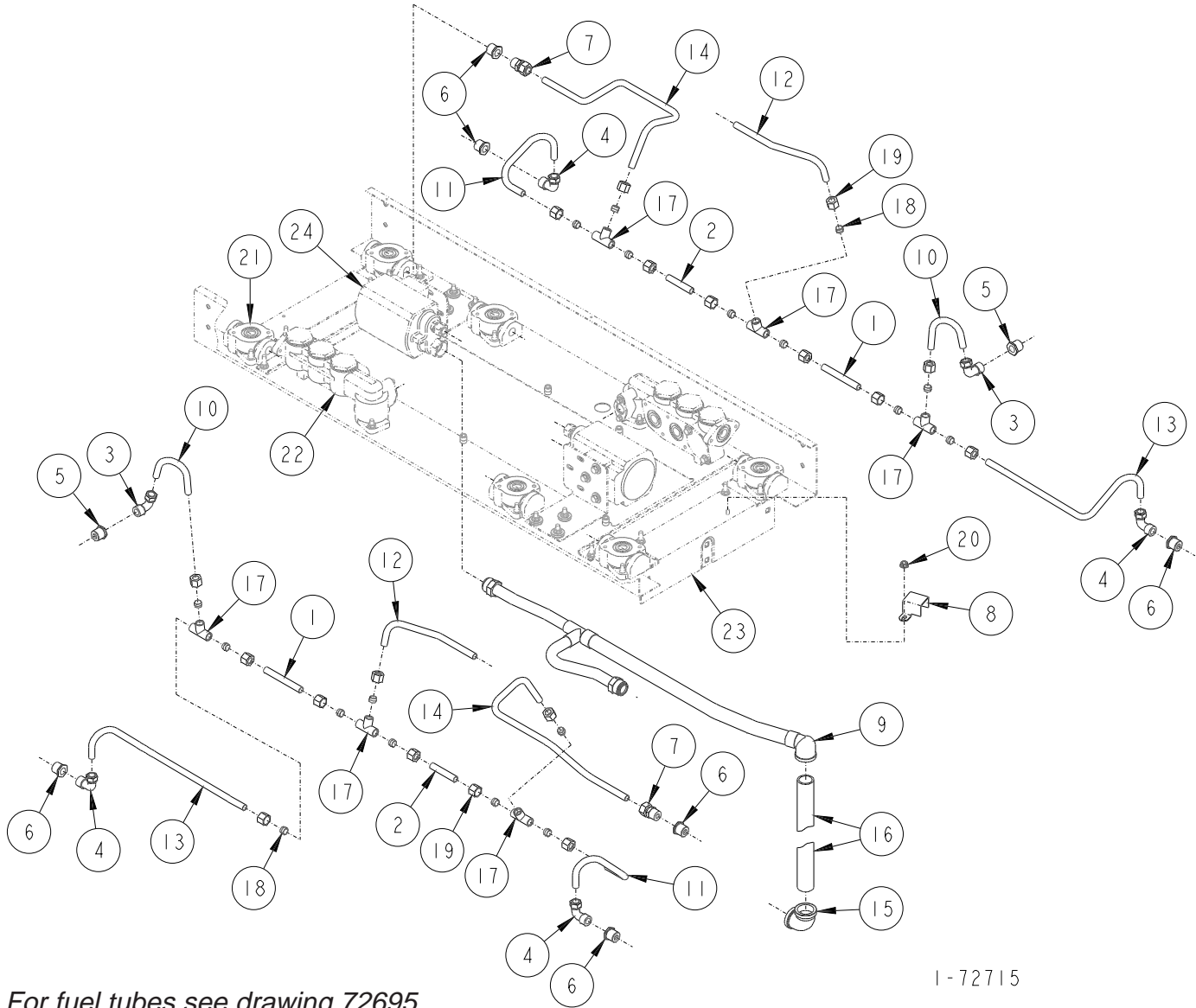


## MAXVAC SYSTEM (20" Wide Raceway)

### (H428B-RMV/Non Vapor)

ITEM NO.	PART NO.	DESCRIPTION	ITEM NO.	PART NO.	DESCRIPTION
1	100-230486	Copper Tube Nipple (H428B-RMV Side "A")	9	1-321045	Vapor Inlet Tube (H428B-RMV Side "B")
2	105-230486	Copper Tube Nipple (H428B-RMV Side "B")	10	1-321050	Vapor Inlet Tube (H428B-RMV Side "A")
3	<u>Male Elbow</u>		11	1-321050	Vapor Inlet Tube (H428B-RMV Side "B")
	1-232281	1/2" NPTF (MaxVac Production Serial No. 056822 & Above)	12	1-321051	Vapor Inlet Tube (H428B-RMV Side "A")
	3-232281	3/8" NPTF (All Interim Vapor, MaxVac Kits & MaxVac Production Serial No. 056821 & Below)	13	1-422497	Vapor Outlet Tube Assembly
4	1-233592	3/8" NPTF Hex Bushing	14	06-51700	1" x 90° Banded Elbow
5	<u>Male Connector</u>		15	307-50510	Pipe
	3-319636	3/8" NPTF (All Interim Vapor, MaxVac Kits & MaxVac Production Serial No. 056821 & Below)	16	16-52020	90° Compression Elbow
	4-319636	1/2" NPTF (MaxVac Production Serial No. 056822 & Above)	17	07-52030	Compression Tee
6	1-320939	Clamp	18	07-52040	Compression Sleeve
7	1-321044	Vapor Inlet Tube (H428B-RMV Side "A")	19	16-52040	Compression Nut
8	1-321044	Vapor Inlet Tube (H428B-RMV Side "B")	20	01-54752	1/4-20 M-F Flange Whiz Lock Nut
			21	<u>For parts call out of Outlet Adapter Assembly see 72280.</u>	
			22	<u>For parts call out of Raceway Assembly see 72365.</u>	
			23	<u>For parts call out of MaxVac Pump Assembly see 72714.</u>	
			<u>Reference for Tokheim internal use only:</u>		
			319743	Trim Assembly	
			422499	Raceway Assembly	

MAXVAC SYSTEM (20" Wide Raceway)  
(H428B-REBTRMV)



*For fuel tubes see drawing 72695*

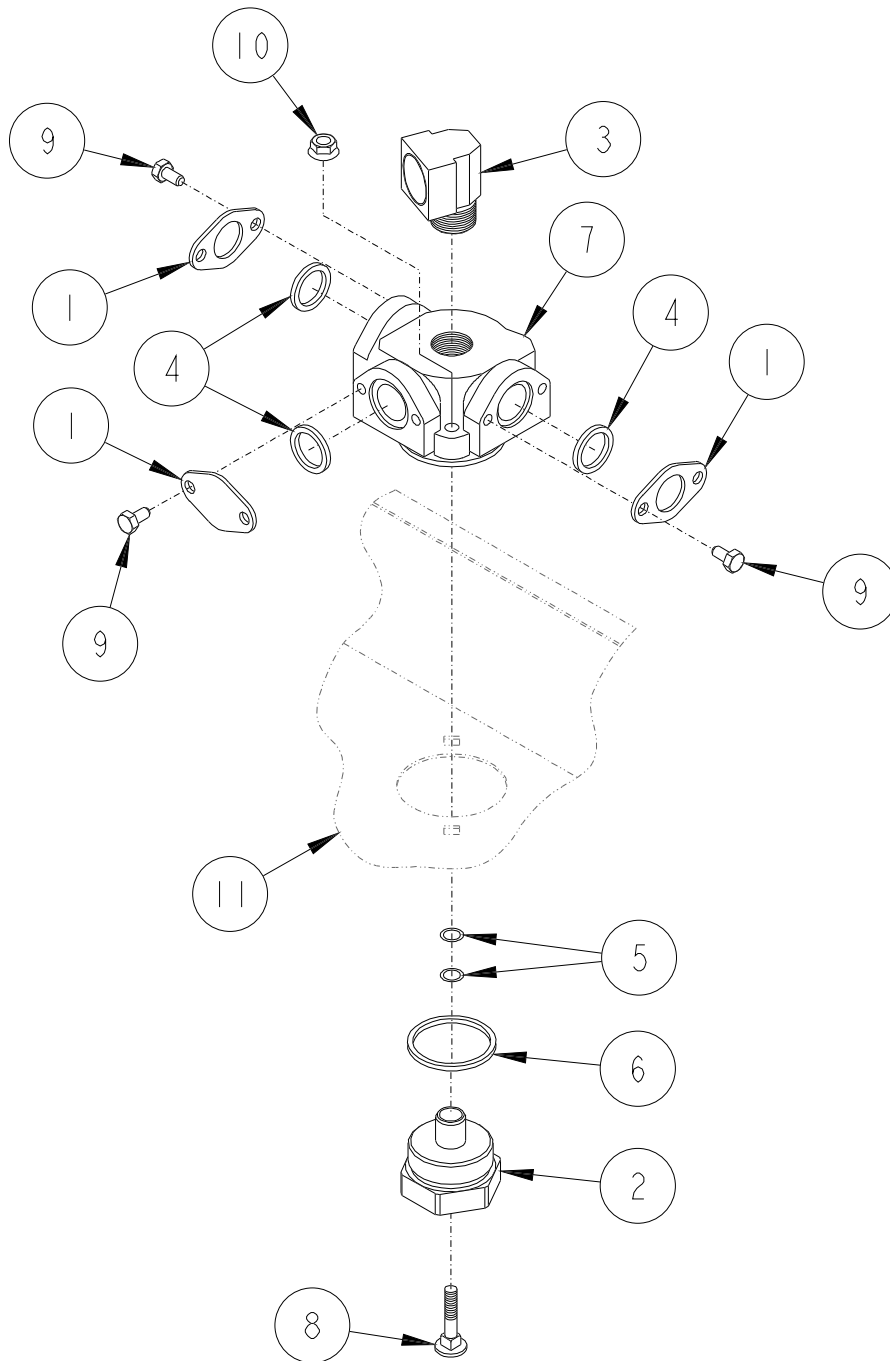
1-72715

## MAXVAC SYSTEM (20" Wide Raceway)

### (H428B-REBTRMV)

ITEM NO.	PART NO.	DESCRIPTION	ITEM NO.	PART NO.	DESCRIPTION
1	100-230486	Copper Tube Nipple	10	1-321052	Vapor Inlet Tube
2	102-230486	Copper Tube Nipple	11	1-321053	Vapor Inlet Tube
3	3-232281	3/8" NPTF Male Elbow	12	1-321054	Vapor Inlet Tube
4	<u>Male Elbow</u>		13	1-422582	Vapor Inlet Tube
	1-232281	1/2" NPTF (MaxVac Production Serial No. 056822 & Above)	14	1-422583	Vapor Inlet Tub
	3-232281	3/8" NPTF (All Interim Vapor, MaxVac Kits & MaxVac Production Serial No. 056821 & Below)	15	06-51700	1" x 90° Banded Elbow
5	1-233592	3/8" NPTF Hex Bushing	16	307-50510	Pipe
6	1-233592	3/8" NPTF Hex Bushing	17	07-52030	Compression Tee
7	<u>Male Connector</u>		18	07-52040	Compression Sleeve
	3-319636	3/8" NPTF (All Interim Vapor, MaxVac Kits & MaxVac Production Serial No. 056821 & Below)	19	16-52040	Compression Nut
	4-319636	1/2" NPTF (MaxVac Production Serial No. 056822 & Above)	20	01-54752	1/4-20 M-F Flange Whiz Lock Nut
8	1-320939	Clamp	21	<u>For parts call out of Outlet Adapter Assembly see 72280.</u>	
9	1-320990	Vapor Outlet Tube Assembly	22	<u>For parts call out of Check Valve Assembly see 72283.</u>	
			23	<u>For parts call out of Raceway Assembly see 72365.</u>	
			24	<u>For parts call out of MaxVac Pump Assembly see 72714.</u>	
				<u>Reference for Tokheim internal use only:</u>	
			319743	Trim Assembly	
			422499	Raceway Assembly	

OUTLET ADAPTER ASSEMBLY  
(1st Design See Serial Break List 71144)



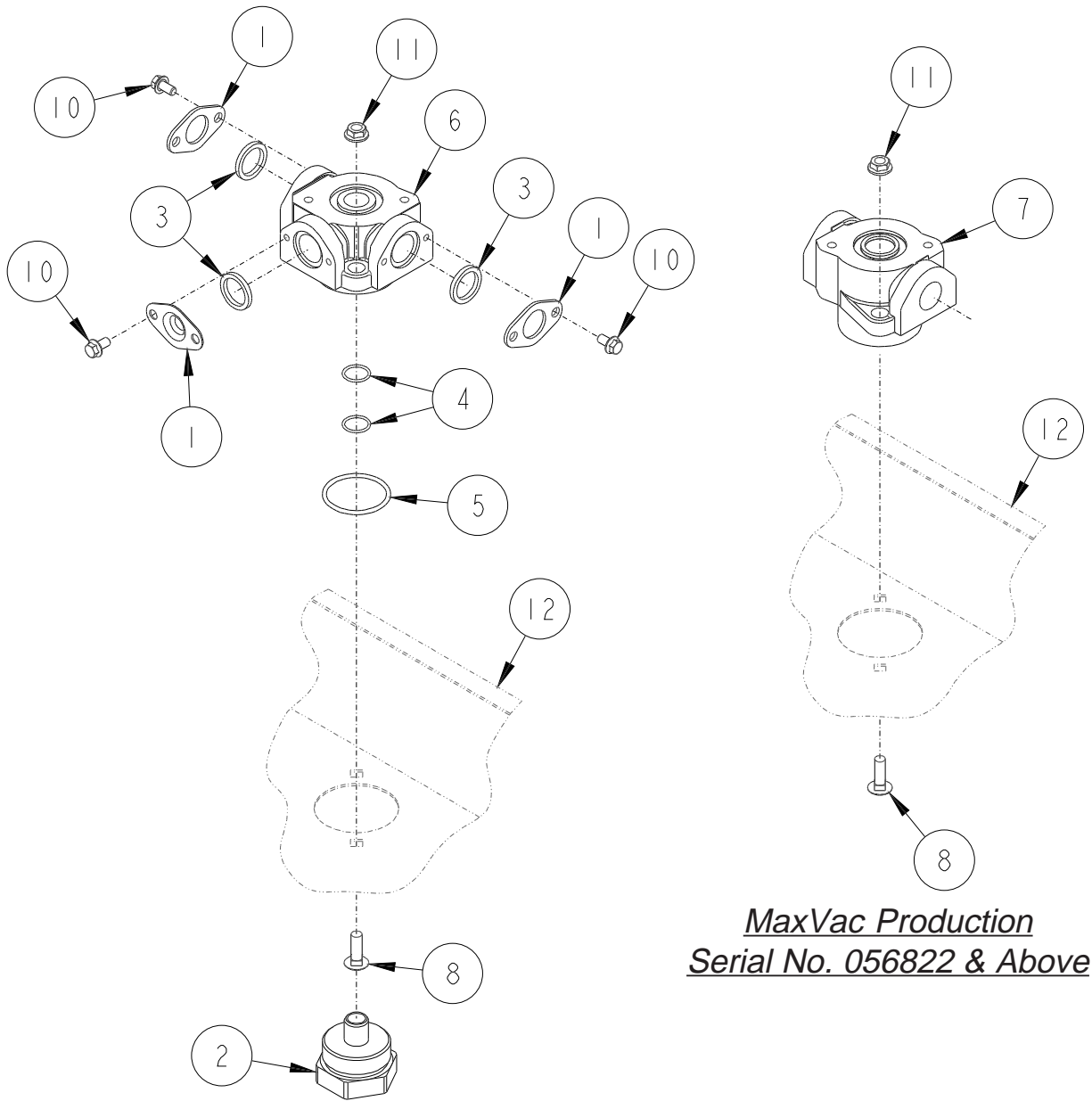
4-72276

**OUTLET ADAPTER ASSEMBLY****(1st Design See Serial Break List 71144)**

ITEM NO.	PART NO.	DESCRIPTION	ITEM NO.	PART NO.	DESCRIPTION
1	<u>Vapor</u>		9	05-55132	#1/4-20 x 1/2" Long M-F Flange Whiz Lock Screw
	1-132494	Flange			
	1-231836	Cap	10	02-54752	5/16-18 M-F Flange Whiz Lock Nut
2	<u>Adapter</u>		11	<u>For parts call out of Raceway Assembly see 72218.</u>	
	1-227838	3/4" Non Swivel		<u>Reference for Tokheim internal use only:</u>	
	2-227838	1" Non Swivel		319396	45" Raceway Assembly
	1-232274	Flow Inverted (MaxVac)		319625	45" Raceway Assembly
3	<u>Inverted Flare</u>				
	1-230993	90° Elbow			
	1-230994	Connector (V1 Only)			
4	20-313235	Gasket			
5	11-318940	"O" Ring			
6	27-318940	"O" Ring			
7	<u>Outlet Adapter</u>				
	2-420899	All models except listed below			
	3-420899	MaxVac (Side "B")			
8	39-52198	5/16-18 x 1" Long Carriage Bolt			

4-72276

VAPOR RECOVERY  
OUTLET ADAPTER ASSEMBLY  
 (2nd Design See Serial Break List 71144)



All Interim Vapor, MaxVac Kits & MaxVac  
Production Serial No. 056821 & Below

MaxVac Production  
Serial No. 056822 & Above

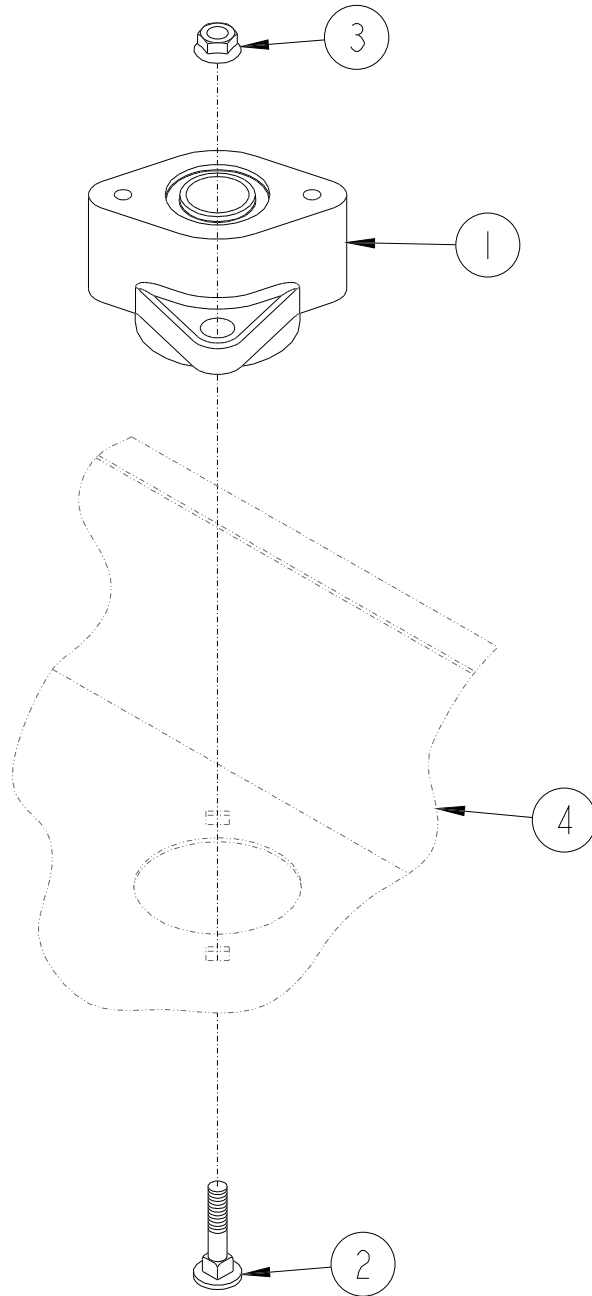
3-72280

## INTERIM & FULL VAPOR RECOVERY OUTLET ADAPTER ASSEMBLY

(2nd Design See Serial Break List 71144)

ITEM NO.	PART NO.	DESCRIPTION	ITEM NO.	PART NO.	DESCRIPTION
1	<u>Vapor</u>		8	39-52198	5/16-18 x 1" Long Carriage Bolt
	1-132494	Flange	10	05-55132	#1/4-20 x 1/2" Long M-F Flange Whiz Lock Screw
	1-231836	Cap	11	02-54752	5/16-18 M-F Flange Whiz Lock Nut
2	<u>Adapter</u>		12	<u>For parts call out of Raceway Assembly see:</u>	
	1-227838	3/4" Non Swivel	72218	No Bottom Access	
	2-227838	1" Non Swivel	72365	Bottom Access	
	3-227838	Future Diesel	<u>Reference for Tokheim internal use</u>		
	1-232274	Flow Inverted (MaxVac)	<u>only:</u>		
3	20-313235	Gasket	319742	45" Raceway Assembly	
4	11-318940	"O" Ring	319811	30" Raceway Assembly	
5	27-318940	"O" Ring	319924	45" Raceway Assembly	
6	<u>Outlet Adapter</u>		(Continued)		
	4-420899	Interim Vapor models Side "A" & All MaxVac Side "A"			
	5-420899	Interim Vapor models Side "A" & All MaxVac Side "A"	3-72280		
7	1-422008	Outlet Adapter			

NON VAPOR RECOVERY  
OUTLET ADAPTER ASSEMBLY

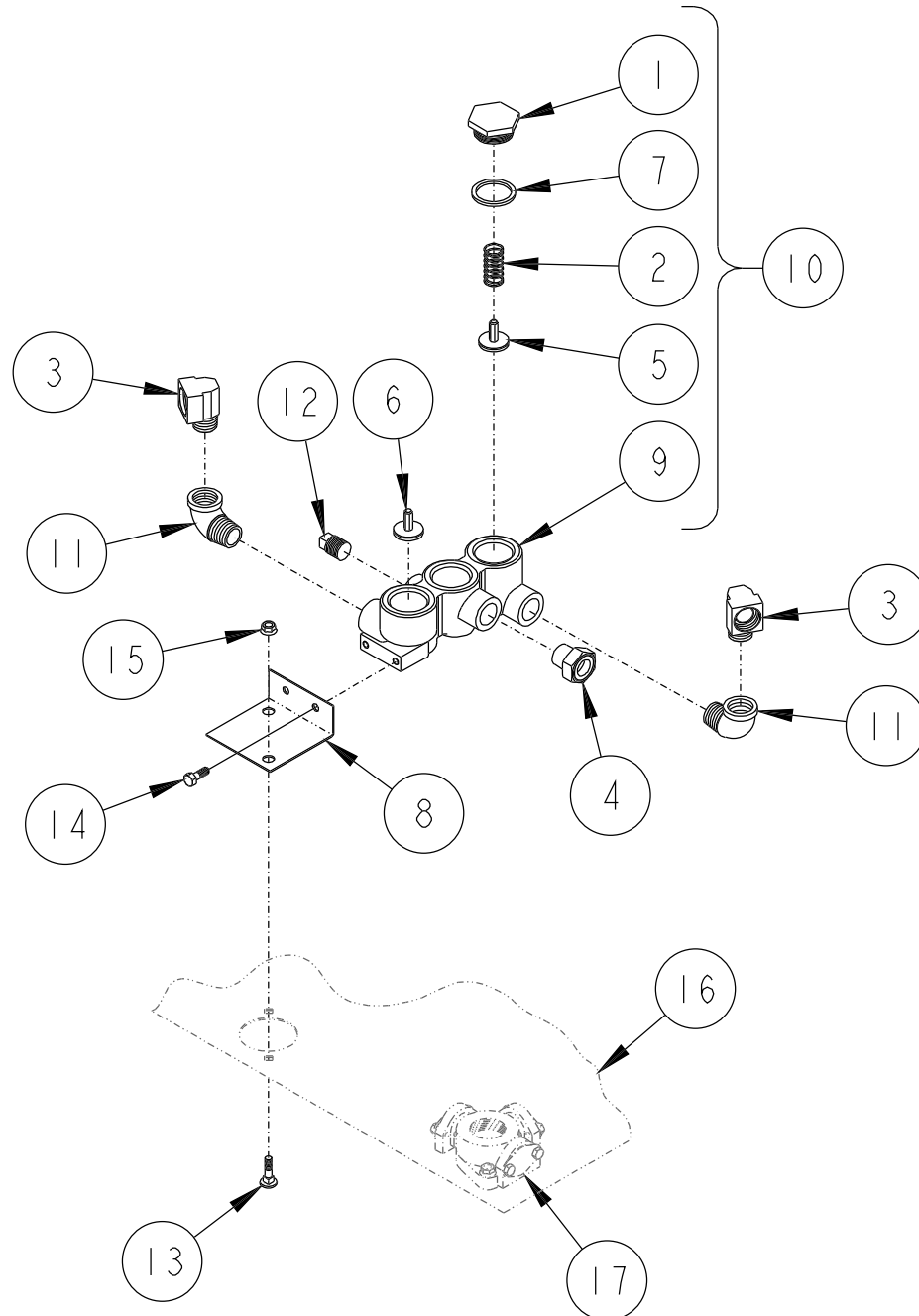


2-72615

## NON VAPOR RECOVERY OUTLET ADAPTER ASSEMBLY

ITEM NO.	PART NO.	DESCRIPTION
1	<u>Outlet Adapter</u>	
	1-422324	3/4"
	2-422324	1"
2	39-52198	5/16-18 x 1" Long Carriage Bolt
3	02-54752	5/16-18 M-F Flange Whiz Lock Nut
4	<u>For parts call out of Raceway Assembly see:</u>	
	72218	No Bottom Access
	72365	Bottom Access
	<u>Reference for Tokheim internal use only:</u>	
	319742	45" Raceway Assembly
	319811	30" Raceway Assembly
	319625	45" Raceway Assembly (Continued)

30" CHECK VALVE ASSEMBLY  
(1st Design See Serial Break List 71144)



3-72232

## 30" CHECK VALVE ASSEMBLY

(1st Design See Serial Break List 71144)

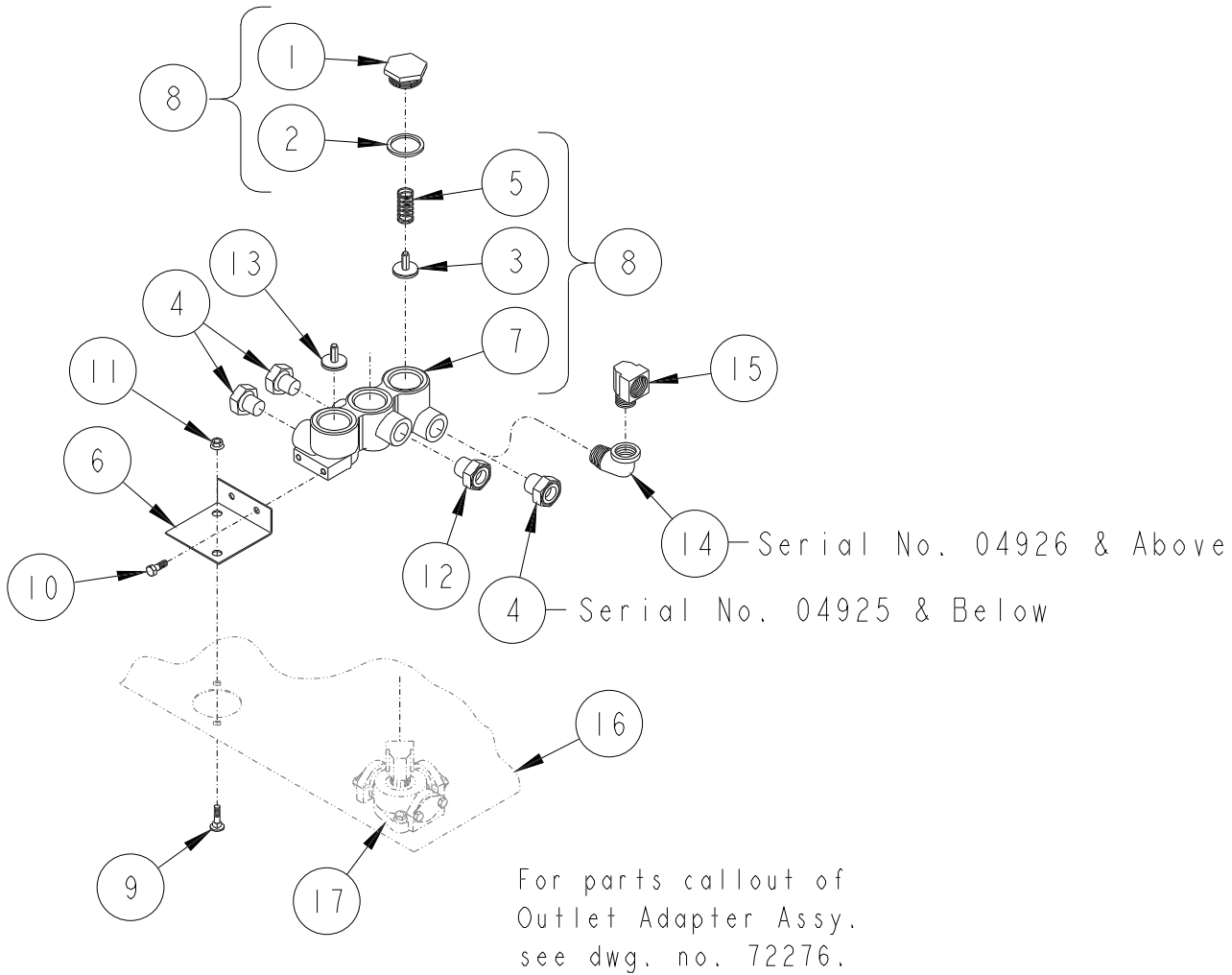
ITEM NO.	PART NO.	DESCRIPTION
1	1-120731	Check Valve Cap
2	1-120733	Poppet Spring
3	1-230993	90° Inverted Flare Connector
4	1-230994	Inverted Flare Connector
5	1-233636	Poppet Disc Assembly
6	1-233635	Valve Assembly
7	6-313235	Gasket
8	1-319400	Check Valve Manifold Bracket
9	1-421055	Check Valve Body
10	421071-2	Check Valve Assembly
11	05-51710	3/4" x 90° Street Elbow
12	05-51901	3/4" Pipe Plug
13	39-52198	5/16-18 x 1" Long Carriage Bolt
14	35-55132	5/16-18 x 5/8" Long M-F Flange Whiz Lock Screw
15	02-54752	5/16-18 M-F Flange Whiz Lock Nut
16	<u>For parts call out of Raceway Assembly see 72218.</u>	
17	<u>For parts call out of Outlet Adapter Assembly see 72276.</u>	

Reference for Tokheim internal use only:

319625	Raceway Assembly
319635	Trim Assembly

# 45" CHECK VALVE ASSEMBLY

(1st Design See Serial Break List 71144)

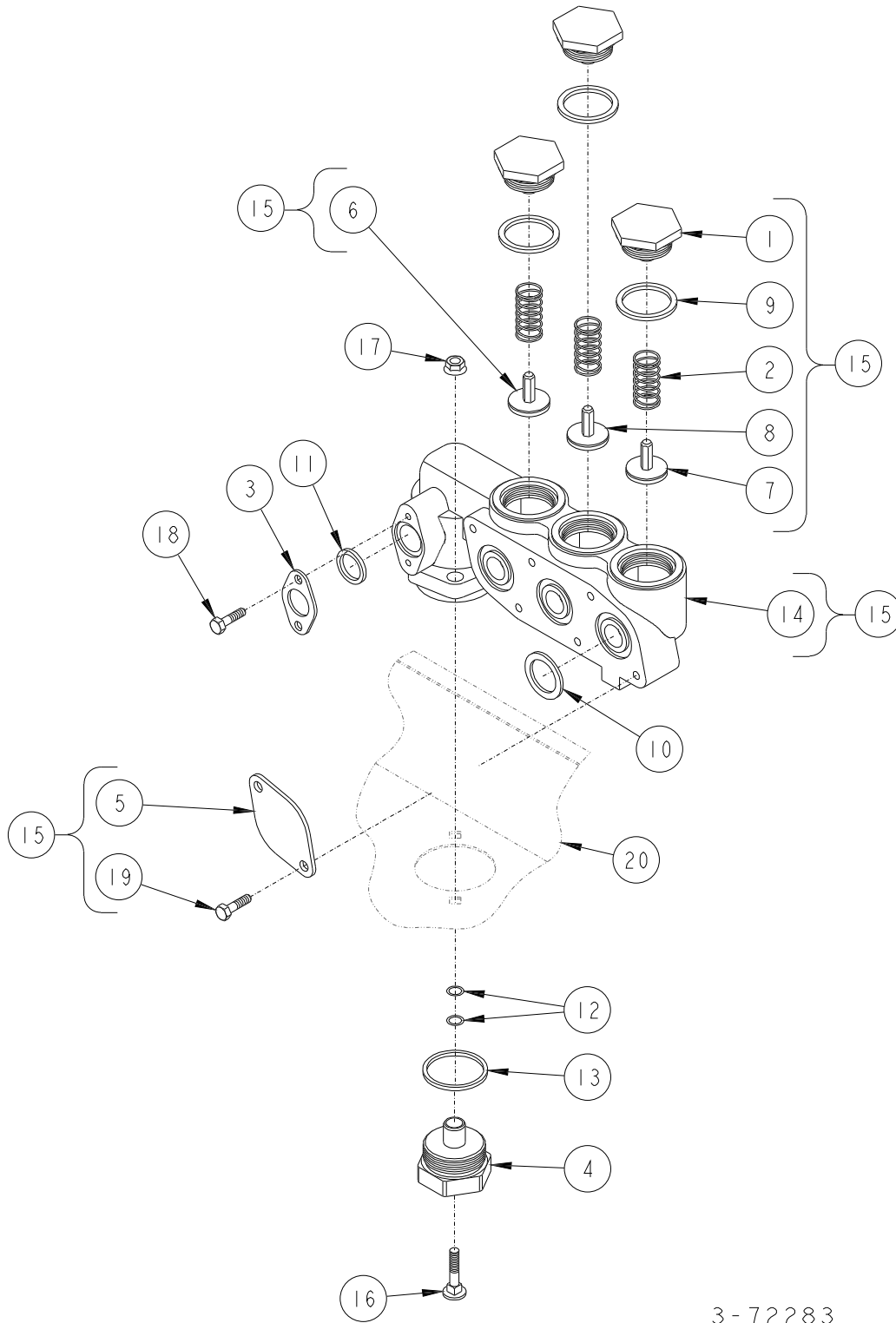


4-72278

**45" CHECK VALVE ASSEMBLY****(1st Design See Serial Break List 71144)**

ITEM NO.	PART NO.	DESCRIPTION	ITEM NO.	PART NO.	DESCRIPTION
1	1-120731	Check Valve Cap	14	05-51710	3/4" x 90° Inverted Flare Connector
2	1-120733	Poppet Spring	15	1-230993	90° Inverted Flare Connector
3	1-233636	Poppet Disc Assembly	16	<u>For parts call out of Raceway Assembly see 72218.</u>	
4	1-230994	Inverted Flare Connector	17	<u>For parts call out of Outlet Adapter Assembly see 72276.</u>	
5	6-313235	Gasket		<u>Reference for Tokheim internal use only:</u>	
6	1-319400	Check Valve Manifold Bracket	319395	Trim Assembly	
7	1-421055	Check Valve Body	319396	Raceway Assembly	
8	<u>Check Valve Assembly</u>				
	421071-1	H411B-R & H422B-R			
	421071-2	H413B-REB & H426B-REB			
9	39-52198	5/16-18 x 1" Long Carriage Bolt			
10	35-55132	5/16-18 x 5/8" Long M-F Flange Whiz Lock Screw			
11	02-54752	5/16-18 M-F Flange Whiz Lock Nut			
12	1-230994	Inverted Flare Connector (H411B-R & H422B-R)			
	05-51901	Pipe Plug (H413B-REB & H426B-REB)			
13	<u>Assembly</u>				
	1-233636	Poppet Disc (H411B-R & H422B-R)			
	1-233635	Valve (H413B-REB & H426B-REB)			

CHECK VALVE ASSEMBLY  
(2nd Design See Serial Break List 71144)



3-72283

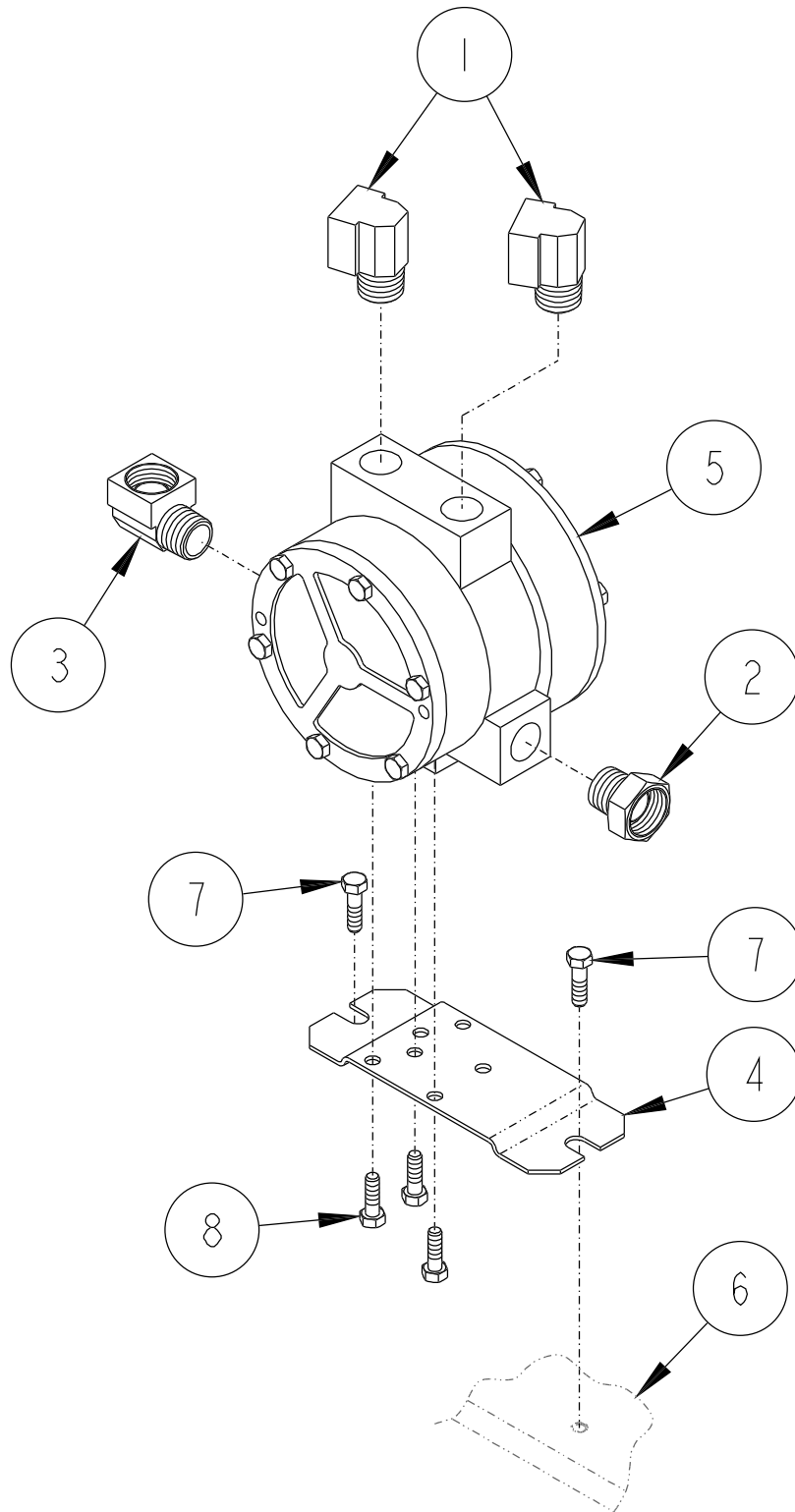
## CHECK VALVE ASSEMBLY

(2nd Design See Serial Break List 71144)

ITEM NO.	PART NO.	DESCRIPTION	ITEM NO.	PART NO.	DESCRIPTION
1	1-120731	Check Valve Cap		2-421514	H412B-R /RB3, H424B-R/RB3 Side "A" only)
2	1-120733	Poppet Spring			
3	1-132494	Vapor Flange (Vapor Recovery)			
	1-231836	Cap (Non Vapor Recovery)	15	<u>Check Valve Assembly</u>	
				421630-1	H411/H422B-R, H424B-R Side "B"
4	<u>Adapter</u>			421630-2	H311B/22B-RB3/5, H411/13/22/26B-REB, H424B-RB3 Side "B", H414/28B-REB
	1-227838	3/4" Non Swivel		421630-3	H412B-R & H424B-R Side "A"
	2-227838	1" Non Swivel		421630-4	H412B-RB3 & H424B-RB3 Side "A"
	1-232274	Flow Inverted (MaxVac)			
	55-51900	3/4" Pipe Plug (H412B-RB3 & H424B-RB3)	16	39-52198	5/16-18 x 1" Long Carriage Bolt
5	1-228345	Cap Manifold (Not used on H411/22B-R )	17	02-54752	5/16-18 M-F Flange Whiz Lock Nut
6	1-233636	Poppet Disc Assembly	18	05-55132	#1/4-20 x 1/2" Long M-F Flange Whiz Lock Screw
7	1-233636	Poppet Disc Assembly (H411B/12B/22B/24B-R Side "A" only)	19	35-55132	5/16-18 x 5/8" Long M-F Flange Whiz Lock Screw
8	1-233635	Valve Assembly (With Relief Valve)	20	<u>For parts call out of Raceway Assembly see 72218.</u>	
9	6-313235	Gasket			
10	13-313235	Gasket			
11	20-313235	Gasket			
12	11-318940	"O" Ring			
13	27-318940	"O" Ring			
14	<u>Outlet/Check Valve Manifold</u>				
	1-421514	All models except listed below			
					<u>Reference for Tokheim internal use only:</u>
				319742	45" Raceway Assembly
				319811	30" Raceway Assembly
				319924	45" Raceway Assy (Continued)

3-72283

# BLACKMER PUMP ASSEMBLY



3-72217

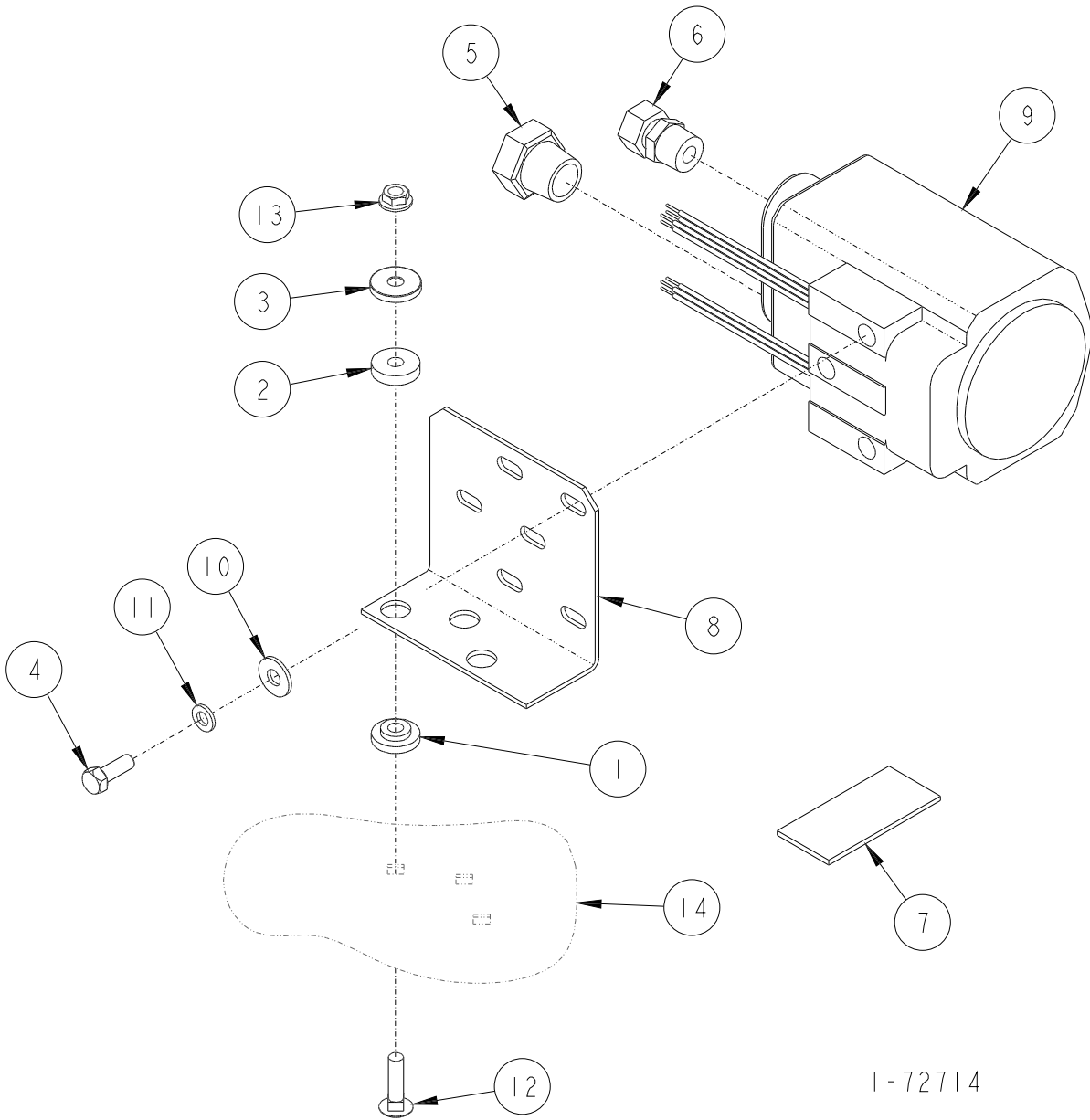
## BLACKMER PUMP ASSEMBLY

ITEM NO.	PART NO.	DESCRIPTION
1	1-230993	90° Inverted Flare Elbow
2	1-230994	Inverted Flare Connector
3	<u>Inverted Flare</u>	
	1-230993	90° Elbow (Left Mounted)
	1-230994	Connector (Center & Right Mounted)
4	1-319160	Pump Mounting Bracket
5	1-319168	Blackmer Pump (Not supplied by Tokheim)
6	420705-1	Pump Support Bracket Weld Assembly
7	35-55132	5/16-18 x 5/8" Long M-F Flange Whiz Lock Screw
8	<u>For parts call out of Raceway Assembly see 72218.</u>	

Reference for Tokheim internal use only:

319742      45" Raceway Assembly

MAXVAC PUMP ASSEMBLY  
(24" Wide Raceway)



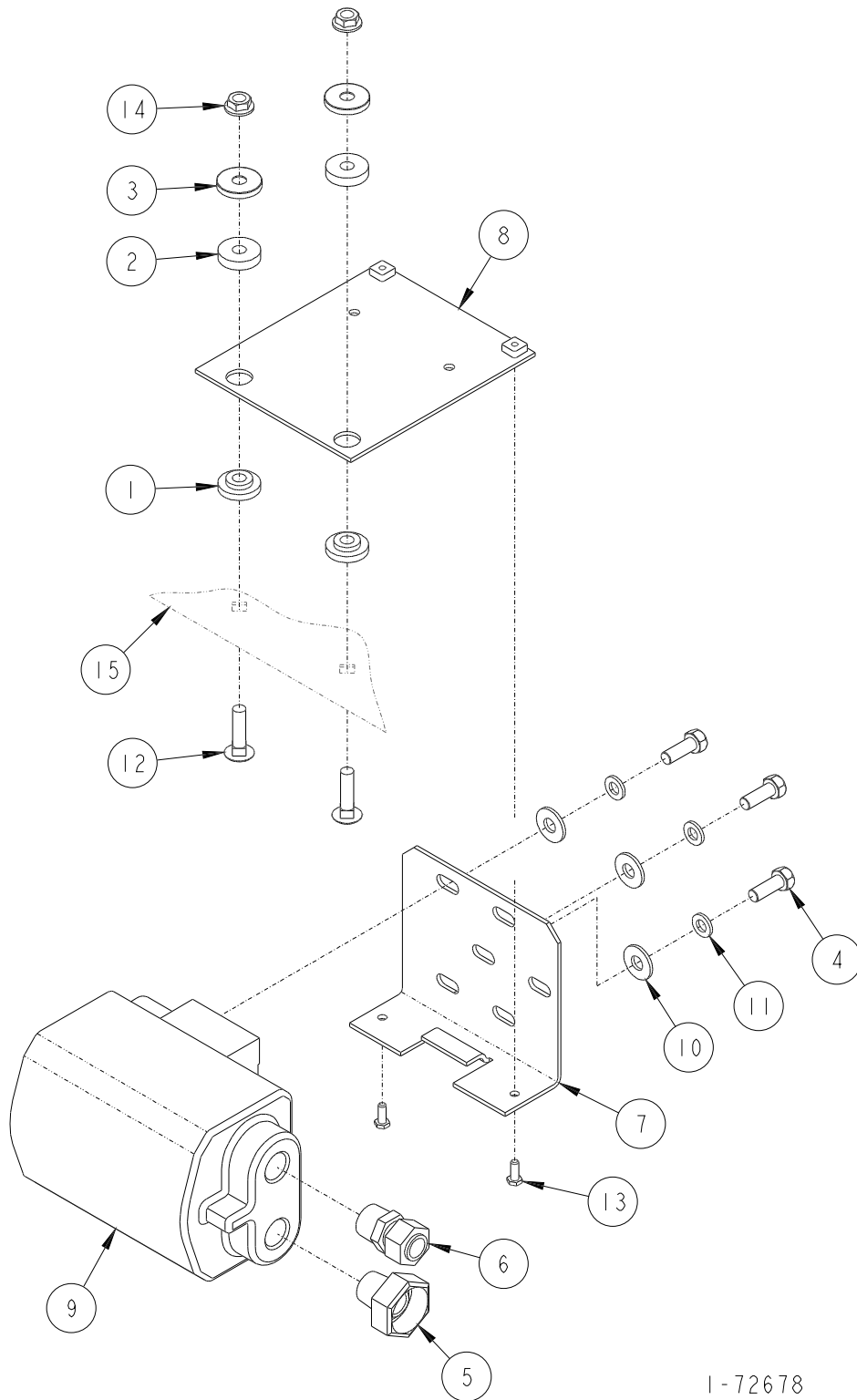
1-72714

## MAXVAC PUMP ASSEMBLY

### (24" Wide Raceway)

ITEM NO.	PART NO.	DESCRIPTION	ITEM NO.	PART NO.	DESCRIPTION
1	1-114468	Cushion Grommet	10	03-50611	5/16" Plate Washer
2	1-114469	Cushion Washer	11	14-50641	5/16" Lockwasher
3	1-114470	Cushion Retainer	12	39-52198	5/16-18 x 1" Long Carriage Bolt
4	1-132767	M8 x 20MM Long Hex Head Machine Screw	13	02-54752	5/16-18 M-F Flange Whiz Lock Nut
5	2-230994	Connector Inverted Flare	14	<u>For parts call out of Raceway Assembly see 72218.</u>	
6	<u>Connector Inverted Flare</u>		<u>Reference for Tokheim internal use only:</u>		
	2-230994	7/8" Tubing	319742	45" Raceway Assembly	
	4-319636	1/2" Tubing	319811	30" Raceway Assembly	
7	39-317638	Cushion (H412/24B-RB3 & H414/28B-REB)	319924	Raceway Assembly (Continued)	
8	<u>Pump Bracket</u>		1-72714		
	1-319643	All models except listed below			
	1-421694	H412/24B-RB3 & H414/28B-REB			
9	3-421736	Vacuum Pump			
	2-421736	Inlet Filter only			

MAXVAC PUMP ASSEMBLY  
(20" Wide Raceway)



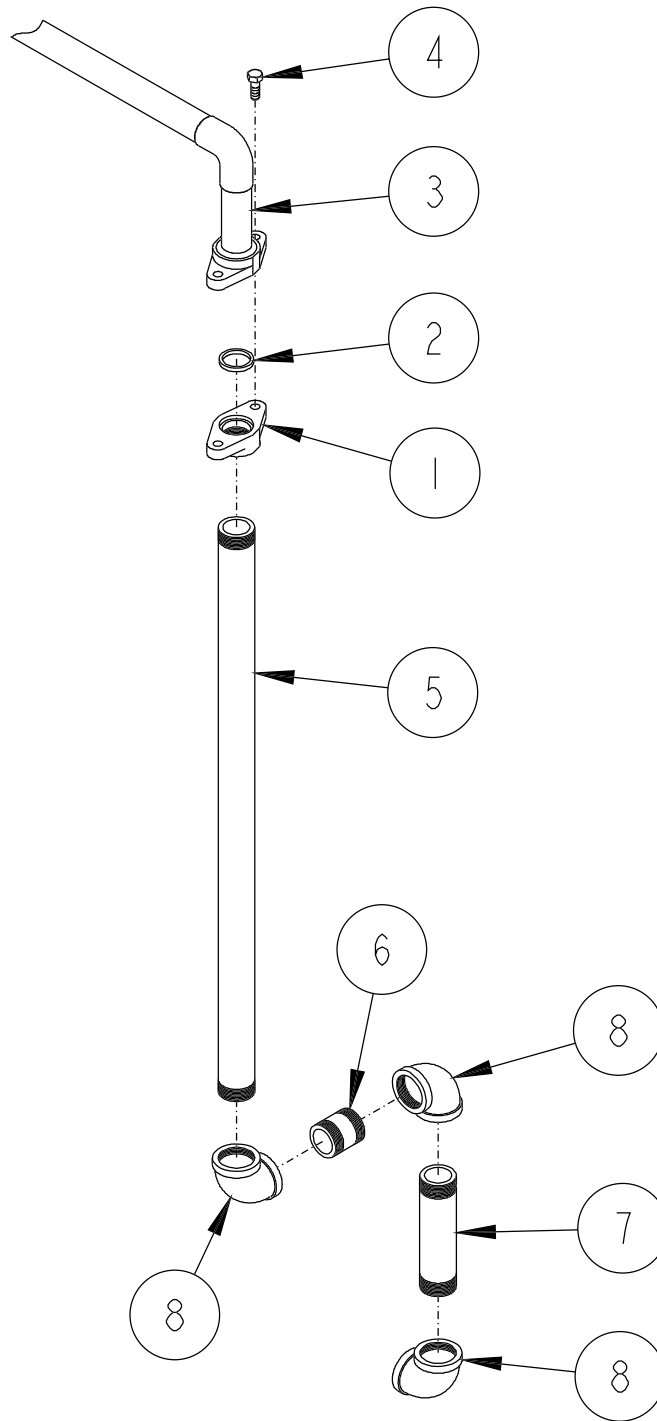
1-72678

## MAXVAC PUMP ASSEMBLY

### (20" Wide Raceway)

ITEM NO.	PART NO.	DESCRIPTION	ITEM NO.	PART NO.	DESCRIPTION
1	1-114468	Cushion Grommet	13		<u>For parts call out of Raceway Assembly see 72365.</u>
2	1-114469	Cushion Washer			
3	1-114470	Cushion Retainer			
4	1-132767	Special Screw (Metric)			<u>Reference for Tokheim internal use</u>
5	2-230994	Connector Inverted Flare			<u>only:</u>
6	<u>Connector Inverted Flare</u>		319742		Raceway Assembly
	2-230994	7/8" Tubing	319924		Raceway Assembly (Continued)
	4-319636	1/2" Tubing			1-72678
5	1-233576	Pump Mounting Bracket			
6	233577-1	Pump Mounting Plate Weld Assembly			
7	3-421736	Vacuum Pump			
8	03-50611	5/16" Plate Washer			
9	14-50641	5/16" Lockwasher			
10	39-52198	5/16-18 x 1" Long Carriage Bolt			
11	252-52851	#10-24 x 1/2" Long Hex Head Machine Screw			
12	02-54752	5/16-18 M-F Flange Whiz Lock Nut			

VAPOR RETURN LINE  
(H413B-R-VI & H426B-R-VI)



4-72216

## VAPOR RETURN LINE ASSEMBLY

### (H413B-R-V1 & H426B-R-V1)

ITEM NO.	PART NO.	DESCRIPTION
1	2-217867	Hose Flange
2	13-313235	Gasket
3	<u>Manifold Weld Assembly</u>	
	420559-13	H413B-R-V1
	420559-14	H426B-R-V1
4	35-50361	5/16-18 x 1" Long Hex Head Cap Screw
5	308-50510	1" x 72" Long Pipe
6	86-50560	1" x 2" Long Pipe Nipple
7	94-50560	1" x 6" Long Pipe Nipple
8	06-51700	1" x 90° Banded Elbow

For complete Vapor Return Line Assembly order: 319208-2

Reference for Tokheim internal use only:

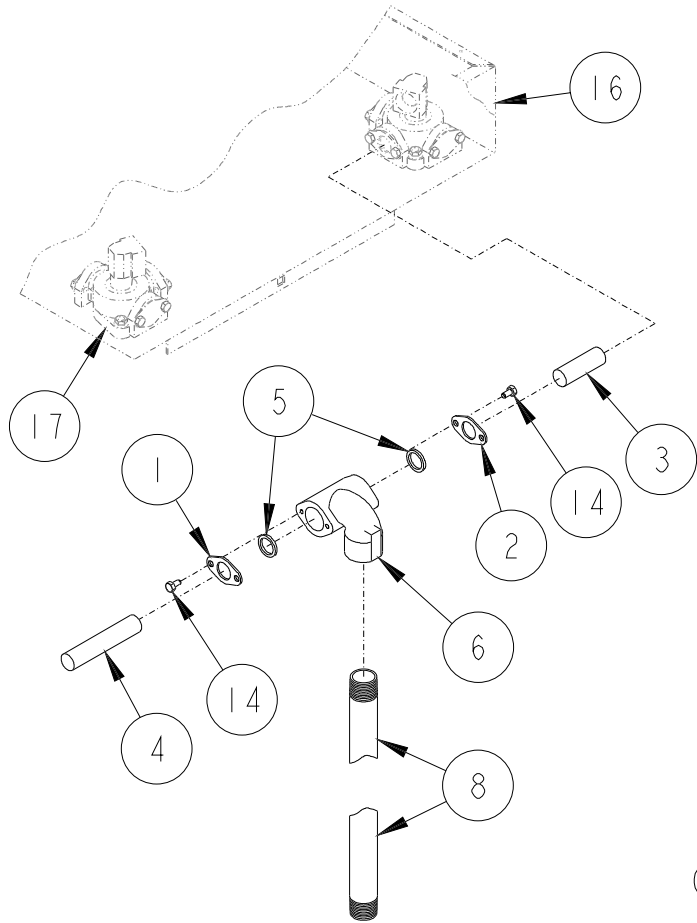
319742	Raceway Assembly
319743	Trim Assembly
319924	Raceway Assembly (Continued)

# VAPOR RETURN LINE ASSEMBLY

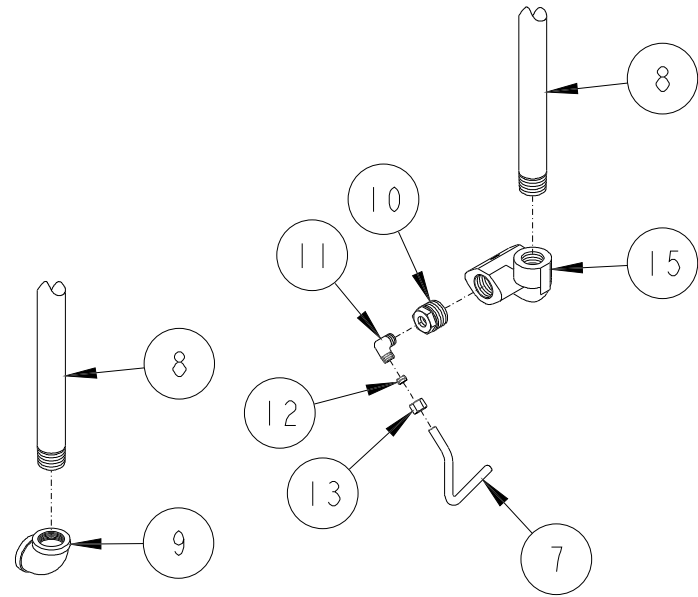
(24" Wide Raceway)

(All models except H413B-R-VI & H426B-R-VI)

(1st Design See Serial Break List 71144)



For parts callout of  
Discharge Clamp Assy.  
see dwg. no. 72214.



(REMOTE CONTROL)

(SUCTION ONLY)

3-72277

## VAPOR RETURN LINE ASSEMBLY (24" Wide Raceway)

(All Models Except H413B-R-V1 & H426B-R-V1)

(1st Design See Serial Break List 71144)

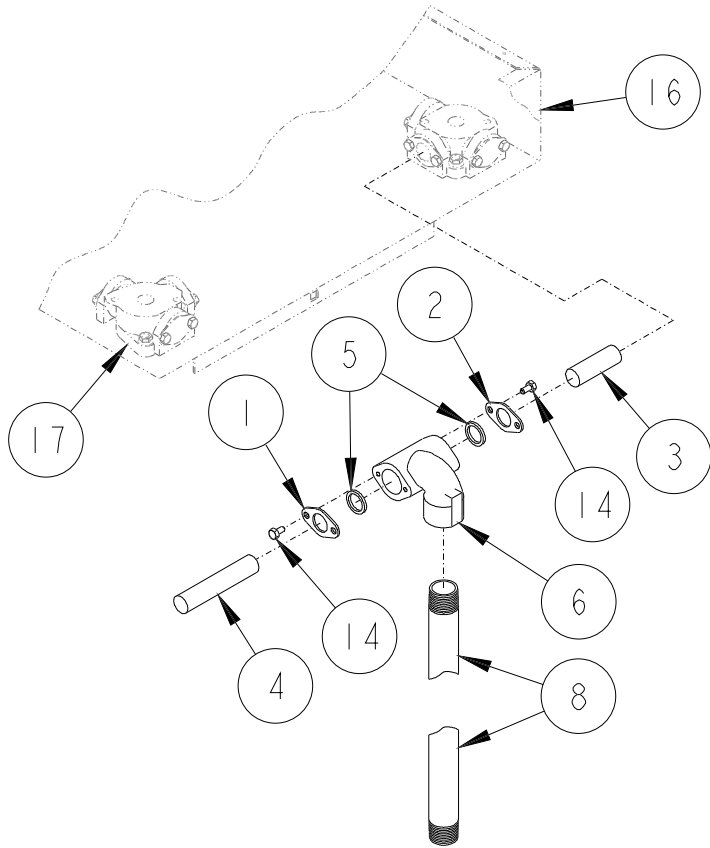
ITEM NO.	PART NO.	DESCRIPTION	ITEM NO.	PART NO.	DESCRIPTION
1	1-132494	Vapor Flange (All models except with MaxVac)	13	14-52040	Compression Nut
	1-231836	Cap (MaxVac only)	14	05-55132	1/4-20 x 5/8" Long M-F Flange Whiz Lock Screw
2	<u>Vapor</u>		15	<u>Offset Tee</u>	
	1-132494	Flange (Two sided pump)		1-319405	Remote Control System
	1-231836	Cap (One sided pump & MaxVac)		2-319405	Suction System
3	65-230486	Vapor Tube (H324B, H426B & H428B) (Not used with MaxVac)	16	<u>For parts call out of Raceway Assembly see 72218.</u>	
4	66-230486	Vapor Tube (Not used with MaxVac)	17	<u>For parts call out of Outlet Adapter Assembly see 72276.</u>	
5	20-313235	Gasket	<u>Reference for Tokheim internal use only:</u>		
6	1-319405	Offset Tee	319395	45" Trim Assembly	
7	1-319602	Vapor Vent Tube	319396	45" Raceway Assembly	
8	307-50510	1" x 83-1/2" Long Pipe	319625	30" Raceway Assembly	
9	06-51700	90° Banded Elbow	319635	30" Trim Assembly	
10	14-51851	1" x 1/4" Hex Bushing (Interim Vapor)			
	06-51900	1" Pipe Plug (Vapor)			
11	05-52020	Compression Elbow			
12	05-52040	Compression Sleeve			

# VAPOR RETURN LINE ASSEMBLY

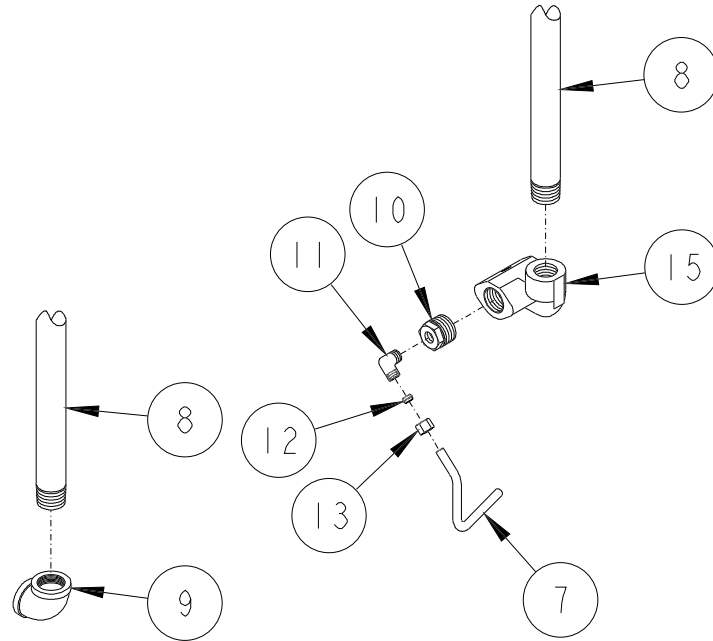
(24" Wide Raceway)

(All models except H413B-R-VI & H426B-R-VI)

(2nd Design See Serial Break List 71144)



For parts callout of  
Discharge Clamp Assy.  
see dwg. no. 72214.



(REMOTE CONTROL)

(SUCTION ONLY)

2-72282

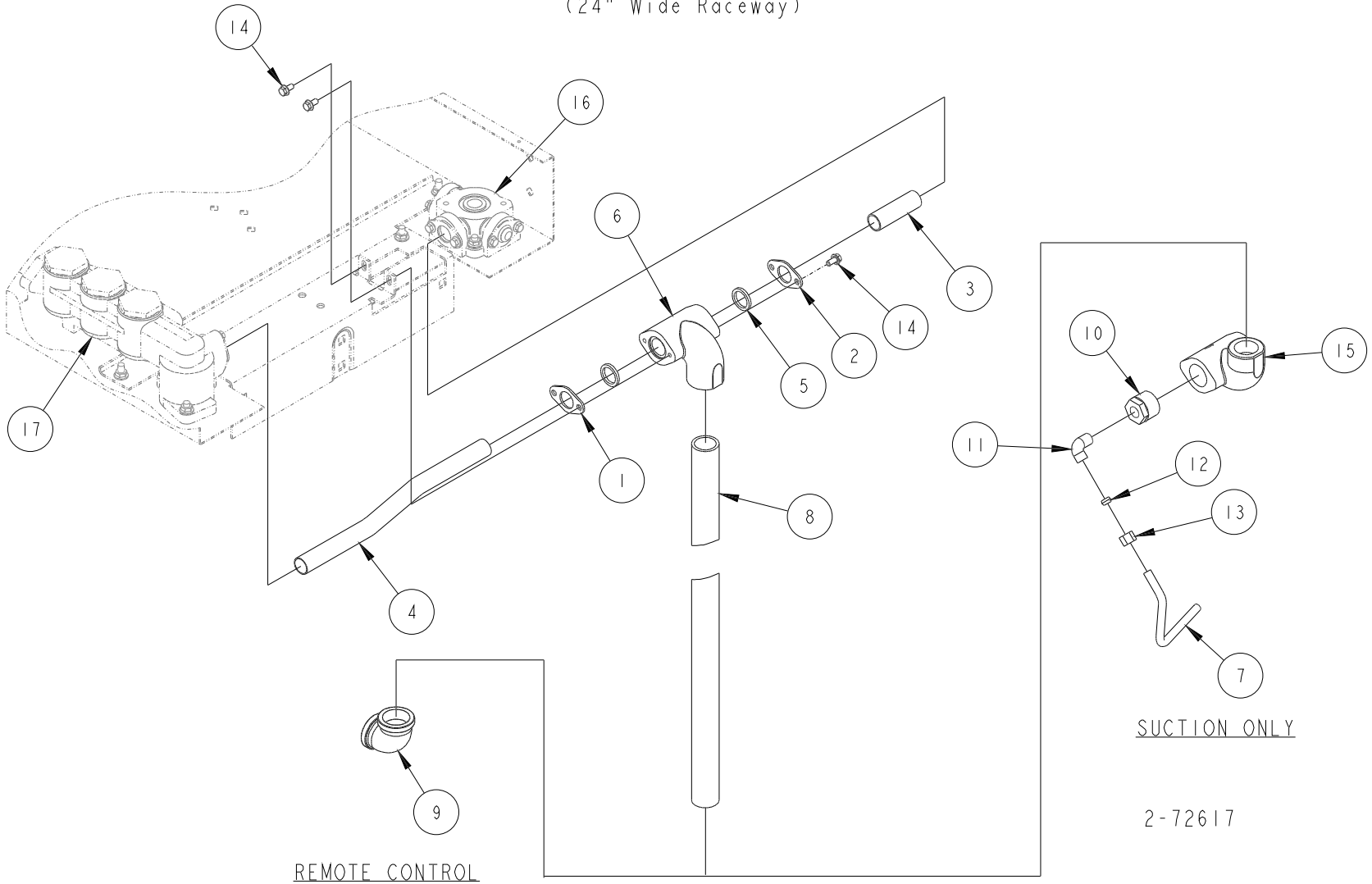
## VAPOR RETURN LINE ASSEMBLY (24" Wide Raceway)

(All Models Except H413B-R-V1 & H426B-R-V1)

(2nd Design See Serial Break List 71144)

ITEM NO.	PART NO.	DESCRIPTION	ITEM NO.	PART NO.	DESCRIPTION
1	1-132494	Vapor Flange	10	14-51851	1" x 1/4" Hex Bushing (Interim Vapor)
2	<u>Vapor</u>			06-51900	1" Pipe Plug (Vapor)
	1-132494	Flange (Two sided pump)	11	05-52020	Compression Elbow
	1-231836	Cap (One sided pump)	12	05-52040	Compression Sleeve
3	65-230486	Vapor Tube (H324B, H426B & H428B) (Not used with MaxVac)	13	14-52040	Compression Nut
4	<u>Vapor Tube</u>		14	05-55132	1/4-20 x 5/8" Long M-F Flange Whiz Lock Screw
	66-230486	All Model Except Listed Below (Not used with MaxVac)	15	<u>Offset Tee</u>	
	1-319739	H311/22B-RB3/5, H411/22B-R & H411/22B-REB		1-319405	Remote Control System
5	20-313235	Gasket		2-319405	Suction System
6	1-319405	Offset Tee	16	<u>For parts call out of Raceway Assembly see 72218.</u>	
7	1-319602	Vapor Vent Tube	17	<u>For parts call out of Outlet Adapter Assembly see 72280.</u>	
8	307-50510	1" x 83-1/2" Long Pipe	<u>Reference for Tokheim internal use only:</u>		
9	06-51700	90° Banded Elbow	319742	45" Raceway Assembly	
			319743	45" Trim Assembly	
			319811	30" Raceway Assembly	
			319821	30" Trim Assembly	

VAPOR RETURN LINE ASSEMBLY  
(24" Wide Raceway)



REMOTE CONTROL

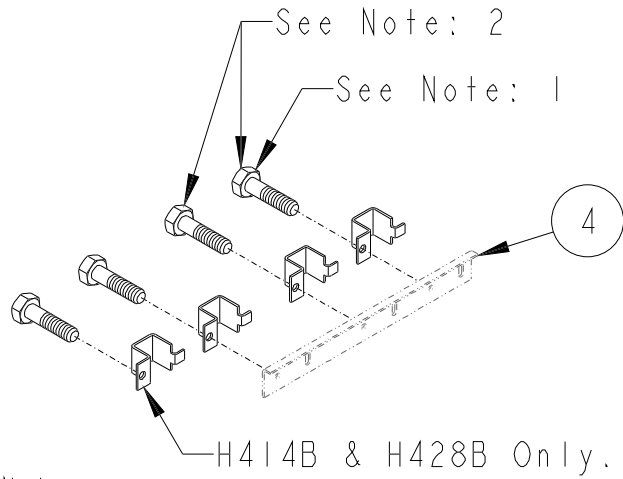
SUCTION ONLY

2-72617

## VAPOR RETURN LINE ASSEMBLY (24" Wide Raceway)

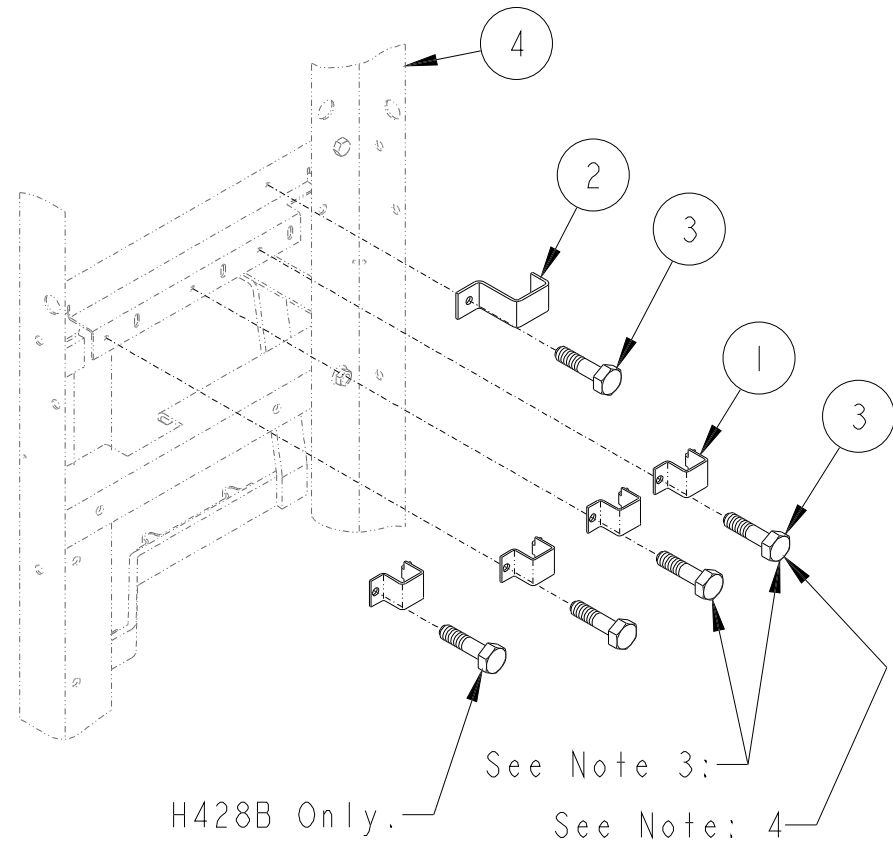
ITEM NO.	PART NO.	DESCRIPTION	ITEM NO.	PART NO.	DESCRIPTION
1	1-132494	Vapor Flange	14	05-55132	1/4-20 x 5/8" Long M-F Flange Whiz Lock Screw
2	<u>Vapor</u>		15	2-319405	Offset Tee
	1-132494	Flange (Two sided pump)	16	<u>For parts call out of Outlet Adapter Assembly see 72280.</u>	
	1-231836	Cap (One sided pump)	17	<u>For parts call out of Check Valve Assembly see 72283.</u>	
3	65-230486	Vapor Tube (H322B-RB3/5, H422B-R/REB & H424B-RB3-TR) (Not used with MaxVac)	18	<u>For parts call out of Raceway Assembly see 72218.</u>	
4	1-319739	Vapor Tube	<u>Reference for Tokheim internal use only:</u>		
5	20-313235	Gasket	319742	45" Raceway Assembly	
6	1-319405	Offset Tee	319743	45" Trim Assembly	
7	1-319602	Vapor Vent Tube	319811	30" Raceway Assembly	
8	307-50510	1" x 83-1/2" Long Pipe	319821	30" Trim Assembly	
9	06-51700	90° Banded Elbow			2-72617
10	14-51851	1" x 1/4" Hex Bushing (Interim Vapor)			
	06-51900	1" Pipe Plug (Vapor)			
11	05-52020	Compression Elbow			
12	05-52040	Compression Sleeve			
13	14-52040	Compression Nut			

# DISCHARGE CLAMP ASSEMBLY



Note:

- 1) Discharge Tube Clamps are not used in these areas for models H411B & H413B.
- 2) Discharge Tube Clamps are not used in these areas for models H311B, H312B, H413B-R-VI & H414B.
- 3) Discharge Tube Clamps are not used in these areas for models H311B, H312B, H322B, 411B, H413B & H414B.
- 4) Discharge Tube Clamps are not used in these areas for models H413B-R-VI.



2-72214

## DISCHARGE CLAMP ASSEMBLY

ITEM PART  
NO. NO.

DESCRIPTION

- | ITEM NO. | PART NO.   | DESCRIPTION  |
|----------|--|--|
| 1        | 1-231855   | Discharge Tube Clamp (1st Design only)                 |
| 2        | 1-231856   | Discharge Tube Bracket                                 |
| 3        | 10-51491   | #14 x 1/2" Long P.K. Self Tapping Screw                |
| 4        | <u>For parts call out of Chassis Assembly see:</u> |  |
|          | 741534   | H411B, H413B, H422B & H426B (1st Design)               |
|          | 741562   | H414B & H428B (1st Design)                             |
|          | 741567   | H311B, H312B, H322B & H324B (1st Design)               |
|          | 741593   | H411B, H413B, H422B, H426B, H722B & H724B (2nd Design) |
|          | 741595   | H414B, H412B, H424B & H428B (2nd Design)               |
|          | 741597   | H311B, H312B, H322B & H324B (2nd Design)               |

Reference for Tokheim internal use only:

- |        |                                |
|--------|--------------------------------|
| 319395 | 45" Trim Assembly (1st Design) |
| 319635 | 30" Trim Assembly (1st Design) |
| 319743 | 45" Trim Assembly (2nd Design) |
| 319821 | 30" Trim Assembly (2nd Design) |

**7/8" MaxVac Tubing (24" Wide Raceway)**

1st Design See Serial Break List 71144.

Vapor Inlet Tube Assembly

319590-1	H413/14/26/28B-R
319623-1	H311/12B-R, H311/22B-RB3/5, H322B-R (Side "A"), H324B-R
319780-1	H322B-R (Side "B")
421234-1	H411/22B-R

Vapor Outlet Tube Assembly

232319-1	H311/12B-R, H311B-RB3/5, H322/24B-R (Side "B"), H322B-RB3/5 (Side "B")
319653-1	H411/22B-R (Side "A")
319655-1	H426/28B-R (Side "B")
319660-1	H422B-R (Side "B")
319756-1	H322/24B-R (Side "A"), H322B-RB3/5 (Side "A")
421442-1	H413/14B-R, H426/28B-R (Side "A")

2nd Design See Serial Break List 71144.

Vapor Inlet Tube Assembly

319590-1	H413/14/26/28B-R
319590-2	H311/12B-R, H322B-R (Side "A"), H324B-R
319737-1	H411/22B-R/RB3 Side "A")
319802-1	H311B-RB3/5, H322B-RB3/5 (Side "A")
319855-1	H322B-R (Side "B")
319898-1	H412B-R/RB3, H424B-R/RB3 (Side "A")
319898-2	H424B-R/RB3 (Side "B")
319921-1	H414/28B-REB
421636-1	H413/26B-REB

Vapor Outlet Tube Assembly

319655-1	H312B-R, H322/24B-R (Side "B"), H322B- RB3/5 (Side "B"), H426/28B-R (Side "B"), H426B-REB (Side "B")
319660-1	H422B-R/RB3 (Side "B")
319800-1	H311/12B-R, H322/24B-R (Side "A"), H311B-RB3/5, H322B-RB3/5 (Side "A")
319900-1	424B-R/RB3 (Side "B"), H428B-REB (Side "B")
319923-1	H414B-REB, H428B-REB (Side "A"), H412B- R/RB3, H424B-R/RB3 (Side "A")
421829-1	H413/14B-R, H426/28B-R (Side "A"), H411B- R/RB3, H422B-R/RB3 (Side "A"), H413B- REB, H426B-REB (Side "A")