

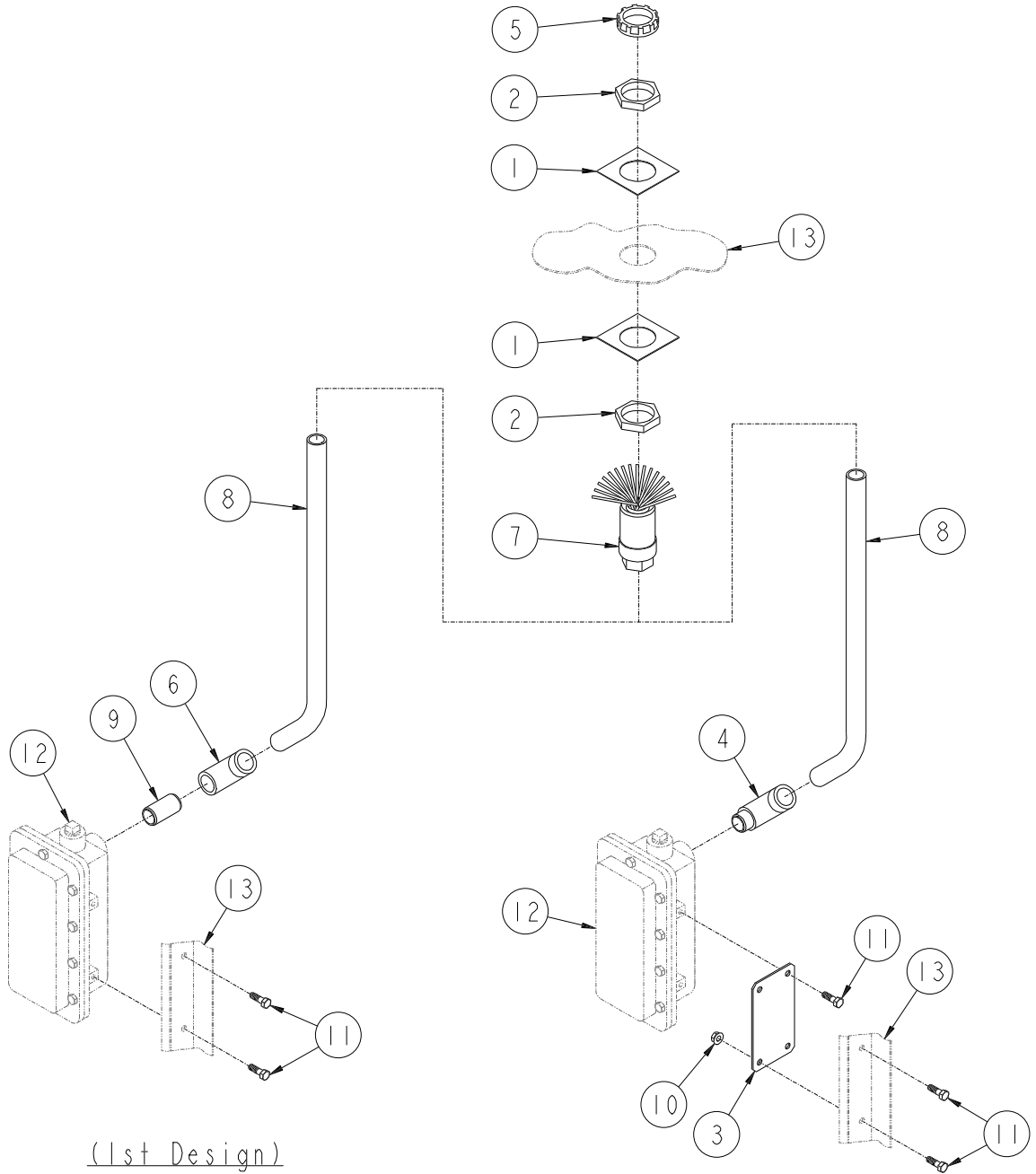
Section Five

Premier Parts Manual • H Models

Connection Box Assemblies

	Page Number
Conduit & Connection Box Assembly	
H311B/H312B/H322B/H324B-R & H411B/H413B/H422B/H426B-R & H722B-R & H724B-R	5-2, 5-3
H311B/H312B/H322B/H324B-S & H411B/H413B/H422B/H426B-S & H722B-S & H724B-S	5-4, 5-5
H414B-R & H428B-R	5-6, 5-7
Connection Box Assembly	5-8, 5-9
Speaker Connection Box Assembly	5-10, 5-11
Relay Box Assembly	
H311B-S & H322B-S & H722B-S (Serial No. 020618 and Below)	5-12, 5-13
H311B-S & H322B-S & H722B-S (Serial No. 020619 and Above)	5-14, 5-15
H312B-S & H324B-S & H724B-S (Serial No. 020618 and Below)	5-16, 5-17
H312B-S & H324B-S & H724B-S (Serial No. 020619 and Above)	5-18, 5-19
H413B-S, H426B-S (Serial No. 020618 and Below)	5-20, 5-21
H413B-S, H426B-S (Serial No. 020619 and Above)	5-22, 5-23
Barrier Conduit Assembly	5-24, 5-25
Buzzer Assembly (Annunciator)	5-26, 5-27

CONDUIT & CONNECTION BOX ASSEMBLY
REMOTE CONTROL SYSTEM
 (H311/12/22/24B, H411/13/22/26B & H722/24B)



(1st Design)
 (See Serial Break List 71144)

(2nd Design)
 (See Serial Break List 71144)

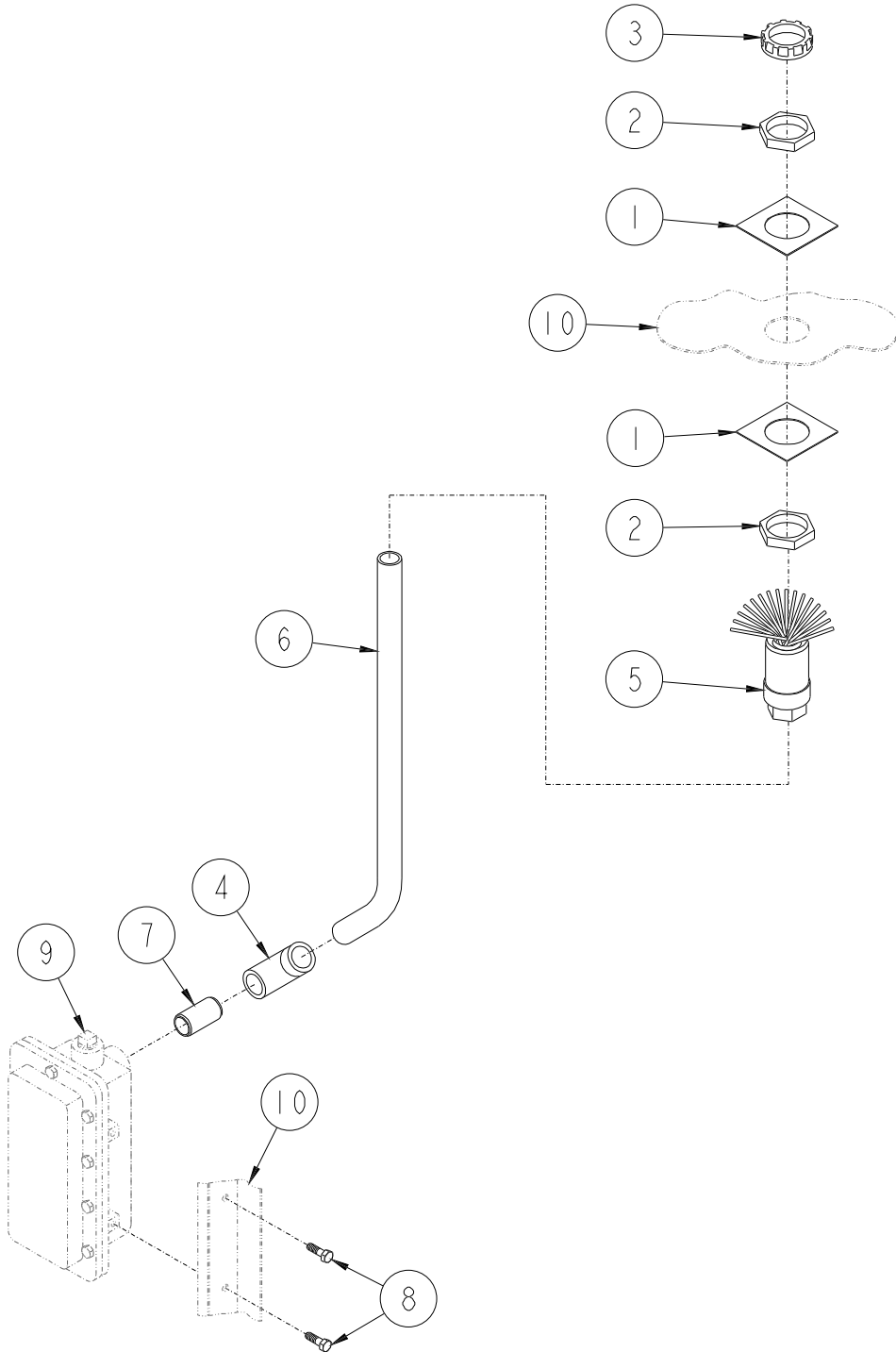
2-73900

CONDUIT & CONNECTION BOX ASSEMBLY REMOTE CONTROL SYSTEM

(H311B/H312B/H322B/H324B & H411B/H413B/H422B/H426B & H722B/H724B)

ITEM NO.	PART NO.	DESCRIPTION	ITEM NO.	PART NO.	DESCRIPTION
1	1-132705	Conduit Washer	<u>For complete Connection Box Assembly order:</u> <u>(1st Design see Serial Break List 71144)</u> 421103-1 H411/13/22/26B 421103-3 H411/13/22/26B-REB 421103-4 H311/12/22/24B <u>(2nd Design see Serial Break List 71144)</u> 421103-5 H411/13/22/26B (2nd Design) 421103-6 H411/13/22/26B-REB (2nd Design) 421103-7 H311/12/22/24B (2nd Design)		
2	1-132706	Hex Locknut			
3	1-232328	Mounting Bracket			
4	1-232329	90° Short Conduit Elbow			
5	1-231865	Conduit Bushing			
6	1-231867	3/4" x 90° Conduit Elbow			
7	<u>Wire Harness Assembly</u>				
	319535-1	H411/13/22/26B-R			
	319535-3	H411/13/22/26B-REB			
	319535-4	H311/12/22/24B-R			
8	<u>Conduit</u>				
	1-319611	45"			
	1-421456	30"			
9	16-50710	3/4" x 2" Long Conduit Nipple	2-73900		
10	02-54752	5/16-18 M-F Flange Whiz Lock Nut			
11	35-55132	5/16-18 x 5/8" Long M-F Flange Hex Head Whiz Lock Screw			
12	<u>For parts call out of Connection Box Assembly see 73824.</u>				
13	<u>For parts call out of Chassis Assy. see:</u>				
	741534	45" (1st Design)			
	741567	30" (1st Design)			
	741593	45" (2nd Design)			
	741597	30" (2nd Design)			

CONDUIT & CONNECTION BOX ASSEMBLY
SUCTION SYSTEM
(H311/12/22/24B, H411/13/22/26B, H722/24B)



2-73902

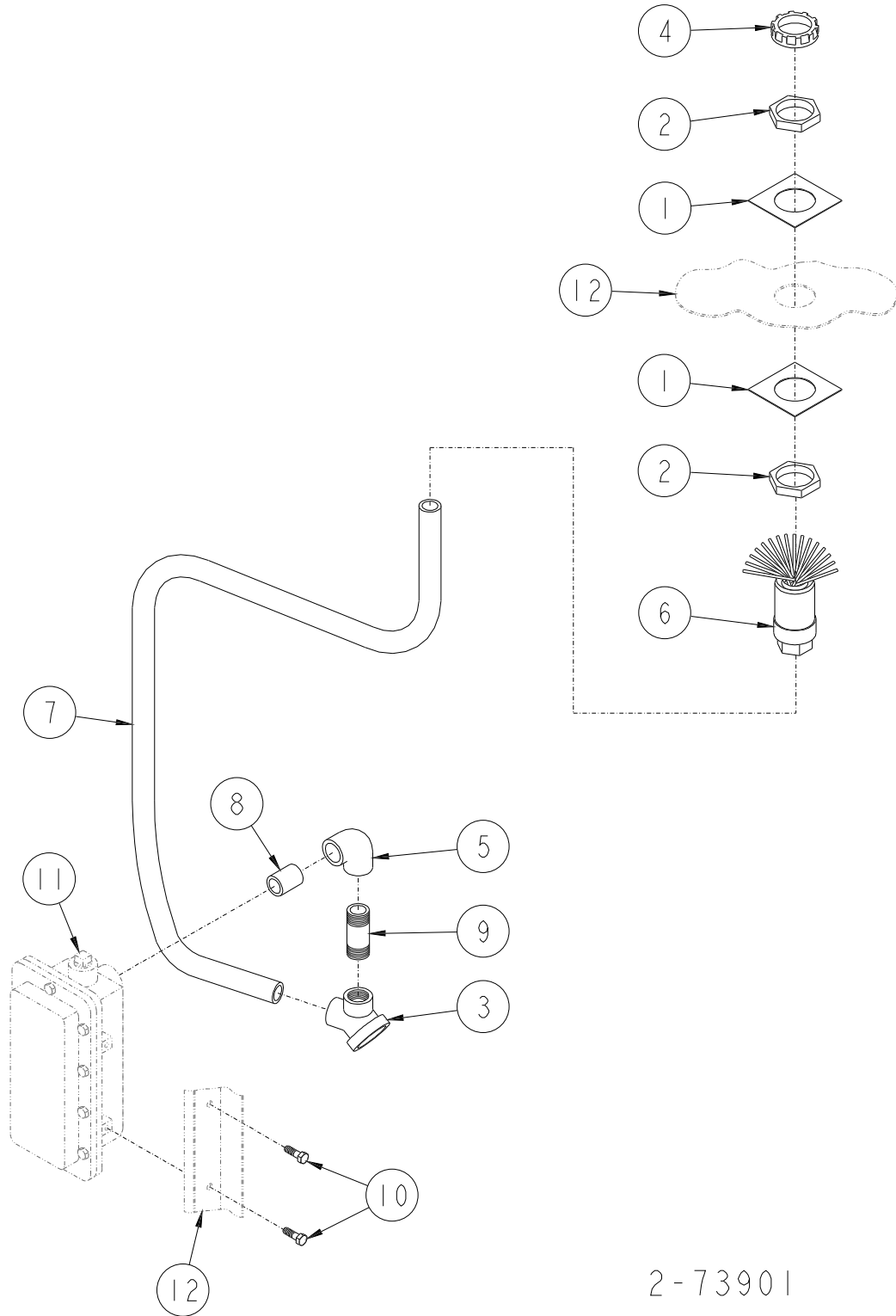
CONDUIT & CONNECTION BOX ASSEMBLY SUCTION SYSTEM

(H311B/H312B/H322B/H324B & H411B/H413B/H422B/H426B & H722B/H724B)

ITEM NO.	PART NO.	DESCRIPTION
1	1-132705	Conduit Washer
2	1-132706	Hex Locknut
3	1-231865	Conduit Bushing
4	1-231867	3/4" x 90° Conduit Elbow
5	<u>Wire Harness Assembly</u>	
	319535-1	H411/13/22/26B-S
	319535-4	H311/12/22/24B-S
6	<u>Conduit</u>	
	1-319611	45"
	1-421456	30"
7	16-50710	3/4" x 2" Long Conduit Nipple
8	35-55132	5/16-18 x 5/8" Long M-F Flange Hex Head Whiz Lock Screw
9	<u>For parts call out of Connection Box Assembly see 73824.</u>	
10	<u>For parts call out of Chassis Assembly see:</u>	
	741534	45" (1st Design)
	741567	30" (1st Design)
	741593	45" (2nd Design)
	741597	30" (2nd Design)
	<u>For complete Connection Box Assembly order:</u>	
	421103-1	H411/13/22/26B-S
	421103-4	H311/12/22/24B-S
	<u>Reference for Tokheim internal use only: Chassis Assembly</u>	
	319394	45"
	319619	30"

CONDUIT & CONNECTION BOX ASSEMBLY

REMOTE CONTROL SYSTEM (H414B-R & H428B-R)



2-73901

CONDUIT & CONNECTION BOX ASSEMBLY
REMOTE CONTROL SYSTEM
(H414B-R & H428B-R)

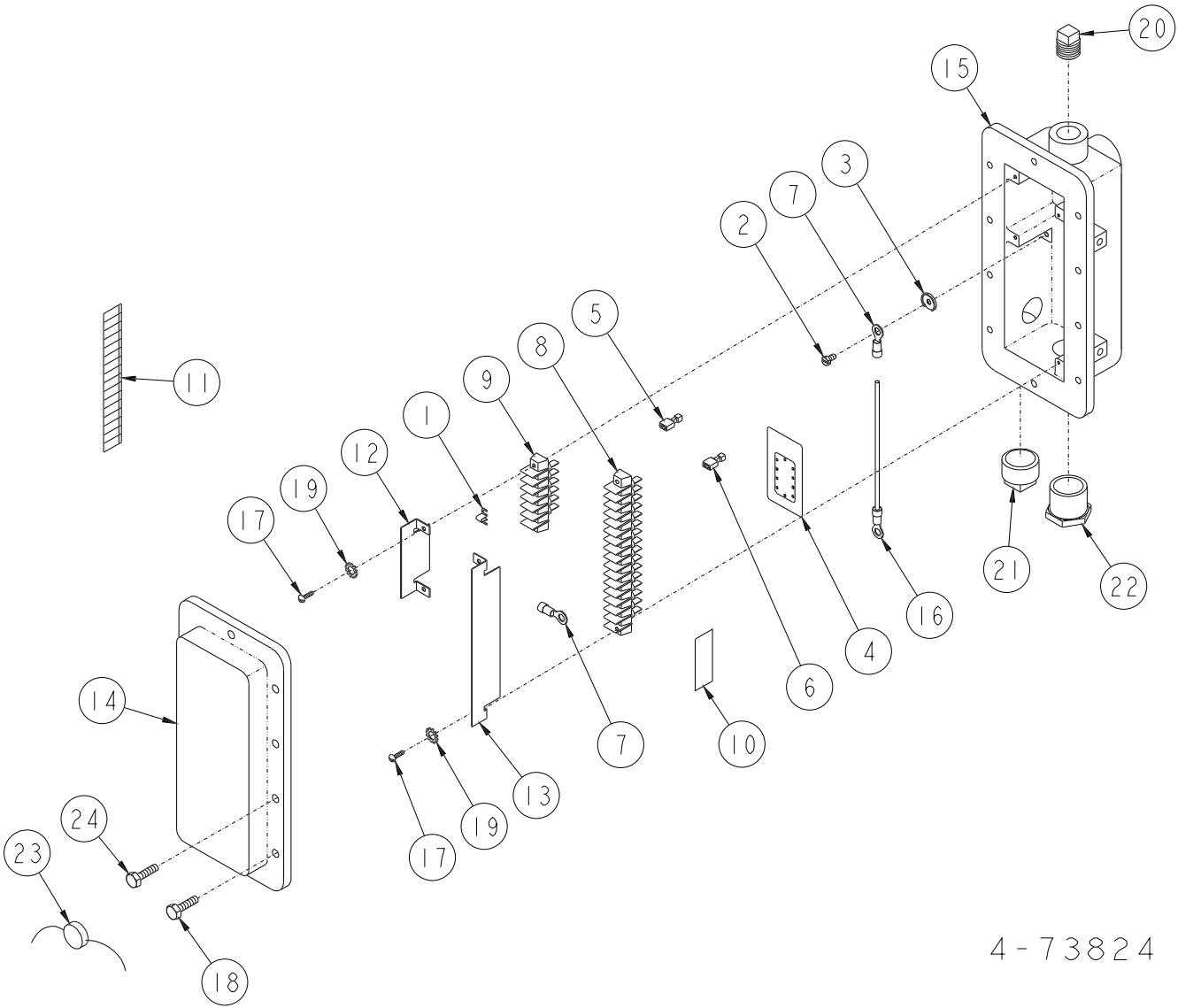
ITEM NO.	PART NO.	DESCRIPTION
1	1-132705	Conduit Washer
2	1-132706	Hex Locknut
3	2-226384	90° Pull Elbow
4	1-231865	Conduit Bushing
5	1-231867	3/4" x 90° Conduit Elbow
6	319535-2	Wire Harness Assembly
7	1-421243	Conduit
8	02-50710	3/4" x 1-3/8" Long Conduit Nipple
9	21-50710	3/4" x 2-1/2" Long Conduit Nipple
10	35-55132	5/16-18 x 5/8" Long M-F Flange Hex Head Whiz Lock Screw
11	<u>For parts call out of Connection Box Assembly see 73824.</u>	
12	<u>For parts call out of Chassis Assembly see:</u>	
	741562	45" (1st Design)
	741595	45" (2nd Design)

For complete Connection Box Assembly order:

421103-2 H414B-R & H428B-R

Reference for Tokheim internal use only: Chassis Assembly: 319394 & 319741

CONNECTION BOX ASSEMBLY



4-73824

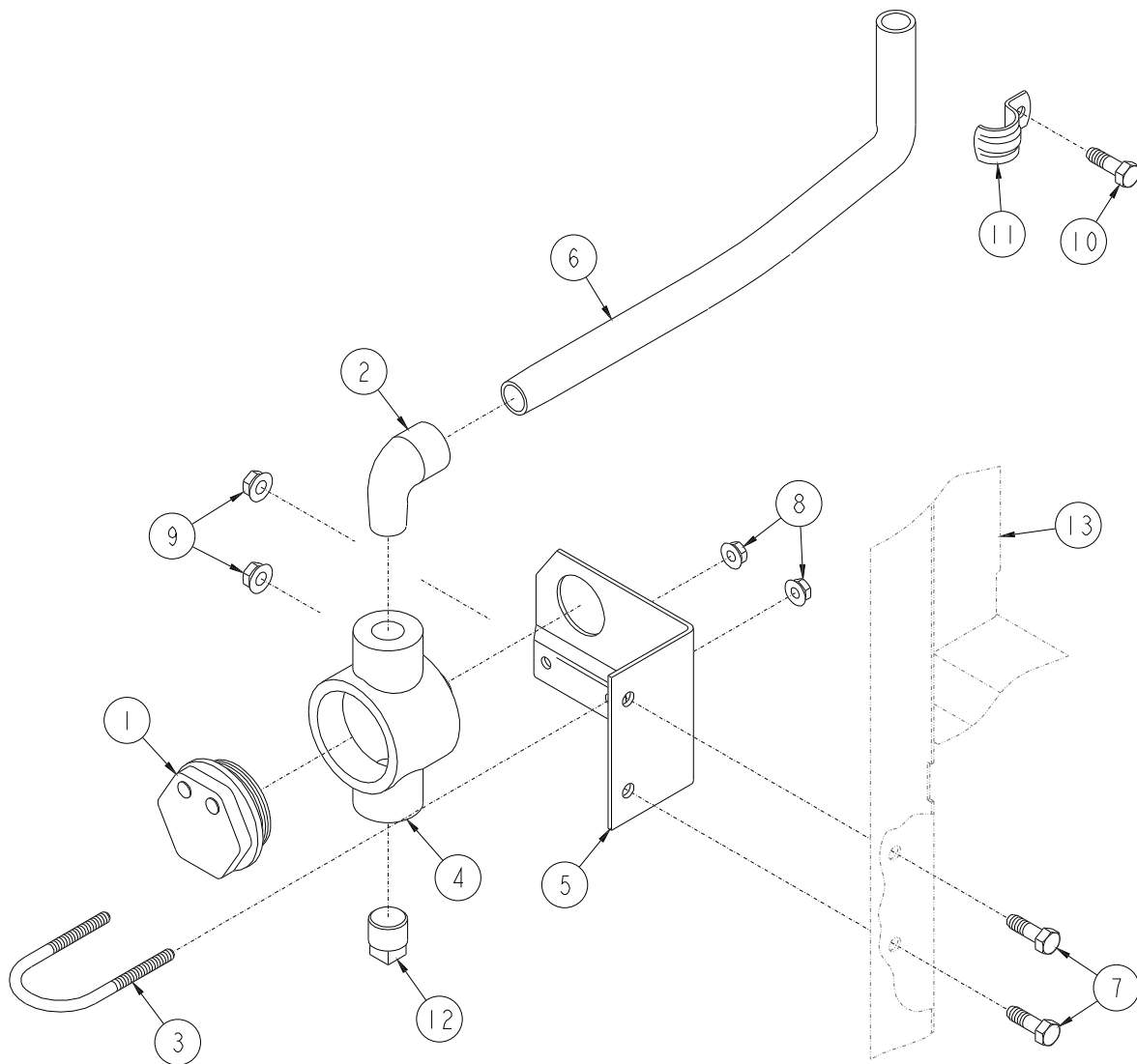
CONNECTION BOX ASSEMBLY

PREMIER Parts Manual • H Models
Form 4814A, Version 5.0 July 1996 Rev. 2/26/99

Tokheim Corporation
5-9

ITEM NO.	PART NO.	DESCRIPTION	ITEM NO.	PART NO.	DESCRIPTION
1	1-131002	Jumper	<u>For complete Connection Box Assembly order:</u>		
2	1-131270	Special Screw	421103-2		H414B-R & H428B-R
3	1-131322	Cup Washer	<u>(1st Design - see Serial Break List 71144)</u>		
4	1-132761	Label	421103-1		H411/12/22/26B
5	3-224492	16-22 Gage Wire Connector	421103-3		H411/13/22/26B-REB
6	6-224492	14-16 Gage Wire Connector	421103-4		H311/12/22/24B
7	2-224494	#10 Ring Terminal	<u>(2nd Design - see Serial Break List 71144)</u>		
8	1-227938	Terminal Strip	421103-5		H411/12/22/26B
9	2-227938	Terminal Strip	421103-6		H411/13/22/26B-REB
10	7-228397	Label	421103-7		H311/12/22/24B
11	8-228397	Label	<u>Reference for Tokheim internal use only: Chassis Assembly</u>		
12	1-231864	Insulator	<u>(see Serial Break List 71144)</u>		
13	1-317834	Insulator	319394		45" (1st Design)
14	1-417378	Connection Box Cover	319619		30" (1st Design)
15	3-418048	Connection Box	319740		45" (2nd Design)
16	420165-56	Lead Assembly	319810		30" (2nd Design)
17	92-50021	#6-32 x 3/8" Long Phillips Round Head Machine Screw	<i>4-73824</i>		
18	03-50361	1/4-20 x 1" Long Hex Head Cap Screw			
19	03-50761	#6 Shakeproof Lockwasher			
20	<u>1/2" Pipe Plug for Assembly 3-73824</u>				
	4-51901	H413B-REB & H426B-REB			
	54-51901	H414B-R & H428B-R			
21	06-51901	1" Pipe Plug			
22	12-51851	1" x 1/2" Hex Bushing			
23	1-131438	Seal Wire & Seal (6" Long)(Brazil)			
24	1-129513	1/4-20 x 3/4" Long Hex Head Seal Screw (Brazil)			

SPEAKER CONNECTION BOX ASSEMBLY

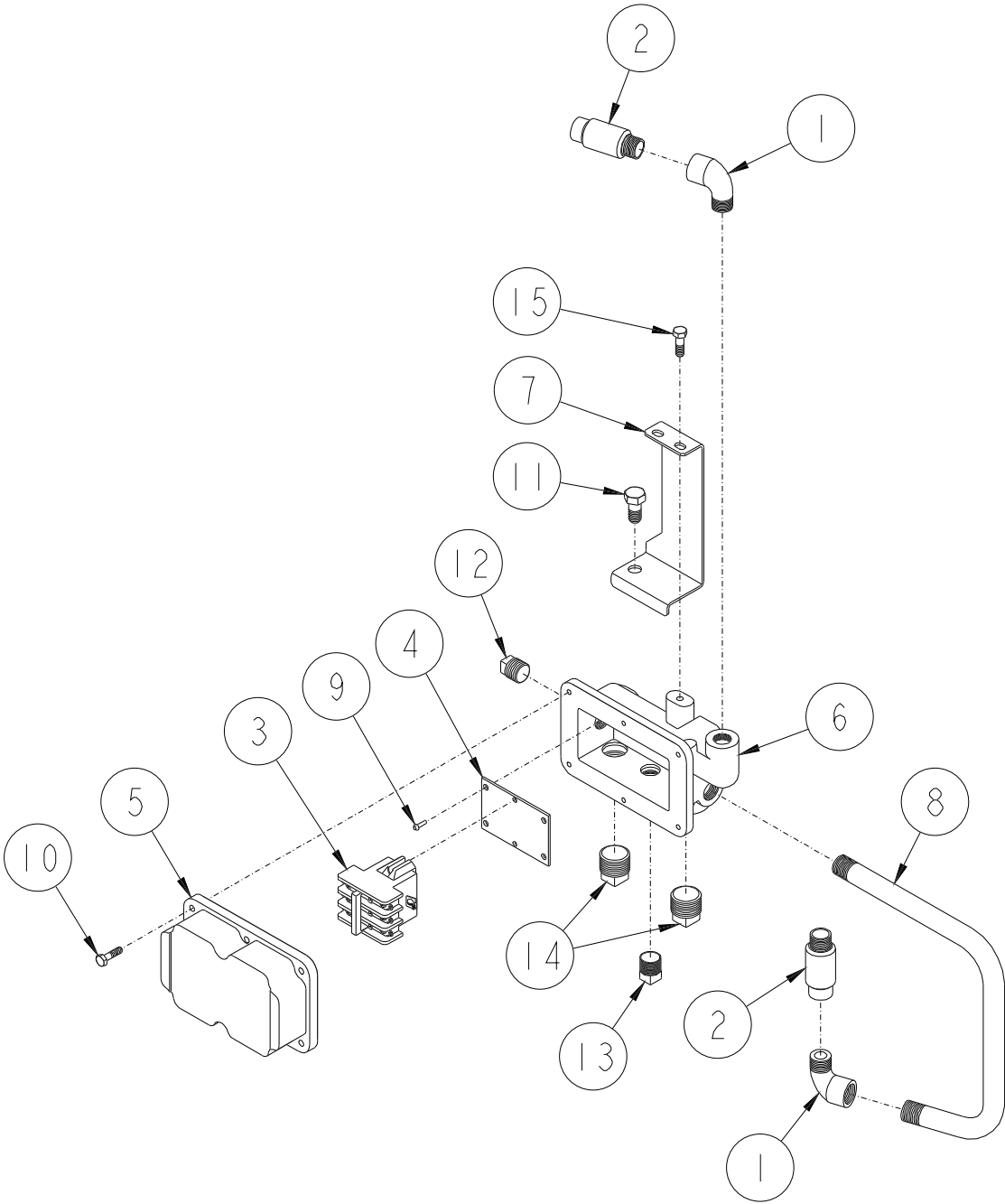


3-73819

SPEAKER CONNECTION BOX ASSEMBLY

ITEM NO.	PART NO.	DESCRIPTION
1	1-19167	Connection Box Cover
2	1-128035	1/2" x 90° Conduit Street Elbow
3	1-128718	1-1/2" Dia x 1/4-20 U-Bolt
4	3-22133	Speaker Connection Box
5	1-319358	Connection Box Mounting Bracket
6	319494-2	Conduit & Harness Assembly
7	35-55132	5/16-18 x 5/8" Long M-F Hex Head Whiz-Lock Screw
8	01-54752	1/4-20 M-F Flange Whiz-Lock Nut
9	02-54752	5/16-18 M-F Flange Whiz-Lock Nut
10	10-51491	#14 x 1/2" Long P-K Self-Tapping Screw
11	1-131208	Conduit Clamp
12	04-51900	1/2" Pipe Plug
13	<u>For parts call out of Chassis Assembly see:</u>	
	741534	All 45" models except H414B & H428B (1st Design)
	741562	H414B & H428B (1st Design)
	741567	30" (1st Design)
	741593	All 45" models except H414B & H428B (2nd Design)
	741595	H414B & H428B (2nd Design)
	741597	30" (2nd Design)
 <u>For complete Speaker Connection Box Assy. order:</u>		
	319494-1	H426B-R

RELAY BOX ASSEMBLY
(H311B-S, H322B-S & H722B-S)
(Serial No. 020618 & Below)



2-73903

RELAY BOX ASSEMBLY
(H311B-S & H322B-S & H722B-S)
(Serial No. 020618 & Below)

ITEM NO.	PART NO.	DESCRIPTION
1	1-128035	Conduit Elbow
2	1-218941	Expansion Union (M-F)
3	<u>Contactor</u>	
	1-230816	240 Volt AC
	2-230816	120 Volt AC
4	1-231009	Contactor Bracket
5	1-316419	Connection Box Cover
6	1-319190	Contactor Box
7	1-320167	Relay Box Support
8	1-319670	Relay Conduit
9	88-50001	#6-32 x 1/4" Long Phillips Round Head Machine Screw
10	05-50361	1/4-20 x 1" Long Hex Head Cap Screw
11	125-50361	1/2-13 x 3/4" Long Hex Head Cap Screw
12	04-51901	1/2" Pipe Plug
13	05-51901	3/4" Pipe Plug
14	06-51901	1" Pipe Plug
15	35-55132	5/16-18 x 5/8" Long M-F Flange Whiz Lock Screw

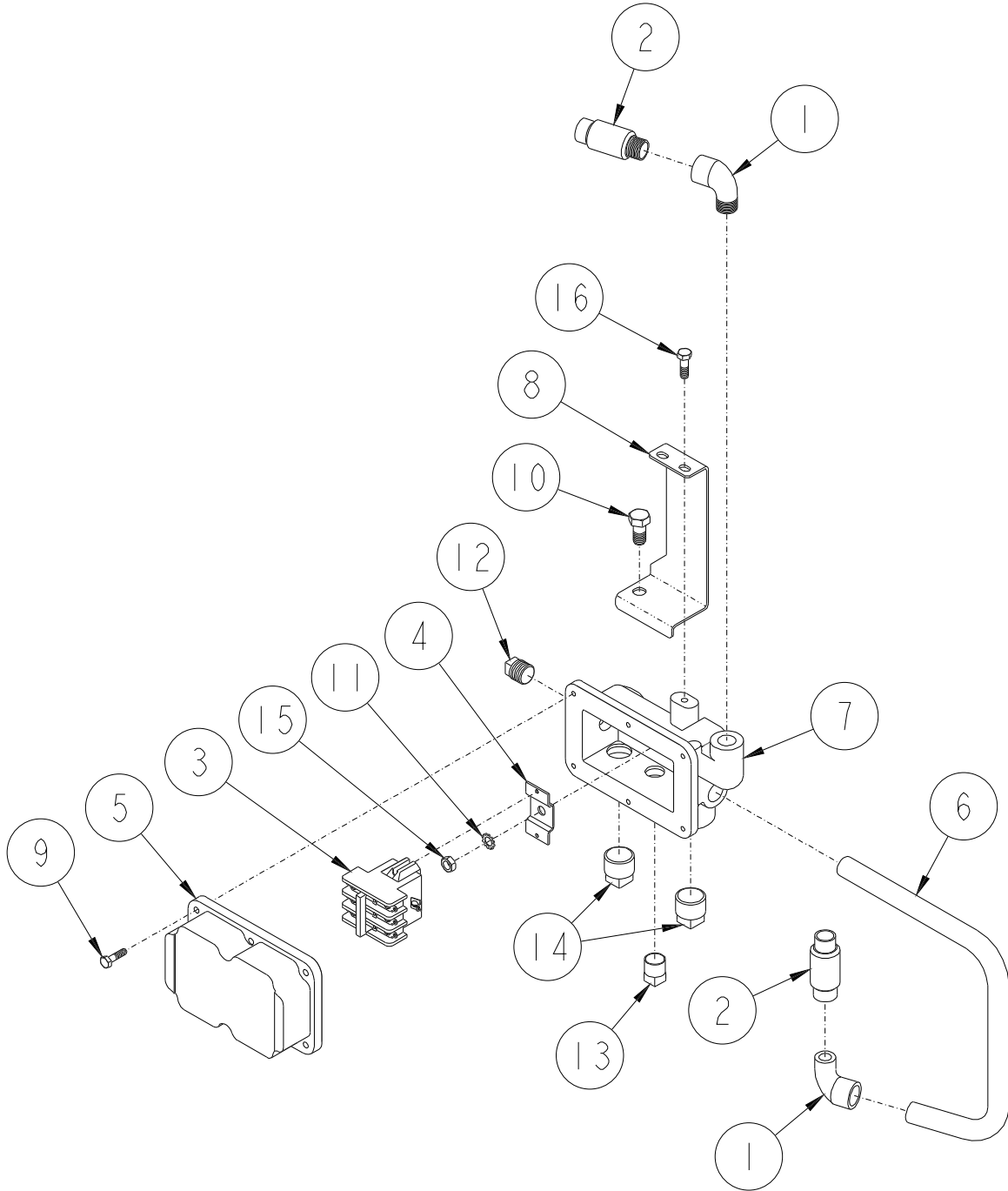
For complete Relay Box Assembly order:

421409-4 120 Volt
421409-5 240/380 Volt

Reference for Tokheim internal use only: Chassis Assembly (see Serial Break List 71144)

319619 1st Design (H311B-S & H322B-S)
319810 2nd Design (H311B-S & H322B-S)
319741 2nd Design (H722B-S)

RELAY BOX ASSEMBLY
(H311B-S, H322B-S & H722B-S)
(Serial No. 020619 & Above)



1 - 73998

RELAY BOX ASSEMBLY
(H311B-S & H322B-S & H722B-S)
(Serial No. 020619 & Above)

ITEM NO.	PART NO.	DESCRIPTION
1	1-128035	Conduit Elbow
2	1-218941	Expansion Union (M-F)
3	<u>Contactor</u>	
	1-230816	240 Volt AC
	2-230816	120 Volt AC
4	1-232707	Contactor Bracket
5	1-316419	Connection Box Cover
6	1-319670	Relay Conduit
7	1-320123	Contactor Box
8	1-320167	Relay Box Support
9	05-50361	1/4-20 x 1" Long Hex Head Cap Screw
10	125-50361	1/2-13 x 3/4" Long Hex Head Cap Screw
11	27-50761	3/8" Shakeproof Lockwasher
12	04-51901	1/2" Pipe Plug
13	05-51901	3/4" Pipe Plug
14	06-51901	1" Pipe Plug
15	03-52342	3/8-16 Hex Jam Nut
16	35-55132	5/16-18 x 5/8" Long M-F Flange Whiz Lock Screw

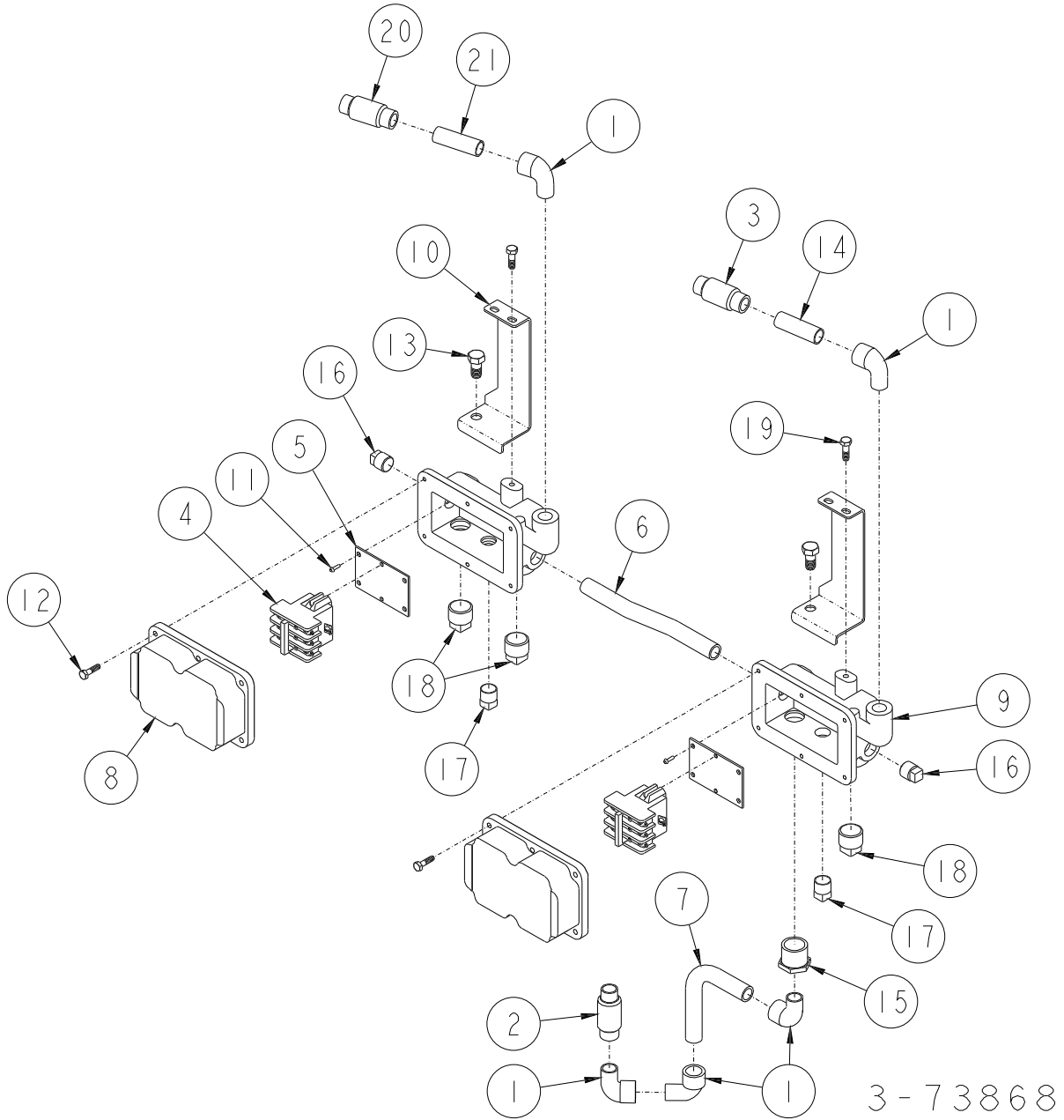
For complete Relay Box Assembly order:

421409-4 120 Volt
421409-5 240/380 Volt

Reference for Tokheim internal use only: Chassis Assembly

319810 H311B-S & H322B-S
319741 H722B-S

RELAY BOX ASSEMBLY
 (H312B-S, H324B-S & H724B-S)
 (Serial No. 020618 & Below)

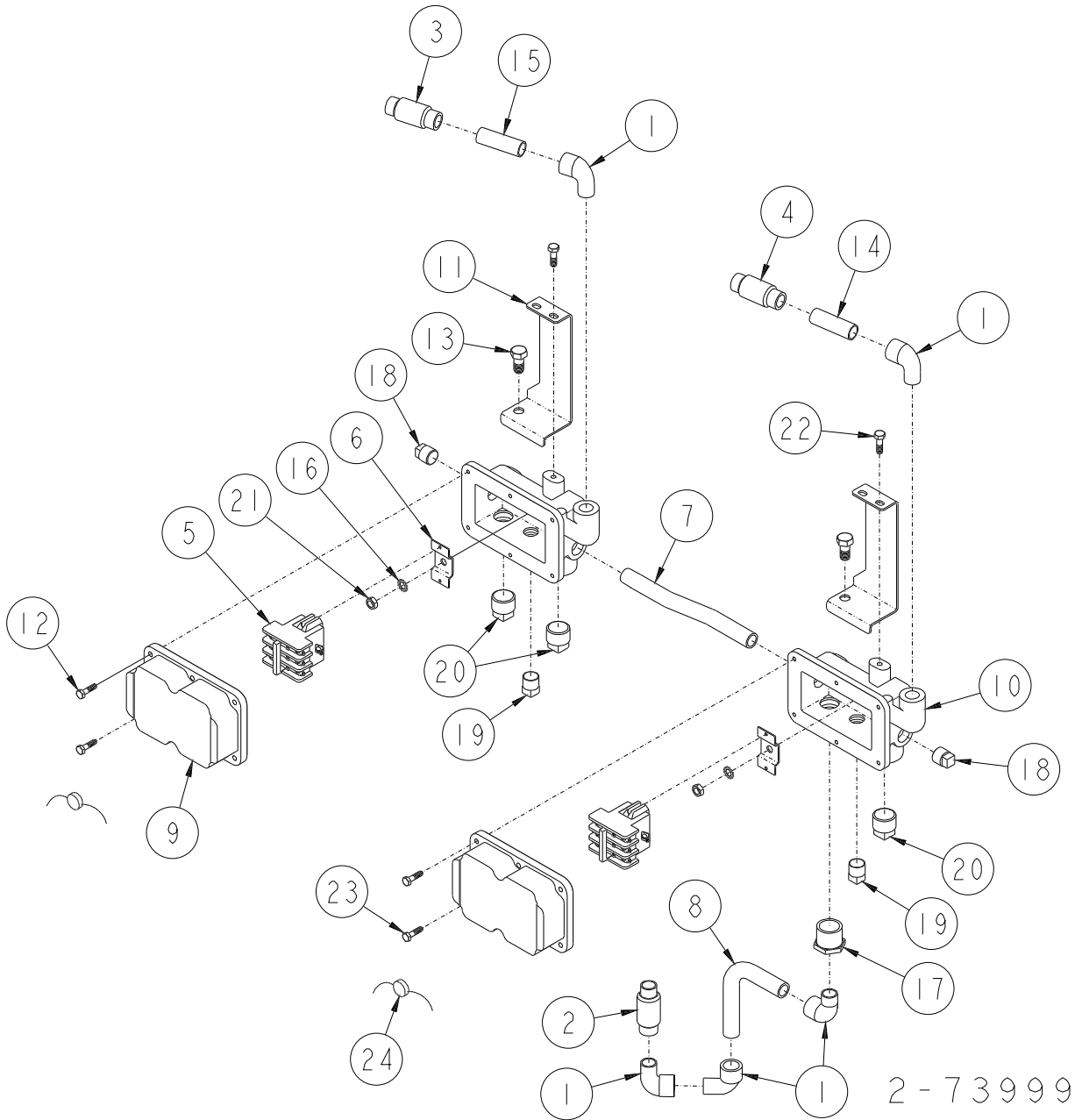


RELAY BOX ASSEMBLY
(H312B-S & H324B-S & H724B-S)
(Serial No. 020618 & Below)

ITEM NO.	PART NO.	DESCRIPTION	ITEM NO.	PART NO.	DESCRIPTION
1	1-128035	Conduit Elbow	20	<u>Expansion Union</u>	
2	1-218941	Expansion Union (M-F)		1-218941	M-F (H324B-S)
3	1-219892	Expansion Union (F-F)		1-219892	F-F (H312B-S, H324B-S & H724B-S)
4	<u>Contactor</u>		21	15-50710	1" x 2" Long Pipe Nipple (H722B-S Only)
	1-230816	240 Volt AC			
	2-230816	120 Volt AC			
5	1-231009	Contactor Bracket			<u>For complete Relay Box Assembly order:</u>
6	<u>Conduit</u>			421409-2	240/380 Volt (H312B-S & H324B-S)
	1-232227	H324B-S		421409-6	120 Volt (H312B-S & H324B-S)
	1-232452	H724B-S		421409-7	240 Volt (H724B-S)
7	1-232256	Relay Conduit			<u>Reference for Tokheim internal use only:</u>
8	1-316419	Connection Box Cover			<u>Chassis Assembly (see Serial Break List 71144)</u>
9	1-319190	Contactor Box		319619	1st Design (H312B-S & H324B-S)
10	1-320167	Relay Box Support		319810	2nd Design (H312B-S & H324B-S)
11	88-50001	#6-32 x 1/4" Long Phillips Round Head Machine Screw		319741	H724B-S
12	05-50361	1/4-20 x 1" Long Hex Head Cap Screw			
13	125-50361	1/2-13 x 3/4" Long Hex Head Cap Screw			
14	15-50710	1" x 2" Long Pipe Nipple			
15	12-51851	1" x 1/2" Hex Bushing			
16	04-51901	1/2" Pipe Plug			
17	05-51901	3/4" Pipe Plug			
18	06-51901	1" Pipe Plug			
19	35-55132	5/16-18 x 5/8" Long M-F Flange Whiz Lock Screw			

3-73868

RELAY BOX ASSEMBLY
 (H312B-S, H324B-S & H724B-S)
 (Serial No. 020619 & Above)

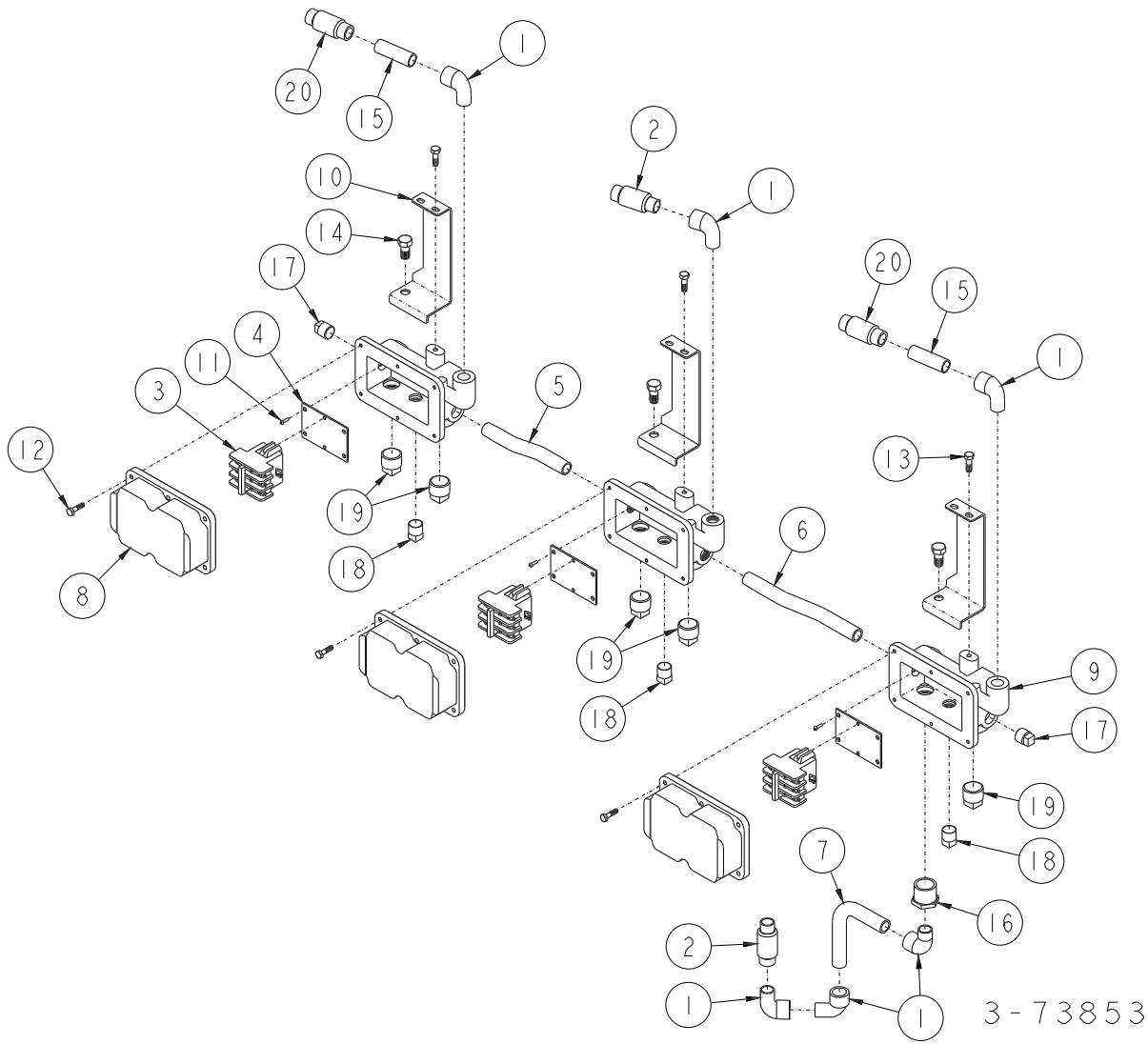


2-73999

RELAY BOX ASSEMBLY
(H312B-S & H324B-S & H724B-S)
(Serial No. 020619 & Above)

ITEM NO.	PART NO.	DESCRIPTION	ITEM NO.	PART NO.	DESCRIPTION
1	1-128035	Conduit Elbow	17	12-51851	1" x 1/2" Hex Bushing
2	1-218941	Expansion Union (M-F)	18	04-51901	1/2" Pipe Plug
3	<u>Expansion Union</u>		19	05-51901	3/4" Pipe Plug
	1-218941	Male-Female (H324B-S)	20	06-51901	1" Pipe Plug
	1-219892	Female-Female (H724B-S)	21	03-52342	3/8 - 16 Hex Jam Nut
4	1-219892	Expansion Union (F-F)	22	35-55132	5/16-18 x 5/8" Long M-F Flange Whiz Lock Screw
5	<u>Contactors</u>		23	1-129513	1/4-20 x 3/4" Long Hex Head Seal Screw (Brazil)
	1-230816	240 Volt AC	24	1-131438	Seal Wire & Seal (6"Long) (Brazil)
	2-230816	120 Volt AC			
6	1-232707	Contactors Bracket			<u>For complete Relay Box Assembly order:</u>
7	<u>Conduit</u>		421409-2		240/380 Volt (H312B-S & H324B-S)
	1-232227	H324B-S	421409-6		120 Volt (H312B-S & H324B-S)
	1-232452	H724B-S	421409-7		240 Volt (H724B-S)
8	1-232256	Relay Conduit			<u>Reference for Tokheim internal use only:</u>
9	1-316419	Connection Box Cover			<u>Chassis Assembly</u>
10	1-320123	Contactors Box	319810		2nd Design (H312B-S & H324B-S)
11	1-320167	Relay Box Support	319741		H724B-S
12	05-50361	1/4-20 x 1" Long Hex Head Cap Screw			
13	125-50361	1/2-13 x 3/4" Long Hex Head Cap Screw			
14	15-50710	1" x 2" Long Pipe Nipple			
15	15-50710	1" x 2" Long Pipe Nipple (H724B-S only)			
16	27-50761	3/8" Shakeproof Lockwasher			

RELAY BOX ASSEMBLY
 (H413B-S & H426B-S)
 (Serial No. 020618 & Below)

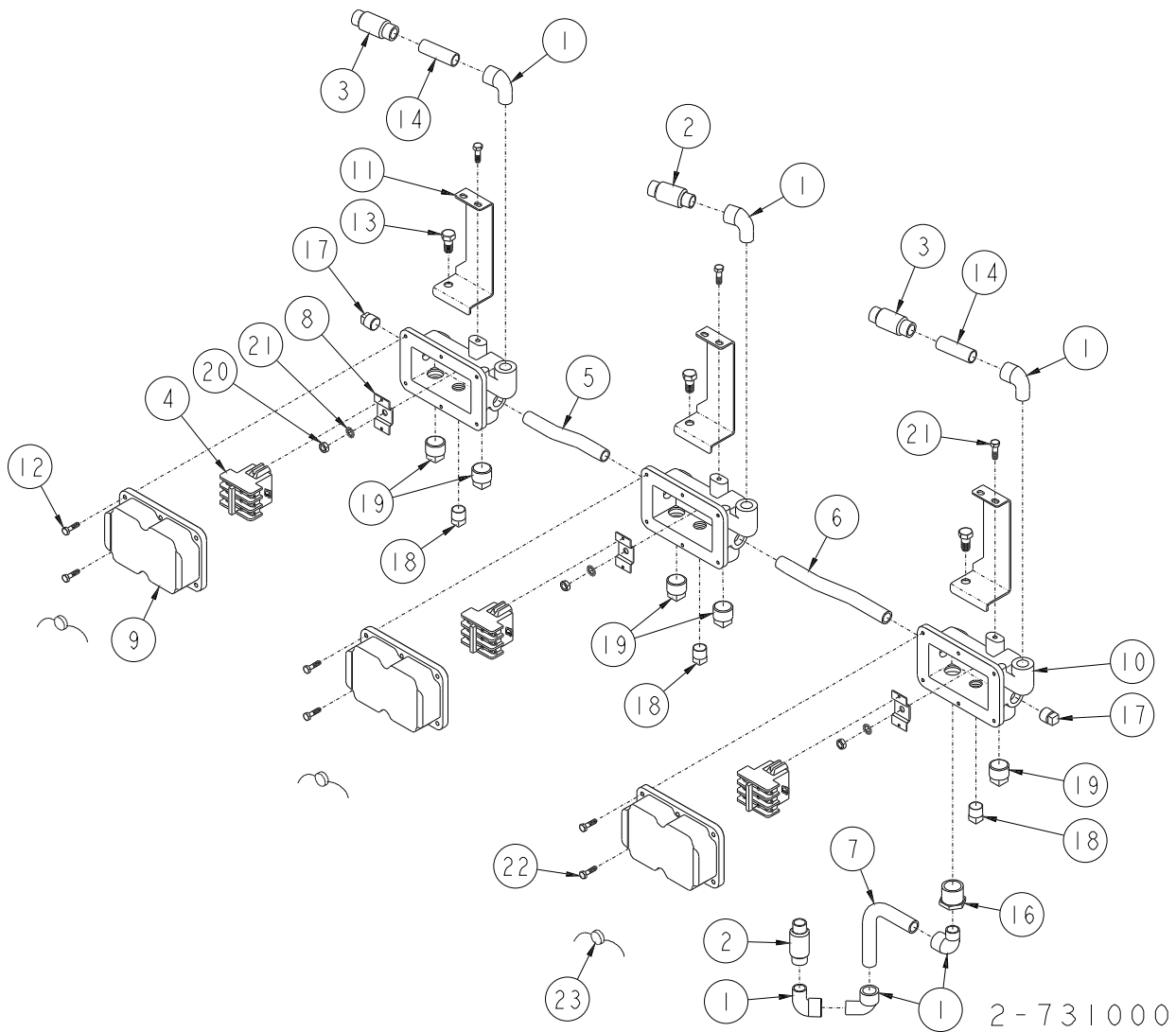


3-73853

RELAY BOX ASSEMBLY
(H413B-S & H426B-S)
(Serial No. 020618 & Below)

ITEM NO.	PART NO.	DESCRIPTION	ITEM NO.	PART NO.	DESCRIPTION
1	1-128035	Conduit Elbow	19	06-51901	1" Pipe Plug
2	1-218941	Expansion Union (M-F)	20	1-219892	Expansion Union (F-F)
3	<u>Contactor</u>		<u>For complete Relay Box Assembly order:</u>		
	1-230816	240 Volt AC	421409-1		240/380 Volt
	2-230816	120 Volt AC	421409-3		120 Volt
4	1-231009	Contactor Bracket	<u>Reference for Tokheim internal use only:</u>		
5	1-232226	Conduit	Chassis Assembly (see Serial Break List 71144)		
6	1-232227	Conduit	319394		1st Design
7	1-232256	Relay Conduit	319741		2nd Design
8	1-316419	Connection Box Cover			
9	1-319190	Contactor Box			
10	1-320167	Relay Box Support			
11	88-50001	#6-32 x 1/4" Long Round Head Machine Screw			
12	05-50361	1/4-20 x 1" Long Hex Head Cap Screw			
13	35-55132	5/16-18 x 5/8" Long M-F Flange Whiz Lock Screw			
14	125-50361	1/2-13 x 3/4" Long Hex Head Cap Screw			
15	15-50710	1" x 2" Long Pipe Nipple			
16	12-51851	1" x 1/2" Hex Bushing			
17	04-51901	1/2" Pipe Plug			
18	05-51901	3/4" Pipe Plug			

RELAY BOX ASSEMBLY
 (H413B-S & H426B-S)
 (Serial No. 020619 & Above)



2-731000

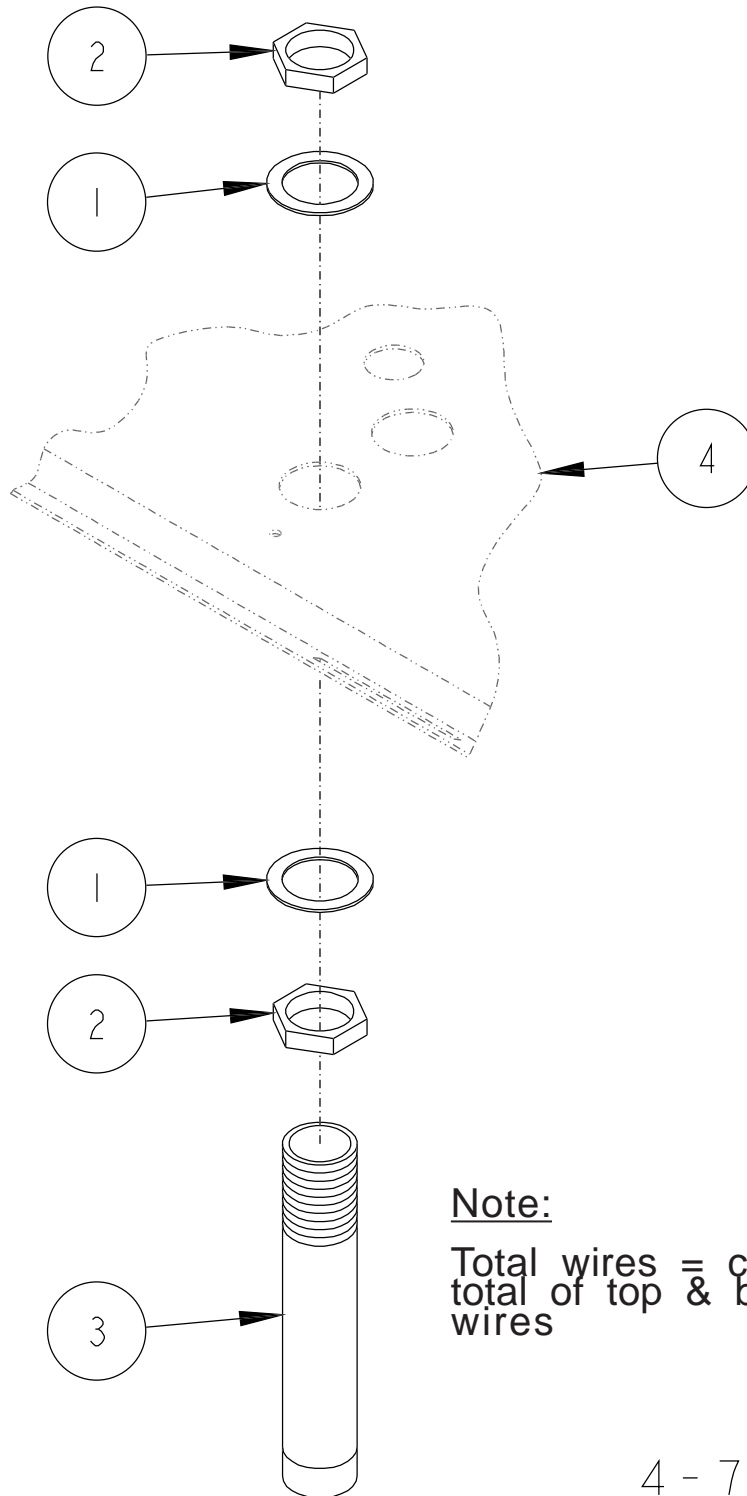
RELAY BOX ASSEMBLY
(H413B-S & H426B-S)
(Serial No. 020619 & Above)

PREMIER Parts Manual • H Models
Form 4814A, Version 5.0 July 1996 Rev. 2/26/99

Tokheim Corporation
5-23

ITEM NO.	PART NO.	DESCRIPTION	ITEM NO.	PART NO.	DESCRIPTION
1	1-128035	Conduit Elbow	19	06-51901	1" Pipe Plug
2	1-218941	Expansion Union (M-F)	20	03-52342	3/8-16 Hex Jam Nut
3	1-219892	Expansion Union (F-F)	21	35-55132	5/16-18 x 5/8" Long M-F Flange Whiz Lock Screw
4	<u>Contactor</u>		22	1-129513	1/4-20 x 3/4" Long Hex Head Seal Screw (Brazil)
	1-230816	240 Volt AC	23	1-131438	Seal Wire & Seal (6" Long)(Brazil)
	2-230816	120 Volt AC			
5	1-232226	Conduit			<u>For complete Relay Box Assembly order:</u>
6	1-232227	Conduit	421409-1		240/380 Volt
7	1-232256	Relay Conduit	421409-3		120 Volt
8	1-232707	Contactor Bracket			
9	1-316419	Connection Box Cover			<u>Reference for Tokheim internal use only: 319741 Chassis Assembly</u>
10	1-320123	Contactor Box			
11	1-320167	Relay Box Support			
12	05-50361	1/4-20 x 1" Long Hex Head Cap Screw			
13	125-50361	1/2-13 x 3/4" Long Hex Head Cap Screw			
14	15-50710	1" x 2" Long Pipe Nipple			
15	27-50761	3/8" Shakeproof Lockwasher			
16	12-51851	1" x 1/2" Hex Bushing			
17	04-51901	1/2" Pipe Plug			
18	05-51901	3/4" Pipe Plug			

BARRIER CONDUIT ASSEMBLY



Note:

Total wires = combined total of top & bottom wires

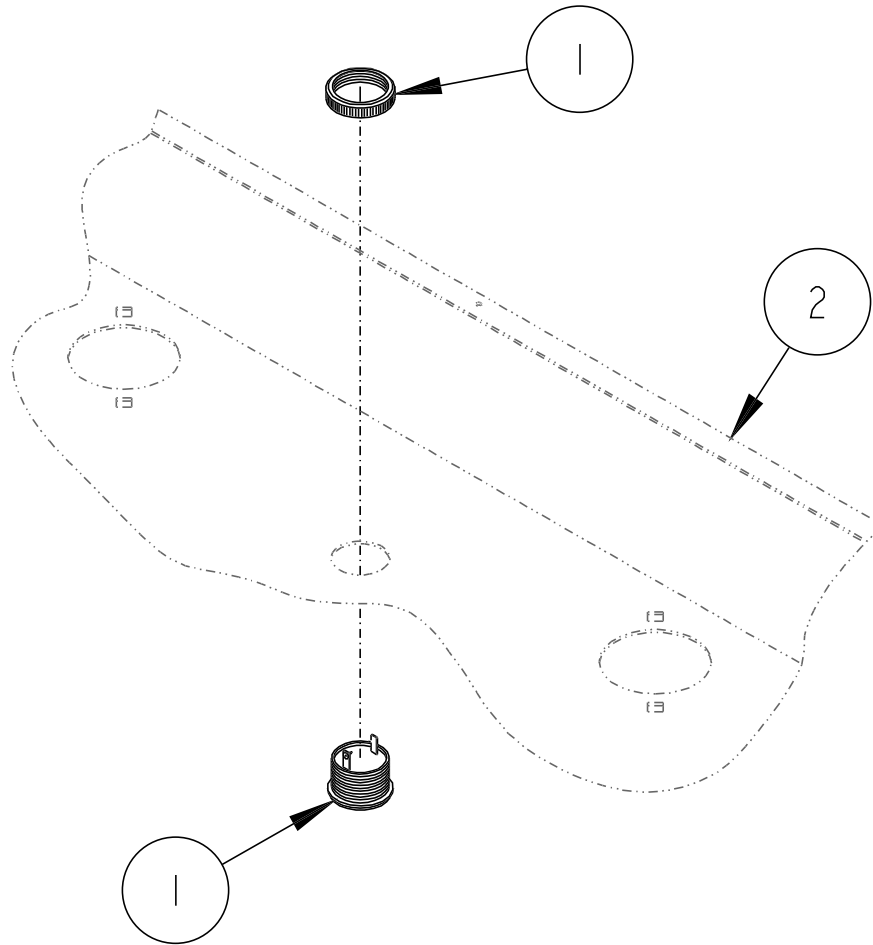
4 - 72213

BARRIER CONDUIT ASSEMBLY

ITEM NO.	PART NO.	DESCRIPTION
1	1-131463	Conduit Washer
2	1-131470	Hex Locknut
3	<u>Barrier Conduit Assembly (Handle)</u>	
	418150-7	1st Design (8 Total Wires)
	418150-8	1st Design (15 Total Wires)
	418150-9	2nd Design (8 Total Wires)
	418150-10	2nd Design (15 Total Wires)
4	<u>For parts call out of Chassis Assembly see:</u>	
	741534	All 45" models except H414B & H428B (1st Design)
	741562	H414B & H428B (1st Design)
	741567	30" (1st Design)
	741593	All 45" models except H414B & H428B (2nd Design)
	741595	H414B & H428B (2nd Design)
	741597	30" (2nd Design)

BUZZER ASSEMBLY (ANNUNCIATOR)

(2nd Design See Serial Break List 71144)



3-72219

BUZZER ASSEMBLY (ANNUNCIATOR)

ITEM NO.	PART NO.	DESCRIPTION
----------	----------	-------------

- | | | |
|---|--|--------|
| 1 | 1-232236 | Buzzer |
| 2 | <u>For parts call out of Raceway Assembly see 72218.</u> | |

Reference for Tokheim internal use only:

319742	45"	(24" Wide Raceway)
319811	30"	(20" & 24" Wide Raceway)
422499	45"	(20" Wide Raceway)