

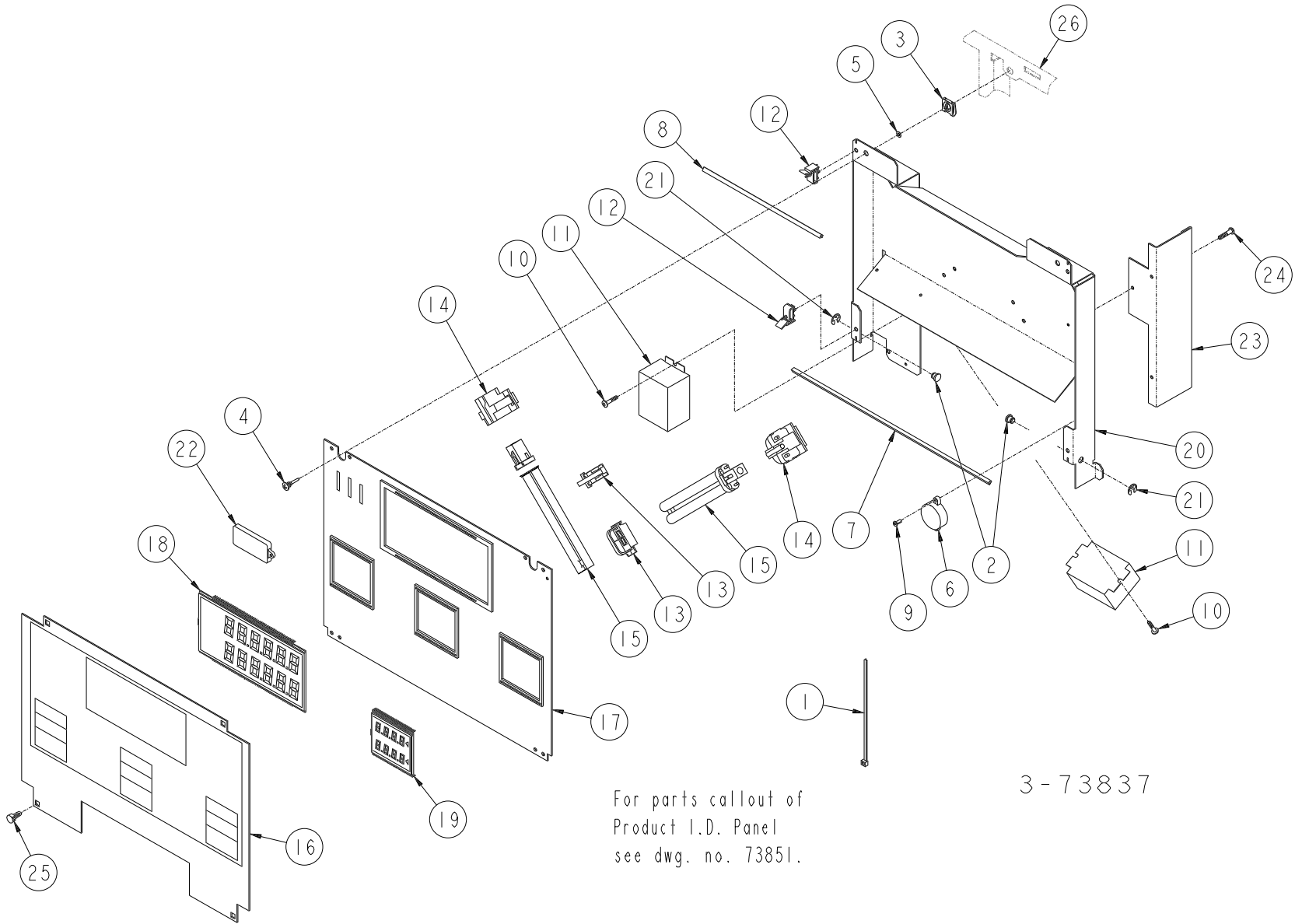
Section Seven

Premier Parts Manual • H Models

Cash Acceptor, DPT & Dials

	Page Number
Money/Volume Display Assembly	7-2, 7-3
Product I.D. Panel Assembly	7-4, 7-5
45" Cash Acceptor Assembly	7-6, 7-7
Non-DPT Panel Assembly	7-8, 7-9
<u>Dial Assembly</u>	
30" DPT	7-10, 7-11
30" Debit	7-12, 7-13
30" InSight	7-14, 7-15
45" DPT	7-16, 7-17
45" Debit	7-18, 7-19
45" InSight	7-20, 7-21
<u>Printer Dial Assembly</u>	
First Design	7-22, 7-23
Graphic (Keypad & Without Debit)	7-24, 7-25
Graphic (Debit)	7-26, 7-27
30" DPT Board Support Assembly	7-28, 7-29
45" DPT Slide Support Assembly (not used with Cash Acceptor)	7-30, 7-31
1 X 5 Keypad Overlay	7-32 — 7-34
For your notes	7-35
DPT Keypad Overlay	7-36 — 7-46

MONEY/VOLUME DISPLAY ASSEMBLY



For parts callout of
Product I.D. Panel
see dwg. no. 73851.

3-73837

MONEY/VOLUME DISPLAY ASSEMBLY

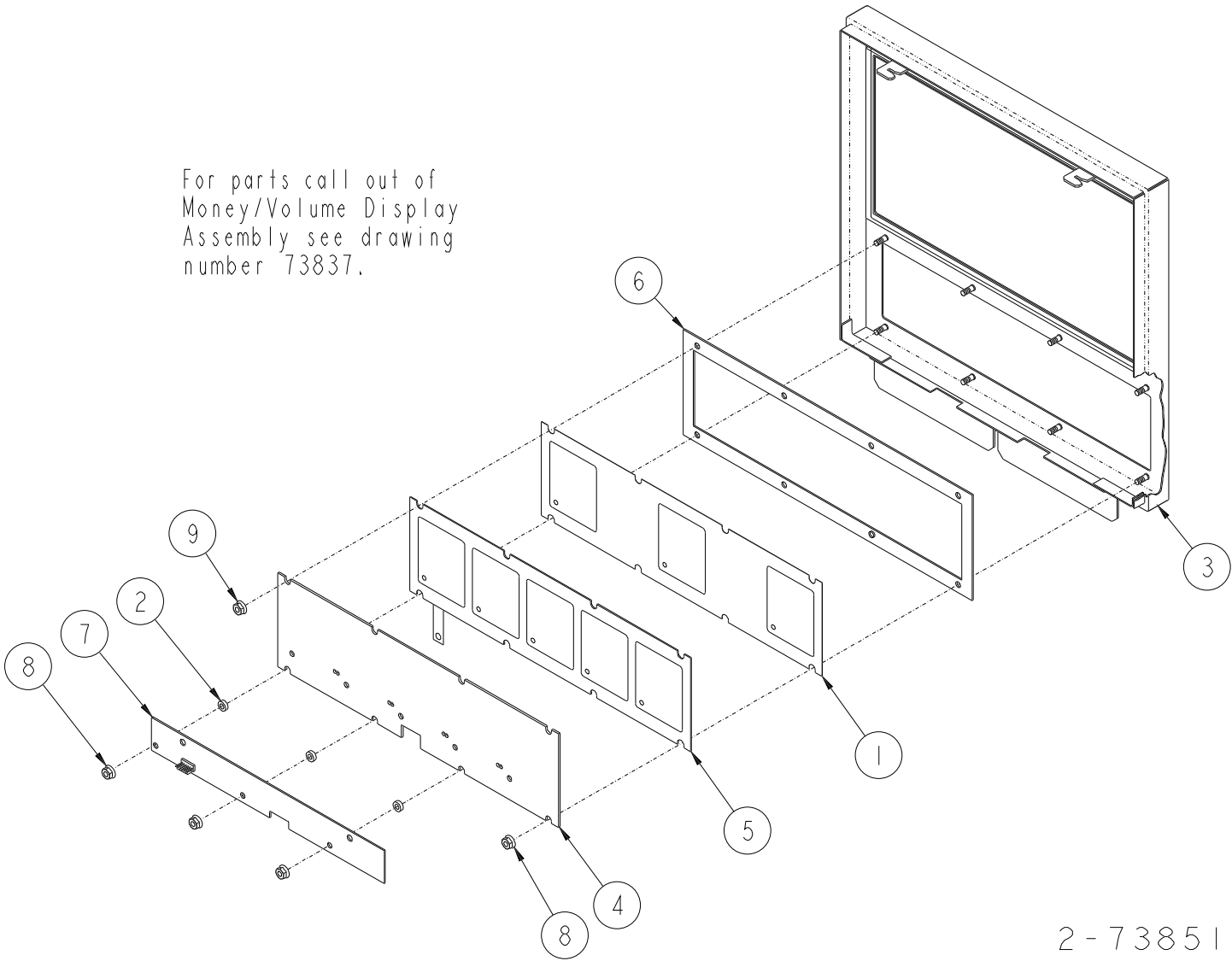
PREMIER Parts Manual • H Models
Form 4814A, Version 5.0 July 1996 Rev. 2/26/99

Tokheim Corporation
7-3

ITEM NO.	PART NO.	DESCRIPTION	ITEM NO.	PART NO.	DESCRIPTION	ITEM NO.	PART NO.	DESCRIPTION
1	2-128725	Cable Tie	17		<u>Money/Volume/Product Display Board Assy</u>	21	06-52482	Retaining Ring
2	2-130330	Pivot Pin			<u>(1st Design See Serial Break List 71144)</u>	22		<u>Magnetic Key</u>
3	1-132487	1/4-Turn Receptacle (Serial No. 018138 & Below)	420942-1		3 Product (Decimal)		1-132719	Managers (Black)
	168-50001	#8-32 x 5/16" Long Round Head Screw (Serial No. 018139 & Above)	420942-2		4 Product (Decimal)		2-132719	Attendants (Red)
4	1-132488	1/4-Turn Stud (Serial No. 018138 & Below)	420942-3		2 Product (Decimal)	23	1-421238	AC Power Shield
	4-130449	"U" Nut (Serial No. 018139 & Above)	420942-4		1 Product (Decimal)	24	1-230689	#6 x 3/8" Long Phillips Head Self Tapping Screw
5	1-132489	Push-On Retainer (Serial No. 018138 & Below)	420942-5		5 Product (Decimal)	25	4-225470	Standoff
	1-132803	Nylon Retaining Washer (Serial No. 018139 & Above)	420942-6		3 Product (Comma)			
6	228677-1	Buzzer Assembly (Annunciator) (1st Design See Serial Break List 71144)	420942-7		4 Product (Comma)			<u>For complete Money/Volume Display Assembly order:</u>
7	10-229425	Edge Protector	420942-8		2 Product (Comma)	319490-1		H413/26B (120 Volt)
8	11-229425	Edge Protector	420942-9		1 Product (Comma)	319490-2		H414/28B-R
9	1-229652	Plastic Rivet	420942-10		5 Product (Comma)	319490-3		H413/26B-S (240 Volt 50Hz)
10	1-230689	Phillips Head Self Tapping Screw			<u>(2nd Design See Serial Break List 71144)</u>	319490-4		H413/26B-S (240 Volt 60Hz)
11		<u>Ballast Harness Assembly</u>	421437-1		3 Product (Decimal)	319490-5		H312/24B-R
	231193-1	120 Volt	421437-2		4 Product (Decimal)	319490-6		H312/24B-S (240 Volt 50 Hz)
	231193-2	240 Volt 50Hz	421437-3		2 Product (Decimal)	319490-7		H312/24B-S (240 Volt 60 Hz)
	231193-3	240 Volt 60Hz	421437-4		1 Product (Decimal)	319490-8		H311/22B-R-B3 (120 Volt)
12	1-231851	Snap Fastener	421437-5		5 Product (Decimal)	319490-9		H311/22B-R-B5 (120 Volt)
13	1-232120	Lampholder Support	421437-6		3 Product (Comma)	319490-10		H311/22B-R (120 Volt)
14	1-232121	Lampholder	421437-7		4 Product (Comma)	319490-11		H311/22B-S (240 Volt 60Hz)
15	1-232122	Light	421437-8		2 Product (Comma)	319490-12		H311/22B-S (240 Volt 50Hz)
16	1-231198	Mask Display (See drawing 232220 and paint chart)	421437-9		1 Product (Comma)	319490-13		H414/28B-R (240 Volt 50Hz)
			421437-10		5 Product (Comma)	319490-14		H414/28B-R (240 Volt 60Hz)
			421437-11					
			18		<u>Money/Volume Liquid Crystal Display</u>			<u>Reference for Tokheim internal use only:</u>
					1-421047 Decimal			319393 Head Assembly (45")
					3-421047 Comma			319395 Trim Assembly (45")
			19		<u>Product Liquid Crystal Display</u>			319630 Head Assembly (30")
					2-421047 Decimal			319635 Trim Assembly (30")
					4-421047 Comma			319743 Trim Assembly (45")
			20		<u>Money/Volume Display Bracket</u>			319821 Trim Assembly (30")
					1-421057 Serial No. 018138 & Below			
					1-421876 Serial No. 018139 & Above			

PRODUCT I.D. PANEL ASSEMBLY

For parts call out of
Money/Volume Display
Assembly see drawing
number 73837.



2-73851

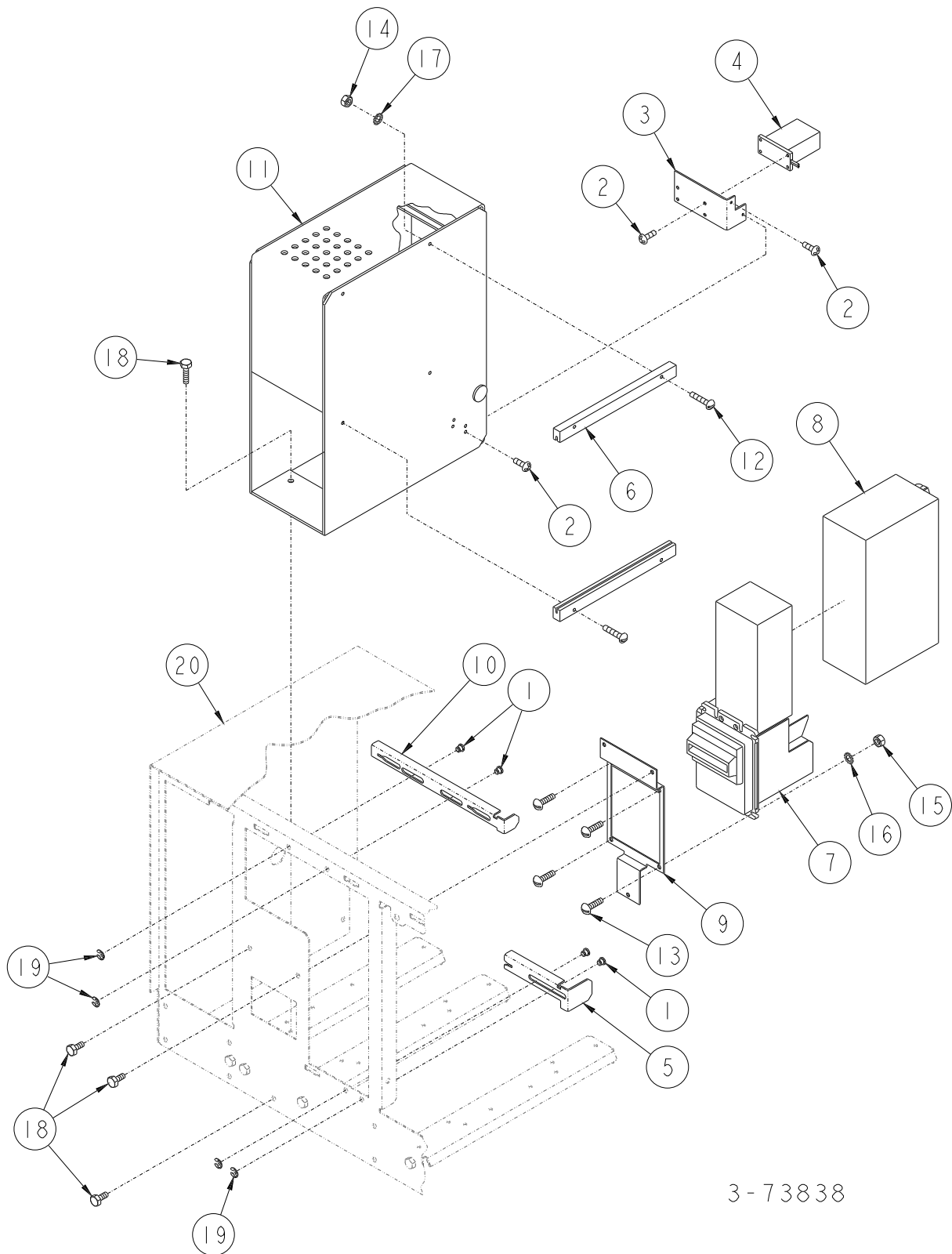
PRODUCT I.D. PANEL ASSEMBLY

ITEM NO.	PART NO.	DESCRIPTION
1		1 x 5 Keypad Overlay (See Parts List 71145)
2	10-229606	Universal Spacer
3		<u>Money/Volume Display Assembly</u>
	319502-4	Painted (1 x 5 Keypad Cutout)
	319502-6	Painted (No 1 x 5 Keypad Cutout)
4	1-319568	Product Keypad Mounting Plate
5	320132-1	Product Keypad & Cushion Assembly (Includes Item #6)
6	1-320502	Cushion
7	421228-1	Led Printed Circuit Board Assembly
8	03-54752	#10-24 M-F Flange Whiz-Lock Nut

For complete Money/Volume Dial Assembly order:

319502-5 Includes 1 x 5 Keypad

45" CASH ACCEPTOR ASSEMBLY



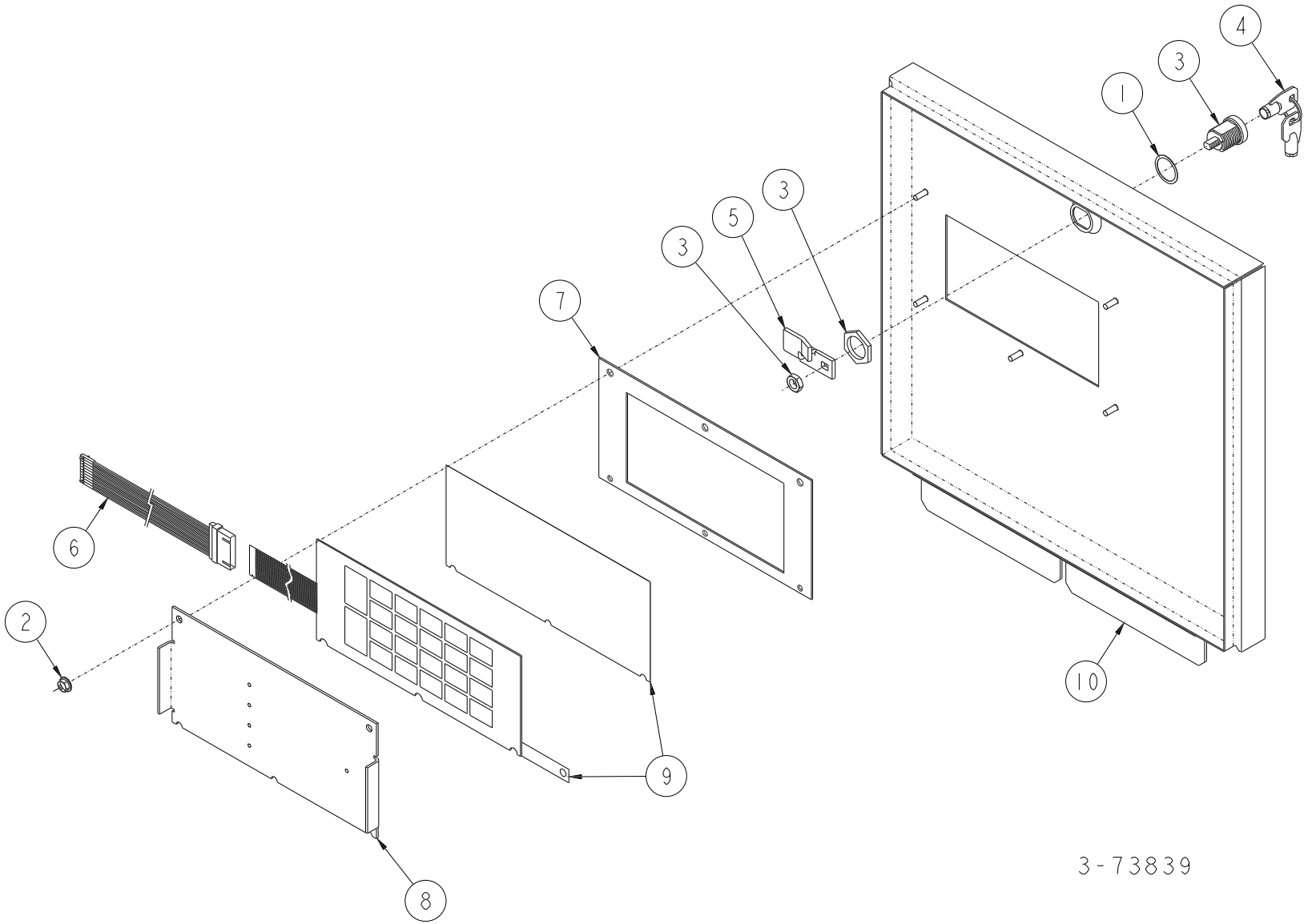
3-73838

45" CASH ACCEPTOR ASSEMBLY

ITEM NO.	PART NO.	DESCRIPTION	ITEM NO.	PART NO.	DESCRIPTION
1	2-130330	Pivot Pin	15	04-50211	#8-32 Hex Nut
2	1-230689	#6-32 x 3/8" Long Phillips Truss Head Self-Tapping Screw	16	04-50761	#8 Shakeproof Lockwasher
3	1-231827	Totalizer Bracket	17	21-50761	#6 Shakeproof Lockwasher
4	1-231839	Electronic Totalizer	18	10-51491	#14 x 1/2" Long Hex Head P.K. Self Tapping Screw
5	1-231850	DPT Latch Bracket (Bottom)	19	6-52482	Retaining Ring
6	1-231873	Vault Slide Retainer	20	<u>For parts call out of Head Assembly see:</u>	
7	<u>Cash Acceptor</u>		73829	45"	
	1-321055	Non-Locking Includes Non-Locking Cassette	73870	30"	
	3-321055	Locking Requires Locking Cassette	<u>For complete Cash Acceptor Assembly order 1-319398</u>		
8	2-321055	Cassette	<u>Reference for Tokheim internal use only:</u>		
9	1-319406	Cash Acceptor Mounting Bracket	319393	Head Assembly	
10	1-319414	DPT Latch Bracket (Top)	231840	Vault Totalizer Assembly	
11	421042-1	Vault Weld Assembly	421058	Cash Acceptor Vault Assembly	
12	100-50001	#6-32 x 3/4" Long Round Head Machine Screw			
13	178-50001	#8-32 x 3/4" Long Round Head Machine Screw			
14	03-50211	#6-32 Hex Nut			

3-73838

NON-DPT PANEL ASSEMBLY



3-73839

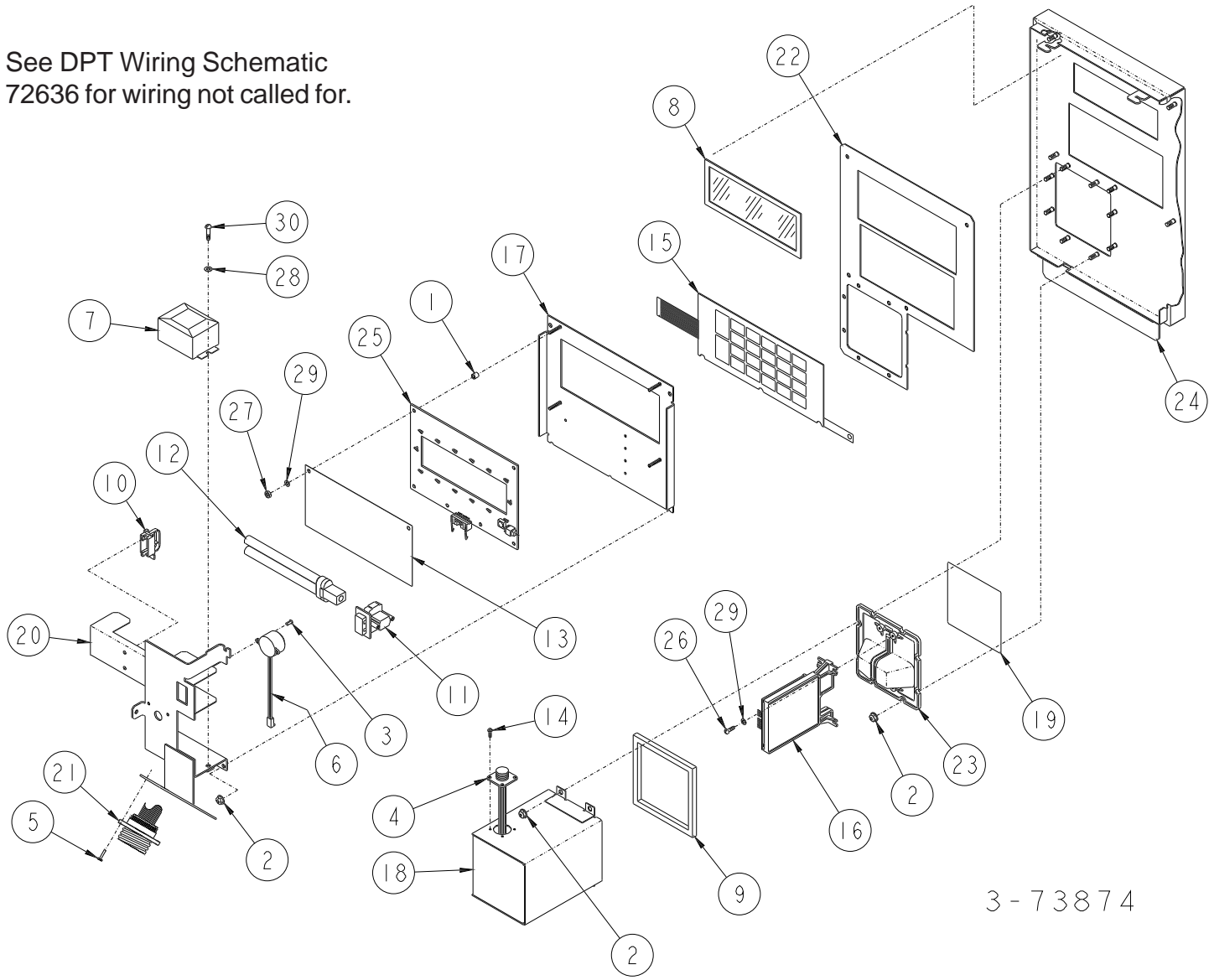
NON-DPT PANEL ASSEMBLY

ITEM NO.	PART NO.	DESCRIPTION
1	2-127656	Lock Gasket
2	1-228671	#8-32 Capped Washer Locknut
3	232962-1	Lock Assembly (Includes Item #1, 4 & 5)
4	2-231841	Tubular Key (TPX 88)
5	1-232108	Lock Cam
6	232163-1	Ribbon Cable Assembly
7	2-320575	Cushion
8	1-319509	Standard Keypad Plate
9	<u>See Keypad, Overlay & Decal Assembly 71142</u>	
10	421172-4	Keypad Dial

Reference for Tokheim internal use only: 421172-2 Non-DPT Module (Painted)

30" DPT DIAL ASSEMBLY

See DPT Wiring Schematic
72636 for wiring not called for.



3-73874

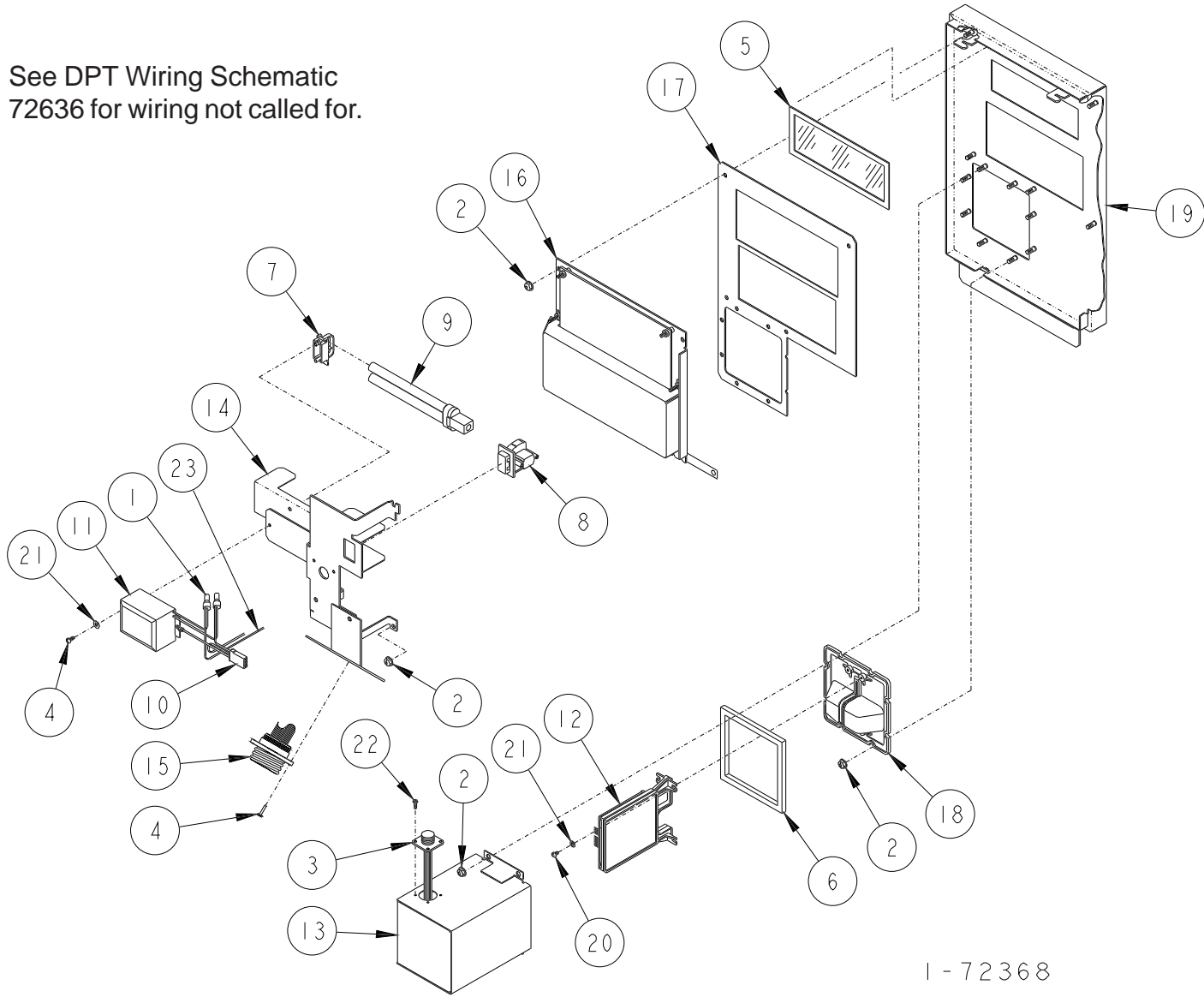
30" DPT DIAL ASSEMBLY

ITEM NO.	PART NO.	DESCRIPTION
1	1-132486	Spacer
2	1-228671	#8-32 Capped Washer Locknut
3	1-229652	Plastic Rivet (1st Design See Serial Break List 71144)
4	230618-1	Internal Card Reader Harness Assembly
5	1-230689	#6 x 3/8" Long Phillips Head Self Tapping Screw
6	230744-2	Transducer Assembly (Annunciator) (1st Design See Serial Break List 71144)
7	<u>Ballast</u>	
	5-315556	120 Volt
	3-315556	240 Volt 50Hz
	4-315556	240 Volt 60Hz
8	1-231847	Display Panel
9	1-232111	Card Reader Box Gasket
10	1-232120	Lamp Holder Support
11	1-232121	Lamp Holder
12	1-232122	Light (Phillips)
13	1-232130	Diffuser
14	20-55392	#4 x 3/8" Long Hex Head Self Tapping Screw
15	<u>See Keypad, Overlay & Decal Assembly 71142</u>	
16	5-319403	Card Reader (Dual Head)
17	319412-1	Keypad Plate Weld Assembly
18	319442-1	Card Reader Box Weld Assembly

ITEM NO.	PART NO.	DESCRIPTION
19	<u>Decal</u>	
	1-319471	(Card) Phillips, Texaco, Suothland, Marathon, Distributor/CFN, Emro, Total, Distributor
	6-319471	(Card) Amoco CDF
	8-319471	(Insert Card) Amoco Std.
	11-319471	(Insert Card) Chevron
20	319642-2	DPT Dial Bracket Weld Assembly
21	319657-1	Internal DPT/Dial Harness Assembly
22	1-320484	Cushion
23	1-421073	Card Reader Bezel
24	319487-27	Dial Weld Assembly (Card Reader)
25	<u>Display Module</u>	
	1-421076	
	3-421076	Hebrew
26	88-50021	#6-32 x 1/4" Long Phillips Round Head Machine Screw
27	03-50212	#6-32 Hex Machine Nut
28	22-50761	#8 Shakeproof Lockwasher
29	03-50762	#6 Shakeproof Lockwasher
30	166-52851	#8-32 x 1/4" Long Hex Head Machine Screw
<u>Reference for Tokheim internal use only:</u>		
	319487	DPT Dial Assembly

30" DEBIT DPT DIAL ASSEMBLY

See DPT Wiring Schematic
72636 for wiring not called for.



1-72368

30" DEBIT DPT DIAL ASSEMBLY

PREMIER Parts Manual • H Models
Form 4814A, Version 5.0 July 1996 Rev. 2/26/99

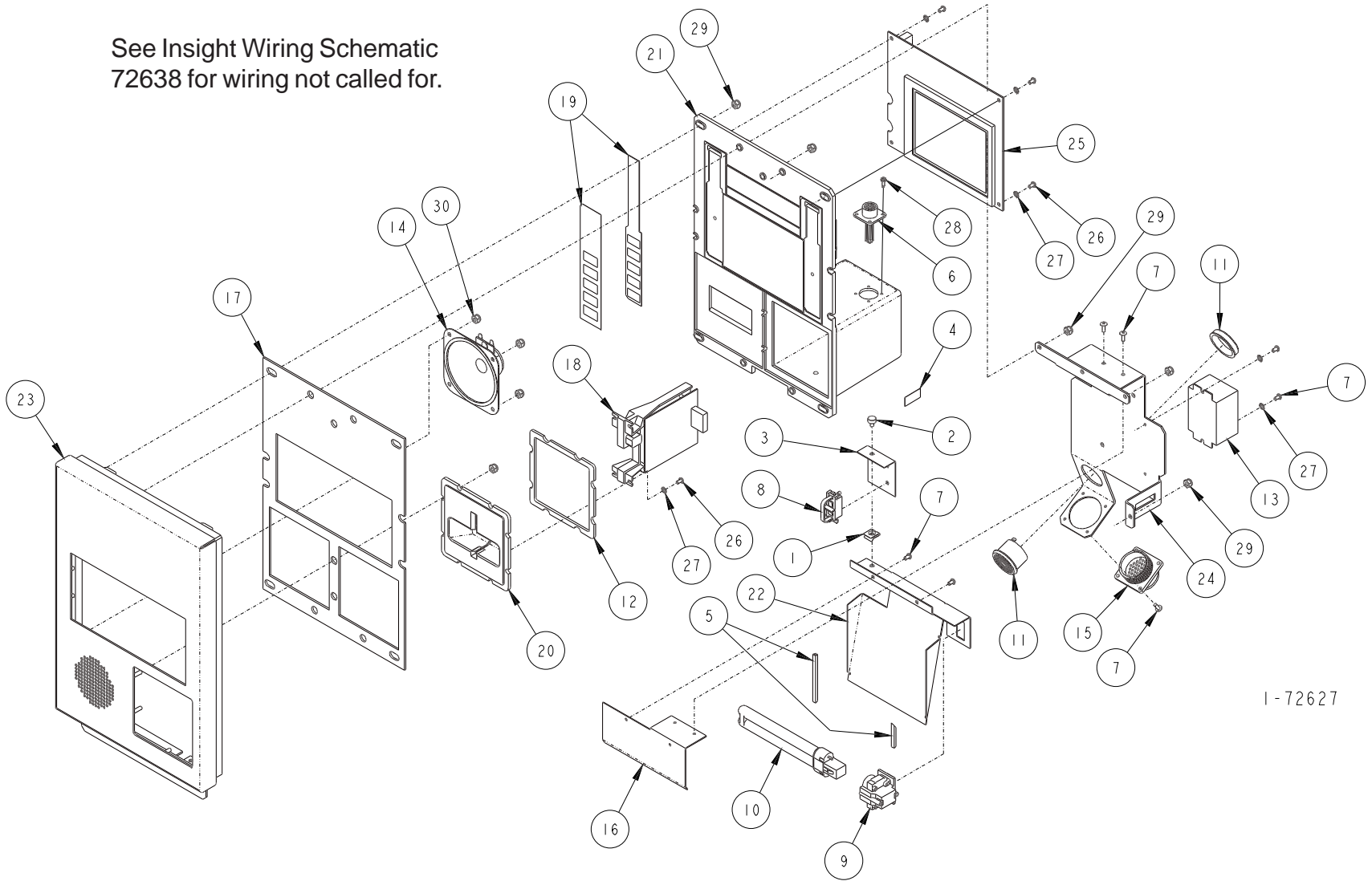
Tokheim Corporation
7-13

ITEM NO.	PART NO.	DESCRIPTION
1	1-129223	Wire Connector
2	1-228671	#8-32 Capped Washer Locknut
3	230618-1	Internal Cardreader Harness Assembly
4	1-230689	#6 x 3/8" Long Phillips Head Self Tapping Screw
5	1-231847	DPT Display Panel
6	1-232111	Card Reader Box Gasket
7	1-232120	Lampholder Support
8	1-232121	Lampholder
9	1-232122	Light
10	232136-2	Display Adapter Harness Assembly
11	<u>Ballast</u>	
	3-315556	240 Volt 50 Cycle
	4-315556	240 Volt 60 Cycle
	5-315556	118 Volt
12	5-319403	Card Reader (Dual Head)
13	319442-1	Card Reader Box Weld Assembly
14	319642-3	DPT Dial Bracket Weld Assembly
15	319657-2	Internal DPT/Dial Harness Assembly
16	320247	Secure Pin Pad Module (Specify Customer)
17	1-320484	Cushion
18	1-421073	Card Reader Bezel
19	319487-27	DPT Dial Weld Assembly

ITEM NO.	PART NO.	DESCRIPTION
20	88-50021	#6-32 x 1/4" Long Phillips Round Head Machine Screw
21	03-50762	#6 Shakeproof Lockwasher
22	20-55392	#4 x 3/8" Long Hex Head Tapping Screw
23	010-554809-20	Conductor (#18 Gauge Black)
<u>Reference for Tokheim internal use only:</u>		
319487		DPT Dial Assembly

30" INSIGHT DIAL ASSEMBLY

See Insight Wiring Schematic
72638 for wiring not called for.



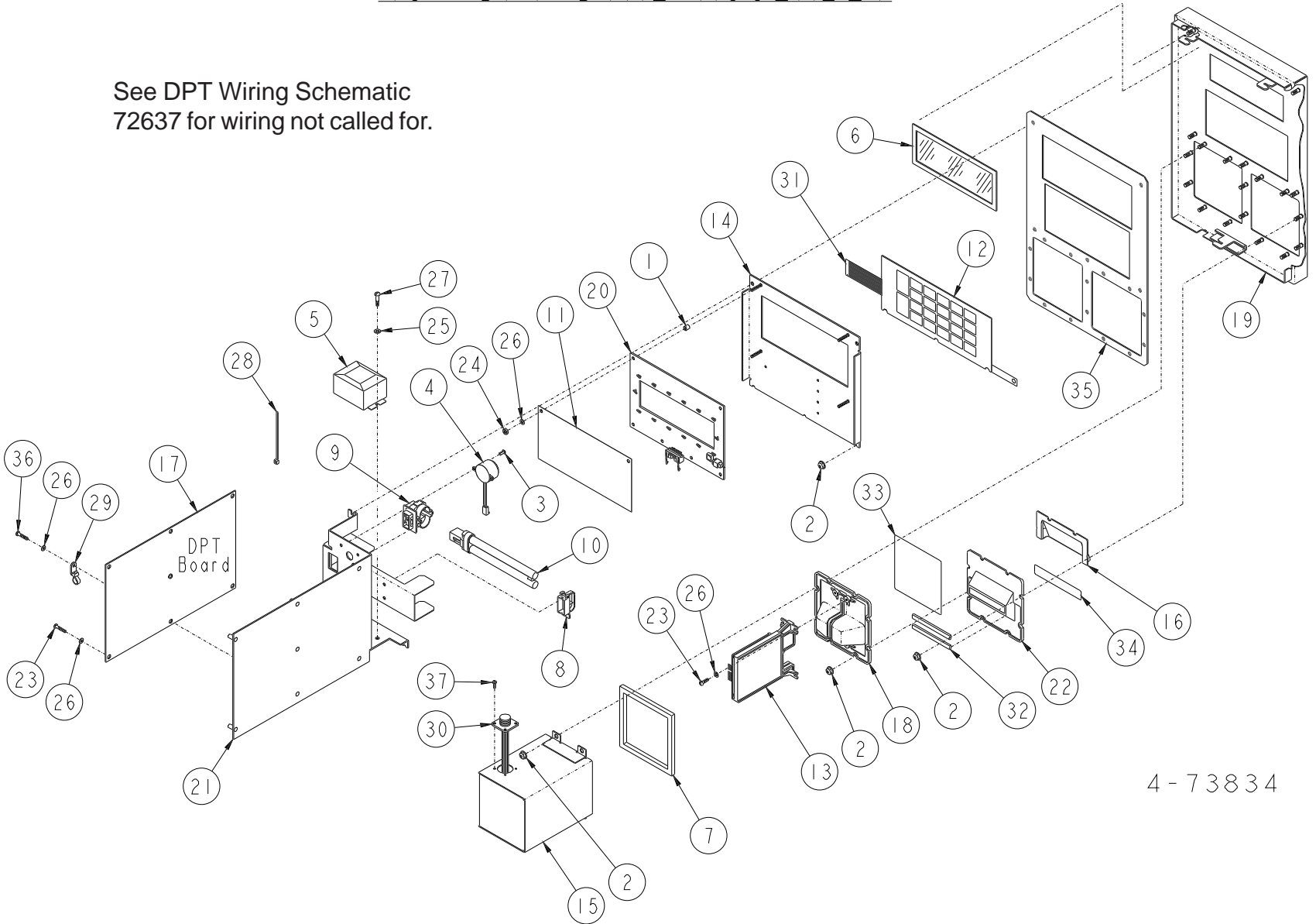
1-72627

30" INSIGHT DIAL ASSEMBLY

ITEM NO.	PART NO.	DESCRIPTION	ITEM NO.	PART NO.	DESCRIPTION	ITEM NO.	PART NO.	DESCRIPTION
1	4-130449	#8-32 "U" Nut	18	<u>Card Reader Kit (Includes Items # 12 & 17)</u>		24	1-422393	DPT Dial Bracket
2	1-131110	Thumb Screw		320922-5	Card	25	1-422448	Graphic DPT Display
3	1-132849	Backlight Access Bracket		320922-6	Card/Cash	26	88-50021	#6-32 x 1/4" Long Phillips Round Head Machine Screw
4	1-132947	Product Registration Label	19	<u>Softkey Keypad Kit (Includes Item #17)</u>		27	03-50762	#6 Shakeproof Lockwasher
5	5-229425	Edge Protector		320922-3	Card	28	20-55392	#4 x 3/8" Long Hex Head Self Tapping Screw
6	230618-1	Internal Card Reader Harness Assembly		320922-4	Card/Cash	29	04-55531	#8-32 Nylon Insert Locknut
7	2-230689	#6 x 3/8" Long Phillips Head Self Tapping Screw	20	<u>Card Reader Bezel Kit (Includes Items #12 & 17)</u>		30	55561	Self-Tapping Push Nut (Plastic)
8	1-232120	Lampholder Support		320922-7	Card	<u>For complete Graphic DPT Dial Assembly order: (Doesn't Include Ballast)</u>		
9	1-232121	Lampholder		320922-8	Card/Cash			
10	1-232122	Light	21	<u>Lexan Window Kit (Includes Items # 4, 12, 17 & 19)</u>		422287-1	Card - Right	
11	1-232236	Buzzer		320922-1	Card			
12	1-233564	Card Reader Cushion		320922-2	Card/Cash			
13	<u>Ballast Assembly</u>		22	1-422311	Backlight Lampholder/ Reflector			
	231193-4	120Volt	23	<u>Graphic DPT Dial Weld Assembly</u>				
	231193-5	240 Volt 50 Cycle		422392-3	Without Speaker			
	231193-6	240 Volt 60 Cycle		422392-4	With Speaker			
14	1-318170	Speaker						
15	319657-3	DPT Dial Harness Assembly						
16	1-320693	Backlight Support Bracket						
17	1-320764	DPT Dial Cushion						

45" DPT DIAL ASSEMBLY

See DPT Wiring Schematic
72637 for wiring not called for.



4-73834

45" DPT DIAL ASSEMBLY

PREMIER Parts Manual • H Models
Form 4814A, Version 5.0 July 1996 Rev. 2/26/99

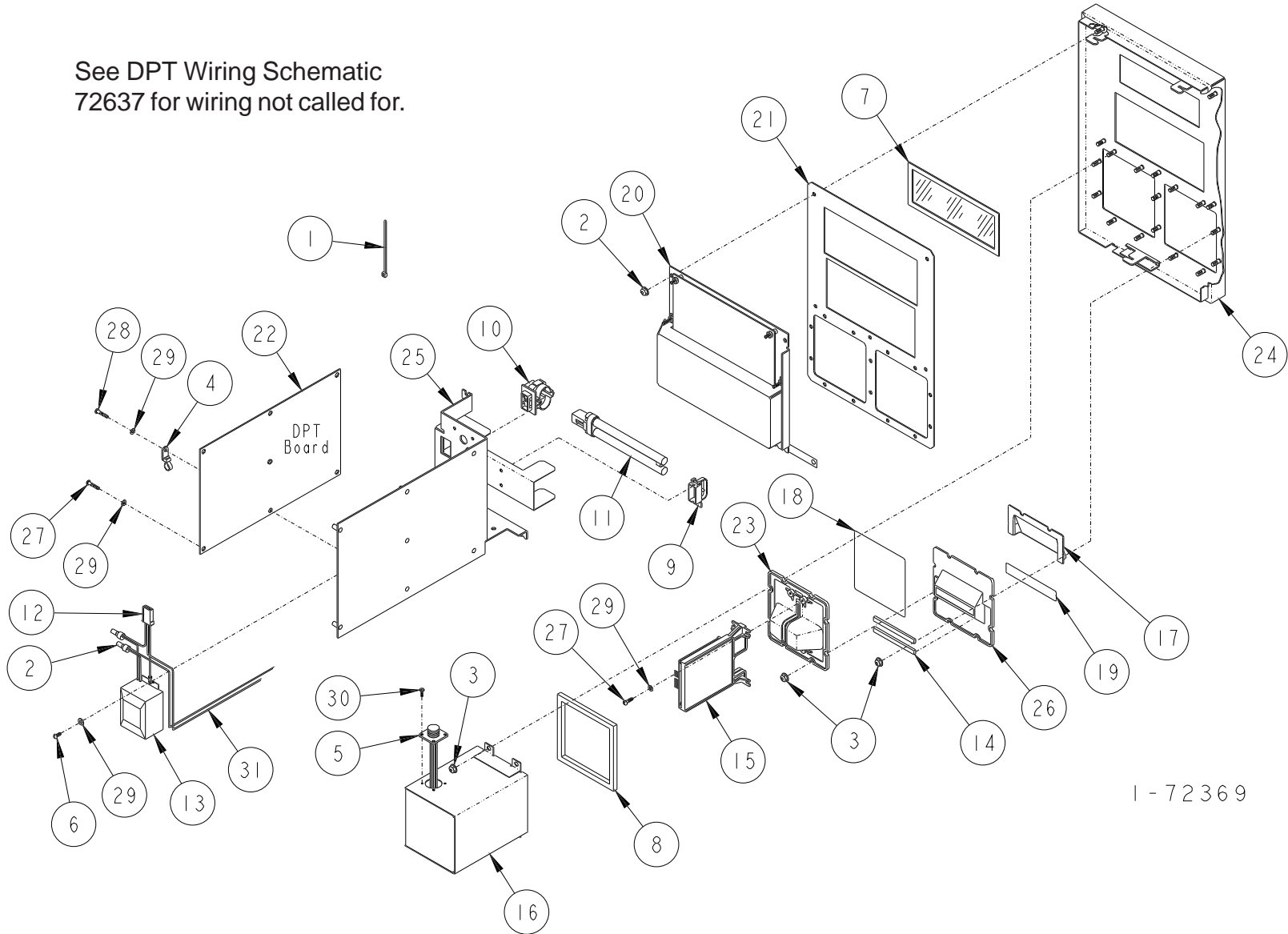
Tokheim Corporation
7-17

ITEM NO.	PART NO.	DESCRIPTION	ITEM NO.	PART NO.	DESCRIPTION	ITEM NO.	PART NO.	DESCRIPTION	
1	1-132486	Spacer	17	<u>Continued</u>		30	230618-1	Internal Card Reader Harness Assembly	
2	1-228671	#8-32 Capped Washer Locknut		420929-2	TCS "A"		31	232163-1	Keypad Harness Assembly
3	1-229652	Plastic Rivet (1st Design See Serial Break List 71144)		420929-3	Paper Cutter (Gasboy)	32	33-317638	Cushion	
4	230744-1	Transducer Assembly (Annunciator) (1st Design See Serial Break List 71144)		420929-4	Tear Bar Printer				
				420929-5	Tear Bar Printer (Gasboy)	33	<u>Decal</u>		
5	<u>Ballast</u>		18	1-421073	Card Reader Bezel		1-319471	(Card) Phillips, Texaco, Southland, Marathon, Distributor/CFN, Emro, Total, Distributor	
	5-315556	120 Volt					6-319471	(Card) Amoco CDF	
	3-315556	240 Volt 50Hz	19	<u>Dial Weld Assembly (Painted)</u>			8-319471	(Insert Card) Amoco Std.	
	4-315556	240 Volt 60Hz		319487-24	Cash Acceptor & Card Reader		11-319471	(Insert Card) Chevron	
6	1-231847	Display Panel		319487-25	Cash Acceptor Only				
7	1-232111	Card Reader Box Gasket		319487-26	Card Reader Only				
8	1-232120	Lamp Holder Support	20	<u>Display Module</u>		34	<u>Decal</u>		
9	1-232121	Lamp Holder		1-421076			3-319471	(Insert Cash) Emro	
10	1-232122	Light (Phillips)		3-421076	Hebrew		4-319471	(Cash) Amoco CDF	
11	1-232130	Diffuser					5-319471	(Cash - Bill) Amoco CDF & Std.	
12	<u>See Keypad, Overlay & Decal Assembly 71142</u>		21	421080-1	Slide Bracket Weld Assembly		10-319471	(Insert Cash) Amoco Std.	
13	5-319403	Card Reader (Dual Head)	22	1-421110	Cash Acceptor Bezel				
14	319412-1	Keypad Plate Weld Assembly	23	88-50021	#6-32 x 1/4" Long Phillips Round Head Machine Screw	35	1-320484	Cushion	
15	319442-1	Card Reader Box Weld Assembly	24	03-50212	#6-32 Hex Machine Nut	36	20-55392	#4 x 3/8" Long Hex Head Self Tapping Screw	
16	1-319449	Cash Acceptor Shield	25	22-50761	#8 Shakeproof Lockwasher	37	96-50021	#6-32 x 1/2" Long Phillips Head Screw	
17	<u>DPT Board Assembly</u> 420929-1	Paper Cutter	26	03-50762	#6 Shakeproof Lockwasher				
			27	166-52851	#8-32 x 1/4" Long Hex Head Machine Screw				
			28	1-128725	Cable Tie				
			29	3-228918	Cable Clamp				

Reference for Tokheim internal use only:
319487 DPT Dial Assembly

45" DEBIT DPT DIAL ASSEMBLY

See DPT Wiring Schematic
72637 for wiring not called for.



1-72369

45" DEBIT DPT DIAL ASSEMBLY

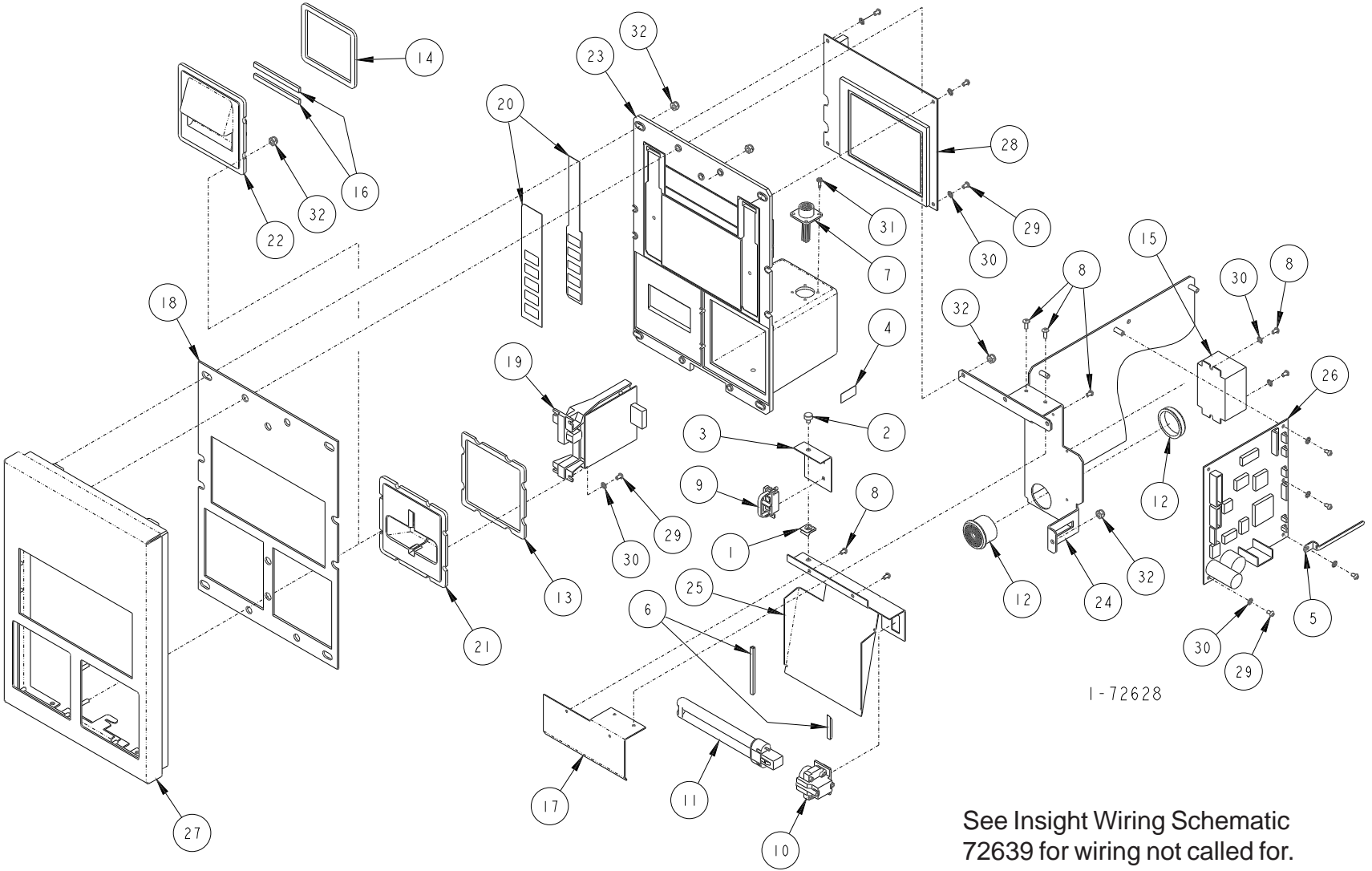
PREMIER Parts Manual • H Models
Form 4814A, Version 5.0 July 1996 Rev. 2/26/99

Tokheim Corporation
7-19

ITEM NO.	PART NO.	DESCRIPTION	ITEM NO.	PART NO.	DESCRIPTION	ITEM NO.	PART NO.	DESCRIPTION	
1	1-128725	Cable Tie	18	<u>Decal</u>		24	<u>Dial Weld Assembly (Painted)</u>		
2	1-129223	Wire Connector		1-319471	(Card) Phillips, Texaco, Southland, Marathon, Distributor/CFN, Emro, Total, Distributor		421075-4	Cash Acceptor & Card Reader	
3	1-228671	#8-32 Capped Washer Locknut		6-319471	(Card) Amoco CDF		421075-5	Cash Acceptor Only	
4	3-228918	Cable Clamp		8-319471	(Insert Card) Amoco Std.		421075-6	Card Reader Only	
5	230618-1	Internal Cardreader Harness Assembly		11-319471	(Insert Card) Chevron	25	421080-1	Slide Bracket Weld Assembly	
6	1-230689	#6 x 3/8" Long Phillips Head Self Tapping Screw	19	<u>Decal</u>		26	1-421110	Cash Acceptor Bezel	
7	1-231847	Display Panel		3-319471	(Insert Cash) Emro	27	88-50021	#6-32 x 1/4" Long Phillips Round Head Machine Screw	
8	1-232111	Card Reader Box Gasket		4-319471	(Cash) Amoco CDF		28	96-50021	#6-32 x 1/2" Long Phillips Round Head Machine Screw
9	1-232120	Lamp Holder Support		5-319471	(Cash - Bill) Amoco CDF & Std.		29	03-50762	#6 Shakeproof Lockwasher
10	1-232121	Lamp Holder		10-319471	(Insert Cash) Amoco Std.		30	20-55392	#4 x 3/8" Long Hex Head Self Tapping Screw
11	1-232122	Light (Phillips)	20	320247	Secure Pin Pad Module (Specify Customer)		31	010-554809-20	Conductor (#18 Gauge Black)
12	232136-2	Display Adapter Harness Assembly	21	1-320484	Cushion				
13	<u>Ballast</u>		22	<u>DPT Board Assembly</u>					
	3-315556	240 Volt 50 Cycle		421844-1	Paper Cutter				
	4-315556	240 Volt 60 Cycle		421844-2	Tear Bar Printer				
	5-315556	118 Volt		662-314950	Eprom (MT Prefixed Software)				
14	33-317638	Cushion	23	1-421073	Card Reader Bezel				
15	5-319403	Card Reader (Dual Head)							
16	319442-1	Card Reader Box Weld Assembly							
17	1-319449	Cash Acceptor Shield							

Reference for Tokheim internal use only:
319487 DPT Dial Assembly

45" INSIGHT DIAL ASSEMBLY



1-72628

See Insight Wiring Schematic
72639 for wiring not called for.

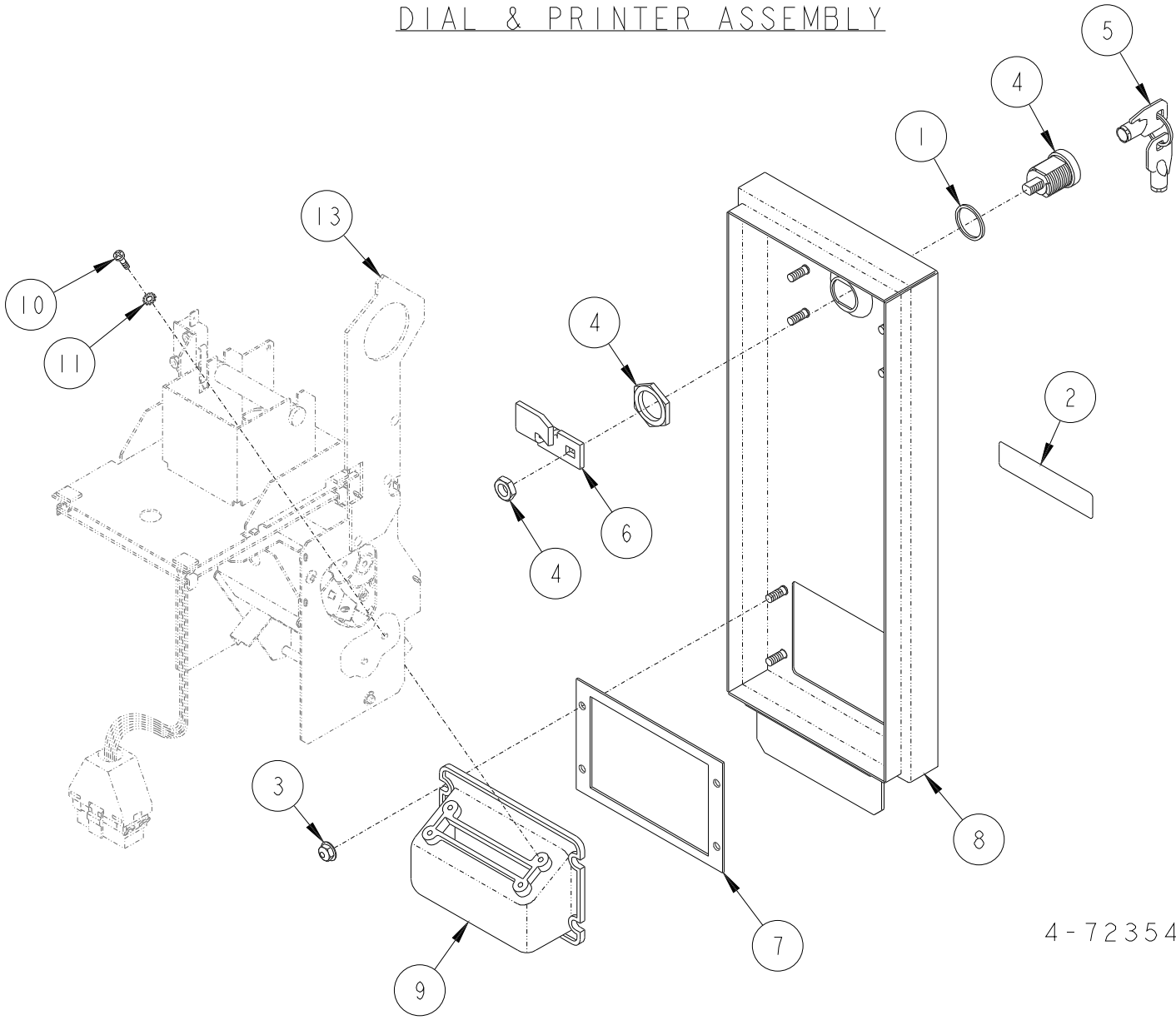
45" INSIGHT DIAL ASSEMBLY

PREMIER Parts Manual • H Models
Form 4814A, Version 5.0 February 1999

ITEM NO.	PART NO.	DESCRIPTION	ITEM NO.	PART NO.	DESCRIPTION	ITEM NO.	PART NO.	DESCRIPTION
1	4-130449	#8-32 "U" Nut	19	<u>Card Reader Kit (Includes Items #13 & 18))</u>		27	<u>Graphic DPT Dial Weld Assembly</u>	
2	1-131110	Thumb Screw				422392-1		Cash/Card
3	1-132849	Backlight Access Bracket		320922-5	Card	422292-2		Card Only
4	1-132947	Product Registration Label		320922-6	Card/Cash			
5	3-228918	Cable Clamp				28	1-422448	Graphic DPT Display
6	5-229425	Edge Protector	20	<u>Softkey Keypad Kit (Includes Item #18)</u>		29	88-50021	#6-32 x 1/4" Long Phillips Round Head Machine Screw
7	230618-1	Internal Card Reader Harness Assembly		320922-3	Card			
8	2-230689	#6 x 3/8" Long Phillips Head Self Tapping Screw		320922-4	Card/Cash	30	03-50762	#6 Shakeproof Lockwasher
9	1-232120	Lampholder Support	21	<u>Card Reader Bezel Kit (Includes Items #13 & 18)</u>		31	20-55392	#4 x 3/8" Long Hex Head Self Tapping Screw
10	1-232121	Lampholder		320922-7	Card	32	04-55531	#8-32 Nylon Insert Locknut
11	1-232122	Light		320922-8	Card/Cash			
12	1-232236	Buzzer						
13	1-233564	Card Reader Cushion	22	320922-9	Cash Acceptor Shield Kit (Includes Items #14 & 18)			<u>For complete Graphic DPT Dial Assembly order: (Doesn't Include Ballast)</u>
14	1-233565	Cash Shield Cushion				422287-4		Card Only - Upper Right
15	<u>Ballast Assembly</u>		23	<u>Lexan Window Kit (Includes Items #4, 13, 14, 18 & 20)</u>		422287-5		Card Only - Upper Left
	231193-4	120Volt		320922-1	Card	422287-6		Card - Upper Right, Cash - Lock/Non-Lock
	231193-5	240 Volt 50 Cycle		320922-2	Card/Cash	422287-7		Card - Upper Left, Cash - Lock/Non-Lock
	231193-6	240 Volt 60 Cycle						
16	33-317638	Cushion	24	422309-1	DPT Slide/PCB Bracket Assembly			
17	1-320693	Backlight Support Bracket	25	1-422311	Backlight Lampholder/ Reflector			
18	1-320764	DPT Dial Cushion	26	1-422335	Graphic DPT Board Assembly			

Tokheim Corporation
7-21

DIAL & PRINTER ASSEMBLY



4-72354

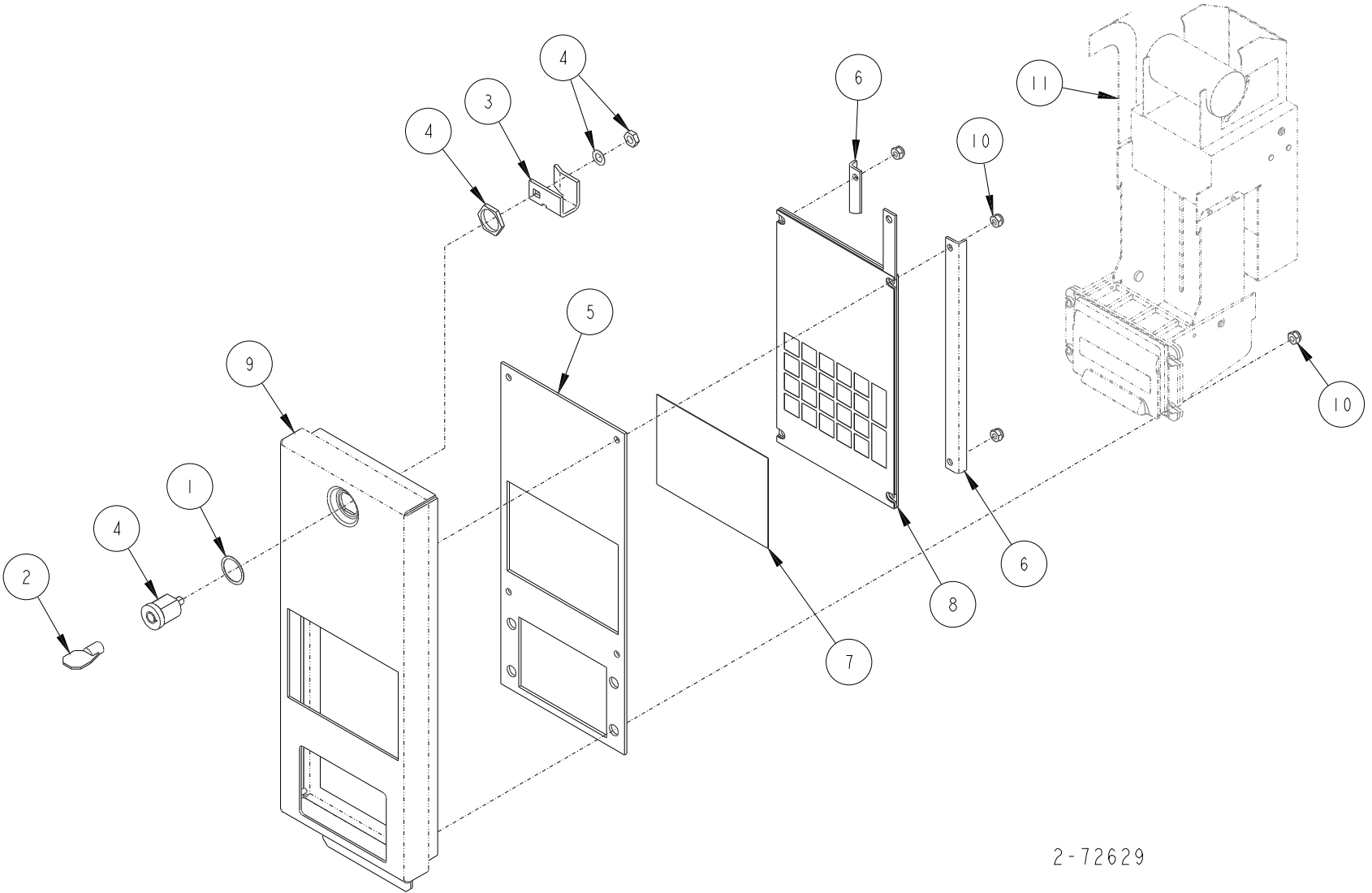
DIAL PRINTER ASSEMBLY PREMIER & ROW

ITEM NO.	PART NO.	DESCRIPTION
1	2-127656	Lock Gasket
2	1-132808	Decal (Pull Receipt Firmly)
3	1-228671	Capped Washer Lock Nut
4	1-231841	Waterproof Lock (Includes Item #5)
5	2-231841	Tubular Key (TPX 88)
6	1-232108	Lock Cam
7	1-232993	
8	<u>Printer Dial Weld Assembly</u>	
	421101-2	Premier & Euro
	421101-3	TCSA
9	1-421105	Printer Bezel
10	88-50021	#6-32 x 1/4" Long Phillips Head Machine Screw
11	03-50761	#4 Shakeproof Lockwasher

For complete Tear Bar Printer Assembly order:

421850-2 (No Dial)

GRAPHIC PRINTER DIAL ASSEMBLY
(KEYPAD & WITHOUT DEBIT)



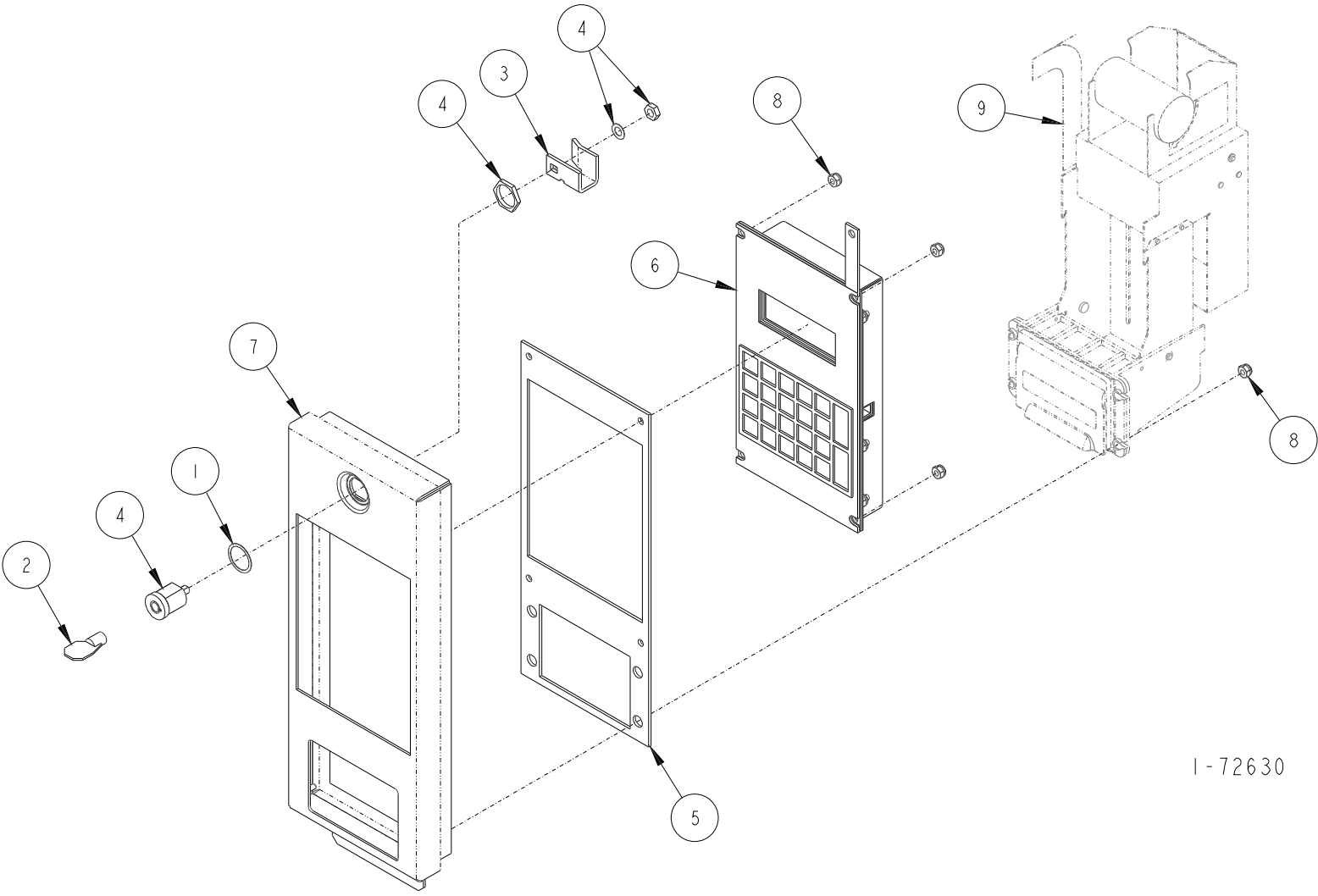
2-72629

GRAPHIC PRINTER DIAL ASSEMBLY (KEYPAD & WITHOUT DEBIT)

ITEM NO.	PART NO.	DESCRIPTION
1	2-127656	Lock Gasket
2	2-231841	Waterproof Lock Key
3	1-232959	Lock Cam
4	232962-2	Lock Assembly (Includes Items 1, 2 & 3)
5	3-233042	Printer Dial Cushion
6	1-233540	Keypad Plate Brace
7	1-233613	Printer Keypad Decal (Coverting to graphics no keypad)
8	320922-12	Non Debit Keypad Overlay Kit
9	422238-3	Graphic Printer Dial Weld Assembly
10	04-55531	#8-32 Nylon Insert Lock Nut
11	<u>For parts callout of Printer Assembly see Printer Manual Form 5121 Drawing # 72631.</u>	

For complete Graphic Printer Dial Assembly order: 320529-2

GRAPHIC PRINTER DIAL ASSEMBLY
(DEBIT)



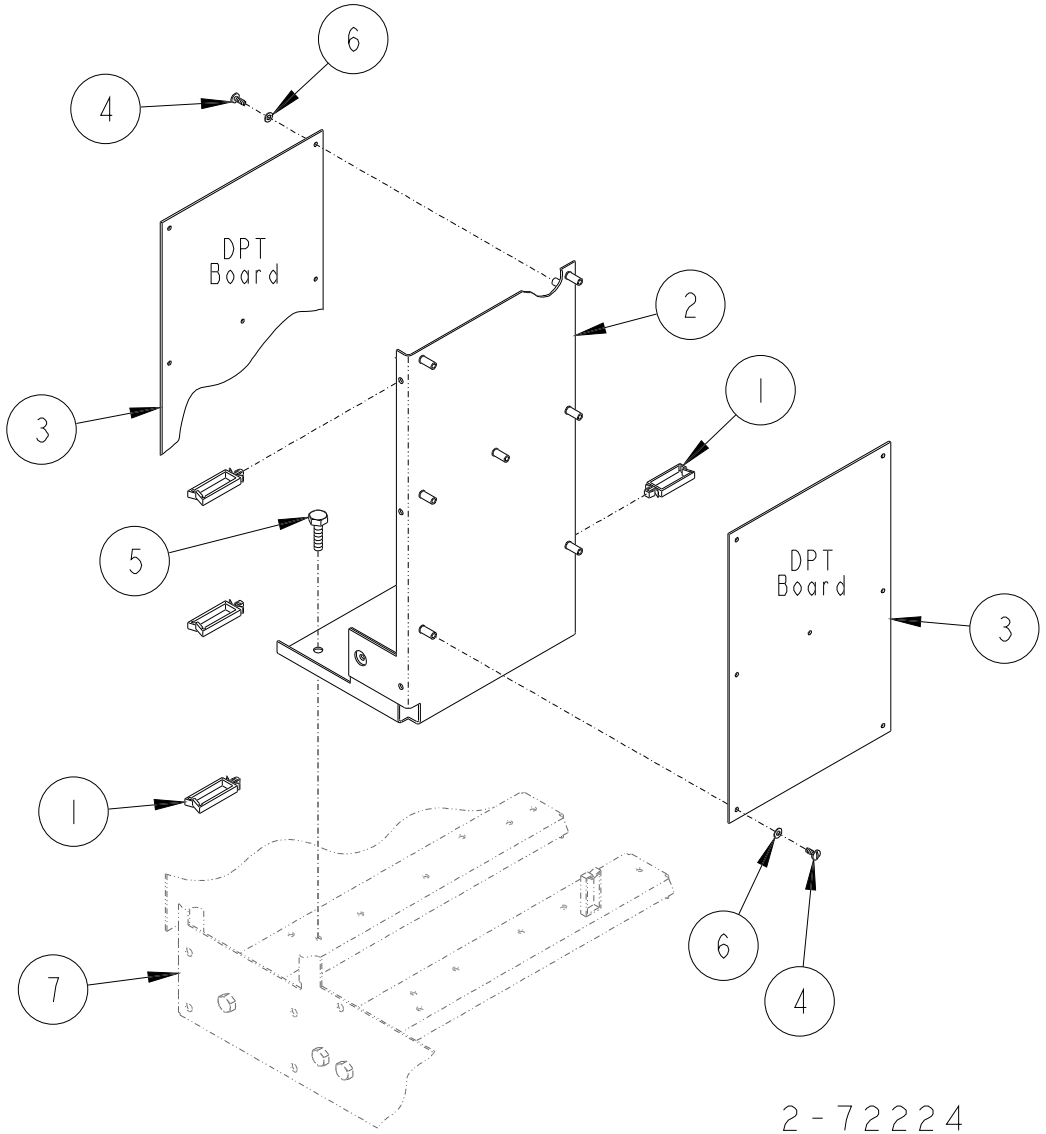
I-72630

GRAPHIC PRINTER DIAL ASSEMBLY (DEBIT)

ITEM NO.	PART NO.	DESCRIPTION
1	2-127656	Lock Gasket
2	2-231841	Waterproof Lock Key
3	1-232959	Lock Cam
4	232962-2	Lock Assembly (Includes Items 1, 2 & 3)
5	<u>Printer Dial Cushion</u>	
	1-233042	Keypad & Printer Opening
	2-233042	Printer Opening
6	320528-1	Debit Assembly
7	<u>Graphic Printer Dial Weld Assembly</u>	
	422238-1	Keypad & Printer
	422238-2	Printer Only
8	04-55531	#8-32 Nylon Insert Lock Nut
9	<u>For parts callout of Printer Assembly see Printer Manual Form 5121 Dwg. 72631.</u>	

For complete Graphic Printer Dial Assembly order 320529-1.

30" DPT BOARD SUPPORT ASSEMBLY

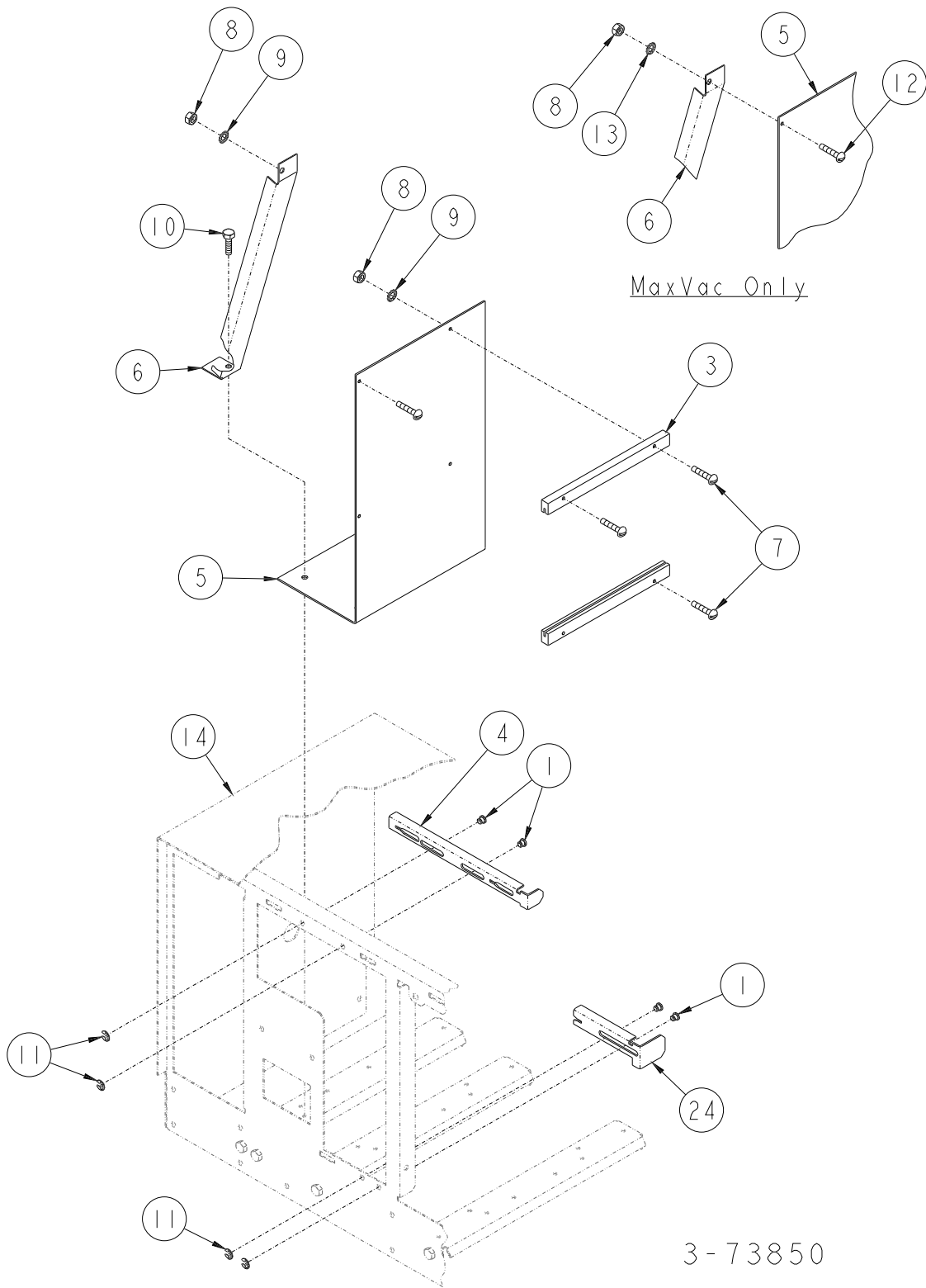


2-72224

30" DPT BOARD SUPPORT ASSEMBLY

ITEM NO.	PART NO.	DESCRIPTION
1	1-132718	Cable Retainer
2	319627-1	DPT Board Support Assembly
3	<u>DPT Board Assembly</u>	
	420929-1	Paper Cutter
	420929-2	TCS "A"
	420929-3	Paper Cutter (Gasboy)
	420929-4	Tear Bar Printer
	420929-5	Tear Bar Printer (Gasboy)
	420929-8	Hebrew
	550-314950	Eprom (JP Prefixed Software)
	421844-1	Paper Cutter (Debit)
	421844-2	Tear Bar Printer (Debit)
	662-314950	Eprom (MT Prefixed Software)
	1-422335	InSight
4	92-50021	#6-32 x 3/8" Long Phillips Round Head Screw
5	69-55392	1/4 x 1/2" Long P-K Self Tapping Screw
6	03-50761	#6 Shakeproof Lockwasher
7	<u>For parts call out of Head Assembly see 73870.</u>	
<u>Reference for Tokheim internal use only:</u>		
	319630	Head Assembly (Premier)
	421912	Head Assembly (TCSA)

45" DPT SLIDE SUPPORT ASSEMBLY (NOT USED WITH CASH ACCEPTOR)



45" DPT SLIDE SUPPORT ASSEMBLY

ITEM NO.	PART NO.	DESCRIPTION
1	2-130330	Pivot Pin
2	1-231850	DPT Latch Bracket (Bottom)
3	1-231873	Vault Slide Retainer
4	1-319414	DPT Latch Bracket (Top)
5	1-319499	Slide Support
6	1-421192	Slide Support Brace
7	100-50001	#6-32 x 3/4" Long Round Head Machine Screw
8	03-50211	#6-32 Hex Nut
9	21-50761	#6 Shakeproof Lockwasher
10	10-51491	#14 x 1/2" Long Hex Head P.K. Self Tapping Screw
11	06-52482	Retaining Ring
12	96-50001	#6-32 x 1/2" Long Round Head Machine Screw
13	03-50762	#6 Shakeproof Lockwasher
14	<u>For parts call out of Head Assembly see 73829.</u>	

Reference for Tokheim internal use only:

319504	Slide Support Assembly
319393	Head Assembly

1 X 5 KEYPAD OVERLAY

PART NO.	DESCRIPTION	PART NO.	DESCRIPTION
<u>Arco</u>		<u>Exxon</u>	
67-132753	H422B	64-132753	H426B
<u>Canada</u>		65-132753	H426B
9-132753	H422B "Obsolete"	<u>Goode Omega</u>	
12-132753	H322B-RB3 (Use 14-132753)	26-132753	H422B-R
14-132753	H322B-RB3 (Use 3-132830)	<u>Kocolene</u>	
3-132830	H322B-RB3	61-132753	H424B & H322B-RB5 Side "A"
<u>Chevron</u>		62-132753	H424B & H322B-RB5 Side "B"
20-132753	H422B	<u>Latin America</u>	
23-132753	H426B	69-132753	H322B-RB3 (Terpel)
24-132753	H422B	<u>Love's Market</u>	
35-132753	H426B (Jobbers) "Obsolete"	27-132753	H422B
<u>Clark Oil</u>		28-132753	H322B-RB5
29-132753	H422B & H322B-RB3	<u>Marathon</u>	
<u>Coastal Mart</u>		6-132753	H422B (Use 51-132753)
14-132753	H422B (Use 3-132830)	7-132753	H422B (Use 52-132753)
3-132830	H422B	42-132753	H424B Side "A" (Use 53-132753)
<u>Conoco</u>		43-132753	H424B Side "B" (Use 54-132753)
10-132753	H422B (Use 5-132830)	51-132753	H422B Side "A"
5-132830	H422B	52-132753	H422B Side "B"
<u>Curts Oil</u>		53-132753	H424B Side "A"
66-132753	H322B-RB5	54-132753	H424B Side "B"
<u>Emro</u>		70-132753	H426B
8-132753	H422B		

1 X 5 KEYPAD OVERLAY

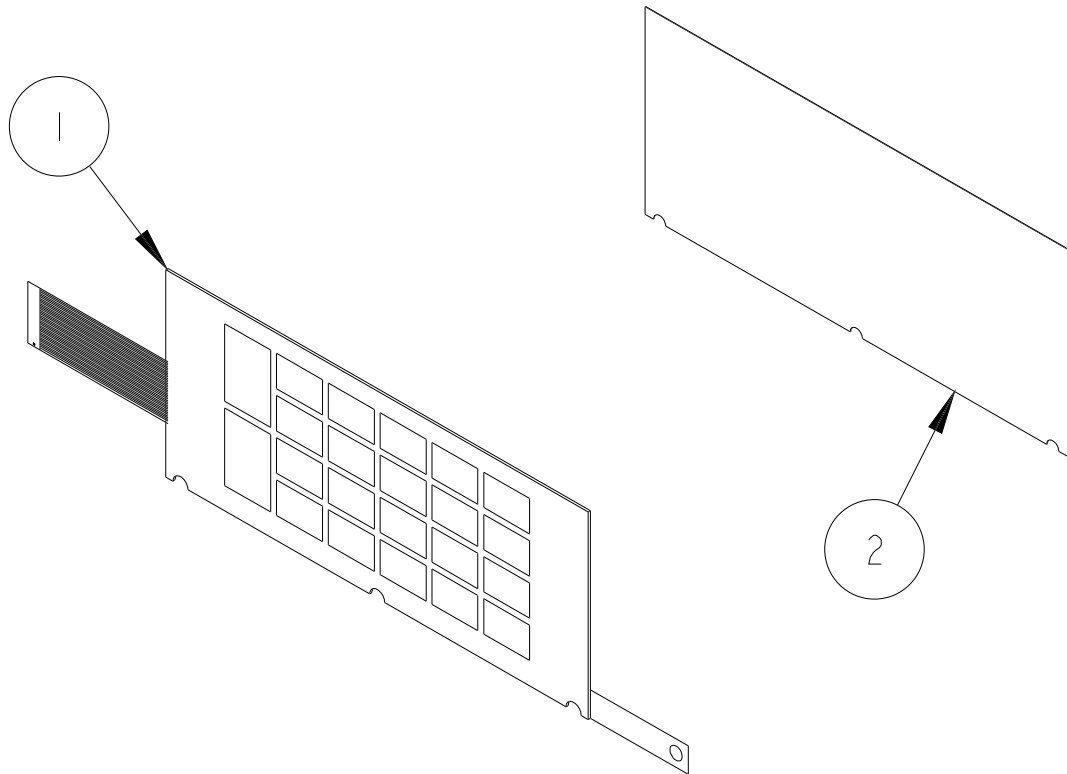
PART NO.	DESCRIPTION	PART NO.	DESCRIPTION
<u>Phillips</u>		<u>Super America (Continued)</u>	
3-132753	H422B (Use 15-132753)	58-132753	H422B (87-89-92 Octane)
15-132753	H422B	59-132753	H422B (87-90-93 Octane)
<u>Pilot Oil</u>		9-132830	H422B (93-89-87 Octane)
11-132753	H422B (Use 6-132830)	<u>Terpel (Colombia)</u>	
25-132753	H422B	69-132753	H322B-RB3
6-132830	H422B	<u>Texaco</u>	
<u>Shell</u>		5-132753	H422B (Use 21-132753 or 22-132753)
40-132753	H426B	21-132753	H422B Side "A"
41-132753	H422B	22-132753	H422B Side "B"
55-132753	H424B Side "A"	7-132830	H424B Side "A"
56-132753	H424B Side "B"	8-132830	H424B Side "B"
<u>Sunoco</u>		<u>Thornton Oil</u>	
18-132753	H322B-RB5	36-132753	H422B
<u>Super America</u>		37-132753	H424B
19-132753	H422B (Use 50-132753)	44-132753	H424B
30-132753	H322B (K-1) (Use 48-132753)	<u>Tokheim Corporation</u>	
31-132753	H322B (Diesel) (Use 49-132753)	2-132753	H422B
34-132753	H422B (Use 50-132753)	4-132753	H422B (Use 17-132753)
48-132753	H322B K1	13-132753	H322B-RB5
49-132753	H322B (Diesel)	16-132753	H322B-RB5 (Use 4-132830)
50-132753	H422B (87-89-93 Octane)	17-132753	H422B (Use 2-132830)
57-132753	H422B (87-90-92 Octane)		

1 X 5 KEYPAD OVERLAY

PART NO.	DESCRIPTION	PART NO.	DESCRIPTION
<u>Tokheim Corporation (Continued)</u>			
32-132753	H428B (Use 60-132753 or 63-132753)		
33-132753	H311B		
60-132753	H428B Side "A"		
63-132753	H428B Side "B"		
2-132830	H422B		
4-132830	H322B-RB5		
<u>Total Petroleum</u>			
38-132753	H424B (Use 46-132753 or 47-132753)		
39-132753	H422B (Use 45-132753)		
45-132753	H322B		
46-132753	H424B		
47-132753	H424B		
<u>W.B. Goode</u>			
26-132753	H422B		
			1-71145

 For your notes!

KEYPAD, OVERLAY & DECAL ASSEMBLY



4-71142

DPT KEYPAD OVERLAY

PART NO.	DESCRIPTION	PART NO.	DESCRIPTION
1		<u>Amoco (Continued)</u>	
320131-3	Options Keypad & Cushion Assembly	11-232840	Single/Dual Price/DPT Cash/Card (CDF)
		20-232840	Single/Dual Price
2		21-232840	Single/Dual Price/DPT Card/Cash Acceptor
<u>Abu Dhabi</u>		59-232840	Single/Dual Price/ Speaker
78-232104	Use 51-232840	60-232840	Single/Dual Price/DPT Card/Speaker
51-232840	Single Price/Preset	61-232840	Single/Dual Price/DPT Card/Cash Acceptor/ Speaker
<u>Amerada Hess</u>		62-232840	Single/Dual Price/DPT Cash Acceptor/Speaker
55-232860	DPT	63-232840	Single/Dual Price/DPT Cash Acceptor
<u>Amoco</u>		87-232840	Single/Dual Price/DPT Card/Speaker/Pump Stop
2-232104	Use 11-232840	34-232860	Single/Dual Price/DPT Card
21-232104	Use 20-232840	39-232860	Single/Dual Price/DPT Card (New Jersey)
22-232104	Use 4-232840	<u>Arco</u>	
23-232104	Use 21-232840	33-232383	Use 93-232840
24-232104	Dual Price/DPT Cash/ Card "Obsolete"	5-232795	Debit, DPT
45-232104	Use 21-232104	93-232840	Single Price/DPT Card/ Speaker
80-232104	Use 59-232840		
81-232104	Use 60-232840		
82-232104	Use 61-232840		
83-232104	Use 62-232840		
84-232104	Use 63-232840		
21-232383	Use 87-232840		
4-232840	Single/Dual Price/DPT Card		

DPT KEYPAD OVERLAY

PART NO.	DESCRIPTION	PART NO.	DESCRIPTION
<u>Army/Airforce</u>		<u>Chevron (Continued)</u>	
05-232104	Single Price "Obsolete"	67-232840	Single Price/DPT
62-232104	Use 33-232383	<u>Citgo</u>	
33-232383	Use 93-232840	94-232104	Use 77-232840
93-232840	Single Price/DPT Card/ Speaker	95-232104	Use 78-232840
<u>Brazil</u>		32-232840	Single Price/Speaker
16-232383	Use 74-232840	77-232840	H426B (Single Price/ DPT/Speaker)
74-232840	Single Price/Preset	78-232840	H422B (Single Price/ DPT/Speaker)
<u>British Petroleum</u>		<u>Coastal Mart</u>	
30-232383	Use 91-232840	48-232104	Use 34-232840
91-232840	Single Price/DPT/Speaker	63-232104	Use 38-232840
<u>Brookshire/Pump Masters</u>		64-232104	Use 39-232840
20-232860	DPT	65-232104	Use 40-232840
<u>Canada</u>		68-232104	Use 43-232840
59-232104	Single Price/Preset/ Speaker "Obsolete"	69-232104	Use 44-232840
<u>Chevron</u>		34-232840	H426B (Single Price/ Speaker)
44-232104	Use 6-232840	38-232840	H426B (Single Price/ DPT/Speaker)
79-232104	Use 58-232840	39-232840	H422B (Single Price/ Speaker)
88-232104	Use 67-232840	40-232840	H422B (Single Price/ DPT/Speaker)
89-232104	Single Price/DPT Yes/No "Obsolete"	43-232840	H422B (Single Price/ Preset)
90-232104	Single Price/DPT Yes/ No/Speaker "Obsolete"	44-232840	H422B (Single Price/ Preset/Speaker)
6-232840	Single Price		
58-232840	Single Price/DPT		

DPT KEYPAD OVERLAY

PART NO.	DESCRIPTION	PART NO.	DESCRIPTION
<u>Conoco</u>		<u>Emro (Continued)</u>	
17-232860	DPT/Cash Acceptor/DPT Unattended Location	47-232104	H426B (Single Price/DPT Cash/Speaker) "Not Released"
23-232860	H422B & H424B-RB3 (3+1)(Single Price/DPT/Speaker)	53-232104	Use 99-232104
24-232860	H426B (Single Price/DPT/Speaker)	56-232104	Use 97-232104
Diamond Shamrock		96-232104	Use 79-232840
25-232383	Use 89-232840	97-232104	Use 80-232840
3-232795	Single Price/DPT Card Debit/Speaker	98-232104	Use 81-232840
89-232840	Single Price/DPT Card/Speaker	99-232104	H422B (Dual Price/DPT Card/Cash/Speaker)
<u>Distributor</u>		28-232840	H322B, H422B & H426B (Single Price/Speaker)
18-232104	Use 17-232840	29-232840	H426B (Single Price/Speaker)
61-232104	Use 37-232840	79-232840	H426B (Single Price/DPT Card/Speaker)
17-232840	Dual Price/DPT Card/Speaker	80-232840	H426B (Dual Price/DPT Card/Cash/Speaker)
37-232840	Dual Price/DPT Card CFN	81-232840	H322B, H422B & H426B (Single Price/DPT/Speaker)
<u>Emro</u>		<u>Evergreen Oil</u>	
36-232104	Use 28-232840	18-232840	DPT/Speaker
37-232104	Use 98-232104	53-232840	DPT/Without Car Wash Application
38-232104	Use 29-232840	54-232840	DPT/With Car Wash Application
39-232104	Use 96-232104		
46-232104	H422B (Single Price/DPT Cash/Speaker) "Not Released"		

DPT KEYPAD OVERLAY

PART NO.	DESCRIPTION	PART NO.	DESCRIPTION
<u>Exxon</u>		<u>Kocolene</u>	
2-232795	DPT Card Debit/Cash	15-232860	Single Price/DPT/ Speaker
<u>Getty Oil</u>		<u>Kuwait</u>	
68-232840	DPT/Speaker	8-232383	Use 69-232840
<u>Giant Industries</u>		12-232383	Use 72-232840
9-232795	Des	69-232840	Single Price
<u>Graham C-Stores (Badger Oil)</u>		72-232840	Single Price/Preset
13-232383	Use 73-232840	<u>Latin America</u>	
73-232840	Single Price/DPT Card/ Speaker	70-232104	Use 3-232840
<u>Gulf Oil</u>		71-232104	Use 45-232840
43-232860	Single Price/Dpt/Speaker	72-232104	Use 46-232840
<u>Holiday Oil</u>		73-232104	Use 47-232840
13-232860	DPT/Speaker	74-232104	Use 48-232840
<u>Israel</u>		3-232840	Single Price/Preset
<u>Alon Oil (Trigon)</u>		45-232840	Single Price
7-232840	Single Price/DPT Cash/ Card	46-232840	Dual Price/Preset/ Speaker
<u>(Paz Oil)</u>		47-232840	Single Price/Preset/ Speaker
93-232104	Use 76-232840	48-232840	Dual Price/Preset
40-232383	Use 1-232860	<u>Loaf N' Jug (J-8 Equipment Co.)</u>	
76-232840	Dual Price/Dpt Card	27-232860	DPT For Car Wash
1-232860	No DPT	33-232860	DPT Without Car Wash Application
<u>J-8 Equipment Co.</u>		<u>Love's Country Store</u>	
25-232860	DPT/Speaker	18-232104	Use 17-232840

DPT KEYPAD OVERLAY

PART NO.	DESCRIPTION	PART NO.	DESCRIPTION
<u>Love's Country Store (Continued)</u>		<u>Marathon (Continued)</u>	
44-232104	Use 6-232840	21-232860	H426B (Single Price/ DPT/Speaker)
6-232840	Single Price		
17-232840	Single Price/DPT Card/ Speaker	<u>Merit Oil</u>	
		58-232104	Use 36-232840
<u>Marathon</u>		65-232104	Use 40-232840
29-232104	Use 26-232840	29-232383	Single Price/DPT Card
30-232104	Use 98-232104	9-232840	H426B (Single Price/ DPT/Speaker)
31-232104	Use 27-232840	36-232840	H426B (Single Price)
32-232104	Use 96-232104	40-232840	H422B (Single Price/ DPT Card/Speaker)
96-232104	Use 79-232840	37-232860	H426B (Single Price/ DPT/Speaker)
98-232104	Use 81-232840	42-232860	H426B (Single Price/ DPT/Speaker)
1-232383	Use 52-232840	<u>Mobil</u>	
2-232383	Use 3-232383	33-232104	Single Price/Speaker
3-232383	Use 53-232840	34-232104	Single Price/DPT Card/ Speaker
26-232840	H422B (Single Price/ Speaker)	35-232104	Single Price/DPT Cash/ Card/Speaker
27-232840	H426B (Single Price/ Speaker)	9-232383	Use 9-232840
52-232840	H422B (Single Price/DPT Card)	57-232840	Single Price/Preset "Portugal"
53-232840	H422B (Single Price/DPT Card/Speaker)	<u>Nigeria</u>	
65-232840	Use 21-232860	4-232383	Use 54-232840
79-232840	H426B (Single Price/DPT Card/Speaker)	54-232840	Single Price/Preset
81-232840	H422B (Single Price/DPT Card/Speaker)		

DPT KEYPAD OVERLAY

PART NO.	DESCRIPTION	PART NO.	DESCRIPTION
<u>Pakistan</u>		<u>S-M Petroleum/Quick Pay</u>	
18-232383	Use 84-232840	52-232860	DPT
84-232840	Single Price/Preset	<u>Seigle Oil</u>	
<u>Philippines</u>		46-232860	Dual Price/DPT/Speaker
66-232104	Use 41-232840	<u>Shell</u>	
41-232840	Single Price	11-232383	Use 71-232840
<u>Phillips</u>		20-232383	Use 86-232840
12-232104	Use 8-232840	22-232383	Use 4-232975
13-232104	Use 13-232840	34-232383	Use 94-232840
75-232104	Use 49-232840	35-232383	Use 95-232840
8-232840	H422B (Single Price/DPT Card/Speaker)	36-232383	Use 96-232840
13-232840	H426B (Single Price/DPT Card)	37-232383	Use 97-232840
14-232840	H426B (For Use With Verifone)	38-232383	Use 98-232840
16-232840	H422B (For Use With Verifone)	39-232383	Use 99-232840
49-232840	H422B (Single Price/DPT Card/Speaker)	4-232795	Single Price/DPT Debit/Speaker
<u>Pilot Oil</u>		28-232840	Single Price/Speaker
5-232840	DPT	71-232840	Single Price/DPT/Speaker
<u>Rebel Oil</u>		86-232840	Single Price/Preset "Kenya"
35-232860	H322B & H422B (DPT)	94-232840	DPT Card/Preset "Brazil"
36-232860	H426B (DPT)	95-232840	DPT Card/Preset "Latin America"
<u>Rich Oil</u>		96-232840	DPT "Latin America"
12-232860	Single Price		

DPT KEYPAD OVERLAY

PART NO.	DESCRIPTION	PART NO.	DESCRIPTION
<u>Shell (Continued)</u>		<u>Sunoco (Continued)</u>	
97-232840	DPT Cash/Card/Preset/ Speaker "Latin America"	28-232383	Use 90-232840
98-232840	DPT Card/Preset/ Speaker "Latin America"	90-232840	Single Price/DPT/ Speaker
99-232840	DPT Cash/Card/Preset/ Speaker "Latin America"	<u>Superamerica</u>	
		54-232104	Use 5-232840
		14-232383	Use 10-232840
<u>Sinclair Oil</u>		5-232840	Single Price/DPT Card/ Speaker
35-232860	Single Price/DPT	10-232840	Single Price/Max Vac
<u>Skyhaus</u>		12-232840	Single Price
9-232860	Dual Price/DPT/Speaker	<u>Swiftly</u>	
<u>South Africa</u>		61-232104	37-232840
85-232104	Use 64-232840	37-232840	Dual Price/DPT
64-232840	Single Price/Preset/ Speaker	<u>Syria</u>	
<u>Southland</u>		87-232104	Use 66-232840
25-232104	Use 22-232840	17-232383	Use 83-232840
26-232104	Use 23-232840	66-232840	Single Price/Preset
55-232104	Use 35-232840	83-232840	Single Price/Last Sale/ Preset
22-232840	H422B (Single Price/ DPT/Speaker)	<u>Terrible Herbst</u>	
23-232840	H426B (Single Price/ DPT/Speaker)	22-232860	Single Price/DPT/ Speaker
35-232840	Single Price/Speaker	<u>Texaco</u>	
<u>Stop-N-Save</u>		15-232104	Use 14-232840
26-232860	DPT	16-232104	Use 15-232840
<u>Sunoco</u>		17-232104	Use 16-232840
77-232104	Use 28-232383		

DPT KEYPAD OVERLAY

PART NO.	DESCRIPTION	PART NO.	DESCRIPTION
<u>Tokheim Corporation (Continued)</u>		<u>Total (Continued)</u>	
31-232840	H426B (Single Price/ Preset/Speaker)	26-232383	Use 43-232383
32-232840	H426B (Single Price/ Speaker)	27-232383	Use 42-232383
33-232840	H426B (Dual Price/ Speaker)	42-232383	Use 2-232860
37-232840	H426B (Dual Price)	43-232383	Use 3-232860
42-232840	H422B (Single Price/ Speaker)	26-232840	H422B (Single Price/ Speaker)
44-232840	H422B (Single Price/ Preset/Speaker)	27-232840	H426B (Single Price/ Speaker)
55-232840	H426B (Single Price/ DPT/Speaker)	32-232840	H426B (Single Price/ Speaker)
56-232840	H422B (Single Price/ DPT/Speaker)	42-232840	H422B & H424B (Single Price/Speaker)
68-232840	H422B (Dual Price/DPT/ Speaker)	2-232860	H422B & H424B (Single Price/DPT/ Speaker)
75-232840	H426B (Dual Price/DPT/ Speaker)	3-232860	H422B (Single Price/ DPT/Speaker)
88-232840	H422B (Single Price/ Preset)	41-232860	H426B (Single Price/ DPT/Speaker)
3-232860	H422B (Single Price/ DPT/Speaker)	<u>Turkey</u>	
41-232860	H426B (Single Price/ DPT/Speaker)	76-232104	Use 50-232840
<u>Total</u>		50-232840	Dual Price/Preset
29-232104	Use 26-232840	<u>Turkey Hill</u>	
31-232104	Use 27-232840	86-232104	Use 65-232840
50-232104	Use 27-232383	10-232795	Use 12-232795
		12-232795	
		65-232840	Dual Price/DPT/Speaker

DPT KEYPAD OVERLAY

PART NO.	DESCRIPTION	PART NO.	DESCRIPTION
<u>United Dairy Farmers</u>			
44-232383	Use 4-232860		
4-232860	Single Price/DPT/ Speaker		
<u>Unocal</u>			
32-232383	Use 92-232840		
11-232795			
92-232840	H426B (Single Price/ Speaker)		
29-232860	H422B & H424B (Single Price/Speaker)		
30-232860	H426B (Single Price/ Speaker)		
31-232860	H426B (Single Price)		
32-232860	H426B (Single Price/ DPT/Speaker)		
<u>Unover</u>			
5-232860	Single Price/DPT		
6-232860	Single Price		
7-232860	Single Price/Speaker		
8-232860	Single Price/DPT/ Speaker		
10-232860	Single Price/DPT/ Emergency Stop		
11-232860	Single Price/DPT/ Emergency Stop		
4-71142			