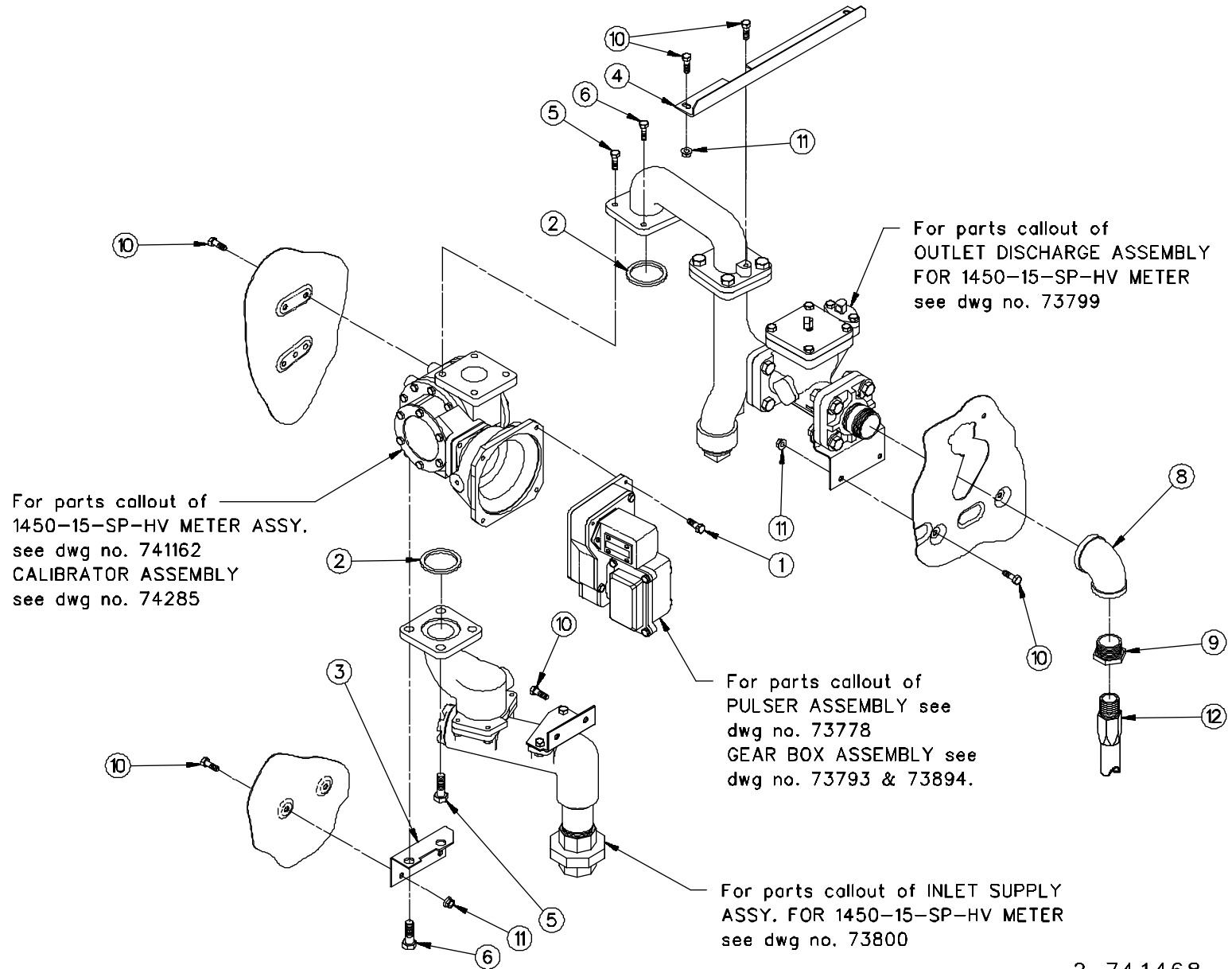


Section Six

262A High Volume Systems

	Page	
	Number	
<i>Tokheim Meter and Valve System</i>		2
Tokheim, 1450 Meter with 1550 Valve	6-2, 6-3	2
Satellite System for 1450 Meter with 1550 Valve	6-4, 6-5	A
Inlet Supply Assembly	6-6, 6-7	
Outlet Discharge Assembly	6-8, 6-9	
<i>LC Meter System with Tokheim 1550 Valve</i>		D
LC Meter with Tokheim 1550 Valve Assembly	6-10, 6-11	I
Inlet Supply Assembly	6-12, 6-13	S
Outlet Discharge Assembly	6-14, 6-15	P
<i>LC Meter System with Skinner Valve</i>		E
LC Meter with Skinner Valve Assembly	6-16, 6-17	
Satellite System	6-18, 6-19	
Inlet Supply Assembly	6-20, 6-21	
Outlet Discharge Assembly	6-22, 6-23	
<i>High Volume (1550-15-SP-HV) Valve Assembly</i>	6-24, 6-25	N
		S
		E
		R

1450-15-SP-HV METER ASSEMBLY WITH TOKHEIM 1550-15-SP-HV VALVE



2-741468

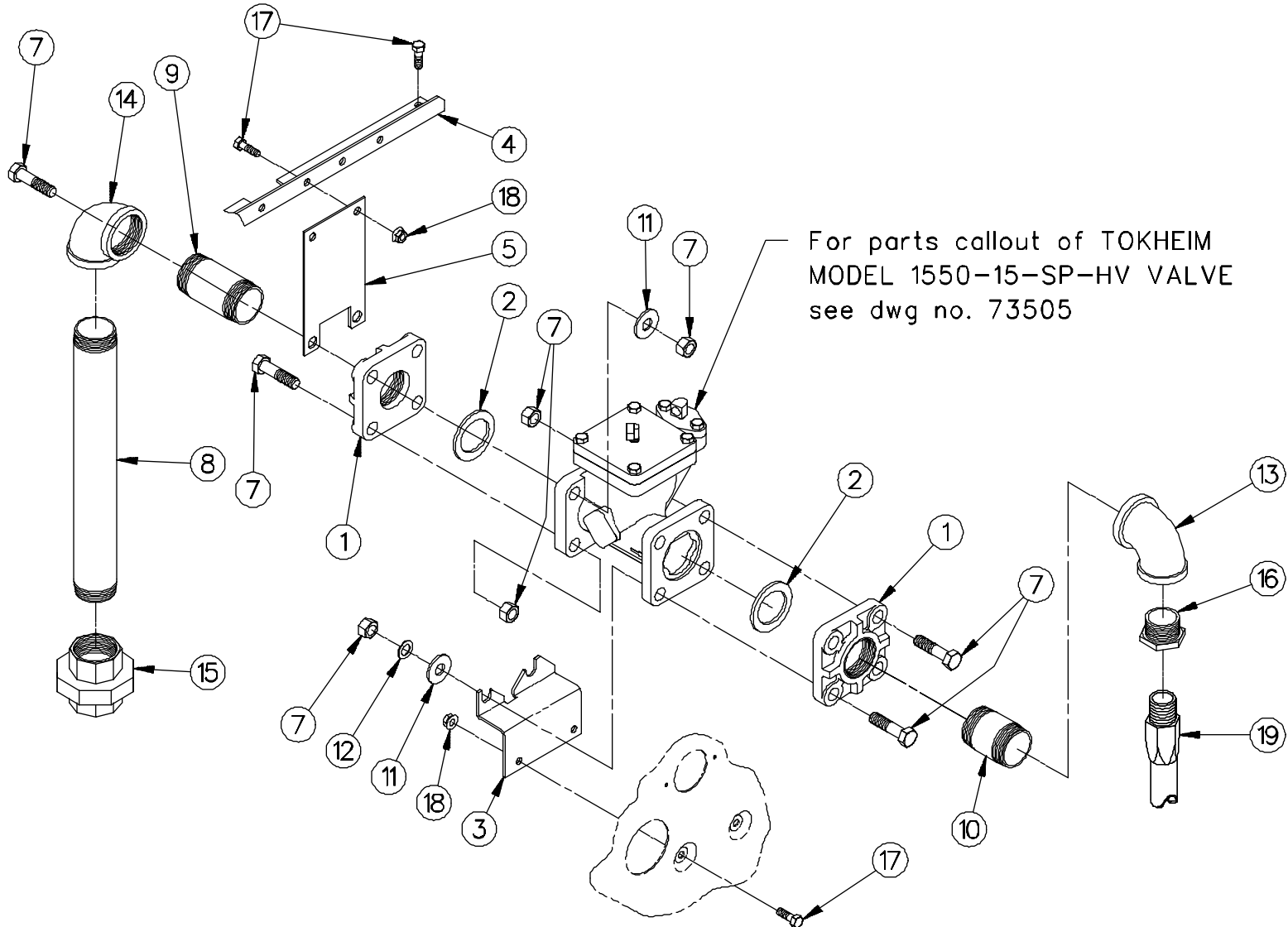
1 of 1

TOKHEIM ASSEMBLY (1450 METER WITH 1550 VALVE)

<u>Item</u>	<u>Part No.</u>	<u>Description</u>
1	1-129513	1/4-20 x 1" Long Hex Head Seal Screw
2	7-313235	Gasket
3	1-316520	Meter Support
4	1-316525	Support
5	127-50361	1/2-13 x 1" Long Hex Head Cap Screw
6	128-50361	1/2-13 x 1-1/4" Long Hex Head Cap Screw
7	17-50641	1/2" Lockwasher
8	15-51681	1-1/2" x 1-1/4" 90° Reducing Elbow
9	16-51851	1-1/4" x 1" Hex Bushing
10	35-54742	5/16-18 x 5/8" Long M-F Hex Head Whiz-Lock Screw
11	02-54752	5/16-18 M-F Flange Whiz-Lock Nut
12	001-547812-00	1" x 12'-0" Long Hose

2-741468

SATELLITE SYSTEM FOR 1450-15-SP-HV METER (WITH TOKHEIM 1550-15-SP-HV VALVE)



2-73798

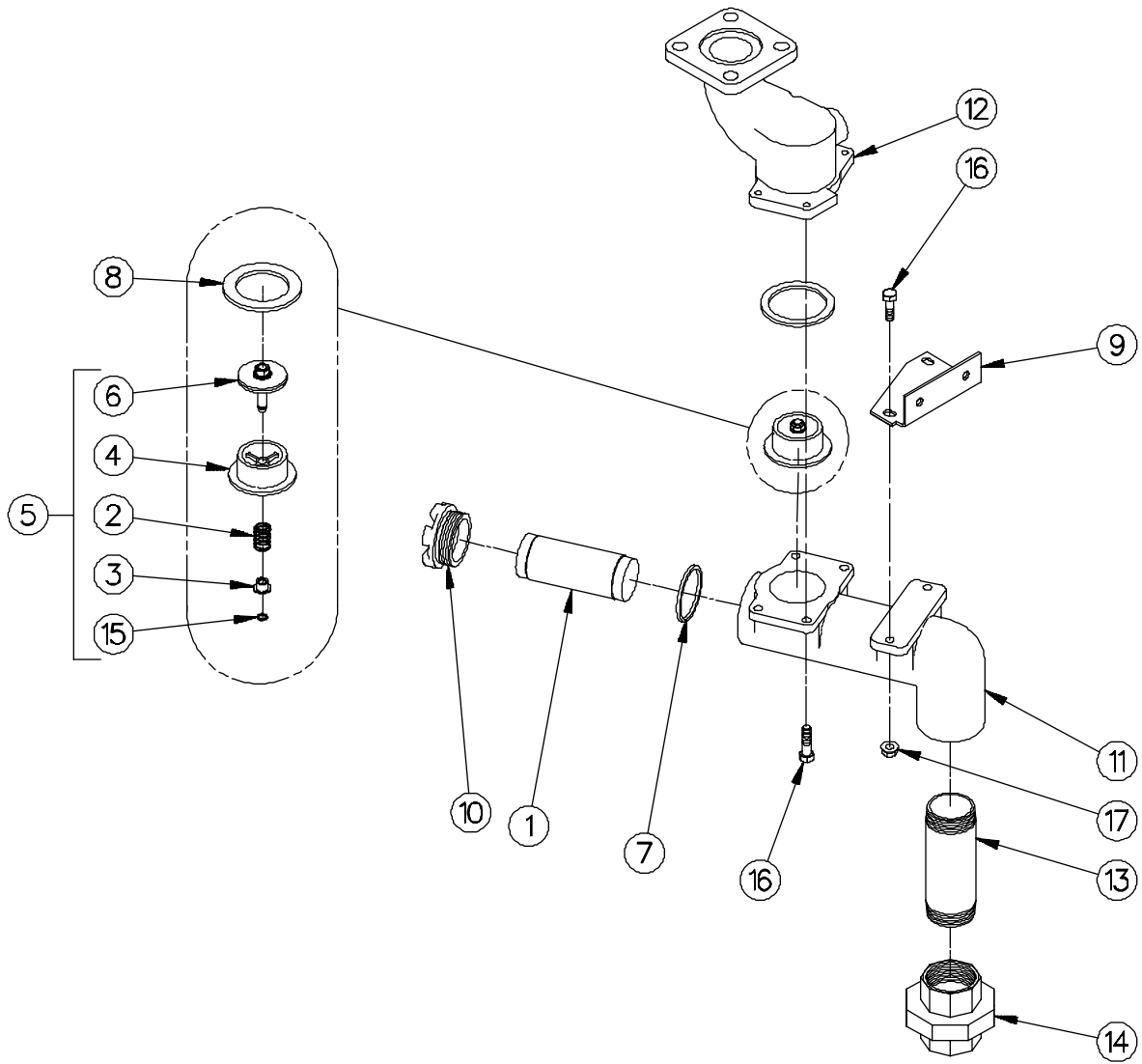
1 of 1

**SATELLITE SYSTEM FOR TOKHEIM 1450 METER
WITH 1550 VALVE**

<u>Item</u>	<u>Part No.</u>	<u>Description</u>
1	2-221447	Companion Flange
2	7-313235	Gasket
3	1-316524	Valve Support
4	1-316525	Support
5	1-316541	Valve Hanger
6	05-50301	1/2-13 Hex. Nut
7	131-50361	1/2-13 x 2" Long Hex Head Cap Screw
8	284-50510	1-1/2" x 14" Long Pipe
9	121-50560	1-1/2" x 3-1/2" Long Pipe Nipple
10	119-50561	1-1/2" x 2-1/2" Long Pipe Nipple
11	06-50611	1/2" Plate Washer
12	17-50641	1/2" Lockwasher
13	15-51681	1-1/2" x 1-1/4" 90° Reducing Elbow
14	08-51700	1-1/2" x 90° Pipe Elbow
15	27-51780	1-1/2" Union - Female
16	16-51851	1-1/4" x 1" Hex Bushing
17	35-54742	5/16-18 x 5/8" Long M-F Hex Head Whiz-Lock Screw
18	02-54752	5/16-18 M-F Flange Whiz-Lock Nut
19	001-547812-00	1" x 12'-0" Long Hose

2-73798

INLET SUPPLY ASSEMBLY FOR 1450-15-SP-HV METER



1-73800

1-73800

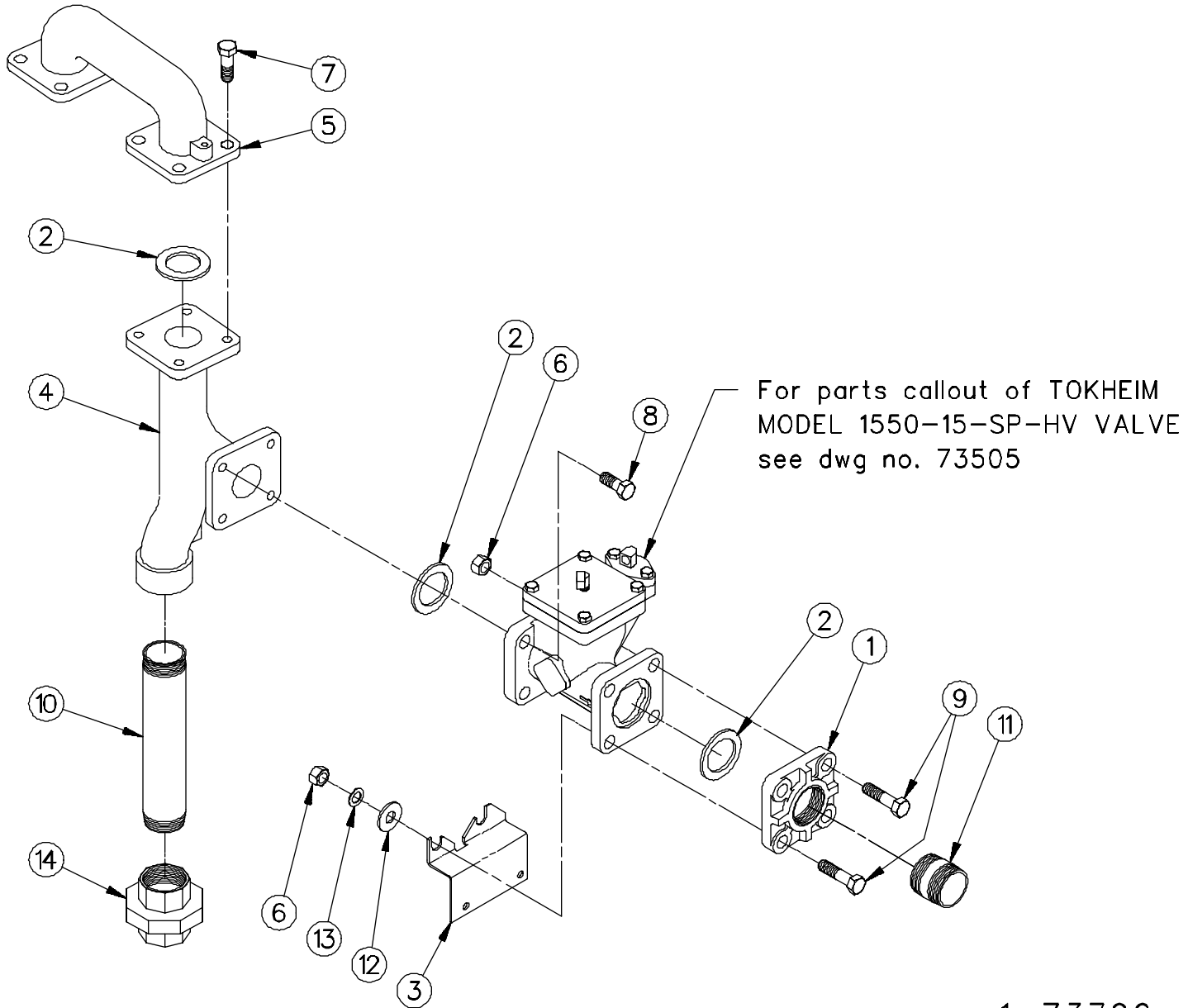
1 of 1

INLET SUPPLY ASSEMBLY FOR 1450 METER

<u>Item</u>	<u>Part No.</u>	<u>Description</u>
1	2-115075	Suction Screen Complete (Diesel)
2	1-121564	Poppet Spring
3	1-130758	Poppet Spring Retainer
4	1-225980	Check Valve Seat
5	225981-1	Check Valve Assembly (Includes Items 1,2,4,6 & 15)
6	225981-2	Poppet Assembly
7	127-311105	Gasket
8	15-313235	Gasket
9	1-316526	Strainer Support
10	1-316957	Strainer Cap
11	1-415410	Strainer Body
12	1-416878	Meter Inlet
13	124-50560	1-1/2 X 5" Long Pipe Nipple
14	27-51780	1-1/2" Union Female
15	08-53270	Reliance Square Snap Ring (Closed)
16	38-54742	5/16-18 X 1" Long M-F Hex. Head Whiz-Lock Screw
17	02-54752	5/16-18 M-F Flange Whiz-Lock Nut

1-73800

OUTLET DISCHARGE ASSEMBLY FOR 1450-15-SP-HV METER



1-73799

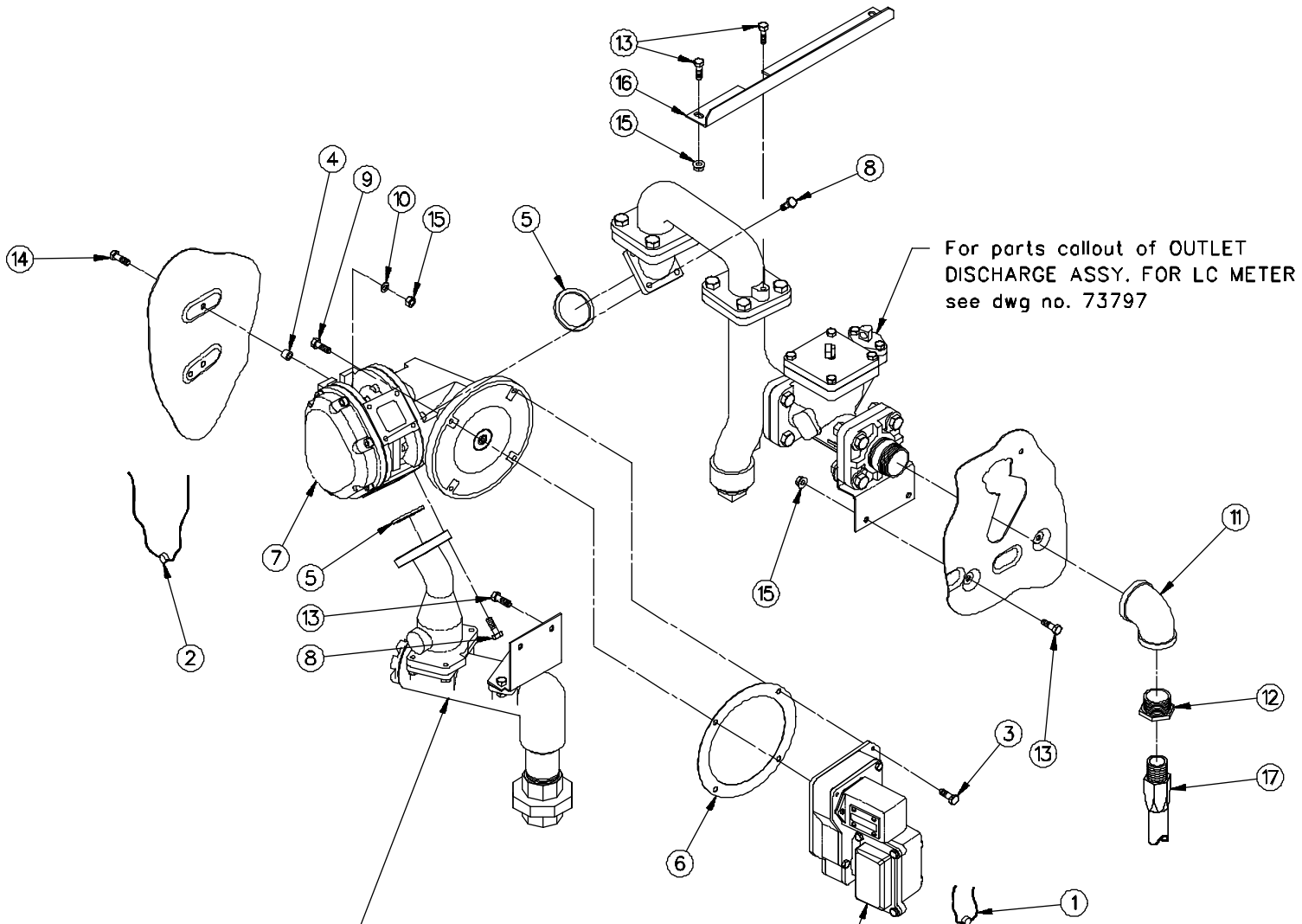
1 of 1

OUTLET DISCHARGE FOR 1450 METER

<u>Item</u>	<u>Part No.</u>	<u>Description</u>
1	2-221447	Companion Flange
2	7-313235	Gasket
3	1-316524	Valve Support
4	1-416884	Valve Inlet
5	1-416886	Meter Outlet
6	05-50301	1/2-13 Hex. Nut
7	127-50361	1/2-13 X 1" Long Hex. Head Cap Screw
8	128-50361	1/2-13 X 1-1/4 Long Hex. Head Cap Screw
9	131-50361	1/2-13 X 2" Long Hex. Head Cap Screw
10	129-50560	1-1/2 X 9" Long Pipe Nipple
11	119-50561	1-1/2" X 2-1/2" Long Pipe Nipple
12	06-50611	1/2 Plate Washer
13	17-50641	1/2 Lockwasher
14	27-51780	1-1/2 Union - Female

1-73799

LC METER ASSEMBLY WITH TOKHEIM 1550-15-SP-HV VALVE



For parts callout of INLET
SUPPLY ASSY. FOR LC METER
see dwg no. 73796

For parts callout of
PULSER ASSEMBLY
GEAR BOX ASSEMBLY
see dwg no. 73778
& 73894.

For parts callout of OUTLET
DISCHARGE ASSY. FOR LC METER
see dwg no. 73797

2-74 1458

LC METER ASSEMBLY WITH TOKHEIM 1550 VALVE

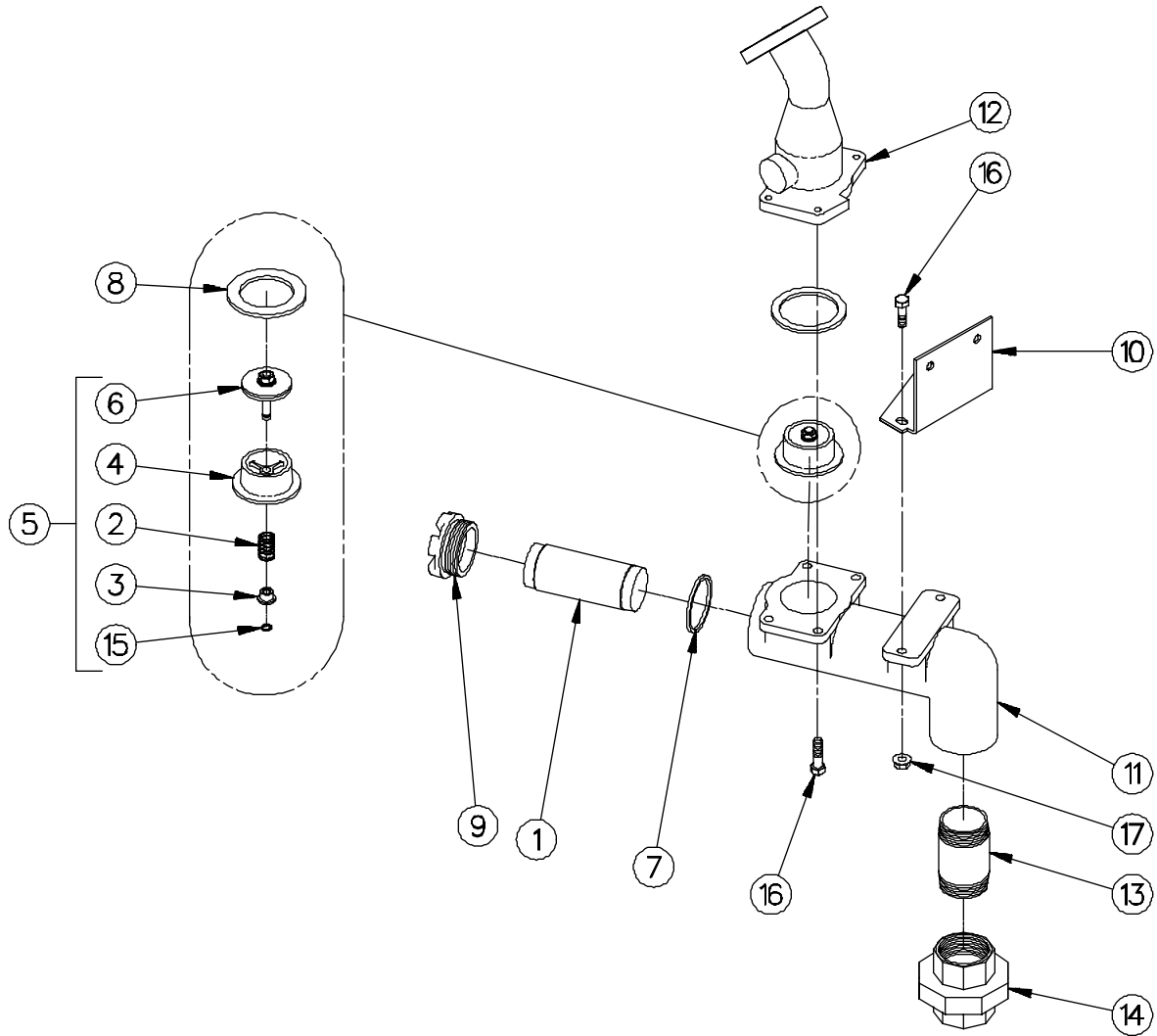
<u>Item</u>	<u>Part No.</u>	<u>Description</u>
1	1-120282	Seal Wire & Seal (16" Long)
2	1-127122	Seal Wire & Seal (24" Long)
3	1-129513	1/4-20 x 1" Long Hex Head Seal Screw
4	8-229606	Spacer (Universal)
5	7-313235	Gasket
6	1-318374	Meter Dust Shield
7	1-419902	LC Meter
8	04-50361	1/4-20 x 7/8" Long Hex Head Cap Screw
9	05-50361	1/4-20 x 1" Long Hex Head Cap Screw
10	03-50611	5/16" Plate Washer
11	15-51681	1-1/2" x 1-1/4" 90° Reducing Elbow
12	16-51851	1-1/4" x 1" Hex Bushing
13	35-54742	5/16-18 x 5/8" Long M-F Hex Head Whiz-Lock Screw
14	38-54742	5/16-18 x 1" Long M-F Hex Head Whiz-Lock Screw
15	02-54752	5/16-18 M-F Flange Whiz-Lock Nut
16	1-419855	Support Bracket
17	001-547812-00	1" x 12'-0" Long Hose

Reference:

420315 Final Assembly

420316 Chassis Assembly

INLET SUPPLY ASSEMBLY FOR LC METER



1-73796

1-73796

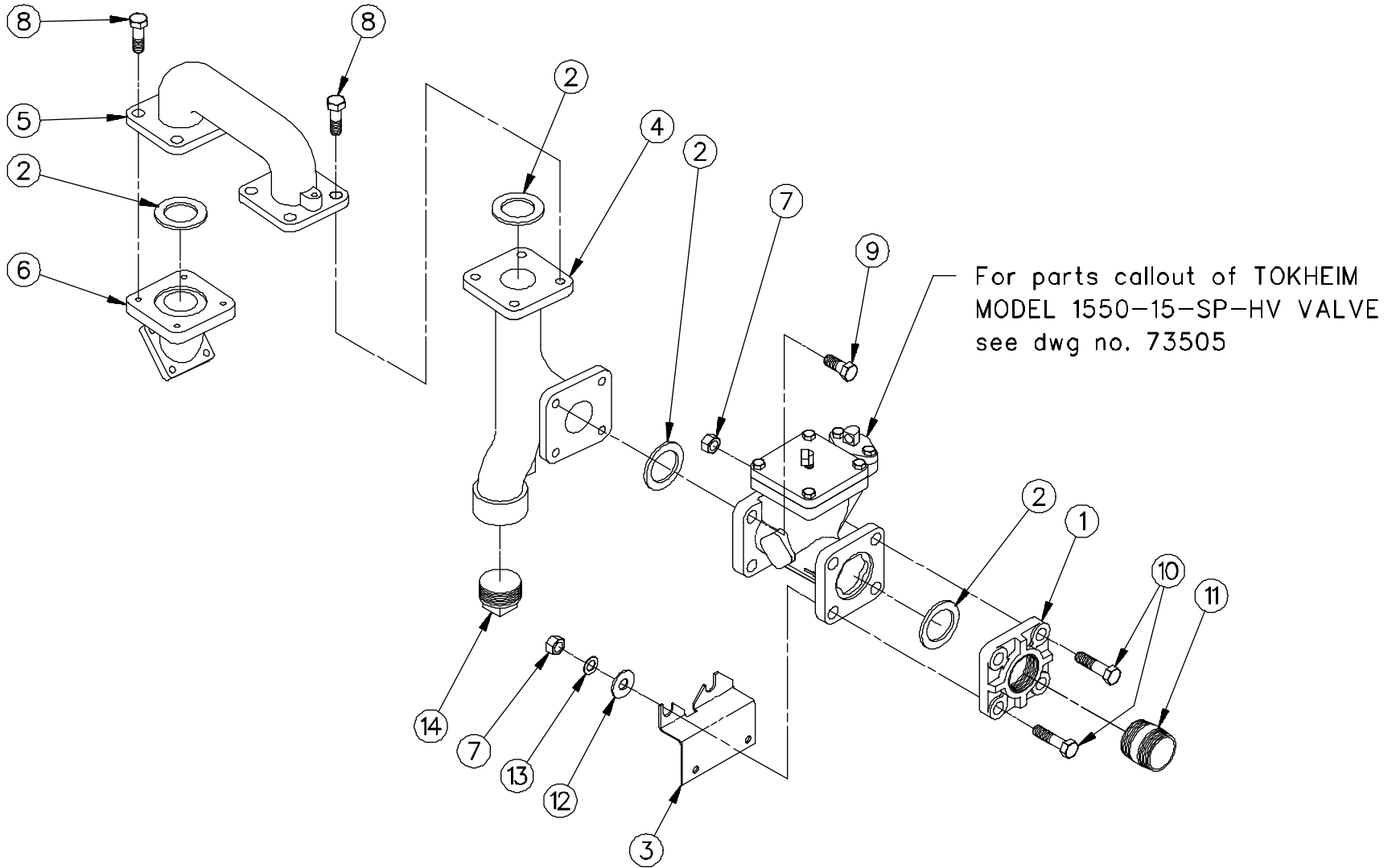
1 of 1

INLET SUPPLY ASSEMBLY FOR LC METER WITH 1550 VALVE

<u>Item</u>	<u>Part No.</u>	<u>Description</u>
1	2-115075	Suction Screen Complete (Diesel)
2	1-121564	Poppet Spring
3	1-130758	Poppet Spring Retainer
4	1-225980	Check Valve Seat
5	225981-1	Check Valve Assembly (Includes Items 1,2,4,6 & 15)
6	225981-2	Poppet Assembly
7	2-313235	Gasket
8	15-313235	Gasket
9	1-316957	Strainer Cap
10	1-318381	Strainer Support
11	1-415410	Strainer Body
12	1-419765	Meter Inlet
13	<u>Pipe Nipple 1½" x</u>	
	255-50510	3 ¼" Long (used with 07-51780)
	120-50561	3" Long (used with 27-51780)
14	<u>1½" Union Female</u>	
	07-51780	150#
	27-51780	250#
15	08-53270	Reliance Square Snap Ring (Closed)
16	38-54742	5/16-18 X 1" Long M-F Hex. Head Whiz-Lock Screw
17	02-54752	5/16-18 M-F Flange Whiz-Lock Nut

 1-73796

OUTLET DISCHARGE ASSEMBLY FOR LC METER



1-73797

1-73797

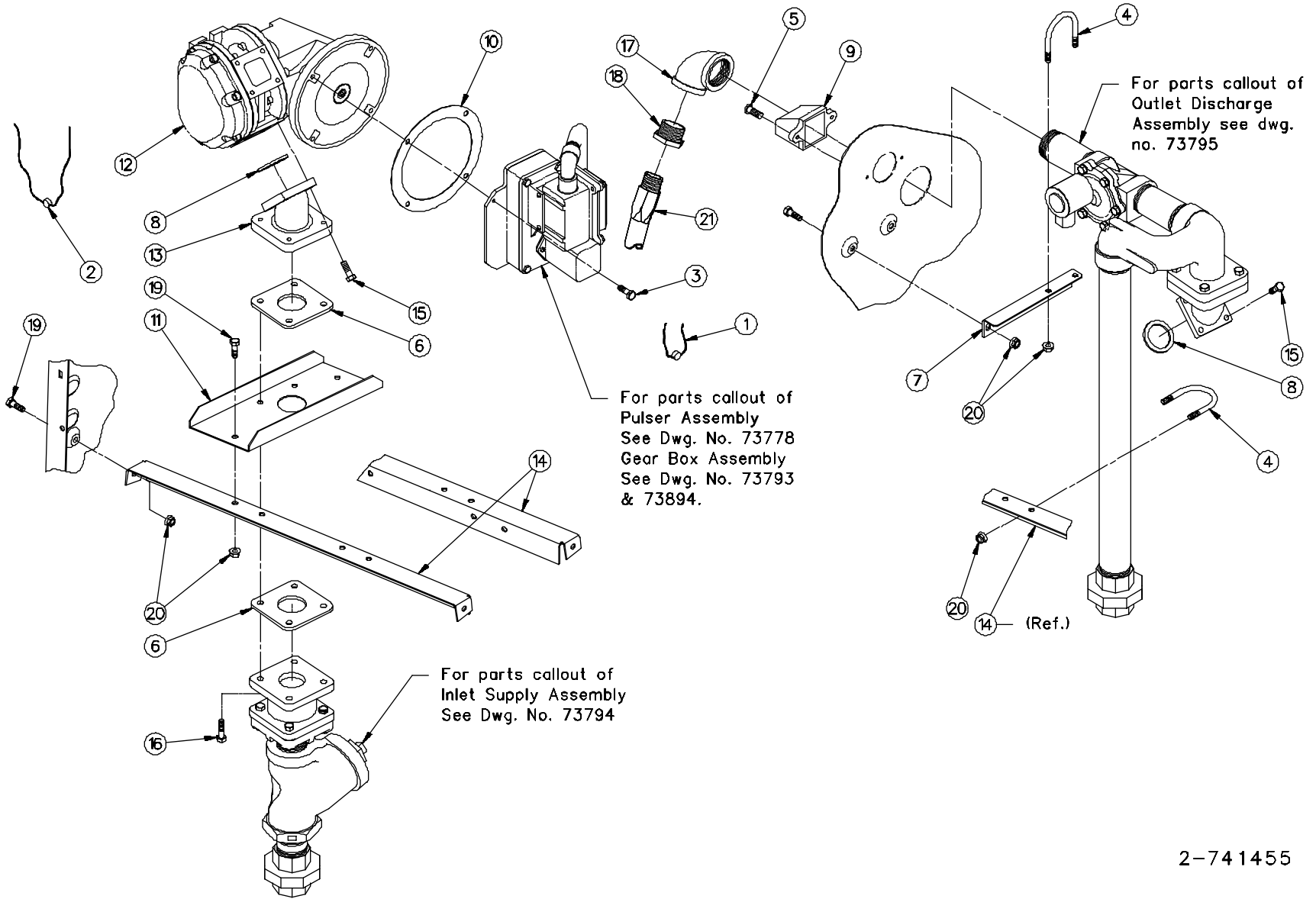
1 of 1

OUTLET DISCHARGE ASSEMBLY FOR LC METER WITH 1550 VALVE

<u>Item</u>	<u>Part No.</u>	<u>Description</u>
1	2-221447	Companion Flange
2	7-313235	Gasket
3	1-318380	Valve Support
4	1-416884	Valve Inlet
5	1-416886	Meter Outlet
6	1-420233	Meter Elbow
7	05-50301	1/2-13 Hex. Nut
8	127-50361	1/2-13 X 1" Long Hex. Head Cap Screw
9	128-50361	1/2-13 X 1-1/4 Long Hex. Head Cap Screw
10	131-50361	1/2-13 X 2" Long Hex. Head Cap Screw
11	269-50511	1-1/2" X 2-1/4" Long Pipe Nipple
12	06-50611	1/2 Plate Washer
13	17-50641	1/2 Lockwasher
14	08-51900	1-1/2 Pipe Plug

1-73797

LC METER ASSEMBLY WITH SKINNER VALVE



LC METER ASSEMBLY WITH SKINNER VALVE

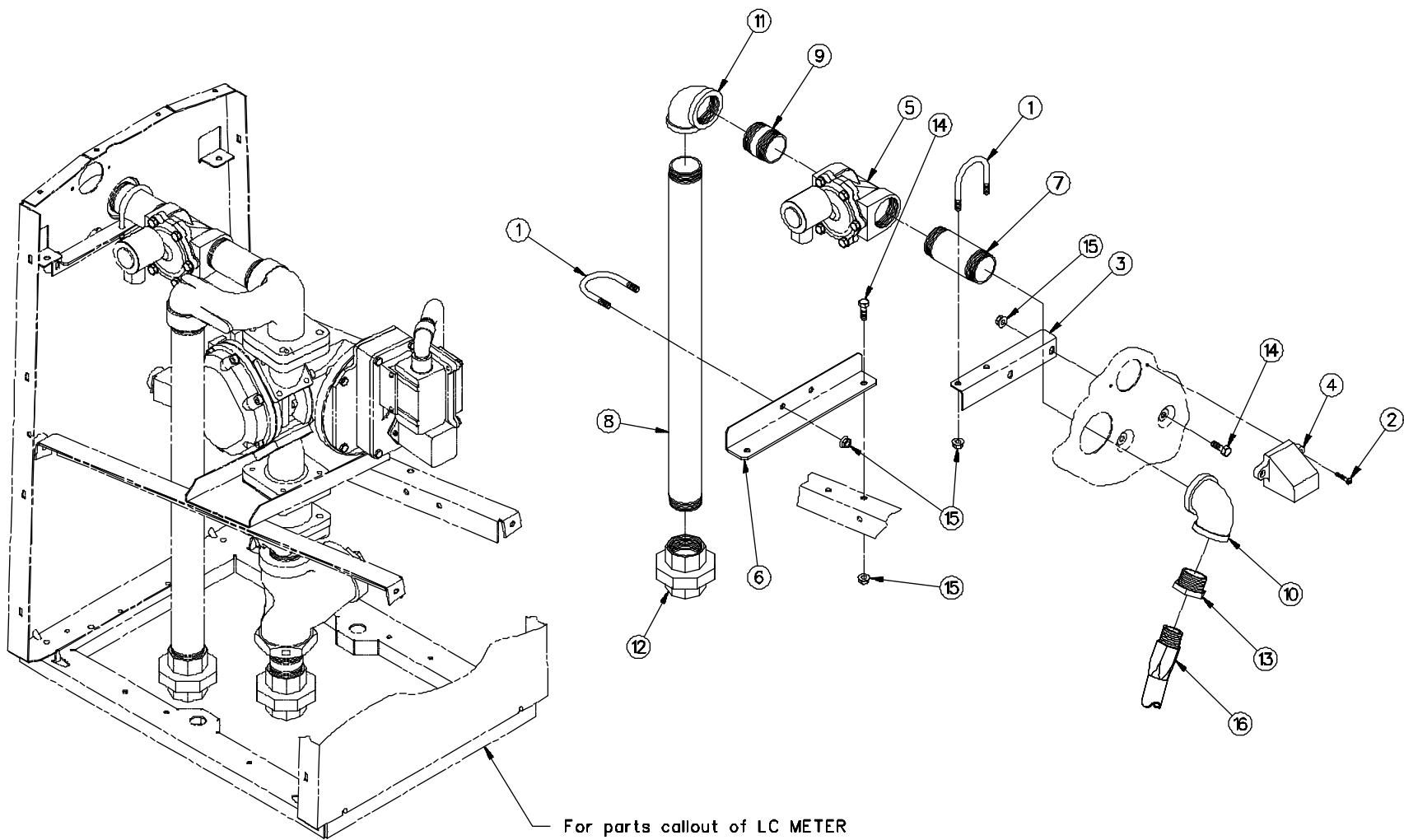
Item	Part No.	Description
1	1-120282	Seal Wire & Seal (16" Long)
2	1-127122	Seal Wire & Seal (24" Long)
3	1-129513	1/4-20 x 1" Long Hex Head Seal Screw
4	1-131336	U-Bolt
5	1-131560	#10-24 x 5/8" Long Pan Head Thread Cutting Screw
6	1-230877	Gasket
7	1-230878	Support Bracket
8	19-313235	Gasket
9	1-317400	Eyelet
10	1-318374	Meter Dust Shield
11	1-319006	Meter Support Plate
12	1-419902	LC Meter
13	3-420233	Meter Elbow
14	1-420514	Meter Support
15	05-50361	1/4-20 x 1" Long Hex Head Cap Screw
16	36-50361	5/16-18 x 1-1/4" Long Hex Head Cap Screw
17	15-51681	1-1/2" x 1-1/4" 90° Reducing Elbow
18	16-51851	1-1/4" x 1" Hex Bushing
19	35-54742	5/16-18 x 5/8" Long M-F Hex Head Whiz-Lock Screw
20	02-54752	5/16-18 M-F Flange Whiz-Lock Nut
21	001-547812-00	1" x 12'-0" Long Hose

Reference:

Chassis Assembly 420652

Final Assembly 420653

SATELLITE SYSTEM FOR LC METER WITH SKINNER VALVE



For parts callout of LC METER
ASSEMBLY WITH SKINNER VALVE
see dwg. no. 741455

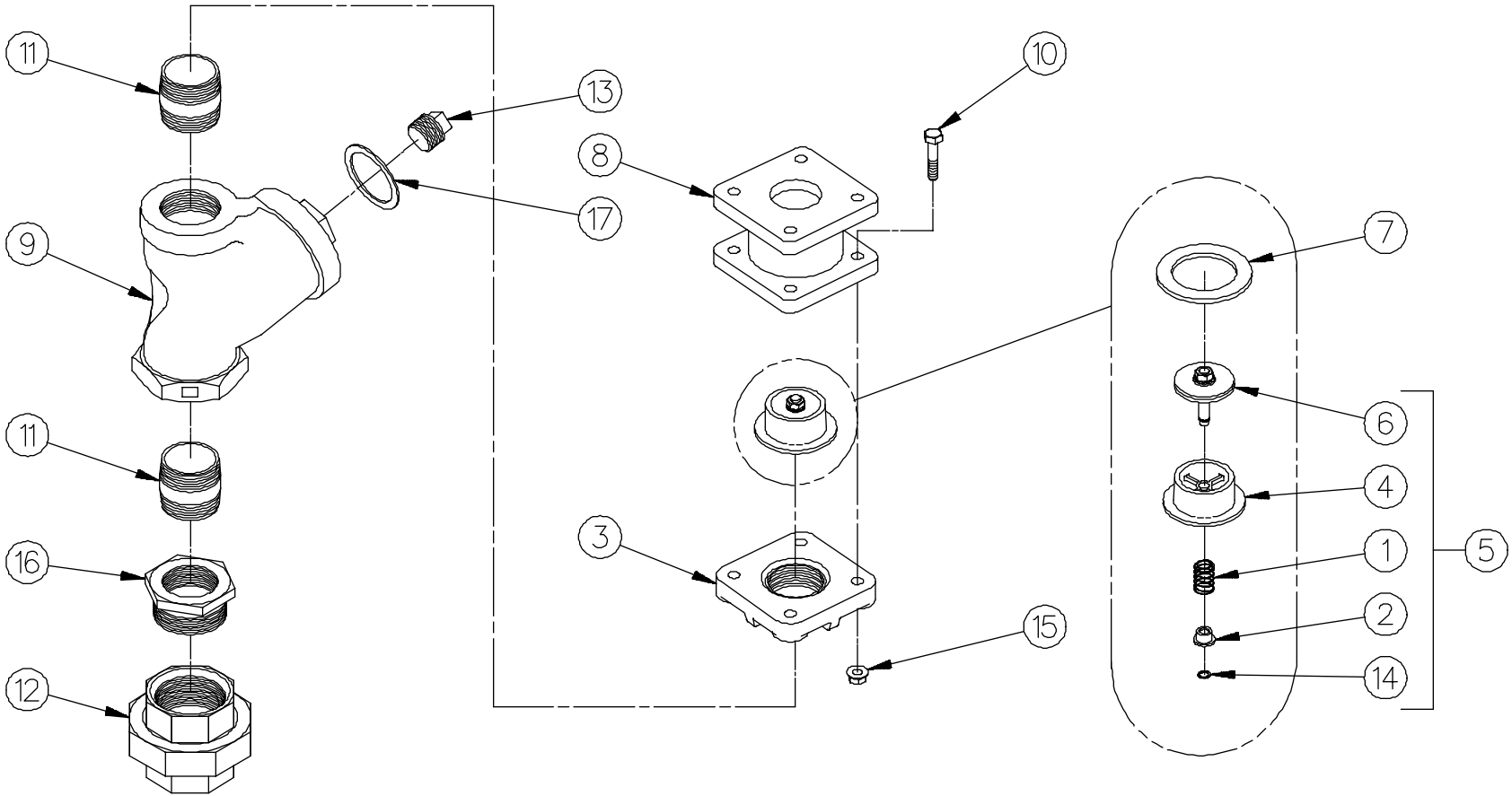
2-741457

SATELLITE SYSTEM FOR LC METER with SKINNER VALVE

<u>Item</u>	<u>Part No.</u>	<u>Description</u>
1	1-131336	U-Bolt
2	1-131560	#10-24 x 5/8" Long Pan Head Thread Cutting Screw
3	1-230878	Support Bracket
4	1-317400	Eyelet
5	<u>Control Valve</u>	
	1-319059	110 Volt
	2-319059	220 Volt
6	1-319087	Inlet Support Bracket
7	121-50560	1-1/2" x 3-1/2" Long Pipe
8	<u>Pipe 1-1/2" x</u>	
	306-50510	23-3/4" Long (Used with 27-51780)
	318-50510	23-3/8" Long (Used with 07-51780)
9	120-50561	1-1/2" x 3" Long Pipe Nipple
10	15-51681	1-1/2" x 1-1/4" 90° Reducing Elbow
11	08-51700	1-1/2" 90° Elbow - Banded
12	<u>1-1/2" Union Female</u>	
	07-51780	150#
	27-51780	250#
13	16-51851	1-1/4" x 1" Hex Bushing
14	35-54742	5/16-18 x 5/8" Long M-F Hex Head Whiz-Lock Screw
15	02-54752	5/16-18 M-F Flange Whiz-Lock Nut
16	001-547812-00	1" x 12'-0" Long Hose

Reference: Chassis Assembly 420652

INLET SUPPLY ASSEMBLY FOR LC METER



2-73794

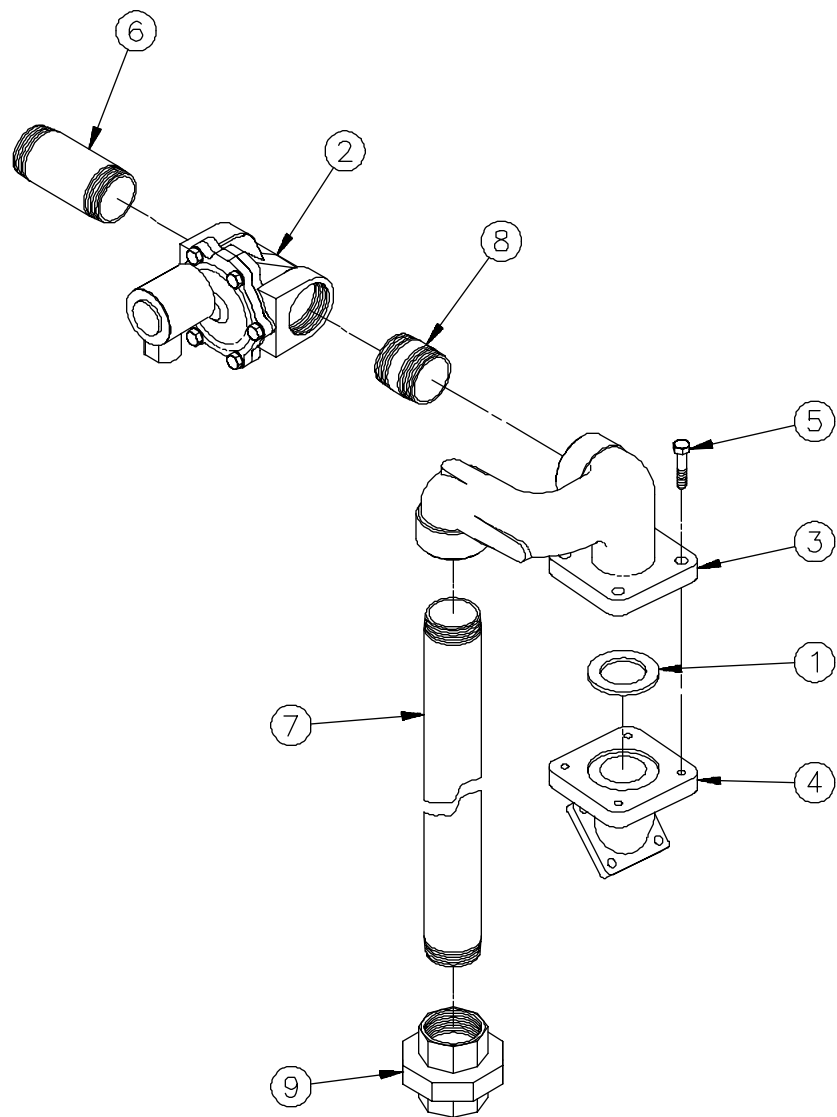
1 of 1

INLET SUPPLY ASSEMBLY FOR LC METER

<u>Item</u>	<u>Part No.</u>	<u>Description</u>
1	1-121564	Poppet Spring
2	1-130758	Poppet Spring Retainer
3	5-221447	Companion Flange
4	1-225980	Check Valve Seat
5	225981-1	Check Valve Assembly (Includes Items 1,2,4,6 & 14)
6	225981-2	Poppet Assembly
7	15-313235	Gasket
8	1-319057	Check Valve Housing
9	1-420697	"Y" Strainer
10	37-50361	5/16-18 x 1-1/2" Long Hex Head Cap Screw
11	<u>Pipe Nipple 1-1/2" x</u>	
	117-50560	1-3/4" Long (Used with 27-51780)
	118-50560	2" Long (Used with 08-51780)
12	<u>Union Female</u>	
	27-51780	1-1/2"
	08-51780	2"
13	05-51901	3/4" Pipe Plug
14	08-53270	Reliance Square Snap Ring (Closed)
15	02-54752	5/16-18 M-F Flange Whiz-Lock Nut
16	27-51850	1-1/2" x 2" Bushing Hexagon (Used with 08-51780)
17	1-132471	Gasket (Used with 08-51780)

Reference: Chassis Assembly 420652**2-73794**

OUTLET DISCHARGE ASSEMBLY FOR LC METER



1-73795

1-73795

1 of 1

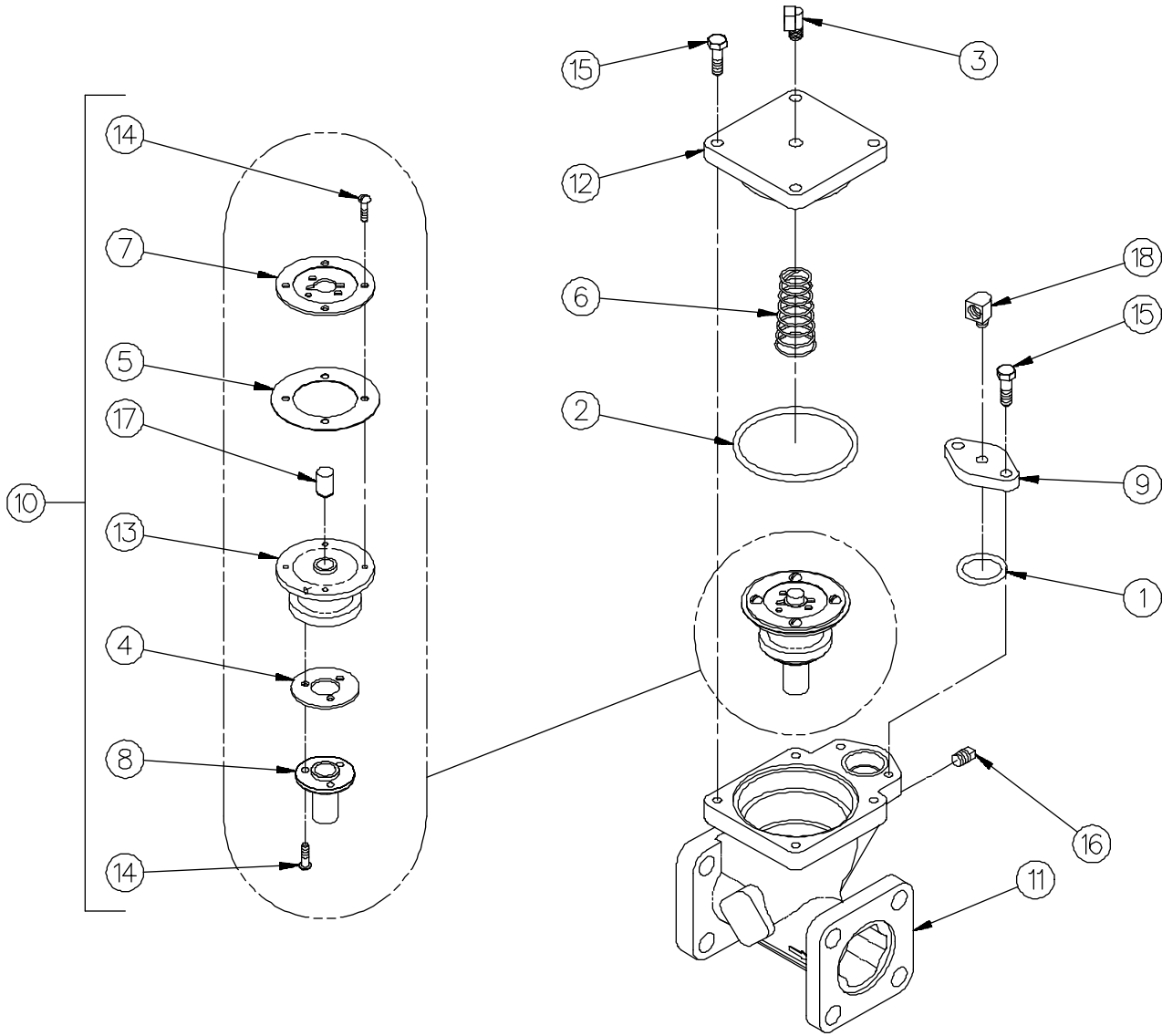
OUTLET DISCHARGE ASSEMBLY FOR LC METER

<u>Item</u>	<u>Part No.</u>	<u>Description</u>
1	18-313235	Gasket
2	<u>Control Valve</u>	
	1-319059	110 Volt
	2-319059	220 Volt
3	1-420665	Meter Discharge Manifold
4	2-420233	Meter Elbow
5	36-50361	5/16-18 x 1-1/4" Long Hex Head Cap Screw
6	120-50561	1-1/2" x 3" Long Pipe
7	<u>Pipe 1-1/2" x</u>	
	306-50510	23-3/4" Long (Used with 27-51780)
	318-50510	23-3/8" Long (Used with 07-51780)
8	1-1/2" x 3-1/2" Long Pipe Nipple	
9	<u>1-1/2" Union Female</u>	
	07-51780	150#
	27-51780	250#

Reference: Chassis Assembly 420652

1-73795

1550-15-SP-HV VALVE ASSEMBLY



2-73505

HIGH VOLUME (1550-15-SP-HV) VALVE ASSEMBLY

<u>Item</u>	<u>Part No.</u>	<u>Description</u>
1	16-318940	"O" Ring
2	23-318940	"O" Ring
3	1-125636	Male Connector (785)
	1-125637	Male Elbow (162, 262 & 262A)
4	1-128278	Valve Disc
5	1-128612	Plunger Cup
6	1-130936	Valve Spring
7	1-222357	Plunger Cup Support
8	2-224214	Poppet Guide
9	1-227097	Cover
10	228000-1	Poppet Assembly (Includes Items 4,5,7,8,13,14 & 17)
11	228001-1	Valve Body Assembly
12	1-316166	Valve Cover
13	1-316167	Plunger
14	252-50100	#10-24 X 1/2" Long Round Head Machine Screw
15	35-50361	5/16-18 X 1" Long Hex. Head Cap Screw
16	01-51911	1/8 Square Head Pipe Plug (785)
	1-125637	Male Elbow (162, 262 & 262A)
17	1-131608	Dowel Pin
18	1-125636	Male Connector (785-HV-RC)
	1-125637	Male Elbow (785M-HVR-LC-RC)
	1-128433	Male Elbow (162, 262 & 262A)

For complete 1550-15-SP-HV Valve Assembly order:

416193-1	785-HV-RC
416193-2	162, 262 & 262A
416193-3	785M-HVR-LC-RC