

# Section

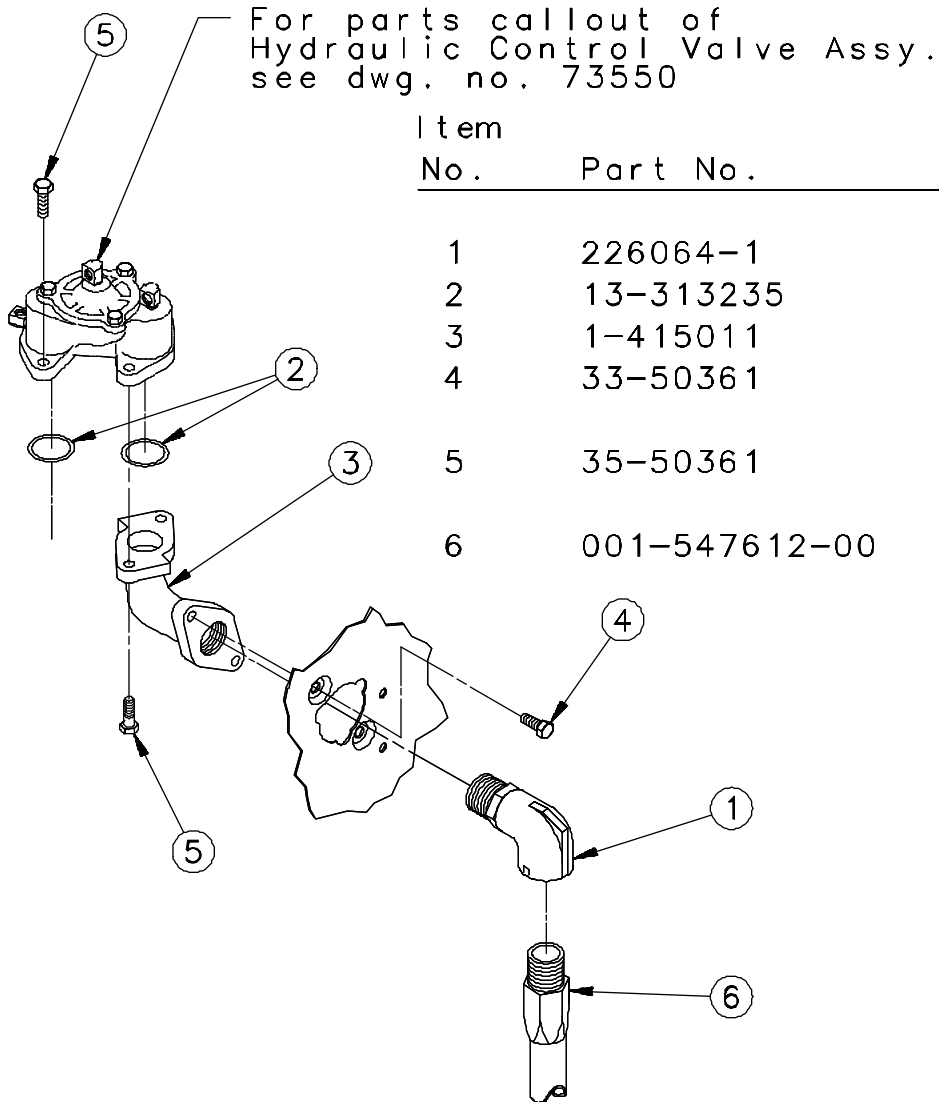
# Five

## Discharge and Solenoid Assemblies

	Page Number	
<b><i>Hydraulic Discharge Assemblies</i></b>		<b>2</b>
262A (FL), 262A (FL)-1-TW, 262A (FL)-RC,		<b>6</b>
262A (FL)-1 & -2RC-TW .....	5-2	<b>2</b>
262A (FL) -2-TW .....	5-3	<b>2</b>
262A-HS .....	5-4	<b>A</b>
FOR YOUR NOTES .....	5-5	
262A-FL-S-RC, 262A-FL-M-RC, 262A-FL-MS-RC,		
262A-FL-M-1 & -2-RC-TW, and 262A-FL-S-1-RC-TW .....	5-6, 5-7	
 <b><i>Vapor Recovery Discharge Assemblies</i></b>		<b>D</b>
262A .....	5-8, 5-9	<b>I</b>
262A Vapor Recovery with Blackmer Pump (Amoco) .....	5-10, 5-11	<b>S</b>
 <b><i>Outlet &amp; Pilot Valve Assemblies</i></b>		<b>P</b>
262A-AFL, 262A-AFL-RC, 262A-AFL-1-TW,		<b>E</b>
262A-AFL-1 & 2-RC-TW .....	5-12, 5-13	<b>N</b>
262AFL-M & MS-RC, 262A-M-1-RC-TW,		<b>S</b>
262AFL-MS & S-RC, 262A/AFL-M-HV-LC-RC .....	5-14, 5-15	<b>E</b>
 <b><i>262A Solenoid Assemblies</i></b> .....	5-16, 5-17	<b>R</b>
 <b><i>Hydraulic Control Valve</i></b> .....	5-18, 5-19	
 <b><i>262A Sight Glass</i></b> .....	5-20, 5-21	
 <b><i>262A-R Fuel Containment Pan Assembly</i></b> .....	5-22, 5-23	

## HYDRAULIC DISCHARGE ASSEMBLY

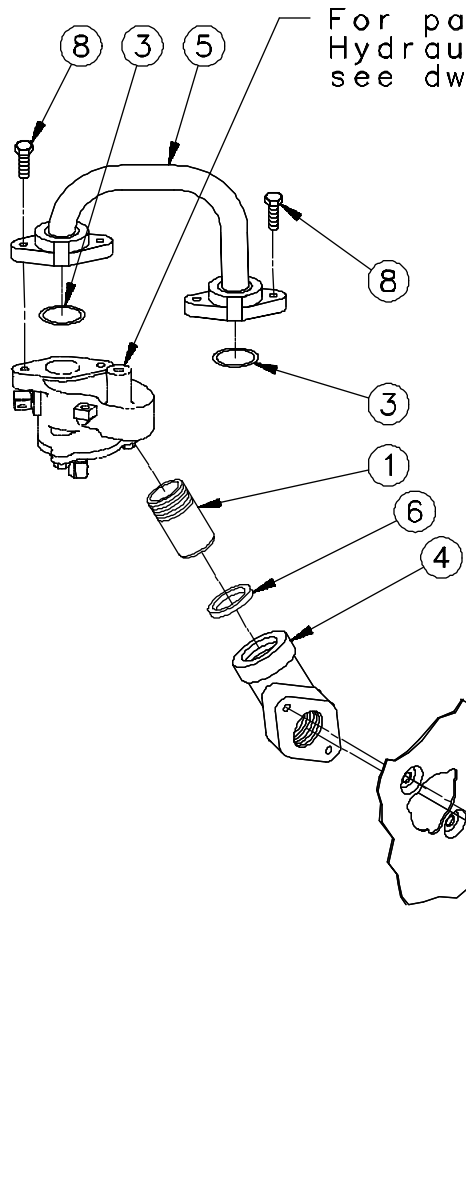
262A/FL, 262A/FL-1-TW, 262A/FL-RC, 262A/FL-1 & 2-RC-TW



Item No.	Part No.	Name Of Part
1	226064-1	Hose Swivel Assembly
2	13-313235	Gasket
3	1-415011	Discharge Connector
4	33-50361	5/16-18 X 3/4 Lg. Hex. Hd. Cap Screw
5	35-50361	5/16-18 X 1" Lg. Hex. Hd. Cap Screw
6	001-547612-00	Hose 5/8 X 12'-0 Lg.

# HYDRAULIC DISCHARGE ASSEMBLY

262A/FL-2-TW



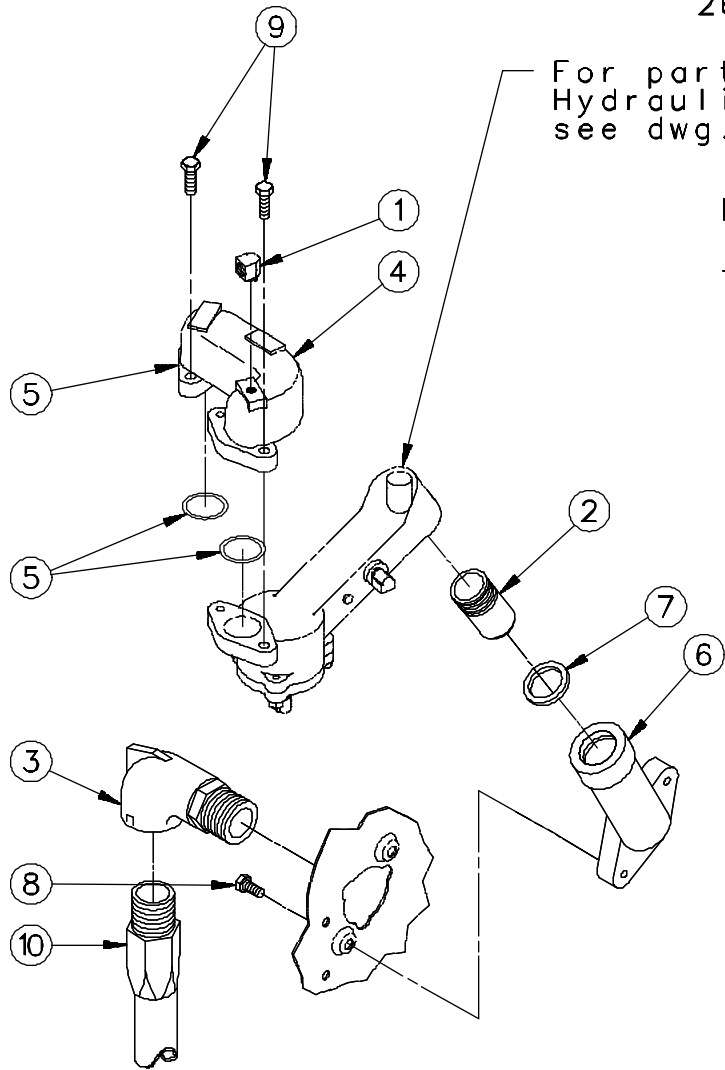
For parts callout of  
 Hydraulic Control Valve Assy.  
 see dwg. no. 73550

Item No.	Part No.	Name Of Part
1	5-220383	Coupling Nipple
2	226064-1	Hose Swivel Assembly
3	13-313235	Gasket
4	1-313721	Swivel Connector
5	314601-1	Discharge Tube Assembly
6	19-318940	"O" Ring
7	33-50361	5/16-18 X 3/4 Lg. Hex. Hd. Cap Screw
8	35-50361	5/16-18 X 1" Lg. Hex. Hd. Cap Screw
9	001-547612-00	Hose 5/8 X 12'-0 Lg.

1-73813

# HYDRAULIC DISCHARGE ASSEMBLY

262A-HS



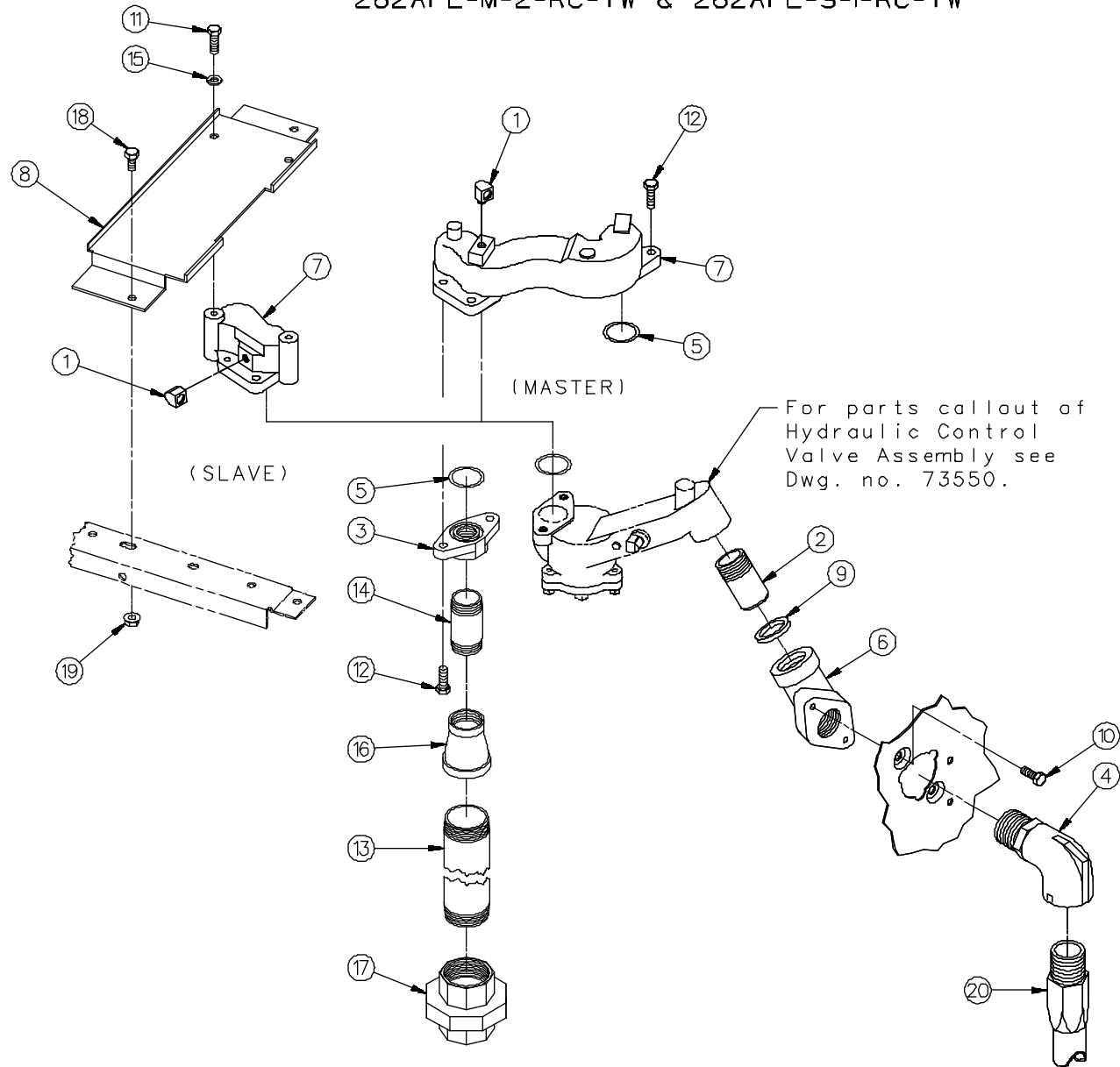
For parts callout of  
Hydraulic Control Valve Assy.  
see dwg. no. 73550

Item No.	Part No.	Name Of Part
1	1-125637	Male Elbow (1/4 Tube)
2	5-220383	Coupling Nipple
3	226064-2	Hose Swivel Assembly
4	2-312006	Meter Discharge Connector
5	13-313235	Gasket
6	1-313721	Swivel Connector
7	19-318940	"O" Ring
8	33-50361	5/16-18 X 3/4 Lg. Hex Hd. Cap Screw
9	35-50361	5/16-18 X 1" Lg. Hex. Hd. Cap Screw
10	001-547615-00	Hose 1" X 15'-0 Lg.

# N O T E S

# HYDRAULIC DISCHARGE ASSEMBLY

262AFL-S-RC, 262AFL-M-RC, 262AFL-MS-RC ,262AFL-M-I-RC-TW  
262AFL-M-2-RC-TW & 262AFL-S-I-RC-TW



2-741463

2-741463

1 of 1

## HYDRAULIC DISCHARGE ASSEMBLY

Model 262A-FL-S-RC, FL-S-1-RC-TW, FL-M-RC, FL-MS-RC &amp; FL-M-1&amp;2-RC-TW

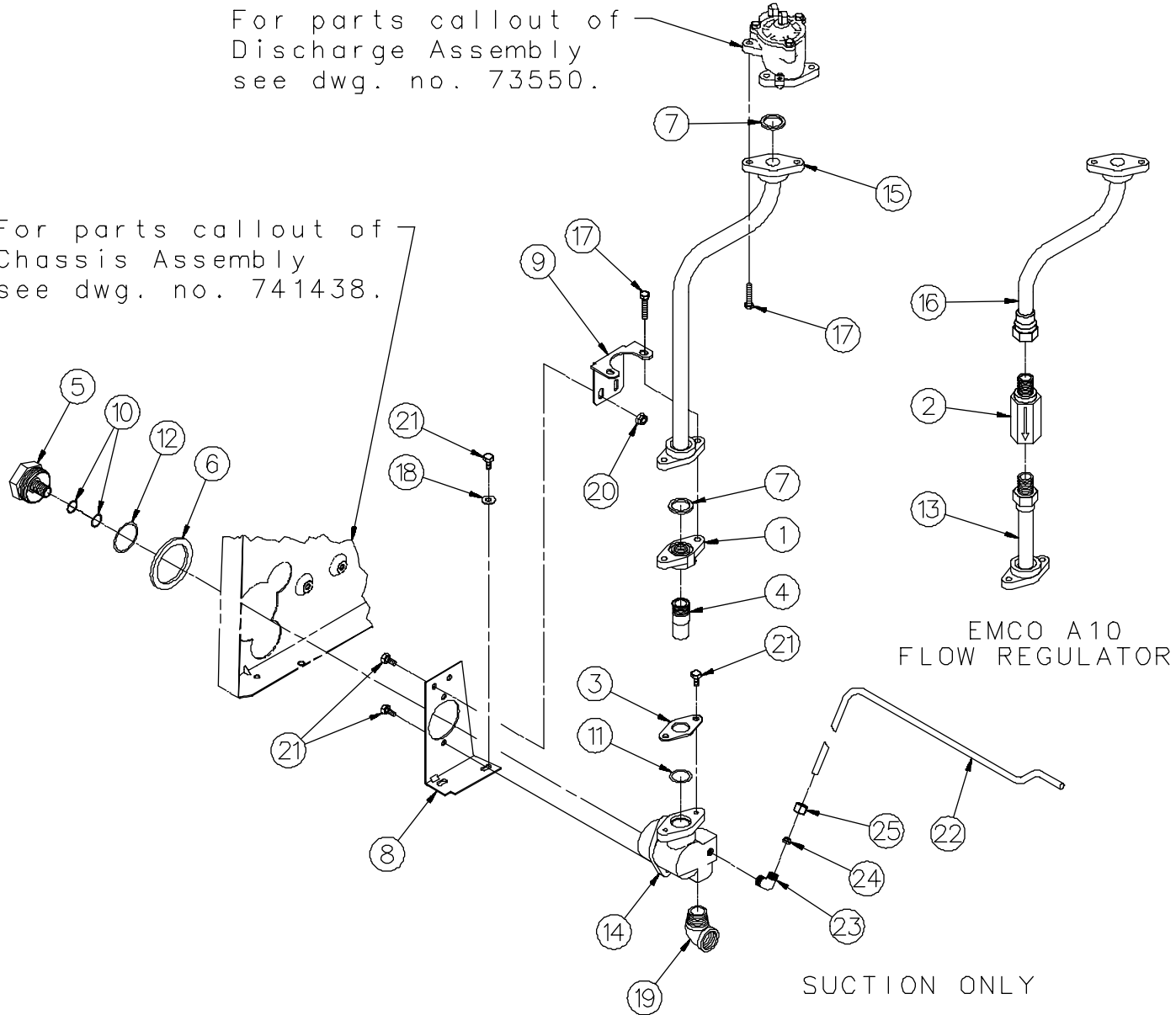
<u>Item</u>	<u>Part No.</u>	<u>Description</u>	<u>Item</u>	<u>Part No.</u>	<u>Description</u>
1	1-125637	1/4" Male Elbow	14	87-50560	1" x 2-1/2" Long Pipe Nipple
2	5-220383	Conduit Nipple	15	14-50641	5/16" Lockwasher
3	1-220923	Meter Flange	16	18-51750	1-1/2" x 1" Reducing Coupling
4	226064-2	1" Hose Swivel Assembly	17	<u>1-1/2" Union - Female</u>	
5	13-313235	Gasket		07-51780	150#
6	1-313721	1" Swivel Connector		27-51780	250#
7	<u>Discharge Connector</u>		18	35-54742	5/16-18 x 5/8" Long M-F Hex Head Whiz-Lock Screw
	2-313734	Slave Discharge Connector	19	02-54752	5/16-18 M-F Flange Whiz- Lock Nut
	2-313736	Master Discharge Connector	20	001-547812-00	1" x 12'-0" Long Hose
8	1-316027	Slave Connector Support			<b>Reference:</b>
9	19-318940	"O" Ring			420363 Chassis Assembly
10	32-50361	5/16-18 x 5/8" Long Hex Head Cap Screw			311932 Hydraulic Valve Assembly
11	33-50361	5/16-18 x 3/4" Long Hex Head Cap Screw			
12	35-50361	5/16-18 x 1" Long Hex Head Cap Screw			
13	<u>Pipe 1-1/2" x</u>				
	259-50510	13-1/2" Long (Master) (Used With 27-51780)			
	268-50510	16-1/2" Long (Slave) (Used With 27-51780)			
	315-50510	13-3/4" Long (Master) (Used With 07-51780)			
	319-50510	16-3/4" Long (Slave) (Used With 07-51780)			

2-741463

# 262A VAPOR RECOVERY DISCHARGE SYSTEM

For parts callout of Discharge Assembly see dwg. no. 73550.

For parts callout of Chassis Assembly see dwg. no. 741438.



EMCO A10  
FLOW REGULATOR

SUCTION ONLY

2-73806

2-73806

1 of 1

## 262A VAPOR RECOVERY DISCHARGE SYSTEM

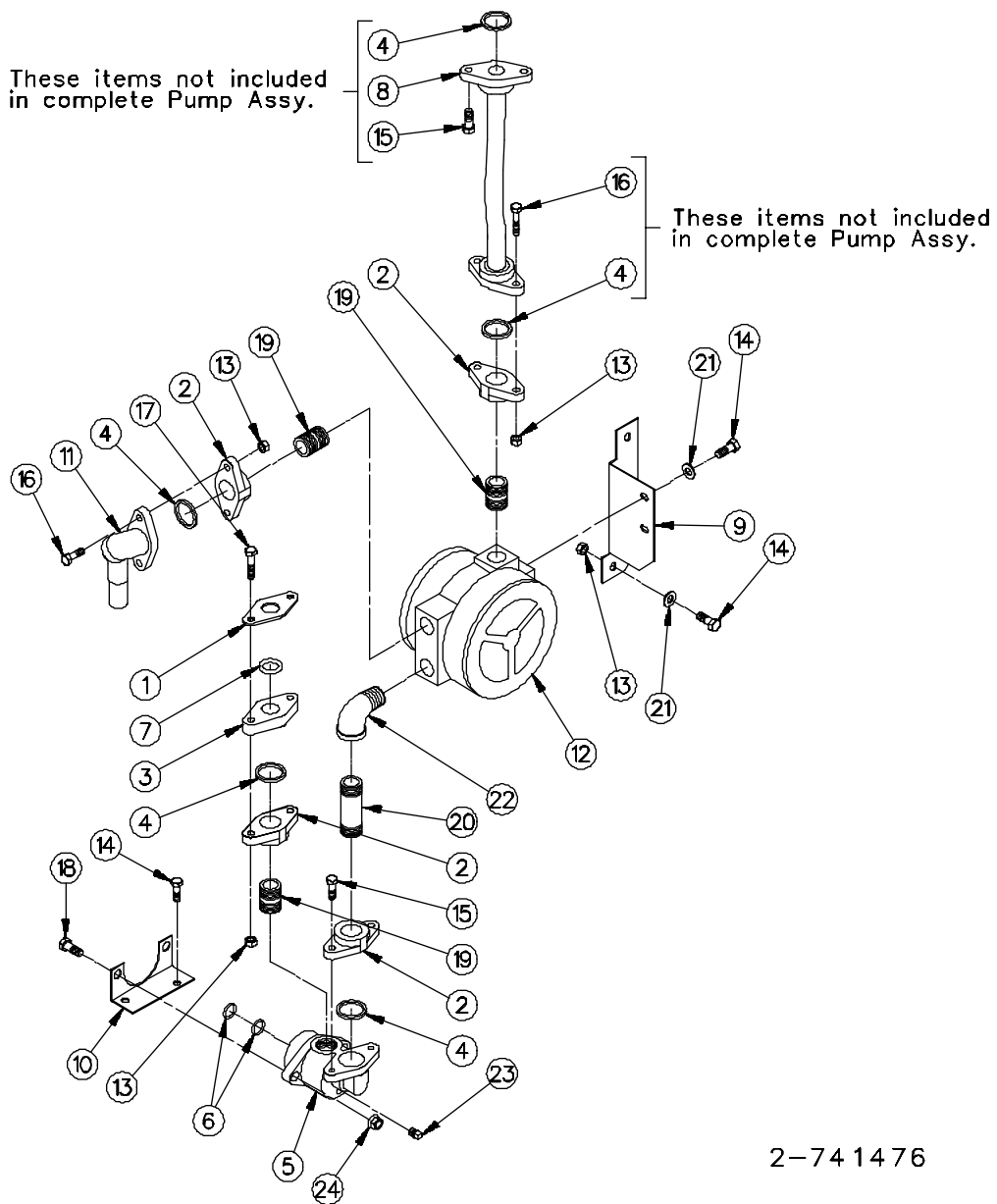
Item	Part No.	Description	Item	Part No.	Description
1	3-220923	Meter Flange	17	35-50361	5/16-18 x 1" Long Hex Head Cap Screw
2	1-227432	Flow Regulator	18	08-50621	5/16" Plainwasher
3	1-227586	Retaining Cap	19	05-51710	3/4" x 90° Street Elbow
4	1-227588	Slip Joint	20	02-54752	5/16-18 Hex Head Whiz- Lock Nut
5	1-227838	Non-Swivel Adapter (Interim Vapor Recovery)	21	35-54742	5/16-18 x 5/8" Long M-F Hex Head Whiz-Lock Screw
6	1-227978	Hose Grommet	22	<u>Vent Tube</u>	
7	13-313235	Gasket		1-319302	262A-VC-2-TW
8	1-318912	Bracket		1-420876	262A-VC, 262A-VC-1-TW, 262A-VC-HD
9	1-318914	Outlet Tube Bracket	23	05-52020	Compression Elbow
10	11-318940	"O" Ring	24	05-52040	Compression Sleeve
11	14-318940	"O" Ring	25	14-52040	Compression Nut
12	27-318940	"O" Ring (Interim Vapor Recovery)			
13	319096-1	Discharge Tube Weld Assembly (Lower)			
14	<u>Outlet Adapter</u>				
	3-418059	All Models Except Listed Below			
	4-418059	262A-VC/IVC, 262A-VC/IVC-1- TW, 262A-VC/IVC-HD			
	2-420716	262A-VC/IVC-2-TW			
15	<u>Discharge Tube Assembly</u>				
	420348-1	All Models Except Listed Below			
	420878-1	262A-VC/IVC-2-TW			
16	420636-1	Discharge Tube Weld Assembly (Upper)			

**Reference:**

Final Assembly 420815

2-73806

# VAPOR RECOVERY SYSTEM WITH BLACKMER PUMP (262A AMOCO V1)



2-741476

## VAPOR RECOVERY SYSTEM WITH BLACKMER PUMP (262A AMOCO V1)

Item	Part No.	Description	Item	Part No.	Description
1	1-131551	Spacer	20	72-50560	3/4-14 x 3" Long Pipe Nipple
2	2-220923	Meter Flange	21	03-50621	5/16" Plate Washer
3	1-227299	Flange	22	05-51710	3/4" NPT Street Elbow
4	13-313235	Gasket	23	01-51911	1/8" NPT Pipe Plug
5	3-318229	Vapor Outlet Adapter	24	04-54752	3/8-16 Whiz Lock Nut
6	11-318940	"O" Ring	25	1-132476	Warning Label (Located On Door Not Shown)
7	26-318940	"O" Ring			
8	319086-1	Meter Discharge Tube Weld Assembly			
9	1-319112	Pump Support Bracket			
10	1-319113	Outlet Support Bracket			
11	319121-1	Vapor Discharge Tube Assembly			
12	1-319168	Blackmer Pump			
13	02-50301	5/16-18 Hex. Nut			
14	31-50361	5/16-18 x 1/2" Long Hex Head Cap Screw			
15	35-50361	5/16-18 x 1" Long Hex Head Cap Screw			
16	36-50361	5/16-18 x 1-1/4" Long Hex Head Cap Screw			
17	37-50361	5/16-18 x 1-1/2" Long Hex Head Cap Screw			
18	65-50361	3/8-16 x 1" Long Hex Head Cap Screw			
19	69-50560	3/4-14 x 1-3/8" Long Pipe Nipple			

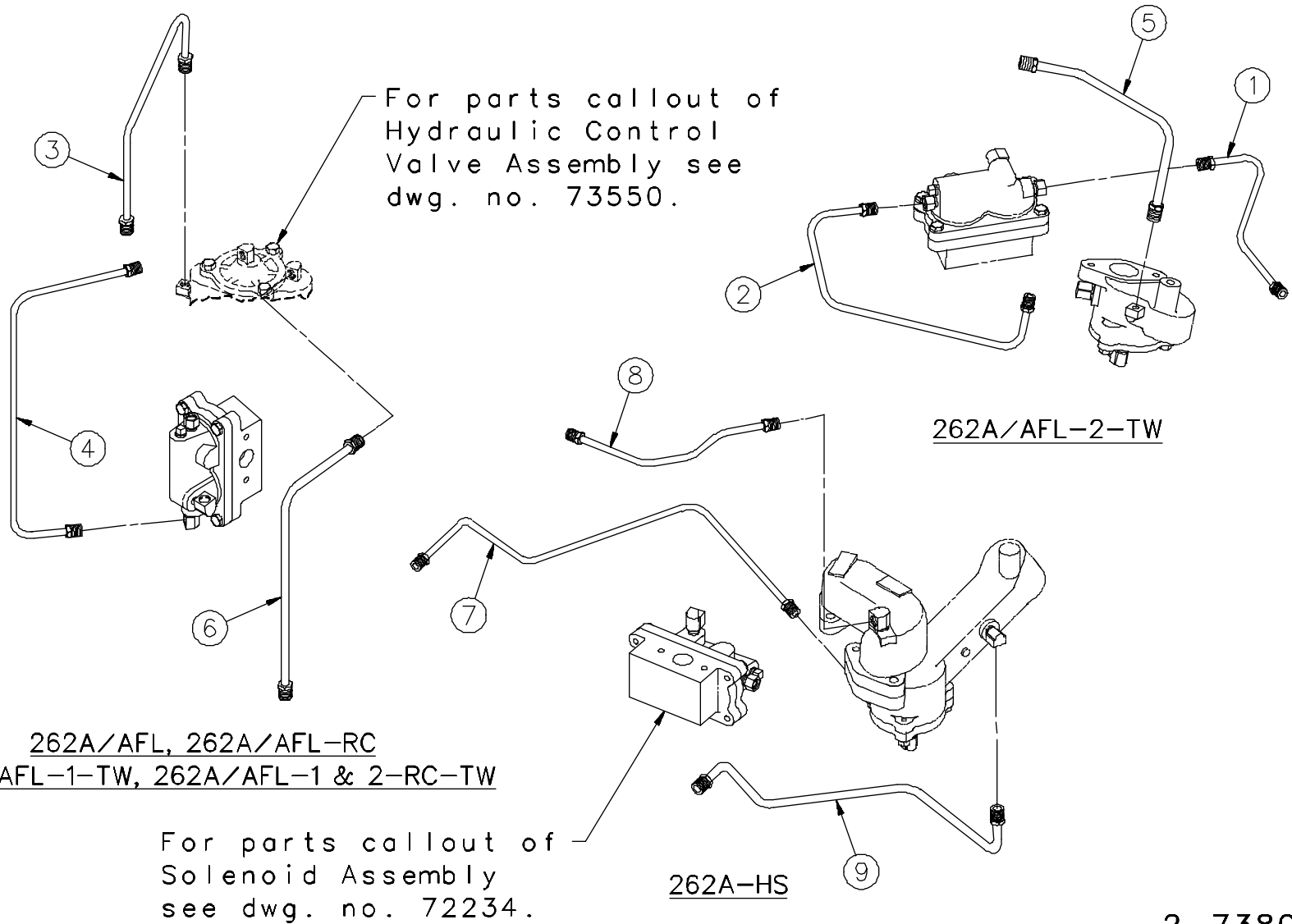
**For complete Pump Assembly order:**  
319272-1

**Reference:**  
420804 Final Assembly

---

**2-741476**

# 262A OUTLET & PILOT VALVE TUBE ASSEMBLY



2-73801

2-73801

1 of 1

## 262A OUTLET & PILOT VALVE TUBE ASSEMBLY

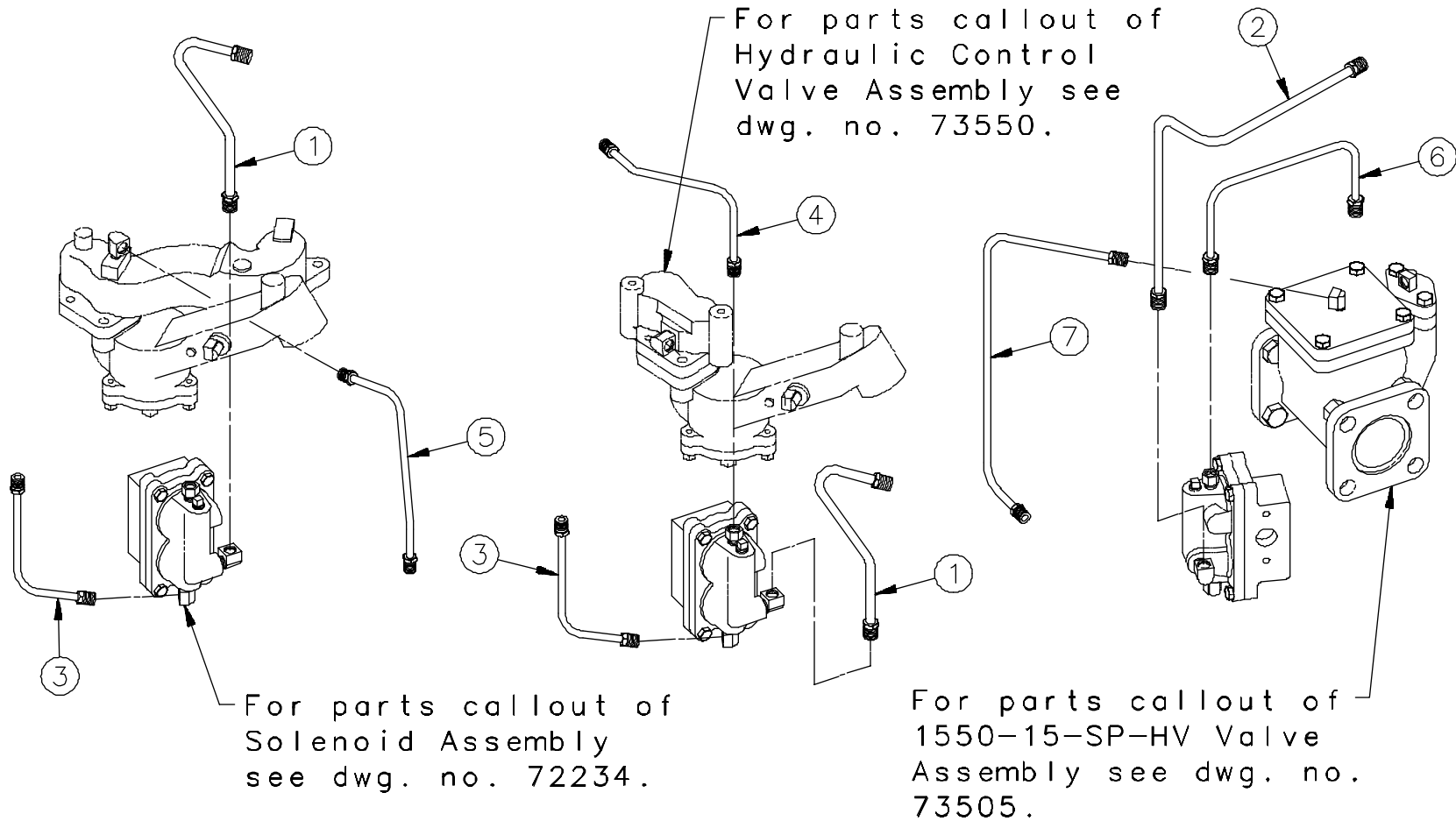
<u>Item</u>	<u>Part No.</u>	<u>Description</u>
1	312049-90	Pilot Valve Tube Assembly
2	312049-91	Pilot Valve Tube Assembly
3	312049-94	Pilot Valve Tube Assembly
4	312049-95	Pilot Valve Tube Assembly
5	313354-8	Outlet Tube Assembly
6	313354-20	Outlet Tube Assembly
7	319123-1	Pilot Valve Tube Assembly
8	319123-2	Pilot Valve Tube Assembly
9	319124-1	Outlet Tube Assembly

---

---

2-73801

# 262A OUTLET & PILOT VALVE TUBE ASSEMBLY



262AFL-M & MS-RC  
262AFL-M-1-RC-TW  
 (MASTER SIDE)

262AFL-MS & S-RC  
 (SATELLITE SIDE)

262A/AFL-M-HV-LC-RC

2-73802

2-73802

1 of 1

## 262A OUTLET & PILOT VALVE TUBE ASSEMBLY

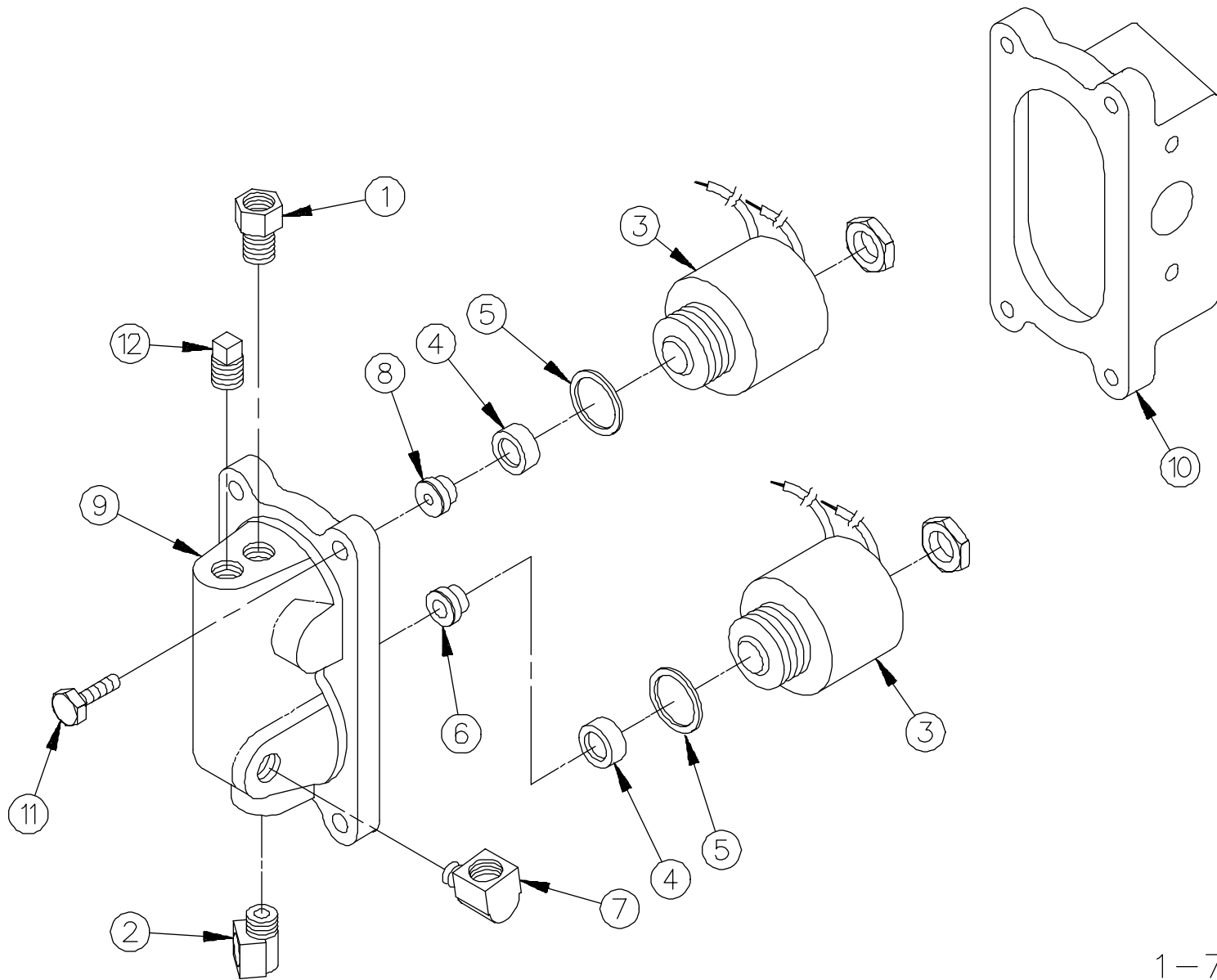
<u>Item</u>	<u>Part No.</u>	<u>Description</u>
1	313354-14	Outlet Tube Assembly
2	313354-18	Outlet Tube Assembly
3	316215-4	Pilot Valve Tube Assembly
4	316215-5	Pilot Valve Tube Assembly
5	316215-6	Pilot Valve Tube Assembly
6	316215-16	Pilot Valve Tube Assembly
7	316215-17	Pilot Valve Tube Assembly

---

---

2-73802

# 262A SOLENOID ASSEMBLY



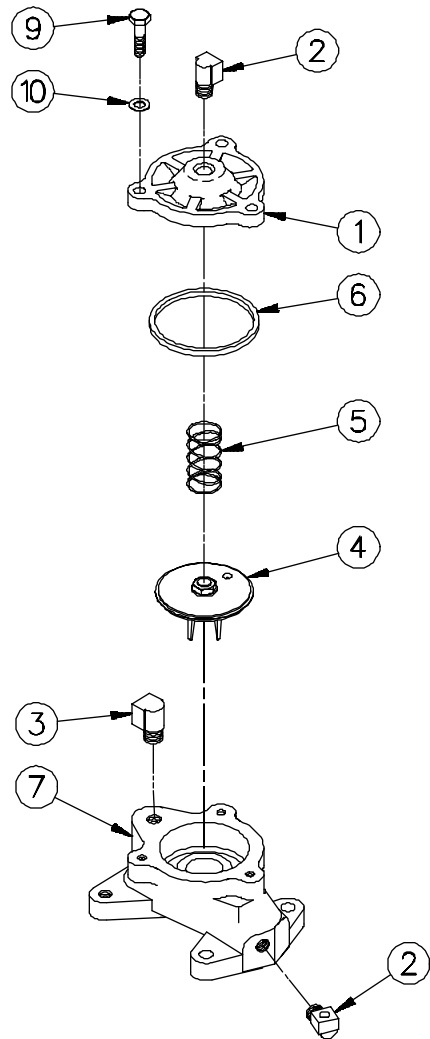
1-72234

1 of 1

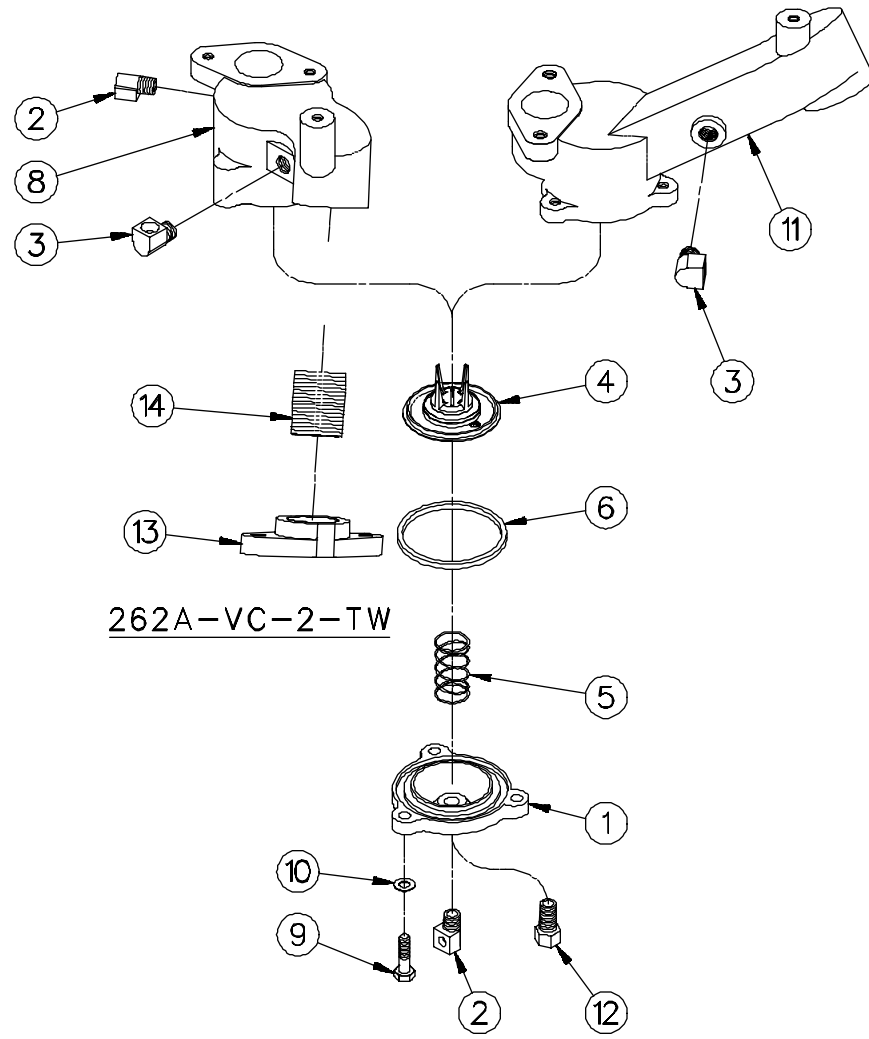
## 262A SOLENOID ASSEMBLY

<u>Item</u>	<u>Part No.</u>	<u>Description</u>	<u>Item</u>	<u>Part No.</u>	<u>Description</u>
1	1-125636	1/4" Male Connector	<b>For complete Cover &amp; Solenoid</b>		
2	<u>1/4" Male</u>		<b>Assembly order:</b>		
	1-125636	Connector (262A/AFL-2-TW)	(Does not include Solenoid Box)		
	1-125637	Elbow (All Models Except 262A/AFL-2-TW)	313227-4	262A/AFL, 262A/AFL-RC, 262A/AFL-1-TW, 262A/AFL- 1 & 2-RC-TW	
3	<u>Solenoid</u>		313227-7	262A/AFL-2-TW	
	1-127324	110 Volt	313227-12	262A-HD (380 Volt), 262A- HD-1-TW (380 Volt)	
		220 Volt	313227-13	262A-HD-2-TW (380 Volt)	
4	4-127324	Plunger & Seal	313227-20	262A/AFL-M-HV-LC-RC	
5	5-127324	Flange Seal	313227-27	262A-HS	
6	1-127345	Seat Insert	<b>1-72234</b>		
7	1-128433	5/16" Male Elbow			
8	1-228327	Seat Insert			
9	1-313219	Solenoid Cover			
10	1-314610	Solenoid Box			
11	05-50361	1/4-20 x 1" Long M-F Hex Head Cap Screw			
12	01-51911	1/8" Pipe Plug			

# HYDRAULIC CONTROL VALVE ASSEMBLY



262A, 262A-RC, 262A-1-TW  
262A-HD, 262A-1 & 2-RC-TW



262A-VC-2-TW

262A-2-TW  
262A-VC-2-TW

262AFL-HC, 262A-HS,  
262AFL-M & S-RC

4-73550

1 of 1

## HYDRAULIC CONTROL VALVE ASSEMBLY

<u>Item</u>	<u>Part No.</u>	<u>Description</u>
1	1-39023	Valve Cover
2	1-125637	1/4" Male Elbow
3	1-128433	5/16" Male Elbow
4	218750-1	Hydraulic Valve Assembly
5	1-124454	Poppet Spring
6	3-313235	Gasket
7	228101-1	Valve Body
8	228101-3	Valve Body
9	04-50361	1/4-20 x 7/8" Long Hex Head Cap Screw
10	13-50641	1/4" Lockwasher
11	228101-5	Valve Body
12	1-125636	5/16" Male Connector
13	2-217867	Hose Flange
14	85-50550	1" x 1-1/2" Long Pipe Nipple

**For complete Hydraulic Valve Assembly order:**

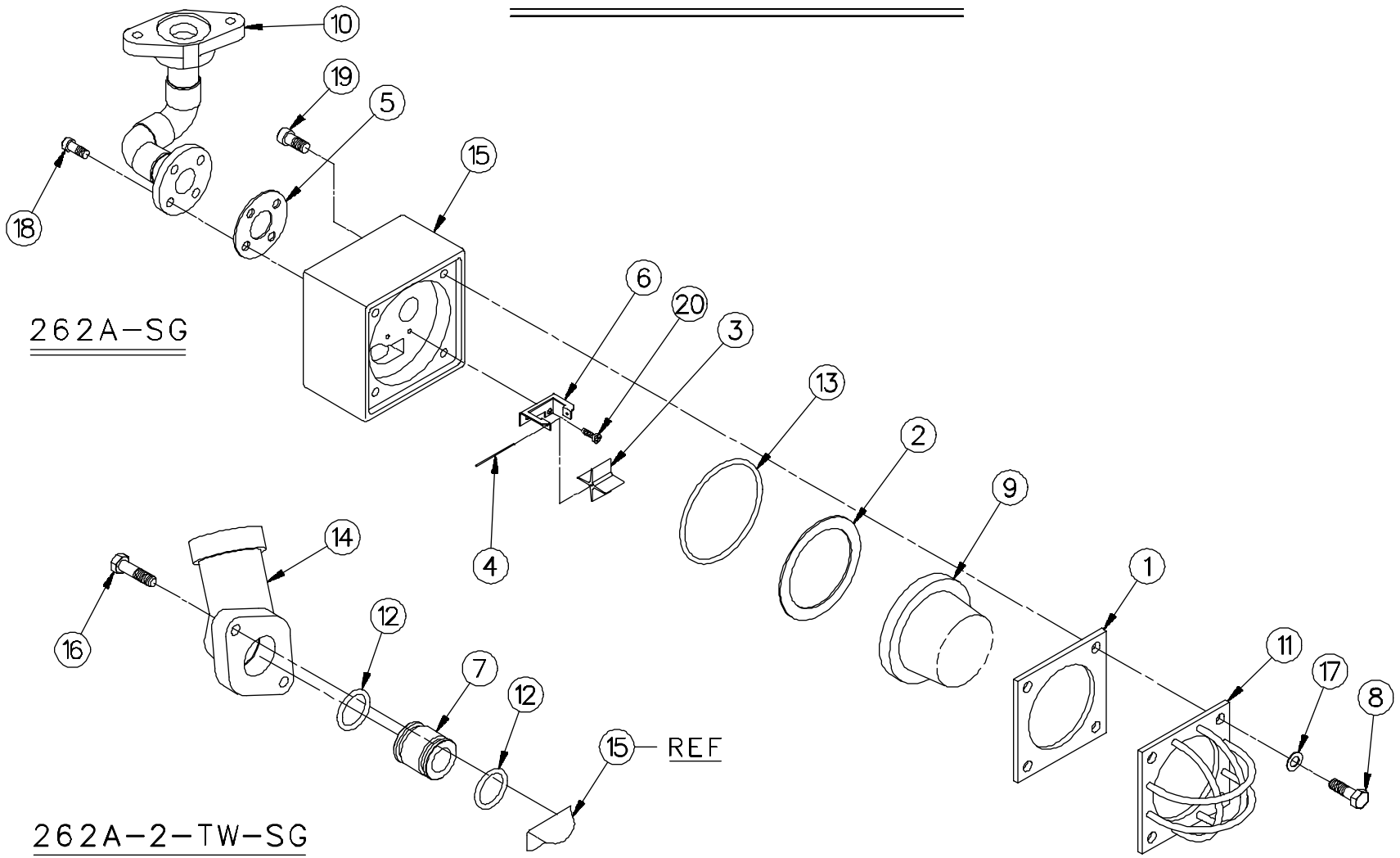
408542-9	262A/AFL, 262A/AFL-RC, 262A/AFL-1-TW, 262A/AFL-1 & 2-RC-TW
311932-12	262A/AFL-2-TW
311932-15	262AFL-M & S-RC
311932-18	262A-HS
311932-19	262A-VC-2-TW

---

---

4-73550

# 262A SIGHT GLASS



262A-SG

262A-2-TW-SG

1-73842

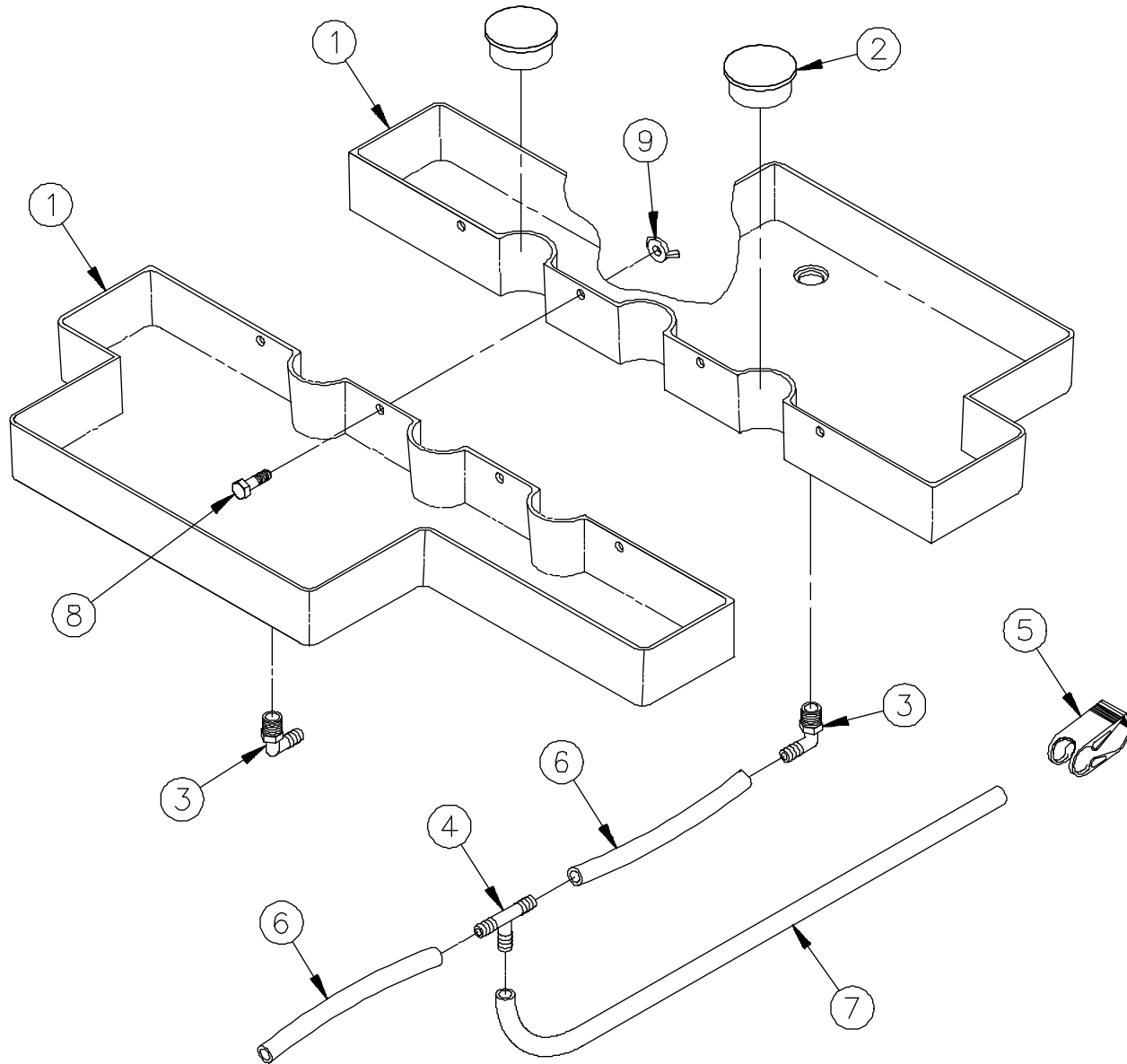
1 of 1

## 262A SIGHT GLASS

<u>Item</u>	<u>Part No.</u>	<u>Description</u>	<u>Item</u>	<u>Part No.</u>	<u>Description</u>
1	2-122586	Telegauge Glass Retainer	15	<u>Telegauge Housing</u>	
2	1-122669	Telegauge Glass Gasket		1-420354	262A-SG
3	1-132453	Telegauge Spinner		1-420632	262A-2-TW-SG
4	1-132455	Spinner Axle	16	36-50361	5/16-18 X 1-1/4" Long Hex Head Cap Screw
5	1-228621	Gasket	17	08-50761	5/16 Shakeproof Lockwasher
6	1-230750	Flow Diverter (Without Spinner)	18	34-52751	1/4-20 X 5/8" Long Socket Head Cap Screw
	1-230945	Spinner Bracket	19	47-52751	5/16-18 X 1/2" Long Socket Head Cap Screw
7	1-230932	Coupling	20	10-53291	#6-32 X 1/4" Long Phillips Pan Head Thread Cutting Screw
8	2-230958	5/16-18 X 1" Long Hex Head Cap Screw	<b>For complete Sight Glass Assembly order:</b>		
9	1-36802	Spinner Globe	<b>(Includes Side Housing Assembly)</b>		
10	318924-1	Outlet Tube Assembly		420385-1	262A-SG
11	318935-1	Guard Assembly		420385-2	262A-2-TW-SG
12	14-318940	"O" Ring		420385-3	262A-SG (With Spinner)
13	22-318940	"O" Ring		420385-4	262A-2-TW-SG (With Spinner)
14	1-319097	Swivel Connector			

1-73842

# 262A-R FUEL CONTAINMENT PAN ASSEMBLY



1-72236

1-72236

1 of 1

## 262A-R FUEL CONTAINMENT PAN ASSEMBLY

<u>Item</u>	<u>Part No.</u>	<u>Description</u>
1	DP-101-1	Poly Pan
2	DP-102	Pipe Cap
3	DP-103	3/8" x 3/8" 90° Elbow
4	DP-104	3/8" x 3/8" x 3/8" Tee
5	DP-105	Tube Clamp
6	DP-106	3/8" x 7" Long Poly Tubing
7	DP-107	3/8" x 22" Long Poly Tubing
8	DP-108	5/16-18 x 1" Long Hex Head Cap Screw
9	DP-109	5/16" Wingnut

**For complete Fuel Containment Pan Assembly order: 1-232183**

**Reference: Specs For Fuel Containment Pan Assembly.**

---

---

1-72236