

Centurion Parts Manual ~ All Models

Outer Shell

Trim Assembly

Nozzle Well and Nozzle Well Body

Prior to August 1996

August 1996 & April 1997 to present

Lower Frame Assembly

Remote Control

Suction

End Panel Assembly

Enclosure Support Assembly

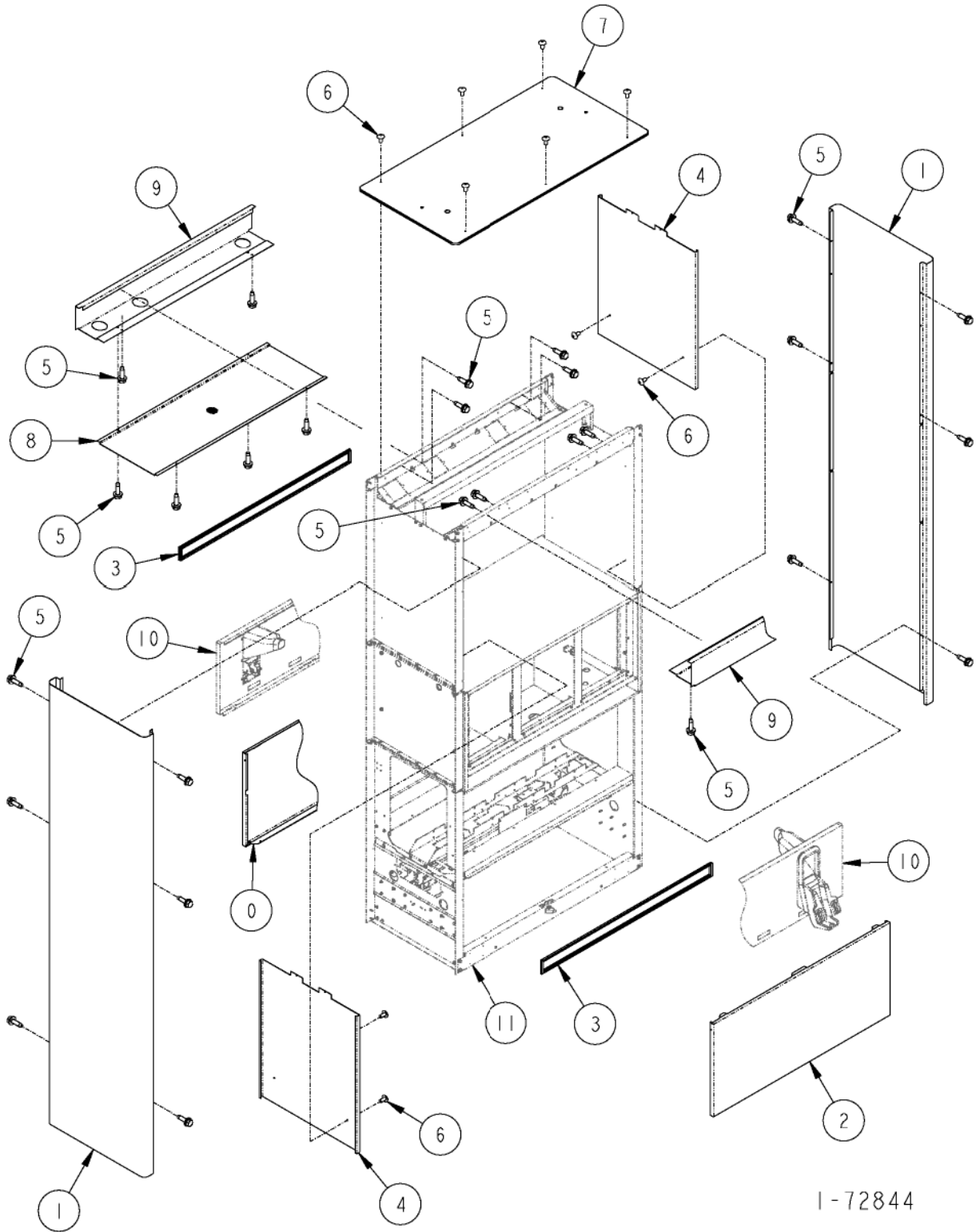
Center Enclosure Assembly

Wide Frame

Narrow Frame

Canopy Assembly

TRIM ASSEMBLY
(WIDE FRAME SHOWN)

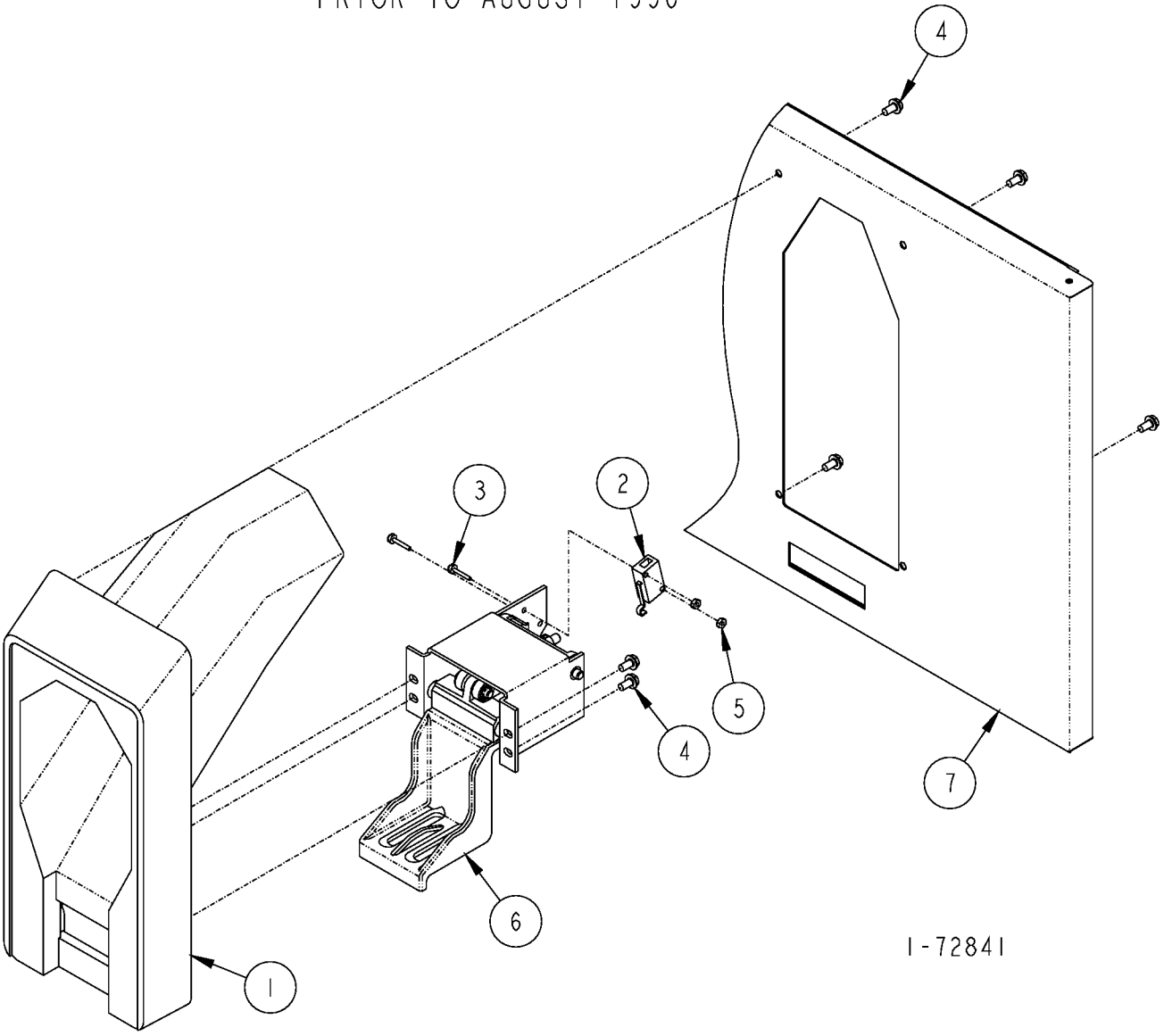


1-72844

EXTERIOR TRIM PANELS CENTURION WIDE & NARROW FRAME DISPENSERS

ITEM PART			ITEM PART		
NO.	NO.	DESCRIPTION	NO.	NO.	DESCRIPTION
1	Side Panel		9	Canopy Panel (Wide Frame)	
	8900852			8900850	Painted (3 Hose)
	8900988			8900874	Painted (1 Hose)
	Lower Door (Wide Frame)			8900934	Painted (2 Hose)
	8900854	Painted		8900947	Painted (4 Hose)
	8900951	Stainless Steel		8900953	Stainless Steel (3
	Lower Door (Narrow Frame)			8900954	Stainless Steel (2
	8900908	Painted		8900955	Stainless Steel (1
	8900987	Stainless Steel		8900962	Painted (0 Hose)
	Rail Frame (Wide Frame)			8901068	Stainless Steel (0
	8801143	Lighted		Canopy Panel (Narrow Frame)	
	8801103	Non-Lighted		8900905	Painted (2 Hose)
	Rail Frame (Narrow Frame)			8900906	Painted (1 Hose)
8801238	Lighted	8901041	Stainless Steel (2		
8801237	Non-Lighted	8901042	Stainless Steel (1		
4	8900855	Inside Riser Cover	10	For parts call out of Nozzle Boot & Nozzle Well Panel see:	
5	4004062	#10-24 x 3/8" Long Flange Hex Head Self Tapping Screw #10-32 x 3/8" Long Machine Screw		72841	Prior to August 1996
7	Canopy Top Cover		72842	August 1996 & April 1997 to present	
	8900863	Wide Frame	11	For parts call out of:	
	8900912	Narrow Frame		72824	Lower Frame Assembly
8	Canopy Access Panel			72825	Center Enclosure Assy. (Wide Frame)
	8900851	Wide Frame	72828	Center Enclosure Assy. (Narrow Frame)	
	8900907	Narrow Frame	72843	Canopy Assembly	

NOZZLE BOOT & NOZZLE WELL PANEL
PRIOR TO AUGUST 1996



1-72841

NOZZLE BOOT ASSEMBLY
PRIOR TO AUGUST 1996

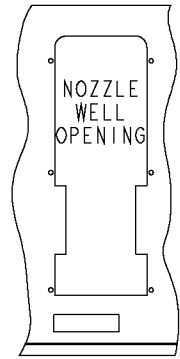
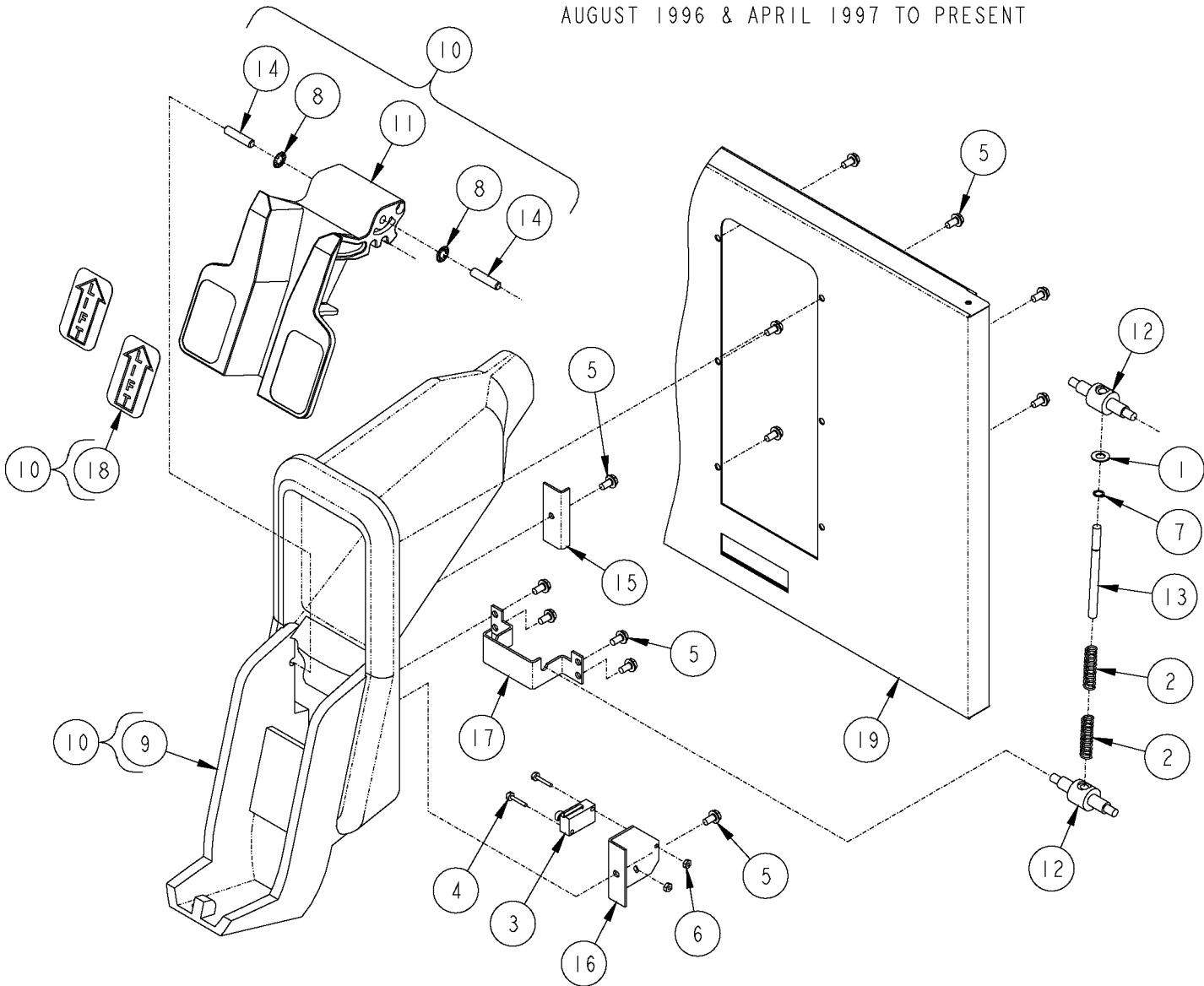
1-
72841

ITEM NO.	PART NO.	DESCRIPTION
1	K-115	Nozzle Boot
2	0080069	Switch
3	4002095	#4-40 x 5/8" Long Screw
4	4004077	Hex Head Self Tapping Screw
5	4022015	#4-40 Hex Nut
6	8600023	Switch Mechanism With Pivot Block & Lift Handle
7	<u>Nozzle Well Body Panel</u>	
	8900883	3 Hose (Wide Frame)
	8900884	1 Hose (Wide Frame)
	8900909	2 Hose (Narrow Frame)
	8900910	1 Hose (Narrow Frame)
	8900933	2 Hose (Wide Frame)
	8900944	4 Hose (Wide Frame)

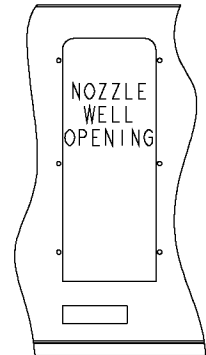
1-
72841

NOZZLE BOOT & NOZZLE WELL PANEL

AUGUST 1996 & APRIL 1997 TO PRESENT



RELEASED
AUGUST 8, 1996



RELEASED
APRIL 4, 1997

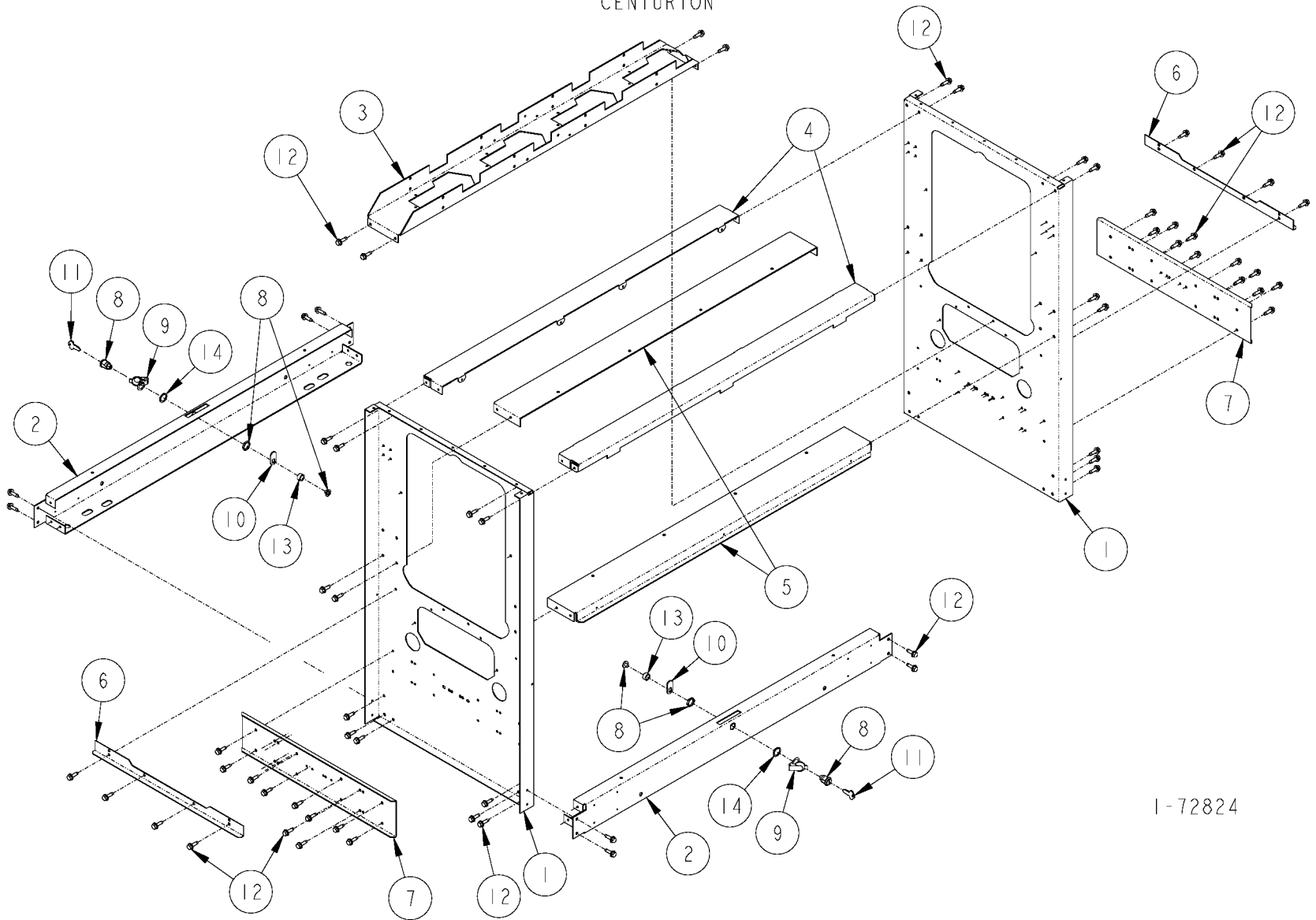
1-72842

NOZZLE BOOT & NOZZLE WELL PANEL

AUGUST 1996 & APRIL 1997 TO PRESENT

ITEM PART			ITEM PART			ITEM PART	
NO.	NO.	DESCRIPTION	NO.	NO.	DESCRIPTION	NO. NO.	DESCRIPTION
1	E-499	Washer	15	8600059	Hinge Pin Retainer	<u>19 Continued</u>	
2	X-661-12	Spring	16	8600060	Switch Bracket	Released April 4, 1997 (Narrow Frame)	
3	0080069	Microswitch	17	8600070	Bracket, Lift Handle	8900965	0 Hose
4	4002095	4-40 x 5/8" Long Switch Mounting Screw	18	8910885	Pivot Block (Lift to start only) Decal	8901012	2 Hose
5	4004077	10-24 x 1/2" Long Flange Hex Head Self Tapping Screw	19	<u>Nozzle Well Body Panel</u> Released August 8, 1996 (Wide Frame)		8901013	1 Hose
6	4022015	#4-40 Hex Nut		8900856	3 Hose	8901051	2 Hose (2 totalizer windows, Tok 262 footprint)
7	4051510	Retaining Ring		8900877	1 Hose	8901052	1 Hose (1 totalizer window, Tok 262 footprint)
8	4051516	Retaining Ring		8900945	4 Hose	8901064	1 Hose (2 totalizer windows, Tok 262 footprint)
9	8100325	Nozzle Well		8900946	2 Hose	8901274	1 Hose (1 totalizer window, Suction)
10	Nozzle Well Assembly (Includes item # 8, 9, 10, 13 17)			Released April 4, 1997 (Wide Frame)		<u>For complete Nozzle Well Body Assembly</u>	
	8600062	Lift to start		8900964	0 Hose	Released April 4, 1997	
	8600063	Push to start		8901007	4 Hose	8900996	1 Hose Right Wide Frame
11	Nozzle Hanger Plastic			8901008	3 Hose	8900997	2 Hose Wide Frame
	8600050	Type 2 (Standard)		8901009	2 Hose	8900998	3 Hose Wide Frame
	86000501	Type 1 (For vapor)		8901010	1 Hose	8900999	4 Hose Wide Frame
				8901011	1 Hose (Center mount nozzlewell)	8901235	1 Hose Center Wide
				Released August 1996 (Narrow Frame)		8901000	1 Hose Narrow Frame
12	8600055	Pivot Block, Lift Handle		8900949	2 Hose	8901002	2 Hose Narrow Frame
13	8600056	Pivot Shaft, Lift		8900950	1 Hose	8901277	Narrow Frame (Suction)
14	8600057	Hinge Pin, Lift Handle					

LOWER FRAME ASSEMBLY
CENTURION

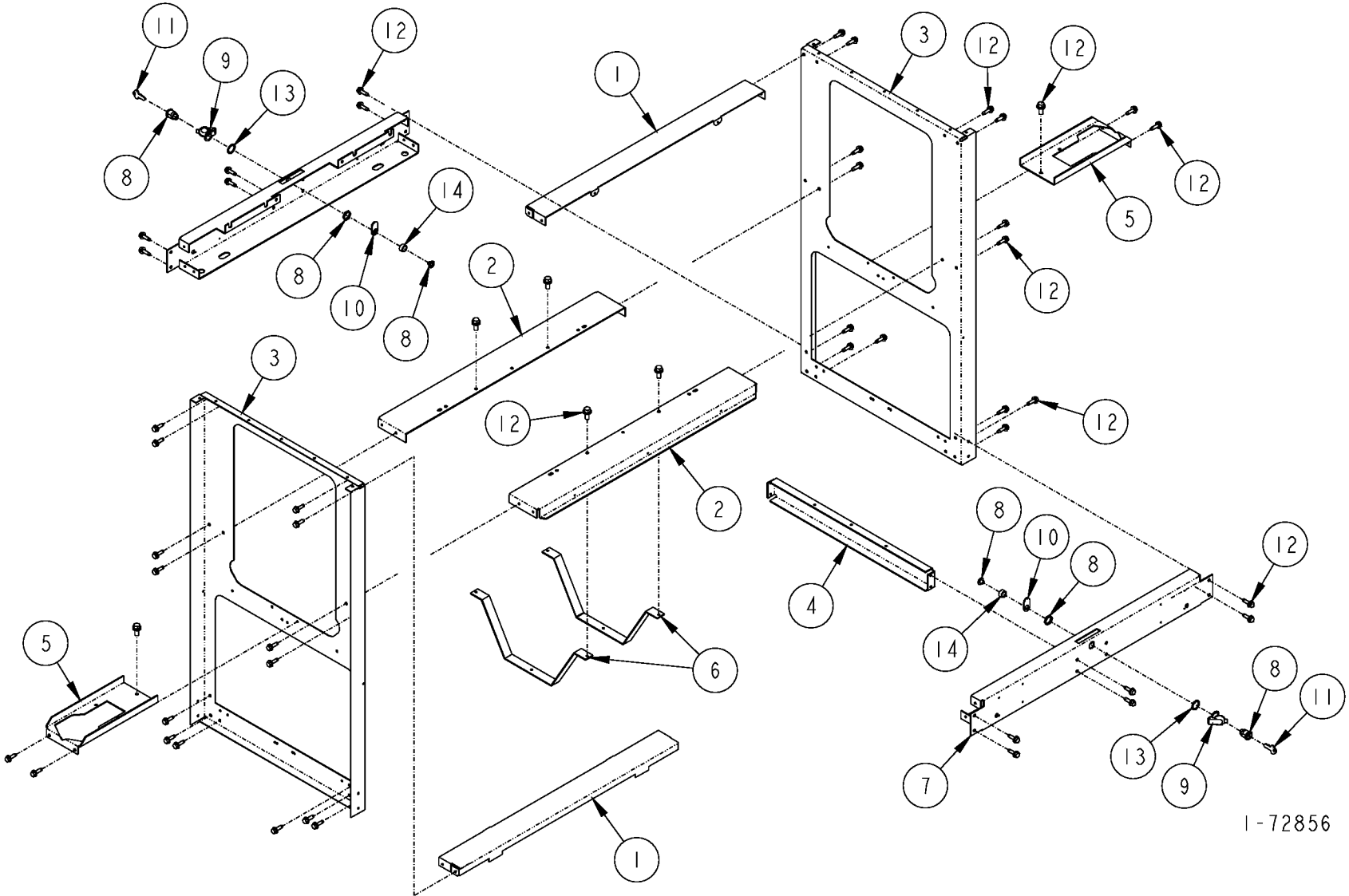


1-72824

LOWER FRAME ASSEMBLY CENTURION

ITEM PART			ITEM PART		
NO.	NO.	DESCRIPTION	NO.	NO.	DESCRIPTION
1	8200387	Lower Frame Channel	6	8200439	Lower Frame Reinforcement Angle (Franklin Assist only)
2	<u>Base Rail</u>		7	8200443	Lower Frame Reinforcement Channel (Franklin Assist only)
	8200389	Wide Frame			
	8200413	Narrow Frame	8	4110083	2-way Lock
3	<u>Vertical Casting Bracket</u>		9	4180014	Lock Cover
	8200423	Wide Frame (Prior to 3/98)	10	G-1232-1	Lock Cam
	8200424	Narrow Frame (Prior to 3/98)	11		Key
	8200441	Narrow Frame (Prior to 3/98)	12	4005047	1/4-20 x 3/4" Long Flange Hex Head Self Tapping Screw
	8200442	Arco Narrow Frame (Prior to 3/98)	13	S-912-2	Lock Washer
	8200456	Wide Frame (After 3/98)	14	S-912-3	Lock Spacer
	8200457	Narrow Frame (After 3/98)			
	8200458	Tokheim 262			
	8200459	Tokheim 262-1&2-Twin			
		4 <u>Vapor Barrier Support Bracket</u> 8200394			Wide Frame
	8200415	Narrow Frame			
5	<u>Nozzle Well Body Support Bracket</u> 8200396	Wide Frame			
	8200417	Narrow Frame			

LOWER FRAME ASSEMBLY
CENTURION SUCTION

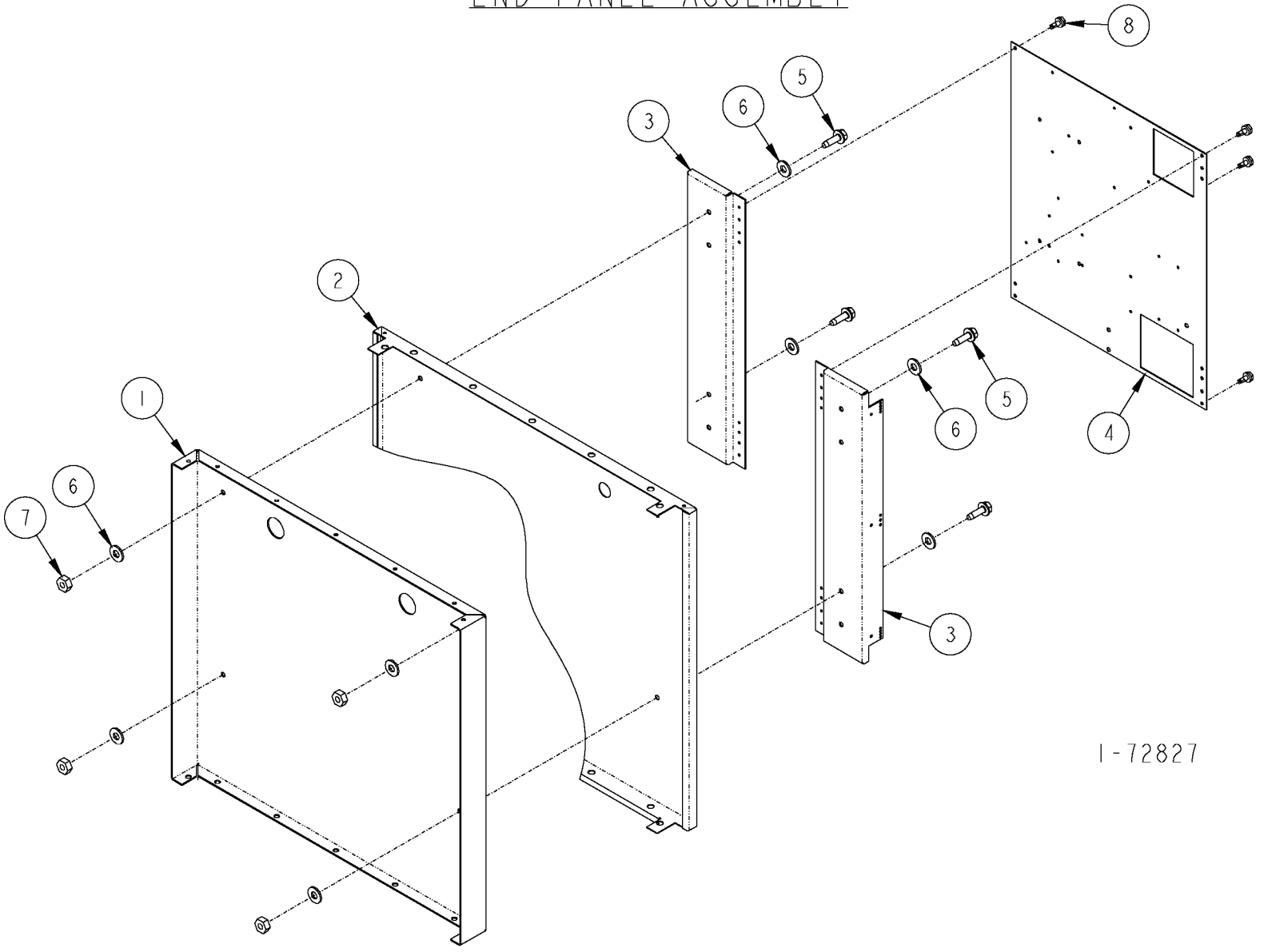


1-72856

LOWER FRAME ASSEMBLY CENTURION SUCTION

ITEM NO.	PART NO.	DESCRIPTION
1	8200415	Vapor Barrier Support Bracket
2	8200417	Nozzle Well Body Support Bracket
3	8200481	Lower Side Panel
4	8200488	Suction Base Bracket
5	8200496	Filter Casting Bracket
6	8200501	Filter Casting Bracket Support
7	8200502	Base Rail
8	4110083	2-way Lock
9	4180014	Lock Cover
10	G-1232-1	Lock Cam
11		Key
12	4005047	1/4-20 x 1/2" Long Flange Hex Head Self-Tapping
13	S-912-2	Lock Washer
14	S-912-3	Lock Spacer

END PANEL ASSEMBLY

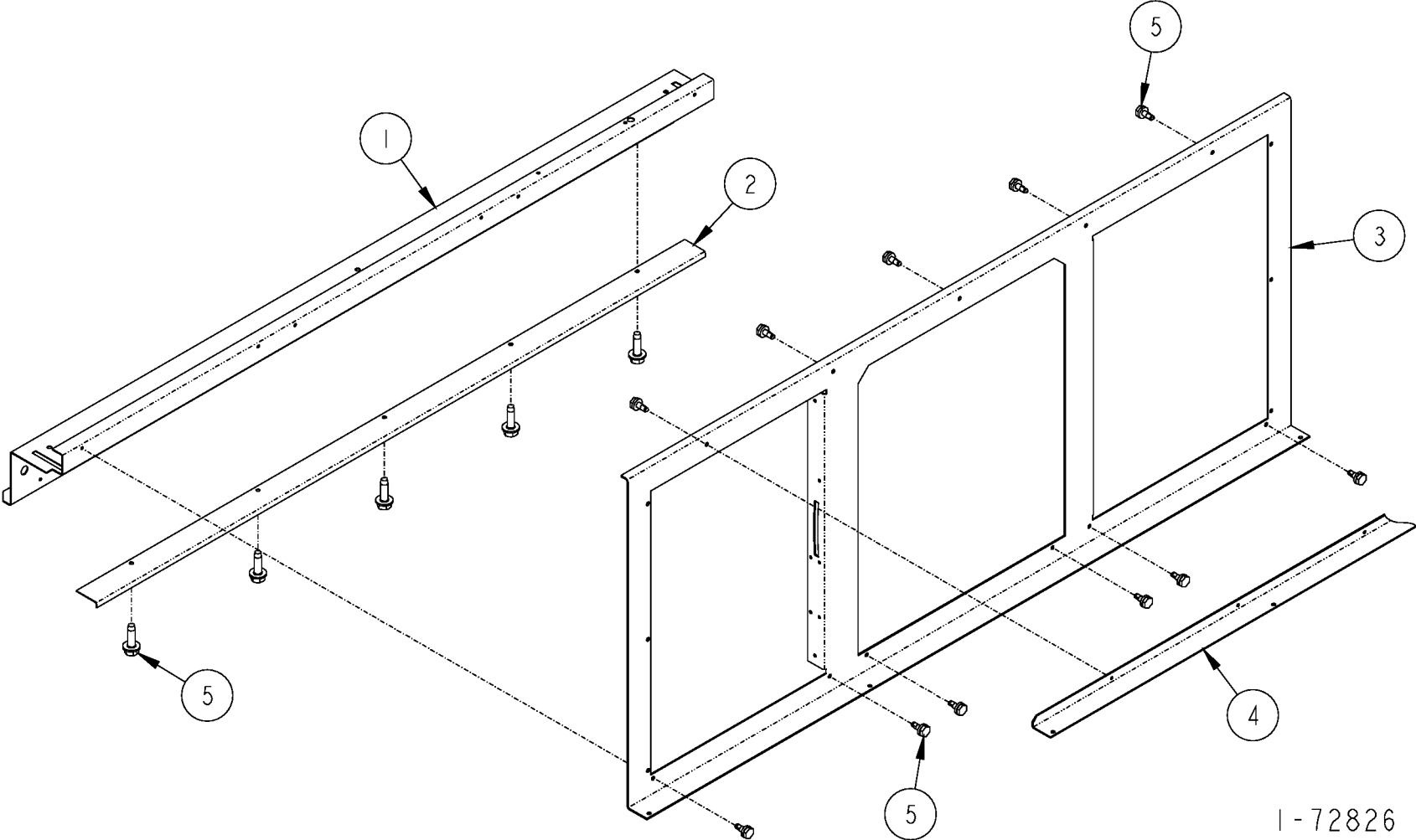


1-72827

END PANEL ASSEMBLY

ITEM	PART	
NO.	NO.	DESCRIPTION
1	8200397	Middle Channel
2	Computer End Panel	
	8801316	Left Hand
	8801032	Right Hand
3	8801215	Computer Corner Vertical Bracket
4	8801208	Computer Side Panel
5	4005059	1/4-20 x 3/4" Long Flange Hex Head Self-Tapping Screw
6	4035040	Flat Washer
7	4025025	1/4-20 x 1/2" Long Flange Hex Head Self-Tapping Screw
8	4003582	#8-32 x 3/8" Long Flange Hex Head Self-Tapping Screw

ENCLOSURE SUPPORT ASSEMBLY

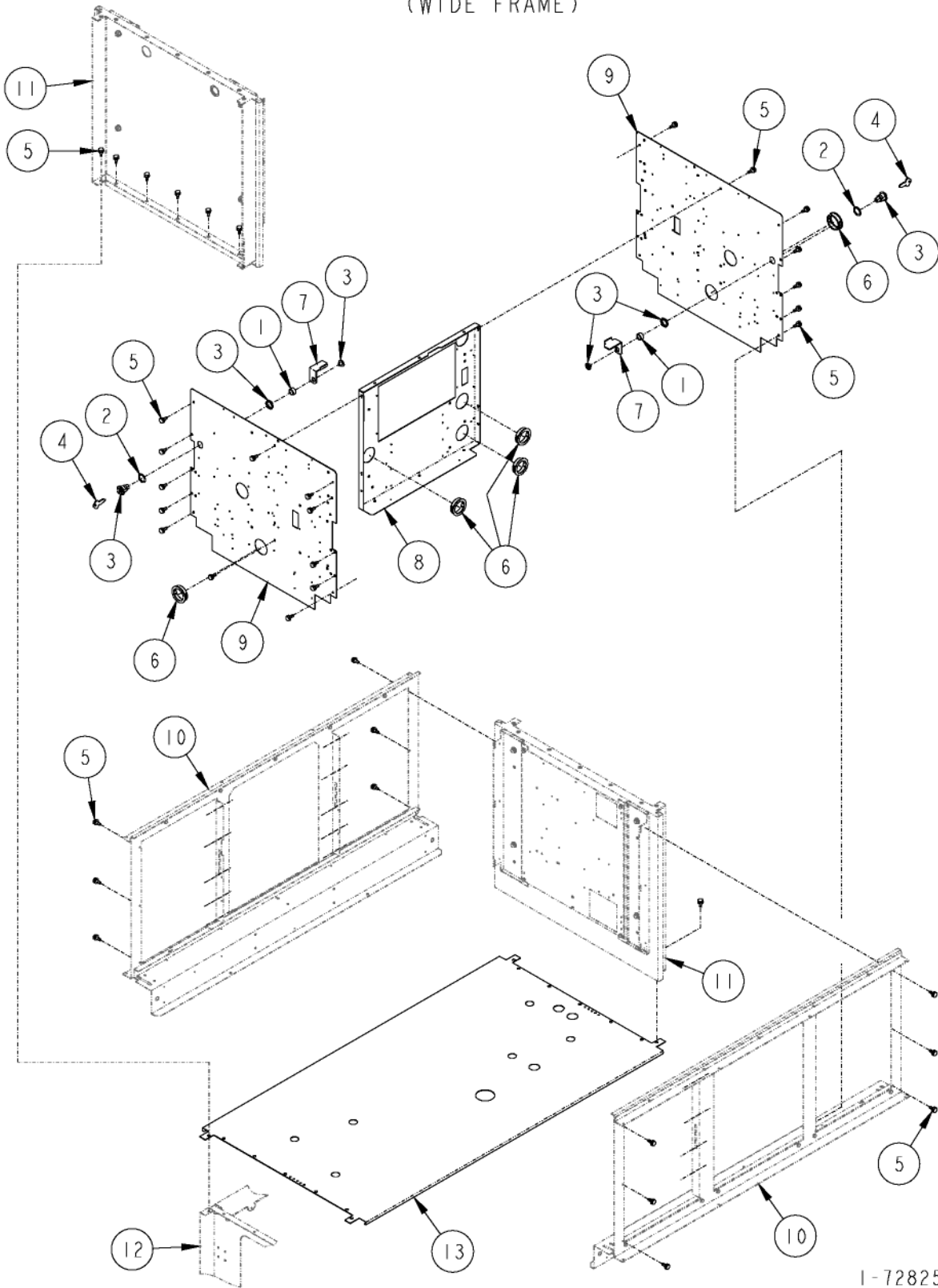


1-72826

ENCLOSURE SUPPORT ASSEMBLY

ITEM NO.	PART NO.	DESCRIPTION
1		Computer Lower Rail & Light Bracket
	8801003	Wide Frame
	8801202	Narrow Frame
2		Extrusion Back Stop Bracket
	8801167	Wide Frame
	8801218	Narrow Frame
3		Computer Door Face Panel
	8801247	Wide Frame
	8801252	Narrow Frame
4		Computer Door Support Bracket
	8801248	Wide Frame
	8801253	Narrow Frame
5	4003582	#8-32 x 3/8" Long Flange Hex Head Self-Tapping

CENTER ENCLOSURE ASSEMBLY (WIDE FRAME)

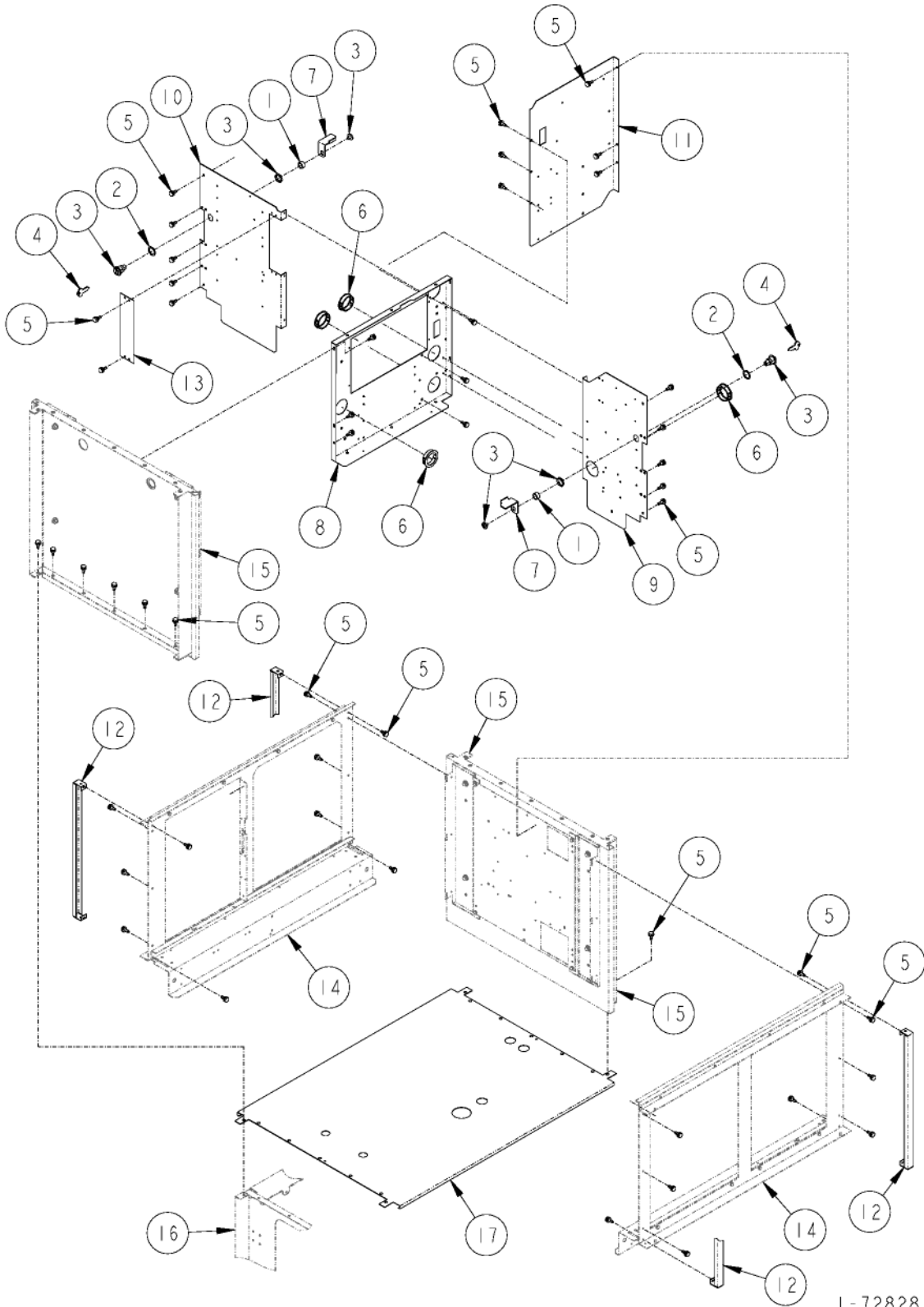


1-72825

CENTER ENCLOSURE ASSEMBLY WIDE FRAME

ITEM NO.	PART NO.	DESCRIPTION
1	S-912-2	Nylon Spacer
2	S-912-3	Nylon Washer
3	X-633-13	Keylock
4		Key
5	4003582	#8-32 x 3/8" Long Flange Hex Head Self-Tapping
6	4130001	Snap Bushing
7	8801011	Lock Lever
8	8801204	Computer/Relay Mounting Bracket
9	8801300	Power Supply/Blend Board Panel
10	<u>For parts callout of Enclosure Support Assembly see 72826.</u>	
11	<u>For parts callout of End Panel Assembly see 72727.</u>	
12	<u>For parts callout of Lower Frame Assembly see 72824.</u>	
13	Vapor Barrier	
	8801079	Models 23112 24102, 24112, 25102,
	8801265	Models 23332
	8800980	Models 33112 33302,
	8801194	Models 34222 35202,
	8801064	Models 44222 44402,
	8801310	Models 34402

CENTER ENCLOSURE ASSEMBLY
(NARROW FRAME)

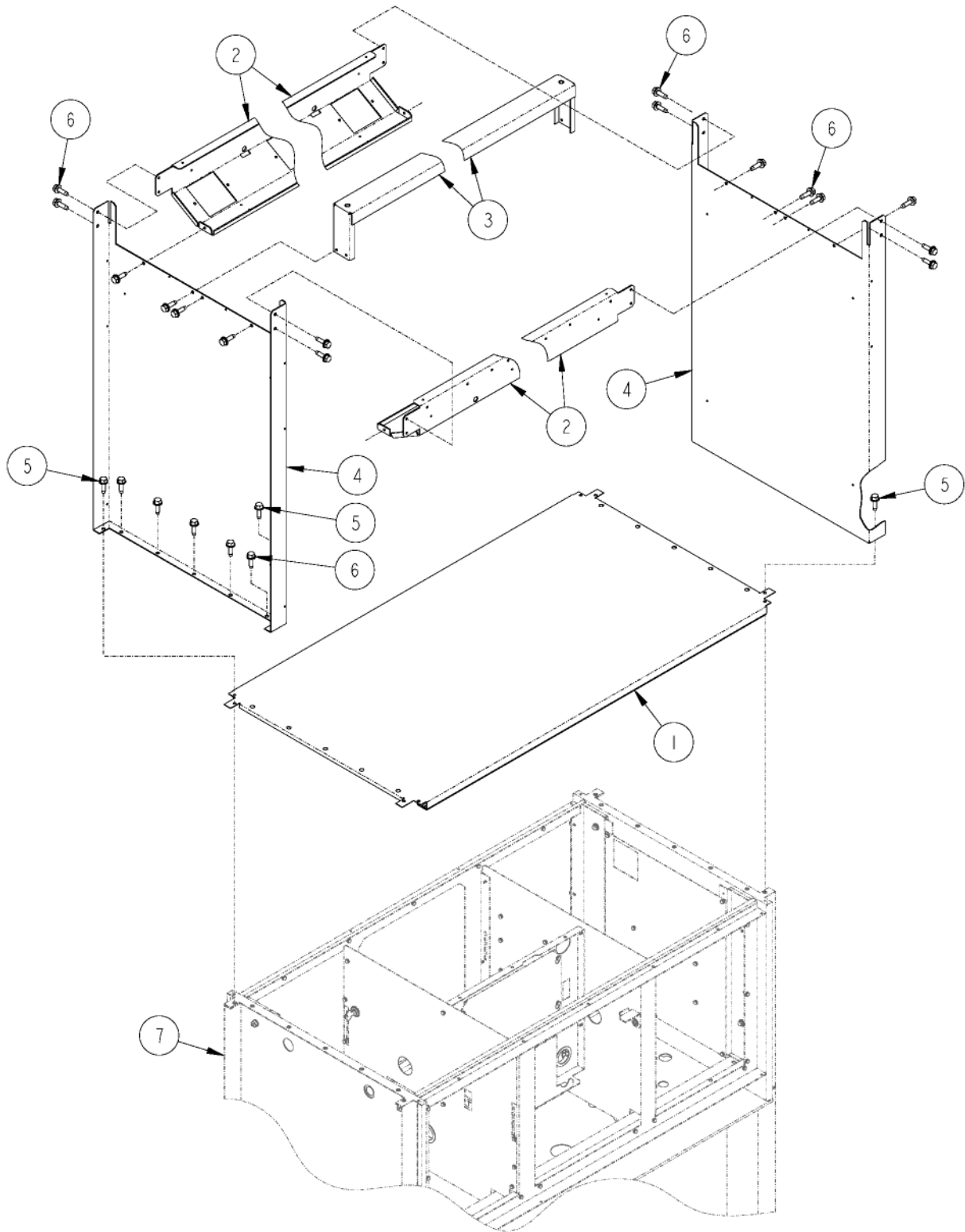


1-72828

CENTER ENCLOSURE ASSEMBLY NARROW FRAME

ITEM NO.	PART NO.	DESCRIPTION
1	S-912-2	Nylon Spacer
2	S-912-3	Nylon Washer
3	X-633-13	Keylock
4		Key
5	4003582	#8-32 x 3/8" Long Flange Hex Head Self-Tapping
6	4130001	Snap Bushing
7	8801011	Lock Lever
8	8801204	Computer/Relay Mounting Bracket
9	8801205	Computer Middle Panel Side 1
10	8801206	Power Supply Middle Panel Side 2
11	8801207	Barrier Power Distribution Mounting Bracket
12	8801209	Cover Panel Door Sides
13	8801242	Slot Cover Power Supply Panel
14	<u>For parts callout of Enclosure Support Assembly see 72826.</u>	
15	<u>For parts callout of End Panel Assembly see 72727.</u>	
16	For parts callout of Lower Frame Assembly see.	
	72824	Remote Control System
	72856	Suction System
17	<u>Vapor Barrier</u>	
	8801244	Models 11101, 11111 (Remote Control System)
	8801210	Models 22201, 22221 (Remote Control System)
	8801171	Models 23101, 23111, 24101, 24111, 25101, 25111
	8801495	Models 11101, 11111, 222201, 22221 (Suction System)

CANOPY ASSEMBLY
(WIDE FRAME SHOWN)



1-72843

CANOPY ASSEMBLY (WIDE FRAME SHOWN)

ITEM NO.	PART NO.	DESCRIPTION
1		Center Enclosure Top
	8200862	Wide Frame
	8900911	Narrow Frame
2		Canopy Frame Channel
	8200390	Wide Frame
	8200414	Narrow Frame
3		Lift Beam
	8200395	Wide Frame
	8200416	Narrow Frame
4	8200398	Upper Frame Channel
5	4004077	#10-24 x 3/8" Long Flange Hex Head Self-Tapping
6	4005047	1/4-20 x 1/2" Long Flange Hex Head Self-Tapping Screw
7		For parts callout of Center Enclosure Assembly
	72825	Wide Frame
	72828	Narrow Frame

