

3000101

Rev A/27-Jan-94

8300359	VAPOR MANIFOLD, 2PD, PMEX.....	167
8600022	SWITCH MECHANISM W/HALL EFFECT SWITCH.....	168
8600031	LIFT HANDLE, TALL, FOR USE WITH BOOTED VAPOR NOZZLES.....	169
8600032	LIFT HANDLE, SHORT, FOR USE WITH STANDARD NOZZLES.....	170
8800450	PULSER TOTALIZER ASSEMBLY, 4000 MPD'S.....	171
8800583	PULSER TOTALIZER ASSEMBLY, 4000 TRUCKSTOP.....	172

**TRUCK STOP HYDRAULIC PART DRAWINGS ..... 173**

8910499	4611 AND 4722 SATELLITE HOSE INLET "B" (SIB) HYDRAULICS.....	173
8910500	4722 SATELLITE HOSE INLET "A" (SIA) HYDRAULICS.....	174
8910501	4720 AND 4722 INLET "B" MASTER HOSE HYDRAULICS.....	175
8910502	4610, 4620, 4720, AND 4722 INLET "A" MASTER HOSE HYDRAULICS.....	176
8910513	4801, 4802, AND 4902 SATELLITE HOSE HYDRAULICS.....	177

**DISPENSER FRAME PART DRAWINGS ..... 179**

8200231	4100 / 4200 FRAME ASSEMBLY.....	179
8900563	4100 / 4200 CABINET ASSEMBLY.....	181
8910417	4100 / 4200 COMPUTER HEAD.....	183
8200197	4300 / 4400 FRAME ASSEMBLY.....	185
8900423	4300 / 4400 CABINET ASSEMBLY.....	187
8910408	4300 / 4400 COMPUTER HEAD.....	189
8200254	4000 TRUCK STOP FRAME ASSEMBLY.....	191
8900632	4000 TRUCK STOP CABINET ASSEMBLY.....	193

**4000 DISPENSER PARTS LIST ..... 195**

BY DESCRIPTION.....	195
BY PART NUMBER.....	205

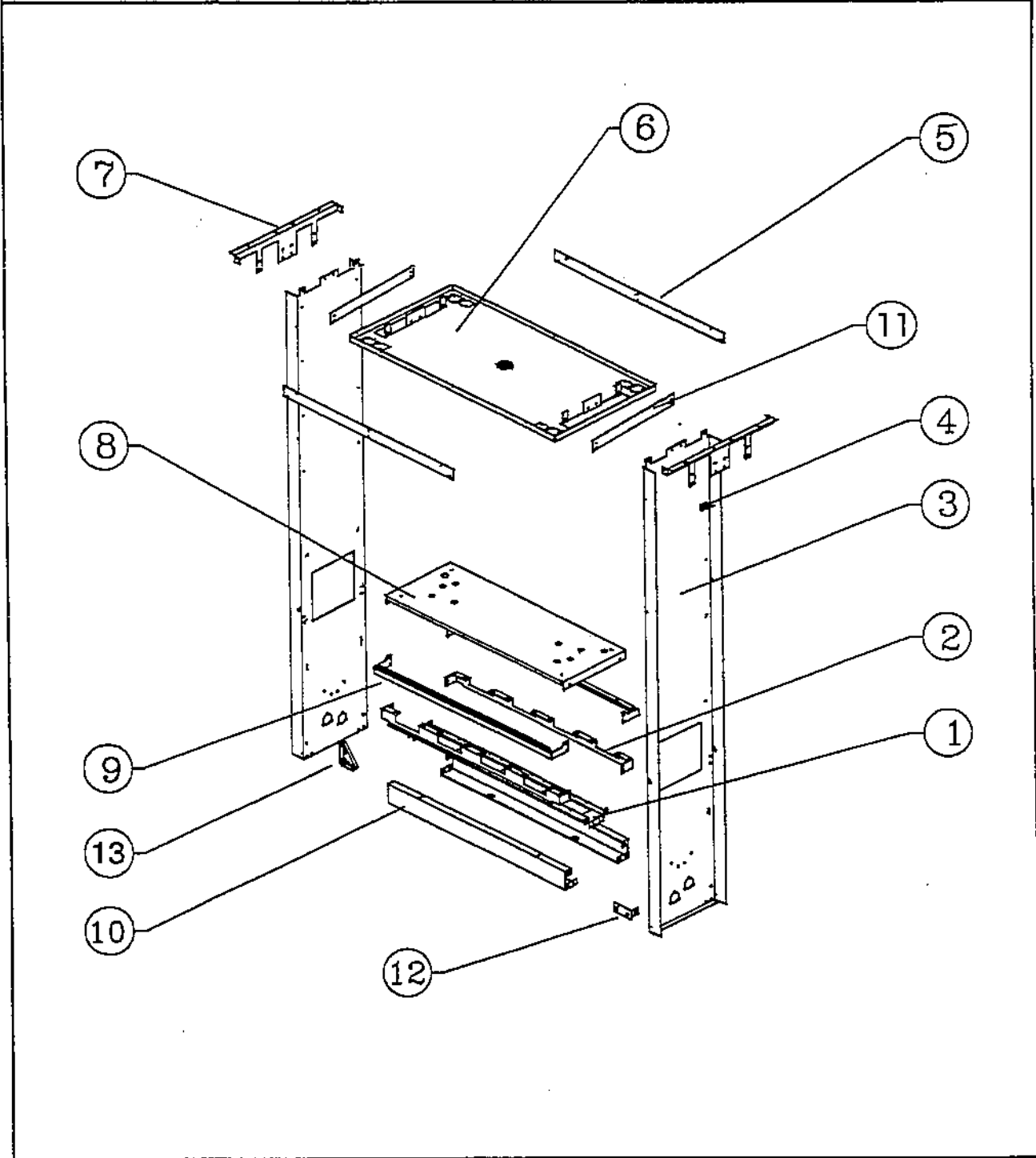
**REFERENCE MATERIAL..... 215**

4000 CABLE & ELECTRONIC REFERENCE TABLES.....	215
4100.....	215
4110.....	217
4200.....	219
4220.....	221
4300.....	223
4330.....	225
4301.....	227
4331.....	228
4400.....	229
4440.....	231
4610.....	233
4611.....	235
4620.....	237
4720.....	239
4722.....	241
4801.....	243
4802.....	243
4902.....	243
HYDRAULIC REFERENCE VIEWS.....	245
8910519 4110 HYDRAULICS.....	245
8910545 4220 HYDRAULICS.....	249
8910522 4330 HYDRAULICS.....	253
8910515 4331 HYDRAULICS.....	257
8910561 4330 AMOCO VAPOR ASSIST CANOPY HYDRAULICS.....	261
8910517 4440 HYDRAULICS.....	262
8910436 4440 HYDRAULIC COMPARTMENT WITH BLEND VALVE.....	266
8910437 4330 HYDRAULIC COMPARTMENT WITH BLEND VALVE.....	267

4000 Dispenser  
Frame Parts

**SECTION 6, SERVICE PARTS**

PART NUMBER	DESCRIPTION	REF #
8200231	4100 / 4200 Frame Assembly	



4000 Dispenser  
Frame Parts

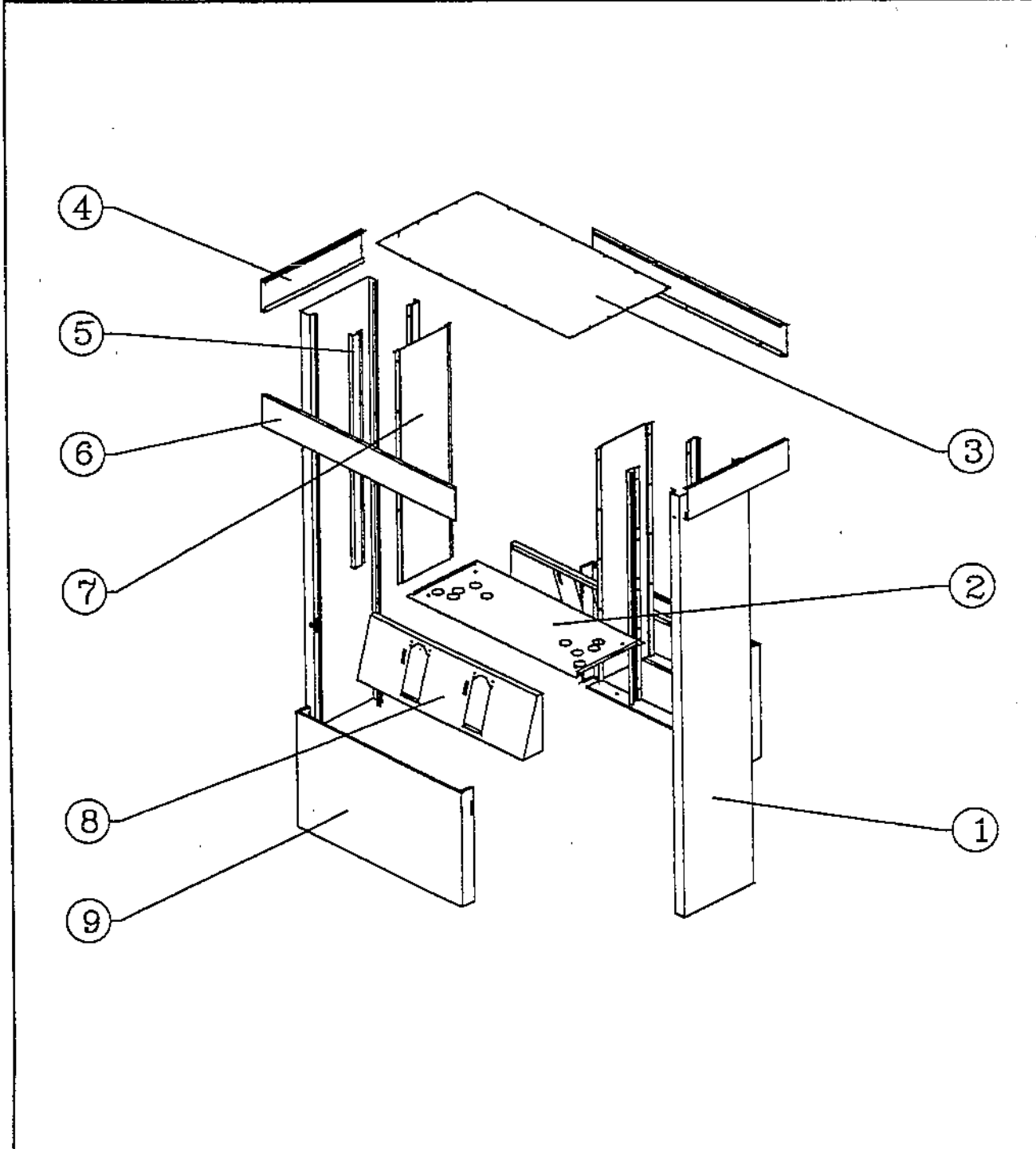
**SECTION 6, SERVICE PARTS**

PART / DWG #	DESCRIPTION	REF #
8200231	4100 / 4200 Frame Assembly Cont.	
8200173	Filter support bracket	1
8200182	Meter support bracket, 1/2PD	2
8200099	Canopy post	3
8200161	Conduit retainer bracket	4
8900460	Front canopy panel lower support bracket, 1/2PD	5
8200184	Canopy bracket, 1/2PD	6
8200128	End canopy panel support bracket	7
8200183	Vapor barrier bracket, 1/2PD	8
8200175	Nozzle well support bracket, 1/2PD	9
8200174	Base front, 1/2PD	10
8900422	Side canopy panel lower support bracket	11
8200172	Junction box bracket	12
8900240	Mounting bracket, lighted canopy	13

4000 Dispenser  
Frame Parts

**SECTION 6, SERVICE PARTS**

PART NUMBER	DESCRIPTION	REF #
8900563	4100 / 4200 Cabinet Assembly	



4000 Dispenser  
Frame Parts

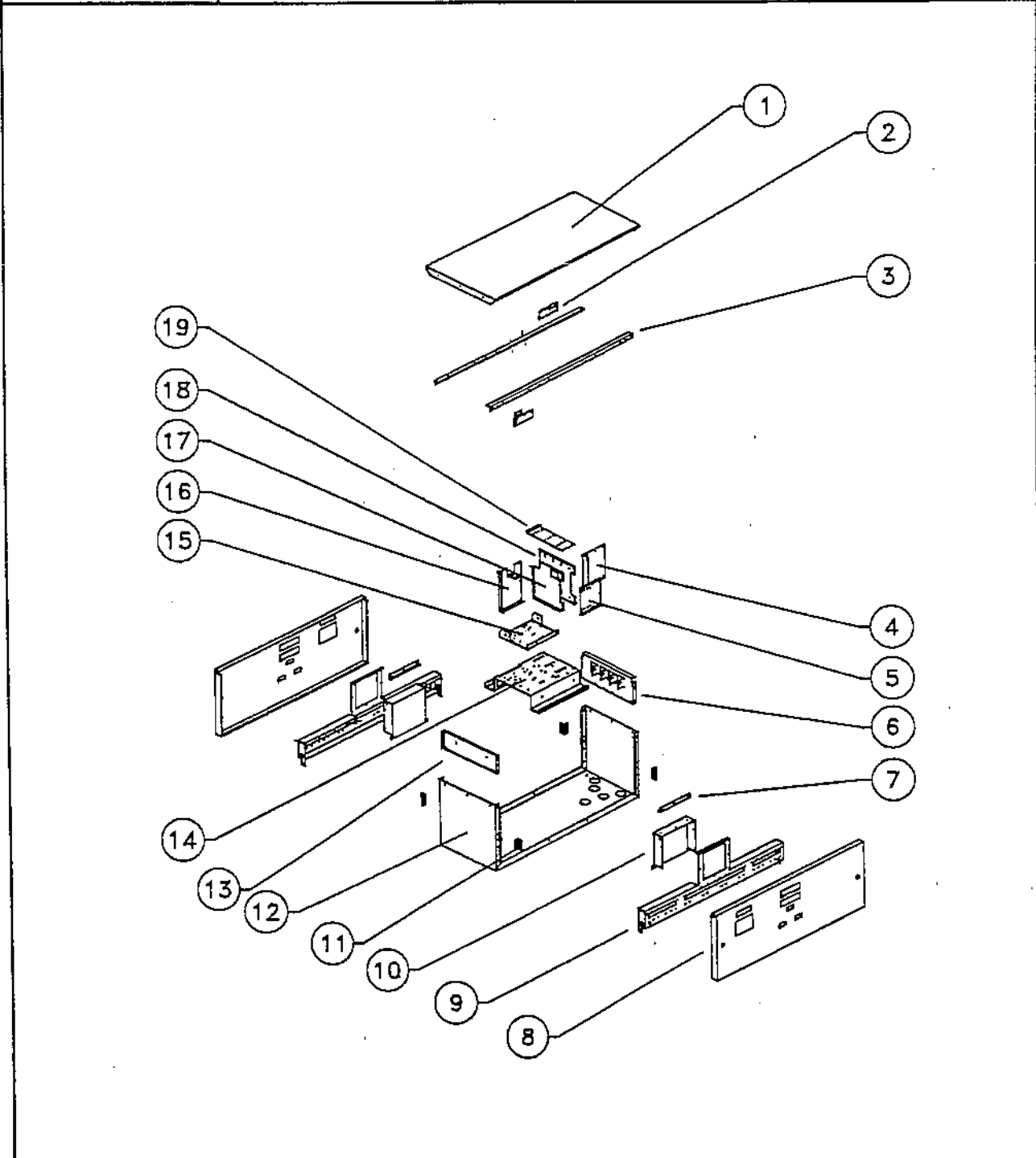
**SECTION 6, SERVICE PARTS**

PART / DWG #	DESCRIPTION	REF #
8900563	4100 / 4200 Cabinet Assembly Cont.	
8900257 .....	Riser cover, Stainless Steel .....	1
8900374 .....	Top panel, 1/2PD .....	2
8900365 .....	Canopy top cover, 1/2PD .....	3
8900296 .....	Side canopy panel .....	4
8900315 .....	Riser cover front trim.....	5
8900362 .....	Front canopy panel, 1/2PD .....	6
8900290 .....	Inside riser cover.....	7
8900366 .....	4100 Nozzle well body .....	8
8900367 .....	4200 Nozzle well body .....	8
8900363 .....	Lower Door, Cold Roll Steel, 1/2PD.....	9
8900386 .....	Lower Door, Stainless Steel, 1/2PD.....	9

4000 Dispenser  
Frame Parts

**SECTION 6, SERVICE PARTS**

PART NUMBER	DESCRIPTION	REF #
8910417	4100 / 4200 Computer Head	



4000 Dispenser  
Frame Parts

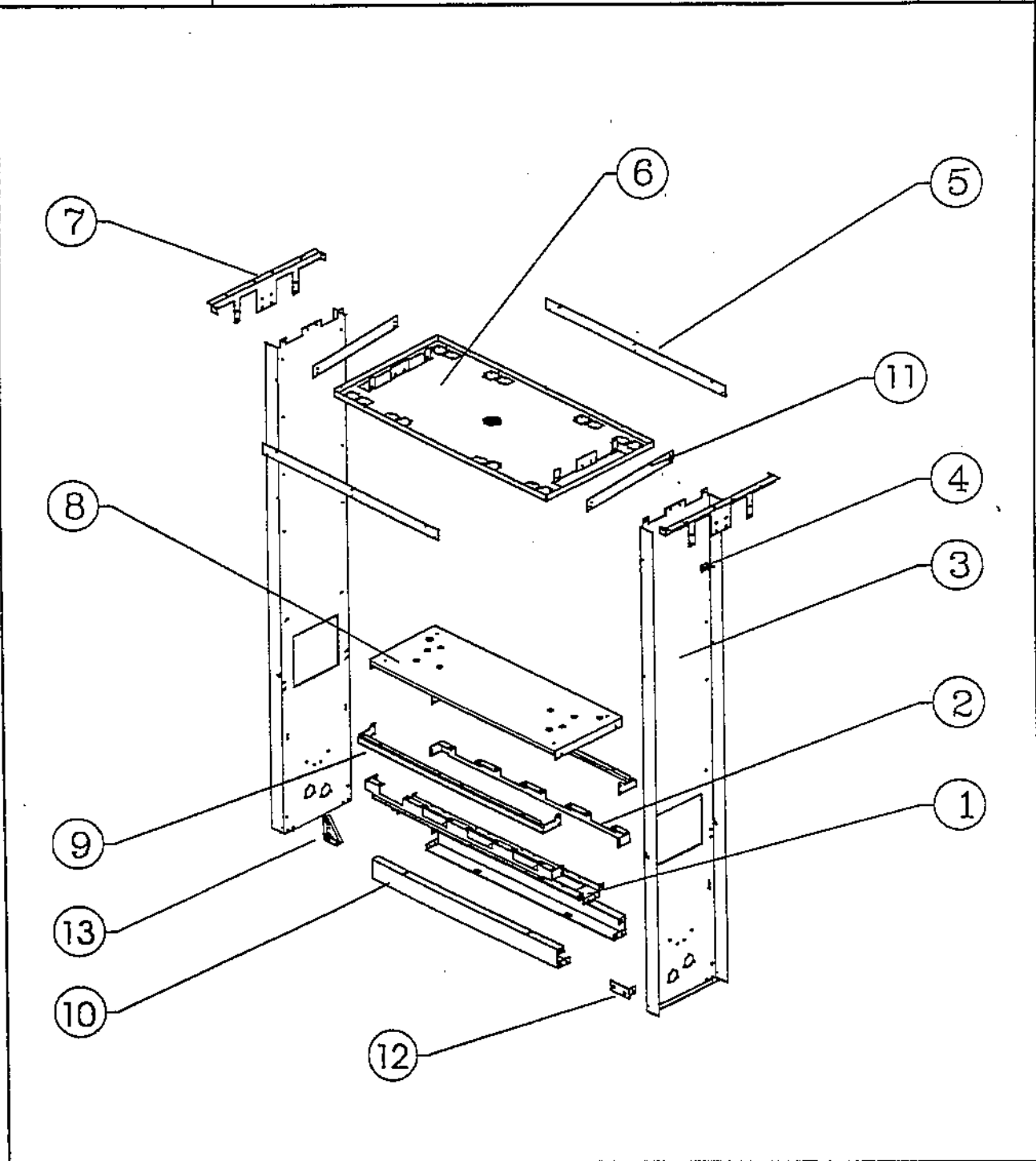
## SECTION 6, SERVICE PARTS

PART / DWG #	DESCRIPTION	REF #
8910417	4100 / 4200 Computer Head Cont.	
8800493	Computer top panel, 1/2 PD	1
8800500	Customer display mounting bracket	2
8800490	Computer top rail, 1/2 PD	3
8800525	Option 3 board mounting bracket	4
8800386	Back Plane support bracket	5
8800343	Intrinsic Barrier bracket	6
8800565	Reflector box support	7
8900532	4100 -2 Computer door	8
8900586	4100-2A Computer door	8
8900533	4100-3 Computer door	8
8900598	4100-3A Computer door	8
8900534	4100-4 Computer door	8
8900587	4100-4A Computer door	8
8900535	4100-5 Computer door	8
8900599	4100-5A Computer door	8
8900465	4100-6 Computer door	8
8900588	4100-6A Computer door	8
8900466	4100-7 Computer door	8
8900600	4100-7A Computer door	8
8900536	4200-2 Computer door	8
8900654	4200-2A Computer door	8
8900537	4200-3 Computer door	8
8900601	4200-3A Computer door	8
8900538	4200-4 Computer door	8
8900653	4200-4A Computer door	8
8900539	4200-5 Computer door	8
8900602	4200-5A Computer door	8
8900471	4200-6 Computer door (For "Right Up" C/R)	8
8900652	4200-6A Computer door (For "Right Up" C/R)	8
8900472	4200-7 Computer door (For "Right Up" C/R)	8
8900603	4200-7A Computer door (For "Right Up" C/R)	8
8800558	Light support bracket with D mount	9
8800545	Total sale reflector box	10
8800503	Lock bracket	11
8800519	Bottom section electronic box 1/2 PD	12
8800413	Light tube support bracket	13
8800509	Power supply & heatsink support bracket	14
8800471	Power supply heatsink bracket	15
8800342	Relay board mounting bracket	16
8800385	Card Cage left side panel	17
8800338	Card Cage side	18
8800337	Card Cage top	19

4000 Dispenser  
Frame Parts

**SECTION 6, SERVICE PARTS**

PART NUMBER	DESCRIPTION	REF #
8200197	4300 / 4400 Frame Assembly	



4000 Dispenser  
Frame Parts

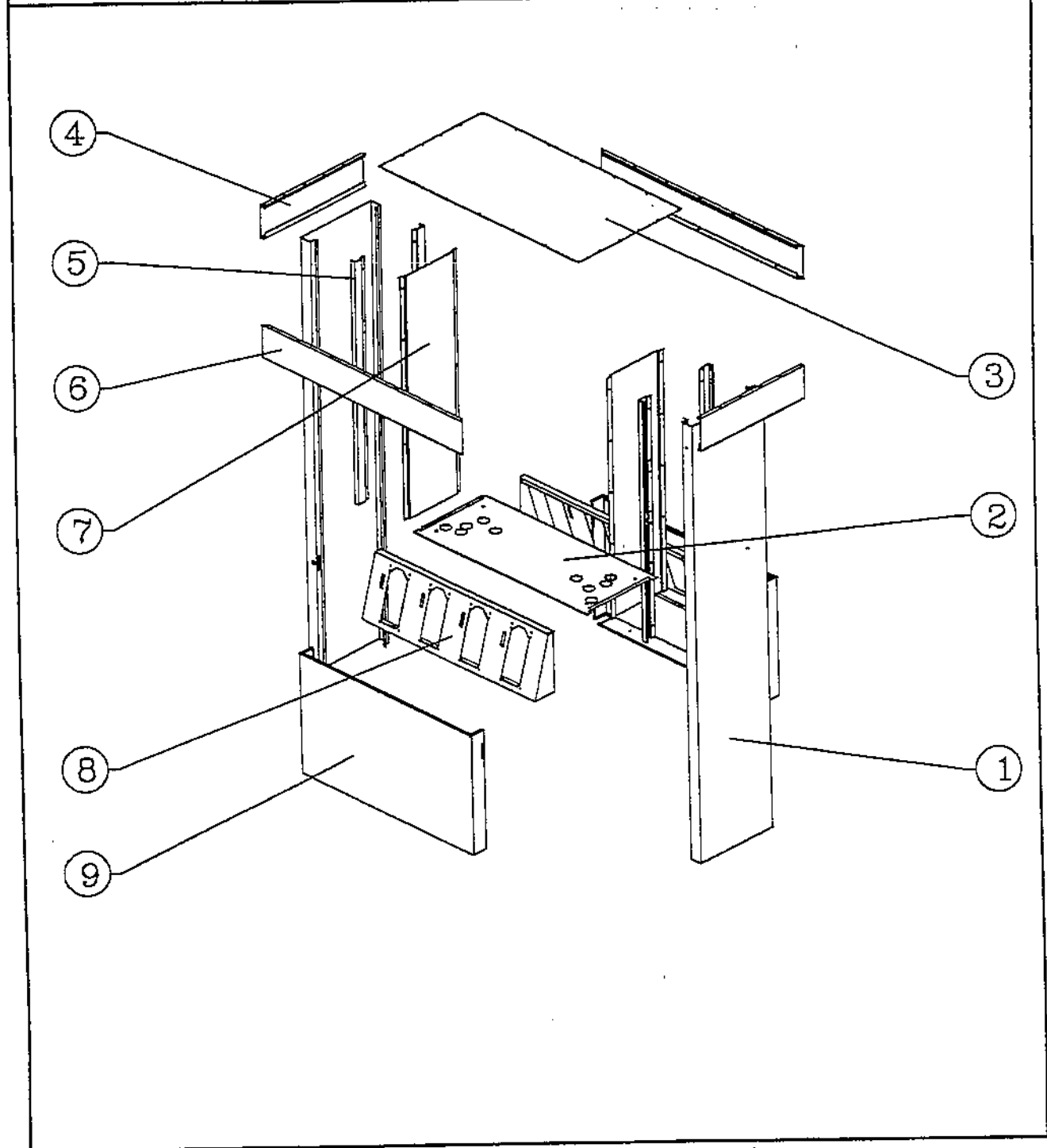
**SECTION 6, SERVICE PARTS**

PART / DWG #	DESCRIPTION	REF #
8200197	4300 / 4400 Frame Assembly Cont.	
8200103 .....	Filter Casting support bracket, 3/4 PD .....	1
8200133 .....	Meter support bracket, 3/4 PD .....	2
8200099 .....	Canopy post .....	3
8200161 .....	Conduit retainer bracket .....	4
8900352 .....	Front canopy panel lower support bracket, 3/4 PD .....	5
8200154 .....	Canopy bracket, 3/4PD .....	6
8200128 .....	End canopy panel support bracket .....	7
8200122 .....	Vapor barrier bracket, 3/4 PD .....	8
8200102 .....	Nozzle well body support bracket, 3/4 PD .....	9
8200101 .....	Base front, 3/4 PD .....	10
8900422 .....	Side canopy panel lower support bracket .....	11
8200172 .....	Junction box bracket .....	12
8900240 .....	Mounting bracket, lighted canopy .....	13

4000 Dispenser  
Frame Parts

**SECTION 6, SERVICE PARTS**

PART NUMBER	DESCRIPTION	REF #
8900423	4300 / 4400 Cabinet Assembly	



4000 Dispenser  
Frame Parts

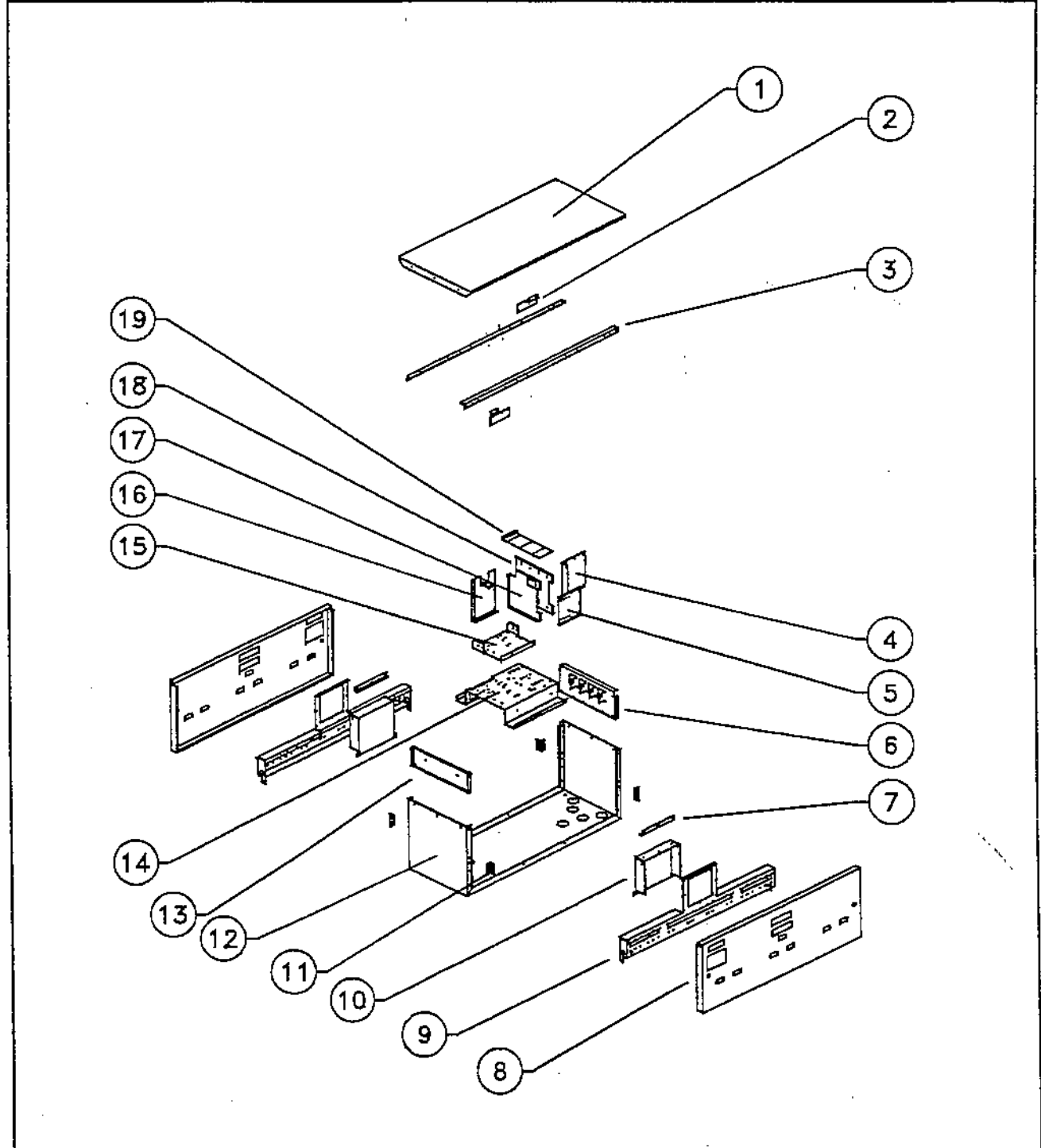
**SECTION 6, SERVICE PARTS**

PART / DWG #	DESCRIPTION	REF #
8900423	4300 / 4400 Cabinet Assembly Cont.	
89002573 .....	Riser cover, Stainless Steel .....	1
8900289 .....	Top panel, 3/4 PD .....	2
8900335 .....	Canopy top cover, 3/4 PD .....	3
8900296 .....	Side canopy panel .....	4
8900315 .....	Riser cover front trim .....	5
8900294 .....	Front canopy panel, 3/4 PD .....	6
8900290 .....	Inside riser cover .....	7
8900408 .....	4300 Nozzle well body .....	8
8900562 .....	4331 Nozzle well body .....	8
8900299 .....	4400 Nozzle well body .....	8
8900293 .....	Lower Door, Cold Roll Steel, 3/4 PD .....	9
8900341 .....	Lower Door, Stainless Steel, 3/4 PD .....	9

4000 Dispenser  
Frame Parts

**SECTION 6, SERVICE PARTS**

PART NUMBER	DESCRIPTION	REF #
8910408	4300 / 4400 Computer Head	



4000 Dispenser  
Frame Parts

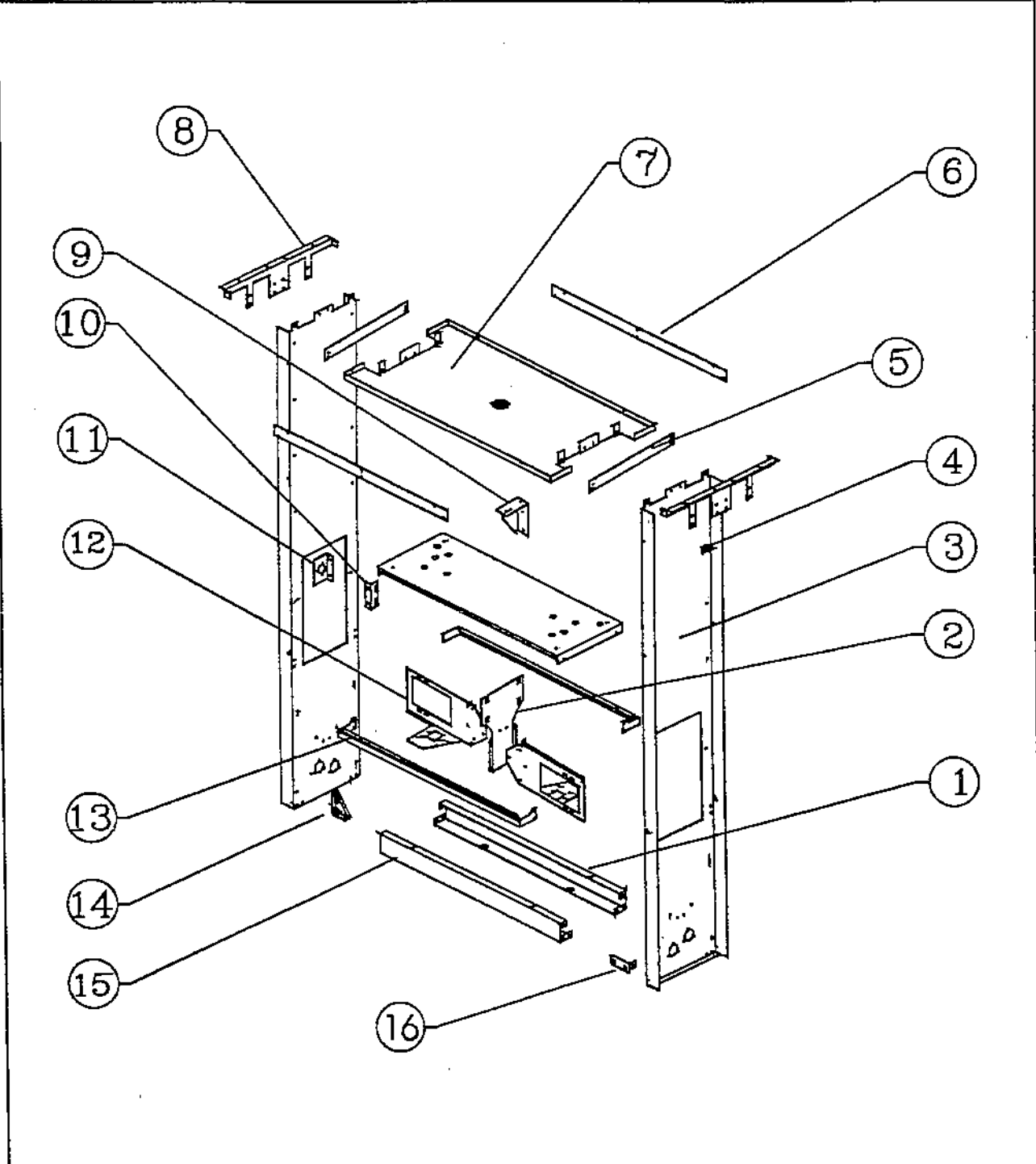
**SECTION 6, SERVICE PARTS**

PART / DWG #	DESCRIPTION	REF #
8910408	4300 / 4400 Computer Head Cont.	
8800477	Computer top panel, 3/4 PD	1
8800500	Customer display mounting bracket	2
8800488	Computer top rail, 3/4 PD	3
8800525	Option 3 board mounting bracket	4
8800386	Back Plane support bracket	5
8800343	Intrinsic Barrier bracket	6
8800565	Reflector box support	7
8900540	4300 -2 Computer door	8
8900651	4300-2A Computer door	8
8900589	4331-2A Computer door	8
8900541	4300-3 Computer door	8
8900604	4300/4331-3A Computer door	8
8900542	4300-4 Computer door	8
8900650	4300-4A Computer door	8
8900590	4331-4A Computer door	8
8900543	4300-5 Computer door	8
8900696	4300-5A Computer door	8
8900605	4331-5A Computer door	8
8900477	4300-6 Computer door (For "Right Up" C/R)	8
8900649	4300-6A Computer door (For "Right Up" C/R)	8
8900591	4331-6A Computer door (For "Right Up" C/R)	8
8900753	4300-6D Computer door (For "Right Up" C/R)	8
8900719	4331-6D Computer door (For "Right Up" C/R)	8
8900478	4300-7 Computer door (For "Right Up" C/R)	8
8900697	4300-7A Computer door (For "Right Up" C/R)	8
8900606	4331-7A Computer door (For "Right Up" C/R)	8
8900754	4300-7D Computer door (For "Right Up" C/R)	8
8900720	4331-7D Computer door (For "Right Up" C/R)	8
8900544	4400-2 Computer door	8
8900648	4400-2A Computer door	8
8900545	4400-3 Computer door	8
8900607	4400-3A Computer door	8
8900546	4400-4 Computer door	8
8900647	4400-4A Computer door	8
8900547	4400-5 Computer door	8
8900694	4400-5A Computer door	8
8900483	4400-6 Computer door (For "Right Up" C/R)	8
8900646	4400-6A Computer door (For "Right Up" C/R)	8
8900484	4400-7 Computer door (For "Right Up" C/R)	8
8900695	4400-7A Computer door (For "Right Up" C/R)	8
8800532	Light support bracket with D mount	9
8800545	Total sale reflector box	10
8800503	Lock bracket	11
8800520	Bottom section electronic box, 3/4 PD	12
8800413	Light tube support bracket	13
8800509	Power supply & heatsink support bracket	14
8800471	Power supply heatsink bracket	15
8800342	Relay board mounting bracket	16
8800385	Card Cage left side panel	17
8800338	Card Cage side	18
8800337	Card Cage top	19

4000 Dispenser  
Frame Parts

**SECTION 6, SERVICE PARTS**

PART NUMBER	DESCRIPTION	REF #
8200254	4000 Truck Stop Frame Assembly	



4000 Dispenser  
Frame Parts

**SECTION 6, SERVICE PARTS**

PART / DWG #	DESCRIPTION	REF #
8200254	4000 Truck Stop Frame Assembly Cont.	
8200174 .....	Base front, 1/2 PD .....	1
8200201 .....	Meter support bracket, TS .....	2
8200200 .....	Side Channel, TS .....	3
8200161 .....	Conduit retainer bracket.....	4
8900422 .....	Side canopy panel support bracket.....	5
8900460 .....	Front canopy panel support bracket, 1/2 PD .....	6
8200235 .....	Canopy support bracket, TS .....	7
8200128 .....	End canopy panel support bracket .....	8
8200230 .....	Retractor Bracket, TS .....	9
8200233 .....	Outlet Adjustment Bracket, TS.....	10
8200225 .....	Outlet Bracket, TS.....	11
8200208 .....	Hydraulic Support Bracket, TS.....	12
8200175 .....	Nozzle well support bracket .....	13
8900240 .....	Mounting bracket, lighted canopy .....	14
8200174 .....	Base Front, 1/2 PD .....	15
8200172 .....	Junction box bracket .....	16
8200183 .....	Vapor barrier bracket, 1/2 PD .....	17

4000 Dispenser  
Frame Parts

**SECTION 6, SERVICE PARTS**

PART NUMBER	DESCRIPTION	REF #
8900632	4000 Truck Stop Cabinet Assembly	

