

4 – Transac System 1000

Model Number Breakdown

Transac System 1000 Console

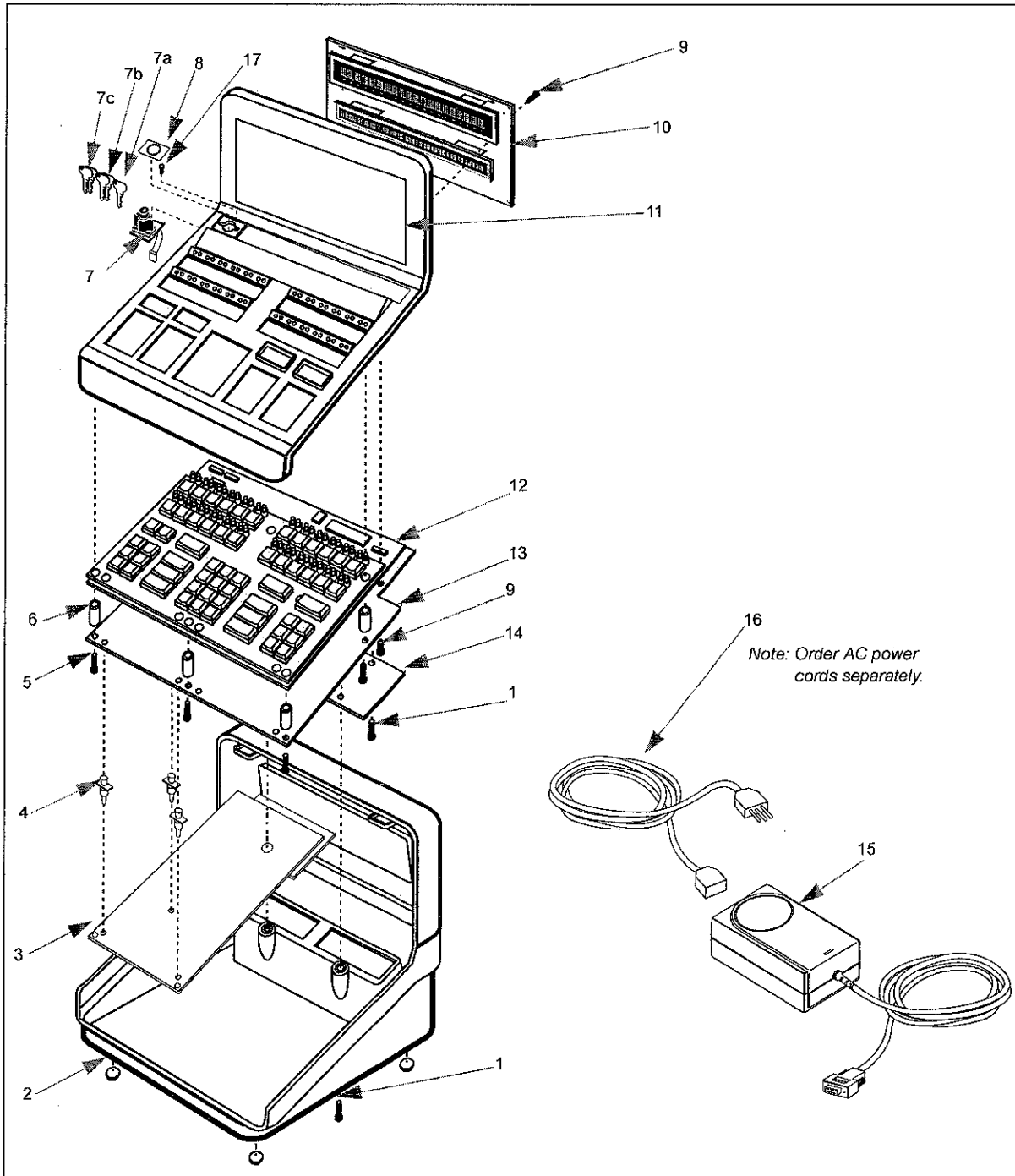
Note: The Transac System 1000 Console is no longer being manufactured.

Model Number PA0240XXXXXX							
Model Number Prefix	Graphics	Card Reader	Keylock	Keyboard	Board Set	Housing	Software
PA0240	0 - USA/Canada 1 - No filter window (EC countries and export) 2 - EC countries with English graphics	0 - Without	0 - Standard	0 - 24 Position 1 - 36 Position	0 - Standard	0 - 24 Position 1 - 36 Position	0 - Standard

Transac System Controller and PAM 1000 or PAM 1500

Model Number PA0241XXX000X					
Model Number Prefix	Voltage	Graphics	Board Set	Not Used	Software
PA0241	0 - 115 VAC 1 - 230 VAC 2 - 90-260 VAC	0 - USA/Canada	0 - Transac System 1000 1 - PAM 1000 2 - Europe Transac System 1000 PAM 1500	000	0 - Transac System 1000 1 - PAM 1000 3 - PAM 1500 (Europe) 4 - Europe Transac System 1000 5 - Enhanced PAM 1000 6 - Canada

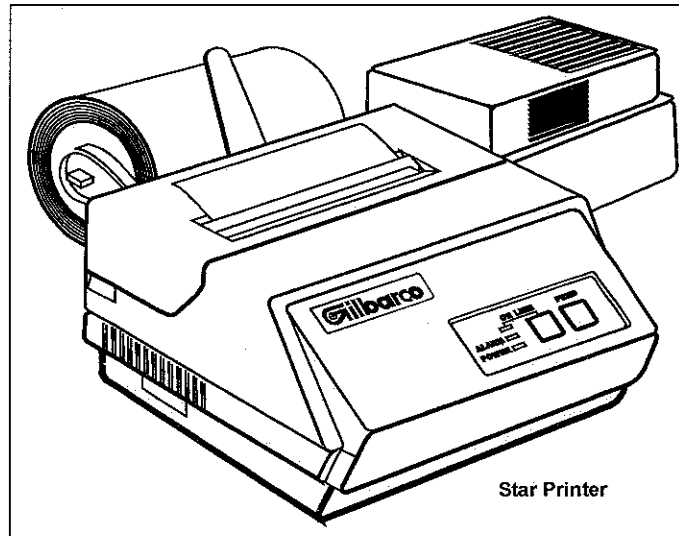
Transac System 1000 Console



Item	Description	Current Part	Previous Part	Quantity
1	Screw, #6-32 X 3/8 inches	Q12083-13	-	5
2	Rubber Bumper (Black)	Q12226-01	-	4
3	Logic Board Assembly (includes Connector Mounting Plate)	T17177-G1	-	1
	Console Software (not shown)	K93354-01S	-	1
4	Board Support	Q10651-02	-	3
5	Screw, #6-19 X 1.0 inches	Q12011-20	-	6
6	Spacer	Q10340-98	-	6
7	Keylock Assembly	R19523-G1	-	1
7a	Manager Key (set of two)	Q12683-04	-	1
7b	Operator Key (set of two)	Q12683-03	-	1
7c	Service Key (set of two)	Q12683-02	-	1
8	Keylock Label	R18825-01	-	1
9	Screw, #6-19 X 0.38 inches (Thread Forming)	Q12011-13	-	6
10	Display Board Assembly	Q13490-03S Q13490-03	T16951-G1	1
11	Filter Window	T17163-01	-	1
12	Keyboard Assembly			
	• 24 position	T17138-01	-	1
12a	• 36 position	T17138-04	-	1
	Keytops (complete set for 24 position) (not shown)	T17138-02	-	1
13	Logic Board Shield	T17332-G1	-	1
14	Console Expansion Plate	R18826-01	-	1
15	Power Supply Assembly, Universal Input (115/230 VAC) - without Power Cord	Q12956-02	Q12956-01, Q12208-01, Q12208-02	1
16	AC Line Cords (for Q12956-02)			
	• 115 VAC US/Canada	Q11121-01	-	-
	• 115 VAC US/Canada	Q11121-02	-	-
	• 230 VAC International	Q11736-02	-	-
	• 230 VAC International	Q11736-03	-	-
	• 230 VAC European	Q11121-03	-	-
	• 230 VAC European	Q11121-05	-	-
17	Screw, #4-24 X 0.38 inches	Q12011-01	-	2
Internal Cable Assemblies (not shown)				
-	Display Cable Assembly (J106, J301)	R18814-G1	-	1
-	Keyboard Cable Assembly (J108, J201)	R18813-G1	-	1
External Cable Assemblies (not shown)				
-	Console to PA0313 Receipt Printer Gender Mender	Q13180-31B	-	-

Item	Description	Current Part	Previous Part	Quantity
-	Console to PA0254/PA0245 Receipt Printer Cable			
	• 6 feet	Q11542-42	-	-
-	Console to PA0253 Receipt Printer			
	• 6 feet	Q12380-15	-	-
	• 10 feet	Q12380-16	-	-
	• 25 feet	Q12380-17	-	-
-	Dual Console Splitter Cable	Q11542-55	-	-
-	Two-wire Cable			
	• 10 feet	Q11542-52	-	-
	• 50 feet	Q11542-53	-	-
	• 100 feet	Q11542-54	-	-
	• Splitter Cable	Q11542-55	-	-
	• Turnaround Plug	Q11542-56	-	-
-	Kit, Pigtail Cables	K93391-01	-	-
-	Pigtail Plug (used at Controller)	R19000-01	-	-
-	Pigtail Receptacle (used at Console and Distribution Box)	R19000-02	-	-
-	Controller to PC			
	• 25 feet	Q11542-44	-	-
	• 50 feet	Q11542-45	-	-
-	Controller to Modem			
	• 10 feet	Q11542-46	-	-
	• 25 feet	Q11542-47	-	-
-	Controller to Tank Monitor			
	• 10 feet	Q11542-48	-	-
	• 25 feet	Q11542-49	-	-
	• 50 feet	Q11542-57	-	-
-	Controller to Price Sign			
	• 10 feet	Q11542-50	-	-
	• 25 feet	Q11542-51	-	-
	• 50 feet	Q11542-58	-	-
-	PAM 1000 RS-232 Interface Cable, 30 feet	Q11542-68	-	-
-	Two-wire Cable to Older Consoles (PAM, D-15)	R18879-01	-	-

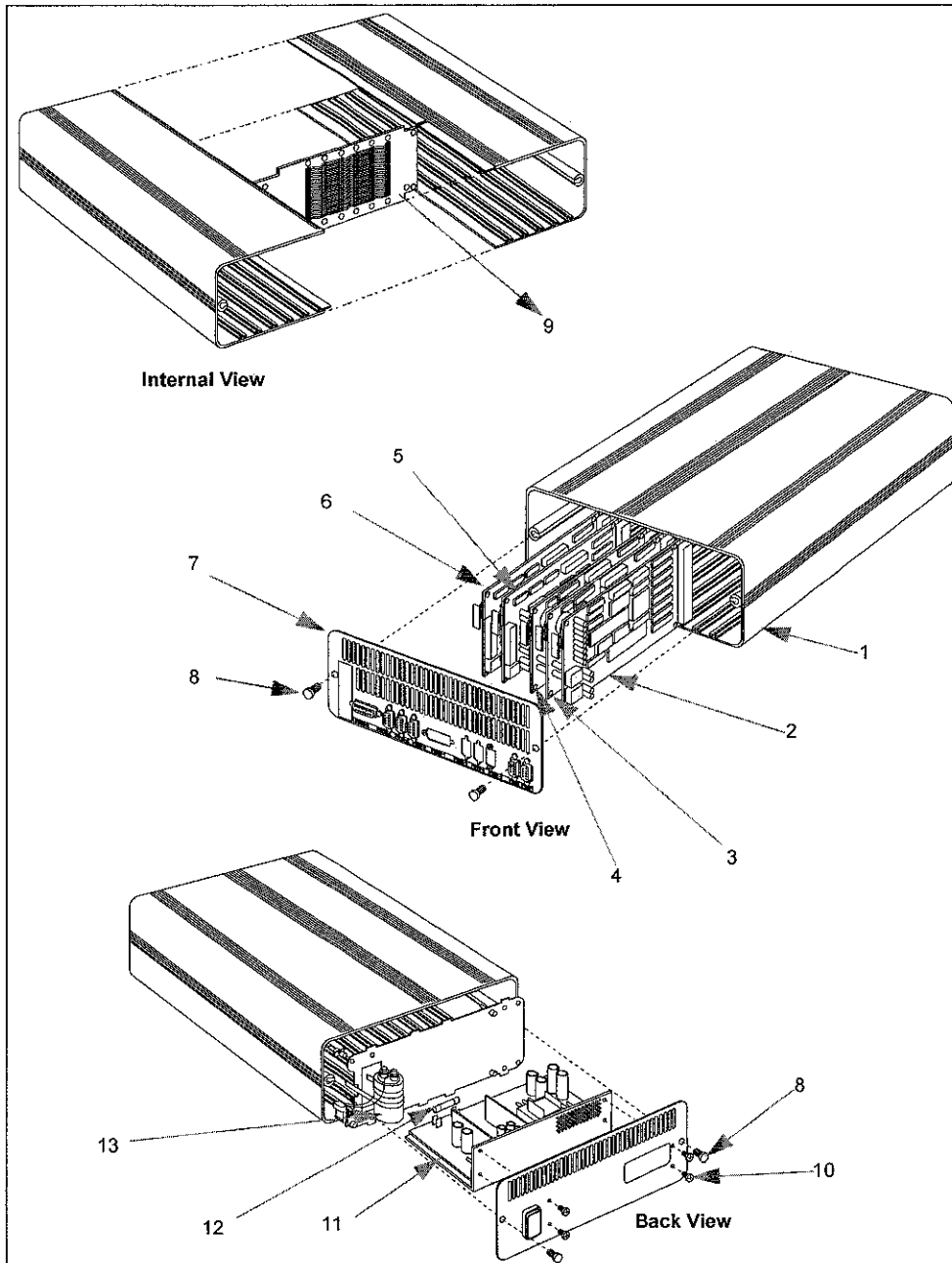
Star Printers



Item	Description	Current Part	Previous Part	Where Used
1	Star Receipt Printer (Complete Assembly with Power Supply)	PA02530002000	-	C
2	Star Receipt Printer (Printer only)	Q12380-09	-	C
3	Supplies			
	• Star Printer Power Supply (120 VAC)	Q12380-06	-	C
	• Star Printer Paper Holder (Left)	Q12380-07	-	C
	• Star Printer Paper Holder (Right)	Q12380-08	-	C
	• Star Printer Ribbon (Black/Red, Single)	Q12380-02	-	C
	• Cable, Printer to Console, 6 feet	Q12380-15	-	C
	• Cable, Printer to Console, 10 feet	Q12380-16	-	C
	• Cable, Printer to Console, 25 feet	Q12380-17	-	C

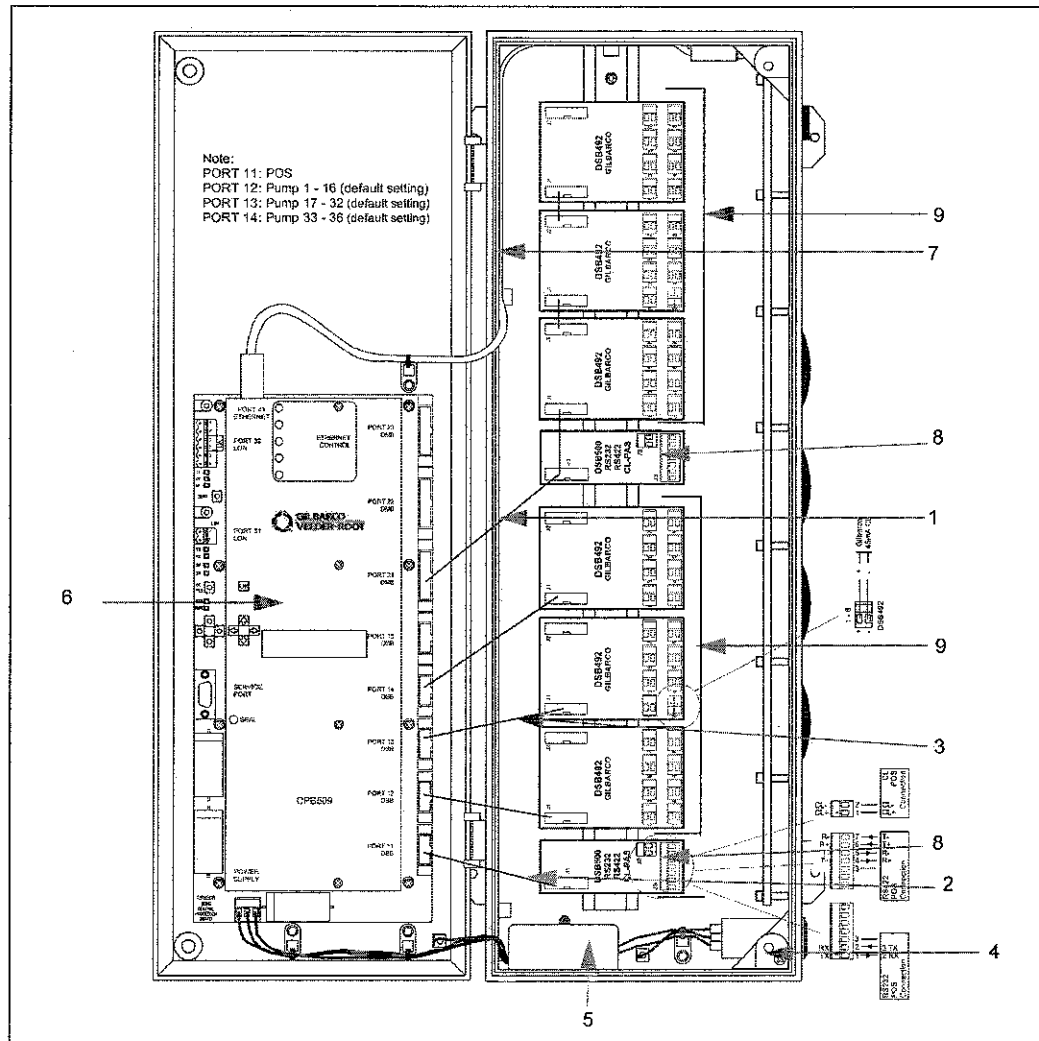
Where Used key:
 A=G-SITE
 B=Passport
 C=TS-1000

PAM 1000 Controller or Transac System 1000 Controller



Item	Description	Current Part	Previous Part	Quantity
1	Complete Controller, PAM 1000 or Transac System 1000	See Breakdown	-	1
2	CPU Board Assembly	T16937-G1	-	1
3	Memory Board Assembly	T17122-G1	-	2
	Software Kit for Memory Board #1 (Transac System 1000)	K93355-01S	-	1
4	Memory Board #2 Kit (includes Board and V21.X Software)	K93369-02	-	1
	V21.X Software Kit for Memory Board #2 (Transac System 1000)	K93355-02S	-	1
	V31.X Software Kit for PAM 1000	K93674-01S	-	1
	V32.X Enhanced PAM 1000 Software Kit	K93674-02	-	-
5	I/O Board Assembly	T16957-G1	-	-
6	OCIA I/O Board, Optional	-	-	1
7	Connector Plate	T19768-G1	T17175-01	1
8	Screw #8-32 X 3/8-inches	K85736-06	-	4
9	Backplane Board Assembly	T16963-G1	-	1
10	Screw M3 X 10 (Machine Head)	Q12845-36	Q11709-35	4
11	Power Supply	Q12207-02	Q12207-01	1
12	Fuse 2.5 A Slo-blo	Q10131-21	-	1
13	Power Fail Capacitor	Q10271-33	-	1
Transac System 1000 or PAM 1000 Controller Internal Cable Assemblies (not shown)				
-	Cable Assembly (J501, J503) Power Supply	R18828-G1	-	1
-	Cable Assembly (J502) to Power Fail Capacitor	R18829-G1	-	1
-	Cable Assembly, RS-232 (P403 to P908, P909, P910)	R18803-G1	-	1
-	Cable Assembly (J103, J907)	R18802-G2	R18802-G1	3
-	Cable Assembly (J102, J906)	R18801-G2	R18801-G1	1

PAM 5000 Controller



Item	Description	Current Part	Quantity
1	PAM CRIND Cross Ribbon Cable	M08037B005	Opt
2	DSB Cable Mini, 7 cm, DSB No. 23	M08037B006	Opt
3	DSB Cable Medium, 20 cm, DSB No. 34	M08037B007	Opt
4	Mains Filter without Fuse Holder	M08037B008	1
5	Power Supply Transformer, 120/24 V, 36 VA, Toroid	M08037B009	1
6	Central Processor Board (CPB509)	M08037B010	1
7	Internal Ethernet Cable, 65 cm (CBL311 type 001)	M08037B011	1
8	RS-232/RS-422 Interface Module (DSB500)	M08037B002S	1
9	Current Loop Interface Module, 8 Connections (DSB492)	M08037B001S	1
Not Shown			
-	Power Cord, Grounded US Plug NEMA 5-15, IEC320, 2 m Black	Q11121-02	1
-	Power Cord, without Plug for Wall End, IEC320, 1.5 m Black PVC	Q11736-03	Opt
-	Fuse, Slo-blo, 5 X 20 mm, 1 A, IEC127-2/3	M08037B003	1
-	Fuse Holder for Insertion in Mains Inlet	M08037B004	1
-	Ethernet Connection Board (DCB460)	M08037B012	1