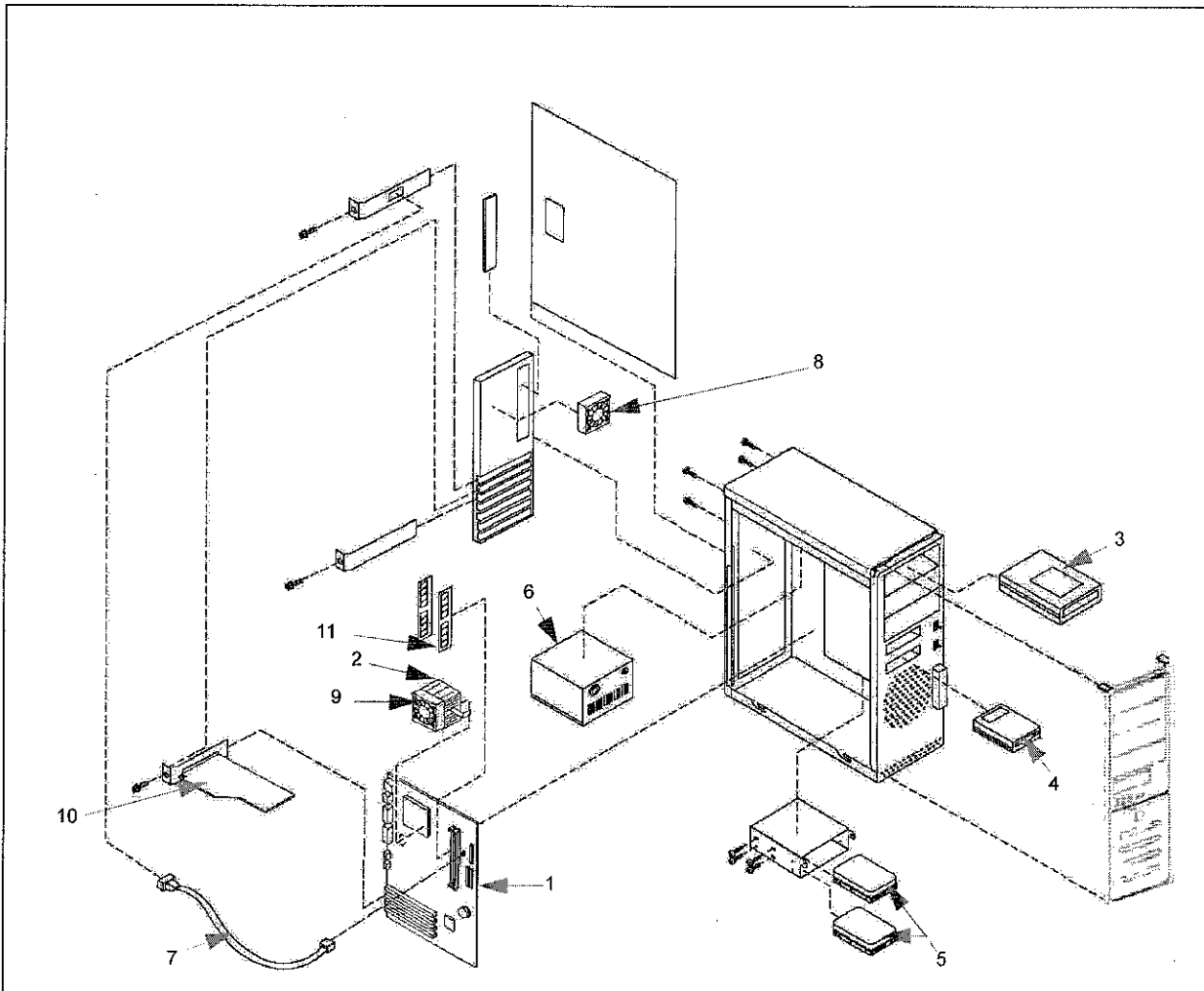


2 – Passport System Products

Model Number Breakdown

Model Number	Model	Voltage	Configuration	Motherboard/ Processor/Speed	Memory
PA0324PC52	Client	120 VAC, 50/60 Hz	Cashier Workstation	PC52 Mthbrd P4 2.6 GHz Min	256 MB
PA0324PC52A			Cashier Workstation with Preassembled Cables, 256 MB DRAM		
PA0324PC52B	Client	120 VAC, 50/60 Hz	Precabled Cashier Workstation with 512 MB DRAM	PC52 Mthbrd P4 2.6 GHz Min	512 MB
PA0324PS52	Server	120 VAC, 50/60 Hz	Standalone Manager or Combined Cashier/ Manager Workstation	PC52 Mthbrd P4 2.6 GHz Min	1 GB
PA0324PS52A			Standalone Manager Workstation with Preassembled Cables		
PA0324PB52A	Server	120 VAC, 50/60 Hz	Combined Cashier/ Manager Workstation with Preassembled Cables	PC52 Mthbrd P4 2.6 GHz Min	1 GB
PA0324PC51	Client	120 VAC, 50/60 Hz	Cashier Workstation	PC51 Mthbrd P4 1.8 GHz Min	256 MB
PA0324PS51	Server	120 VAC, 50/60 Hz	Standalone Manager or Combined Cashier/ Manager Workstation	PS51 Mthbrd P4 1.8 GHz Min	512 MB
PA0324PC50	Client	120 VAC, 50/60 Hz	Cashier Workstation	PC50 Mthbrd PIII, 1 GHz	256 MB
PA0324PS50	Server	120 VAC, 50/60 Hz	Standalone Manager or Combined Cashier/ Manager Workstation	PS50 Mthbrd PIII, 1 GHz	512 MB
PA0324PC52D	Client	120 VAC, 50/60 Hz	Precabled Cashier Workstation without Floppy Drive	PC52 Mthbrd P4 2.6 G Min	512 MB
PA0324PC52E	Client	120 VAC, 50/60 Hz	Precabled Cashier Workstation without Floppy Drive	PC52 Mthbrd P4 2.6 G Min	1 GB
PA0324PS52D	Server	120 VAC, 50/60 Hz	Precabled Standalone Manager Workstation without Floppy Drive	PC52 Mthbrd P4 2.6 G Min	1 GB
PA0324PB52D	Server	120 VAC, 50/60 Hz	Precabled Combined Cashier/Manager Workstation without Floppy Drive	PC52 Mthbrd P4 2.6 G Min	1 GB

PX51 and PX52 Client and Server



PX51 List of Parts

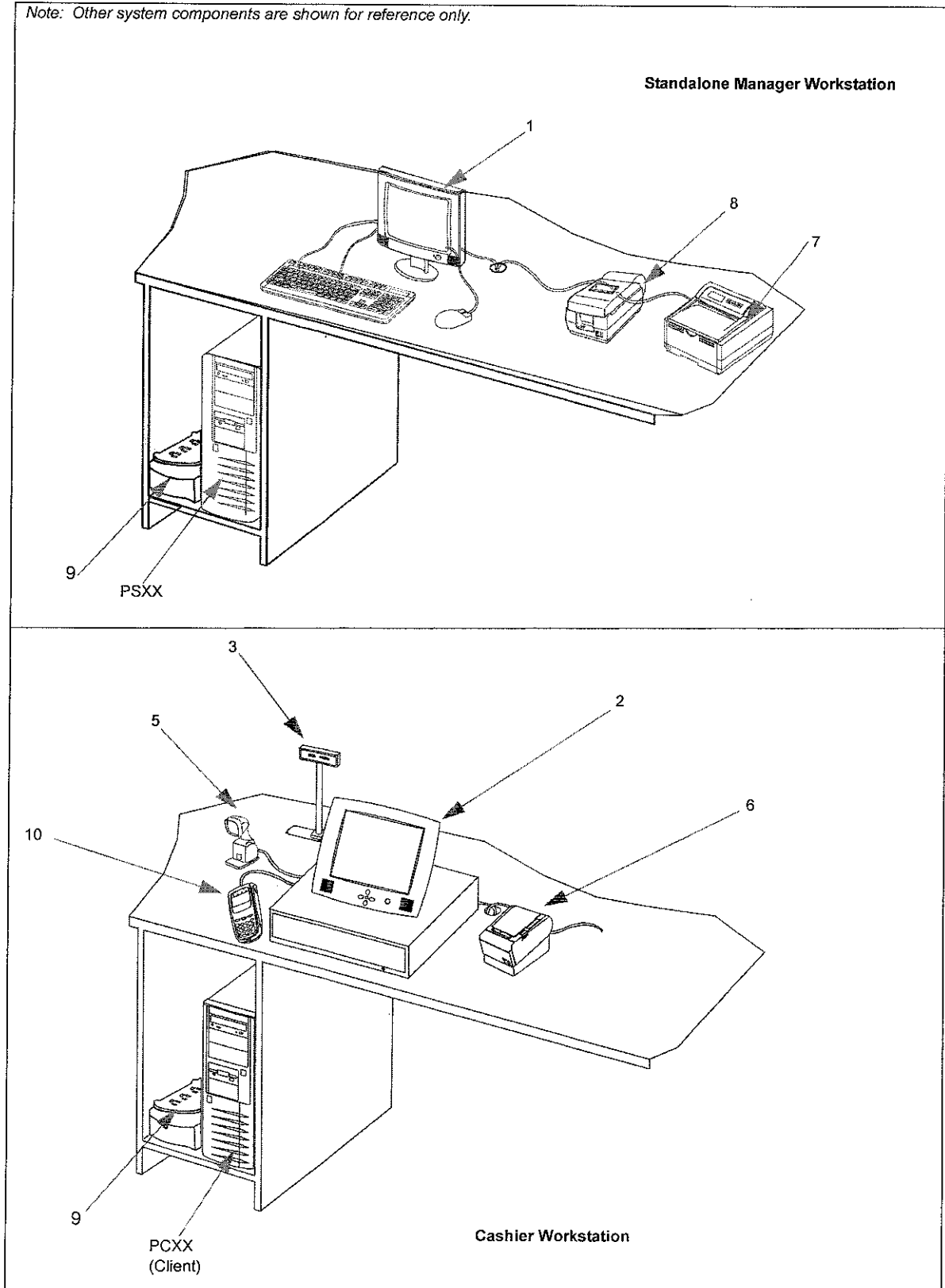
Item	Description	PX51 Current Part	Quantity	
			PC51	PS51
1	Main Board	M02870K003KS	1	1
2	Processor	M02870B004BS	1	1
3a	CD-ROM Drive	M02870B007S	1	1
3b	CD-RW Drive	M02870B022S	0	1
4	Floppy Drive*	M02870B015S	1	1
5	Hard Drive (40 GB Min, 7200 RPM HD)	Q13086-161X	1	2
6	Power Supply 300 W	M02870B008S	1	1
7	COM 2 Cable	M02870B006S	1	1
8	Fan (Chassis)	M02870B010S	1	1
9	Fan (Processor)	M02870B020S	1	1
10a	Internal Modem V.90 (56 K) PCI-based Version 3	M02870B005S	0	1
10b	Internal Modem V.92 (56 K) PCI-based Version 4	M02870B005BS	0	1
11	Memory (256 MB DIMM, non-ECC, 133 MHz)	M02870B002S	1	2
Not Shown				
-	AC Power Cord	Q11121-01	1	1
-	Bootable Recovery CD (Specify if for Client or Server)	KS7X51-XXXC	1	0
-	CD-ROM Audio Cable	M02870B009S	1	1
-	CD-ROM IDE Cable	Q13086-128	1	1
-	Fastener Kit for PX50 Chassis	M02870B011S	1	1
-	Floppy Drive Cable	M02870B016S	1	1
-	Hard Drive IDE Cable	M02870B012S	1	1
-	Keyboard	Q13181-05	1	1
-	Memory Upgrade Kit (2 - 512 DIMM)	M02870K028	0	1
-	Mother Board to PCI Slot USB Cable	Q13240-16	0	1
-	Mouse	Q13724-02	1	1
* Not included in all the models.				

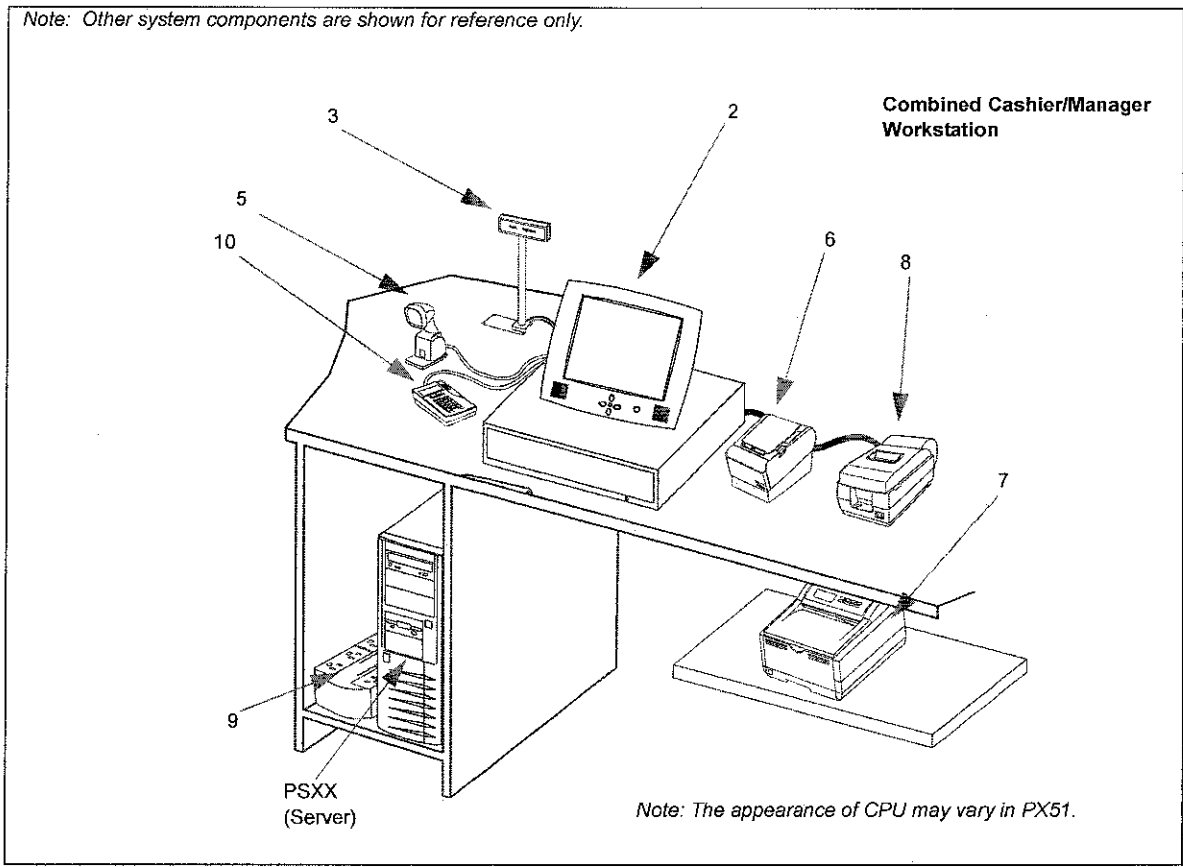
PX52 List of Parts

Item	Description	PX52 Current Part	Quantity	
			PC52	PS52
1	Main Board	M02870B023S	1	1
2	Processor	M02870B004BS	1	1
3a	CD-ROM Drive	M02870B007S	1	1
3b	CD-RW Drive	M02870B022S	0	1
4	Floppy Drive*	M02870B015S	1	1
5	Hard Drive (40 GB Min, 7200 RPM HD)	Q13086-161X	1	2
6	Power Supply 300 W	M02870B008S	1	1
7	COM 2 Cable	M02870B006S	1	1
8	Fan (Chassis)	M02870B010S	1	1
9	Fan (Processor)	M02870B020S	1	1
10a	Internal Modem V.90 (56 K) PCI-based Version 3	M02870B005S	0	1
10b	Internal Modem V.92 (56 K) PCI-based Version 4	M02870B005BS	0	1
11	Memory (512 MB DIMM, non-ECC, 133 MHz)	M02870B026S	1	2
Not Shown				
-	AC Power cord	Q11121-01	1	1
-	Bootable Recovery CD (Specify if for Client or Server)	KS7X52-XXXCD	1	0
-	CD-ROM Audio Cable	M02870B009S	1	1
-	CD-ROM IDE Cable	Q13086-128	1	1
-	Fastener Kit for PX50 Chassis	M02870B011S	1	1
-	Floppy Drive Cable	M02870B016S	1	1
-	Hard Drive IDE Cable	M02870B012S	1	1
-	Keyboard	Q13181-05	1	1
-	Mother Board to PCI Slot USB Cable	Q13240-16	0	1
-	Mouse	Q13724-02	1	1
-	PX52 Driver and Activation Utility CD	S317-10011	0	1
* Not included in all the models.				

Passport System Peripherals

Note: Other system components are shown for reference only.



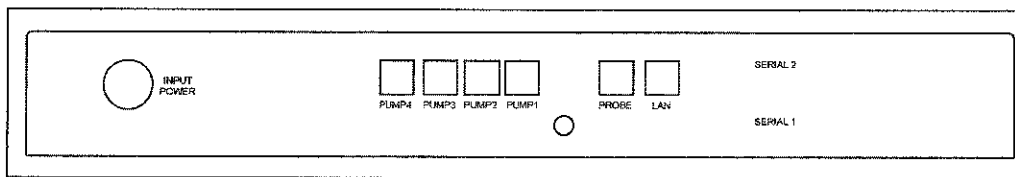


Item	Description	Current Part
Monitors and Customer Displays		
1	Manager Monitor, 15-inch LCD	PA03390204
	Power Supply	Q13178-08
2	Touchscreen Monitor, 15-inch LCD Touch	PA03440005
	Power Supply	Q13178-08
3	Customer Display Assembly, IEE	PA03270103A
	Power Supply	Q13648-01
Cash Drawers		
4	Cash Drawer (includes 5 feet Cable)	PA01570074
	Cash Drawer Cable (Passport Drawer 1)	Q13174-04
	Cash Drawer Cable (Passport Drawer 2)	Q13174-05
	Cash Drawer Mounting Brackets (2)	Q13174-06
	Cash Drawer Soleniod Kit	Q13174-14
	Canadian Till	Q13174-13
Modems		
-	Modem (Dial) (not shown)	PA02960009

Item	Description	Current Part
Barcode Scanners		
5a	Fusion Scanner	PA02710403
5b	Orbit Scanner	PA02710303
Printers		
6	Epson® TM-T88 Receipt Printer (refer to "VeriFone Printers" on page 52 for more details)	PA03750013
7	Okidata LED Printer, B4600 (refer to "Okidata Printers" on page 23 for more details)	PA03400017
8	Epson TM-U2X0A Receipt/Journal Printer (refer to "VeriFone Printers" on page 52 for more details)	PA03682013
Other Equipment		
9	Uninterruptable Power Supply (UPS)	PA03310002 PA03310003
10a	PIN Pad 3070 without Contactless Support	PA0379001XXXX
-	PIN Pad 3070 Power Supply	M08212B003
-	RS-232 Cable with Power	M08212B004
10b	PIN Pad 6550 without Contactless Support	PA0380001XXXX
-	PIN Pad 6550 Power Supply	M08213B003
-	RS-232 Cable with Power	M08213B004
-	Everest® RFID Sled	PA0335222EMV1
-	Distribution box (not shown) (refer to "Distribution Boxes" on page 67 for more details)	PA03060020
-	Gilbarco Security Module (GSM) (not shown) (refer to <i>Other Equipment</i> in "G-SITE System Peripherals" on page 46 for more details)	PA0258XXXXXXX
-	Hub, 8-port LAN	Q13708-01A
-	Router, 8-port LAN	Q13708-05B
-	VPN Router, 4-port LAN	Q13708-07A
-	USB/RS-232 Converter - 8-port	M01700B103S
-	USB/RS-232 Converter - 16-port	PA03490001
-	Fuse 1.5 A, 125 V (Dispenser Hub)	Q13173-207
-	Fuse 5.0 A, 125 V (Dispenser Hub)	Q13173-113
External Cables and Gender Menders (not shown)		
-	Modem Cable, 25-pin to 9-pin, 10 feet	Q13240-09
-	Data Cable, Category 5	
-	3 feet	Q13850-03
-	6 feet	Q13850-06
-	10 feet	Q13850-10
-	15 feet	Q13850-15
-	25 feet	Q13850-25
-	50 feet	Q13850-50
-	100 feet	Q13850-100
-	150 feet	Q13850-150
-	200 feet	Q13850-200
-	250 feet	Q13850-250
-	6-foot Crossover Cable for Router Q13708-05B	Q13850-C06

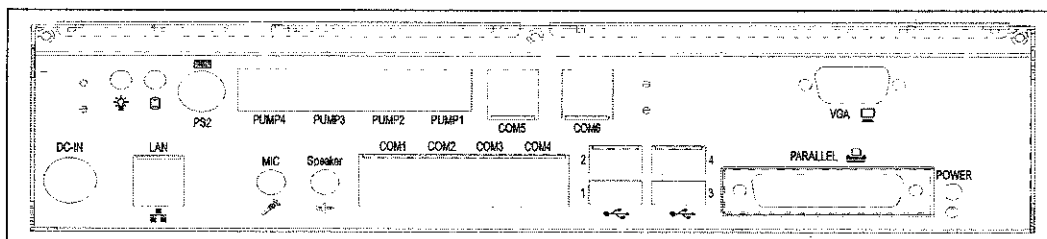
Item	Description	Current Part
-	Ryko® Code A Wash 4 and Unitec® Gender Mender	Q13180-17BS
-	Ryko Code A Wash 3 Gender Mender	Q13180-16BS
-	Parallel Printer Cable	Q13240-01
-	6-foot VGA Extension Cable	Q13240-02B
-	12-foot Audio Cable for Touch Monitor	Q13240-10
-	6-foot Serial Cable (Touchscreen, Scanner, Customer Display)	Q13240-11B
-	PS/2 Extension Cable for Mouse or Keyboard	Q13240-08B
-	10-foot Epson Printer Cable (Thermal Printer and Network Journal)	Q13869-04
-	TCR-15/C-2/T-15 Replacement Cable Kit	Q13241-118

Passport Dispenser Hub (PA03330000)



Note: There are no spare parts for the PA03330000 Dispenser Hub.

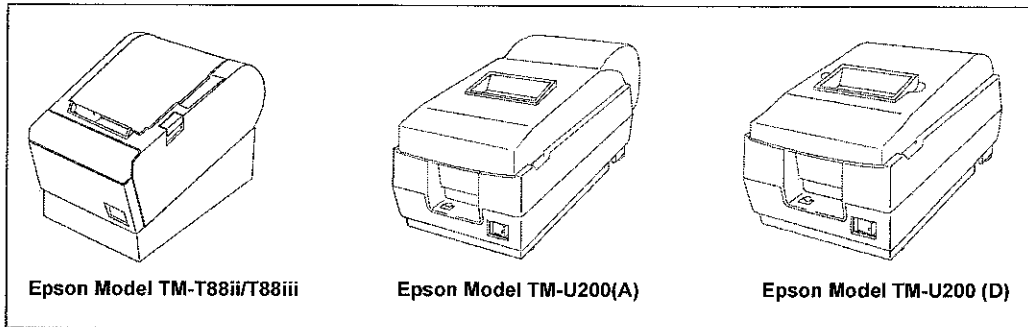
Passport Enhanced Dispenser Hub (PA0403000X)



Description	Current Part Number
Motherboard	M09747B001
Serial I/O Strip Board	M09747B002
Compact Flash Board	M09747B003
Processor, Celeron, 1.86 G	M09747B004

Description	Current Part Number
DRAM, 1 G, DDR2-533 MHz	M09747B005
DRAM, 2 G, DDR2-533 MHz	M09747B005A
Hard Drive, 2.5 inches, SATA, 80 G (Prior to V8.02)	KS702A0012D
Hard Drive, 2.5 inches, SATA, 80 G (V8.02)	KS702-0022D
FAN 60 mm X 60 mm X 13 mm	M09747B007
Power Supply (w/o Cord)	M09747B008
Power Cord	M09747B009
Cable Assembly, Serial, RJ-45 to DB-9 250 mm	M09747B010
iButton Kit	M09477K001
iButton Y-Cable	M09747B011
iButton	M09747B012
iButton Adapter	M09747B013
Compact FLASH, 8 G	M09747B014B
EPS Gender Mender	Q13180-63B

Epson Printers



Description	Current Part	Previous Part	Where Used
TM-T88 Receipt Printer <i>Note: Refer to MDE-3816 Passport Start-up and Service Manual to configure the printer.</i>	PA03750003	PA03530003 PA0343XXXX	A, B
TM-T88 Receipt Printer	PA03750013	PA03530013	B
Supplies (TM-T88iii)			
• Cable G-SITE	Q13850-10	Q13482-10	A
• Cable Passport	Q13869-04	-	B
• Gender Mender	Q13180-50B	Q13180-47	A
• Paper	Q13541-01	-	A, B
• Power Supply	Q13869-03	Q13869-01	A, B
TM-U200(D) Receipt Printer	-	PA03521003	A
TM-U220(A) Receipt/Journal Printer <i>Note: Refer to MDE-3816 Passport Start-up and Service Manual to configure the printer.</i>	PA03682003	PA03522003	A, B
TM-U220(A) Receipt/Journal Printer	PA03682013	PA0346XXXX	B
Supplies (TM-U200 A, D and TM-U220)			
• Cable G-SITE	Q13850-10	Q13482-10	A
• Cable Passport	Q13869-04	-	B
• Gender Mender	Q13180-50B	Q13180-47	A
• Paper			A, B
• Single Ply	Q12654-03		
• Double Ply	Q12654-04		
• Single Ply for use with Take Up Reel	Q13884-02		
• Power Supply	Q13869-03	Q13869-01	A, B
• Ribbon	Q13884-01	-	A, B

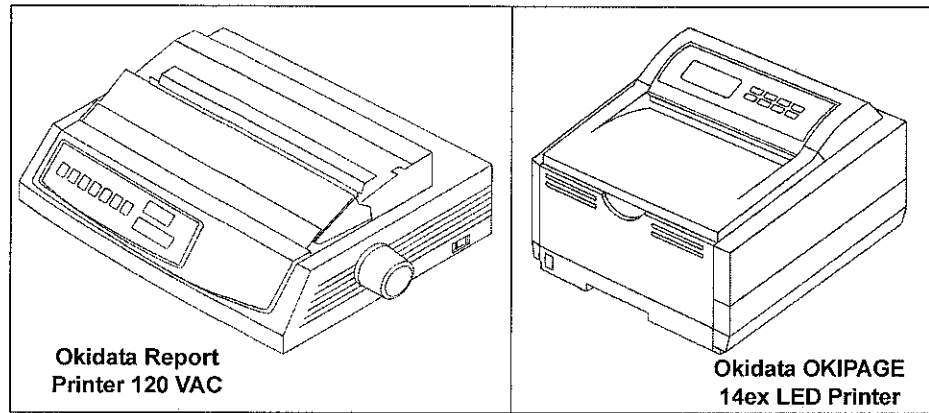
Where Used Key:

A=G-SITE

B=Passport

C=TS-1000

Okidata Printers



Description	Current Part	Previous Part	Where Used
Report Printers, Digital LED		-	
Okidata B4600 G-SITE	PA03400007	-	A
Okidata B4600 Passport	PA03400017	-	B
Okidata B4600 Image Drum	43501901	-	A, B
Okidata B4600 Toner	43502001	-	A, B
Okidata B4350 G-SITE	PA03400005	PA03400002	A, B
Okidata B4350 Passport	PA03400015	-	B
Okidata B42X0 and B43X0 Image Drum (not shown)	42102801	-	A
Okidata B43X0 Toner (not shown)	42103001 or 42102901	-	B
Okidata B4250	PA03400014	PA03400012	B
Okidata B42X0 and B43X0 Image Drum (not shown)	42102801	-	A
Okidata B42X0 Toner (not shown)	42103001	-	B
Okidata 14ex Image Drum (not shown)	41331601	-	A, B
Okidata 14ex Toner (not shown)	41331701	-	A, B
Report Printers, Impact			
Okidata Report Printer, 120 VAC (Serial and Parallel)	PA03260000	-	A, B
Okidata Report Printer Ribbon Cartridge (not shown)	Q13647-01	-	A, B
Bottom Feed Push Tractor (not shown) (Optional)	Q13647-03	-	A
Pull Tractor (not shown) (Optional)	Q13647-04	-	A
Standard Copier Paper (16-28 lb) (not shown)	-	-	A, B
Parallel Printer Cable (not shown)	Q13240-01	-	A, B

Where Used Key:

A=G-SITE

B=Passport

C=TS-1000