

3 – G-SITE System Products

Model Number Breakdown

PC-based GCXX/GTXX Terminal

Model Number	Voltage	Case Type	# of Hard Drives	# of Floppy Drives	Processor (CPU with PCI Motherboard)	Non-volatile Memory (CMOS)	Dynamic Memory
PA03010100703	115 VAC 50/60 Hz	GT60A (Black)	0	1 (1.44 MB)	566 or Higher	0	32 MB
PA03010015723	115 VAC 50/60 Hz	GC60A (Black)	1 (60 GB or Higher)	1 (1.44 MB)	566 or Higher	2 MB	32 MB

PC-based CPU/Tower Terminal (No Longer in Production)

Model Number	Voltage	Case Type	# of Hard Drives	# of Floppy Drives	Processor	Non-volatile Memory (CMOS)	Dynamic Memory
PA03010100603	115 VAC 50/60 Hz	GT50 (Black)	0	1 (1.44 MB)	566 or Higher	0	32 MB
PA03010015623	115 VAC 50/60 Hz	GC50 (Black)	1 (60 GB or Higher)	1 (1.44 MB)	566 or Higher	2 MB	32 MB
PA03010014523	115 VAC 50/60 Hz	GC50	1 (20 GB or Higher)	1 (1.44 MB)	433 or Higher	2 MB	32 MB
PA03010100503	115 VAC 50/60 Hz	GT50	0	1 (1.44 MB)	433 or Higher	0	32 MB
PA03010014423	115 VAC 50/60 Hz	GC40	1 (4.3 GB or Higher)	1 (1.44 MB)	C333 or Higher	2 MB	32 MB
PA03010100403	115 VAC 50/60 Hz	GT40	0	1 (1.44 MB)	C333 or Higher	0	32 MB
PA03010013322	115 VAC 50/60 Hz	CPU	1 (2 GB or Higher)	1 (1.44 MB)	Pentium II	2 MB	16 MB
PA03010100302	115 VAC 50/60 Hz	Tower	0	1 (1.44 MB)	Pentium II	0	16 MB
PA03010012211	115 VAC 50/60 Hz	CPU	1 (1 GB or Higher)	1 (1.44 MB)	Pentium	1 MB	8 MB
PA03010022211	115 VAC 50/60 Hz	CPU	2 (1 GB or Higher)	1 (1.44 MB)	Pentium	1 MB	8 MB
PA03010100201	115 VAC 50/60 Hz	Tower	0	1 (1.44 MB)	Pentium	None	8 MB
PA03010011111	115 VAC 50/60 Hz	CPU	1 (425 MB or Higher)	1 (1.44 MB)	Pentium OverDrive® CPU	512 KB	8 MB
PA03010100100	115 VAC 50/60 Hz	Tower	0	1 (1.44 MB)	Pentium OverDrive CPU	None	2 MB
PA03010011011	115 VAC 50/60 Hz	CPU	1 (425 MB or Higher)	1 (1.44 MB)	486 CPU	512 KB	8 MB
PA03010021001	115 VAC 50/60 Hz	CPU	2 (425 MB or Higher)	1 (1.44 MB)	486 CPU	512 KB	8 MB
PA03010100000	115 VAC 50/60 Hz	Tower	0	1 (1.44 MB)	486 CPU	None	2 MB

TCR-15 Console (No Longer in Production)

Model Number PA0189XXXXXX							
Model Number Prefix	Card Reader	Remote PIN Pad	Keyboard Graphics	Key Options	Voltage	Alpha Keyboard	Pump/Hose Controller
PA0189	0 - With	0 - Less 1 - With	1 - U.K. 2 - Exxon® 3 - Standard	0 - Set of #1 (standard)	0 - 230 V 1 - 115 V	0 - Less 1 - With	0 - 16 Hose 1 - 32 Hose (Standard)

C-2 Controller (No Longer in Production)

Model Number PA0211XXXXXX					
Model Number Prefix	Voltage	Disk Drive	I/O Expansion Boards	CRAM Options	DRAM Options
PA0211	0 - 115 V	00 - Less Drive 01 - 20 MB Drive 02 - 40 MB Drive 03 - Two 40 MB Drives 04 - Two 20 MB Drives	00 - None 01 - One W02411-G1R 02 - Two W02411-G1R 03 - One W02411-G1R and One W02411-G2R (RS-232) 04 - Three W02411-G1R	256 K/512 K 1 MB	0 - 2 MB 1 - 8 MB

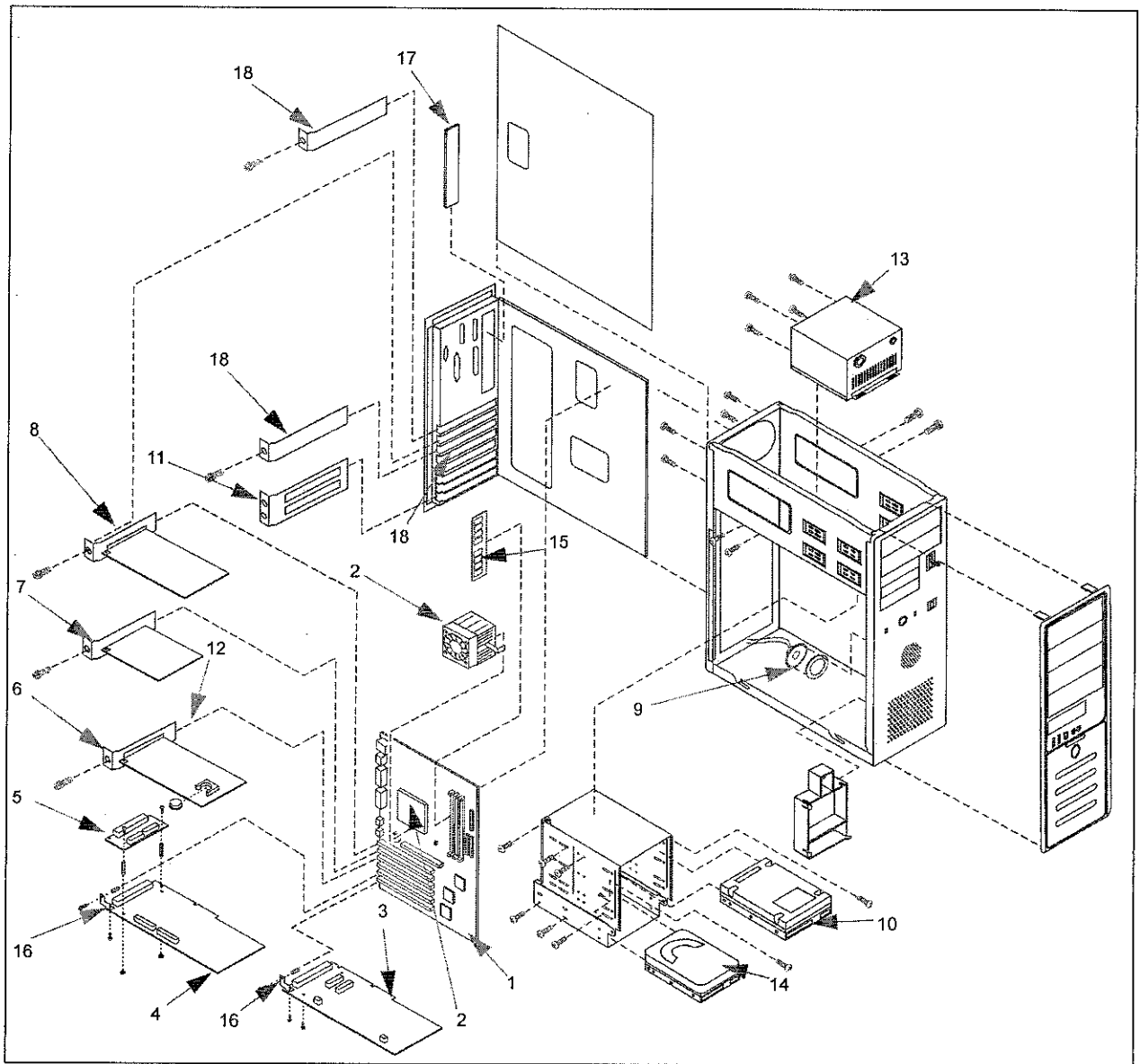
C-15 Controller (No Longer in Production)

Model Number PA0190XXXXX00				
Model Number Prefix	Console System	Disk Drive	Voltage	Not Used
PA0190	53 - Dual Console	01 - 20 MB Drive	0 - 230 V 1 - 115 V	00

Hard Drive (No Longer in Production)

Model Number	Manufacturer	Manufacturer Part Number	Size	G-SITE Platform
Q13086-56	WD	WDAC21000 with CCC Code: E3	1.0 G	Pentium
Q13086-70R	WD	AC21600 with CCC CODE: F2	1.6 G	Pentium
Q13086-104	WD	AC12100 with CCC CODE: C1 or C2	2.1 G	Pentium II
Q13086-146	WD	AC14300-00	4.3 G	GC40
Q13086-156	WD	WD84AA-00AF0	8.4 G	GC40
Q13086-161	IBM	07N3924	20 G	GC50
Q13086-161A	IBM	07N6652	20 G	GC50
Q13086-161B	IBM	07N8082	40 G	GC50
Q13086-161B	IBM	07N9208	40 G	GC50
Q13086-161C	IBM	07N9212	60 G	GC50/GC51
Q13086-161D	HGST	08K0462	80 G	GC50/GC51
Q13086-161D	HGST	14R9246	80 G	GC50/GC51

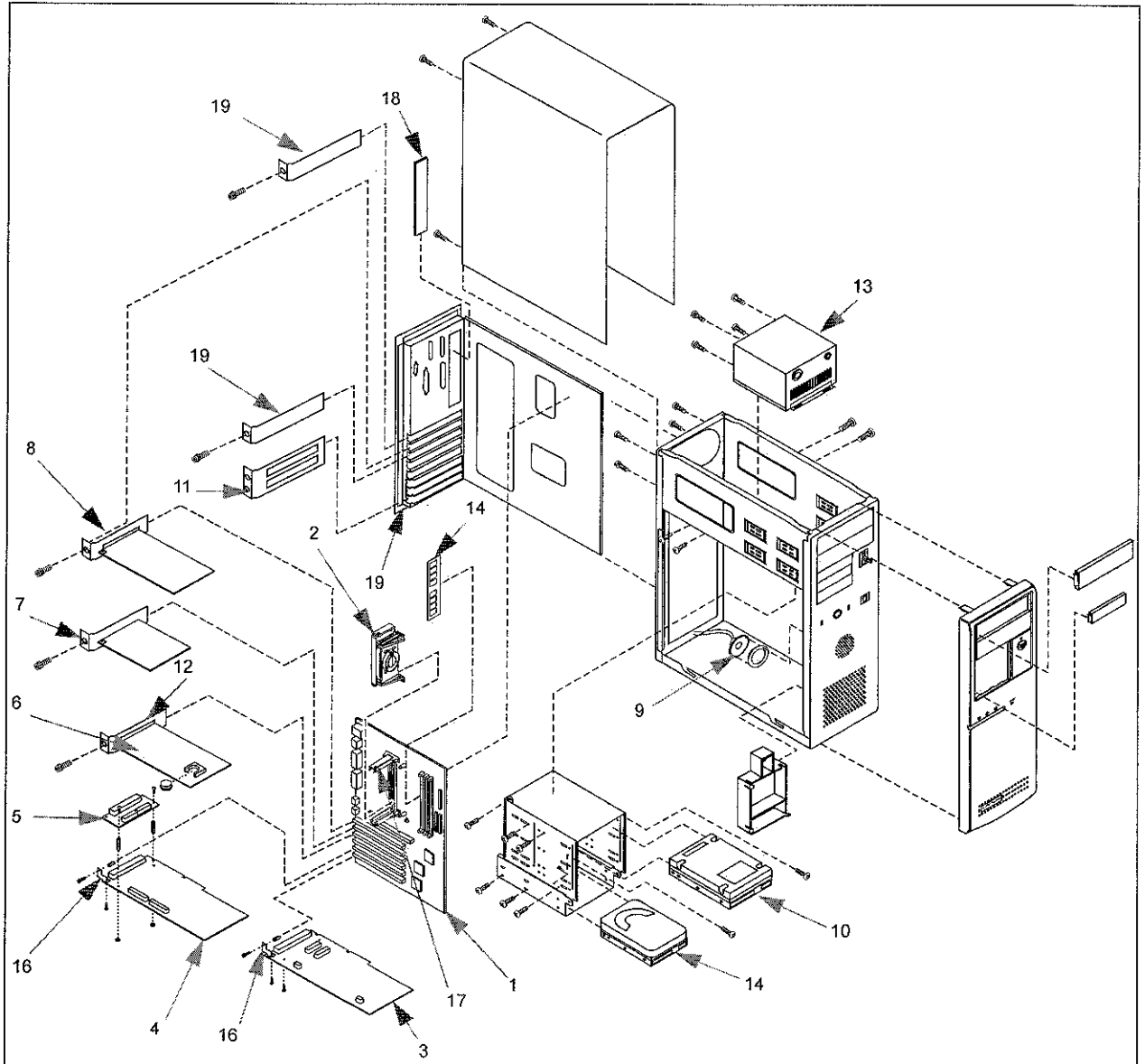
GC60/GT60 and GC5X/GT5X System



Item	Description	Current Part	On Recommended Spares List?	Also Used on GX40?	Quantity
1	Motherboard for GC5X/GT5X	Q13086-162	-	-	1
2	Processor Kit for GC5X/GT5X Models	Q13086-165	Yes	-	1
3	RS-232/Pump Loop I/O Board	T19146-G1	Yes	Yes	1
4	Console I/O Board	T20270-G2	Yes	Yes	1
5	Console I/O Strip Board	T19346-G1	Yes	Yes	1
6	CMOS Board, 2 MB	T20141-G3	Yes	Yes	1
7	Video Board, AGP Bus	Q13086-171X	Yes	Yes	1
8	Two-wire I/O Strip Board	T20178-G1	Yes	Yes	1
9	Speaker	Q13086-18	-	Yes	1
10	3.5-inch Floppy Disk Drive with Cleaning Kit (White) 3.5-inch Floppy Disk Drive with Cleaning Kit (Black)	C09553 M02870B015S	Yes	Yes	1
11	Bracket, Panel, Console I/O	N23605-01	-	Yes	2
12	Bracket, Panel, RS-232	N23605-13	-	Yes	1
13	235 W Power Supply, Internal	Q13086-103	Yes	Yes	1
14	EIDE Hard Drive	Q13086-161X	Yes	Yes	1
15	SDRAM DIMM Modules, 32 MB	Q13086-150	Yes	Yes	1
16	Angle Bracket	N23604-G1	-	Yes	1
17	I/O Panel	Q13086-166	-	-	1
18	Filler Panel	-	-	Yes	2
Spare Parts (not shown)					
-	Bag of PC Hardware	Q13086-114	Yes	Yes	1
-	Cable, Network #1 and #2	R20182-G4	Yes	Yes	2
-	Diagnostic Kit	Q13410-102	Yes	Yes	1
-	Floppy Drive Cleaning Kit	Q13476-101	Yes	Yes	1
-	Floppy Ribbon Cable	Q13086-127	Yes	Yes	1
-	Hard Drive Ribbon Cable	Q13086-128	Yes	Yes	1
-	IEC AC Power Cord	Q11121-01	Yes	Yes	1
-	Installation Manual	MDE-3110	-	Yes	1
-	Jackscrews for D-SUB	Q10437-07	-	Yes	4
-	Label Sheet, Cable Marking (BLANK)	R20276-01	-	Yes	1
-	Label Sheet, Cable Marking	R20276-02	-	Yes	1
-	Ribbon Cable 10 Cond (Two-wire)	R20184-G3	Yes	Yes	1
-	Ribbon Cable, I/O Console Board	R20185-G1	Yes	Yes	2
-	Terminator Assembly	Q13252-01	Yes	Yes	2

GC40/GT40 System

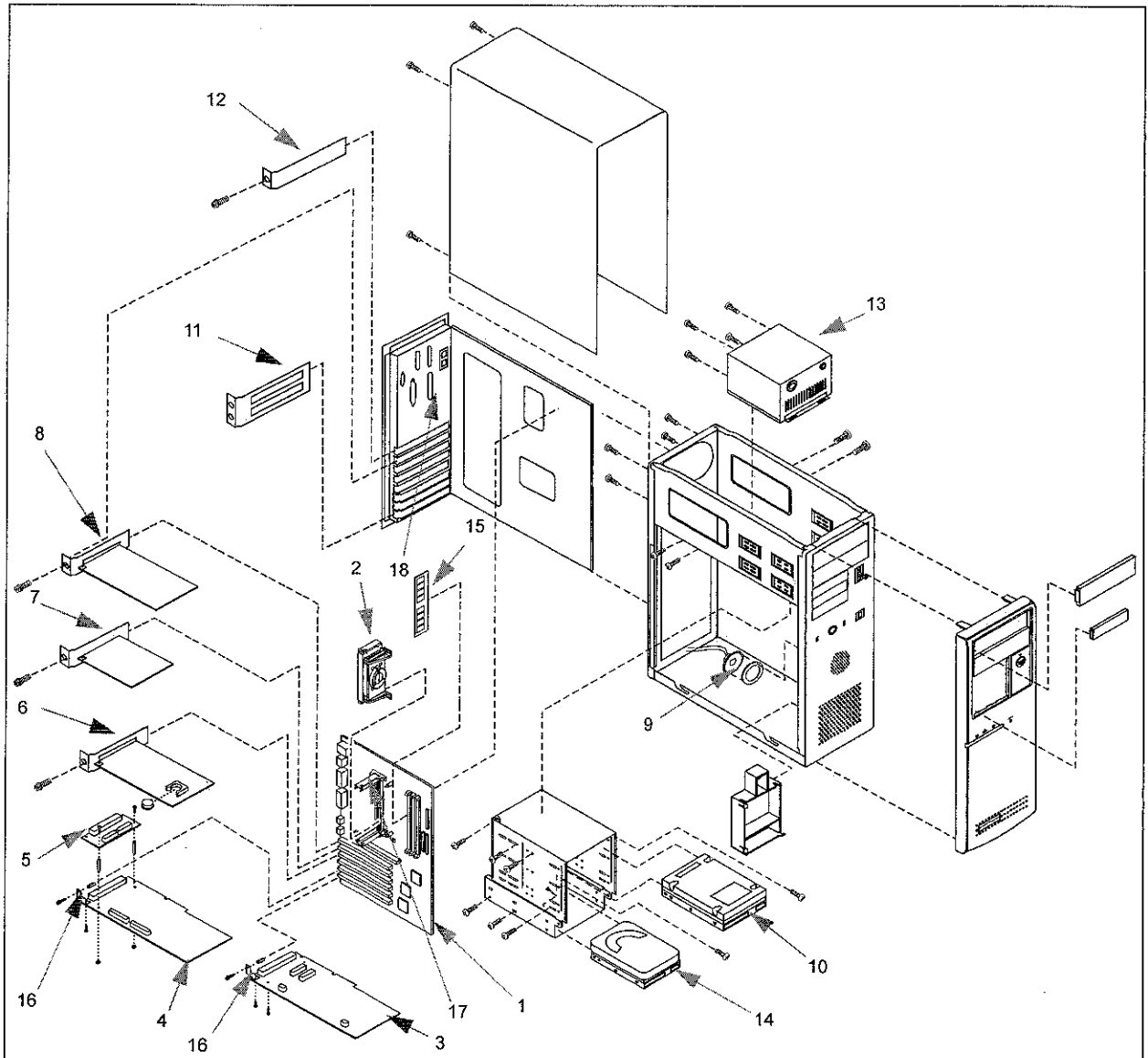
Note: The GC40/GT40 system was introduced in August 1999.



Item	Description	Current Part	On Recommended Spares List?	Also Used on Pentium II?	Quantity
1	Motherboard for GC/GT40 Models	Q13086-143S	Yes	-	1
2	Processor Kit for GC/GT40 Models	Q13086-143S	Yes	-	1
3	RS-232/Pump Loop I/O Board	T19146-G1	Yes	Yes	1
4	Console I/O Board	T20270-G2	Yes	-	1
5	Console I/O Strip Board	T19346-G1	Yes	Yes	1
6	CMOS Board, 2 MB	T20141-G3	Yes	Yes	1
7a	Video Board, PCI Bus	Q13086-155A	Yes	Yes	1
7b	Video Board, AGP Bus	Q13086-171X	Yes	-	1
8	Two-wire I/O Strip Board	T20178-G1	Yes	Yes	1
9	Speaker	Q13086-18	-	Yes	1
10	3.5-inch Floppy Disk Drive with Cleaning Kit	C09553 M02870B015S	Yes	Yes	1
11	Bracket, Panel, Console I/O	N23605-01	-	-	2
12	Bracket, Panel, RS-232	N23605-13	-	Yes	1
13	235 W Power Supply, Internal	Q13086-103	Yes	Yes	1
14	EIDE Hard Drive	Q13086-161X	Yes	Yes	1
15	SDRAM DIMM Modules, 32 MB	Q13086-150	Yes	Yes	1
16	Angle Bracket	N23604-G1	-	Yes	1
17	CPU Retention Mechanism	Q13086-135	-	Yes	1
18	I/O Panel	Q13086-113	-	Yes	1
19	Filler Panel	-	-	Yes	2
Not Shown					
-	Bag of PC Hardware	Q13086-114	Yes	Yes	1
-	Cable, Network #1 and #2	R20182-G4	Yes	Yes	2
-	Diagnostic Kit	Q13410-102	Yes	Yes	1
-	Floppy Drive Cleaning Kit	Q13476-101	Yes	Yes	1
-	Floppy Ribbon Cable	Q13086-127	Yes	Yes	1
-	Hard Drive Ribbon Cable	Q13086-128	Yes	Yes	1
-	IEC AC Power Cord	Q11121-01	Yes	Yes	1
-	Installation Manual	MDE-3110	-	Yes	1
-	Jackscrews for D-SUB	Q10437-07	-	Yes	4
-	Label Sheet, Cable Marking (BLANK)	R20276-01	-	Yes	1
-	Label Sheet, Cable Marking	R20276-02	-	Yes	1
-	Ribbon Cable 10 Cond (Two-wire)	R20184-G3	Yes	Yes	1
-	Ribbon Cable, I/O Console Board	R20185-G1	Yes	Yes	2
-	Terminator Assembly	Q13252-01	Yes	Yes	2

CPU/Tower Terminal (Pentium II System)

Note: The Pentium II system is no longer in production (manufactured from July 1998 through August 1999).

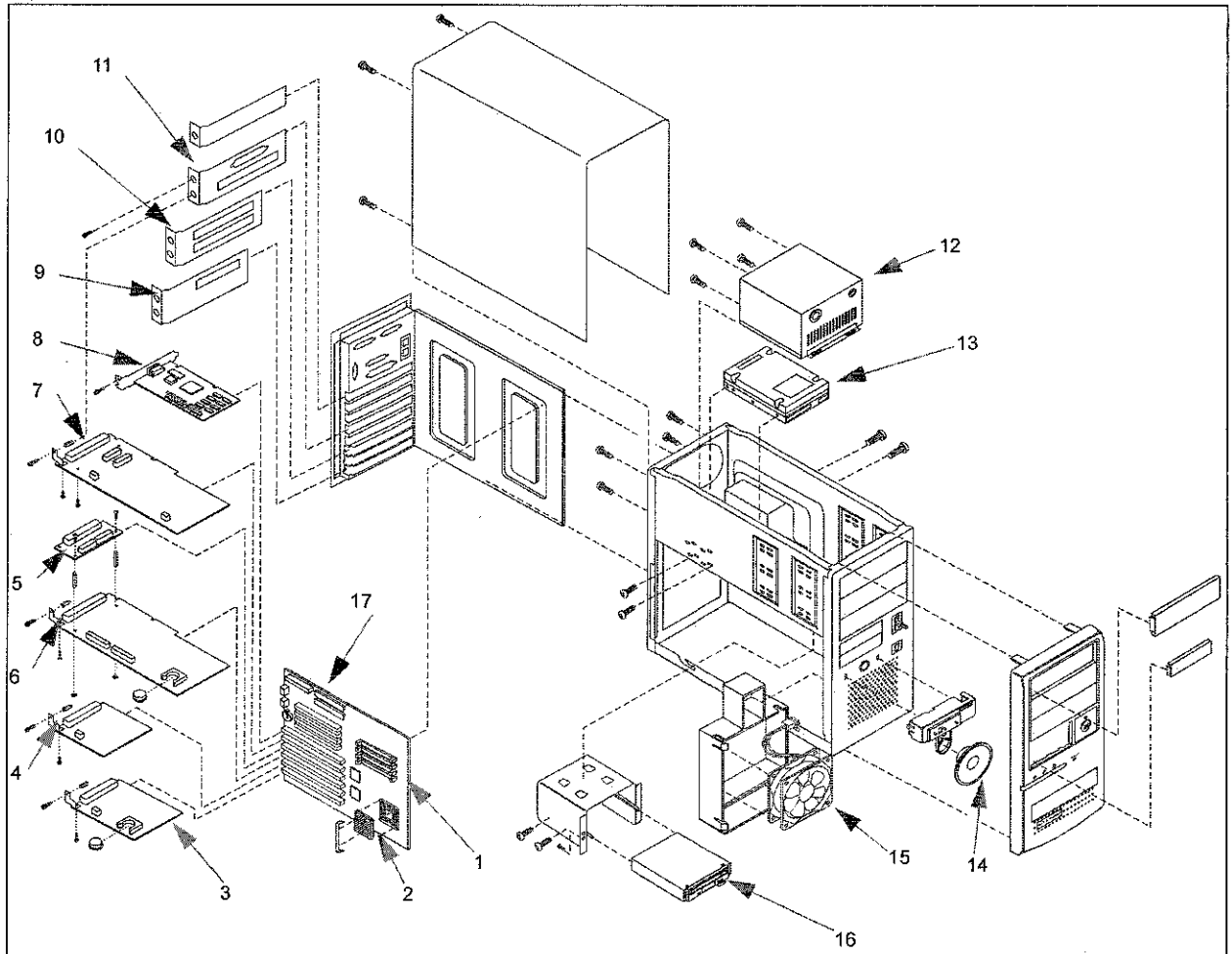


Item	Description	Current Part	On Recommended Spares List?	Also Used on Pentium?	Quantity
1	Motherboard, Pentium II	Q13086-143S	Yes	-	1
2	Pentium II Processor Kit	Q13086-143S	Yes	-	1
3	RS-232/Pump Loop I/O Board	T19146-G1	Yes	Yes	1
4	Console I/O Board	T20270-G2	Yes	-	1

Item	Description	Current Part	On Recommended Spares List?	Also Used on Pentium?	Quantity
5	Console I/O Strip Board	T19346-G1	Yes	Yes	1
6	CMOS Memory Board, 2 MB	T20141-G3	Yes	-	1
7a	Video Board, PCI Bus	Q13086-155X	Yes	Yes	1
7b	Video Board, AGP Bus	Q13086-171X	Yes	-	1
8	Two-wire I/O Strip Board	T20178-G1	Yes	-	1
9	Speaker	Q13086-18	-	Yes	1
10	3.5-inch Floppy Disk Drive, with Cleaning Kit	M02870B015S	Yes	Yes	1
11	Bracket, Panel, Console I/O	N23605-01	-	-	2
12	Bracket, Panel, RS-232	N23605-13	-	-	1
13	235 W Power Supply, Internal	Q13086-103	Yes	-	1
14	EIDE Hard Drive	Q13086-161X	Yes	-	1
15	SDRAM DIMM Modules, 32 MB	Q13086-150	Yes	No	1
16	Angle Bracket	N23604-G1	-	-	1
17	CPU Retention Mechanism	Q13086-135	-	-	1
18	I/O Panel	Q13086-113	-	-	1
Spare Parts (not shown)					
-	Bag of PC Hardware	Q13086-114	Yes	Yes	1
-	Console PCA's Ribbon Cable	R20185-G1	Yes	-	2
-	Diagnostic Kit	Q13410-102	Yes	Yes	1
-	Floppy Drive Cleaning Kit	Q13476-101	Yes	Yes	1
-	Floppy Ribbon Cable	Q13086-127	Yes	Yes	1
-	Hard Drive Ribbon Cable	Q13086-128	Yes	Yes	1
-	IEC AC Cord	Q11121-01	Yes	Yes	1
-	Installation Manual	MDE-3110	-	Yes	1
-	Jackscrews for D-SUB	Q10437-07	-	Yes	4
-	Label Sheet, Cable Marking	R20276-01	-	Yes	1
-	Label Sheet, Cable Marking	R20276-02	-	Yes	1
-	Ribbon Cable 10 cond (Two-wire)	R20184-G3	Yes	-	1
-	Ribbon to 25p D-SUB (Network #1 and #2)	R20182-G4	Yes	-	2
-	Terminator Assembly	Q13252-01	Yes	Yes	2

CPU/Tower Terminal (Pentium System)

Note: The CPU/Tower Terminal (Pentium System) is no longer being manufactured.

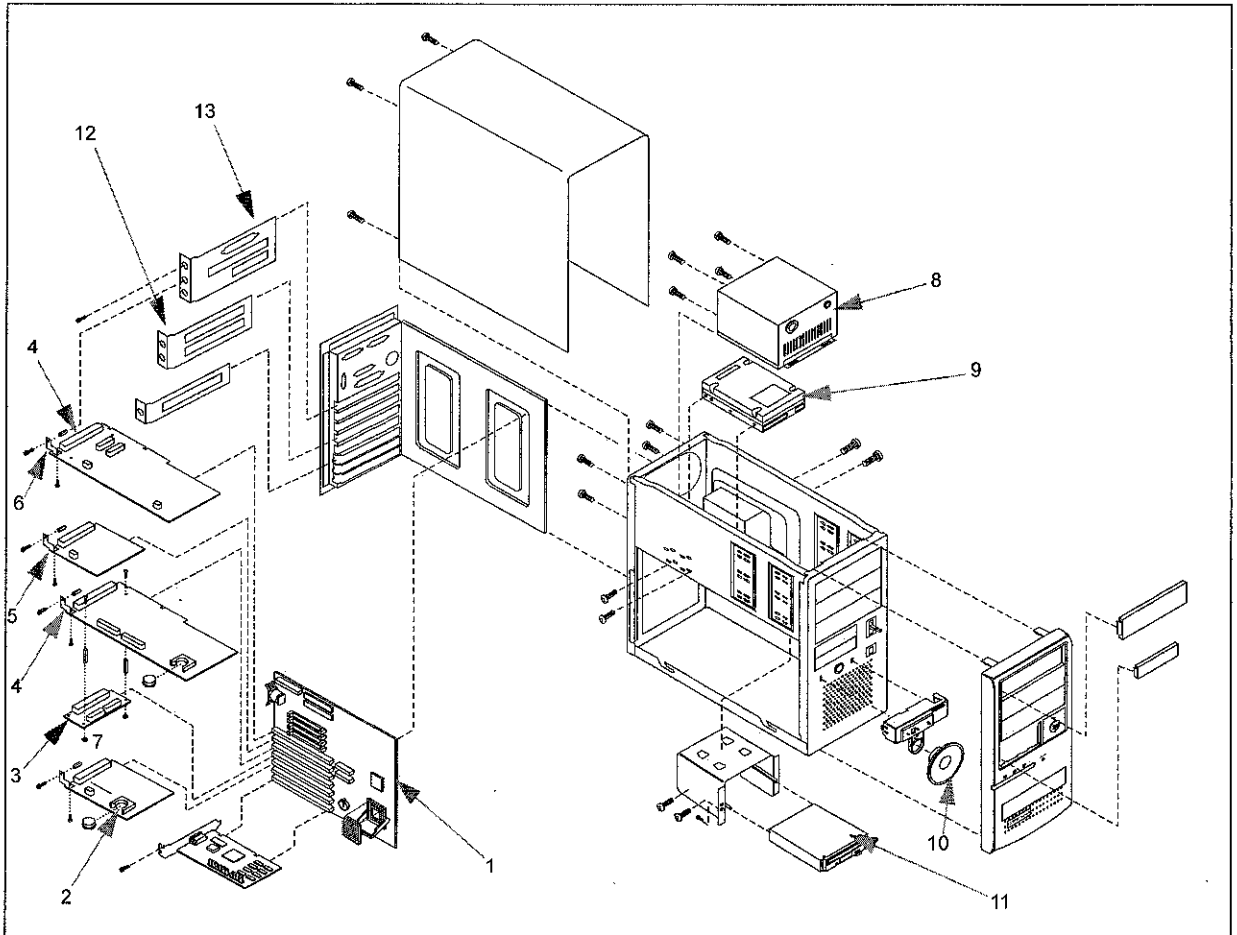


Item	Description	Current Part	On Recommended Spares List?	Also Used on 486?	Quantity
1	Motherboard with 256 KB Cache and BIOS	Q13086-62	Yes	-	1
2	Pentium Processor Kit	Q13086-65	Yes	-	1
3	CMOS Memory Board, 1 MB	T19140-G4	Yes	Yes	1
4	Two-wire I/O Strip Board	T19550-G2R	Yes	Yes	1
5	Console I/O Strip Board	T19346-G1	Yes	Yes	1
6	Console I/O Board	T19863-G2	Yes	-	1
7	RS-232/Pump Loop I/O Board	T19146-G1	Yes	Yes	1
8	Video Board, PCI Bus 16 MB	Q13086-155R	Yes	-	1
9	Bracket, PCB Panel	N23605-09	Yes	-	1
10	Bracket, Panel, Console I/O	N23605-01	-	Yes	2

Item	Description	Current Part	On Recommended Spares List?	Also Used on 486?	Quantity
11	Bracket, Panel, RS-232	N23605-08	-	-	1
12	200 W P/S, Internal	Q13086-12	Yes	Yes	1
13	EIDE Hard Drive	Q13086-161X	Yes	No	1
14	Speaker	Q13086-18	-	Yes	1
15	Assembly, Fan, and Cable	Q13086-57	Yes	Yes	1
16	3.5-inch Floppy Disk Drive, with Cleaning Kit	M02870B015S	Yes	-	1
17	1M X 32 = 4 MB DRAM SIMM	Q13086-52	Yes	Yes	1
Spare Parts (not shown)					
-	Bag of PC Hardware	Q13086-114	Yes	Yes	1
-	Console PCA Ribbon Cable	R20185-G1	Yes	Yes	2
-	Diagnostic Kit	Q13410-102	Yes	Yes	1
-	Floppy Drive Cleaning Kit	Q13476-101	Yes	Yes	1
-	Floppy Ribbon Cable	Q13086-127	Yes	Yes	1
-	Hard Drive Ribbon Cable	Q13086-128	Yes	Yes	1
-	Harness, COM 1 or 2, 9p D-SUB	R20186-G1	Yes	Yes	2
-	Harness, LPT1 25p D-SUB	R20182-G3	Yes	Yes	1
-	IEC to reverse IEC AC Cord, 18-inch	Q11121-04	Yes	Yes	1
-	Installation Manual	MDE-3110	-	Yes	1
-	Label Sheet, Cable Marking	R20276-01	-	Yes	1
-	Label Sheet, Cable Marking	R20276-02	-	Yes	1
-	Ribbon Cable 10 Cond (Two-wire)	R20184-G2	Yes	Yes	1
-	Ribbon to 25p D-SUB (Network #1)	R20182-G2	Yes	Yes	1
-	Terminator Assembly	Q13252-01	Yes	Yes	2

CPU/Tower Terminal (486 System)

Note: The CPU/Tower Terminal (486 System) is no longer being manufactured.



Item	Description	Part Number	On Recommended Spares List?	Also Used on Pentium?	Quantity
1	Motherboard w/128 KB Cache and BIOS (obsolete - no longer available for purchase)	Q13086-37R	Yes	-	1
2	CMOS Memory Board, 1 MB	T19140-G4	Yes	Yes	1
3	Console I/O Strip Board	T19346-G1	Yes	Yes	1
4	Console I/O Board	T19863-G2	Yes	-	1
5	Two-wire I/O Strip Board	T19550-G2R	Yes	Yes	1
6	RS-232/Pump Loop I/O Board	T19146-G1	Yes	Yes	1
7	Bracket, PCB Board Support	N23604-G1	-	Yes	1
8	200 W Power Supply, Internal	Q13086-12	Yes	Yes	1
9	EIDE Hard Drive Hard Disk 3.5" 40 GB EIDE	Q13086-161X Q13086-161BR	Yes	No	1

Item	Description	Part Number	On Recommended Spares List?	Also Used on Pentium?	Quantity
10	Speaker	Q13086-18	Yes	Yes	1
11	3.5-inch Floppy Disk Drive, with Cleaning Kit	M02870B015S	Yes	Yes	1
12	Bracket, Panel, Console I/O	N23605-01	-	Yes	2
13	Bracket, Panel, Controller I/O	N23605-02	-	Yes	1
-	DRAM SIMM, 4 MB (not shown)	Q13086-52	Yes	Yes	1
Spare Parts (not shown)					
-	Bag of PC Hardware	Q13086-114	Yes	Yes	2
-	Console Board Ribbon Cable	R20185-G1	Yes	Yes	2
-	Diagnostic Kit	Q13410-102	Yes	Yes	1
-	Floppy Drive Cleaning Kit	Q13476-101	Yes	Yes	1
-	Harness, COM 1 or 2-pin D-SUB	R20186-G1	Yes	Yes	2
-	Harness, Hard Drive	Q13086-14	Yes	-	1
-	Harness, LPT1 25-pin D-SUB	R20182-G3	Yes	Yes	1
-	Harness, Motherboard to Floppy	Q13086-13	Yes	-	1
-	IEC to reverse IEC AC Cord	Q11121-04	Yes	Yes	1
-	Installation Manual	MDE-3110	-	Yes	1
-	Jackscrews for D-SUB	Q10437-07	-	Yes	6
-	Label Sheet, Cable Marking	R20276-01	-	Yes	1
-	Label Sheet, Cable Marking	R20276-02	-	Yes	1
-	Ribbon Cable 10 Cond (Two-wire)	R20184-G2	Yes	Yes	1
-	Ribbon to 25-pin D-SUB (Network #1)	R20182-G2	Yes	Yes	1
-	Terminator Assembly	Q13252-01	Yes	Yes	2

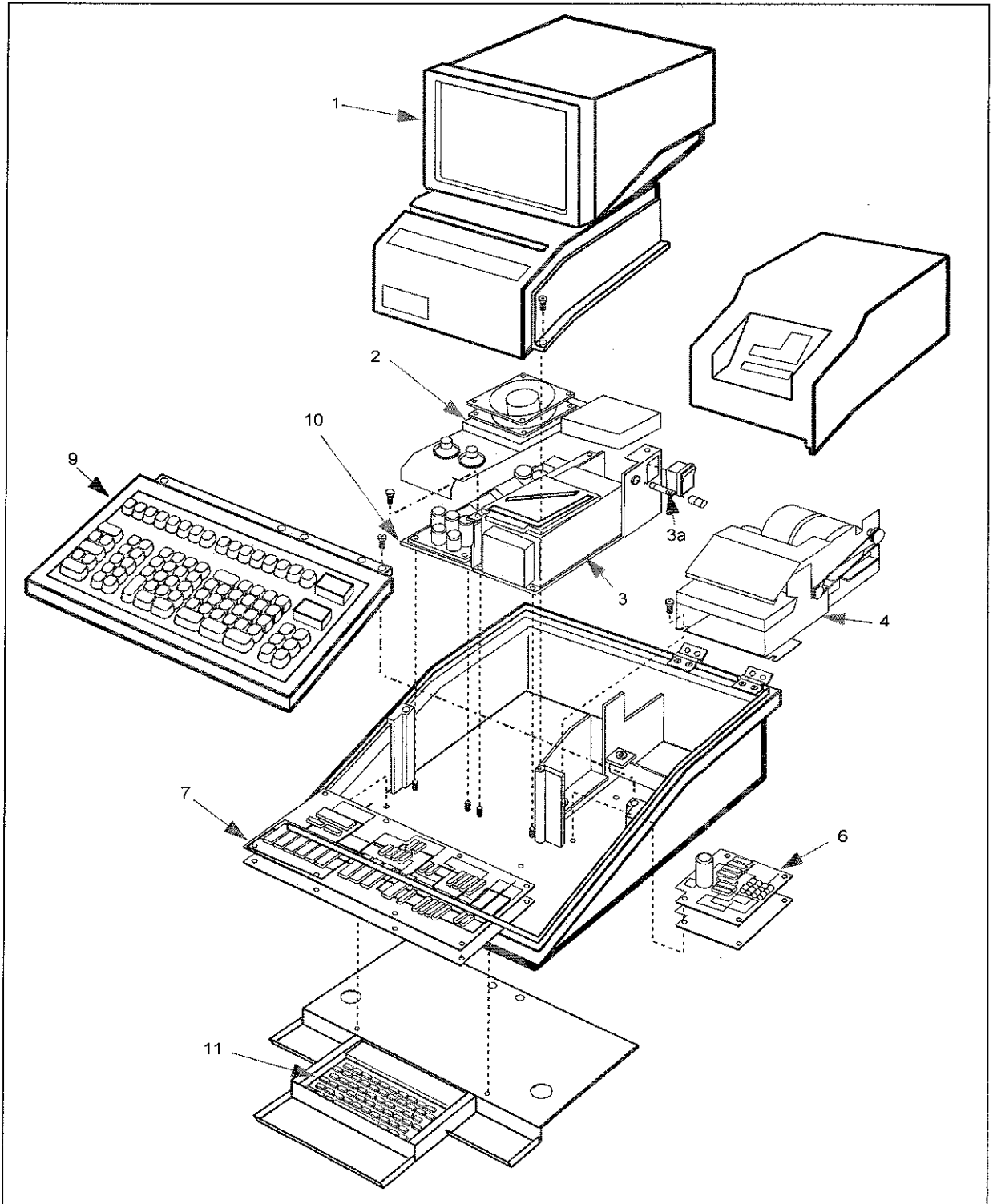
PC-based G-SITE System External Cables, Gender Menders, Boosters, and Converters

Description	Current Part
External Cables	
Power Cord, IEC Standard (Pentium II)	Q11121-01
Power Cord IEC to reverse IEC, 1.5 meters (Powerfail Module to PC) (486 and Pentium only)	Q11121-04
Modem Cable, 10 feet	Q11542-33
Modem Cable, 100 feet	Q11542-61
Modem Cable, 50 feet	Q11542-65
Modem Pull Ring Cable Kit, 150 feet	K93693-11
Parallel Report Printer Cable, 10 feet (Okidata or Citizen® 190)	Q13240-01
VGA Monitor Extension Cable, 6 feet	Q13240-02B
QWERTY Keyboard Adaptor (to use Q13181-01 Keyboard with Pentium, Pentium II, and GC/GT Models)	Q13240-04
QWERTY Keyboard Adaptor (to use Q13181-02 Keyboard with 486 models)	Q13240-05
Coupling, Modular Jack	Q13241-01
Splitter Single Modular Jack to Two Modular Jacks	Q13241-05
Video Security Kit	Q13241-101
Line Booster Kit	Q13241-102
TCR-15/C-2/C-15 Replacement Cable Kit	Q13241-104
TCR-15 only Replacement Cable Kit	Q13241-109
Universal Distribution Box Kit (converts distribution box to two-wire with modular jack)	Q13241-107
DHPrint Adapter Cable (PA0313XXXX)	Q13267-12
VeriFone® Adapter Cable (PA0314XXXX) -- 10 feet	Q13268-04
Terminator Assembly RS-485 (multiple console requires two)	Q13252-01
IVI Ingenico® PinPad Cable, 12 feet	M01755A001
Data Cable, Category 5 (for use with G-SITE system peripherals)	
• 3 feet	Q13850-03
• 6 feet	Q13850-06
• 10 feet	Q13850-10
• 15 feet	Q13850-15
• 25 feet	Q13850-25
• 50 feet	Q13850-50
• 100 feet	Q13850-100
• 150 feet	Q13850-150
• 200 feet	Q13850-200
• 250 feet	Q13850-250
Gender Menders	
RPCI 25-pin D-SUB at PC (5 pieces)	Q13180-01BS
Customer Display (PA0207) to PC G-SITE Systems	Q13180-32B
Tank Monitor™ (5 pieces)	Q13180-03B
GSM	Q13180-04B

Description	Current Part
DHPrint slip/receipt Printer (PA0254)	Q13180-09B
Citizen Receipt Printer (PA0308) (5 pieces)	Q13180-10BS
Two-wire Receptacle (Universal Distribution Box) (5 pieces)	Q13180-11BS
Ryko Code A Wash 3 Car Wash (5 pieces)	Q13180-16BS
Ryko Code A Wash 4, Slant, and Unitec Car Wash (5 pieces)	Q13180-17BS
RS-232 (use with -22 for Line Booster) (also used with Exacta Car Wash) (5 pieces)	Q13180-18BS
RPCI 9-pin D-SUB at PC (also used with ICS Car Wash and Emco EMC™) (5 pieces)	Q13180-19BS
COM 1 (use with -21, Serial Report Printer) (5 pieces)	Q13180-20BS
Serial Report Printer (use with -20) (5 pieces)	Q13180-21BS
RS-232 (downline load, use with -18 on Line Booster or for RPCI with Modem or Remote Access) (5 pieces)	Q13180-22BS
PIN Pad Techlink (5 pieces)	Q13180-23BS
Gender Mender VeriFone Printer (used with Q12654-01 Cable)	Q13180-27B
Gender Mender Merchandising Journal Printer (5 pieces)	Q13180-33BS
Axiohm™ Thermal Printer (PA0330) (5 pieces)	Q13180-34BS
Gender Mender VeriFone Everest RFID PIN Pad (PA0335)	Q13180-42B
Remote Access PES 5000/6000 (5 pieces)	Q13180-43B
RS-232 Two-wire Converter Kit	Q13623-G1
Gender Mender RS-232 (use with -22 for line booster #1) (also used with exact car wash) (5 pieces)	Q13180-18BS
Gender Mender TS-1000 DHP 4711 Printer	Q13180-31B
Gender Mender Customer Display (PA0207)	Q13180-32B
Gender Mender Epson TM-T88ii(PA0343) and TM-U200 (PA0346, PA0347) (5 pieces)	Q13180-47BS
Gender Mender Epson TM-T88iii (PA0353, PA0375), TM-U200 (PA0352), and TM-U220 (PA0368) (5 pieces)	Q13180-50BS
Gender Mender Customer Display (PA02070X03)	Q13180-54B
Gender Mender BP EPS	Q13180-59

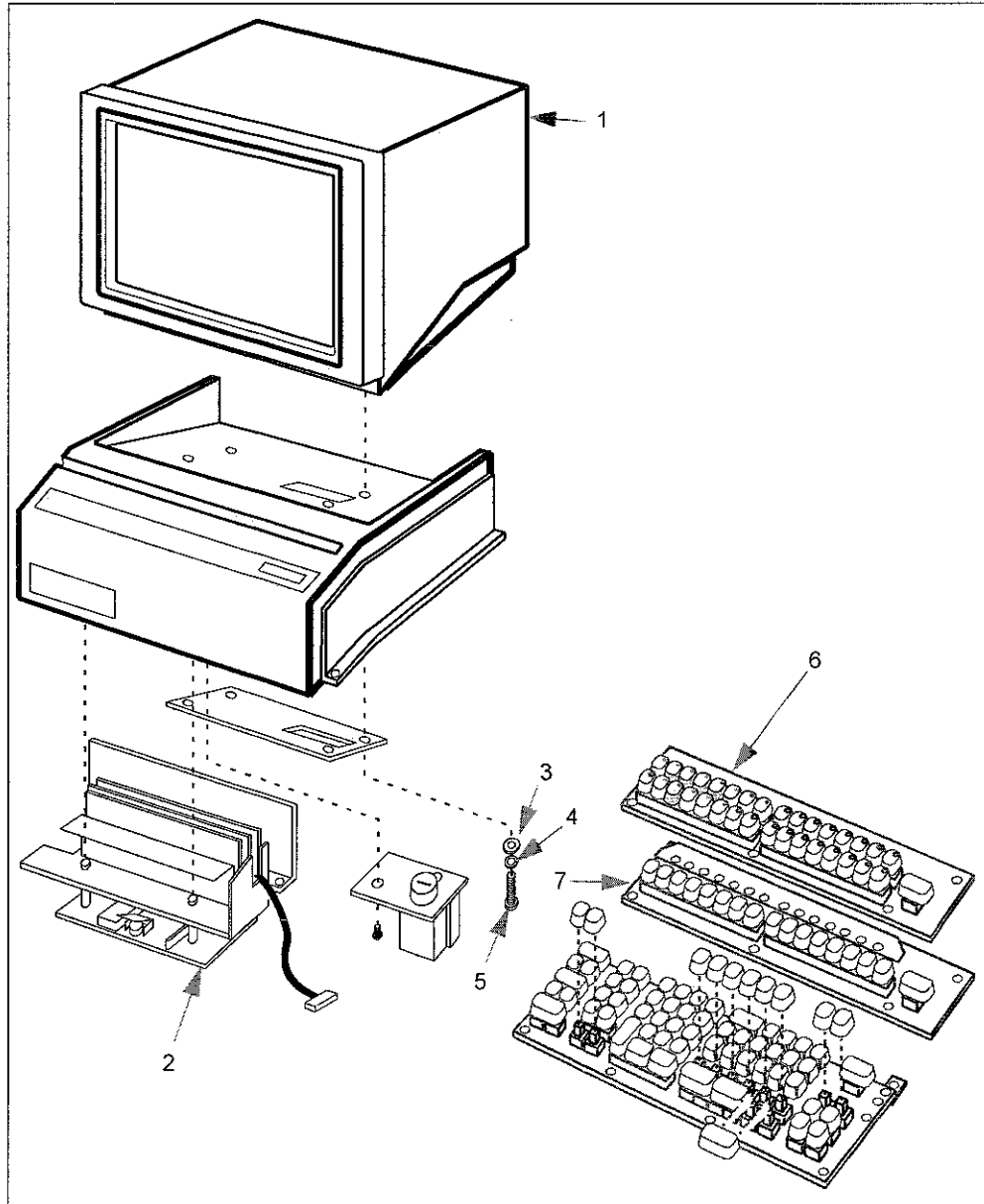
TCR-15 Console

Note: The TCR-15 Console is no longer being manufactured.



Item	Description	Current Part	Previous Part	Quantity
1	VDU and Card Reader Assembly (does not include bezel and back cover)	T16716-P1R	T16014-P1	1
2	Speaker/Shield Assembly	T15986-G2R	-	1
3	I/O Chassis Assembly	T15965-G2R	T15965-G1	1
3a	Fuse 3 A, 250 V, Slo-blo	Q10131-03	-	1
4	Printer Assembly Model 2666	N22914-G1R	-	1
5	Screw 6-19 X 5/8 inches (not shown)	Q12014-17	-	8
6	Printer Driver Board	T17303-G1R	-	1
7	Logic Board Assembly	W02462-G2R	W02096-G2	1
8a	Jump Jack (not shown)	Q11011-01	-	
8b	W02462-G2 Software Kit (U7/U32 for 2666 Printer, Keyboard, Scanner) (not shown)	K93845-01	-	1
	W02462-G2 Software Kit (U7/U32 for 522G and 2666 Printers, Keyboard, Scanner) (not shown)	K93845-02	-	1
9	Keyboard Assemblies	(see page 41)	-	1
10	Power Supply Assembly	R17964-G2R	-	1
11	Alpha Keyboard Assembly	W02126-G1R	-	1
11a	Rubber Bumper (not shown)	Q10225-13	-	4
12	All Stop Warning Decals (not shown)	R18630-03	-	1
13	Key, SUPERVISOR (Yellow, not shown)	Q11744-25A	-	1
	Key, TEST (Red, not shown)	Q11744-10D	-	1
	Key, MANAGER (Black, not shown)	Q11744-13F	-	1
	Key, CASHIER (Green, not shown)	Q11744-19C	-	1
	Key, OPERATOR (Blue, not shown)	Q11744-28B	-	1
14	Mag Stripe Cleaning Card (not shown)	Q11482	-	
15	TCR Logo Stamp for 2666 (not shown)	Q12269-01	-	
	TCR Logo Stamp Ink (Blue, not shown)	Q11116-02	-	

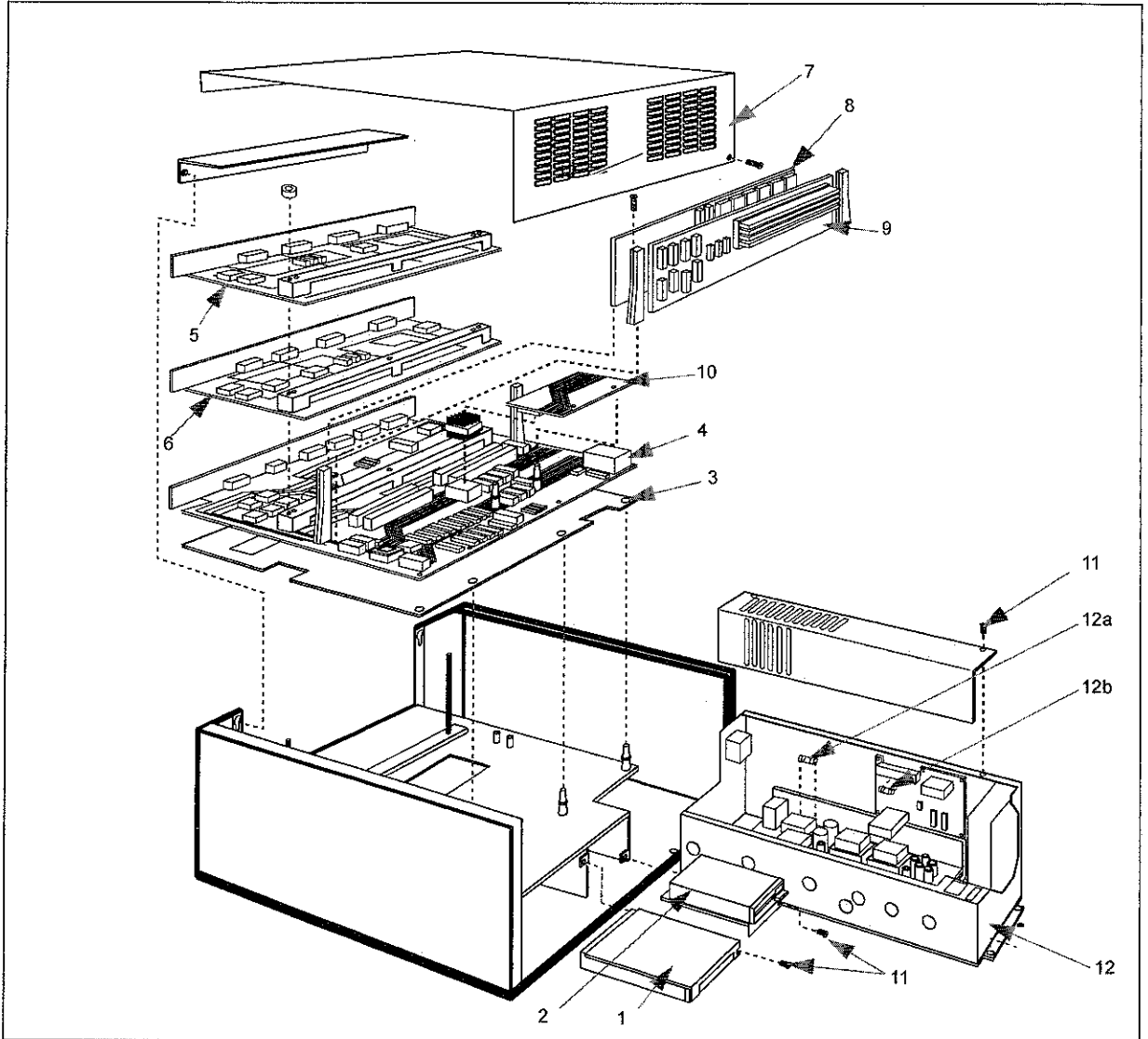
VDU and Card Reader Assembly, Basic Keyboards



Item	Description	Current Part	Previous Part	Quantity
1	VDU Subassembly (Less Bezel and Back Cover)	T16716-P1R	T16014-P1	1
2	Card Reader Assembly	R18796-G1R	R17954-G1	1
3	Flat Washer #10	K65235-22	-	4
4	Lock Washer #10	K73278-34	-	4
5	Screw 10-32 X 7/8 inches	Q11270-78	-	4
6	32-position Pump Controller Keyboard (for Field Repairs)	T16931-G1R	-	1
7	16-position Pump Controller Keyboard (for Field Repairs)	T16928-G1R	-	1
-	Metal Keystop (not shown)	Q10456-01	-	1
TCR-15 Internal Cable Assemblies (not shown)				
-	Logic to Keyboards (Ribbon) J107, J301, J403	R18666-G1	-	1
-	Logic to I/R Receiver to TCS PIN Pad J106, J1	-	R18379-G1	1
-	Power Supply to VDU TB2, P602	R17870-G2	-	1
-	Power Supply to Logic TB2, J101	R17860-G2	-	1
-	Power Supply to Printer Driver TB2, J502	R17859-G2	-	1
-	Power Receptacle	Q11122-01	-	1

C-2 Controller

Note: The C-2 Controller is no longer being manufactured.

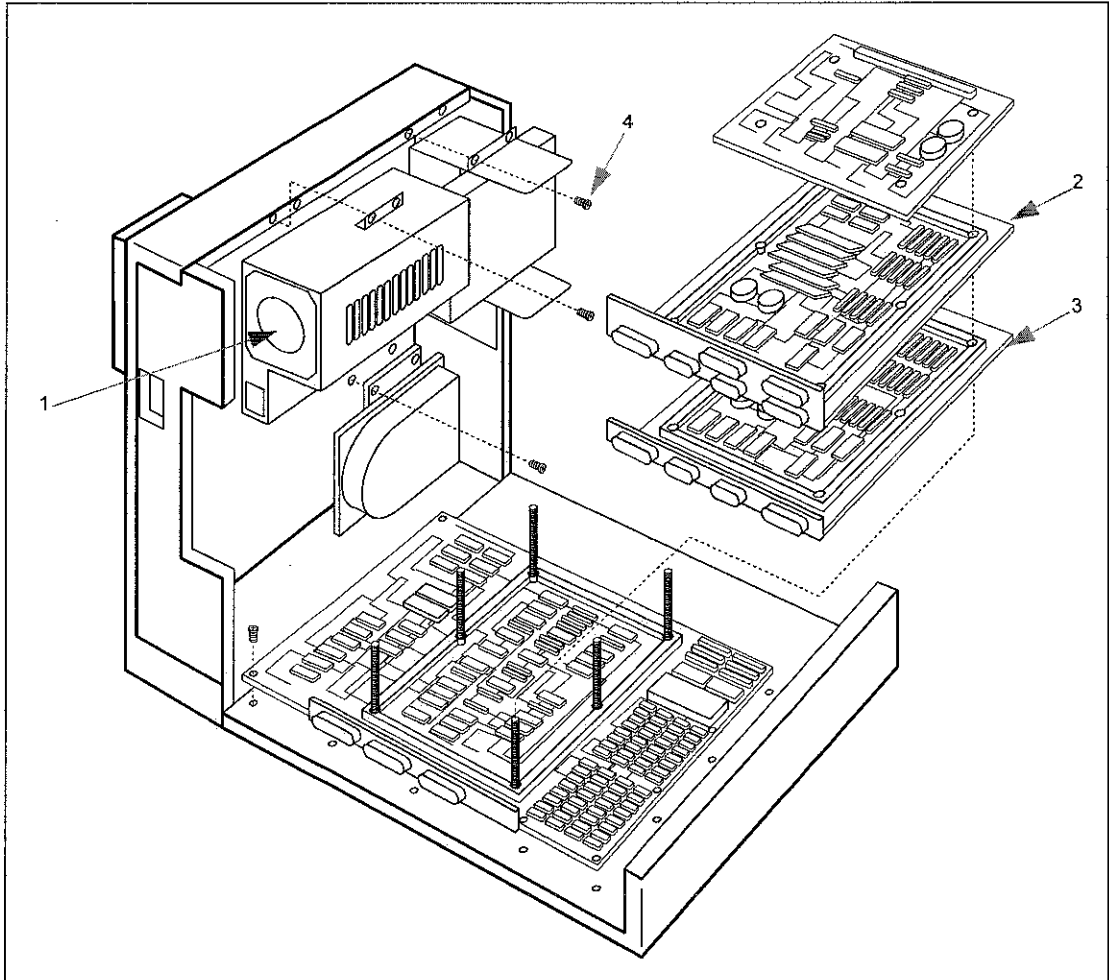


Item	Description	Current Part	Previous Part	Quantity
1	Hard Drive, IDE	Q13086-70R	Q13086-56, Q13086-30	1
2	Floppy Drive Retrofit Kit	No replacement part	Q12404 -01	1
2a	Floppy Drive with Cleaning Kit	M02870B015S	Q13086-66	1
3	CPU Nylon Support	Q10651-29	-	1
4	CPU Board Assembly	W02413-G2R	W02413-G1	1
5	I/O Expansion Board (RS-232 only)	W02411-G2R	-	1
6	I/O Expansion Board with Console and Pump Loop	W02411-G1R	-	1

Item	Description	Current Part	Previous Part	Quantity
7	Chassis and Cover Assembly	-	-	1
8	CRAM PC Board Assembly 256 KB Expandable to 512 KB	T17799-G1R	W02416-G1	1
	Jump Jack JP5	Q11011-01	-	1
	Jump Jack JP3	Q10890-01	-	1
9	DRAM PC Board Assembly, 4 MB	W02417-G3R	W02417-G1	1
	Nylon Screw 6-32 X 3/4 inches	Q11128-39	-	4
10	DMA Controller Board	T17316-G1R	-	1
	DMA Nylon Support	Q10651-06	-	None
11	Screw #8-32 X 3/8 inches	Q12083-26	-	6
12	Power Supply, 115 VAC	W02437-G1R	-	1
12a	F1 Fuse 4 A, 250 VAC	Q10131-35	-	1
12b	Fuse 2 A, 250 VAC, Slo-blo	Q10131-03	-	1
-	Fan (not shown)	Q10355-02	-	1

C-15 Controller

Note: The C-15 Controller is no longer being manufactured.



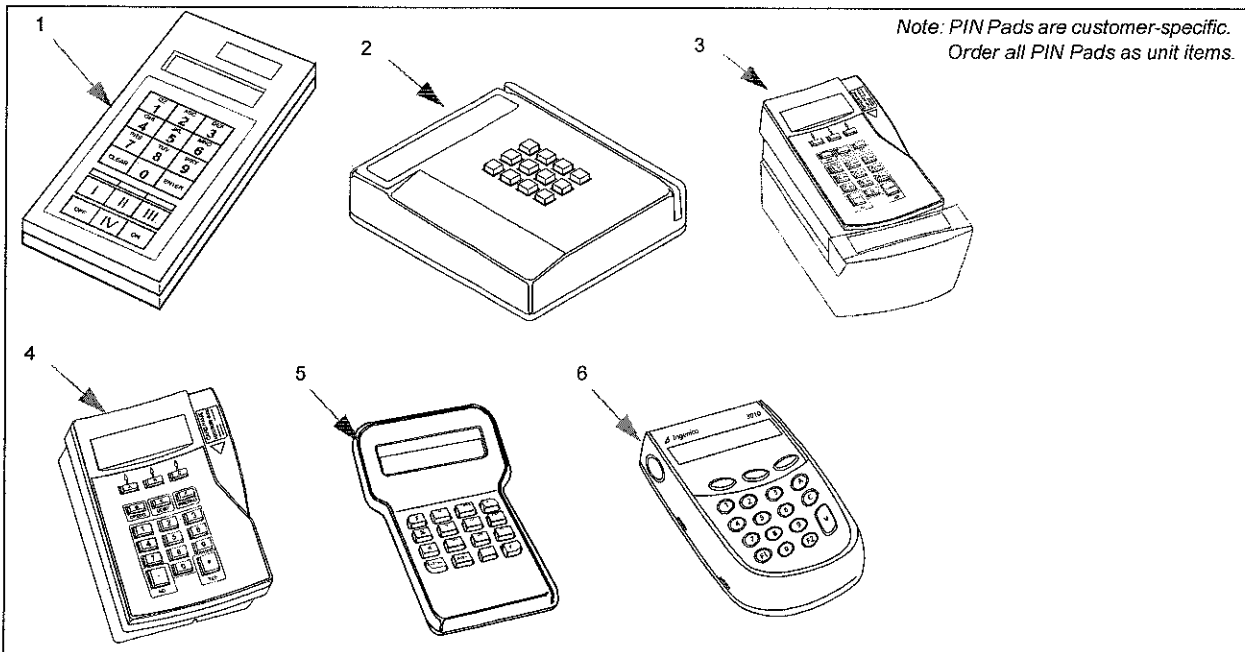
Item	Description	Current Part	Previous Part	Quantity
1	Fan	Q10355-02	-	1
2	I/O PC Board Assembly #1 (CMOS + DRAM, 2 Spare Ports)	W02101-G3R	-	1
3	I/O PC Board Assembly #2 (CMOS + DRAM)	W02101-G2R	-	1
4	Screw 10-24 X 5/16 inches	Q11769-43	-	None
Internal Cables (not shown)				
-	CPU to Hard Disk Drive A1, A4, P32, A1, A3, P2	-	-	1
-	Power Supply to Floppy Drive to Hard Drive A1, A2, P3, A1, A3, P3 (Mini-frame)	-	-	1

G-SITE System Peripherals

Description	Current Part	Previous Part	PC-based System	TCR-15 System
Cash Drawers				
Cash Drawer (PC-based G-SITE System) (Black)	PA01570063	PA01570061	Yes	-
Cash Drawer Assembly (TCR-15 and TCR-G/2)	PA01570000	Q13174-07	-	Yes
Change Tray (without Lid)	Q13174-11	Q11035-01 Q13174-07	Yes	Yes
Change Tray Lid	Q13174-12	Q11123-01	Yes	Yes
Cash Drawer (G1) Key	K89699-24	Q13174-09	Yes	Yes
Change Tray Lid (MM101) Key	K89699-29	-	Yes	Yes
Canadian Coin Insert (for PA01570061 only)	Q13174-08	Q11035-02	Yes	Yes
Canadian Till (For PA01570063)	Q13174-13	-	Yes	Yes
Cash Drawer Cable (PC-based G-SITE System)	Q13174-03	-	Yes	Yes
Monitors and Customer Displays				
9-inch Monochrome Monitor	-	PA03030300	Yes	-
14-inch Color CRT Monitor	-	PA03030113	Yes	-
12-inch Color LCD Monitor	-	PA03390103	Yes	-
15-inch Color LCD Monitor	PA03390204	PA03390203		
Power Supply for PA03390204	Q13178-08	-	-	-
Customer Display Assembly, PC-based G-SITE System	PA03270203	PA03270000 PA03100000 PA03270003	Yes	Yes
Customer Display, Power Supply	Q13648-01	-	-	-
Display Board for PA0310	Q13237-01	-	Yes	Yes
Keyboards, Operating Mode Keys, and Card Readers				
QWERTY Keyboard	Q13181-05	Q13181-02	Yes	-
Cashier Keyboard	PA03480003	PA03480000	Yes	-
• Relegendable Keycap and Covers, 10 each 1 X 1	Q13887-01B	Q13887-01 Q13481-02	Yes	-
• Relegendable Covers, 10 each 1 X 1	Q13887-02	Q13481-03	Yes	-
• LED Pump Keys, 19-32	Q13887-03B	Q13887-03 Q13481-04	Yes	-
• Keycaps	Q13887-05B	Q13887-05 Q13481-05	Yes	-
• Keycap Kit, all Keys on Keyboard	Q13887-06B	Q13887-06 Q13481-07	Yes	-
• Keycap Puller Tool	Q13887-07	Q13481-08	Yes	-
Keyboard Cable	Q13887-10B	Q13482-10	Yes	-
• Viziflex Keyboard Cover	Q13887-09	Q13481-11	Yes	-
• Keycap Legend Sheet, White	T20102-03	T20102-01	Yes	-
Supervisor Key (Yellow)	-	Q11744-25A	Yes	Yes
Test Key (Red)	-	Q11744-10D	Yes	Yes
Manager Key (Black)	-	Q11744-13F	Yes	Yes

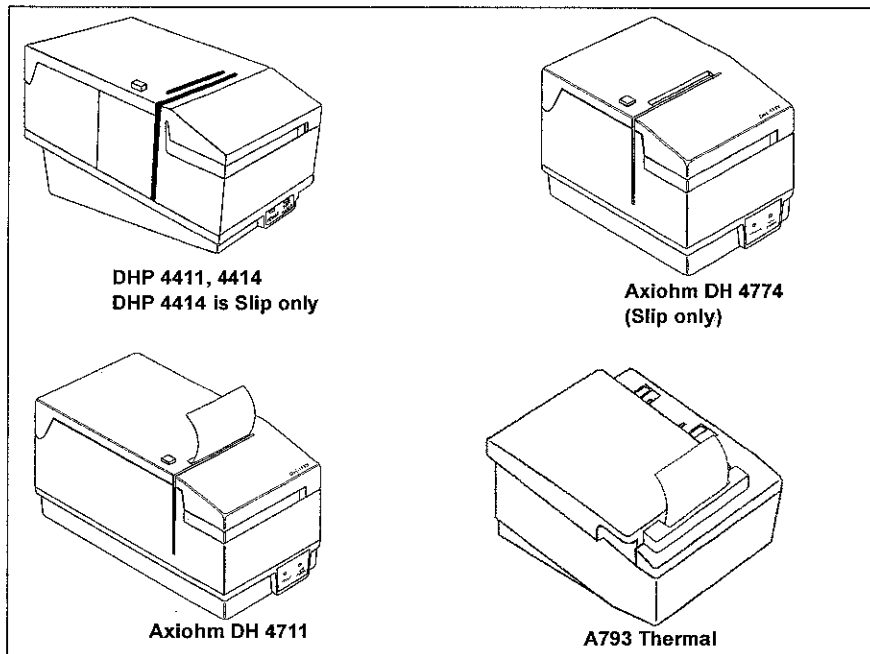
Description	Current Part	Previous Part	PC-based System	TCR-15 System
Cashier Key (Green)	-	Q11744-19C	Yes	Yes
Operator Key (Blue)	-	Q11744-28B	Yes	Yes
Card Reader	Q12058-04	Q12058-03	Yes	-
Key Switch Assembly	-	R17858-G2	Yes	-
Modems				
Modem (Leased Line - IOL)	-	PA02100000	Yes	Yes
Modem (Multi-Tech 56 K V.90)	PA02960009	PA02960007 PA02960006 PA02960005 PA02960004 PA02960003 PA02960002 PA02960001	Yes	Yes
Modem (for Exxon)	-	PA02880001 PA02880000 PA02880002	Yes	Yes
Modem (Leased Line Remote Sites)	-	PA03190000	Yes	-
Phone Routers				
POLNET® ACP-3 Phone Router	PA03420000	-	Yes	-
Barcode Scanners				
MS6720 Handheld Scanner	-	PA02710203 PA02710201	Yes	Yes
MS7120 Orbit Hands Free Scanner	PA02710303	-	Yes	Yes
Fusion Hand Held Scanner	PA02710403	-	Yes	-
Above-counter Projection Bar Code Scanner (with Stand and Cables)	-	PA02710001 PA02710000	Yes	Yes
Data Cable and Power Supply Assembly (used on MS6720)	Q12651-01	-	Yes	Yes
Power Supply Assembly for MS7120, Fusion	Q12651-20	-	Yes	Yes
Power Supply for MS6720	Q12651-16	-	Yes	Yes
Other Equipment				
Power Fail Module	-	T16548-G1	Yes	-
Gilbarco Security Module	PA0258000XXXX	-	Yes	Yes
Power Supply for Gilbarco Security Module	Q13693-03	Q12538-01	Yes	Yes
Diagnostic Kit	Q13410-102	-	Yes	-
Floppy Drive Cleaning Kit	Q13476-101	-	Yes	-

PIN Pads



Item	Description	Current Part	Previous Part
1	Attached PIN Pad Kit (for BP, includes Cable and PIN Pad)	-	K93865-01
2	Techlink PIN Pad, attached (for BP) (part of K93865-01)	-	Q12069-10
3	VeriFone PIN Pad V2000 (part of K94300-AMC1 Kit)	Q12069-13	Q12069-11
4	VeriFone Everest Plus PIN Pad Kit with RFID	RA03351XXXXXX	K96601-XXX
5	VeriFone Everest Plus PIN Pad Kit without RFID	RA03350XXXXXX	-
6	Ingenico 3010 PIN Pad	M05136AXXXX	M01755AXXXX
Not Shown			
-	VeriFone Everest RFID Sled	PA033522EMV1	PA033522XXXX
-	VeriFone Kit SC5000 for BP Amoco®	M05234AAMC1	-

Axiohm Printers



Description	Current Part	Previous Part	Where Used
4774 Slip Printer	PA03130000000	PA02540000000	A, B
4711 Journal Receipt Slip Printer, 115 V	PA03130010000	PA02540010000	A, B, C
4410 Slip Printer	-	PA02091000	B
Supplies (4774, 4711, 4414, and 4411)			
• Purple Ribbon Cartridge	Q13267-02	-	A, B, C
• Power Supplies (4774 and 4711)	Q13267-07	-	A, B, C
Supplies (4711 and 4411)			
• One-ply Roll Paper, Case of 48 rolls	Q13267-03	-	A, B, C
• Two-ply Roll Paper, Case of 45 rolls	Q13267-04	-	A, B, C
• Paper Return Mandrel (4711)	Q13267-06	-	A, B, C
• A793 Receipt, Thermal (Obsolete)	-	PA03300000 PA03430000	A
• Paper, Thermal Receipt Printer	Q13541-01	-	A

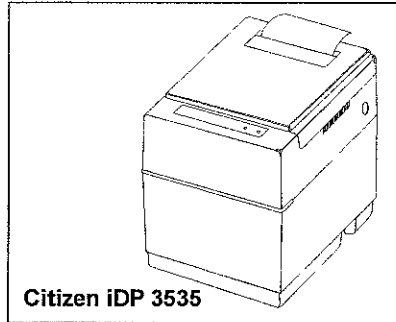
Where Used Key:

A=G-SITE

B=Passport

C=TS-1000

Citizen Receipt Printer

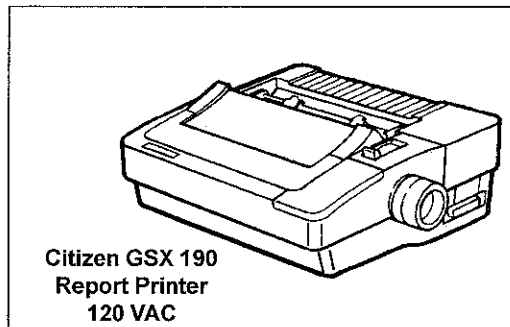


Description	Current Part	Previous Part	Where Used
Citizen IDP 3535	PA03080000	-	A
Supplies (Citizen IDP 3535)			
• Printer Ribbon	Q13176-02	-	A
• Printer Paper, One-ply, 60/ctn.	Q12654-03	-	A
• Printer Paper, Two-ply, 50/ctn.	Q12654-04	-	A
• Journal Takeup Autowinder	Q13176-01	-	A

Where Used Key:

- A=G-SITE
- B=Passport
- C=TS-1000

Citizen Report Printer



Description	Current Part	Previous Part	Where Used
Citizen Report Printer, 120 VAC (Serial and Parallel)	PA02860101	PA02860000	A, B
Supplies (Citizen Report Printer)			
• Printer Ribbon Cartridge (not shown)	Q12687-02	-	A, B
• Printer Serial Interface Module (not shown)	Q12687-03	-	A, B

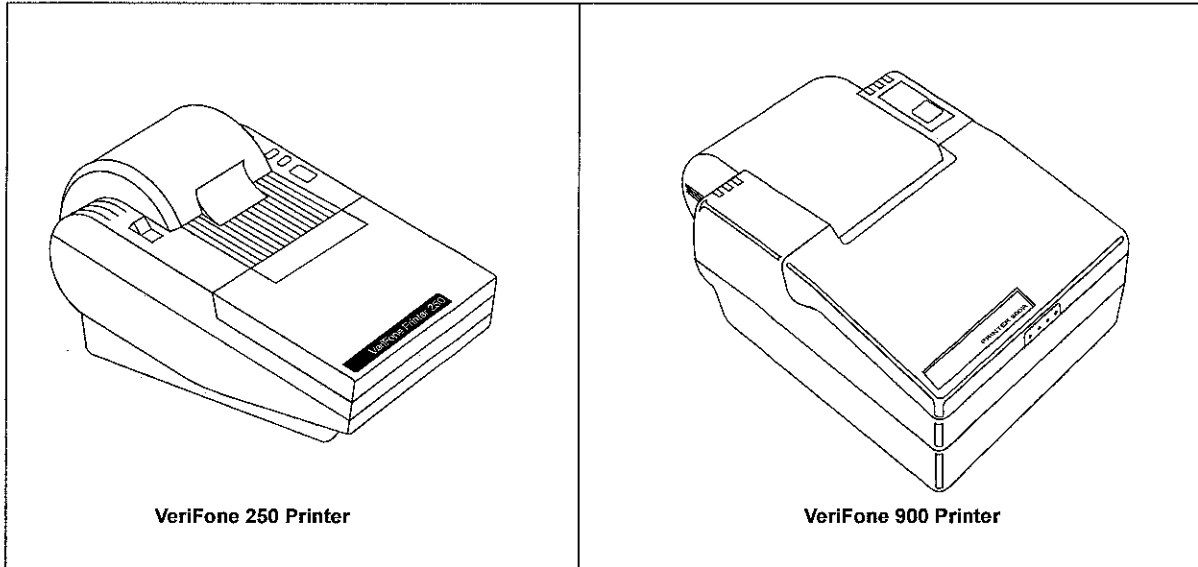
Where Used Key:

A=G-SITE

B=Passport

C=TS-1000

VeriFone Printers



Description	Current Part	Previous Part	Where Used
VeriFone 900 Roll Printer (cannot use with TCR-15)	PA03140000	-	A
Supplies (VeriFone 900)			
• Printer Ribbon	Q13268-01	-	A
• Printer Paper, One-ply, 60/ctn.	Q12654-03	-	A
• Printer Paper, Two-ply, 50/ctn.	Q12654-04	-	A
• Printer Power Supply	Q13268-03	-	A
• Printer only	Q13268-02	-	A
• Cable, Printer to Console (PC G-SITE System)	Q13268-04	-	A
VeriFone P250 Receipt Roll Printer	PA02720000	-	B
Supplies (VeriFone P250)			
• Printer Ribbon (Purple)	Q12654-02	-	B
• Printer Paper One-ply, 60/ctn.	Q12654-03	-	B
• Printer Paper Two-ply, 50/ctn.	Q12654-04	-	B
• Printer Power Supply only	Q12654-09	-	B
• Printer only	Q12654-08	-	B
• Cable, Printer to Console (TCR-15 System)	Q12654-01	-	B
• Paper Spindle	Q12654-05	-	B

Where Used Key:

A=G-SITE

B=Passport

C=TS-1000

External Cable Assemblies (T-15, C-15, and C-2)

Description	Current Part	Previous Part
Distribution Box to Controller		
• 6 feet	-	-
• 16 feet	-	R17963-02
• 25 feet	R17963-01	-
• 50 feet	R17963-04	-
• 100 feet	R17963-05	-
• 200 feet	R17963-07	-
• 300 feet	R17963-08	-
TCR-15 to Controller (J201), Standard Connector		
• 150 feet	K93693-02	-
Gender Changer (Obsoleted)	-	Q11699-04
Adapter Cable (Manager Monitor for C-15 only)	-	-
VeriFone P250 Roll Printer (PA02720000) to TCR-15, 6'	Q12654-01	-
RS-232 Line Booster	Q13241-102	Q12695
Axiom DH PA0313 Printer to TCR-15 Gender Mender	Q13180-30B	-
Modem to Controller		
• 10 feet	Q11542-33	-
• 50 feet	Q11542-65	-
• 100 feet	Q11542-61	-
• 150 feet	Q11542-62	-
Modular Cable, 8-pin to 8-pin DeMark to Modem	Q13102-01	-
Remote PC Cable		
• 50 feet	Q11542-36	-
• 150 feet	K93693-01	Q11542-69
Price Sign to Controller, 50 feet	Q11542-37	-
Controller to Tank Monitor		
• 25 feet	Q11542-40	-
• 50 feet	Q11542-41	-
Customer Display Splitter Cable (for Security System Connection)	Q11542-60	-
Controller to Citizen Serial Report Printer		
• 50 feet	Q11542-77	-
• 100 feet	Q11542-78	-
• 175 feet	Q11542-81	-
C-15/C-2 to Gilbarco Security Module, 15'	-	-
TCR-15 PC Adaptor		
• 1 feet	Q11542-74	-
• 5 feet	Q11542-79	-
TCR-15 Techlink PIN Pad Adaptor, 5'	-	Q11542-75

Description	Current Part	Previous Part
G-SITE System to Ryko Car Wash		
• 50 feet	Q11542-76	-
• 100 feet Pull Ring Type	K93693-06	-
• 150 feet Pull Ring Type	K93693-07	-
Ryko to United Car Wash Adaptor Cable	Q11542-80	-
Manager Monitor, Coaxial		
• 6 feet	Q12214-01	-
• 20 feet	Q12214-02	-
• 50 feet	Q12214-03	-
TCR-15 Video/Signal Cable Kit, Pull Ring Type		
• 150 feet	K93693-02	-
• 300 feet	K93693-03	-
• 400 feet	K93693-04	-
• 500 feet	K93693-05	-
• 200 feet	K93693-08	-
• 250 feet	K93693-09	-
• 300 feet	K93693-10	-
Modem Cable, Pull Ring Type, 150 feet	K93693-11	-

7 – Miscellaneous Cables

Power Cord Assemblies

Description	Current Part	Previous Part
115 VAC	Q11121-01	-
230 VAC	Q11736-02	-
230 VAC, Europe only	Q11121-03	-
115 VAC (Shielded)	Q11121-02	Q11121-01
230 VAC (Shielded)	Q11736-03	Q11121-02 Q11736-02
230 VAC, Europe only (Shielded)	Q11121-05	Q11121-03