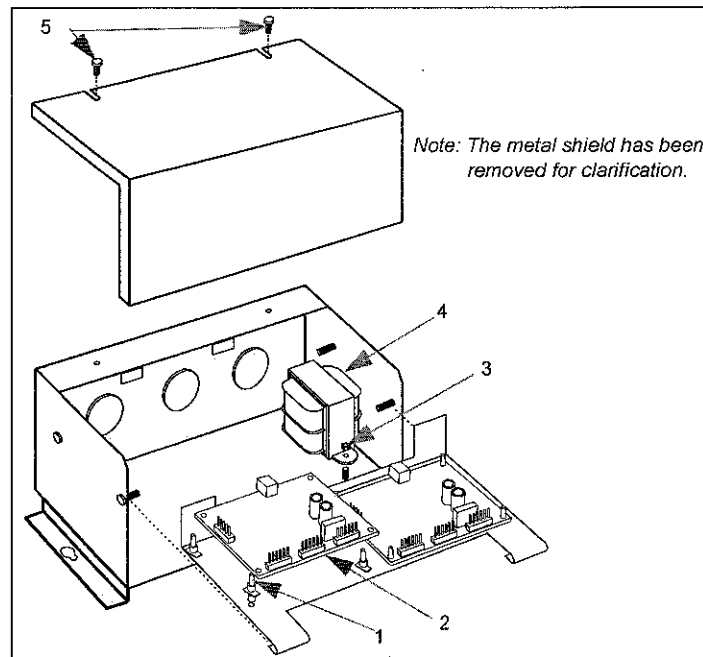
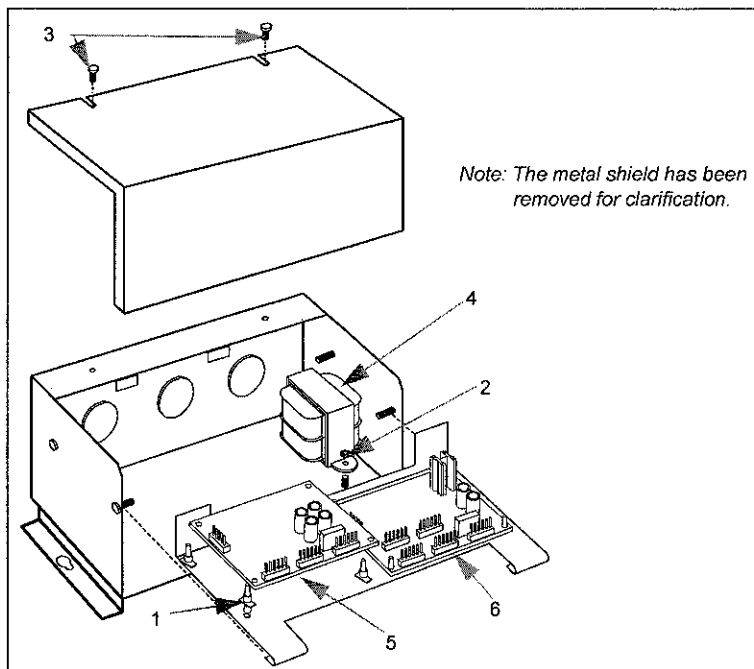


PA0306 Distribution Box



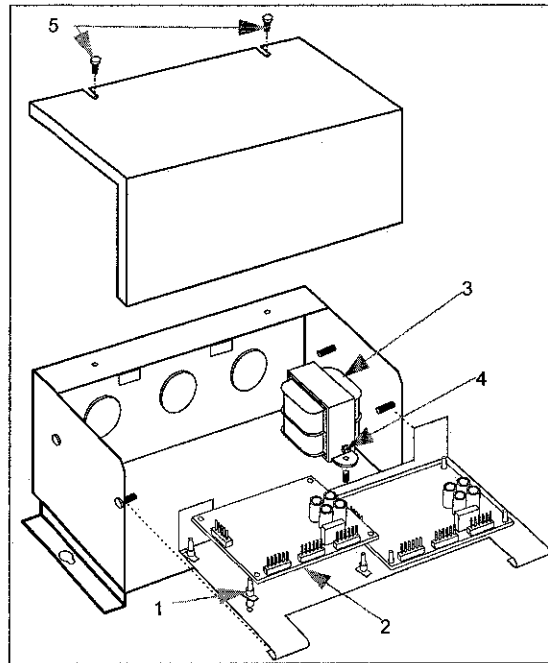
Item	Description	Current Part	Previous Part	Quantity
1	Circuit Board Support 1/4-inch	Q10651-02	-	8
2	Distribution Box PC Board Assembly	T19547-G1	-	2
	Expansion Kit (includes PC Board, Cables, Hardware for Upgrades)	K94188	-	None
3	Nut, Keps #6-32	Q12068-52	-	3
4	Transformer, 115/230 VAC			
	• without Fuse	Q12150-01	-	1
	• with Fuse	Q12150-02	-	1
5	Screw, #6-32 X 1/4 inches	Q11270-32	-	2
Internal Cable Assemblies (not shown)				
-	Cable Assembly, J101/Transformer	R19250-G2	-	1
-	Cable Assembly, Expansion Board	R19262-G1	-	1
-	Cable Assembly, Power Input/Transformer			
	• 115 VAC, with Fuse	R20206-G7	-	1
	• 115 VAC, without Fuse	R20206-G3	-	1
	• 230 VAC with Fuse	R20206-G8	-	1
	• 230 VAC without Fuse	R20206-G4	-	1
-	Primary Wire Shield Bracket	R20423-01	-	1
-	Fuse	Q12682-01	-	-

PA0338 Competitive Distribution Box



Item	Description	Current Part	Previous Part	Quantity
1	Circuit Board Support, 1/4-inch	Q10651-02	-	8
2	Nut, #6-32	Q12068-52	-	3
3	Screw, #6-32 X 1/4 inches	Q11270-32	-	2
4a	Transformer 115 V	R20422-G3	-	1
4b	Transformer 230 V	R20422-G4	-	1
Internal Cable Assemblies (not shown)				
-	Expansion Board Power Cable Assembly	R19262-G2	-	1
-	Field Wiring Pigtails for Dispensers	R19263-G1	-	6
-	Primary Wire Shield Bracket	R20423-01	-	1
-	Fuse, Power Entry Module	Q12682-01	-	1
Distribution Box Board Assemblies for PA0338X000 (For use with Wayne)				
5	Two-wire Distribution Box PCA	T19547-G1	-	1
6	RS-485 Distribution Box PCA	T20488-G2	-	1
Distribution Box Board Assemblies for PA0338X001 (For use with Tokheim)				
5	Three-wire Distribution Box PCA	T20636-G1	-	1
6	RS-485 Distribution Box PCA	T20488-G2	-	1
-	C-PAM Cable Assembly (not shown)	R20003-G1	-	1

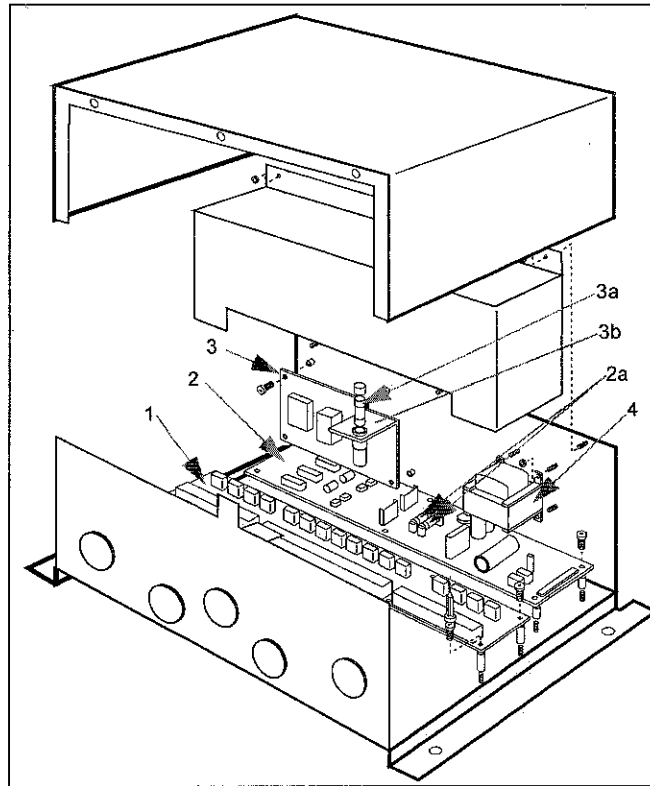
PA0261 Universal Distribution Box



Item	Description	Current Part	Previous Part	Quantity
1	Circuit Board Support, 1/4-inch	Q10651-02	-	8
2	Distribution Box Board Assembly	T17651-G1	-	2
	Expansion Kit (includes PC Board, Cables, Hardware for Upgrades)	K93717	-	None
3	Transformer, 115/230 VAC, without Power Entry Module Fuse	Q12568-01	-	1
4	Nut, #6-32	Q12068-52	-	3
5	Screw, #6-32 X 1/4 inches	Q11270-32	-	2
-	Standoff, MF 4-40 (not shown)	Q10437-07	-	4
Internal Cable Assemblies (not shown)				
-	Cable Assembly (J103, J905) RS-422 for G-SITE and TCR-15/C2 systems	R19249-G1	-	2
-	Cable Assembly (J102, J905) for Two-wire	R18810-G1	-	2
-	Expansion Board Cable Assembly	R19262-G1	-	1
-	Transformer Cable Assembly (J101)	R19250-G1	-	1
-	Cable Assembly, Power Input to Transformer			
	• 115 VAC, with Power Entry Module Fuse	R20422-G1	-	1
	• 115 VAC, without Power Entry Module Fuse	R20206-G1	-	1
	• 230 VAC, with Power Entry Module Fuse	R20422-G2	-	1
-	Transformer Jumper Cable Assembly, 230 VAC	R15634-G77	-	1
-	Field Wiring Pigtails for Dispensers	R19263-G1	-	2
-	Primary Wire Shield Bracket	R20423-01	-	1
-	Fuse, Power Entry Module	Q12682-01	-	1

PA0187 D-15 G-SITE System Distribution Box

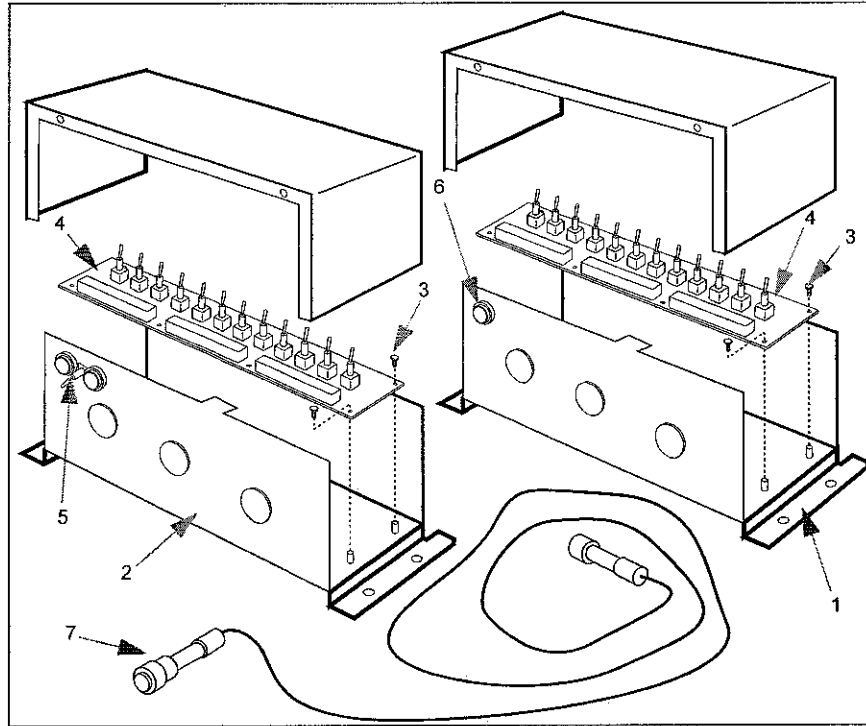
The D-15 Distribution box was replaced by the Universal Distribution Box.



Item	Description	Current Part	Previous Part	Quantity
1	Two-wire Interface PC Board Assembly	T17307-G1	T15866-G1	1
	Jumper Jacks	Q10890-01	-	16
2	Regulator/Converter PC Board Assembly (includes 2a)	-	T16508-G1	1
2a	F1, F2 Fuse 0.1 A, 125 V	Q10592-15	-	2
3	Power Supply Subassembly (includes 3a-b)	-	-	1
3a	Fuse F1 (1.25 A, 250 V Slo-blo)	Q10131-27	-	1
3b	Fuse Holder	Q11958-01	-	1
4	Transformer Assembly	-	-	1
D-15 Internal Cable Assemblies (not shown)				
-	Pump Data J107, J101	R17857-G1	-	1
-	Two-wire Interface J103, +, -	R17856-G1	-	1

PA0133 Isolation and Distribution Box Assembly

Transac 12G uses this Distribution Box.



Item	Description	Current Part	Previous Part	Quantity
1	Distribution Box Assembly, Single Console	PA01330000	-	1
2	Distribution Box Assembly, Dual Console	PA01330060	-	1
3	Screw, #8-32	Q12083-26	-	8
4	Distribution Board	T12679-G1	-	1
5	Console Switch Assembly	R17855-G1	-	1
6	Cable/Jack Assembly	R17093-G1	-	1
7	Two-wire Cable Assemblies P901, P902			
	• 11 feet	R17651-G1	-	1
	• 25 feet	-	-	1
	• 50 feet	R17651-G3	-	1
	• 75 feet	R17651-G4	-	1
	• 150 feet	R17651-G5	-	1