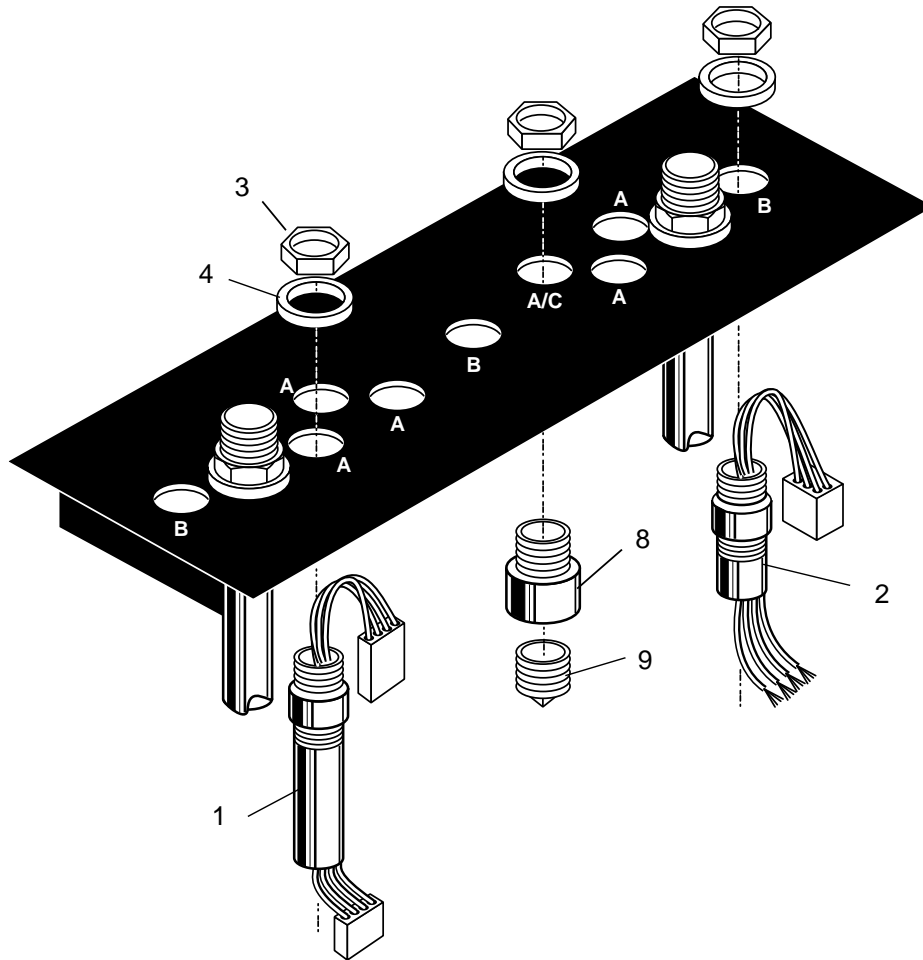


Conduit

Plate 25 Vapor Barrier • All Models



#	Part Description	Part Number	Qty.
1	I.S. Barrier Assembly, (pulser, "A" hole)	T13713-G10	*
2	I.S. Barrier Assembly, (pump handle, "B" hole)	R16419-G1	*
3	Conduit Seal Nut	K89681	*
4	Washer	N16599-65	9
5	Pump Handle I.S. Barrier Kit (includes 2-4, not shown)	K35296	-
6	Pulser I.S. Barrier Kit (Includes 1, 3 & 4, not shown)	K35297	-
7	Cable Harness, Vapor Barrier To Electronics Module (not shown)	-	1
	Three-Grade, Fixed Blender and Precision Blender	T14090	-
	Four-Grade	R18046	-
	Pro Blender	T17202-G1	-
8	Conduit Enlarger 1/2"x3/4" ("C" Hole) Precision Blender	K81090-20	1
9	Pipe Plug 3/4" Precision Blender	K02282	1

* Quantity varies with model.