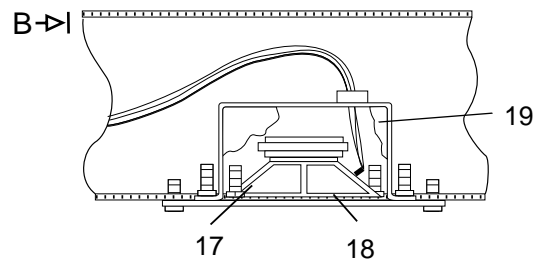
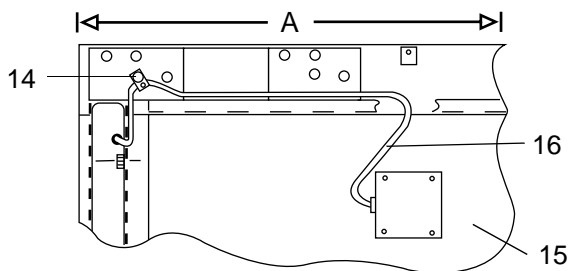
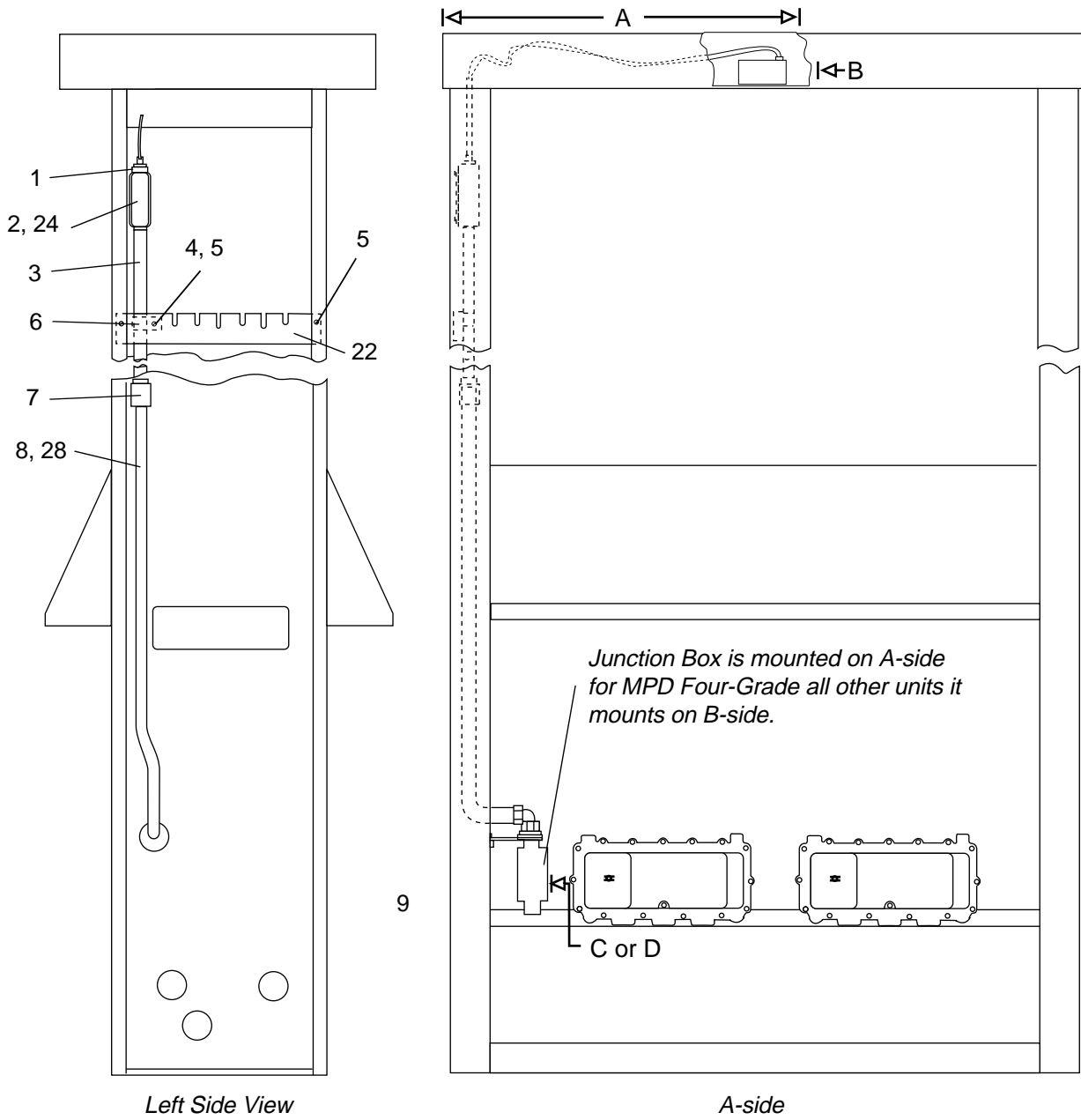
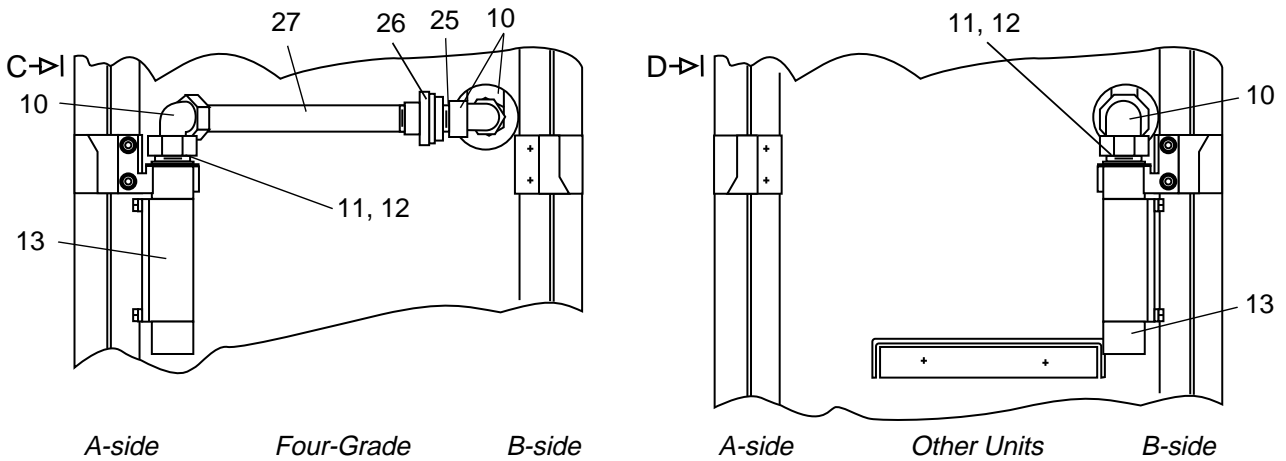


## Plate 27 Speaker Assembly • Optional All Models





#	Part Description	Part Number	Qty.
1	Box Connector	K92704	1
2	Junction Box	Q10974-01	1
3	Canopy Conduit	R16319-02	1
4	Nut 1/4-20	Q11890-04	*
5	Screw 1/4-20 x 5/8"	K11061	*
6	Tubing Clamp	K90912	1
7	Conduit Coupling	K86074	1
8	Conduit and Wire Assembly	T15637	1
9	Speaker Box Bracket	R19060	1
10	Conduit Elbow	K42428	*
11	Conduit Nipple	K43031	1
12	Conduit Lock Nut	K76434	1
13	Power Line Junction Box	K72943	1
14	Cable Clamp Kit	K88349-02	1
15	Speaker Assembly and Cover (includes 16-18)	W02269-G1	1
16	Snap Bushing	K85071-01	1
17	Speaker Assembly	R17464	1
18	Speaker Gasket	N22374	1
19	Speaker Cover	W02142-03	1
20	Cable Tie	Q10178-02	1
21	Wire Clip Bracket	K92744	1
22	Pipe Clamp Bracket	T16133	1
23	Screw 1/4-20 x 1/2"	K10232	1
24	Wire Connector	K81105-20	2
25	Conduit Nipple 1/2" x 1-1/4" Four-Grade Only	K10842	1
26	Conduit Union M/F 1/2" Four-Grade Only	Q10016-04	1
27	Speaker Conduit Four-Grade Only	R18605	1
28	Conduit and Wire Assembly Four-Grade Only	T16833-G1	1
29	Speaker Kit (includes 1-24)	K35025	-
	Speaker Kit Four-Grade Only (includes 1-28)	K35469	-

\* Quantity varies with model.