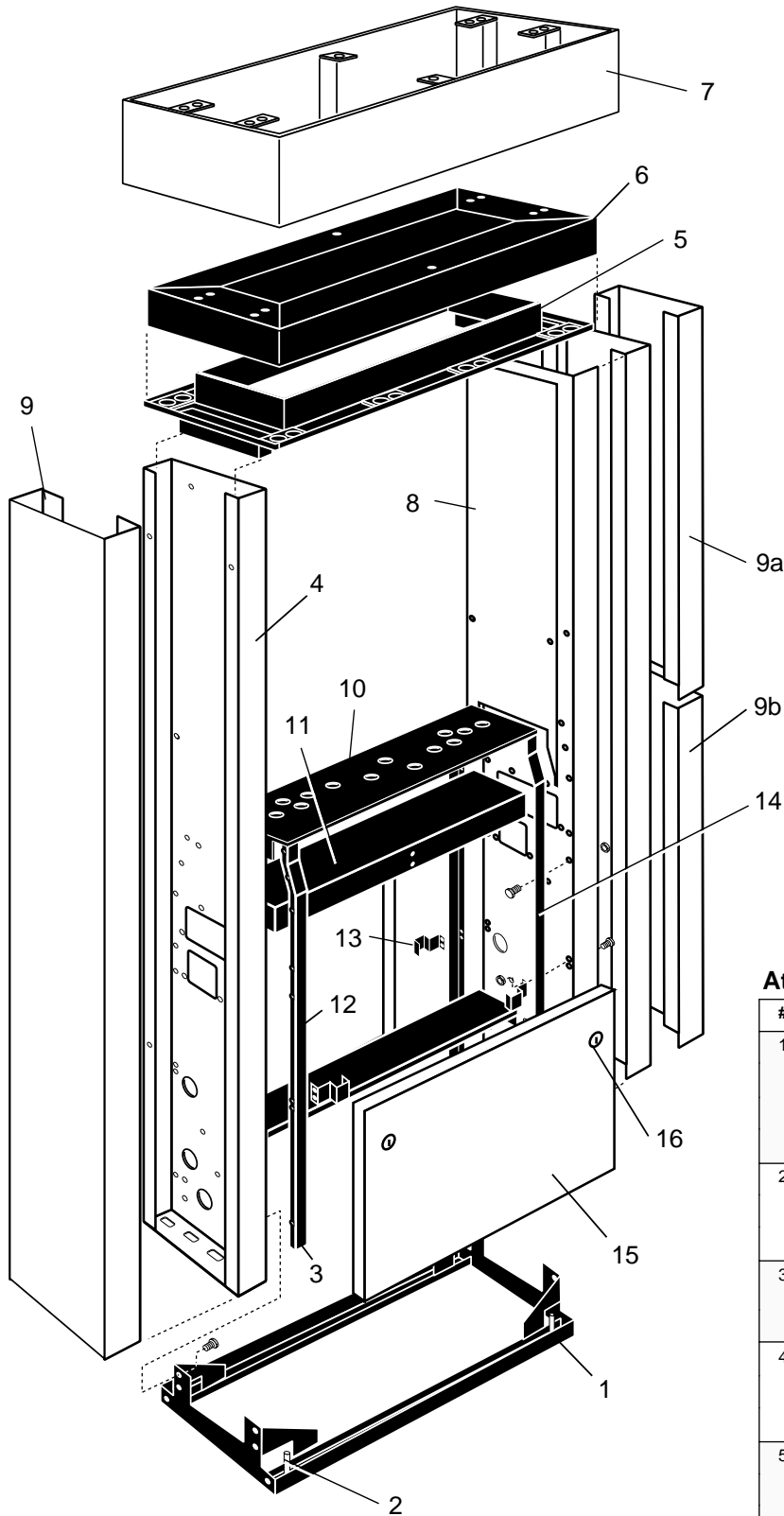


# Frame and Sheathing

## Plate 28 Frame and Sheathing • All Models



### Attaching Hardware (not shown)

#	Part Description	Part Number	Qty.
1	Sheathing To Columns:		
	Screw #10-32 x 1", Sstl.	Q11270-174	16
	Screw #10-32 x 1", Black	Q11270-274	16
	Nylon Washer	K90997	16
2	Piping Housing Cover To Columns:		
	Tee Bolt 5/16-18 x 3/4"	K83759-20	8
	Nut 5/16-18	Q11890-05	8
3	Base and Shelves To Columns:		
	Screw 5/16-18 x 3/4"	K85736-43	20
4	Reveal and Panel Lock Brackets To Columns:		
	Bolt, 1/4-20 x 3/4"	K43625	32
	Nut, 1/4-20	Q11890-04	32
5	Vapor Barrier To Column:		
	Bolt 5/16-18 x 1"	K07565	4
	Nut 5/16-18	Q11890-05	4

# Frame and Sheathing

#	Part Description	Part Number	Qty.
1	Base, Black All	T17222-G1	1
	Base, Grey All	T17222-G2	1
	Base, Black Four Grade Only	T17223-G1	1
2	Panel Locating Pin Kit	K35338	4
3	Lower Shelf, All	T17200-02	1
	Lower Shelf, Four Grade Only	T16268	1
4	Column	T17196-G3	2
5	Upper Housing, All	W02568-G2	1
	Upper Housing, Four Grade Only	W02568-G6	1
	Upper Housing, 17"	W02601	1
6	Piping Housing Cover, Black	T14096-15	1
	Piping Housing Cover, Grey	T14096-16	1
	Piping Housing Cover, 17" Black	W02542	1
7	Canopy Kit (includes canopy, sides and hardware) *	K34801-XX	-
8	Sheathing, Sstl., Inner	T16662-01	2
	Sheathing, Black, Inner	T16662-02	2
9	Sheathing, Sstl., Outer	T16808	2
9a	Sheathing, Black, Outer, Lower	T16809	2
9b	Sheathing, Black, Outer, Upper	T16810	2
	Sheathing Kit, Sstl. (includes hardware, order one per side)	K35189	-
	Sheathing Kit, Black (includes hardware, order one per side)	K35190	-
10	Vapor Barrier, All	T15937	1
	Vapor Barrier, Four Grade Only	T16131	-
	Vapor Barrier Shim	K91305	2
11	Meter Shelf, All	T17226-01	1
	Meter Shelf, Four Grade Only	T17228	-
12	Reveal Bracket (LH)	T16660-03	2
13	Panel Lock Bracket	R19074	4
14	Reveal Bracket (RH)	T16661-03	2
15	Lower Panel *	T16664-XX	1
	Lower Panel, Sstl *	T16664-G9	-
	Lower Panel, White *	T16664-G11	-
	Lower Panel, Four Grade *	T17214-XX	-
16	Lock and Key Assembly, Sstl.	K34673	4
16a	Spring (not shown)	K83382	-
16b	Spacer (not shown)	K855518	-
16c	Cam (not shown)	K83512-22	-
16d	Nylon Washer (not shown)	K83513	-
16e	Washer (not shown)	K83513-13	-
16f	Lock (not shown)	K83512-30	-
16g	Key (not shown)	K83512-25	-

\* Order entry items.

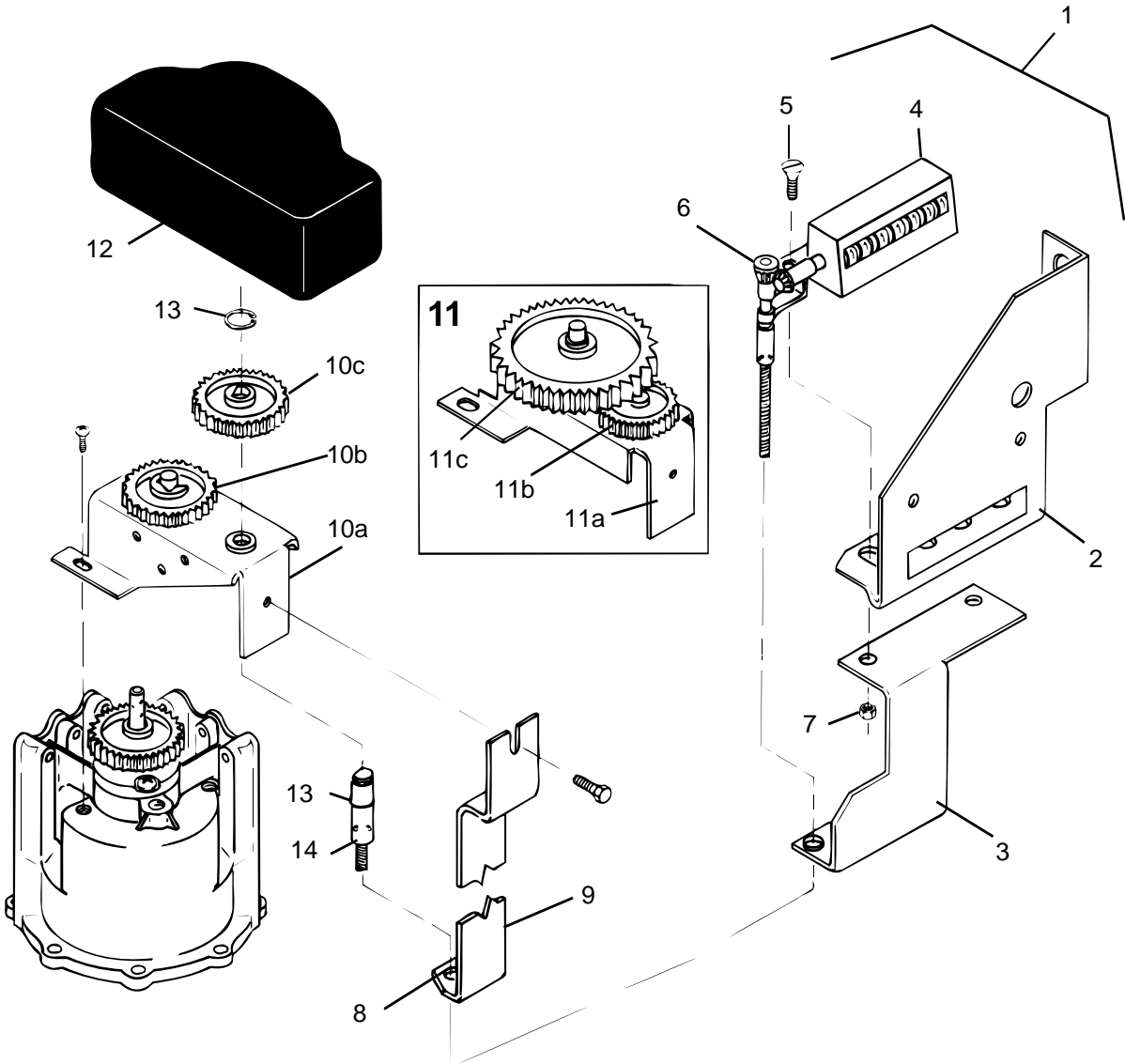
# Totalizer and Pulser

## Plate 29

### Totalizer and Pulser • All Models

Quantity shown per assembly.

One assembly per meter.



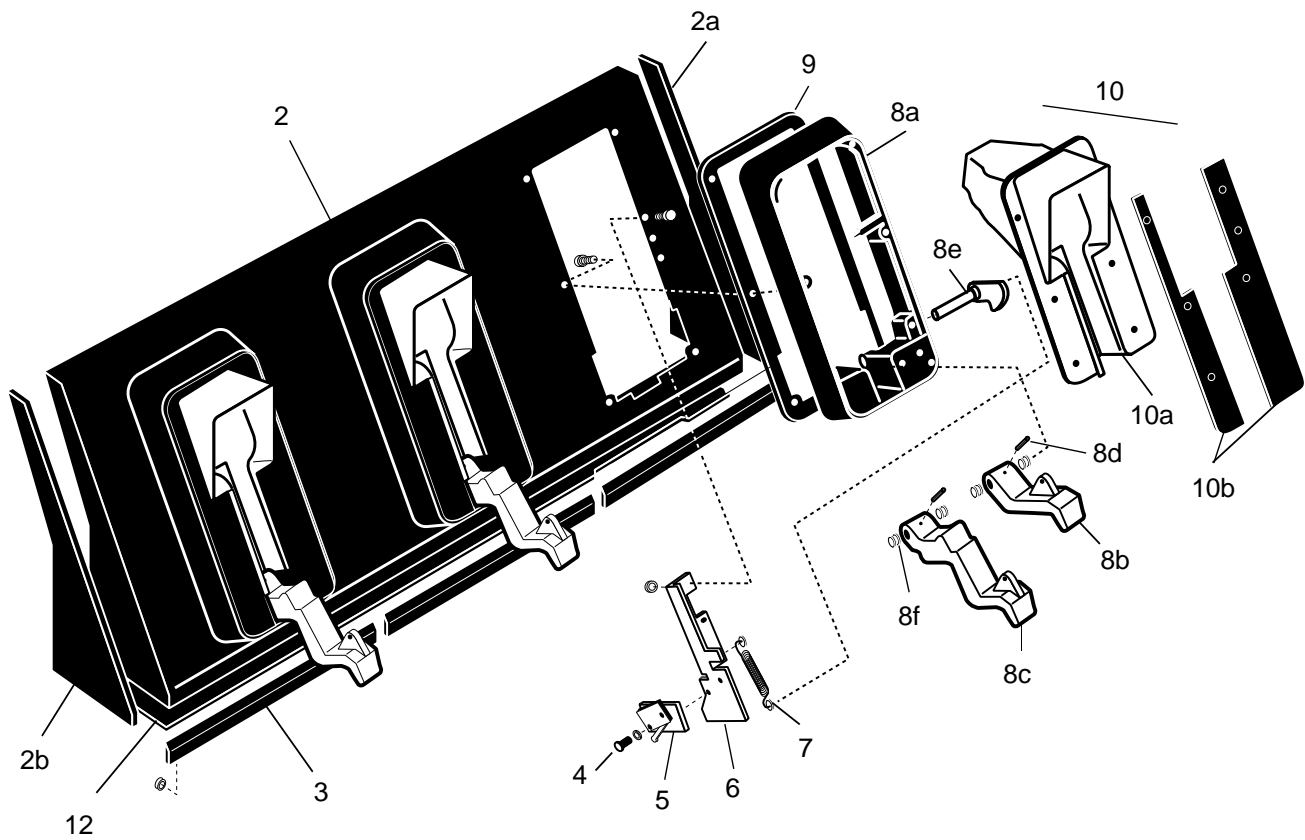
# Totalizer and Pulser

#	Part Description	Part Number	Qty.
1	Totalizer and Bracket Assembly (Includes 2-7)		
	U. S. Gallons, Blend Positions	R18572-G2	-
	U. S. Gallons, Straight Product	R18572-G1	-
	Metric, Blend Positions	R18572-G6	-
	Metric, Straight Product	R18572-G5	-
2	Totalizer Bracket		
	For -G2 and -G6 Totalizer Assembly	R18567	1
	For -G1 and -G5 Totalizer Assembly	R18568	1
3	Cable Stabilizer Bracket	N22947-01	1
4	Totalizer and Coupling Assembly, U. S. Gallons	N22948-G1	1
	Totalizer and Coupling Assembly, Metric	N22948-G2	-
5	Screw #6-32 x 1/2"	Q11270-36	1
6	Flexible Shaft	K89799-19	1
7	Nut 6-32	Q11890-01	1
8	Nyliner Bushing	K80567-31	2
9	Stabilizer Bracket	N22980	1
10	Gear and Bracket Assembly	R14856	1
10a	Bracket	N20971-01	-
10b	Gear	K88329	-
10c	Gear	K88329-01	-
11	Metric Gear and Bracket	R18739-G1	1
11a	Bracket	N22992-G1	-
11b	Gear	K88329-03	-
11c	Gear	N22953	-
12	Pulser	T18350-G1	1
13	Retaining Ring	K76238-36	2
14	Set Screw	K76707	1
15	Pulser Mounting Bracket	R17466-03	1
16	Hairpin Cotter	K77558-28	1
17	Support Bracket, Totalizer (not shown)	R19067	1
18	Support Bracket, Meter (not shown)	R18569	1
19	Gear Kit (Includes 10b-c, (not shown)	K35193	-
20	Totalizer Security Cover Kit (not shown)	K35141	-

# Putdown Assembly

## Plate 30 Putdown Assembly • All Models

MPD®-3 Three-Grade shown.



# Putdown Assembly

#	Part Description	Part Number	Qty.
1	Putdown Module (includes 2-9)	T16672-XX	2
2	Putdown Assembly, Black	T14058	2
2a	Putdown End Cap, Right Hand (not shown)	T18447	2
2b	Putdown End Cap, Left Hand (not shown)	T18448	2
3	Putdown Rubber Strip	T16830	3
4	Screw #6-32 x 1/4"	Q12083-11	*
5	Switch and Bracket Assembly	K90978	*
6	Switch Bracket	T16671	*
7	Extension Spring (with washers)	K35326	*
8	Wrapper/Nozzle Hook Assembly, Non-Vapor, Standard, Vapor Short	R18566-G1	*
	Wrapper/Nozzle Hook Assembly, Vapor Long	R18566-G3	-
8a	Wrapper Putdown Module, Aluminum	W01589-12	-
8b	Nozzle Hook, Non-Vapor, Standard, Vapor Short	R14914-13	-
8c	Nozzle Hook, Vapor, Vapor Long	R15749-11	-
8d	Groove Pin	K76071	-
8e	Switch Lever Assembly	K93400-G1	-
8f	Washer	K86601-07	-
9	Wrapper Gasket	R16318	*
10	Nozzle Boot Assembly (with Black Scuff Guards)	T16280-37	*
10a	Nozzle Boot	W01590-13	*
10b	Black Scuff Guard Set (left and right)	R19097-01	*
11	Instruction Plate	N21316-01A **	*
	Start/Stop Plate	N22079-XX **	*
12	Putdown Bottom Plate	T16821-02	2
13	Nozzle Boot Bumper (not shown)	K93413	*

\*\* Quantity varies with model.

\* Order entry items.