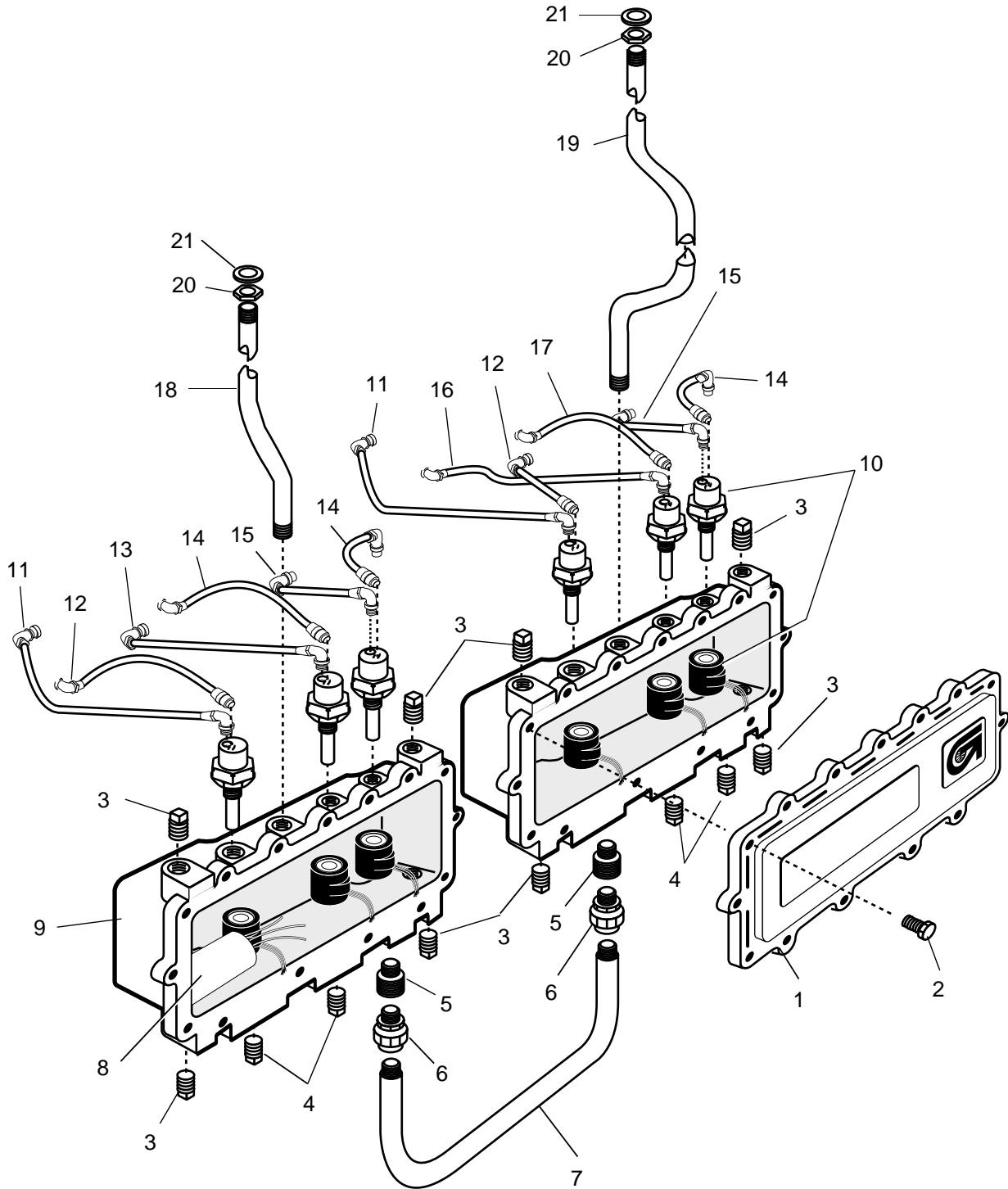


Junction Box and Conduit

Plate 21

Junction Box • MPD® Three-Grade and Fixed Blender

For VaporVac™ Parts see PT-1831 VaporVac Illustrated Parts Manual.



Junction Box and Conduit

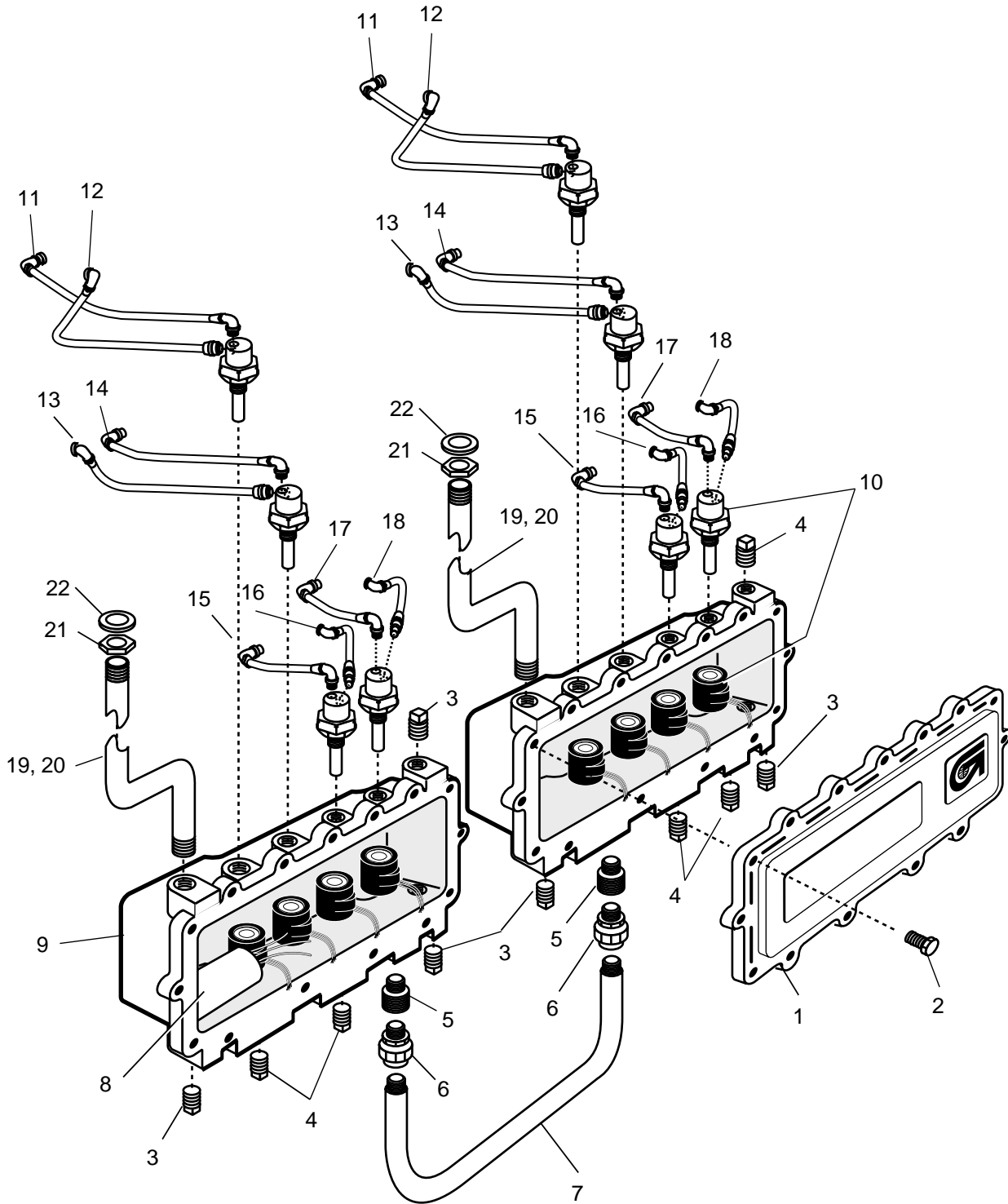
| # | Part Description | Part Number | Qty. |
|----|---------------------------------------|-------------|------|
| 1 | Junction Box Cover | W01452-10 | 2 |
| 2 | Bolt #1/4-20 x 3/4" | K43625 | 28 |
| | Junction Box Cover Kit (Includes 1-2) | K35205 | - |
| 3 | Pipe Plug 1/2" | K02281 | 8 |
| 4 | Pipe Plug 1" | K02283 | 4 |
| 5 | Reducing Bushing 1" x 1/2" | K49827-20 | 2 |
| 6 | Union | Q10016-04 | 2 |
| 7 | Conduit, Crossover | K90909 | 1 |
| 8 | Varistor Assembly, 120VAC | R15654-G2 | 1 |
| | Varistor Assembly, 220VAC | R15654-G3 | 1 |
| 9 | Junction Box | W01453-31 | 2 |
| 10 | Two Stage Pilot Valve | | 6 |
| | 115VAC | N23059 | - |
| | 220VAC | N23059-05 | - |
| | Coil Only, 110VAC | N23059-01 | - |
| | Coil Only, 220VAC | N23059-06 | - |
| | Valve Rebuild Kit | N23059-02 | - |
| 11 | Inlet Tube | N23062-G1 | 2 |
| 12 | Outlet Tube | N23063-G1 | 2 |
| 13 | Inlet Tube | N23062-G2 | 1 |
| 14 | Outlet Tube | N23063-G2 | 3 |
| 15 | Inlet Tube | N23062-G4 | 2 |
| 16 | Inlet Tube | N23062-G3 | 1 |
| 17 | Outlet Tube | N23063-G3 | 1 |
| 18 | Conduit and Wire Assembly | T16669-G2 | 1 |
| 19 | Conduit and Wire Assembly | T16669-G1 | 1 |
| 20 | Conduit Seal Nut | K89681 | 2 |
| 21 | Washer | N16599-65 | 2 |

Junction Box and Conduit

Plate 22

Junction Box • MPD® Four-Grade

For VaporVac™ Parts see PT-1831 VaporVac Illustrated Parts Manual.



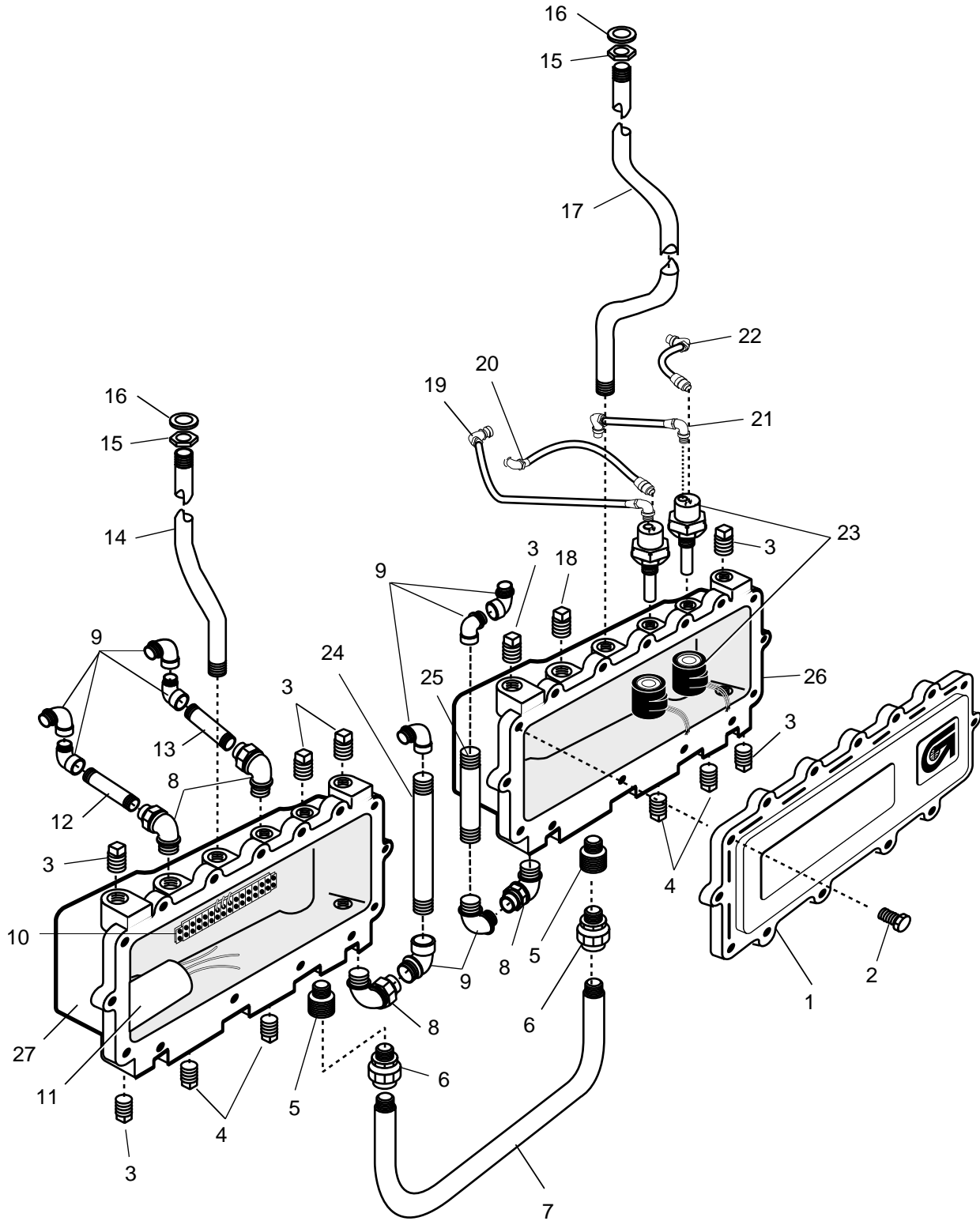
Junction Box and Conduit

| # | Part Description | Part Number | Qty. |
|----|---------------------------------------|-------------|------|
| 1 | Junction Box Cover | W01452-10 | 2 |
| 2 | Bolt #1/4-20 x 3/4" | K43625 | 28 |
| | Junction Box Cover Kit (Includes 1-2) | K35205 | - |
| 3 | Pipe Plug 1/2" | K02281 | 6 |
| 4 | Pipe Plug 1" | K02283 | 4 |
| 5 | Reducing Bushing 1" x 1/2" | K49827-20 | 1 |
| 6 | Union | Q10016-04 | 2 |
| 7 | Conduit, Crossover | K93011 | 1 |
| 8 | Varistor Assembly, 120VAC | R15654-G2 | 1 |
| | Varistor Assembly, 220VAC | R15654-G3 | 1 |
| 9 | Junction Box | W01453-31 | 2 |
| 10 | Two Stage Pilot Valve | N23059 | 8 |
| | 110VAC | N23059 | - |
| | 220VAC | N23059-05 | - |
| | Coil Only, 110VAC | N23059-01 | - |
| | Coil Only, 220VAC | N23059-06 | - |
| | Valve Rebuild Kit | N23059-02 | - |
| 11 | Inlet Tube | N22778-G1 | 2 |
| 12 | Outlet Tube | N22779-G1 | 2 |
| 13 | Inlet Tube | N22780-G1 | 2 |
| 14 | Outlet Tube | N22781-G1 | 2 |
| 15 | Inlet Tube | N22782-G1 | 2 |
| 16 | Outlet Tube | N22783-G1 | 2 |
| 17 | Inlet Tube | N22784-G1 | 2 |
| 18 | Outlet Tube | N22785-G1 | 1 |
| 19 | MPD®-1 Conduit and Wires | T16149-01 | 1 |
| | MPD®-3 Conduit and Wires | T16149-03 | 1 |
| 20 | MPD-1 Conduit and Wires | T16149-02 | 1 |
| | MPD-3 Conduit and Wires | T16149-04 | 1 |
| 21 | Conduit Seal Nut | K89681 | 2 |
| 22 | Washer | N16599-65 | 2 |

Junction Box and Conduit

Plate 23

Junction Box • MPD Pro Blender™



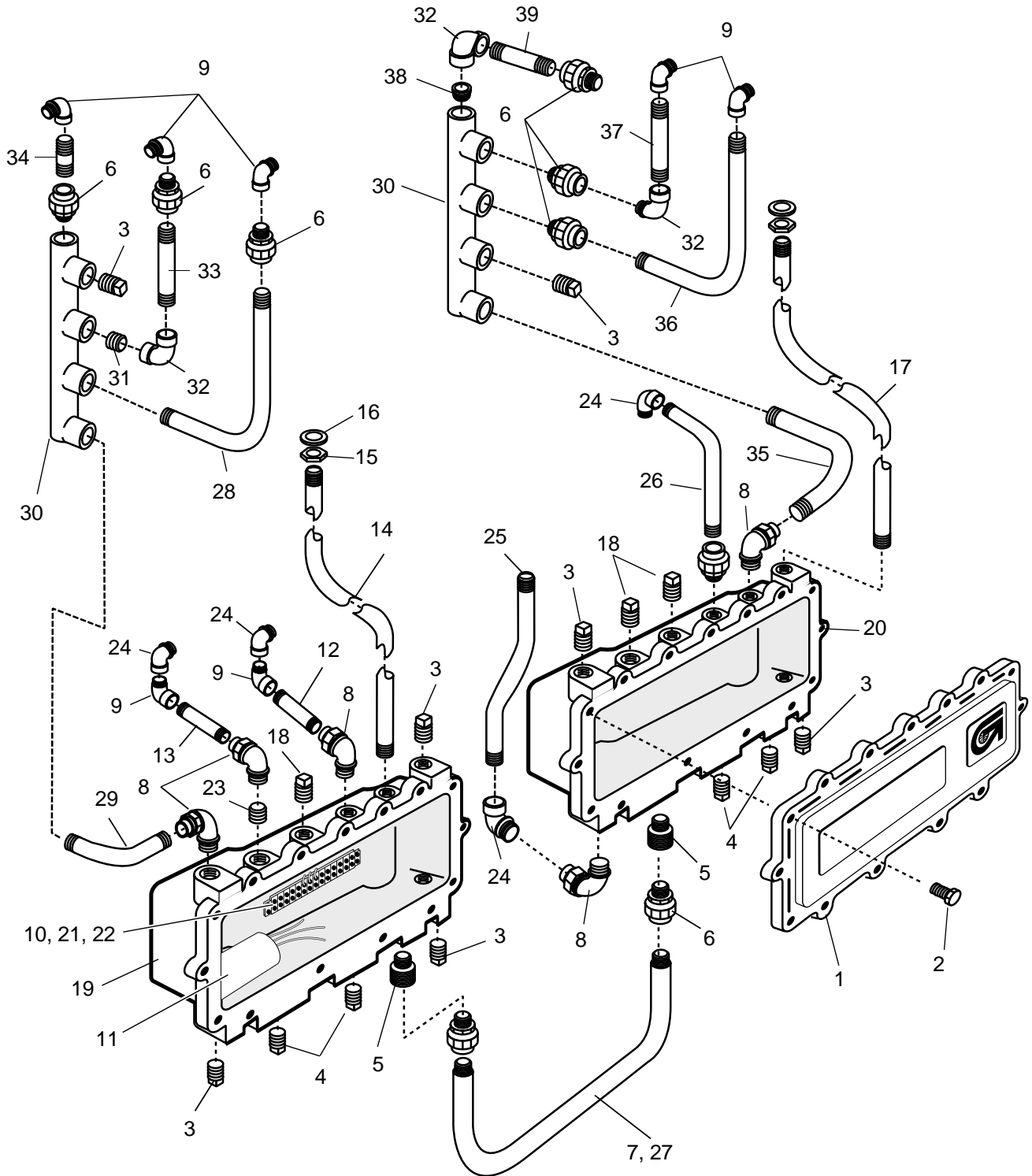
Junction Box and Conduit

| # | Part Description | Part Number | Qty. |
|----|--|-------------|------|
| 1 | Cover, Junction Box | W01452-10 | 2 |
| 2 | Bolt 1/4-20 x 3/4" | K43625 | 28 |
| | Junction Box Cover Kit (Includes 1-2, one set) | K35205 | - |
| 3 | Pipe Plug 1/2" | K02281 | 7 |
| 4 | Pipe Plug 1" | K02283 | 4 |
| 5 | Reducer 1" x 1/2" | K49827-20 | 2 |
| 6 | Union | Q10016-04 | 2 |
| 7 | Conduit, Crossover | K90909 | 1 |
| 8 | Union, Elbow 1/2" x 90° | K92564 | 4 |
| 9 | Elbow, 1/2" x 90° | K42448 | 9 |
| 10 | Terminal Strip | K92471-01 | 1 |
| 11 | Varistor Assembly, 120VAC | R15654-G2 | 1 |
| | Varistor Assembly, 240VAC | R15654-G3 | 1 |
| 12 | Nipple, 1/2" x 5-3/4" | K49221 | 1 |
| 13 | Nipple, 1/2" x 6" | K19579 | 1 |
| 14 | Conduit and Wire Assembly | T16669-G4 | 1 |
| 15 | Conduit Seal Nut | K89681 | 2 |
| 16 | Flat Washer | N16599-65 | 2 |
| 17 | Conduit and Wire Assembly | T16669-G3 | 1 |
| 18 | Pipe Plug 3/4" | K02282 | 1 |
| 19 | Inlet Tube | K93000-01 | 1 |
| 20 | Outlet Tube | K92924-02 | 1 |
| 21 | Inlet Tube | K93001 | 1 |
| 22 | Outlet Tube | K92924-01 | 1 |
| 23 | Two-Stage Pilot Valve | | 2 |
| | 110/115/120VAC | N23059 | - |
| | 220/230/240VAC | N23059-05 | - |
| | Coil Only, 115VAC | N23059-01 | - |
| | Coil Only, 230VAC | N23059-06 | - |
| | Valve Rebuild Kit | N23059-02 | - |
| 24 | Nipple 1/2" x 8-1/8" | R11976-37 | 1 |
| 25 | Nipple 1/2" x 5-1/4" | K21156 | 1 |
| 26 | Junction Box | W01453-31 | 1 |
| 27 | Junction Box | W01453-33 | 1 |

Junction Box and Conduit

Plate 24

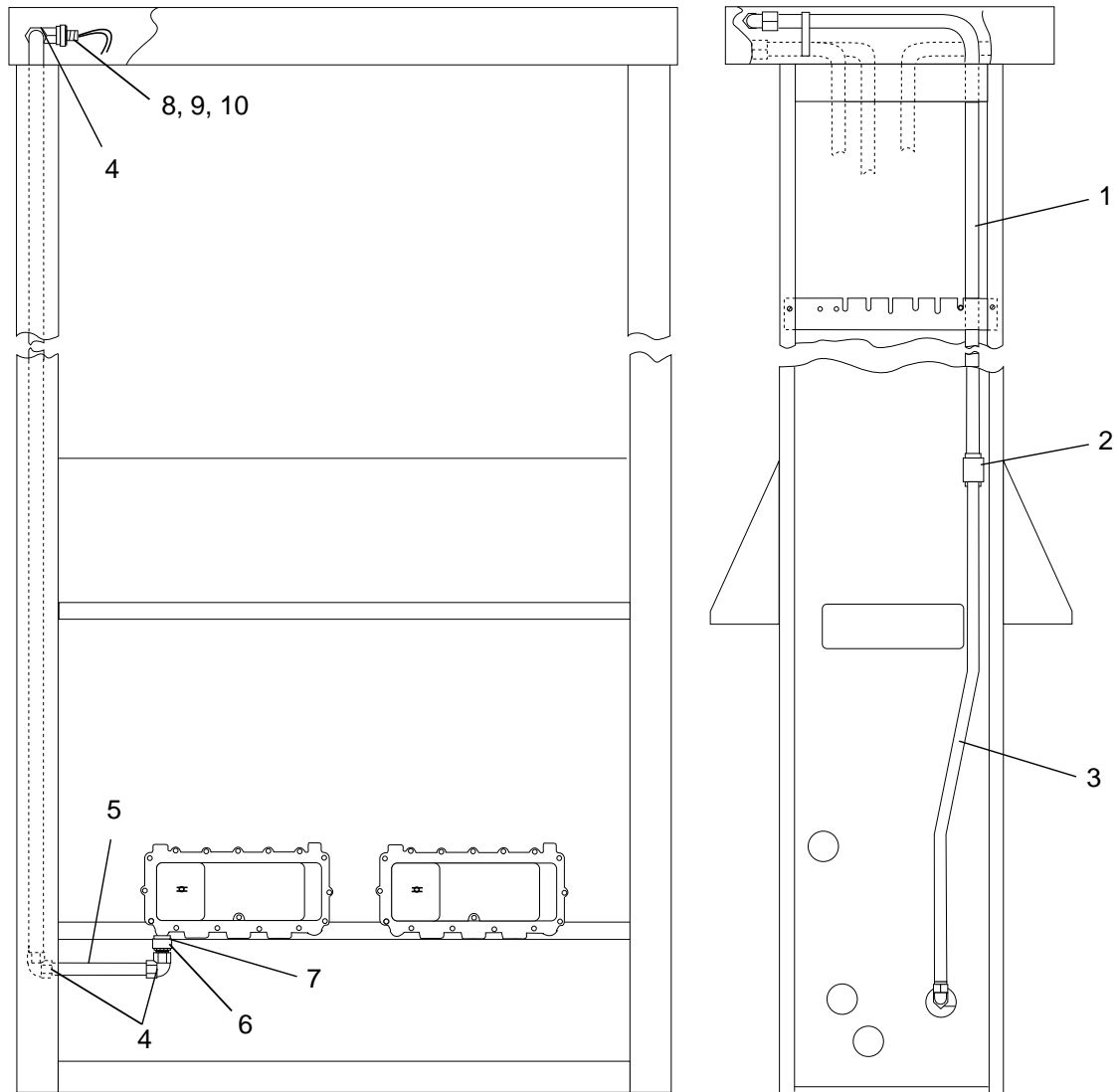
Junction Box • MPD® Precision Blender



Junction Box and Conduit

| # | Part Description | Part Number | Qty. |
|----|--|-------------|------|
| 1 | Cover, Junction Box | W01452-10 | 2 |
| 2 | Bolt 1/4-20 x 3/4" | K43625 | 28 |
| | Junction Box Cover Kit (Includes 1-2, one set) | K35205 | - |
| 3 | Pipe Plug 1/2" | K02281 | 7 |
| 4 | Pipe Plug 1" | K02283 | 4 |
| 5 | Reducer 1" x 1/2" | K49827-20 | 2 |
| 6 | Union | Q10016-04 | 8 |
| 7 | Conduit, Crossover | K90909 | 1 |
| 8 | Union, Elbow 1/2" x 90° | K92564 | 4 |
| 9 | Elbow, 1/2" x 90° | K42448 | 7 |
| 10 | Terminal Strip | K92471-01 | 1 |
| 11 | Varistor Assembly, 120VAC | R15654-G2 | 1 |
| | Varistor Assembly, 240VAC | R15654-G3 | 1 |
| 12 | Nipple, 1/2" x 5-3/4" | K49221 | 1 |
| 13 | Nipple, 1/2" x 6" | K19579 | 1 |
| 14 | Conduit and Wire Assembly | T18402-G1 | 1 |
| 15 | Conduit Seal Nut | K89681 | 2 |
| 16 | Flat Washer | T18402-G2 | 2 |
| 17 | Conduit and Wire Assembly | T16669-G3 | 1 |
| 18 | Pipe Plug 3/4" | K02282 | 3 |
| 19 | Junction Box | W01453-31 | 1 |
| 20 | Junction Box | W01453-33 | 1 |
| 21 | Lock Washer #6 | K66620 | 2 |
| 22 | Hex Nut #6-32 | K66857 | 2 |
| 23 | Reducer 3/4" x 1/2" | K49827 | 1 |
| 24 | Conduit Elbow 1/2" x 90° | K42448 | 4 |
| 25 | Conduit, Bent | N23087 | 1 |
| 26 | Conduit, 90° Bend | R12579-105 | 1 |
| 27 | Junction Box Jumper Wires | K90910-06 | 1 |
| 28 | Conduit, 90° Bend | R12579-103 | 1 |
| 29 | Conduit, 30° Bend | N23082 | 1 |
| 30 | Conduit Manifold | R17627-10 | 2 |
| 31 | Conduit Nipple 1/2" x 1-1/8" | K18775 | 1 |
| 32 | Conduit Elbow 1/2" x 90° | K42428 | 2 |
| 33 | Conduit Elbow 1/2" x 5-3/8" | K14004 | 1 |
| 34 | Nipple 1/2" x 2-1-1/2" | K50861 | 1 |
| 35 | Conduit, 52° Bend | N23083 | 1 |
| 36 | Conduit, 90° Bend | R12579-104 | 1 |
| 37 | Conduit Nipple 1/2" x 4-3/4" | K42428 | 1 |
| 38 | Conduit Nipple 1/2" x 1-3/8" | K42428 | 1 |
| 39 | Conduit Nipple 1/2" x 2-1/4" | K42428 | 1 |

Plate 26 Light Conduit • Optional All Models



| # | Part Description | Part Number | Qty. |
|----|--------------------------|-------------|------|
| 1 | Light Conduit | R12579-106 | 1 |
| 2 | Expansion Union 1/2" | N16289-21 | 1 |
| 3 | Light Conduit | T18376 | 1 |
| 4 | Elbow 90° x 1/2" | K42428 | 3 |
| 5 | Light Conduit | N23070-02 | 1 |
| 6 | Nipple 1/2" x 1-1/8" | K18775 | 1 |
| 7 | Union 1/2" | Q10016-04 | 1 |
| 8 | Conduit Nut 1/2" | K89681 | 2 |
| 9 | Flat Washer | N16599-59 | 2 |
| 10 | Nipple and Wire Assembly | R19101-G1 | 1 |