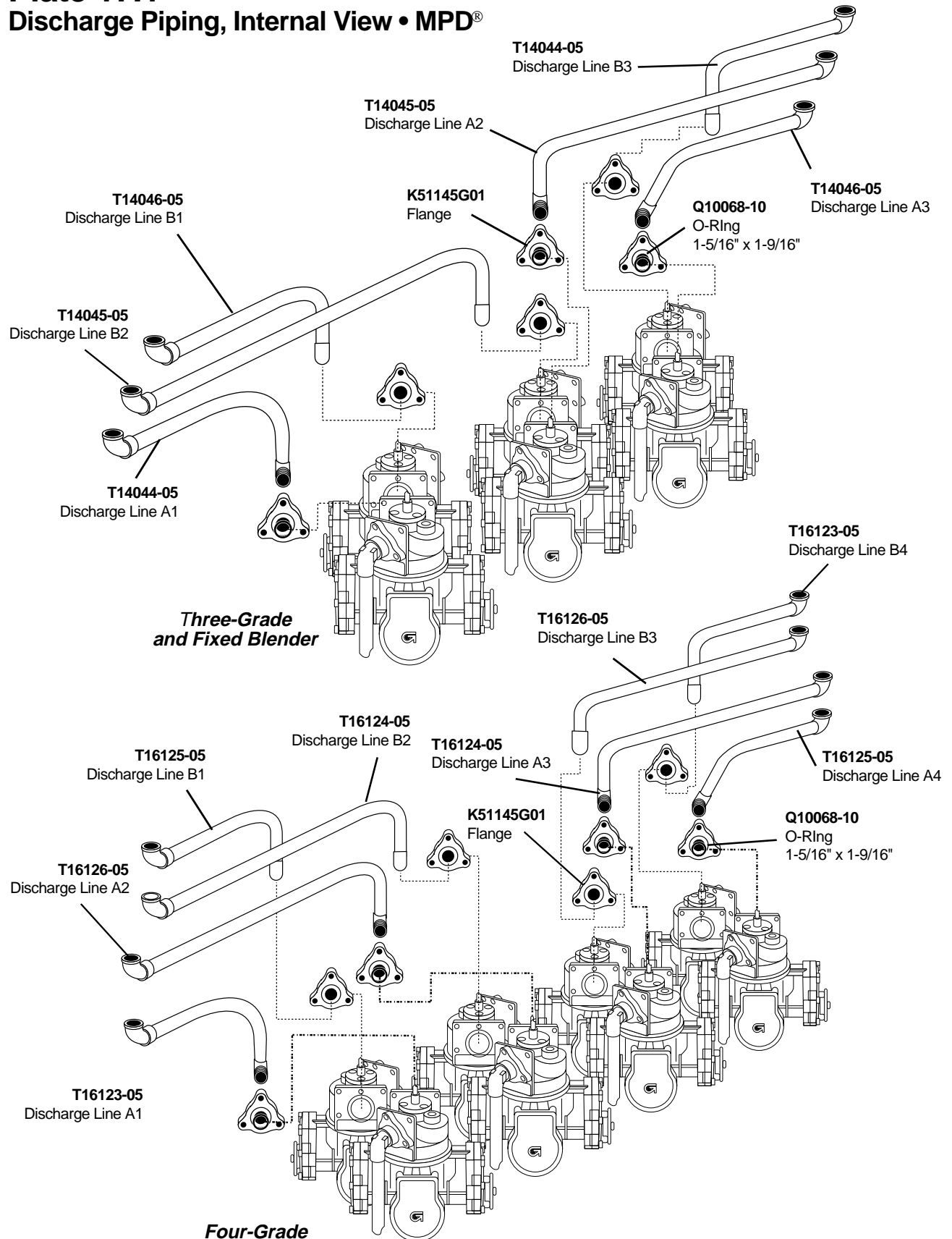


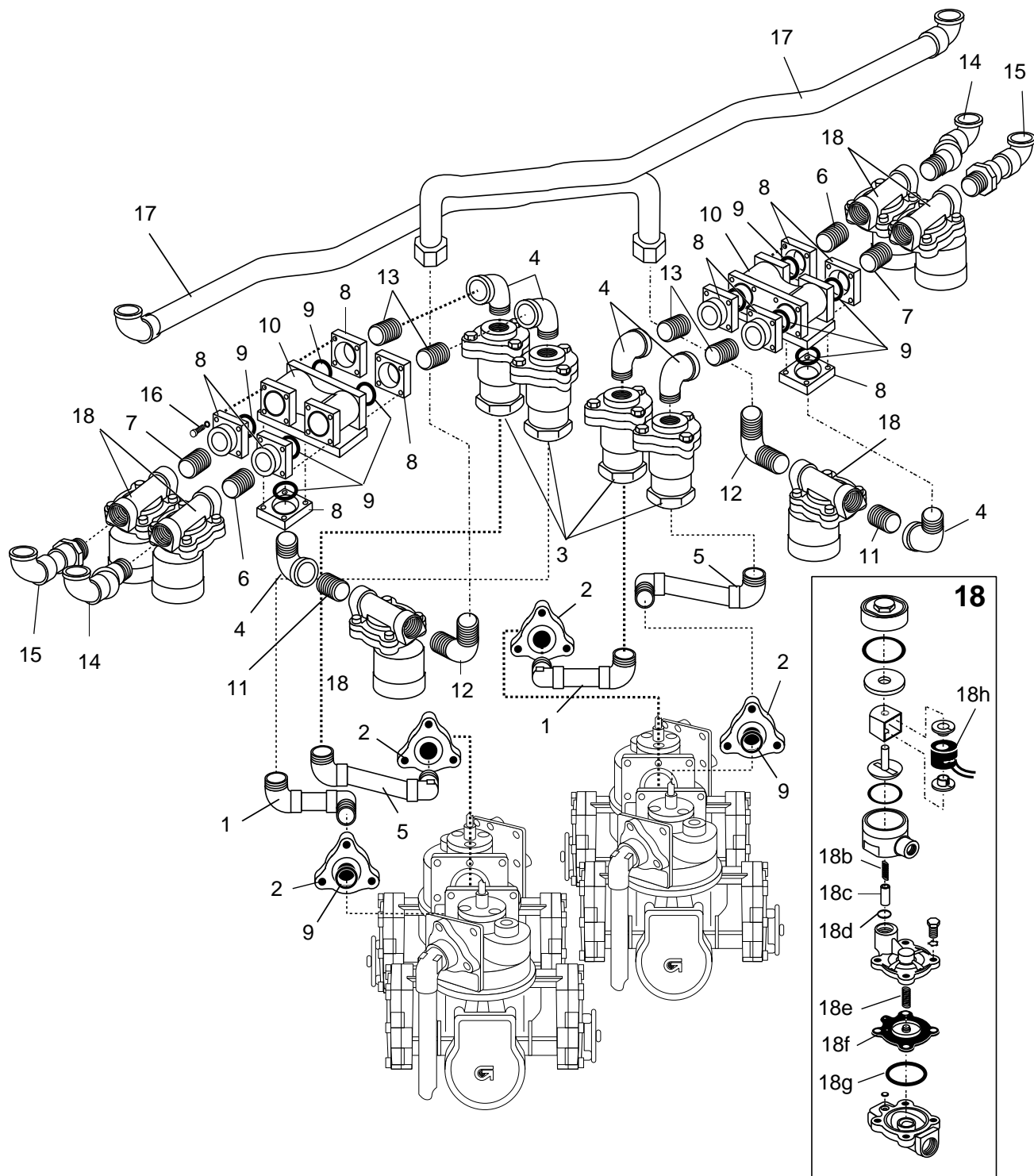
## Plate 17.1 Discharge Piping, Internal View • MPD®



# Discharge Piping

## Plate 17.2

### Discharge Piping, Internal View • MPD Precision Blender™



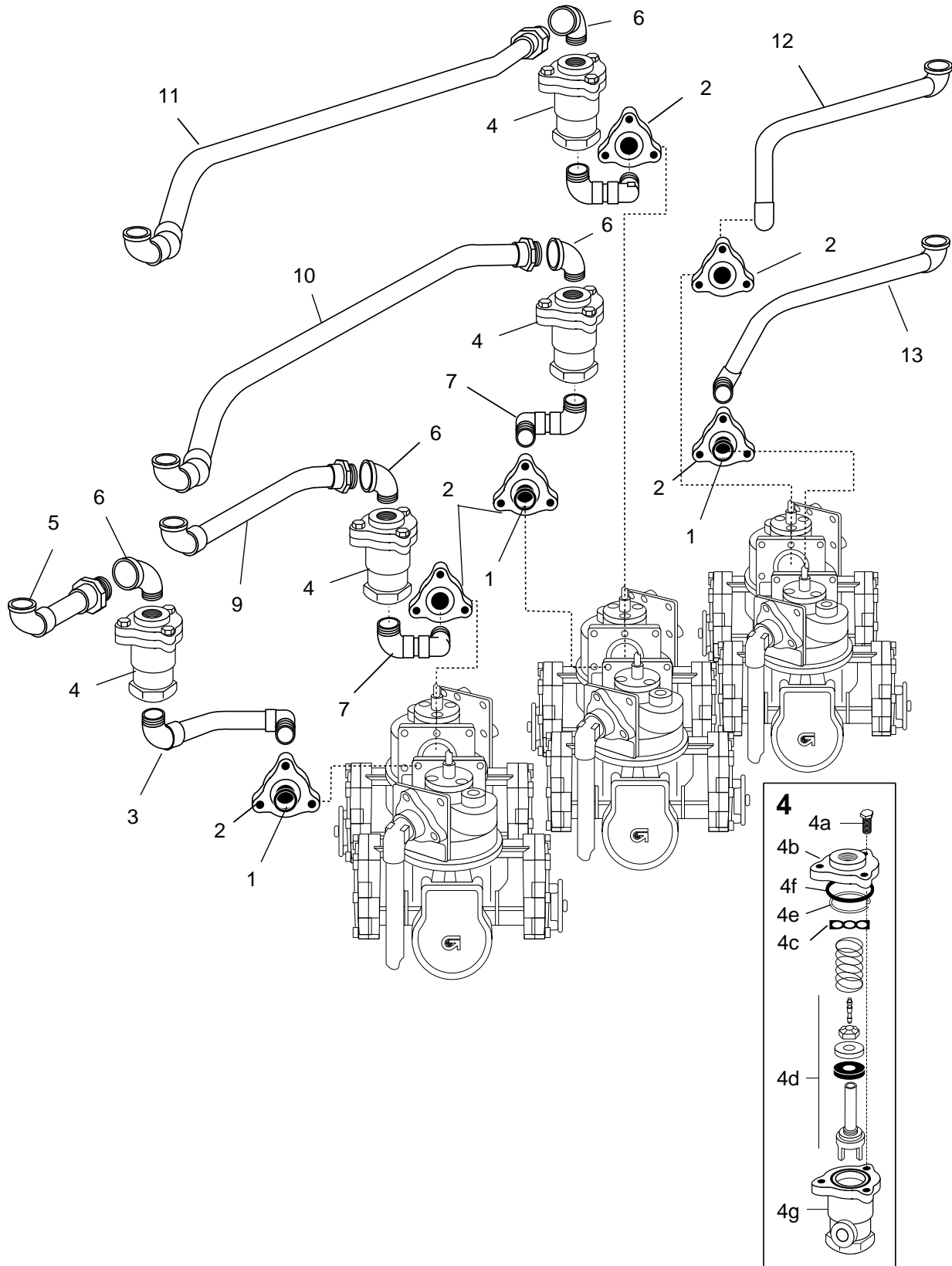
# Discharge Piping

#	Part Description	Part Number	Qty.
1	Soldered Tube	N23086-G1	2
2	Feedline Flange 3/4"	K51145-G01	4
3	Check Valve Assembly (Includes 10-16)	PA0059-03	4
4	Street Elbow 3/4" x 90°	K21703	6
5	Soldered Tube	N23085-G1	2
6	Pipe Nipple 3/4" x 1-1/4"	R11496-67	2
7	Pipe Nipple 3/4" x 2-1/8"	R11496-22	2
8	Manifold Flange	N22509-10	10
9	O-ring 1-5/16" x 1-9/16" x 1/8"	Q10068-10	10
10	Manifold Body	T18401-10	2
11	Pipe Nipple 3/4" x 1-1/2"	R11496-54	2
12	Flare Elbow 3/4" x 90°	K76203	2
13	Pipe Nipple 3/4" x 1-1/4"	R11496-67	4
14	Soldered Tube Assembly	N23088-G1	2
15	Soldered Tube Assembly	N23089-G1	2
16	Bolt 1/4-20 x 5/8"	K14831	40
17	Discharge Line	W02739-G1	2
18	Solenoid Valve, 115VAC	N21026-01	6
	Solenoid Valve, 230VAC	N21026-02	-
18a	Rebuild Kit (Includes 18b-18g)	N21026-35	-
18b	Core Spring	-	-
18c	Core	-	-
18d	Bonnet Gasket	-	-
18e	Diaphragm Spring	-	-
18f	Diaphragm Assembly	-	-
18g	Body Gasket	-	-
18h	Coil, 115VAC	N21026-20	-
	Coil, 230VAC	N21026-36	-

# Discharge Piping

## Plate 17.3

### Discharge Piping, Internal View • MPD Pro Blender™



# Discharge Piping

#	Part Description	Part Number	Qty.
1	O-ring 1-5/8" x 1-7/8" x 1/8"	Q10068-14	6
2	Flange	K51145-G01	6
3	Discharge Line (LB)	R18787-G1	1
4	Check Valve Assembly (Includes 4a-4g)	PA0059-03	4
4a	Bolt #1/4-20 x 3/4"	Q10865-02	-
4b	Valve Cap	N18390-10	-
4c	Stem Guide	K82048-22	-
4d	Check Valve	N22955-G2	-
4e	Retaining Ring	K84729	-
4f	O-ring	Q10068-16	-
4g	Valve Body	R12452-10	-
5	Discharge Line (LB)	N23024-G1	1
6	Street Elbow 90° x 3/4"	K21073	4
7	Discharge Line (HB, LA, HA)	N23023-G1	3
9	Discharge Line (HB)	R18786-G1	1
10	Discharge Line (HA)	R18788-G1	1
11	Discharge Line (LA)	R18789-G1	1
12	Discharge Line	T14046-04	1
13	Discharge Line	T14044-04	1

# Discharge Piping

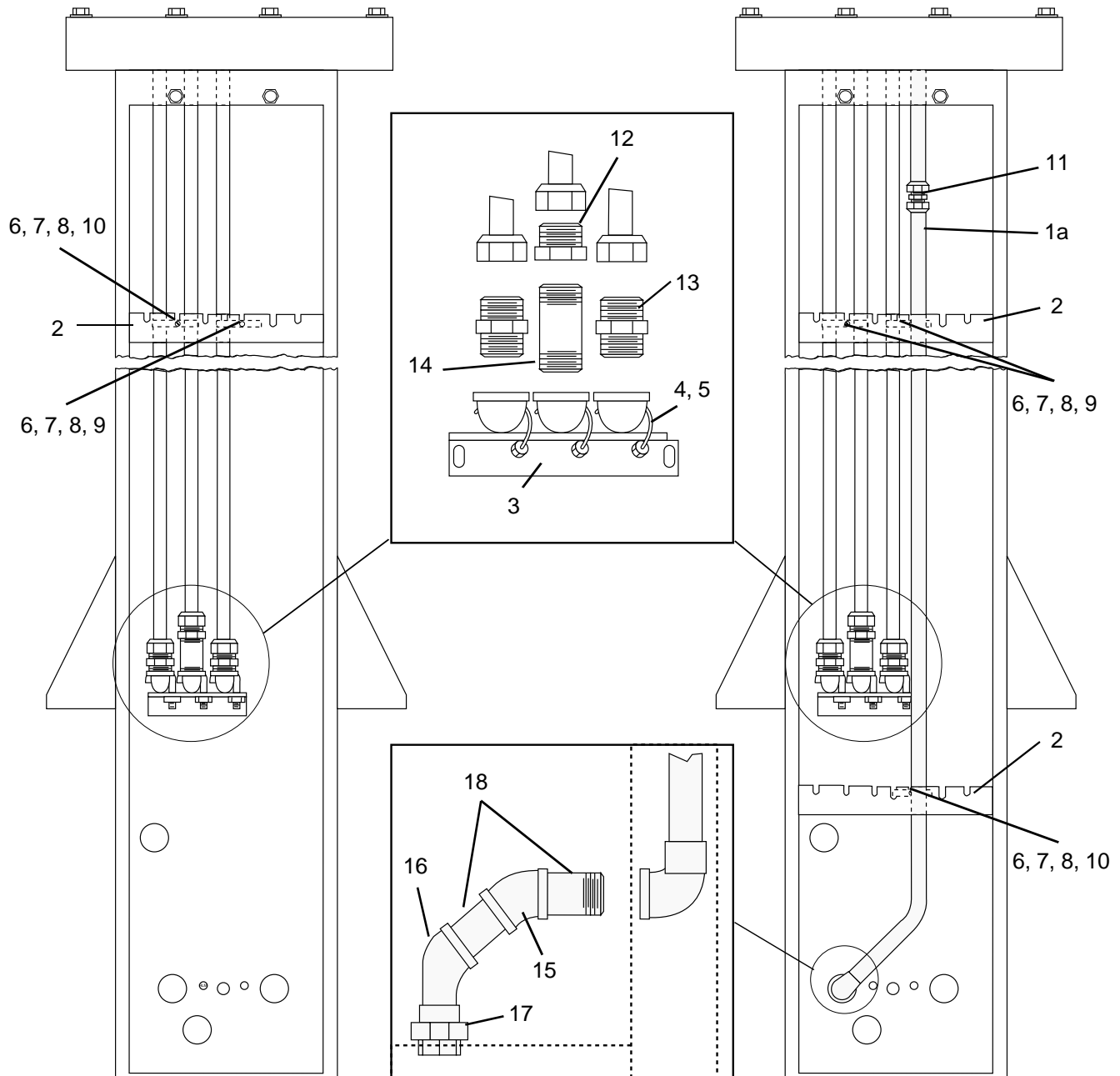
## Plate 18.1

### Discharge Piping, Side View with Vapor Piping • MPD®

Three-Grade, Fixed Blender and Precision Blender

See page 51 for Part Numbers.

For VaporVac™ Parts see PT-1831 VaporVac Illustrated Parts Manual.

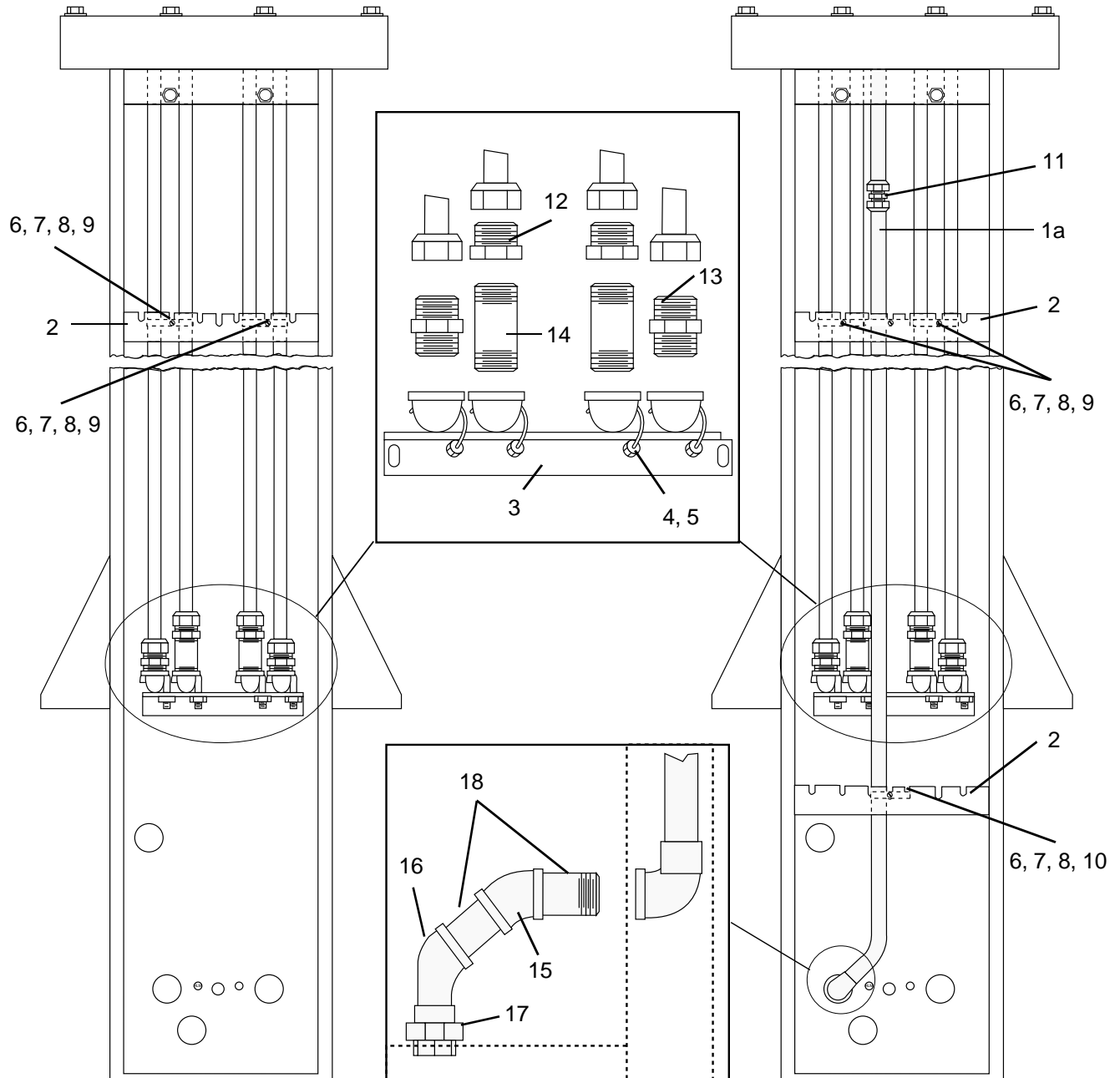


## Plate 18.2

### Discharge Piping, Side View with Vapor Piping • MPD® Four-Grade

See page 51 for Part Numbers.

For VaporVac™ Parts see PT-1831 VaporVac Illustrated Parts Manual.



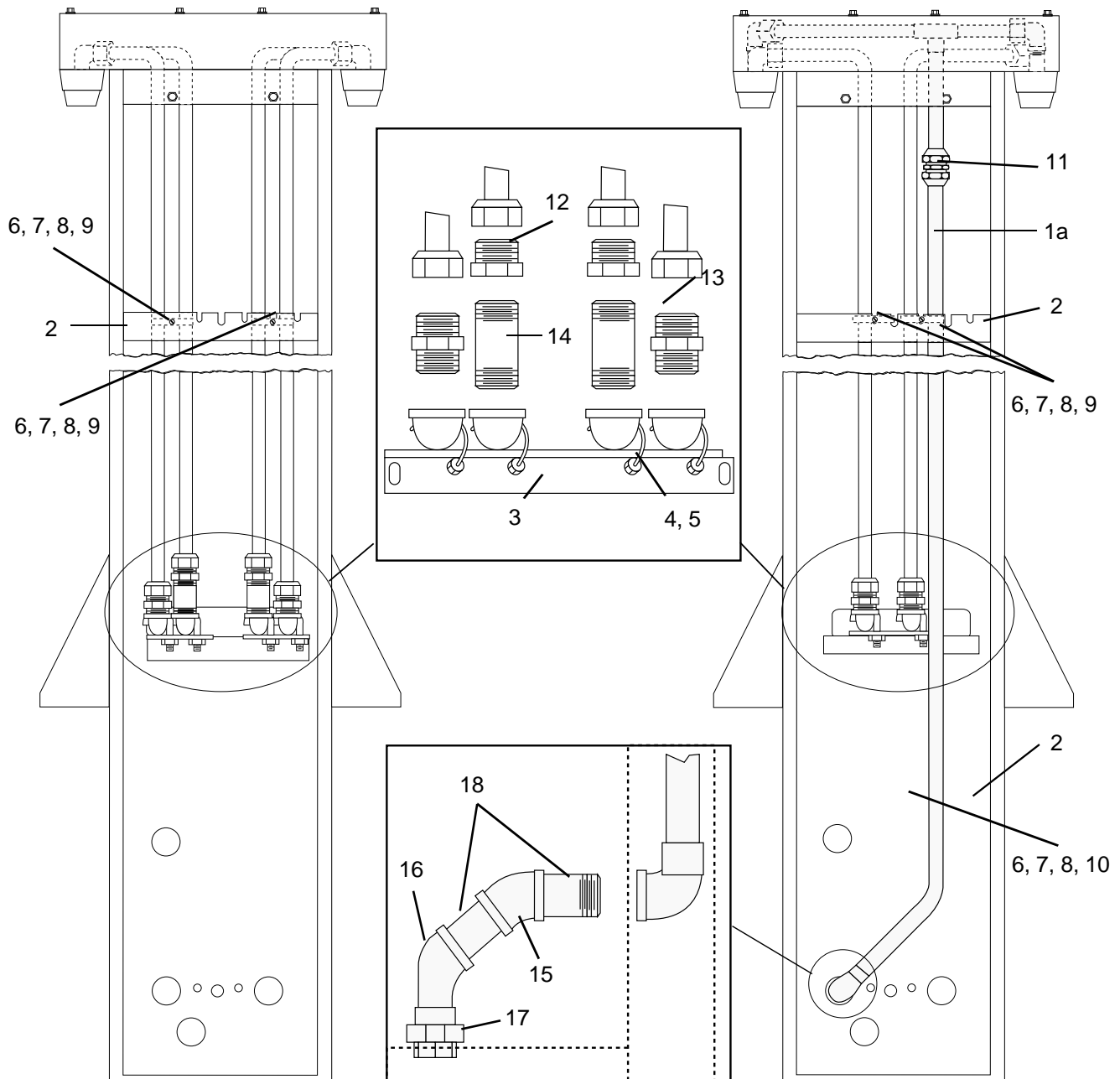
# Discharge Piping

## Plate 18.3

### Discharge Piping, Side View with Vapor Piping • MPD Pro Blender™

See page 51 for Part Numbers.

For VaporVac™ Parts see PT-1831 VaporVac Illustrated Parts Manual.



# Discharge Piping

#	Part Description	Part Number	Qty.
1a	Lower Vapor Recovery Line, Pro Blenders Only	T17265-G1	1
1b	Lower Vapor Recovery Line, All Other Units	T18335-G1	1
2	Pipe Clamp Bracket	T16133	*
3	Pipe Clamp Bracket	T16683	*
4	Clamp Hook	K90016	*
5	Hex Nut 1/4-20	Q11890-04	*
6	Flat Washer 1/4"	K14056	*
7	Screw #1/4-20 x 2"	K02447	*
8	Lock Washer 1/4"	K50773	*
9	Pipe Clamp (Dual)	K92857	*
10	Pipe Clamp (Single)	K92858	*
11	Coupling 3/4"	K93489-02	*
12	Straight Fitting	Q11858-01	*
13	Straight Fitting	K81023	*
14	Pipe Nipple 3/4" x 3"	K02956	*
15	Elbow 45° x 3/4"	K03068-21	*
16	Elbow 45° x 3/4"	K76400	*
17	Union	K07898	*
18	Nipple	R11495-34	*

\* Quantity varies with model.

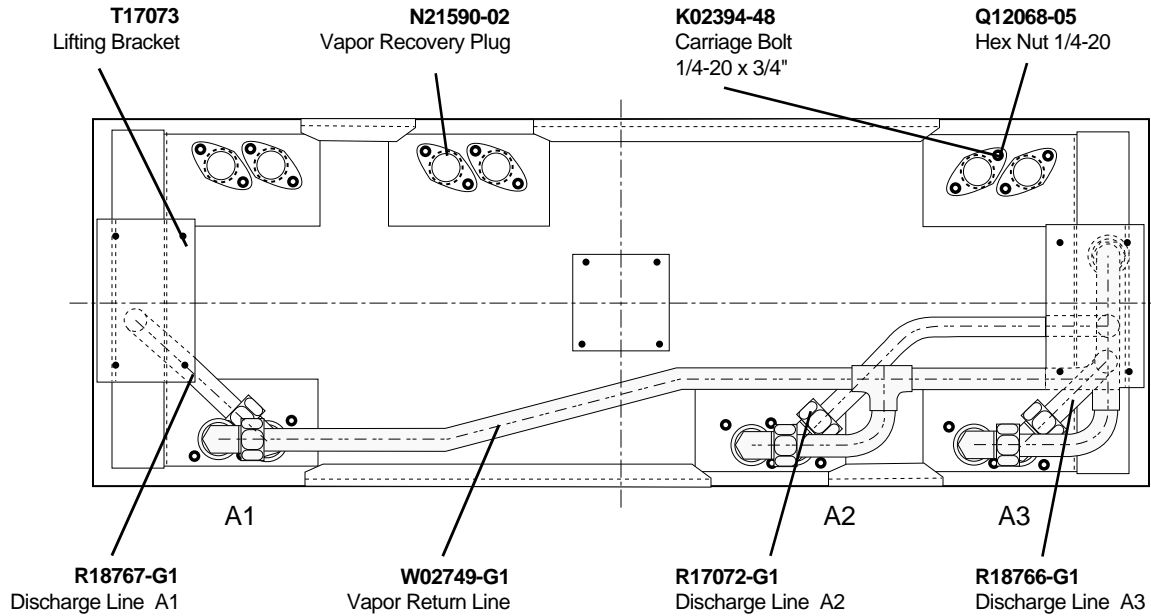
# Discharge Piping

## Plate 19.1

### Discharge Piping, Upper View with Vapor Piping • 17" Top Single Sided

MPD® Three-Grade, Fixed Blender and Precision Blender

For VaporVac™ Parts see PT-1831 VaporVac Illustrated Parts Manual.

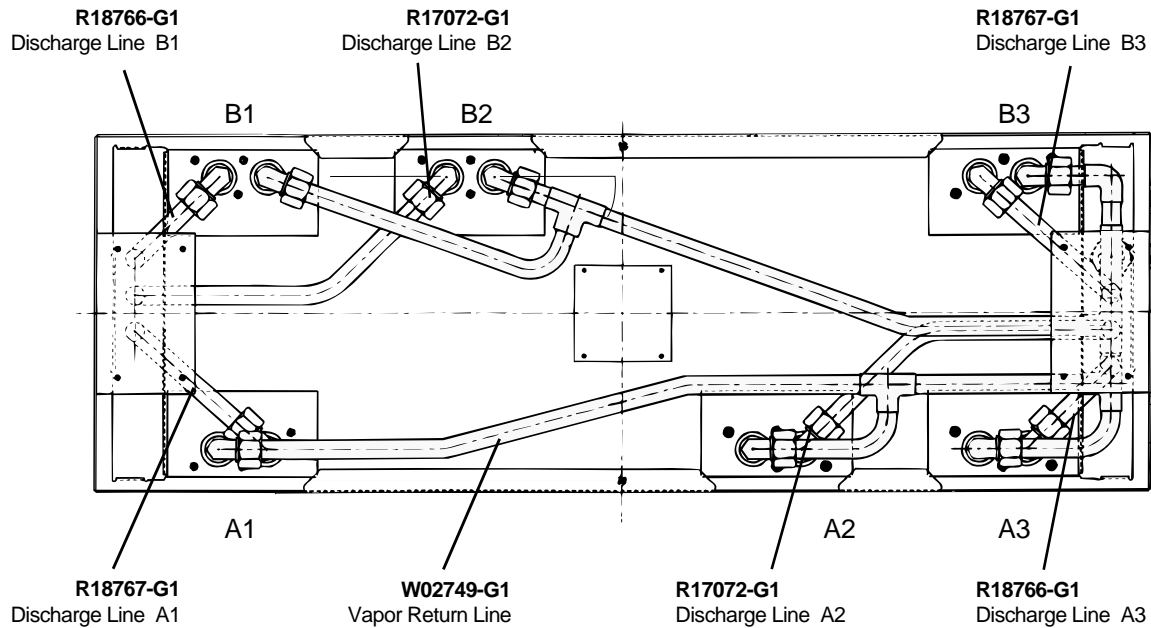


## Plate 19.2

### Discharge Piping, Upper View with Vapor Piping • 17" Top Two Sided

MPD Three-Grade, Fixed Blender and Precision Blender

For VaporVac™ Parts see PT-1831 VaporVac Illustrated Parts Manual.

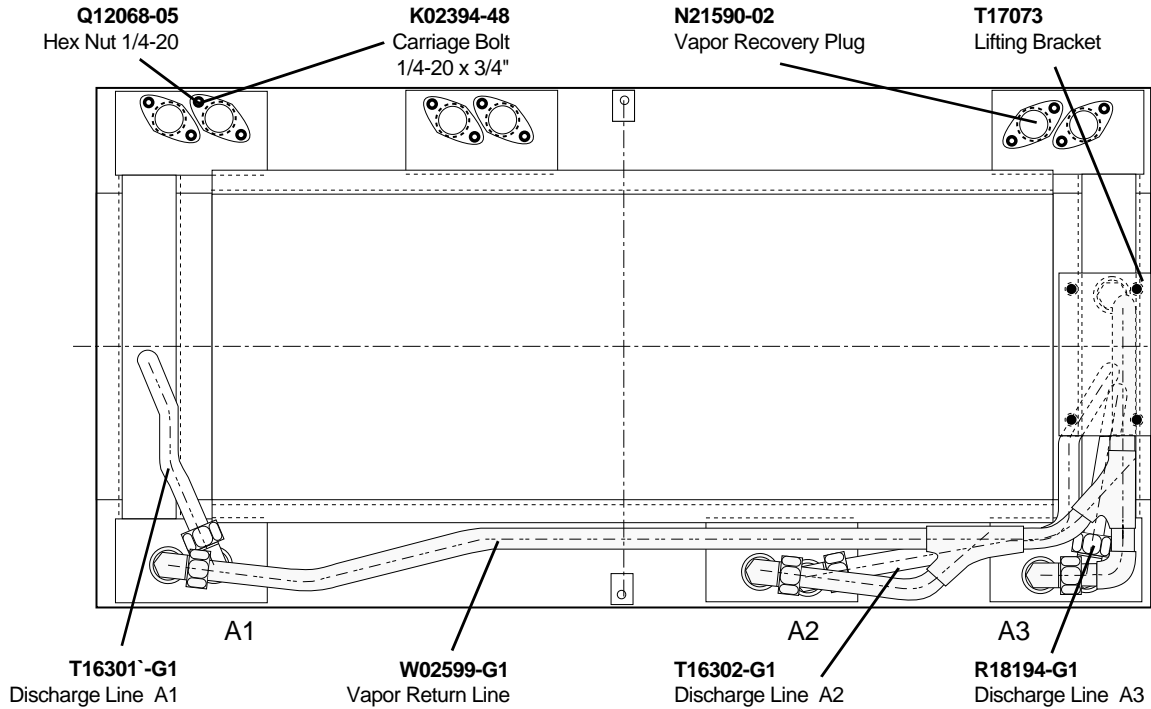


## Plate 19.3

### Discharge Piping, Upper View with Vapor Piping • 21" Top Single Sided

MPD® Three-Grade, Fixed Blender and Precision Blender

For VaporVac™ Parts see PT-1831 VaporVac Illustrated Parts Manual.

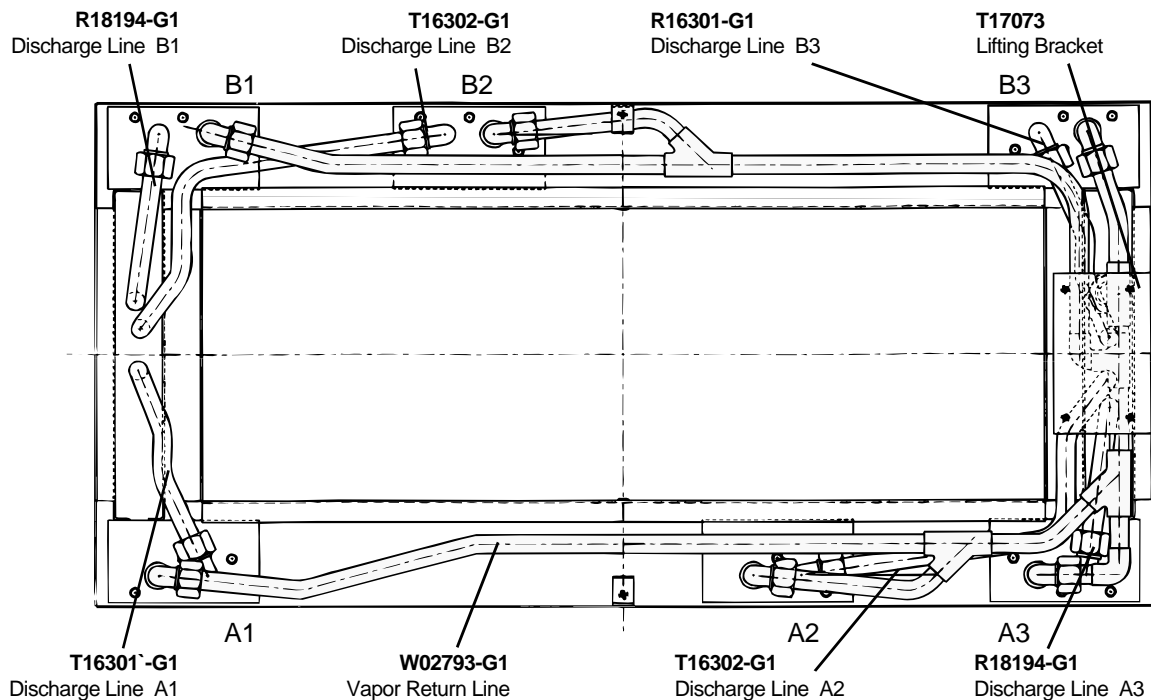


## Plate 19.4

### Discharge Piping, Upper View with Vapor Piping • 21" Top Two Sided

MPD Three-Grade, Fixed Blender and Precision Blender

For VaporVac™ Parts see PT-1831 VaporVac Illustrated Parts Manual.



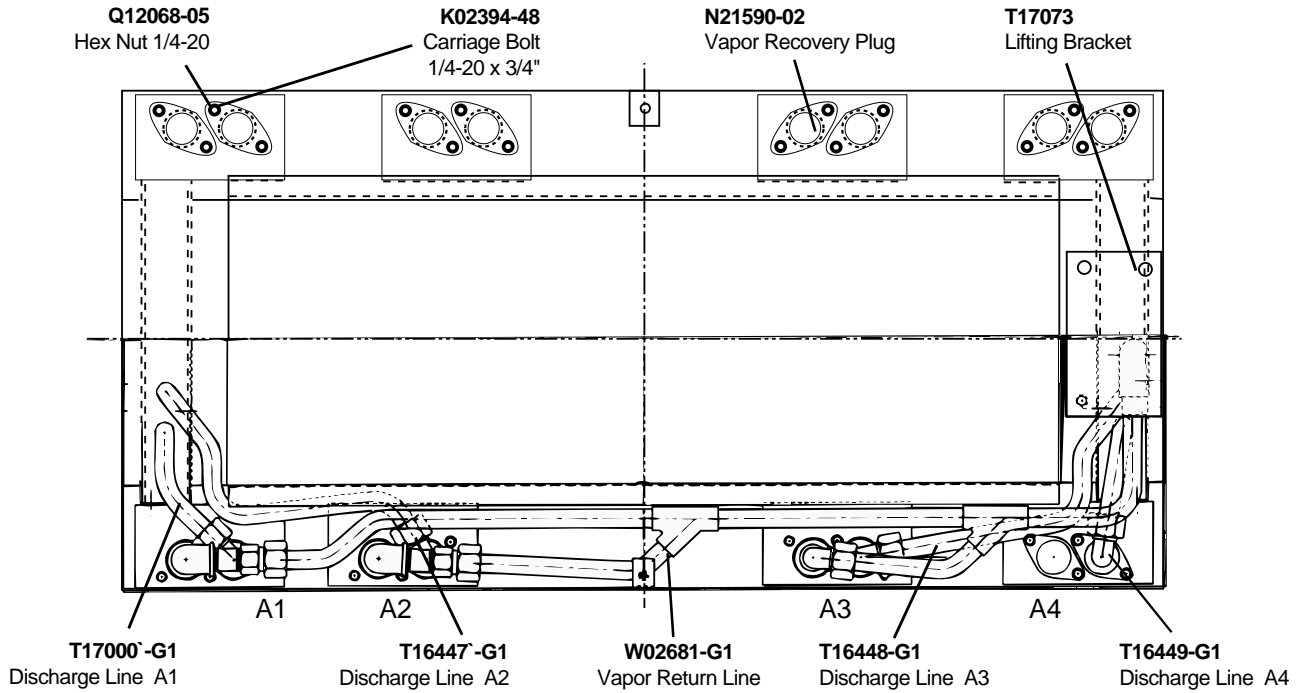
# Discharge Piping

## Plate 19.5

### Discharge Piping, Upper View with Vapor Piping • Single Sided

MPD® Four-Grade

For VaporVac™ Parts see PT-1831 VaporVac Illustrated Parts Manual.

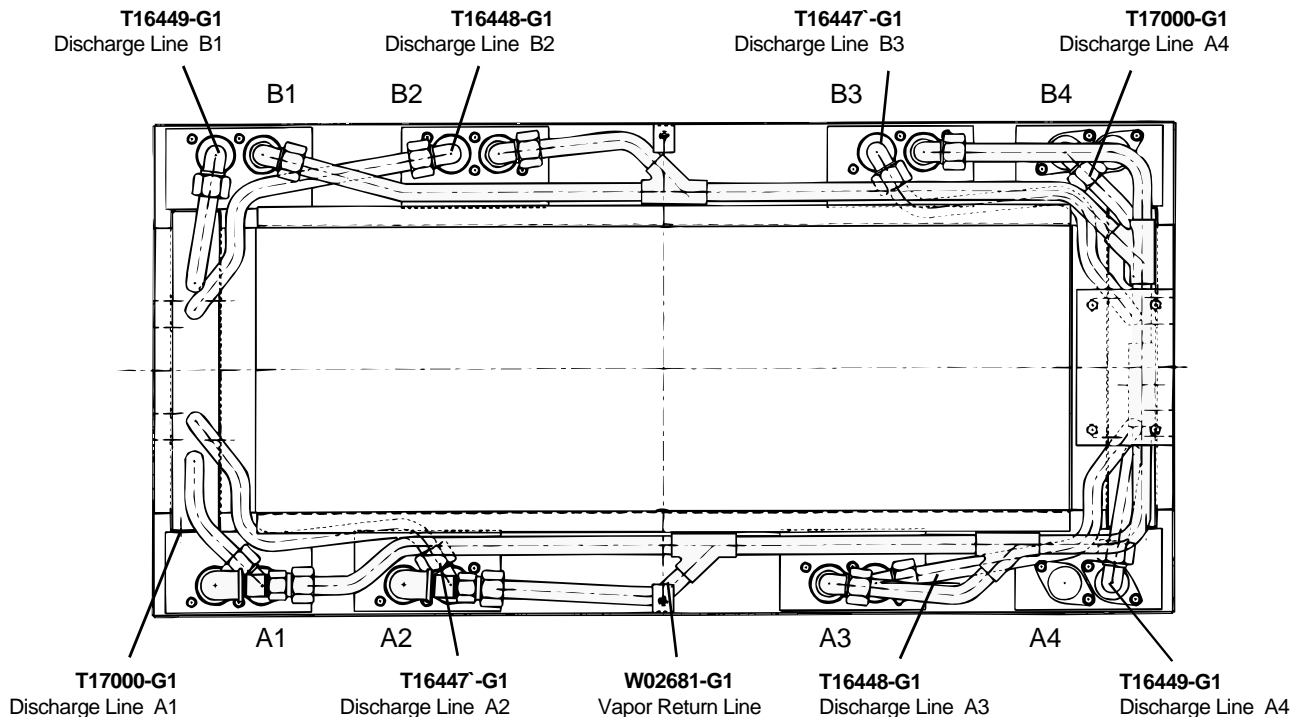


## Plate 19.6

### Discharge Piping, Upper View with Vapor Piping • Two Sided

MPD Four-Grade

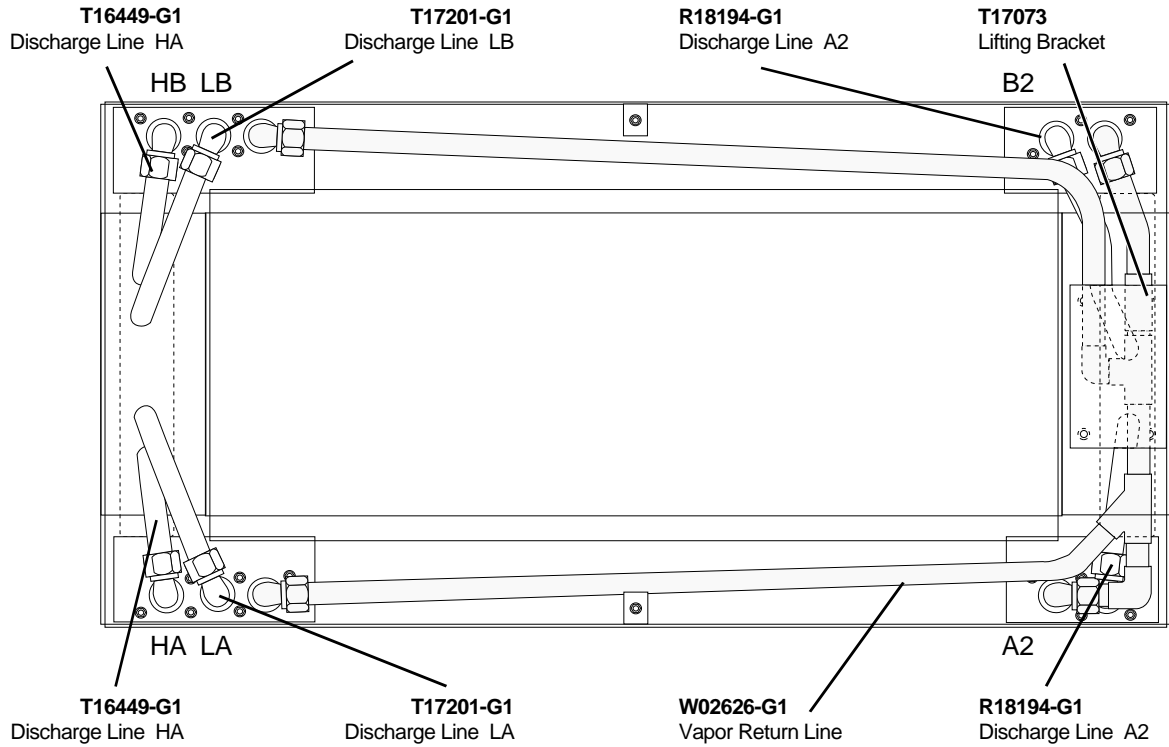
For VaporVac™ Parts see PT-1831 VaporVac Illustrated Parts Manual.



## Plate 19.7

### Discharge Piping, Upper View with Vapor Piping • Two Sided

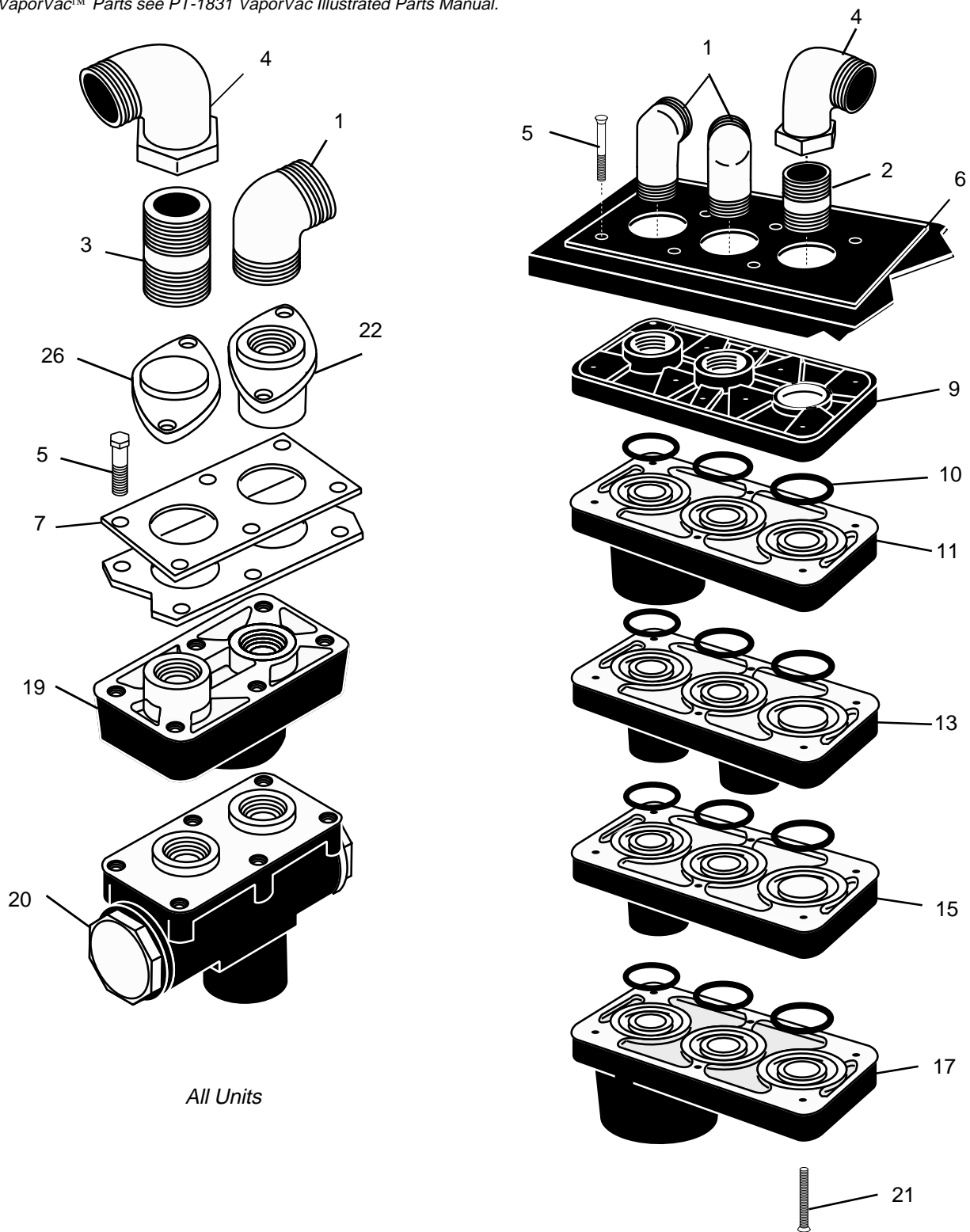
MPD Pro Blender™



# Discharge Piping

## Plate 20 Discharge Casings • All Units

For VaporVac™ Parts see PT-1831 VaporVac Illustrated Parts Manual.



# Discharge Piping

#	Part Description	Part Number	Qty.
1	Elbow 3/4" x 90°	K76203	2
2	Nipple 3/4" x 2" (Vapor only)	R11496-27	1
3	Nipple 3/4" x 2" (Vapor only)	R11496-23	1
4	Elbow 3/4" x 90° (Vapor only)	Q10987-01	1
5	Bolt 1/4-20 x 3/4"	Q11889-04	4
6	Stiffening Plate	N23032	1
7	Stiffening Plate	N23012	1
9	Upper Casting	T18308-10	1
10	O-ring 1-1/8" x 1-1/2" x 3/16"	Q10069-27	3
11	Vapor Recovery Casting (Blend in Casting)	W02614-10	1
12	Casting Kit (Includes 10, 13, 21)	K35446	-
13	Vapor Ready Casting (Blend at Nozzle, dual hose)	T17256-10	1
14	Casting Kit (Includes 10, 13, 15)	K35468	-
15	Vapor Ready Casting (Blend in Casting, single hose)	T18396-10	1
16	Casting Kit (Includes 10, 15, 21)	K35447	-
17	Vapor Recovery Casting (Dayco Tri-Axial, blend inside hose)	W02646-10	1
18	Casting Kit (includes 10, 17, 21)	K35467	-
19	Hose Casting	N22956-G1	1
	Hose Casting Kit (includes 3-5, 19)	K35187	1
20	Emco-Wheaton Hose Casting	R18564	1
	Emco-Wheaton Hose Casting Kit (includes 20, hardware)	K35181	1
21	Flat Head Screw	Q10972-09	6
22	Non-Vapor Hose Coupling	N21581-02	-
	None-Vapor Hose Coupling Kit (includes 21, hardware)	K35299	1
23	CO-VENT® 2 Retrofit Kit (not shown, includes Venturi valve/hardware)	K35291	1
24	Breakaway Adapter Kit (not shown, Incl. hardware to add Breakaways)	K35379	1
25	Vapor Recovery Hose Adapter (not shown, for Vapor ready, Std. hoses)	N22963	1
26	Vapor Recovery Plug (not shown, Non-vapor only; attach with 27 & 28)	N21590-02	-
27	Carriage Bolt 1/4-20 x 3/4"	K02394-48	-
28	Hex Nut 1/4-20	Q12068-05	-