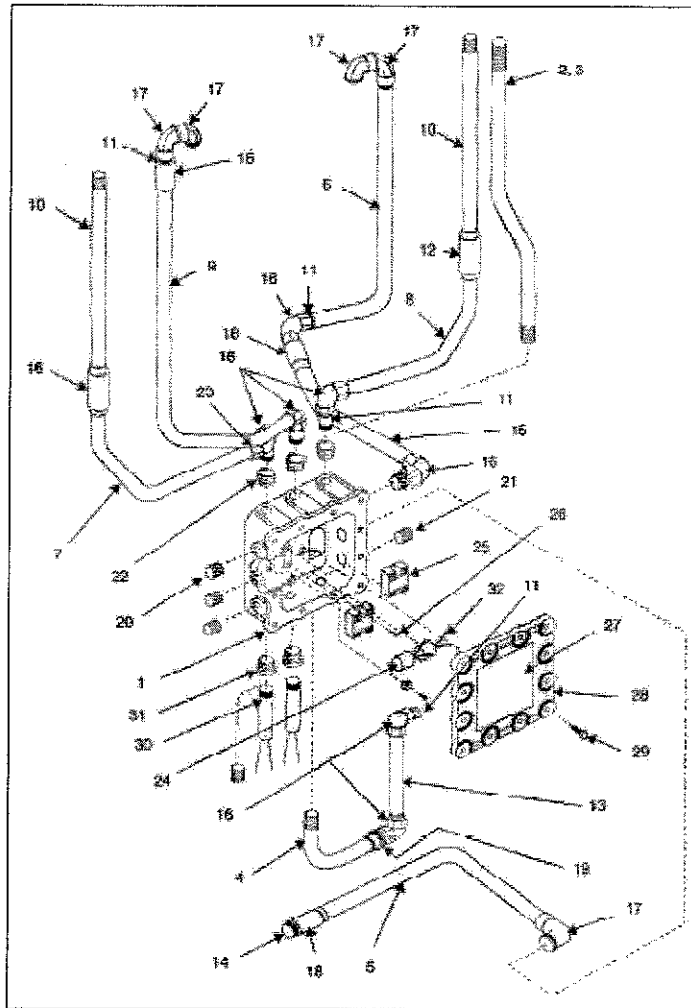


Hydraulic Area

Junction Box and Conduit (Plate 13)

Figure 15: Junction Box and Conduit - All Legacy Pumps and Dispensers

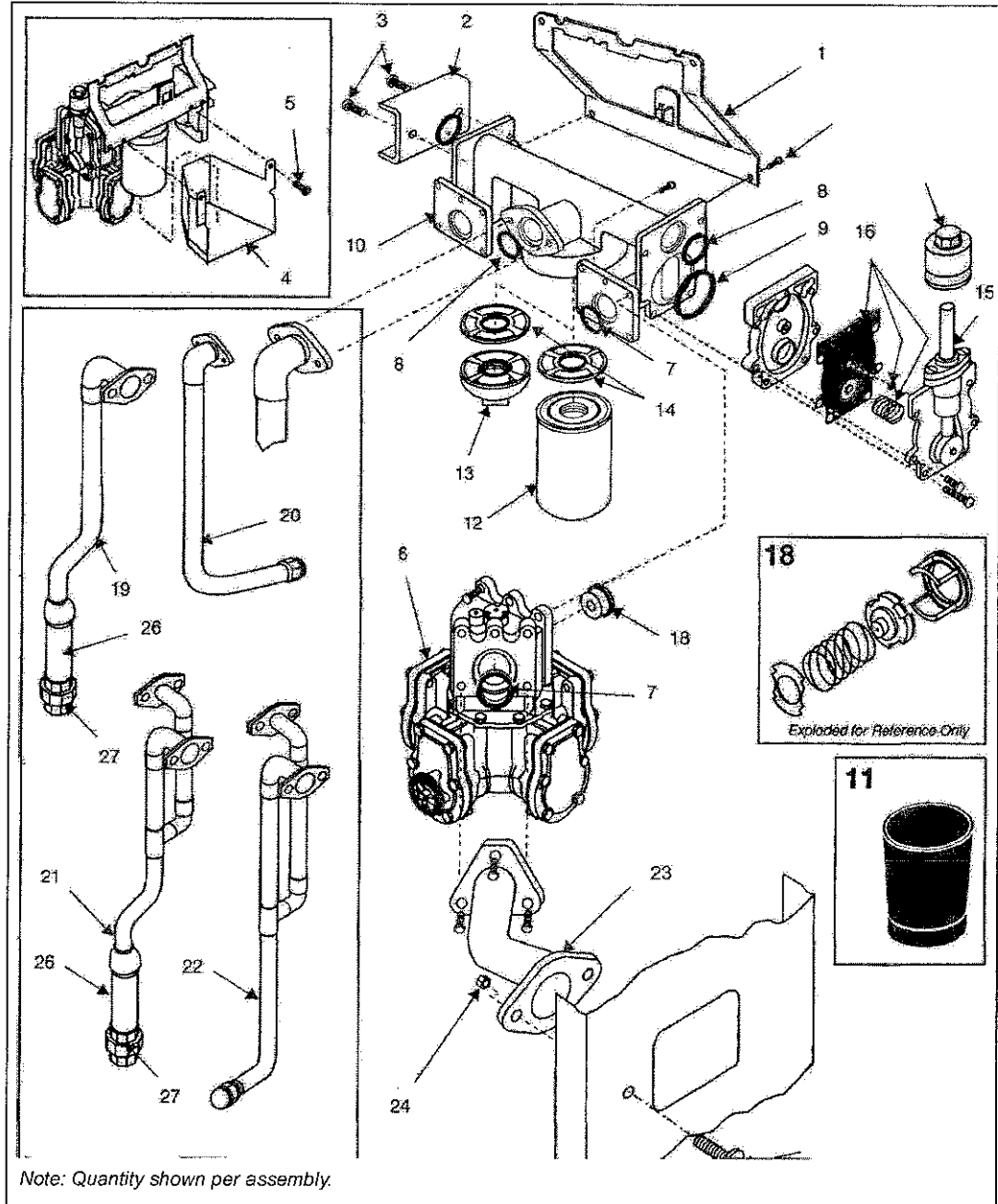


Item #	Part Description	Current Part	Previous Part	Quantity
1	Junction Box	W03245	W03151	1
2	Conduit and wire assembly (Electronic only)	T19289-G1	-	1
3	Conduit and wire assembly three phase (Electronic only)	T19289-G2	-	1
4	Formed Conduit B-Side motor (Pumps only)	R12579-128	-	1
5	Formed Conduit A-Side motor (Pumps only)	R12579-129	-	1
6	Formed Conduit B-side Solenoid	R12579-130	-	1
7	Formed Conduit A-Side Reset (Commercial only)	R20079	-	1
8	Formed Conduit B-Side Reset (Commercial only)	R20080	-	1

Item #	Part Description	Current Part	Previous Part	Quantity
9	Formed Conduit A-Side Solenoid	T19310	-	1
10	Conduit ½" x 16-¾" (Commercial only)	R11979-37	K40332	2
11	Conduit Nipple ½" x 1-1/8" ^{1,2}	R11976-39	K18775	
12	Conduit Union ½" FxF ^{1,2}	N16289-21	-	
13	Conduit Nipple ½" x 5-¾"	R11976-65	K49221	1
14	Conduit Nipple ½" x 3 ²	K88207-02	-	1
15	Formed Conduit B-Side Solenoid ²	N23558	-	1
16	Conduit Elbow ½" x 90° F x F ^{1,2}	K42428	-	
17	Conduit Elbow ½" x 90° M x F ^{1,2}	K42448	-	
18	Conduit Union ½" M x F ^{1,2}	N16289-20	-	
19	Conduit Union ½" M x F ^{1,2}	Q10016-04	-	
20	Pipe Plug ½" ^{1,2}	K85773	K02281	
21	Pipe Plug ¾" ^{1,2}	K57624	K02282	
22	Reducer ½" x ¾" ^{1,2}	K49827	-	
23	Conduit Elbow ½" x 45° ²	K49306	-	
24	Varistor 110/115/120 VAC ²	T17448-G1	-	1
	Varistor 220/230/240 VAC ²	T17448-G2	-	1
25	Solid State Relay (Single Phase Pumps) ^{1,2}	Q11008-04	-	
26	Screw	-	K85736-10	
27	Junction Box Warning Label	R20220	R19795	1
28	Junction Box Cover	W03244	T18719	1
29	Bolt ¼" x 20-¾"	K43625	-	12
30	Conduit IS Barrier ^{1,2}	T13713-G11	-	
31	Conduit Enlarger ^{1,2}	K81090-20	-	
32	Transmitter HV-A ^{1,2}	T12665-G1	-	
1. Quantity varies with model.				
2. Parts are usable on other Gilbarco pumps and dispensers.				

Hydraulic Manifold Area (Plate 14)

Figure 16: Hydraulic Manifold Area

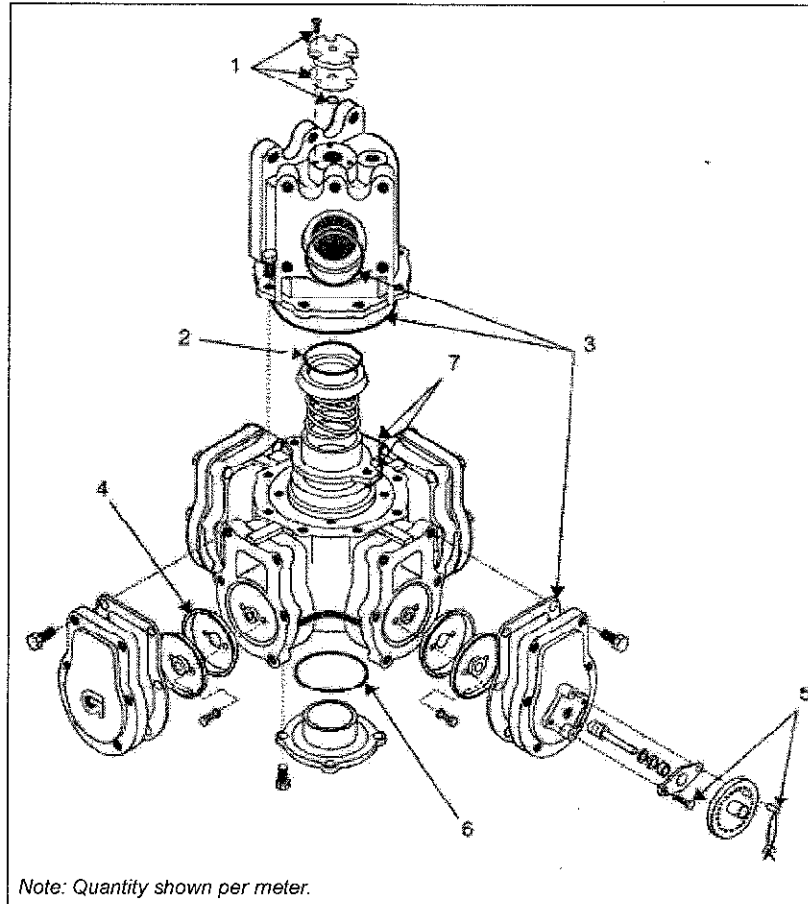


Item #	Part Description	Current Part	Previous Part	Quantity
1	Manifold Support Bracket	T19293	-	1
2	Seal Plate	R20072	-	1
3	Bolt 5/16-18 x 7/8" ³	Q10865-01	-	-
4	Fuel Deflector ⁴	T19331-G1	-	1

Item #	Part Description	Current Part	Previous Part	Quantity
5	Screw ⁴	K85736-15	-	2
6	Meter	see "Meter (Plate 15)" on page 32	-	1
7	O-Ring 1-5/8" x 1/8" x 1-7/8" ⁴	Q10068-14	-	3
8	O-Ring 1-1/4" x 1/8" x 1-1/2" ⁴	Q10068-09	-	3
9	O-Ring 2-3/8" x 1/8" x 2-5/8" ⁴	Q10068-20	-	3
10	Casting Manifold ⁴	W02808-10	-	1
11	Fuel Collector ^{3,4}	K35493	-	
12	Filter, High Capacity ⁴	R18189-10	-	1
	Filter, High Capacity 30 micron ⁴	R18189-30	-	1
	Filter, High Capacity (Water Alert) ⁴	R20039	-	1
13	Filter Cap (high Capacity) with gasket ⁴	R18896-G1	-	1
14	Filter Strainer ⁴	R19457	-	1
15	Solenoid Valve	R20008	-	1
16	Solenoid Repair Kit (includes diaphragm, spring and washer) ^{3,4}	R10193-01	-	
17	Coil, 115 VAC ³	R20008-05	-	
	Coil, 240 VAC ³	R20008-06	-	
18	Meter Check Valve ^{2,4,6}	K94254-01	N23276-G1	
19	Feedline One-Hose, One-Product and Two-Hose, Two-Product ¹	R20105-G1	-	1
20	Feedline One-Hose, One-Product and Two-Hose, Two-Product ²	T19290-G1	-	1
21	Feedline Two-Hose, One-Product ¹	W03391-G1	-	1
22	Feedline Two-Hose, One-Product ²	-	W03390-G1	1
23	Discharge Casting	W03379-10	-	1
24	Nut	Q11890-05	-	2
25	T-Bolt	K83759-21	-	2
26	Nipple 1-1/2" x 7-1/8" ⁴	R11493-20	-	
26a	Nipple 1-1/2" x 7-1/2" for Canada only ^{1,3,5}	R11493-74	-	
27	Union 1-1/2" ^{1,3,5}	K12179	-	
27a	Union 1-1/2" for Canada only ^{1,3}	Q10846-08	-	
28	Shear Valve Double Poppet ^{1,3,4}	T19695-11	T18802-02	
	Shear Valve Double Poppet ^{1,3,5}	T19695-10	T18802-01	
<p>1. Dispensers only. 2. Pumps only. 3. Quantity as needed. 4. Also on the Advantage Series. 5. Common to all Gilbarco Dispensers. 6. Used on dispensers for Canada.</p>				

Meter (Plate 15)

Figure 17: Meter - All Models



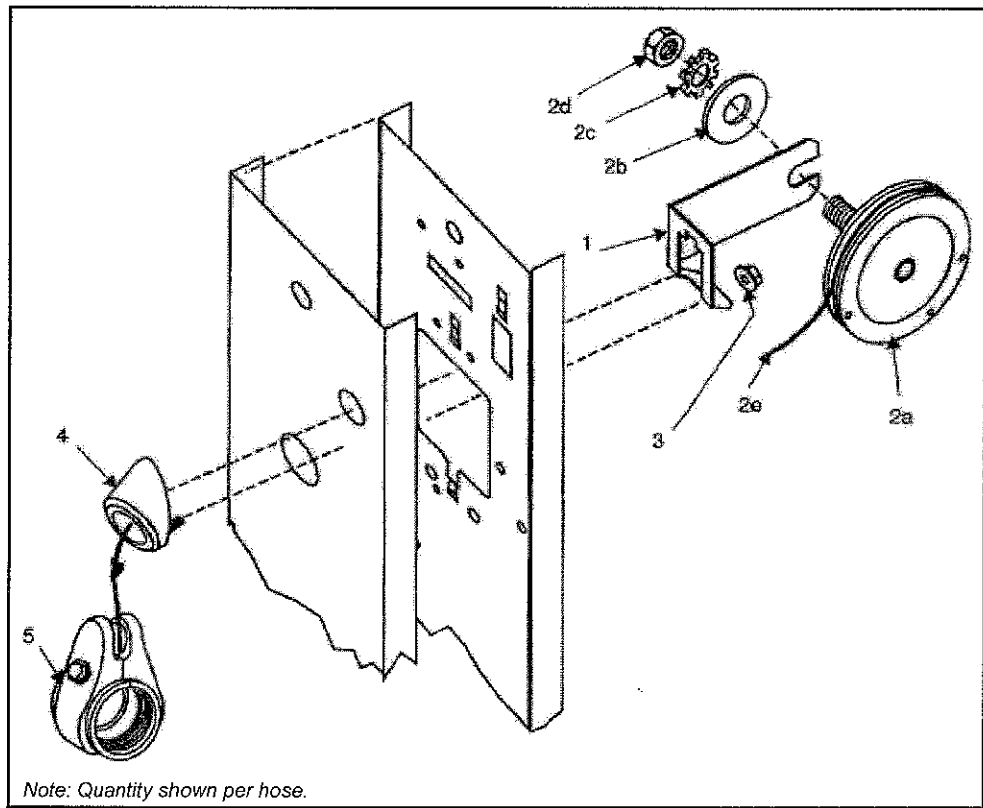
Item #	Part Description	Current Part Number	Previous Part Number	Quantity
1	Quad Ring kit (Shaft seal, gasket, screws, seal wire, alignment tools) ¹	K35222	-	1
2	Valve Seal O-Ring ¹¹	N18254-04	-	1
3	Gasket and O-Ring Kit (includes cover gaskets and o-rings, flange o-rings) ¹	K35359	-	1
4	Formed Piston Cup ¹	N21252	-	1
5	Adjuster Cylinder Cover Kit (includes pin, packing and seal wire) ¹	K35361	-	1
6	Lower Housing O-Ring ¹	Q10068-14	-	1
7	Valve Seal Kit (includes retainer and valve seal) ¹	K35514	-	1

Item #	Part Description	Current Part Number	Previous Part Number	Quantity
8	Gilbarco C Meter			
	USA Gallons	PA024TC26	PA024TC27	1
	Liters (Commercial only)	PA024TC28M	PA024TC29M	1
	Hawaiian Gallons (Commercial only)	PA024TC30	-	1

1. Common to all Gilbarco pumps and dispensers with "C" Meter.

Hose Retriever (Plate 16)

Figure 18: Hose Retriever - All Legacy Models



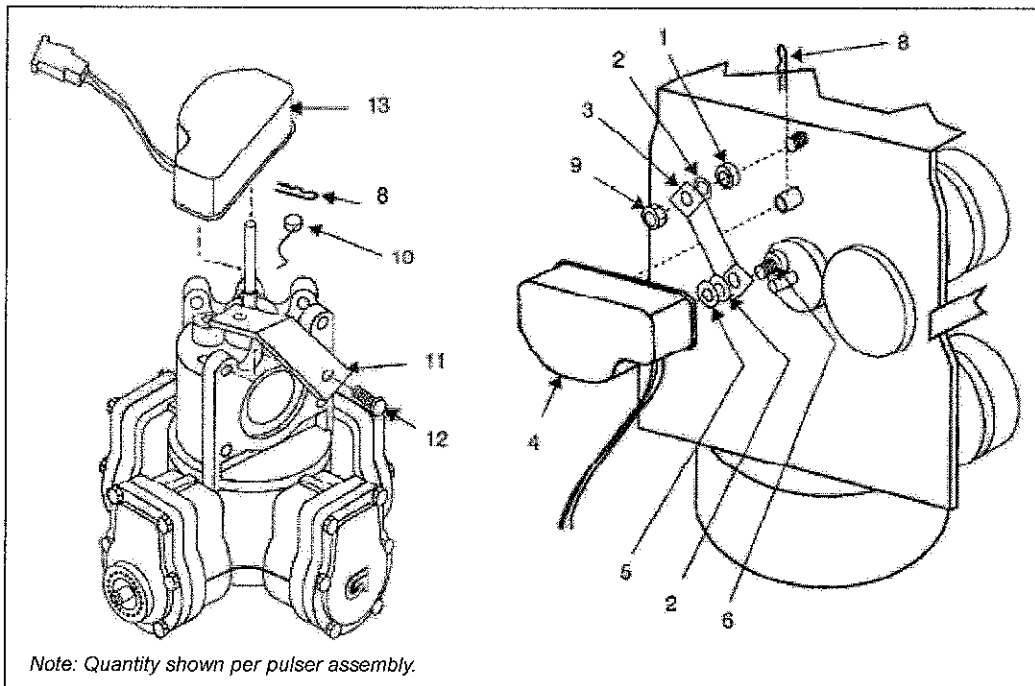
Item #	Part Description	Current Part Number	Previous Part Number	Quantity
1	Bracket	R20071	-	1
2	Hose Retriever and Cable Assembly (includes 2a-e) ¹	N20545-02		1
2a)	Retriever Only ¹	N16839-21	-	1
2b)	Washer 1/2" ¹	K02208	-	1
2c)	Lock washer 1/2" ¹	K47433	-	1
2d)	Nut 1/2"-13 ¹	K01945	-	1
2e)	Cable 70" ¹	K87218-01	-	1
3	Nut 1/4"-20 ¹	K01941	-	

Item #	Part Description	Current Part Number	Previous Part Number	Quantity
4	Hose Grommet Assembly ¹	R18453	-	1
5	Hose Clamp 1" ²	N18320-21	-	-
	Inner half for 3/4" for use with N18320-21 ²	N18319-04	-	-
	Inner half for 5/8" for use with N18320-21 ²	K35522	-	-

1. Also used on Highline Series.
2. Common to all Gilbarco pumps and dispensers.

Pulsers (Plate 17)

Figure 19: Pulsers - All Legacy Units



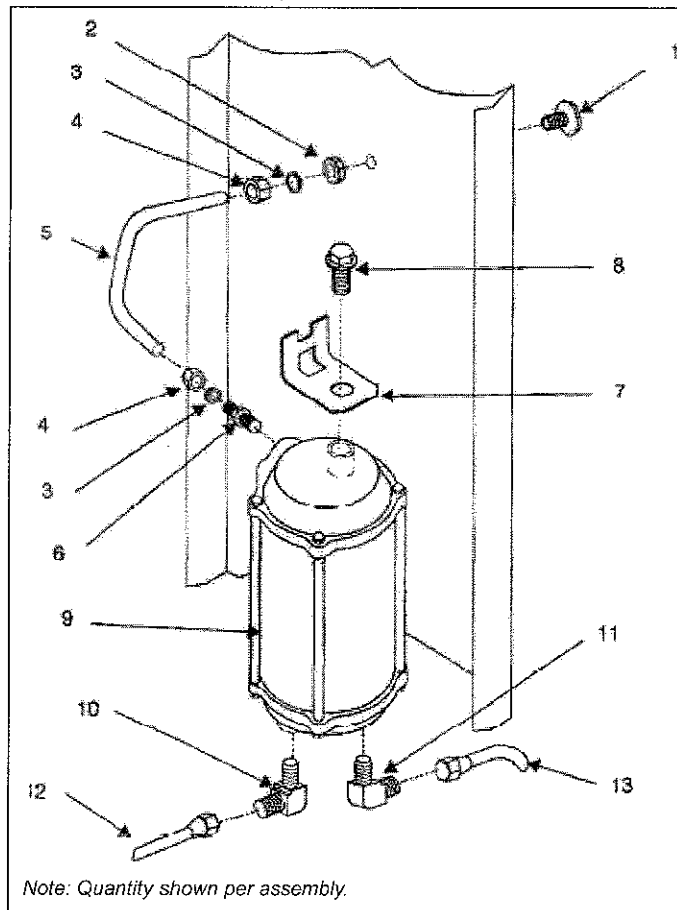
Item #	Part Description	Current Part Number	Previous Part Number	Quantity
1	Spacer ¹	Q10213-02	-	1
2	Lock washer #6 ¹	K22804	-	2
3	Bracket	K89664	-	1
4	Pulser Assembly 100/1 ¹	M06362K001	T18350-G2	1
	Veedor Root Pulser Assembly (Not Shown, mounted other side) ²	R19453-08	R18759-85	1
5	Flatwasher #10 ¹	K65235-22	-	1
6	Screw 6-32 x 3/8" ¹	K85736-01	-	-
7	Nut 5/16-18	Q11890-02	-	-

Item #	Part Description	Current Part Number	Previous Part Number	Quantity
8	Hairpin Cotter ¹	K77558-28	-	1
9	Nut 5/16-18 ¹	Q11890-02	-	
10	Seal Wire ¹	K14195	-	1
11	Pulser Bracket	R17486	-	1
12	Bolt 5/16-18 x 7/8" ¹	Q10865-01	-	1
13	Pulser Assembly 125/1 ¹	T18350-G1	-	1

¹. Also used on Highline Series.
². Common to all Gilbarco pumps and dispensers.

Sump Area (Plate 18)

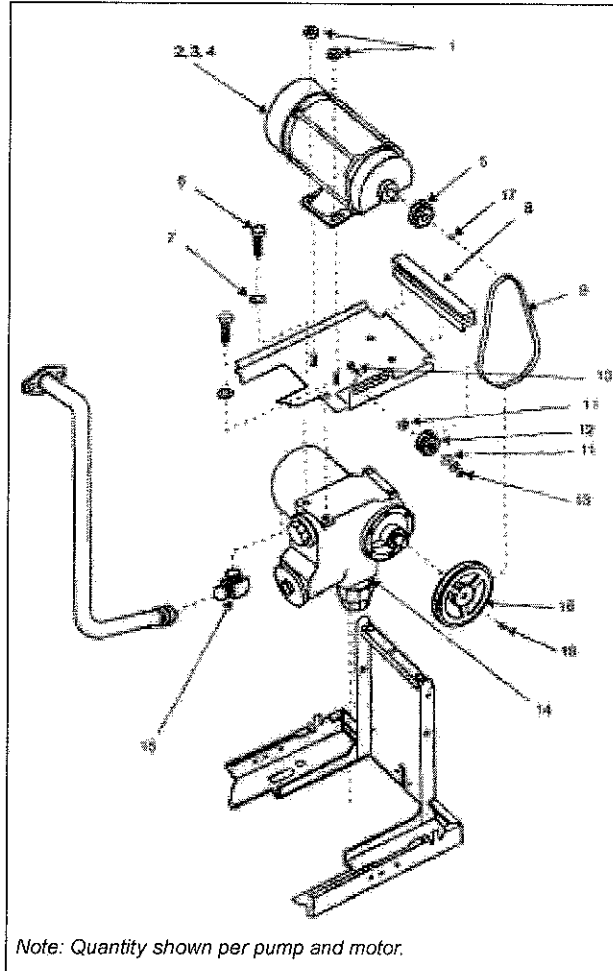
Figure 20: Sump Area - All Legacy Pumps



Item #	Part Description	Current Part Number	Previous Part Number	Quantity
1	Vent Fitting ¹	N21861-02	-	1
2	Hex Nut 9/16"-24 ¹	Q10985-02	-	1
3	Ferrule 3/8" ¹	K43260	-	2
4	Nut 3/8" ¹	Q12505-01	-	2
5	Vent Tube	R20084	-	1
6	Straight Fitting 3/8"	Q12504-01	-	1
7	Sump Bracket	R20070	-	1
8	Bolt	K44046	-	1
9	Sump ²	PA0013-179	PA0013-165	1
10	Elbow ²	Q10001-20	-	1
11	Elbow ²	Q10001-12	-	1
12	Return Tube	T19314-G1	-	1
13	Inlet Tube	T19315-G1	-	1
<p>1. Common to all Gilbarco pumps. 2. Also used on the Advantage Series pumps.</p>				

Pump and Motor Area (Plate 19)

Figure 21: Pump and Motor Area - All Legacy Pumps

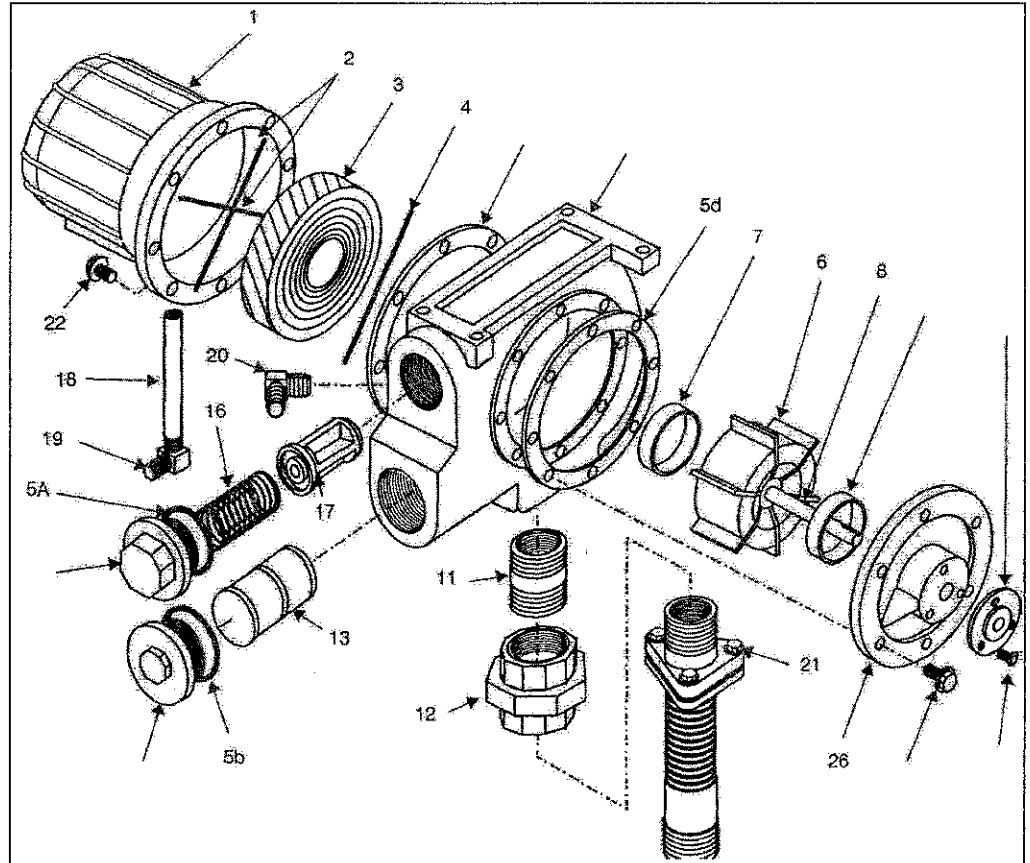


Item #	Part Description	Current Part Number	Previous Part Number	Quantity
1	Nut 1	Q11890-05	-	2
2	Motor 3/4HP 1			
2a)	110/220VAC, 50Hz, 1 phase, continuous run 1	R14213-22	-	1
2b)	115/230VAC, 50Hz, 1 phase, continuous run 1	R14213-05	-	1
2c)	110/220VAC, 60Hz, 1 phase, continuous run 1	R14213-30	R14213-03 R14213-24	1
2d)	380VAC, 50/60Hz, 3 phase, continuous run 1	R14213-14	-	1
3	Motor 1/2HP 1			
3a)	110/220VAC, 60Hz, 1 phase, continuous run 1	R14213-23	-	1
3b)	115/230VAC, 50Hz, 1 phase, continuous run 1	R14213-02	-	1

Item #	Part Description	Current Part Number	Previous Part Number	Quantity
3c)	115/230VAC, 60Hz, 1 phase, continuous run ¹	R14213-01	-	1
3d)	220/380VAC, 50Hz, 3 phase, continuous run ¹	R14213-19	-	1
4	Motor 1/3HP ¹			
4a)	115/220VAC, 50Hz, 1 phase ¹	R14212-03	-	1
4b)	115/220VAC, 50Hz, 1 phase, continuous run ¹	R14212-02	R14212-12	1
4c)	115/220VAC, 60Hz, 1 phase ¹	R14212-02	R14212-12	1
4d)	115/220VAC, 60Hz, 1 phase, continuous run ¹	R14212-11	-	1
4e)	220/380VAC, 50/60Hz, 3 phase ¹	R14212-04	-	1
5	Motor Pulley ¹			
	Pulley 500RPM 60HZ ¹	R18900-21	-	1
	Pulley 500RPM 50HZ ¹	R18900-25	-	1
	Pulley 650RPM 60HZ ¹	R18900-27	-	1
	Pulley 650RPM 50HZ ¹	R18900-32	-	1
6	Bolt ¹	K46809	-	3
7	Lock Washer ¹	K20455	-	3
8	Shock mount	R20069	-	2
9	Pulley Belt ¹			
	Belt 30-1/2" x 1/2", 500RPM 50Hz ¹	R06711-40	-	1
	Belt 31-1/2" x 1/2", 650RPM 50Hz ¹	R06711-42	-	1
	Belt 30-1/2" x 1/2", 500RPM 60Hz ¹	R06711-47	-	1
10	Bolt ¹	K01904	-	1
11	Flat Washer ¹	K66314	-	1
12	Idler Pulley ¹	N18366-02	-	1
13	Nut ¹	K01943	-	1
14	PUS Pump ^{1,2}	See "Pump and Air Separator (Plate 20)" on page 39	-	1
15	Elbow 90°	Q13044-01	-	1
16	Pulley 500/650RPM 50/60Hz ¹	R18900-69	-	1
17	Key	K83379-21	-	1
18	Key ¹	Q12697-01	-	1
19	Lock Washer ¹	K50775	-	1
<p>1. Common to many of Gilbarco pumps. 2. Order Entry, Customer specific item.</p>				

Pump and Air Separator (Plate 20)

Figure 22: PUS020 Pump and Air Separator - All Legacy Pumps



Item #	Part Description	Current Part Number	Previous Part Number	Quantity
1	Air Separator Body (1" Discharge) ¹	W03643-14	R12512-03	1
2	Filter Retainer (inner) ¹	K82085-02	-	1
3	Separator Filter ¹	K76193	-	1
4	Filter Retainer (outer) ¹	K82085-01	-	1
5	Seal Kit (includes 5a-e) ¹	K35211	-	1
5a)	O-Ring 1-3/4" x 2" x 1/8" ¹	Q10068-15	-	1
5b)	O-Ring 2-1/8" x 2-3/8" x 1/8" ¹	Q10068-15	-	1
5c)	Separator Gasket ¹	N14492	-	1
5d)	Pump Gasket ¹	Q12508-156	-	1
5e)	Lip Seal ¹	K82472-01	K82472	1
6	Blade ¹	K76657	-	6
	Blade Kit (include 6, 5d, 5e) ¹	K35212	-	1
7	Blade Spacer ¹	K48226	-	1
8	Rotor and Shaft Assembly ¹	N17150-21	-	1