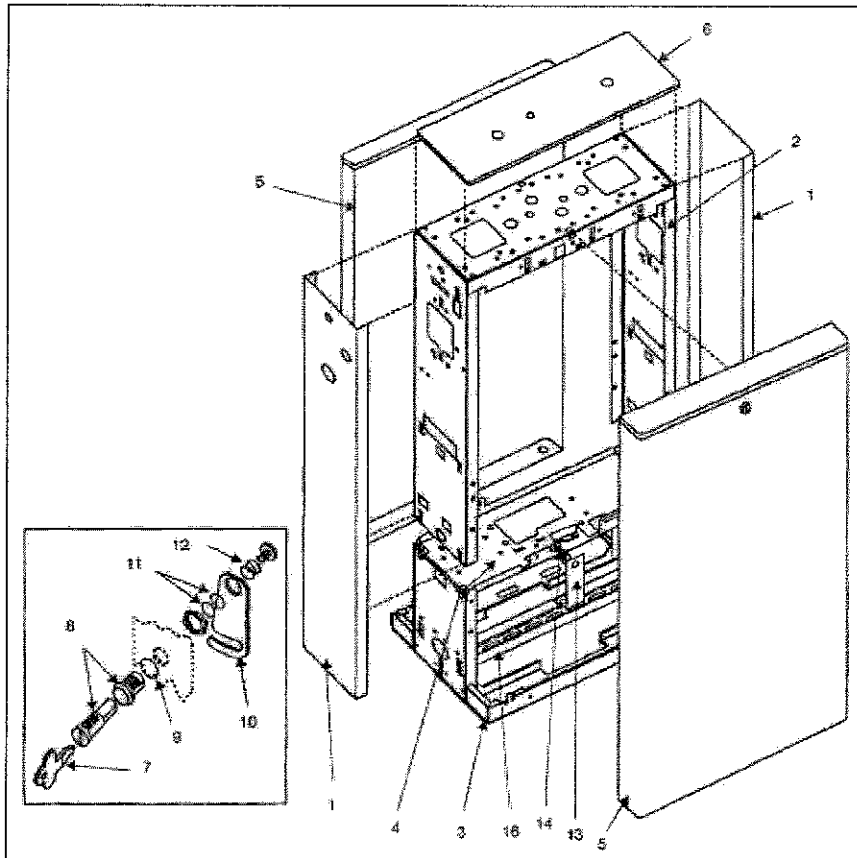


Frame and Sheathing (Plate 12)

Figure 14: Frame and Sheathing - All Legacy Models



Item #	Part Description	Current Part	Previous Part	Quantity
1	Side Sheathing, Electronic Units ¹			
	Blank, One-hose Units	W03374-01	-	-
	Electromechanical Totalizers	W03374-02	-	-
	Mechanical Totalizers	W03374-02	W03374-03	-
2	Outer Frame Assembly	W03368-G2	W03368-G1	-
3	Lower Frame Assembly	W03367-G1	-	-
4	Pump and Motor Support Plate (Pumps Only)	W03381-G1	-	-
5	Lower Door (Includes locks and keys) ¹	T19334-GXX	-	-
6	Top Sheathing, Electronic Units			
	Two-hose, Standard (island-orient) Putdowns	T19296-01	-	-
	One-hose, Standard (island-orient) Putdowns	T19296-02	-	-
	Two-hose, Rotated (lane-orient) Putdowns	T19296-03	-	-
	One-hose, Rotated (lane-orient) Putdowns	T19296-04	-	-
7	Key ^{2,4}	K83512-25	-	1

Item #	Part Description	Current Part	Previous Part	Quantity
8	Panel Lock ^{2,4}	K83512-30	-	1
9	Washer, Nylon ^{2,4}	K83513-10	-	
10	Cam, Lock ^{2,4}	K93552	-	1
11	Washer, Nylon ^{2,4}	K83513	-	1
12	Spring ^{2,4}	K83382	-	1
13	Junction Box Bracket ³			
	Pump	R20086	-	1
	Dispenser	T19340	-	1
14	Tee Bolt 5/16-18" X 3/4"	K83759-20	-	
15	Hex Nut 5/16-18" (Not Shown)	Q11890-05	-	
16	Inlet Support Bracket ³	W03394	-	
17	U-bolt 5/16-18" (Not Shown) ^{2,3}	K13204	-	

1. Order Entry, Customer specific item - specify color and graphics when ordering.
2. Quantity as needed.
3. Dispensers only.
4. Also used on the Advantage® Series.