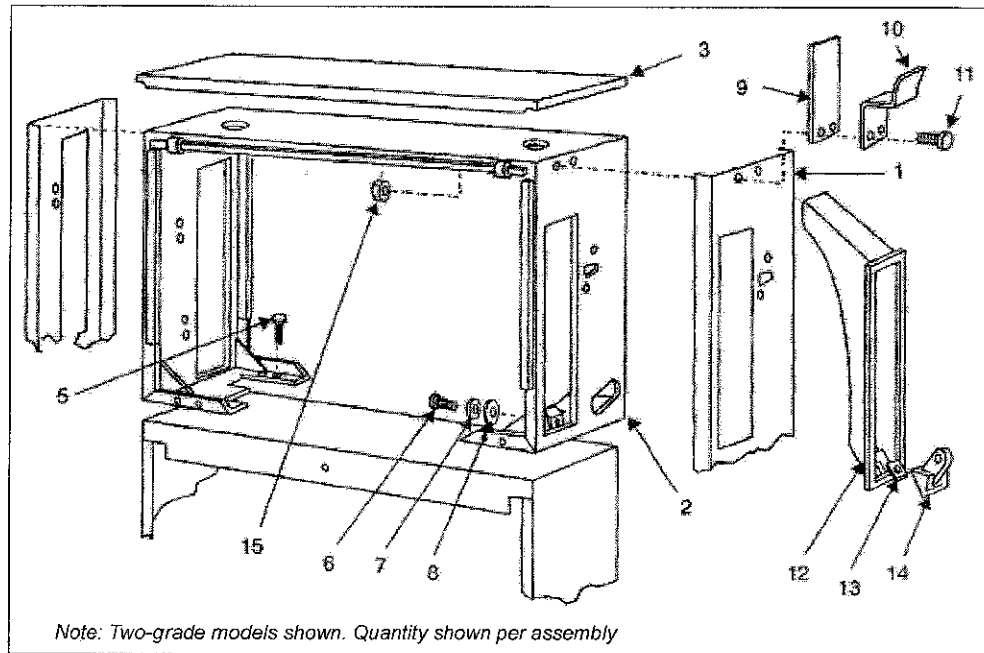


Commercial

Legacy Commercial Head Area (Plate 7)

Figure 9: Legacy Commercial Head Area



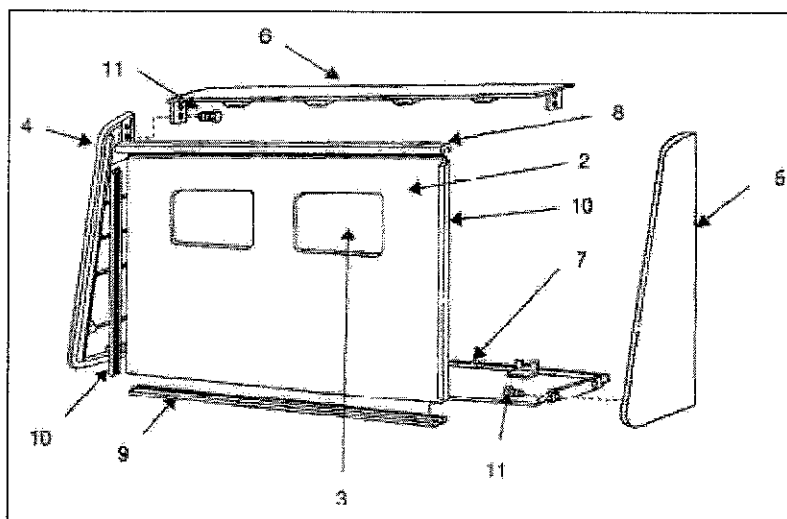
Item #	Part Description	Current Part	Previous Part	Quantity
1	Sheathing ¹			
	Blank, One-hose Units	W03387-01	-	1
	Hose Retriever, Electric Reset	W03387-02	-	1 or 2
	Hose Retriever, Manual Reset	W03387-03	-	1 or 2
	Hose Hook, Electric Reset	W03387-02	W03387-04	1 or 2
	Hose Hook, Manual Reset	W03387-03	W03387-05	1 or 2
2	Upper Frame Assembly ¹	W01099	-	1
3	Top Sheathing	R12404-01	-	1
4	Rivet Stud (Not Shown) ³	K81049-21	K82632-22	4
5	Bolt 5/16-18 X 3/4"	K85736-43	-	-
6	Bolt 1/4-20 X 1" ^{2,3}	K01900	-	-
7	Lock washer 1/4" ^{2,3}	K02217-20	-	-
8	Flatwasher 1/4" ^{2,3}	K14056	-	-
9	Back Plate ^{2,3}	K85430	-	-
10	Hose Hook ^{2,3}	N18494	-	-
11	Carriage Bolt 1/4-20 X 3/4" ^{2,3}	K02394-34	-	-
12	Nozzle Boot ^{2,3}	T07601	-	-

Item #	Part Description	Current Part	Previous Part	Quantity
13	Gasket, Nozzle Hook ^{2,3}	K85262	-	-
14	Nozzle Hook ^{2,3}	N18360-02	-	-
15	Nut 1/4-20 ^{2,3}	N18494	-	-

1. Order Entry, Customer specific item specify color and graphics when ordering.
2. Quantity varies with model.
3. Also used on Trimline® Series and Commercial 625, 650 Series.

Upper Panel Assemblies (Plate 8)

Figure 10: Upper Panel Assemblies - All Legacy Commercial Models

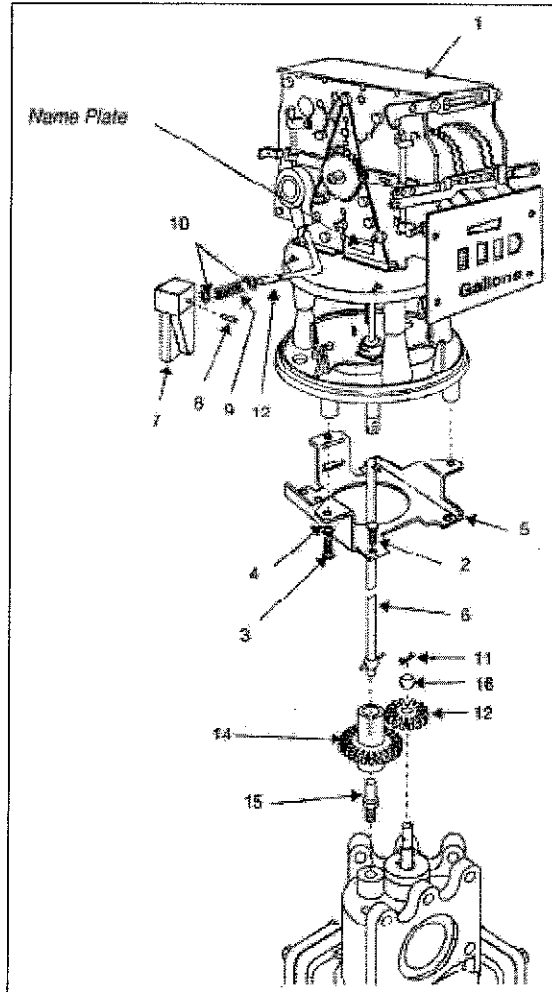


Item #	Part Description	Current Part	Previous Part	Quantity
1	Panel Assembly (Commercial Units) ^{1,3}	W02380-XX		1
2	Panel Insert (Commercial One-hose, White, Includes Item 2)	W02377-G1	-	1
	Panel Insert (Commercial Two-hose, White, Includes Item 2)	W02377-G2	-	1
3	Commercial Models ^{2,3}	K35470	-	-
4	Side Member, Left ³	T07588-01	-	1
5	Side Member, Right ³	T07588-02	-	1
6	Upper Member ³	N18849-03	-	1
7	Lower Member ³	R12547-09	-	1
8	Upper Seal Strip ³	K81400-27	-	1
9	Lower Seal Strip ³	K85534-02	-	1
10	Side Seal Strip ³	K81400-26	-	2
11	Screw 10-32 X 3/8" ³	K85149-02	-	8

1. Order Entry, Customer specific item specify color and graphics when ordering.
2. Quantity varies with model.
3. Also used on Trimline Series and Commercial 625, 650 Series.

Non-Computer (Plate 9)

Figure 11: Non-Computer - All Legacy Commercial Models



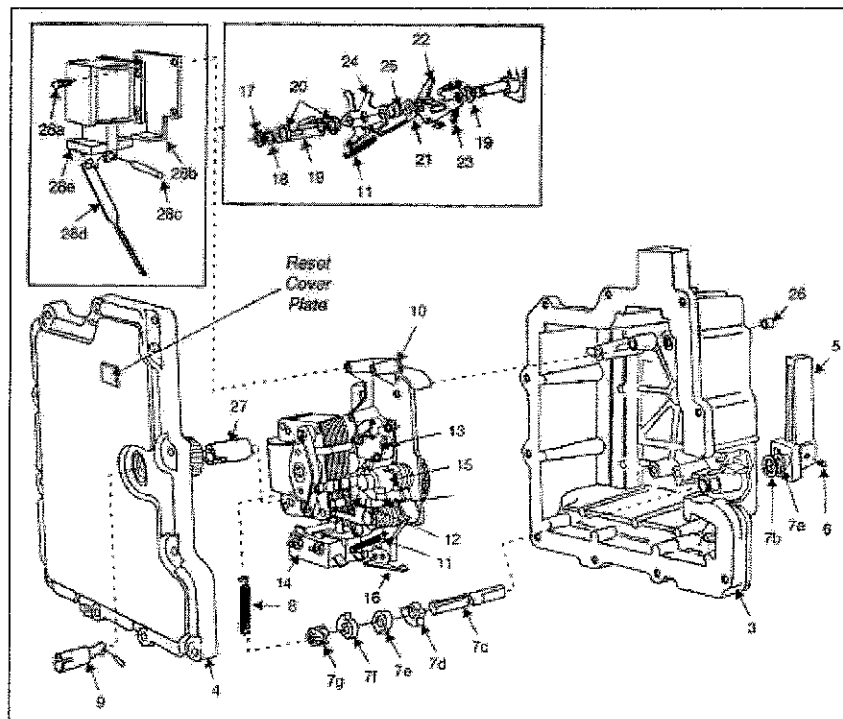
Item #	Part Description	Current Part	Previous Part	Quantity
1	Non-Computer for Commercial Models 1,2,3,4	See "Non-Computer (Plate 9)" on page 21		-
2	Bolt 5/16-18 X 3/4" 1	K85736-43	-	-
3	Bolt 3/8-24 X 5/8" 1,4	K79912-20	-	-
4	Washer 3/8" 1,4	K50775	-	-
5	Computer Support 1,4	T07883	-	-
6	Computer Drive Link Assembly 1,4	N23572-G1	-	-
7	Reset Knob 1,4	N20110-11	-	-
8	Set Screw 1/4-20 X 1/4" 1,4	K06083-26	-	-
9	Spring 1,4	K80613	-	-
10	Washer 1,4	K66872-01	-	-

Item #	Part Description	Current Part	Previous Part	Quantity
11	Hairpin Cotter	K77558-28	-	-
12	Reset Rod 1,4	K85132-01	-	-
13	Gear Pinion			
	Liters	K55151-21	-	1
	USA Gallons	M07289B003	-	1
	Imperial Gallons	M07341B003	-	1
14	Drive Gear			
	Liters 2:1	K55152	-	1
	Liters 4:1	K51522	-	1
	USA Gallons 4:1	M07296A001	K53743	1
	Imperial Gallons 4:1	M07340A001	K57368	1
15	Drive Gear Stud	N23567	-	1
16	Swivel Ball	K93546-01	-	1

1. Quantity varies with model.
 2. Gilbarco part number for complete Non-Computer is stamped on name plate. It is manufactured by Veeder-Root Inc. Gilbarco does not supply internal spare parts. Call Veeder-Root at (203) 651-2700 for internal parts.
 3. For Non-Computers that use Gilbarco Pulser see Plate 32.
 4. Also used on Trimline Series and Commercial 625, 650 Series.

Electric Reset (Plate 10)

Figure 12: Electric Reset - All Legacy Commercial Models



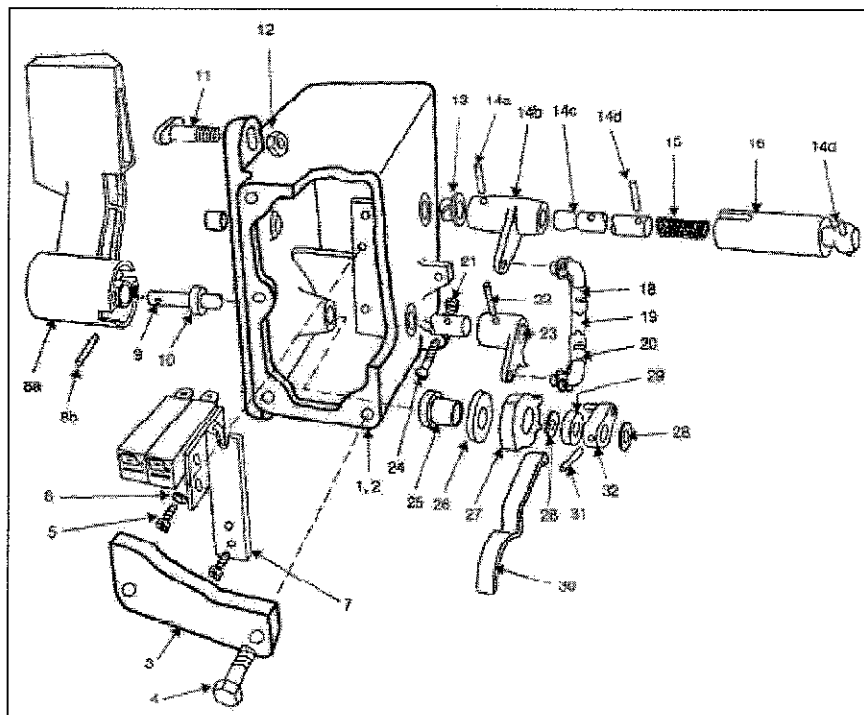
Item #	Part Description	Current Part	Previous Part	Quantity
1	Electric Reset, Complete Assembly (see Reset Cover Plate) ^{1,2}	PA0219XXXX	-	1
2	Switch Box Assembly (Include 2 - 3) ³	R13924-01	-	1
3	Box Only ²	W01394-19	-	1
4	Cover and Bearings ²	W01393-14	-	1
5	Operating Handle ²	R14071-02	-	1
6	Set Screw 5/16 - 18 X 5/16 ²	K64387-25	-	1
7	Operating Shaft Assembly (Includes 7 a - g) ²	N20459-01	-	1
7a	Retaining Ring ²	K76238-44	-	1
7b	Washer ²	K83513-03	-	1
7c	Shaft ²	N20458-01	-	1
7d	Cam Stop and Spring ²	N18995	-	1
7e	Reset Cam ²	N18997	-	1
7f	Trip Cam ²	N18998	-	1
7g	Spring Anchor ²	K86614	-	1
8	Spring ²	K86675	-	1
9	Link and Pins ²	K86591-03	-	1
10	Gear Box Assemblies ^{1,2}			
	Standard (Includes 13 - 27) ^{1,2}	T10411-XX	-	1
	Solenoid Operated (Two-hose Reset Switch, Include 13 - 28) ^{1,2}	-	T13006-XX	1
11	Spring ²	K86673	-	2
12	Spring ²	K86674	N23114-02	1
13	Reset Switch Assembly (Two-hose Switch) ²	K89377	-	1
14	Power Switch (Three Switch, Open) ²	N18965-02	-	1
15	Cam ²	N19000	-	1
16	Actuator Spring ²	N19011	-	1
17	Retaining Ring 5/16" ²	K82468-26	-	1
18	Nylon Washer ²	K86607-02	-	1
19	Lever ²	N19004	-	1
20	Hub ²	K86659-02	-	2
21	Actuator ²	K86695	-	1
22	Reset and Trip Lever ²	N19026	-	1
23	Spring ²	K86672	-	1
24	Power Switch Lever Assembly ²	N19032	-	1
25	Hub ²	K86659-01	-	1
26	Rod Cap ²	K85206-01	-	1
27	Adapter Shaft ²	N19008	N19008-01	1
28	Use on Solenoid Activated Models Only, Not Shown) ²			
28a	Solenoid, 220 V 20 Cycle (T13006 only) ²	N20539-01	-	1
	Solenoid, 115 V 20 Cycle (T13006 only) ²	K88826	-	1
28b	Spacer (T13006-XX Gear Box Only, Not Shown) ²	K89983	-	1
28c	Rivet ²	Q10022-09	-	1

Item #	Part Description	Current Part	Previous Part	Quantity
28d	Starp (T11093-XX Gear Box Only) ²	K88822	-	1
	Starp (T13006-XX Gear Box Only) ²	K89981	-	1
28e	Screw 6-32 X 1/2" ²	Q11271-36	-	3

1. Order entry item, when ordering give hydraulics model number and Electric Reset model number from cover plate or tag attached to Reset.
 2. Also used on Trimline Series and Commercial 625, 650 Series.

Manual Reset (Plate 11)

Figure 13: Manual Reset - All Legacy Commercial Models



Item #	Part Description	Current Part Number	Previous Part Number	Quantity
1	Switch Box Assembly, (Includes 2, 8-11, 29-38) ¹	T08368-01	-	1
2	Switch Box Only ¹	W01098-11	-	6
3	Switch Box Cover ¹	N18286-10	-	2
4	Bolt 5/16-18" x 1" ¹	N15598-44	-	2
5	Screw 10-32 x 3/4" ¹	K05563	-	1
6	Lock washer #10 ¹	K03516	-	1
7	Power Switch and Bracket ¹	N18720	-	1
8	Operating Handle Kit (Includes 8a-b) ¹	K33919	-	1
8a	Operating Handle ¹	N18857	-	1

Item #	Part Description	Current Part Number	Previous Part Number	Quantity
8b	Spiral Pin 3/16" dia. x 1-1/14" ¹	Q10038-03	-	1
9	Shaft, Drilled ¹	K85954-01	-	1
10	Washer ¹	K85916	-	1
11	Tee Bolt (5/16-18 x 1-1/4") ¹	K83759-21	-	3
12	Flange Nut 5/16-18 ¹	Q11890-05	-	3
13	Nyliner Bearing 7/16" x 3/8" ¹	K80567-25	-	1
14	Operating Lever Assembly, Singles (Includes 14a-d) ¹	K85321-02	-	1
	Operating Lever Assembly, Duals (Includes 14a-d)	K85420-02	-	1
14a	Groove Pin, Type #11/8" x 3/4" ¹	K76071	-	1
14b	Lever (Singles) ¹	N22249-01	-	1
	Lever (Duals) ¹	N22249-03	-	1
14c	Countershaft Rod (Singles) ¹	K85348-02	-	1
	Countershaft Rod (Duals) ¹	K85421	-	1
14d	Groove Pin, Type #5 1/8" x 3/4" ¹	K46992	-	1
15	Spring (Singles Only) ¹	K51197	-	1
16	Coupling Assembly (Includes 17, 14B) ¹	K85959-02	-	1
17	Coupling ¹	K85959-01	-	1
18	Clevis Clip (Left) ¹	K77192-21	-	1
19	Connecting Link ¹	K85147	-	1
20	Clevis Clip (Right) ¹	K77192-22	-	1
21	Nut 1/4-20 ¹	K01932	-	2
22	Groove Pin 5/32" x 3/4" ¹	K42757-28	-	1
23	Lower Operating Lever ¹	K85034-01	-	1
24	Adjusting Screw 1/4-20 x 1-1/4" ¹	K03420	-	2
25	Spacer bushing ¹	K85170	-	1
26	Nylon Washer 7/8" ¹	K83513-02	-	1
27	Cam ¹	N18330	-	1
28	Nylon Washer 3/4" ¹	K83513-03	-	2
29	Spacer ¹	K85169	-	1
30	Cam Detent Spring ¹	K85343	-	1
31	Taper Pin, #1 (3/4") ¹	K02101	-	1
32	Operating Driver Lever ¹	K85049-01	-	1
<i>1. Also used on Trimline series and commercial 625, 650 Series.</i>				