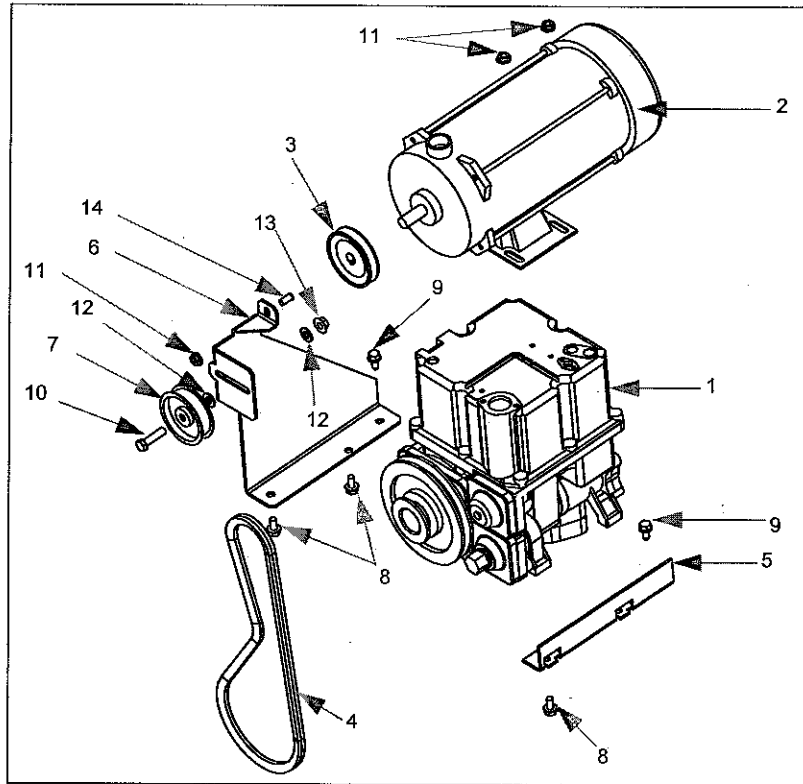


# 12 – Self-contained Pump Section

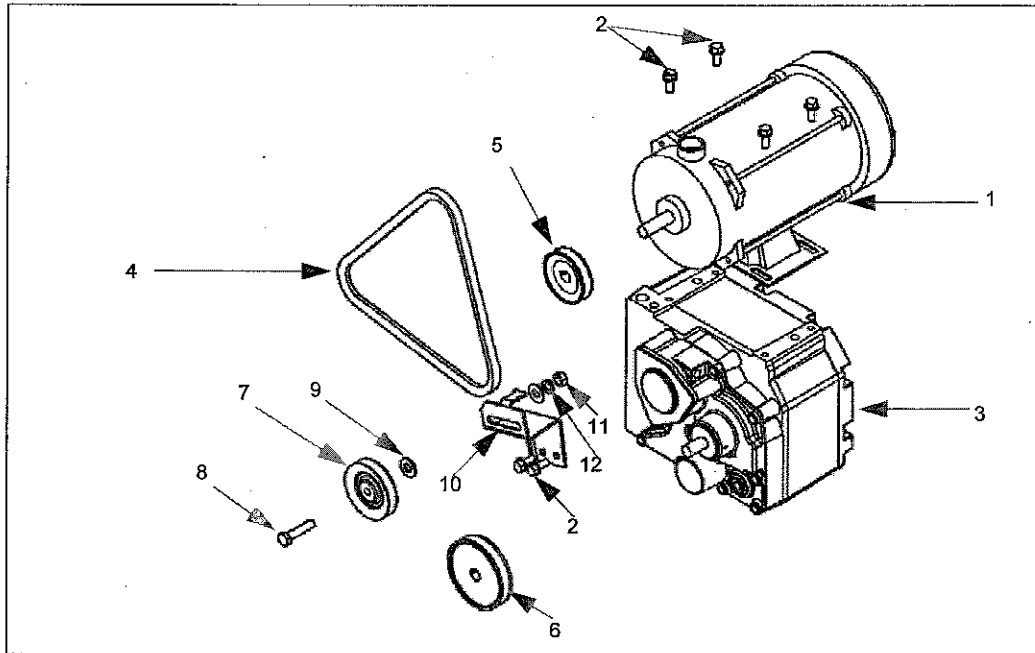
## Global Pumping Unit (GPU) and Motor Assembly



Item #	Description	Current Part	Previous Part	Quantity
1	GPU Pump	M04920B003	M04920B002	1
2	Motor, 1 ph, 3/4HP 110/220-230 V 50/60 Hz (Top Hub Orientation)	M01068B102	-	1
	Motor, 1 ph, 3/4HP 110/220-230 V 50/60 Hz (Side Hub Orientation)	M01068B103	-	1
	Motor, 3 ph, 3/4HP 220/380 V 50/60 Hz (Top Hub Orientation)	M01068B301	-	1
	Motor, 3 ph, 3/4HP 220/380 V 50/60 Hz (Side Hub Orientation)	M01068B302	-	1
3	Pulley, 60 Hz	R18900-27	-	1
	Pulley, 50 Hz	R18900-32	-	
4	Belt, 39 inch	R06711-59	-	1
	Belt, 40 inch	R06711-61	-	
5	Pump Mounting Bracket	M05332B001	-	1
6	Pump and Idler Mounting Bracket	M05332B002	-	1
7	Idler Pulley	047009	-	1
8	Screw, M8 X 16 mm	-	-	3
9	Screw, M8 X 18 mm Thread Forming	-	-	2
10	Bolt, Hex with Ext Lockwasher 3/8-16	-	-	1

Item #	Description	Current Part	Previous Part	Quantity
11	Nut, M8	-	-	3
12	Washer 3/8 inch Standard	-	-	2
13	Nut, Hex with Ext Lockwasher 3/8-16	-	-	1
14	Stud, Self Clinching 8 mm X 18 mm	-	-	1

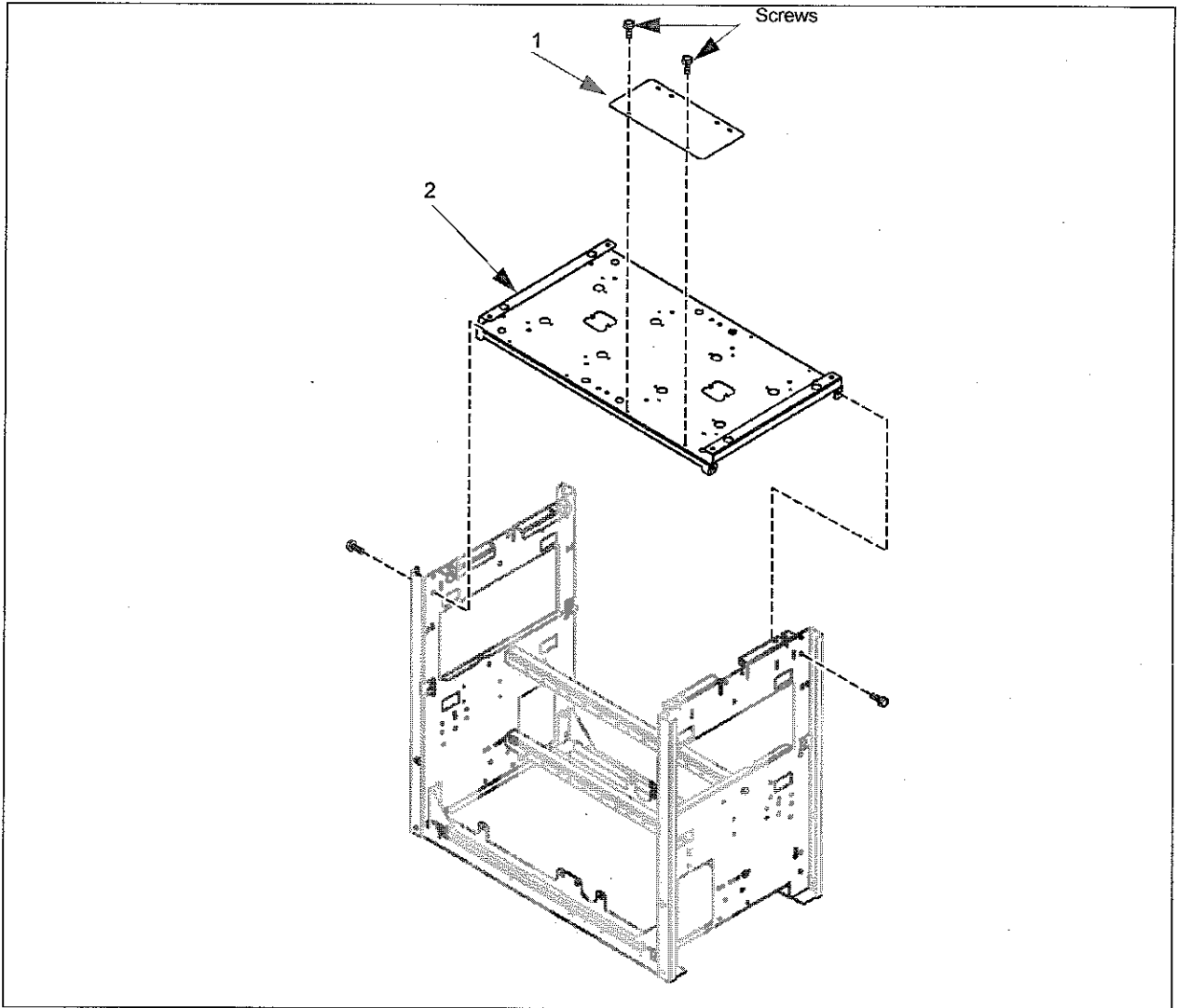
## Pumping and Motor Assembly (Prior to April 2006)



Item #	Description	Current Part	Previous Part	Quantity (see note 1)
	Pumping Module Assembly, 3 ph 60 Hz	-	M01069A105	-
	Pumping Module Assembly, 3 ph 50 Hz	-	M01069A106	-
	Pumping Module Assembly, 1 ph 60 Hz	-	M01069A107	-
	Pumping Module Assembly, 1 ph 50 Hz	-	M01069A108	-
1	Electric Motor, 1 ph, 3/4HP 220/380 V 50/60 Hz (See Note 2)	M01068B101	-	1
	Electric Motor, 3 ph, 3/4 HP 110/220-230 V 50/60 Hz (See Note 2)	M01068B301	-	1
2	Screw, M8 X 20	-	-	6
3	Pumping Unit, 90 lpm 30 psi, Standard	M00955B207	-	1
4	Belt, 32 inch	R06711-39	-	1
5	Pulley, A Belt 2.60 PD	R18900-28	-	1
6	Pulley, 4L Belt 3.00 PD for 50 Hz (See Note 2)	R18900-32	-	1
	Pulley, 4L Belt 3.50 PD for 60 Hz (See Note 2)	R18900-39	-	1
7	Pulley, Idler M10 Bore	M01151B001	-	1

# 13 – Air Gap Area Section

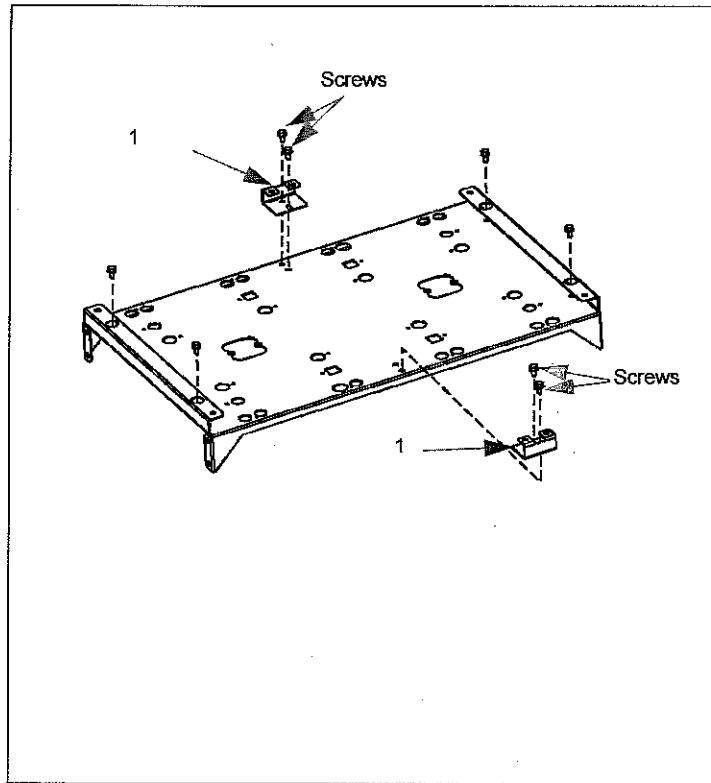
## Air Gap and Blanking Plates



Item #	Description	Current Part	Previous Part	Quantity
1	Manifold Lower Blanking Plate	M02960B001	-	1
2	Air Gap Plate	M02887B001	-	1
	• Screw, Metric M8 X 18	-	-	4

# Air Gap Plate with Bracket (Encore 300, 500, Ultra-Hi Units)

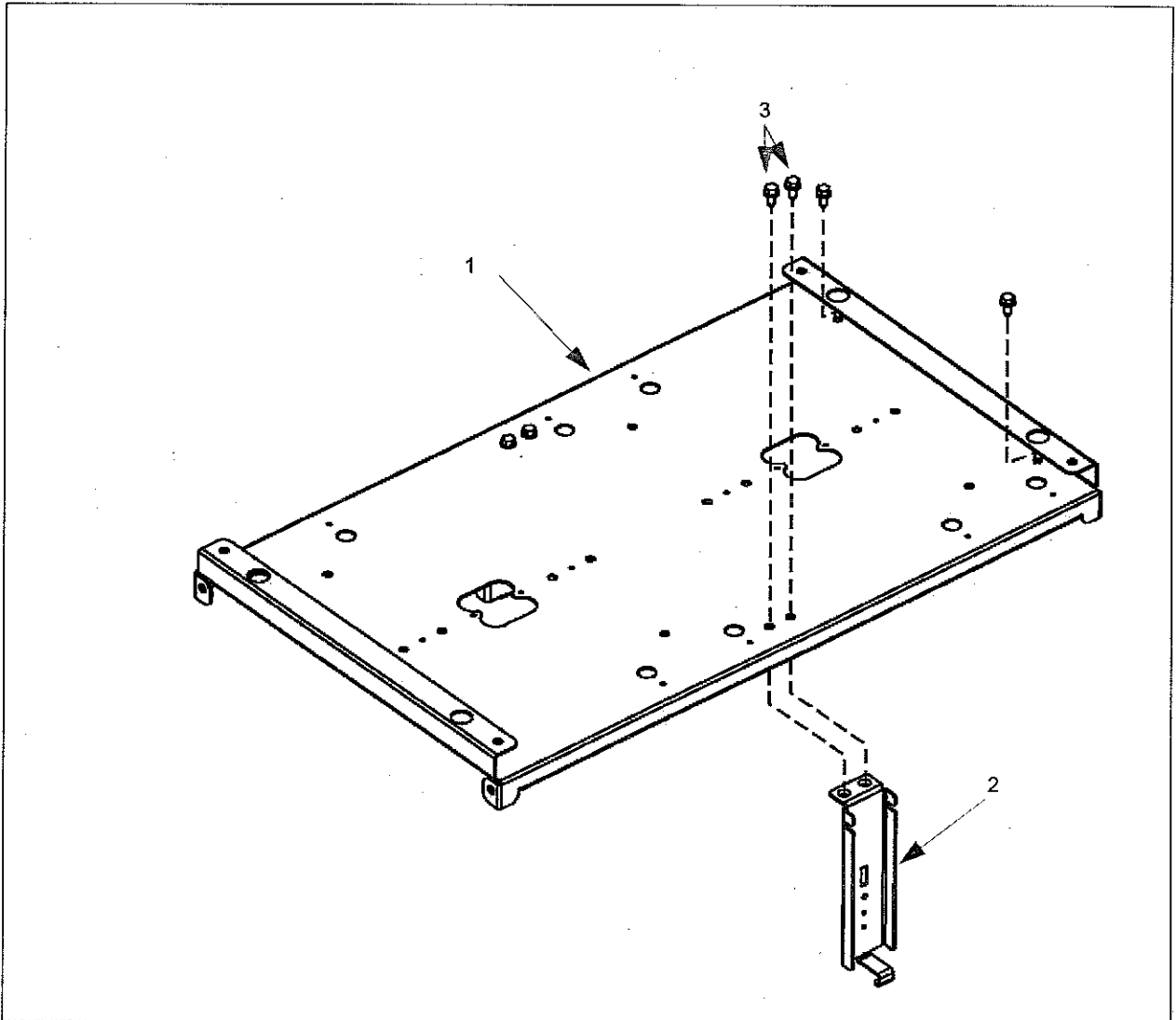
Used on Units Built before July 2005



Item #	Description	Current Part	Previous Part	Quantity
	Lower Frame Air Gap Plate	-	M00407B003	1
1	Air Gap Support Bracket	-	M01430B001	2
-	• Screw, Metric M8 X 18	-	-	8
<i>Note: Use metric hardware kit K96620-01 (includes screws, nuts, bolts) to replace fasteners.</i>				

# Air Gap Area Section (Ecometer and Encore 550 - SMART Meter)

## Air Gap and Blanking Plate



Item #	Description	Current Part	Previous Part	Quantity
1	Air Gap Plate	M03120B001	-	1
2	Bracket, Lower Panel Lock	M02975B001	-	1
3	• Screw, Metric M8 X 18 (See Note)	-	-	8
-	Air Gap Blanking Plate (Not Shown)	M03658B001	-	1
-	• Screw, Metric M5 X 10 (See Note) (Not Shown)	-	-	-

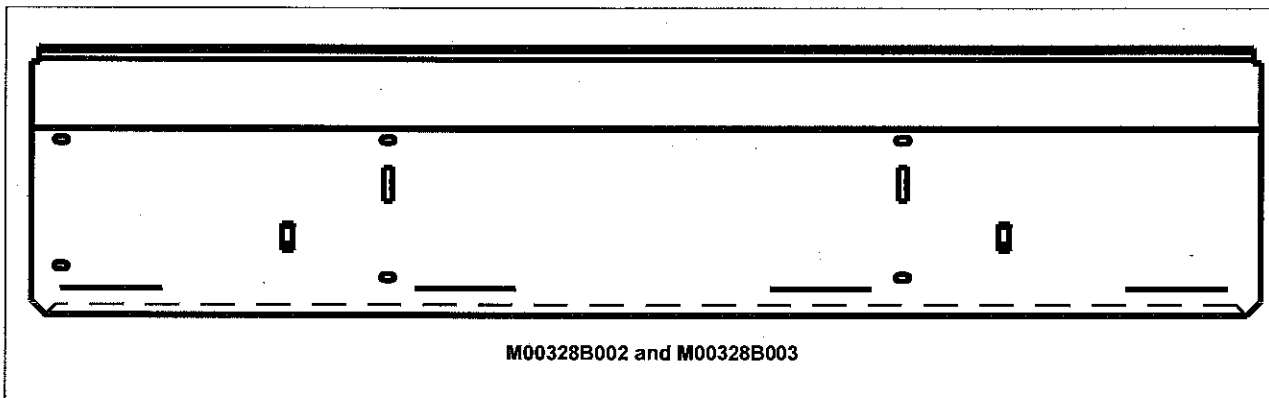
Note: Refer to kit K96620-01 (includes screws, nuts, bolts) to replace fasteners.

### Air Gap Area Section (Ecometer Option)

Item #	Description	Current Part	Quantity
1	Air Gap Plate	M03120B001	1
2	Air Gap Blanking Plate	M03658B001*	1
3	Air Gap Blanking Plate	M03765B001	1
4	Air Gap Blanking Plate	M03659B001	1
5	Air Gap Blanking Plate	N23746-01	1

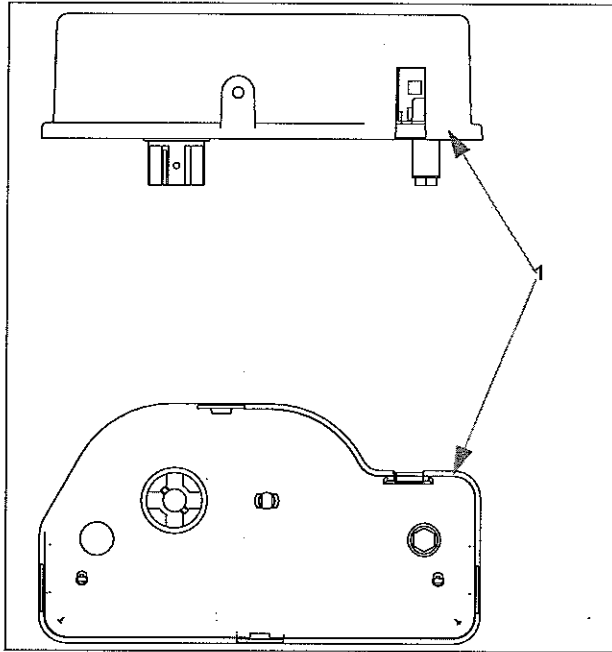
\* This part is present in Encore 550 units with SMART Meter.

### Air Gap Main Door Panel (Encore 500 and 550)



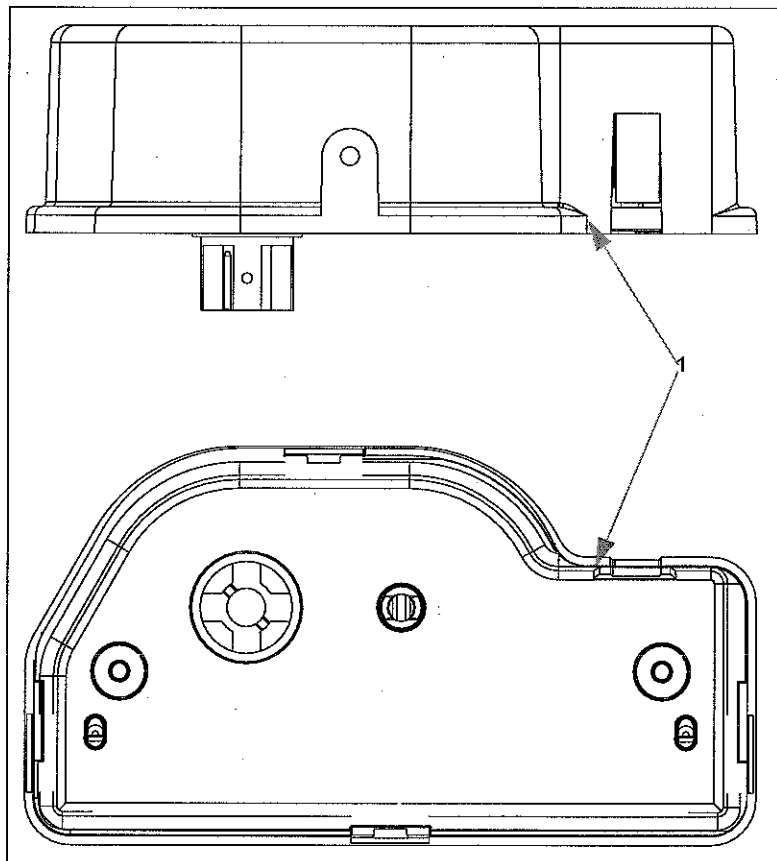
Item #	Description	Current Part	Previous Part	Quantity
1	Air Gap Main Door Panel	M00328B002	-	1
		M00328B003	-	1

# Pulser Assembly



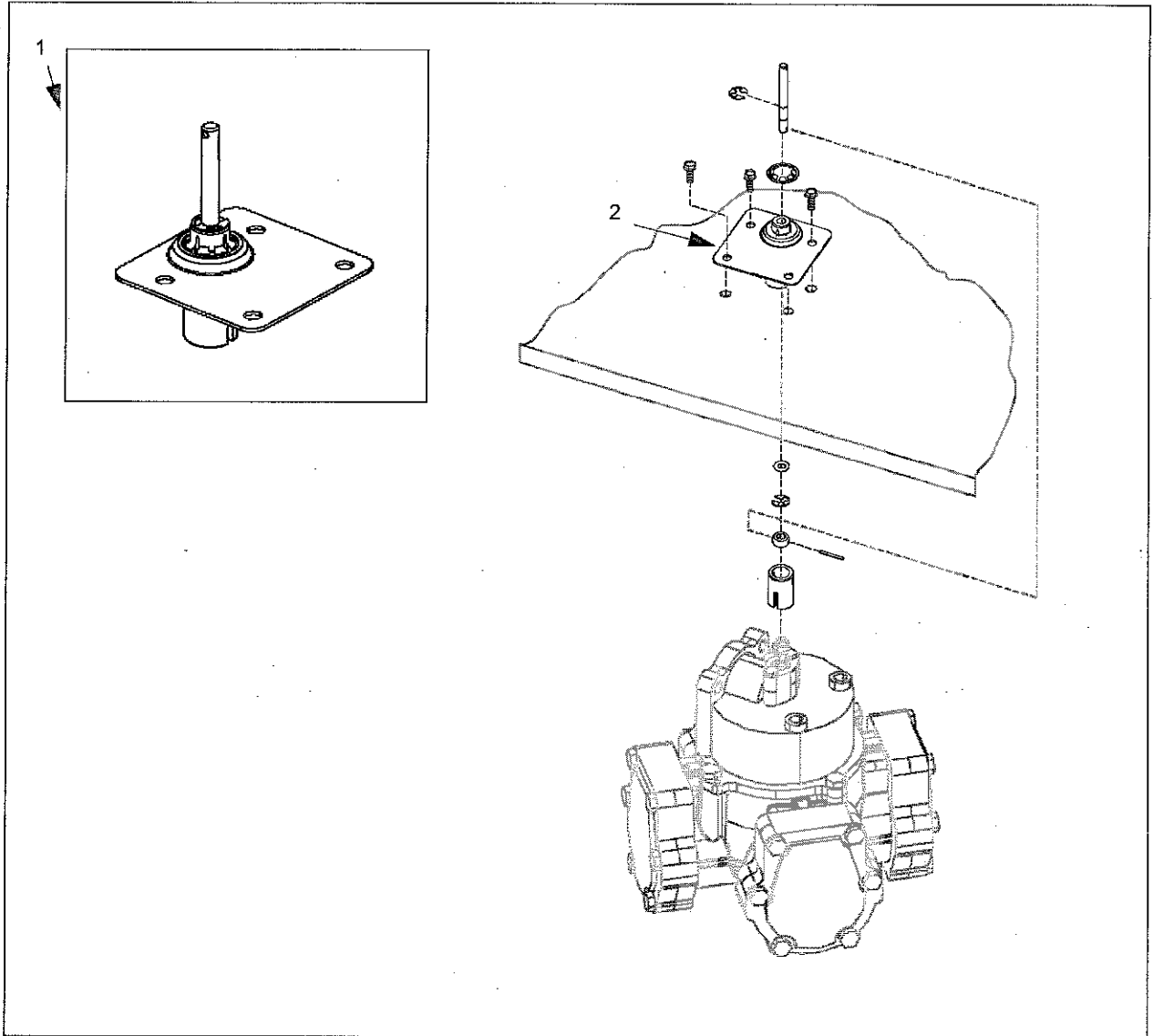
Item #	Description	Current Part	Previous Part	Quantity
1	Pulser Assembly	T18350-G1	-	1

# Pulser Assembly (Modified)



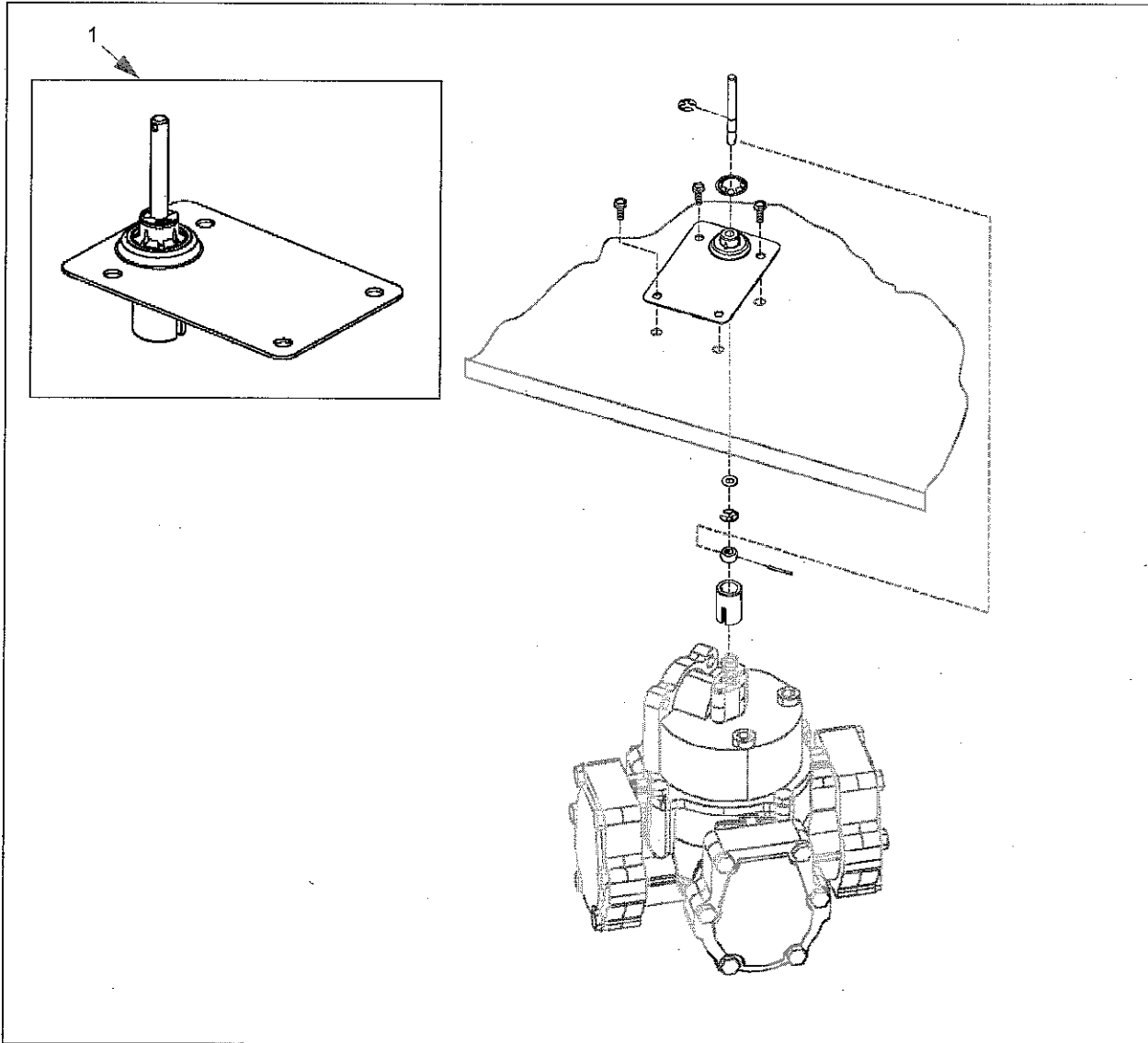
Item #	Description	Current Part	Previous Part	Quantity
1	Pulser Assembly	K93809	-	1

# Lower Pulser Seal



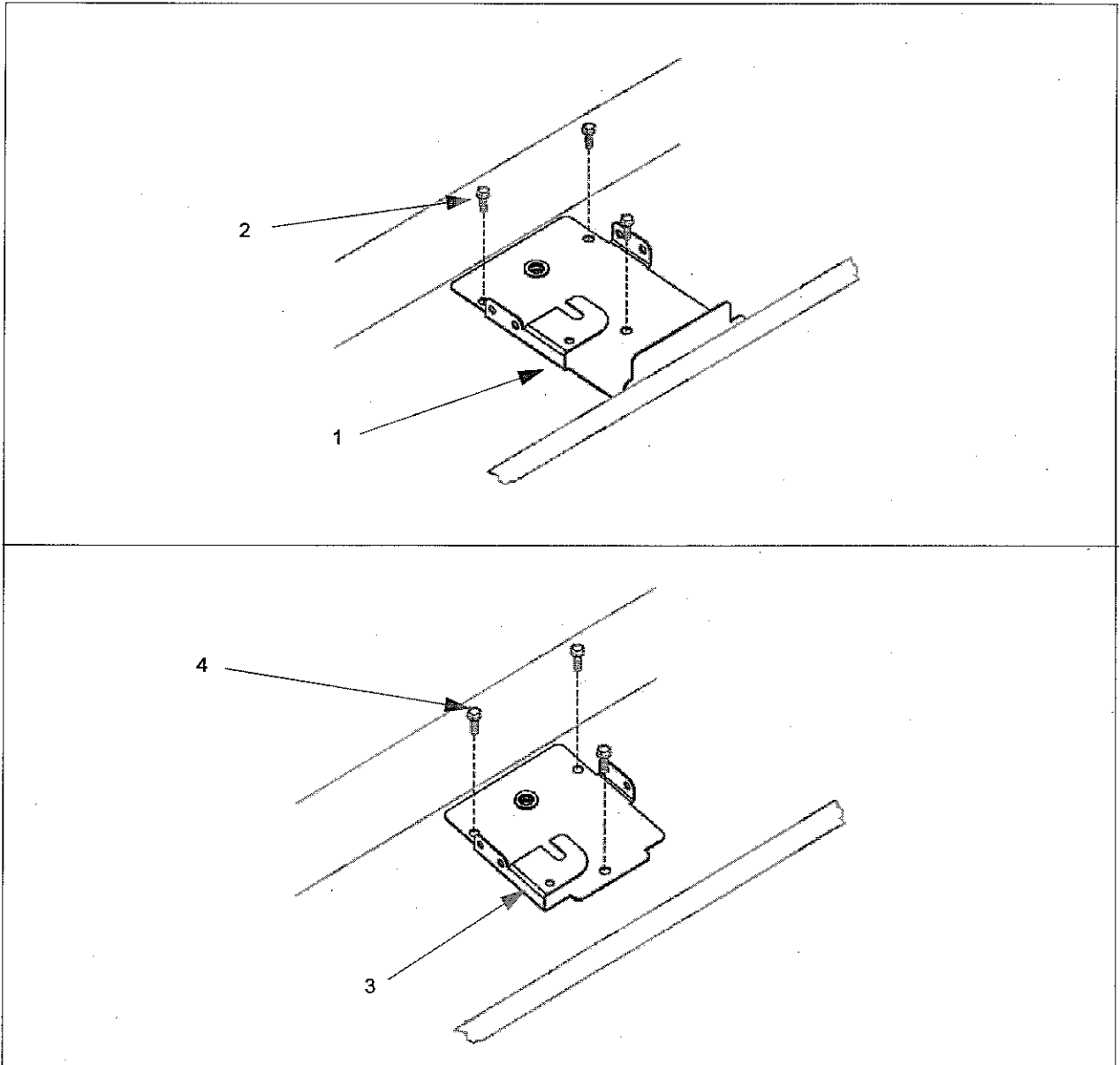
Item #	Description	Current Part	Previous Part	Quantity
1	Lower Pulser Seal Assembly	M03023A001	-	1
2	Plate, Lower Pulser Assembly	M03015A001	-	1

# Lower Pulser Assembly



Item #	Description	Current Part	Previous Part	Quantity
1	Lower Pulser Assembly	M00977A001	-	1
2	Plate, Lower Pulser Seal	M00140A001	-	1

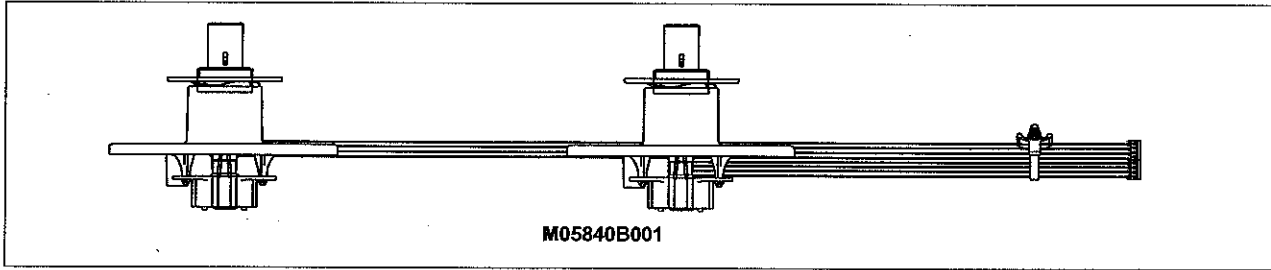
# Upper Pulser Seal Plates



Item #	Description	Current Part	Previous Part	Quantity
1	Upper Pulser Seal Plate (Encore 300)	-	M02366A001	1
2	• Screw, Metric M5 X 10 (See Note)	-	-	6
3	Upper Pulser Seal Plate (Encore 300)	M02366A002	-	1
4	• Screw, Metric M5 X 10 (See Note)	-	-	6

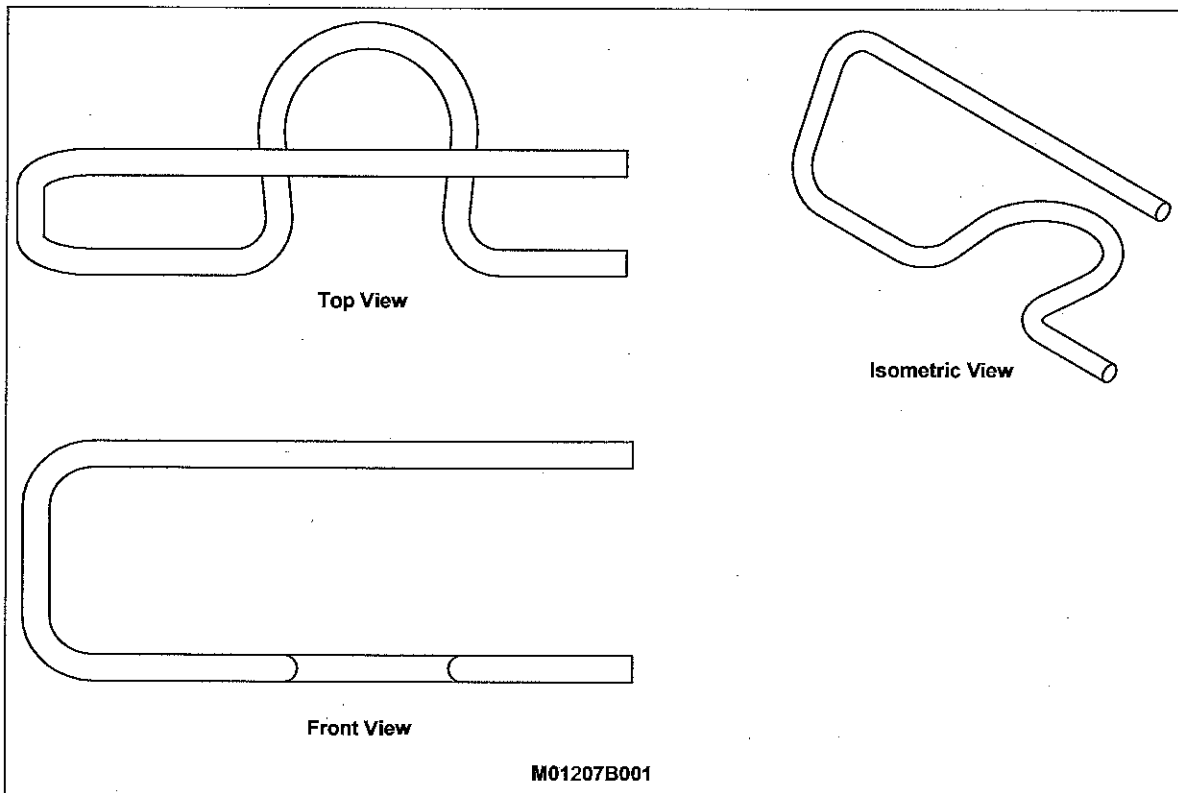
Note: Use metric hardware kit K96620-01 (includes screws, nuts, bolts) to replace fasteners.

# Combined Pulser Encore 500



Item #	Description	Current Part	Previous Part	Quantity
1	Combined Pulser (Encore 500)	M05840B002	M05840B001	1

# Pulser Shaft Retainer Spring



Item #	Description	Current Part	Quantity
1	Pulser Shaft Retainer Spring	M01207B001	1