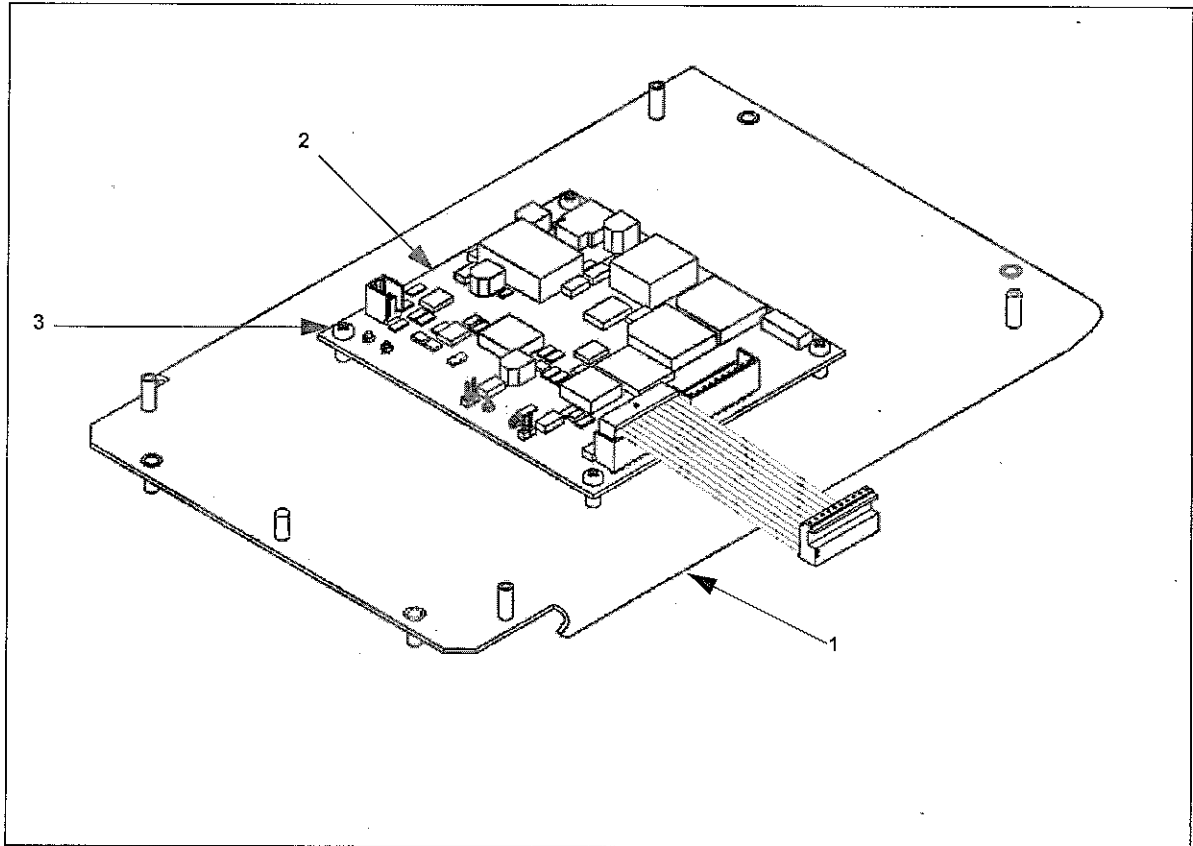


# 16 – Options Section (Encore 300/500, Encore S)

## ATC Electronics (Encore 500)



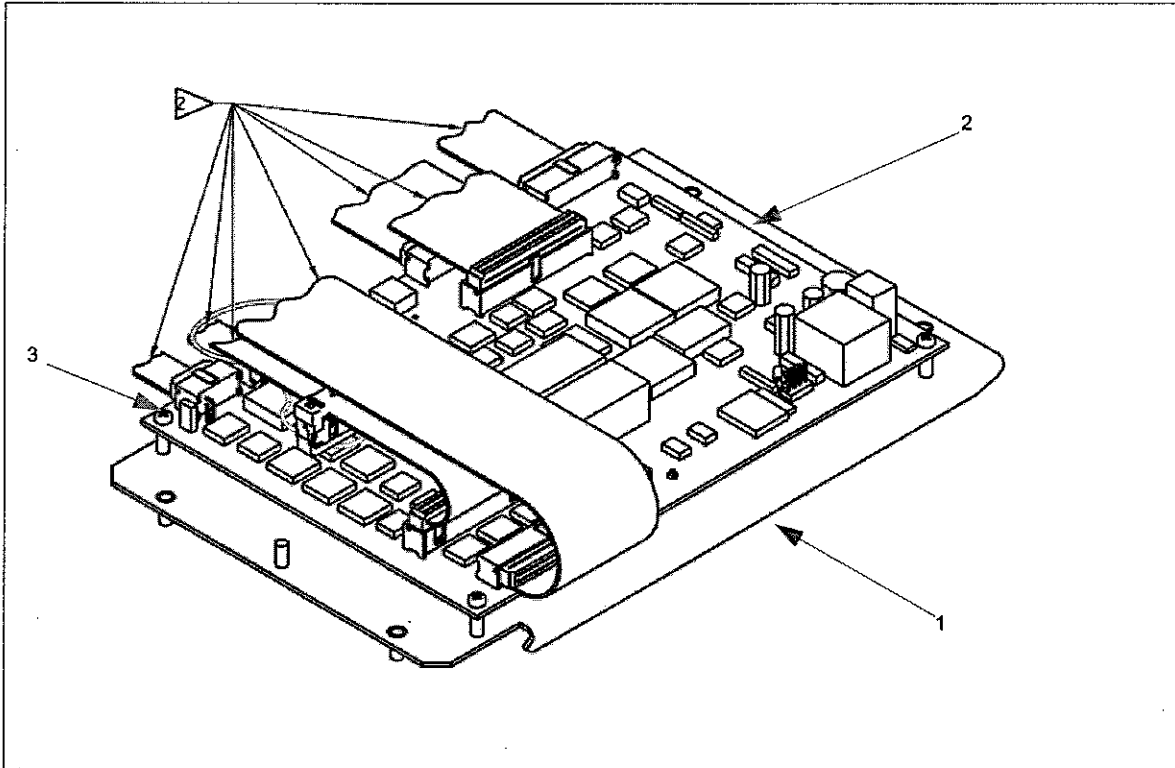
Item #	Description	Current Part	Previous Part	Quantity
ATC Electronics Assembly (See Note 1)		M01948A001	-	1
1	ATC Electronics Mounting Bracket	M01947A002	M01947A001	1
	• Standoff, M3 X 8, Self-clinching	-	-	4
	• Standoff, M3 X 12, Self-clinching	-	-	4
2	PCA ATC Node	M00068A001	-	1
3	• Screw, Metric Pan Head, M3 X 12	-	-	4
4	Cable, LON Bus (Not Shown)	(see note 2)	-	1

**Notes:**

1. ATC Electronics assembly M01948A001 include items 1 through 4.

2. Refer to "Cable Assemblies (E500/Ultra-Hi/E550/Encore S)" on page 5-1 for additional information.

## ATC Electronics (Encore 300)



Item #	Description	Current Part	Previous Part	Quantity
ATC Electronics Assembly (See Note 1)		M01948A002	-	1
1	ATC Electronics Mounting Bracket	M01947A002	M01947A001	1
-	• Standoff, M3 X 8, Self-clinching	-	-	4
-	• Standoff, M3 X 12, Self-clinching	-	-	4
2	PCA Optimum ATC, Grade 4	T20569-G1	-	1
3	• Screw, Metric Pan Head, M3 X 12	-	-	4
4	Cable, ATC Main Interface (Not Shown)	(See Note 2)	-	1
5	Cable, ATC Calibration (Not Shown)	(See Note 2)	-	1
6	ATC Software Kit (Not Shown)	(See Note 3)	-	1

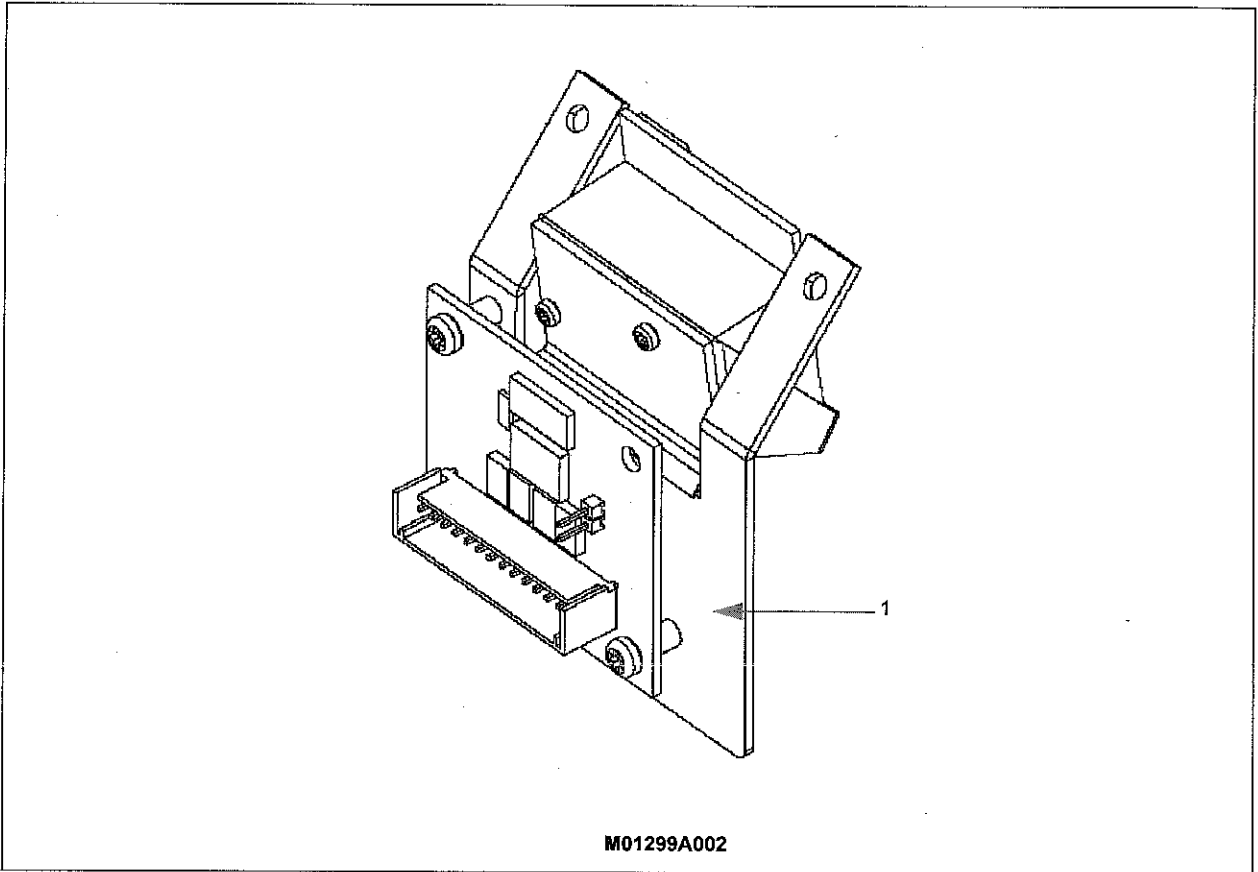
**Notes:**

1. ATC Electronics Assembly M01948A002 include items 1 through 6.

2. Refer to "Cable Assemblies Section (Encore 300 and Encore 300 Ultra-Hi)" on page 8-1 for additional information.

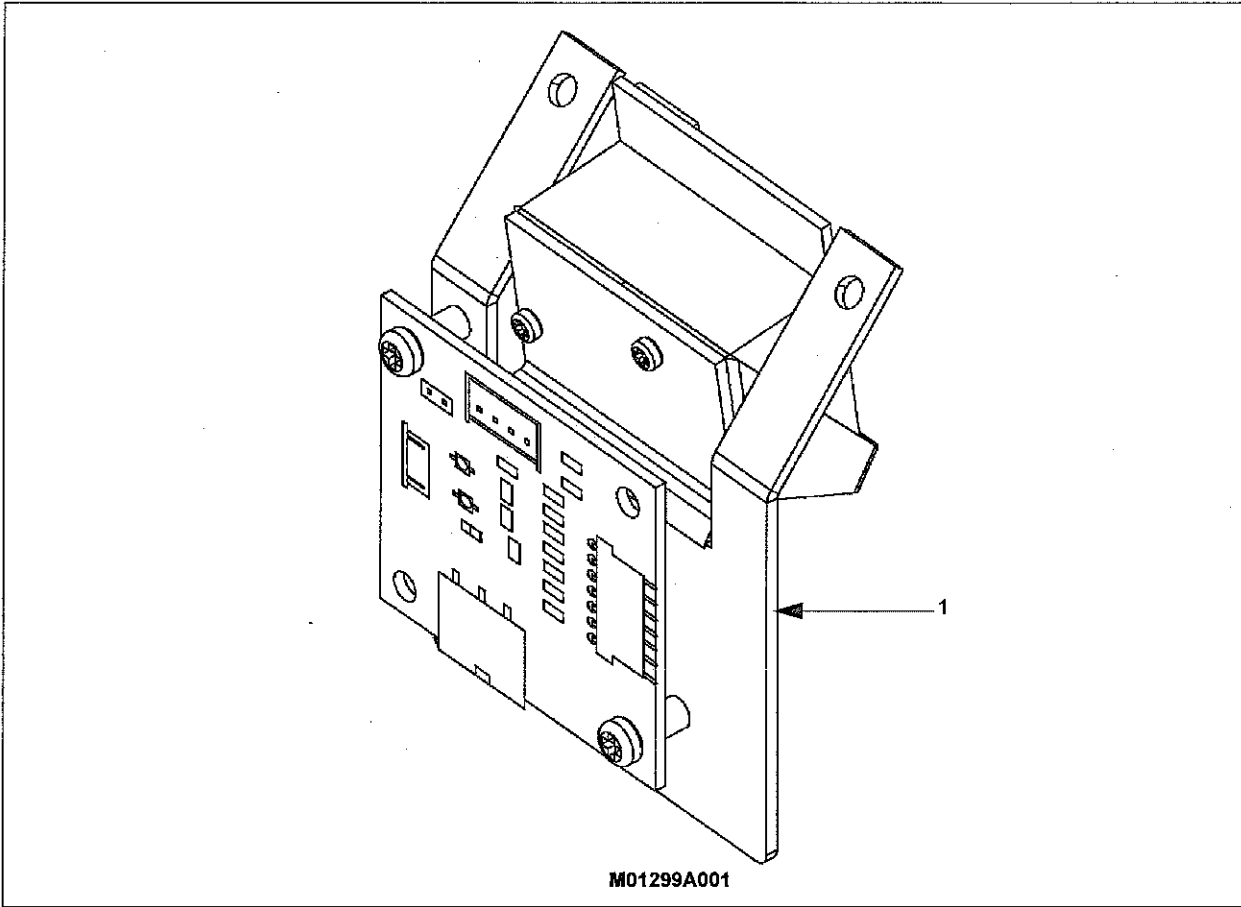
3. ATC Software kit current part number is K94160-02.

# Bar Code Scanner Assembly (Encore 300)



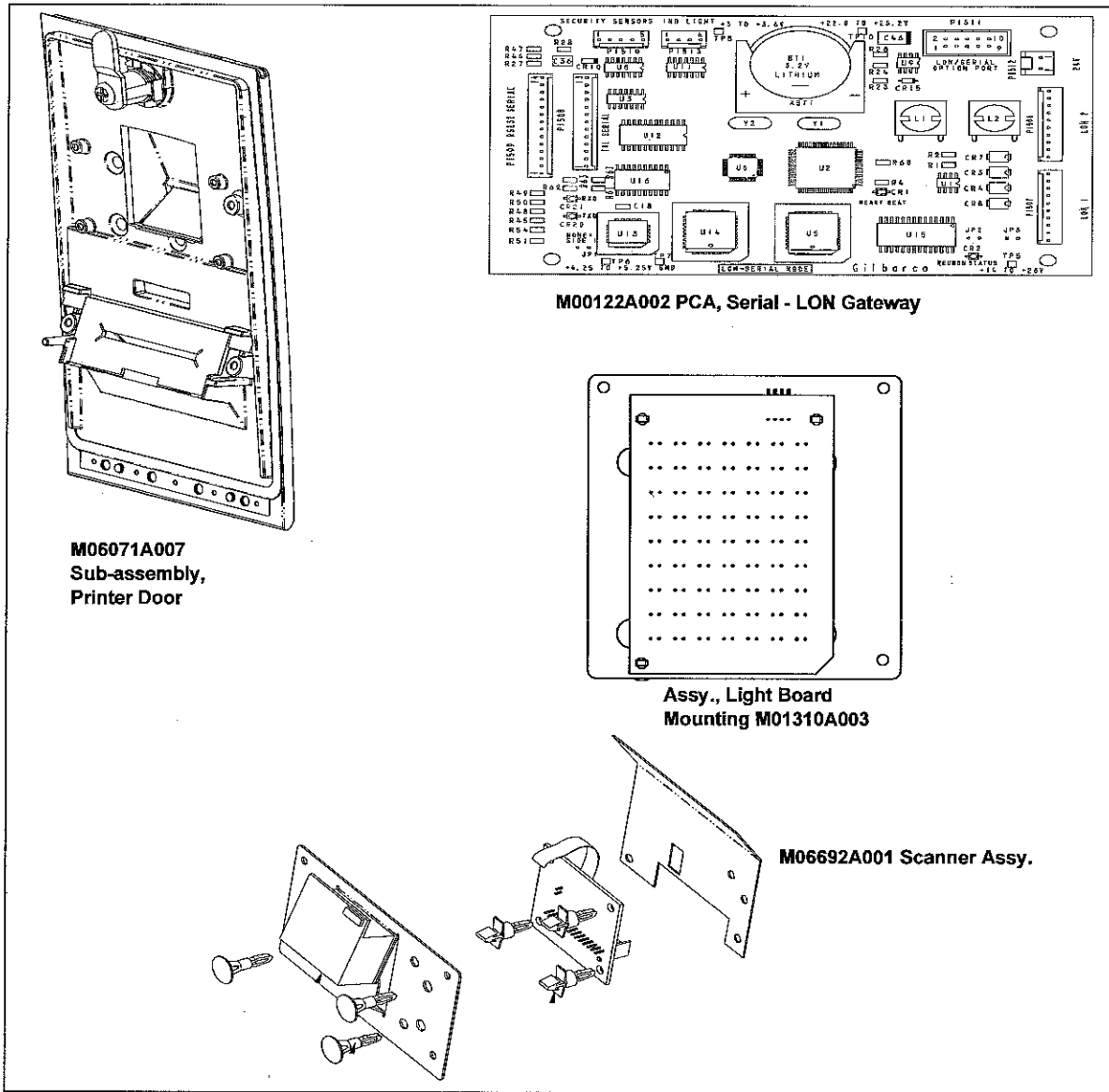
Item #	Description	Current Part	Previous Part	Quantity
1	Barcode Scanner Assembly	M01299A002	-	1

# Bar Code Scanner Assembly (Encore 500)



Item #	Description	Current Part	Previous Part	Quantity
1	Barcode Scanner Assembly	M01299A001	-	1

# Bar Code Scanner Assembly Option (Encore S Series)



**M06071A007**  
Sub-assembly,  
Printer Door

**M00122A002 PCA, Serial - LON Gateway**

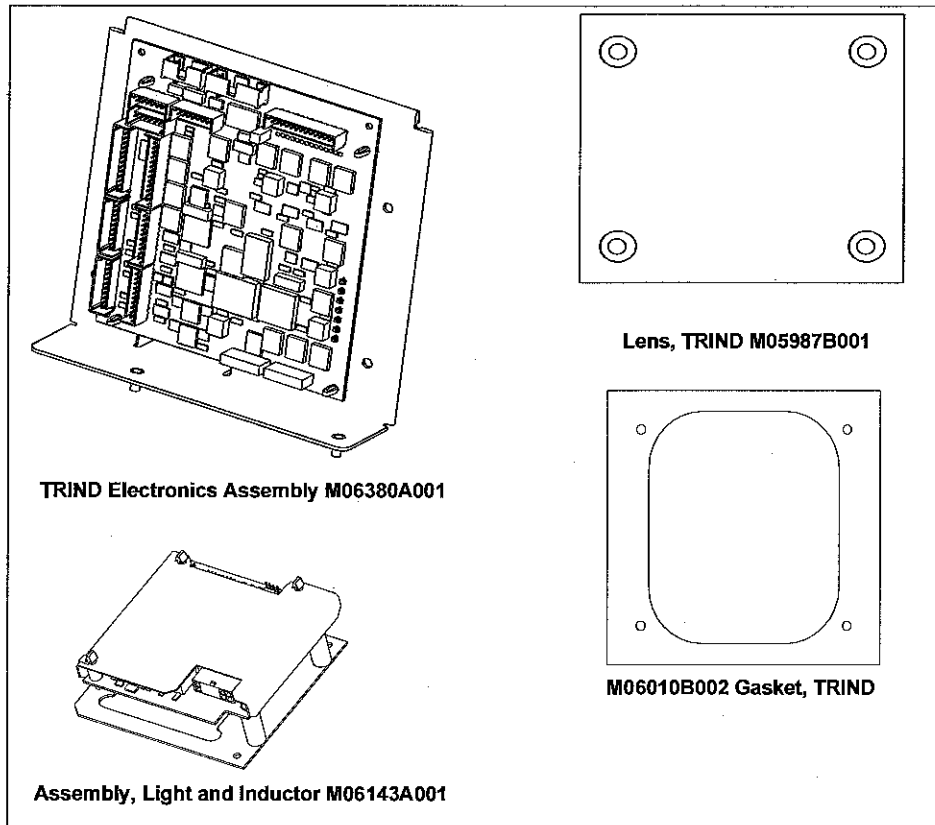
**Assy., Light Board  
Mounting M01310A003**

**M06692A001 Scanner Assy.**

Item #	Description	Part Number	Quantity
1	Sub-assembly, Printer Door	M06071A007	-
2	PCA, Serial - LON Gateway	M00122A002	1
3	Label, Laser Light	M02994B202	1
4	Assy, Scanner	M06692A001	1
5	Assy, Light Board Mounting	M01310A003	1
6	Lens, TRIND (Refer table on next page)	M05987B001	1
7	Gasket, TRIND Lens (Refer table on next page)	M06010B002	1

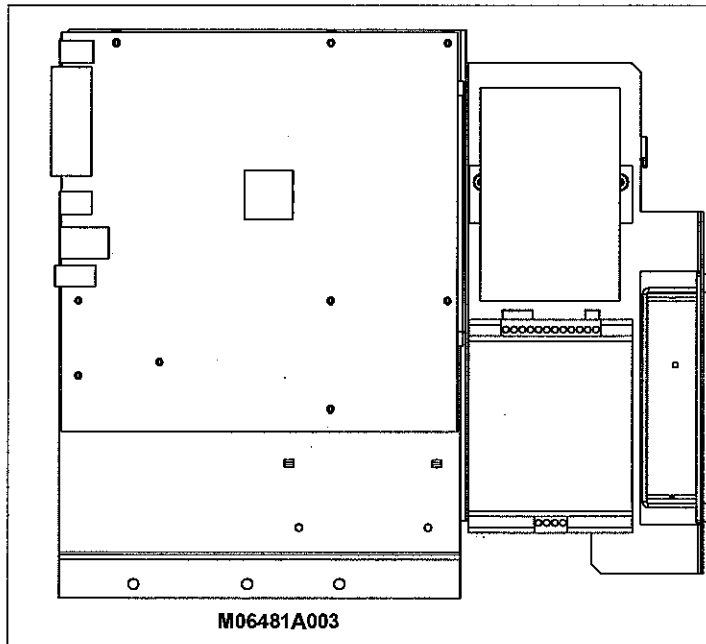
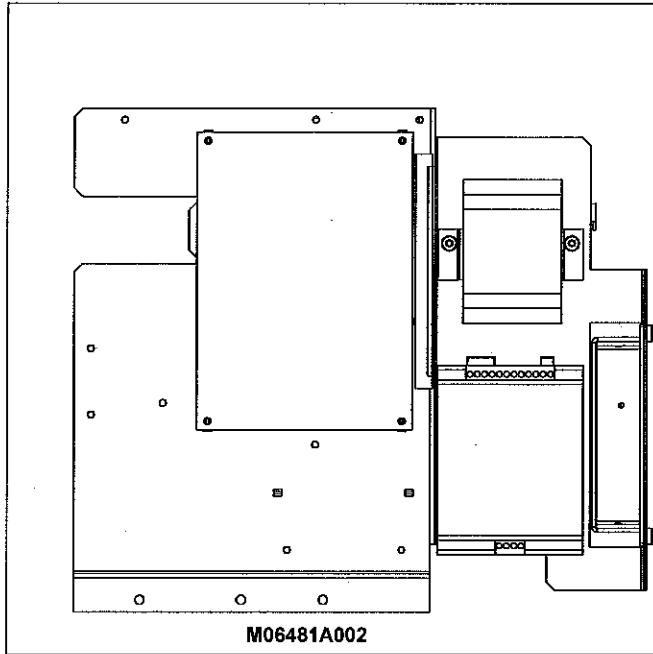
Note: M06071A007 is an order entry item and must be specified during order entry.

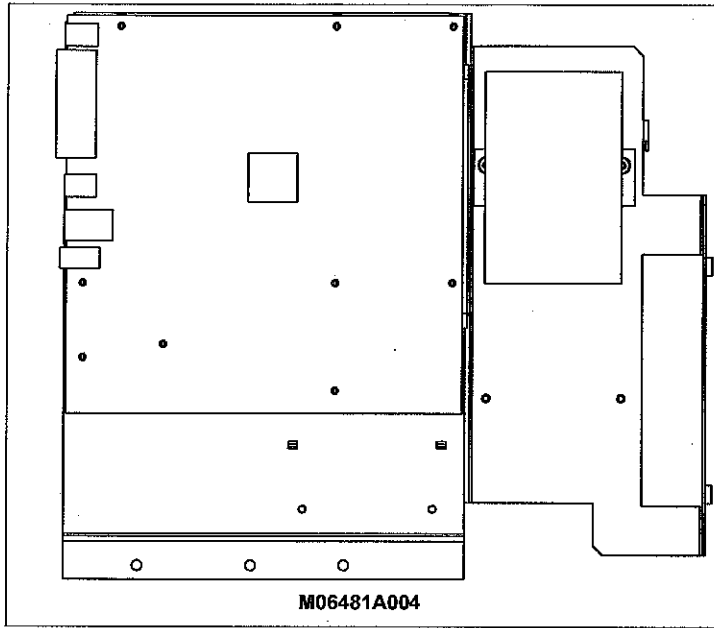
## TRIND Electronics Assembly (Encore S Series)



Item #	Description	Part Number	Quantity
1	Assembly, TRIND Electronics	M06380A002	1
2	Assembly, Light and Inductor	M06143A001	2
3	Lens, TRIND	M05987B001	2
4	Gasket, TRIND	M06010B002	1

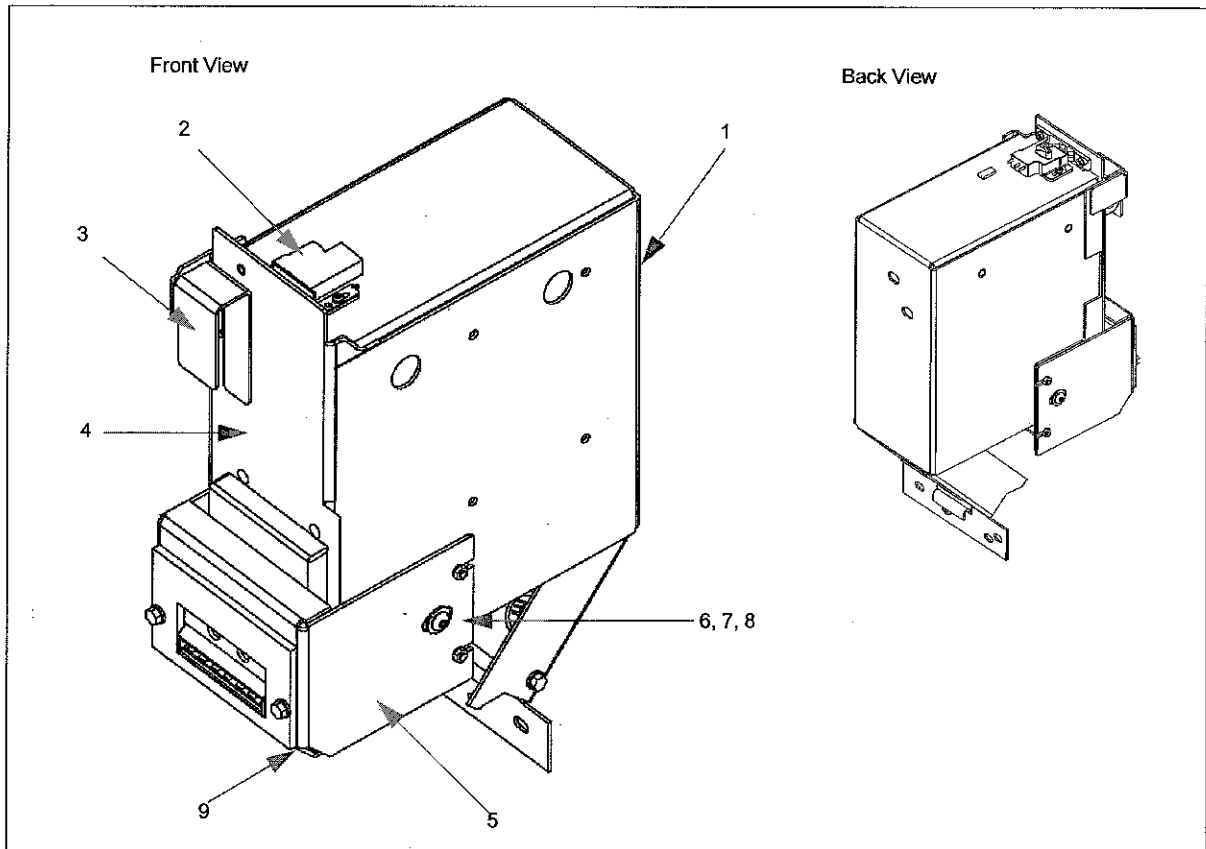
# SMART CRIND Option (Encore S Series)





Item #	Part Description	Current Part	Quantity
1	Color SMART CRIND Assembly	M06481A004	1

# Cash Acceptor Assembly (Encore 500 and Encore 300)



Item #	Description	Current Part	Previous Part	Quantity
	Cash Acceptor Assembly (Encore 300) (See Note 1)	M01271A006	M01271A004	1
-	Cash Acceptor Assembly (Encore 500) (Reference Only)	M01271A005	M01271A001	1
	Cash Acceptor Assembly (Encore 300) (Reference Only)	M01271A006	M01271A002	1
	Cash Acceptor Assembly (Encore 500) (Reference Only)	M01271A005	M01271A003	1
1	Main Bracket Note Acceptor Assembly	M01271A005	M01172A002	1
2	Door Latch (with Micro Switch)	M01271A006	M01383A001	1
3	Hook, Note Acceptor Lock	M01271A005	M01274B002	1
4	Mounting Bracket Note Acceptor Assembly	M01174A003	M01174A002	1
5	Note Acceptor Bracket	M01173B001	-	1
6	• Screw, Button Cap Head, (Tamper Proof) Thd 1/4 - 20	-	-	2
7	• Spacer, Note Acceptor	M01385B001	-	2
8	• Standard Burr Tabulation, 0.266 X 0.625 X 0.05	K14056	-	2
9	Cash Acceptor Bezel Face Gasket	M02078B003	-	1
10	Note Acceptor Bezel Face Gasket (Not Shown)	M02076B002	-	1
11	Note Acceptor (Inner) Bezel Face Gasket (Not Shown)	M02077B002	-	1

Item #	Description	Current Part	Previous Part	Quantity
12	Filter, Power Line 2A/115-250 Vac (Not Shown)	Q10362-02	-	1
13	Cash Acceptor Line Filter Cable	(see note 2)	-	1
14	Gasket, Cash Acceptor Guide	M02223B001	-	1
-	Cash Acceptor with 700 Bill Cassette (See Note 3) (Not Shown)	M01251A001	-	1
	Cash Acceptor with 300 Bill Cassette (Not Shown)	M01251A002	-	1
	• Note Acceptor MARS (Not Shown)	M01251B001	-	1
	• Cassette, 700 Bill, LRC (Not Shown)	M01251B002	-	1
	• Cassette, 300 Bill, LRC (Not Shown)	M01251B003	-	1
	• Bill Programming Module (\$20 Upgrade) (Not Shown)	-	M01251B004	1

**Notes:**

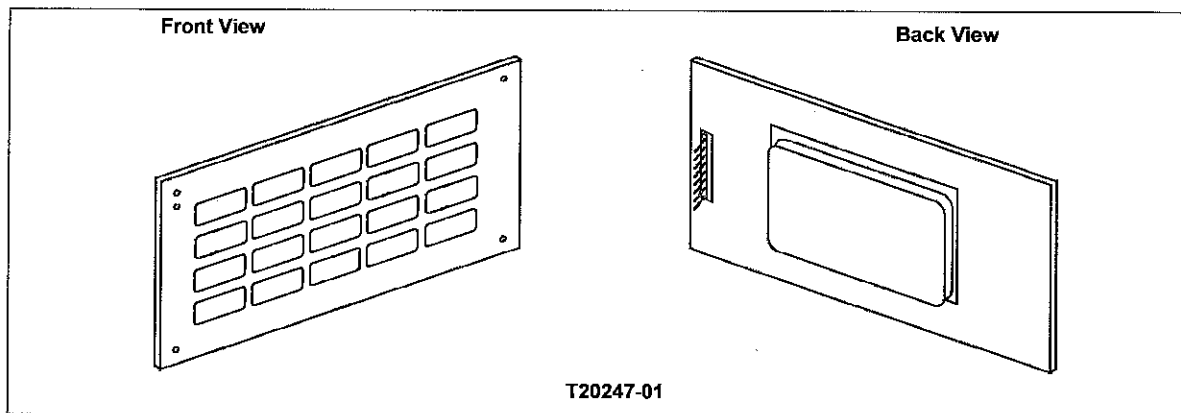
1. Cash Acceptor assembly M01271A004 include items 1 through 14.
2. Refer to "Cable Assemblies Section (Encore 300 and Encore 300 Ultra-Hi)" on page 8--1 and "Cable Assemblies (E500/Ultra-Hi/E550/Encore S)" on page 5--1.
3. Note Acceptor is used on Cash Acceptor assemblies M01271A001, M01271A002, M01271A004, and M01271A005.



Item #	Description	Current Part	Previous Part	Quantity
1	Assy Bracket Main Mounting Note Acceptor	M07421A001	-	1
2	Assy Bracket Note Acceptor	M01173A001	-	1
3	Assy Mounting Bracket Note Acceptor	M01174A005	-	1
4	Cable Note Acceptor LON and Power	M02154A002	-	1
5	Cable, Cash Acceptor Line Filter	M02367A004	M02367A002	1
6	Circuit Board Support	Q10651-49	-	4
7	Door Latch (with Micro Switch)	M01383A001	-	1
8	Filter, Power Line 2A/115-250 VAC	Q10362-02	-	1
9	Gasket Cash Acceptor Bezel Face	M02078B003	-	2
10	Gasket Note Acceptor Bezel Face	M02076B002	-	1
11	Gasket Note Acceptor Inner Bezel Face	M02077B002	-	1
12	Gasket, Cash Acceptor guide	M02223B001	-	1
13	Hook, Lock Note Acceptor	M01274B002	-	1
14	Note Acceptor AE2811 U5E	M01251A202	-	1
15	Nut, Metric, Hex with Ext M4 Blue	Q12885-05	-	12
16	Nut, Metric, Hex with Ext M6 Blue	Q12885-07	-	2
17	PCA LON - Serial Node	M00122A002	-	1
18	Screw Mertic Pan Head Sems M3 X 8	Q12845-34	-	2
19	Screw, Button Cap Head Tamperproof Socket	Q13625-03	-	2
20	Screw, Tf, Hex Washer Head M5 X 10	M00417B101	-	2
21	Snap Bushing 13/16 ID 1 In MTG Hole	K85071-18	-	1
22	Spacer, Note Acceptor	M01385B001	-	2
23	Washer Burr, 0.266 X 0.625 X 0.05	K14056	-	2
24	Bracket Proximity Switch Mounting	M07615B001	-	1
25	Nut, Metric, Hex with Ext M3 Blue	Q12885-03	-	2
26	Switch Magnetic Reed	Q12514-06	-	1
27	Snap Lock Pin	Q10651-40	-	2
28	Cash Acceptor with 700 Bill Cassette (Not Shown)	M01251A001	-	1
	Cash Acceptor with 300 Bill Cassette (Not Shown)	M01251A002	-	1
	• Note Acceptor MARS (Not Shown)	M01251B001	-	1
	• Cassette, 700 Bill, LRC (Not Shown)	M01251B002	-	1
	• Cassette, 300 Bill, LRC (Not Shown)	M01251B003	-	1
	• Bill Programming Module (\$20 Upgrade) (Not Shown)	-	M01251B004	1

Note: Refer to "Cable Assemblies Section (Encore 300 and Encore 300 Ultra-Hi)" on page 8-1 and "Cable Assemblies (E500/Ultra-Hi/E550/Encore S)" on page 5-1.

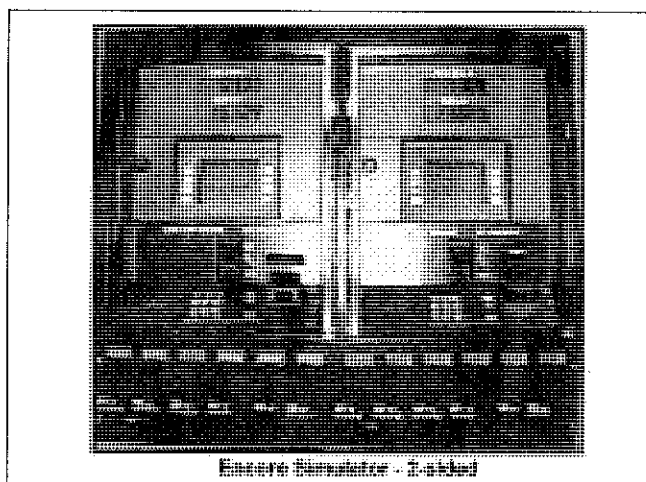
## SmartPad Assembly (Encore 300 and Encore 500)



Item #	Description	Current Part	Previous Part	Quantity
1	SmartPad Assembly	T20247-01	-	1
-	Cable, SmartPad (Not Shown)	(See Note)	-	-

*Note: Refer to "Cable Assemblies Section (Encore 300 and Encore 300 Ultra-Hi)" on page 8-1 and "Cable Assemblies (E500/Ultra-Hi/E550/Encore S)" on page 5-1.*

## Encore 300 and 500 Simulator

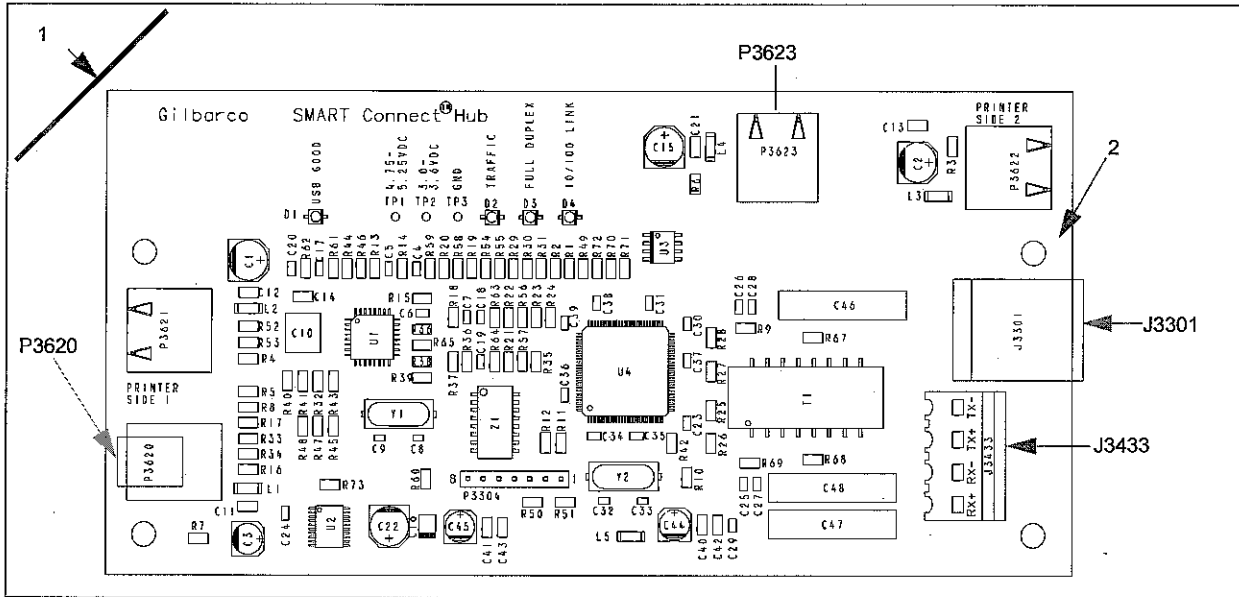


Item #	Description	Current Part	Previous Part	Quantity
-	Encore 300, Simulator Dispenser (Optimized™ Electronics)	ENC 300 SIM	-	1
-	Encore 500, Simulator Dispenser (Sandpiper™ Electronics)	ENC 500 SIM	-	1

**Notes:**  
 1. Gilbarco offers Encore Simulators for both Encore 300 and Encore 500 product lines that allow end users electronic/software testing.  
 2. How to order, contact a Gilbarco Customer Sales and Support Representative for questions and orders.

# SMART Connect™ Option

## SMART Connect PCB

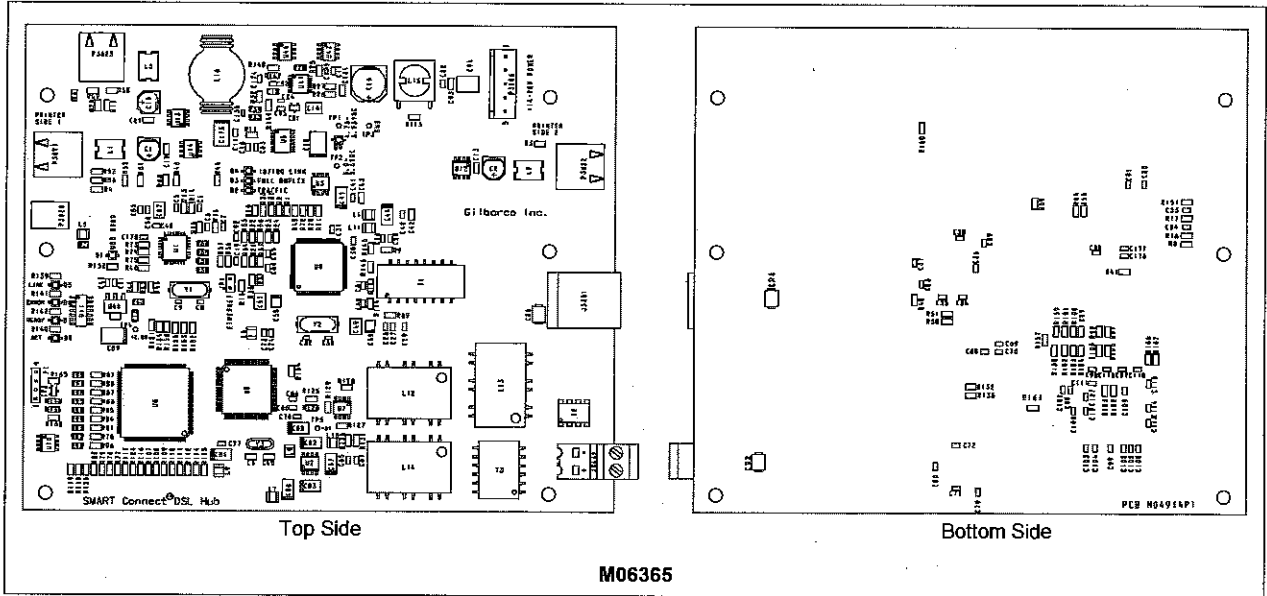


Item #	Description	Current Part	Previous Part	Quantity
1	PCA, SMART Connect	M03893A001	-	1
2	Standoffs (Used to attach the PCA to the Mounting Bracket)	-	-	4
3	• Cable, CPE Power SMART Connect (Not Shown)	M04987A001	-	1
	• Cable, Forecourt to CPE SMART Connect (Not Shown)	M04986A001	-	1
	• SMART LRE Client (Not Shown)	M04989B001	-	1

## Applause™ Media System Option

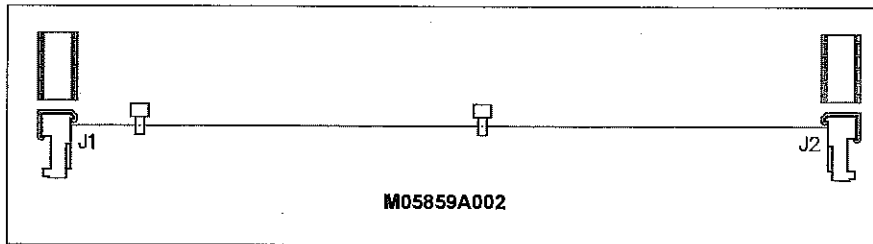
Item #	Description	Current Part
1	PIP Board	M09112A001
2	DSL Boards	M06365A002
		M06365A003
3	Cable, RS-232 24 V Power	M07746A002

# PCA, Controller with Isolation



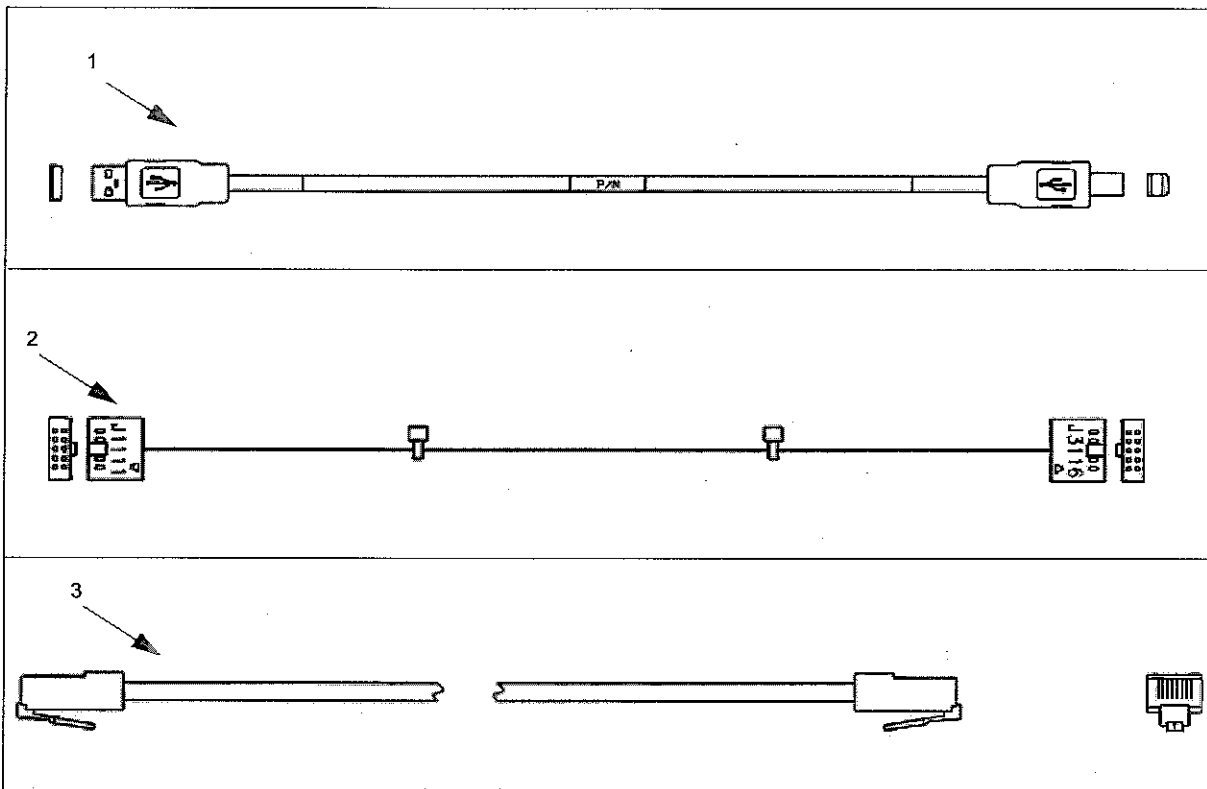
Item #	Description	Part Number	Quantity
	Printed Circuit Board	M06364A	1

## Cable, Power Supply to USB/DSL Board



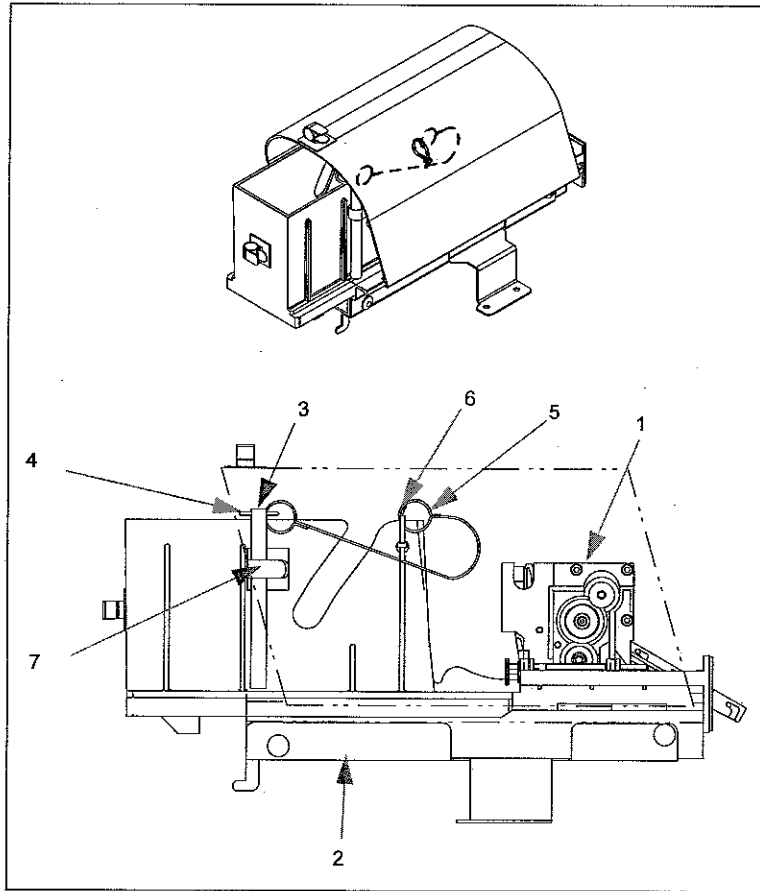
Item #	Description	Current Part	Quantity
1	Connector, Receipt, 0.156 in., CTR, Mta Closed End (5 POS)	Q12465-04	2
2	Cover, Strain Relief 0.156 in., CTR, Mta Closed End (5 POS)	Q13165-04	2
3	Cable Tie	Q10178-01	A/R
4	Wire, 18 AWG White Electrical	R13242-1890	A/R

## SMART Connect Cables



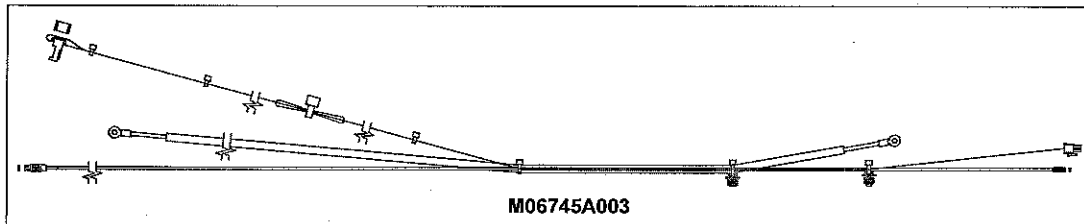
Item #	Description	Current Part	Previous Part	Quantity
1	Cable, USB CRIND Control	-	M03695B005	1
2	Cable, CRIND/Pump Control	-	M04203A001	1
3	Cable, Work Area Six Feet	Q13850-06	-	1

# Printer Assembly Sliding

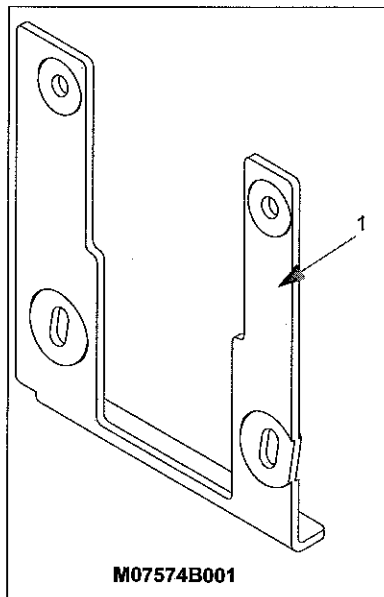


Item #	Description	Current Part	Previous Part	Quantity
1	Kit, Printer Assy Hengstler Parts	M04219A101	-	1
2	Printer Assembly Sliding	M07885A002	-	1
3	Shaft, Printer Spool	M08339B001	-	1
4	Key Ring	M08341B001	-	1
5	Lanyard, Bare Cable	M07532B001	-	1
6	Cable Tie	Q10178-01	-	1
7	Cable Mount Adhesive Releasable	Q13558-04	-	1
8	Screw Sel TP Hex HD 6-20X (Not Shown)	Q11677-24	-	1
9	Screw, Metric M5 X 10 (Not Shown)	M00417B101	-	4
10	Paper, PTR 3" Od Thermal (Not Shown)	M04809B015	-	1
11	Label, Paper Loading (Not Shown)	M06807B004	-	1

## USB/Ground Cable

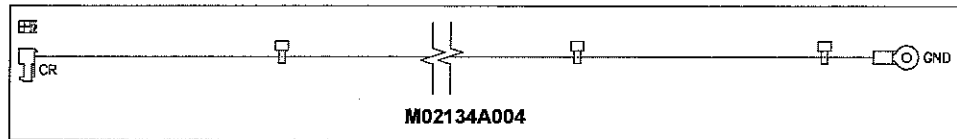


## Card Reader Bracket

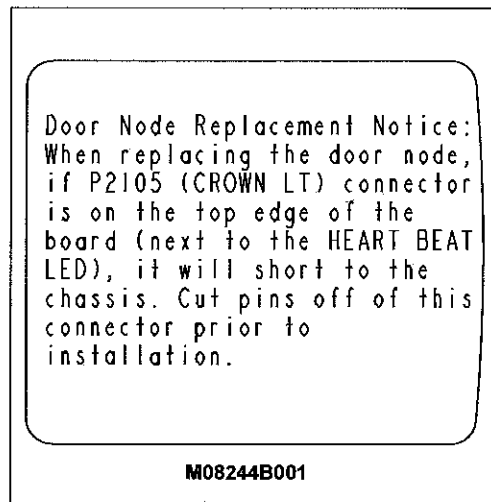


Item #	Description	Current Part	Previous Part	Quantity
1	Card Reader Bracket	M07574B001	M01180B003	1
2	Screw Sel Tp Hex HD 6-20X (Not Shown)	Q11677-24	-	1
3	Installation Instructions (Not Shown)	MDE-4703	-	1
4	ENC/ECL Oct Kit Standard (Not Shown)	EU02005G001	-	1

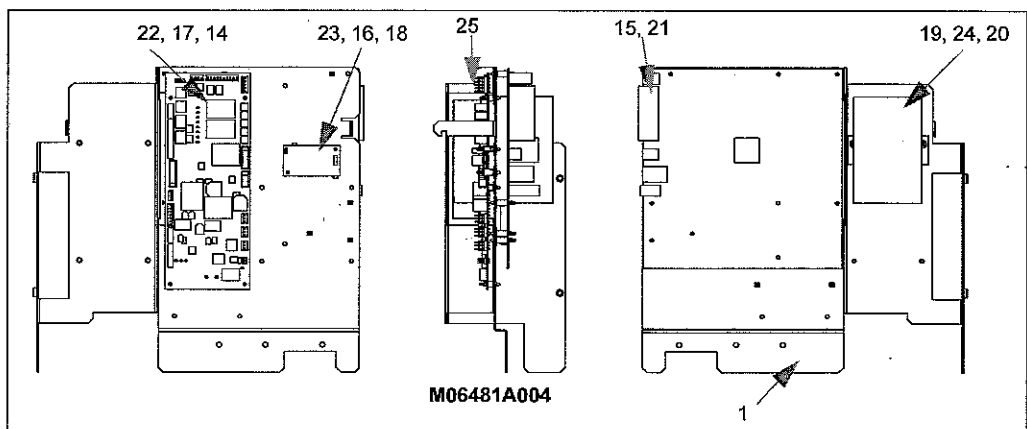
## ESD Ground Card Cable

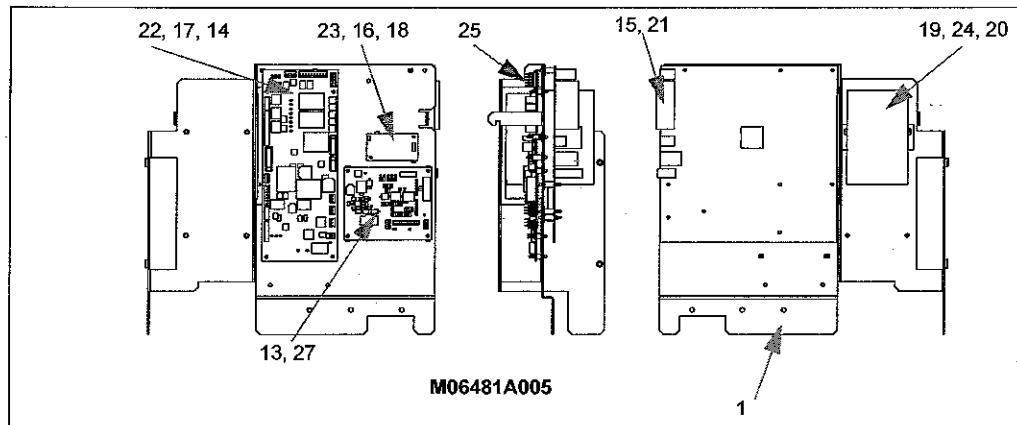


## Decal, Warning Door Node



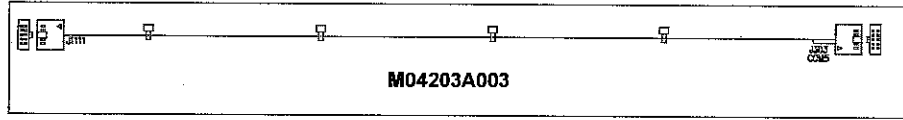
## Base Color CPU Assembly



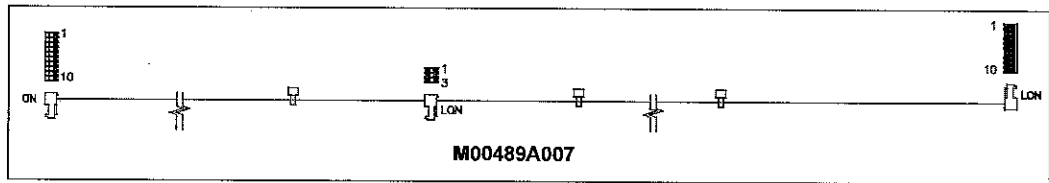


Item #	Description	Current Part	Previous Part	Quantity
1	Assy, Color Electronics Bracket	M06480A003	-	1
2	Cable, 2-wire to Pump/CRIND (Not Shown)	M06308A002	M06308A001	1
3	Cable, COMS (Not Shown)	M06312A001	-	1
4	Cable, CPU to LVDS (Not Shown)	M04737A002	-	2
5	Cable, Interface to PC Power (Not Shown)	M06310A001	-	1
6	Cable, Inverter Power (Not Shown)	M06970A001	-	2
7	Cable, Jumper No-UBS Interface (Not Shown)	M06303A001	-	1
8	Cable, Power AC (Not Shown)	M05549A001	-	1
9	Cable, Pro Series USB 2.0 Device (Not Shown)	M07751A001	-	1
10	Cable, Pump Reset Color Display (Not Shown)	M07141A001	M06305A001	1
11	Cable, SmartCRIND (Not Shown)	M06315A001	-	1
12	Cable, Switcher To Interface Smart CRIND (Not Shown)	M06302A002	-	1
13	Circuit Board Support	Q10651-02	-	4
14	Circuit Board Support	Q10651-04	-	7
15	Circuit Board Support	Q10651-38	-	2
16	Circuit Board Support	Q10651-09	-	2
17	Circuit Board Support	Q10651-12	-	2
18	Mini-PS-100-240AC/24DC/4 Transformer	M04161B002	-	1
19	Nut Hex with ext Lockwasher 10-32 Thd	Q12068-04	-	2
20	PCA, CPU (for Smart CRIND)	M03377A001	-	1
	PCA, CPU (Generic Color)	M03377A101	-	1
21	PCA, CRIND Interface	M06187A002	-	1
22	PCA, USB to LON	M07713A001	-	1
23	Rail, Power Supply Mounting	M05668B001	-	1
24	Tape	M02677B001	-	A/R
25	Memory Flash IC	M06232B023	-	1
26	Kit, Flash Card and Software for Color Screen CPU (Not Shown)	M07743K001	-	Ref
27	PCA, RS-232 to TTL	M07592A001	-	1
28	PCA, Fuse Block	M06351A001	-	-

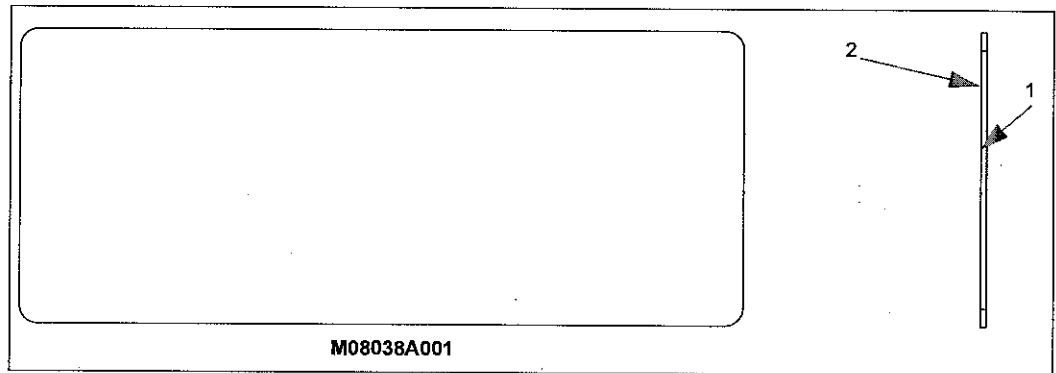
## Cable, Pump to COM5



## Cable, LON Bus



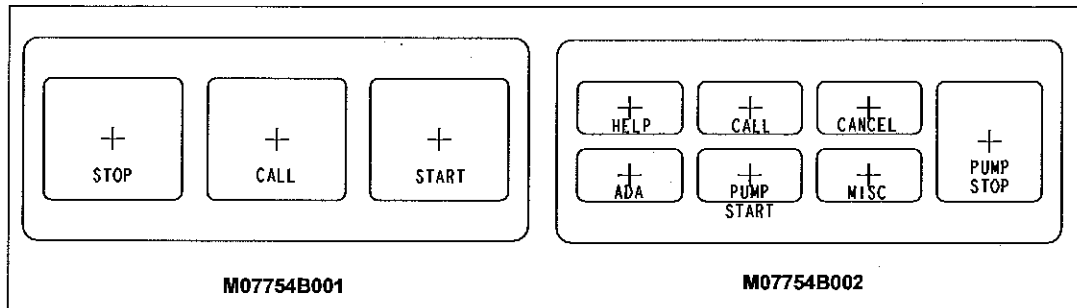
## Plate, Blanking Softkey



Item #	Description	Current Part	Previous Part	Quantity
1	3M 468MP Adhesive Strip	M08038B002	-	1
2	Plate Blanking	M08038B001	-	1

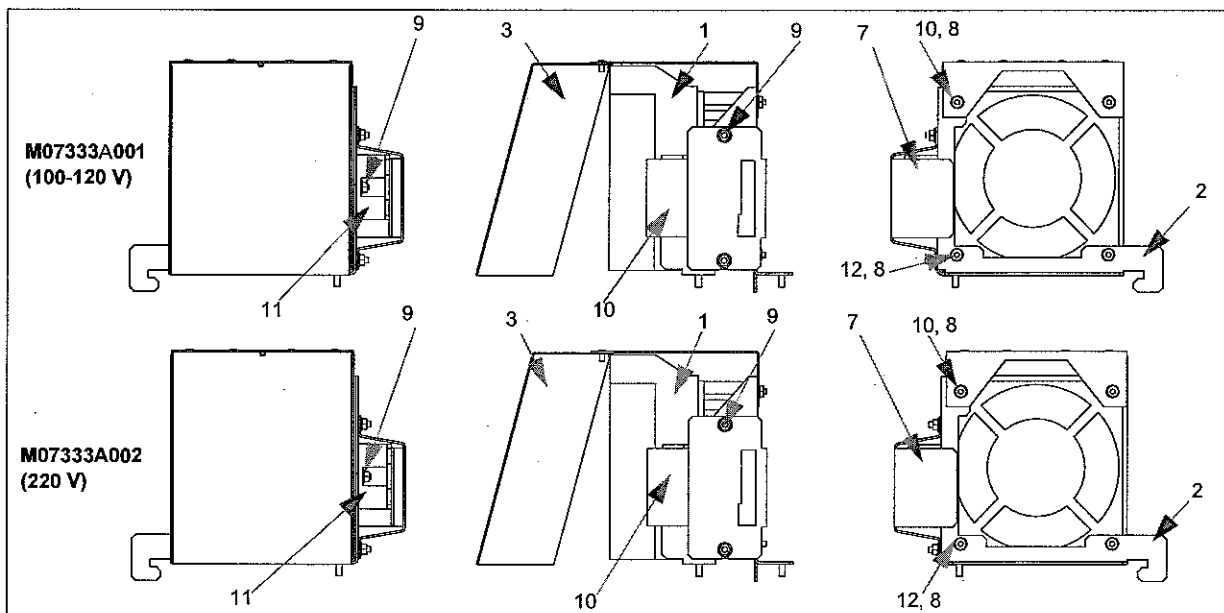
## 3-key and 7-key Option Keypad (Encore S Enhanced)

*Note: For pumping units only.*



Item #	Description	Current Part	Previous Part	Quantity
1	Keypad, 3-key Option	M07754B001	-	1
2	Keypad, 7-key Option	M07754B002	-	1
3	Cable, 3-button Keypad	M07957A002	-	1
4	Cable, 7-button Keypad	M06683A001	-	1

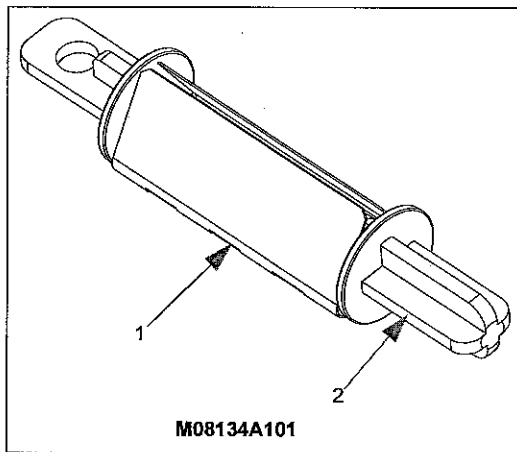
## Heater/Fan 100-120 V and 220 V Assembly



Item #	Description	Current Part	Previous Part	Quantity
1	Assy Heater/Fan	Q13254-03	-	1
2	Bracket Heater Mount	M07355A002	-	1
3	Bracket, Heater Air Diffuser	M07353A001	-	1
4	Cable Heater AC Power (Not Shown)	M06969A001	-	1
5	Cable STP Extender (Not Shown)	M06968A001	-	1
6	Cable, Heater Adapter (Not Shown)	M07233A001	-	1
7	Cover Heater Electronics	M06884B001	-	1
8	Nut Hex with EXT Lockwasher 6-32 Thd	Q12068-02	-	4
9	Nut, Metric, Hex Serrd Flg (M4)	M00414B005	-	4
10	PCA E2 Heater	M06783A001	-	1
11	Relay Solid State	Q11008-02	-	1
12	Screw Sems PPHD Extlw 6-32 X 0.50	Q12083-15	-	4
13	Nut, Metric, Flange (Not Shown)	M00414B005	-	1

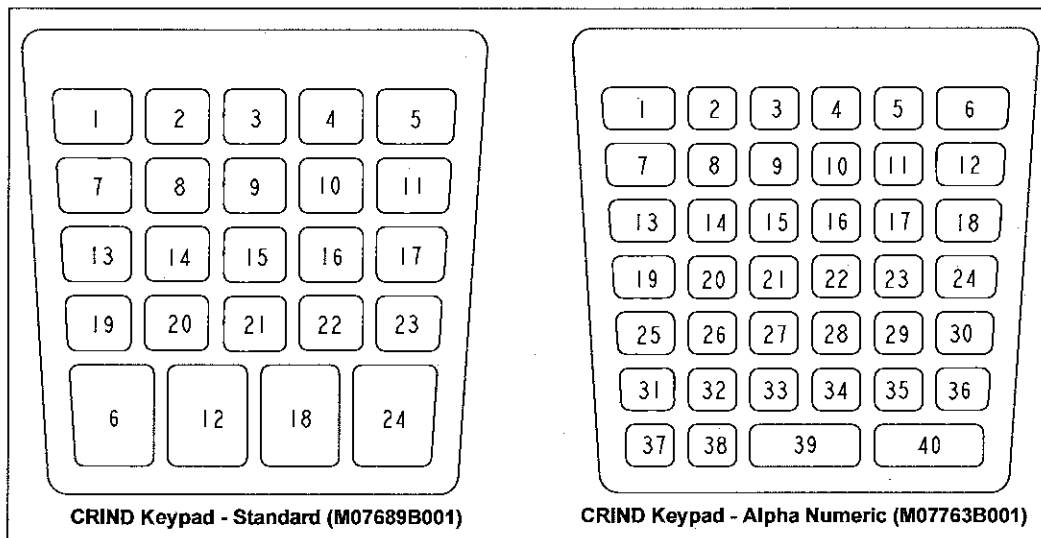
## Cam and Spool (Set of 3)

*Note: For pumping units only.*

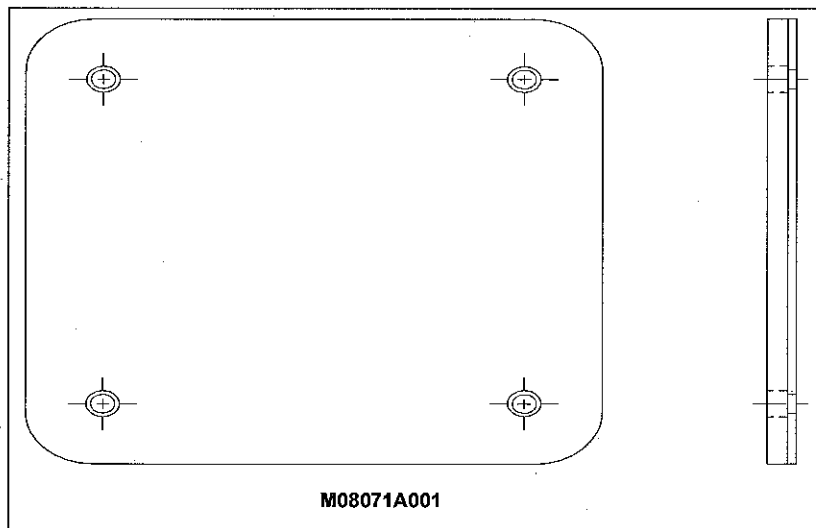


Item #	Description	Current Part	Previous Part	Quantity
1	Cam, Triangular	M07524B001	-	1
2	Spool, Paper Roll 6" Printer	M07884B001	-	1

# Customer Input Keypad (Encore S Enhanced)

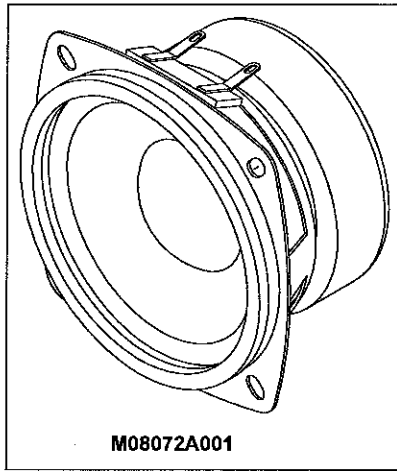


# Speaker Blanking Assembly



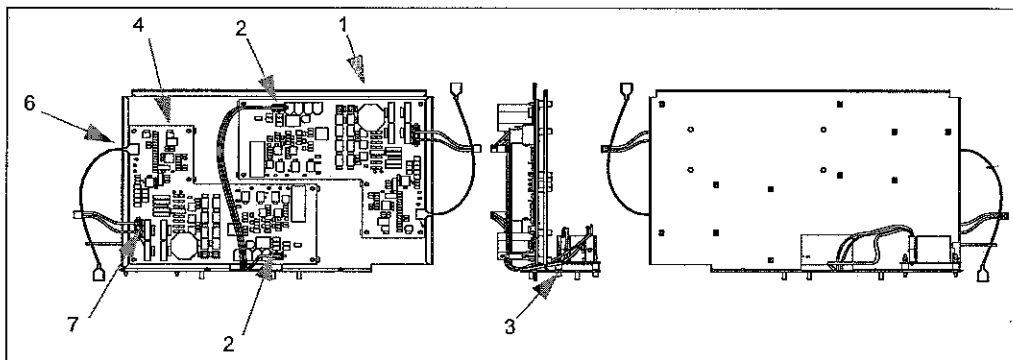
Item #	Description	Current Part	Previous Part	Quantity
1	Assembly, Speaker Blanking	M08071A001	-	1

# Speaker Assembly



Item #	Description	Current Part	Previous Part	Quantity
1	Speaker Assembly, Encore S Enhanced	M08072A001	-	1

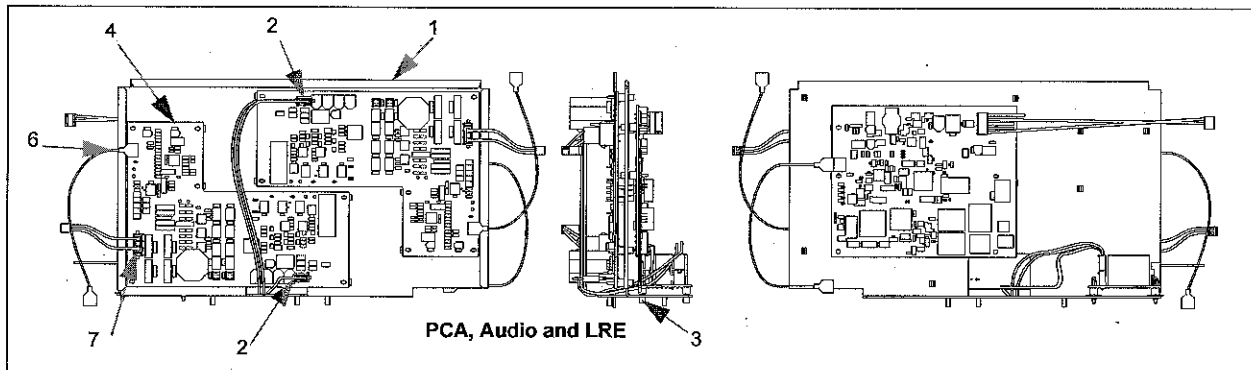
# Audio PCA Assembly for 120 V and 220 V



Item #	Description	Current Part	Previous Part	Quantity
1	Bracket, Audio PCA Mounting	M07572A001	-	1
2	Cable, 8 VAC	M07748A001	-	1
3	Circuit Board Support	Q10651-02	-	20
4	PCA, Audio	M03565A001	-	2
5	PCA, 8 VAC Transformer (Not Shown)	M07543A001	-	1
6	Cable, Pro Series USB 2.0 Device	M03695B001	-	2
7	Cable, 24 V Audio to Interface Board	M07747A001	-	2

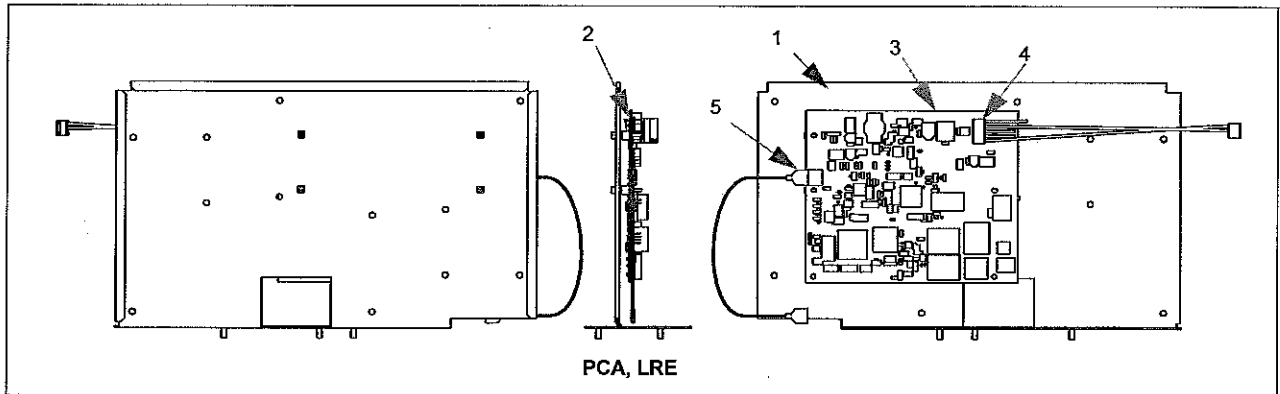
Item #	Description	Current Part	Previous Part	Quantity
8	Cable, Transformer Board, AC Power (Not Shown)	M07750A001	-	1
9	PCA, SMART Connect DSL Hub with ISD (Not Shown)	M06365A002	-	1
10	Cable, Power Supply To USB/DSL Board (Not Shown)	M05859A001	-	1
11	Cable, Pro Series USB 2.0 Device (Not Shown)	M03695B004	-	1

## Audio Board Assembly (Audio and LRE)



Item #	Description	Current Part	Previous Part	Quantity
1	Bracket, Audio PCA Mounting	M07572A001	-	1
2	Cable, 8 VAC	M07748A001	-	1
3	Circuit Board Support	Q10651-02	-	20
4	PCA, Audio	M03565A001	-	2
5	PCA, 8 VAC Transformer (Not Shown)	M07543A001	-	1
6	Cable, Pro Series USB 2.0 Device	M03695B001	-	2
7	Cable, 24 V Audio to Interface Board	M07747A001	-	2
8	Cable, Transformer Board, AC Power (Not Shown)	M07750A001	-	1
9	PCA, SMART Connect DSL Hub with ISD (Not Shown)	M06365A002	-	1
10	Cable, Power Supply to USB/DSL Board (Not Shown)	M05859A001	-	1
11	Cable, Pro Series USB 2.0 Device (Not Shown)	M03695B004	-	1

## Audio Board Assembly (LRE)

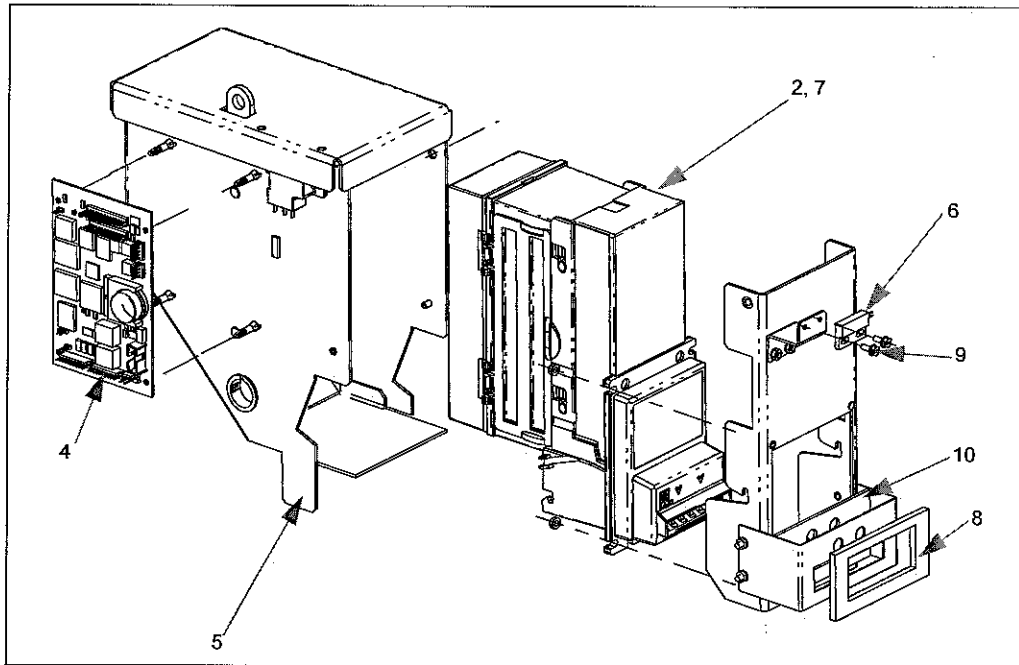


Item #	Description	Current Part	Previous Part	Quantity
1	Bracket, Audio PCA Mounting	M07572A001	-	1
2	Circuit Board Support	Q10651-02	-	4
3	PCA, SMART Connect DSL Hub with ISD	M06365A002	-	1
4	Cable, Power Supply to USB/DSL Board	M05859A001	-	1
5	Cable, Pro Series USB 2.0 Device	M03695B004	-	1

## Cash Acceptor, Cable Group

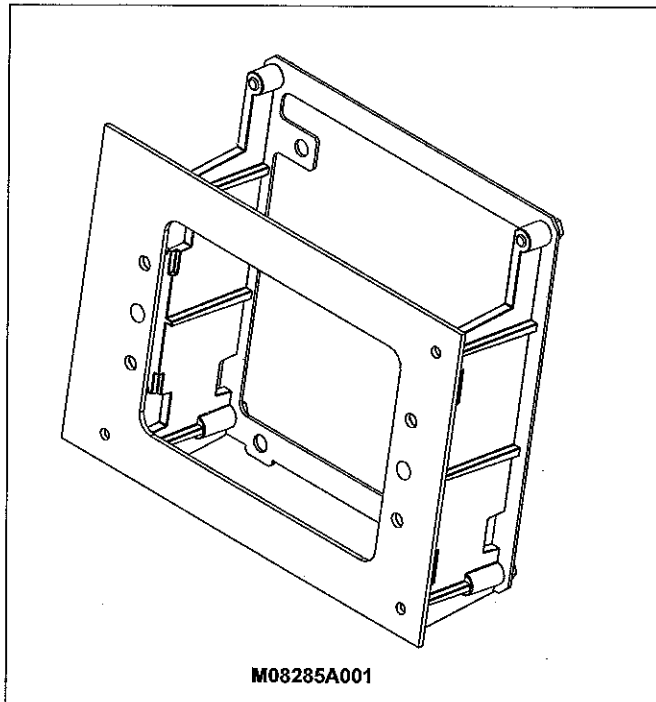
Item #	Description	Current Part	Previous Part	Quantity
1	Cable Group, Encore S Series	M02609B005	-	N/A
2	Plastic Bag	-	-	1
3	Label	-	-	1
4	Cable, LON Bus	M00489A002	-	1
5	Cable, Security Switch Interface	M02152A001	-	1
6	Cable, Cash Acceptor to LON Serial Interface	M02153A001	-	1
7	Cable, Security Switch Interface	M02160A002	-	1

## Cash Acceptor Assembly



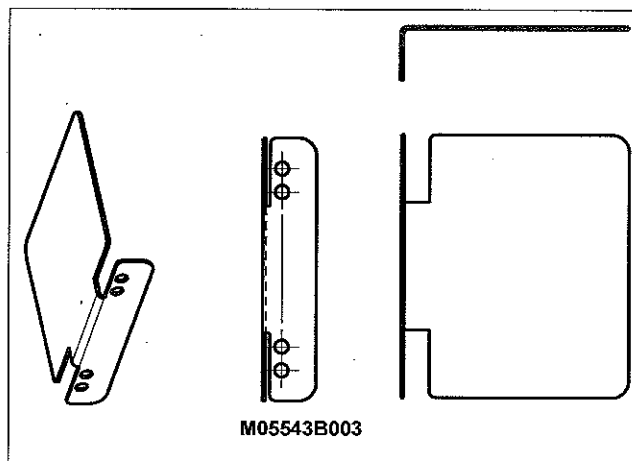
Item #	Description	Current Part	Previous Part	Quantity
1	Cable Group Encore S Enhanced	M02609B006	-	1
2	Note Acceptor AE2811 U5E	M01251A202	-	1
3	Nut, Metric, Hex with Ext	Q12885-05	-	4
4	PCA LON - Serial Node	M00122A002	-	1
5	Cash Acceptor Assembly	M07924A001	-	1
6	Switch Magnetic Reed	Q12514-06	-	1
7	Gasket Cash Acceptor Bezel	M08211B001	-	1
8	Gasket Cash Acceptor Bracket Face	M08202B001	-	1
9	Screw, Slot with LW, 6 - 20 X 3/8	Q11677-24	-	2
10	Gasket Note Acceptor Inner Bezel Face	M08201B001	-	1

# Contactless Antenna Assembly



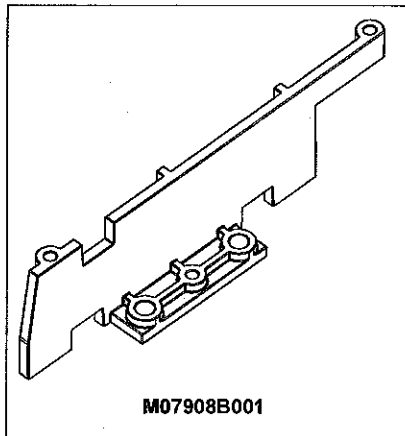
Item #	Description	Current Part	Previous Part	Quantity
1	Assembly, Contactless Antenna	M08285A001	-	1

# Shield, Card Reader

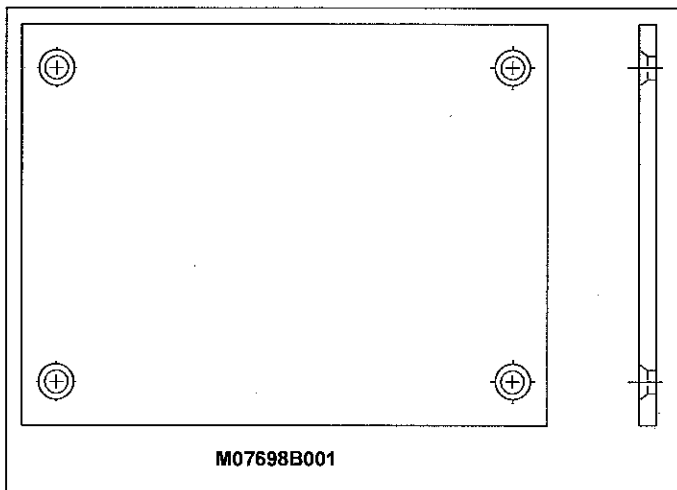


# TRIND Electronics with Red LEDs

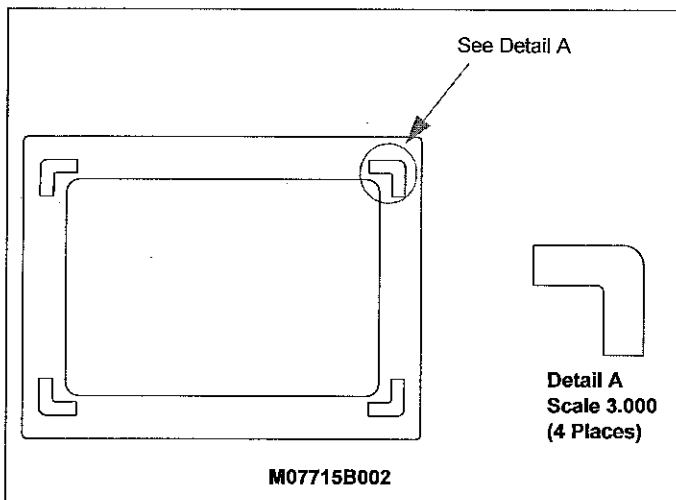
## TRIND Mount (Encore S Enhanced)



## Lens, TRIND



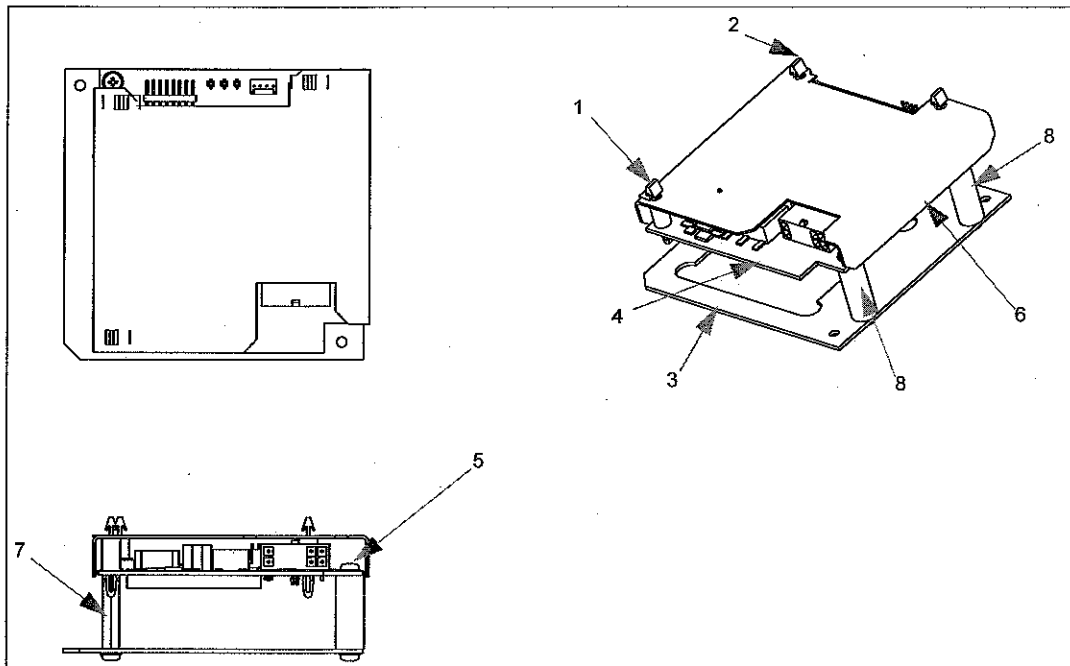
### Gasket, TRIND Lens



Item #	Description	Current Part	Previous Part	Quantity
1	Lens, TRIND	M07698B001	-	2
2	Screw Sel TP Hex HD 6-20X	Q11677-24	-	8
3	Cable, TRIND Door	M00507A001	-	2
4	Screw Sel TP Hex HD 6-20X	Q11677-26	-	8
5	Screw Metric TP 3 X 8 FL HD	M00419B311	-	4

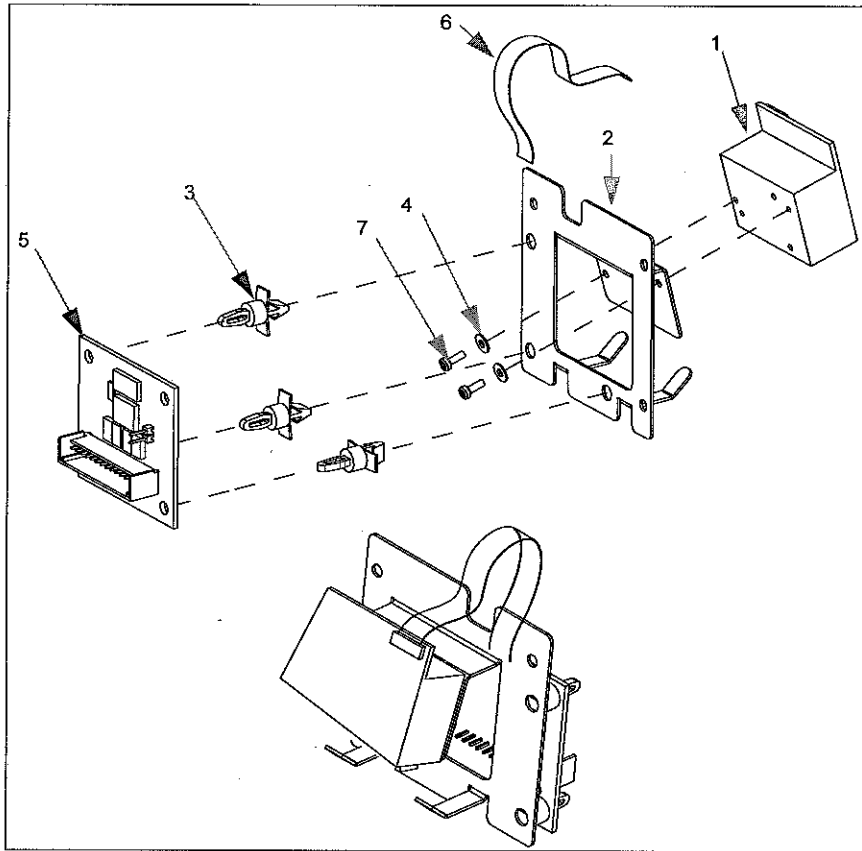
# TRIND Electronics with Orange LEDs

## Assembly, Light and Inductor



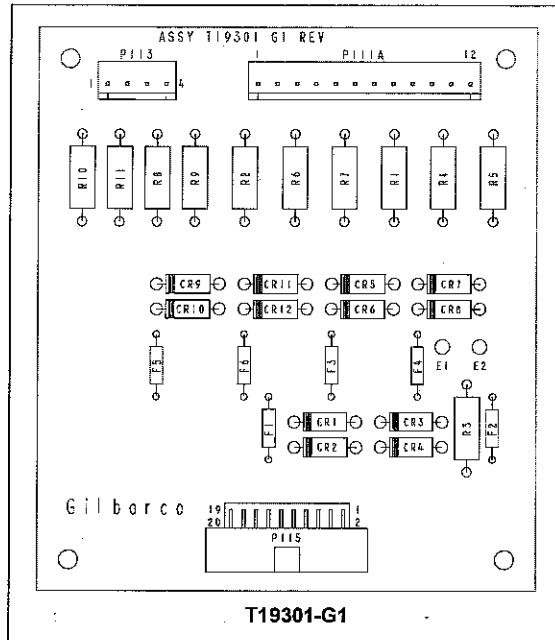
Item #	Description	Current Part	Previous Part	Quantity
1	Circuit Board Support	Q10651-04	-	2
2	Circuit Board Support	Q10651-12	-	1
3	PCA, RFID Antenna	M06074A001	-	1
4	PCA, RFID Micro Reader	M06100A002	-	1
5	Screw Sems Pphd EXTLW 6-32 X 0.38	Q12083-13	-	6
6	Shield, E2 TRIND PCB	M06567B001	-	1
7	Spacer Hex (6-32 X 1.125)	Q10340-34	-	3
8	Tubing, Heat Shrink	Q10141-07	-	2

# Scanner Assembly



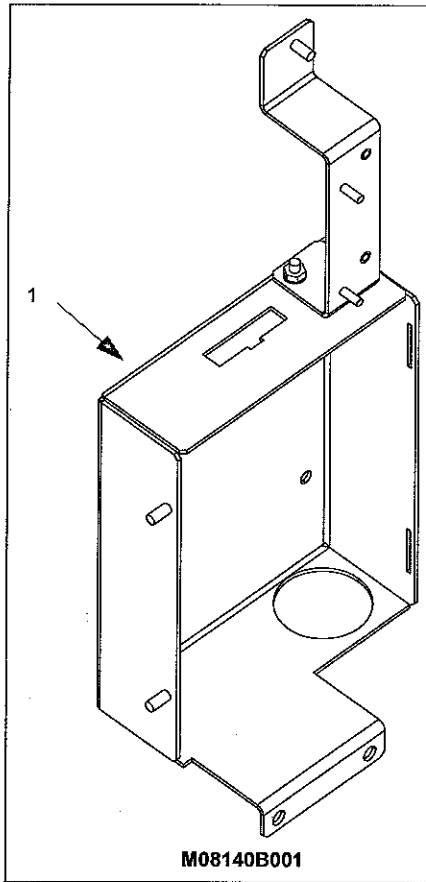
Item #	Description	Current Part	Previous Part	Quantity
1	Barcode Scanner Engine	M01304A001	-	1
2	Bracket Scanner Mount	M07664B001	-	1
3	Circuit Board Support	Q10651-01	-	3
4	Flat Washer Metric	M00959B002	-	2
5	PCA Bar Code Scanner Interface	M01323A001	-	1
6	Ribbon Cable	M01304B001	-	1
7	Screw Metric Pan Head Sems M2 X 6	Q12845-05	-	2
8	Screw Sel Tp Hex Hd 6-20 X (Not Shown)	Q11677-24	-	7

# I.S. Barrier Assembly



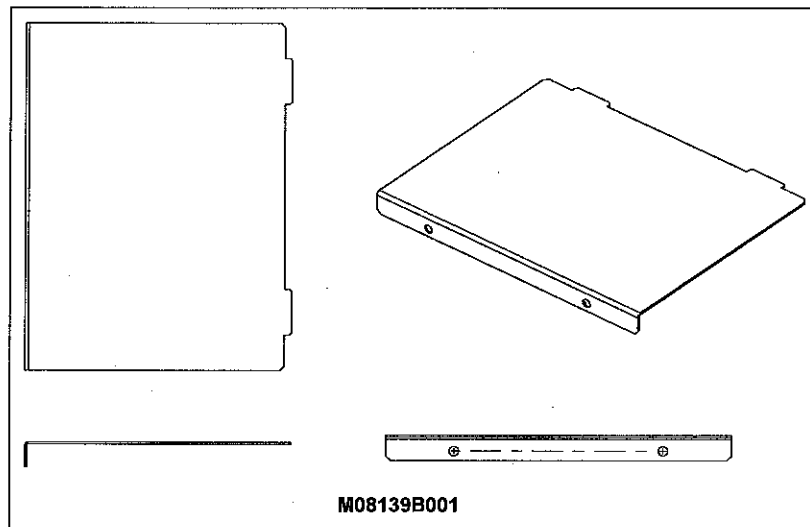
Item #	Description	Current Part	Previous Part	Quantity
1	Solder 63/37 Vacculoy	470202000	-	A/R
2	Diode, IN5378, 100 V, 5 W	Q10125-38	-	12
3	Conn, 4 Pin, MTA, 156CTRS.	Q11071-03	-	1
4	Conn, 12 Pin, MTA, 156CTRS.	Q11071-11	-	1
5	Conn, 20 Pin, RT Angle Header	Q12096-05	-	1
6	Fuse, 0.062 Amp	Q13070-01	-	6
7	Res, 10 K, 3 W, 5%, WW	R10501-135	-	6
8	Res, 6 K, 3 W, 5%, WW	R10501-355	-	1
9	Res, 68.1 K, 1 W, 1%, MF	R10501-533	-	4
10	Electrical Schematic	T19299	-	REF
11	Printed Circuit Board	T19300A	-	1
12	Test Criteria	TST19301	-	REF
13	Suprt Ckt BD	Q10651-29	-	4
14	Label Part NO T19301-G1	N23897-22	-	1

# I.S. Barrier House Assembly

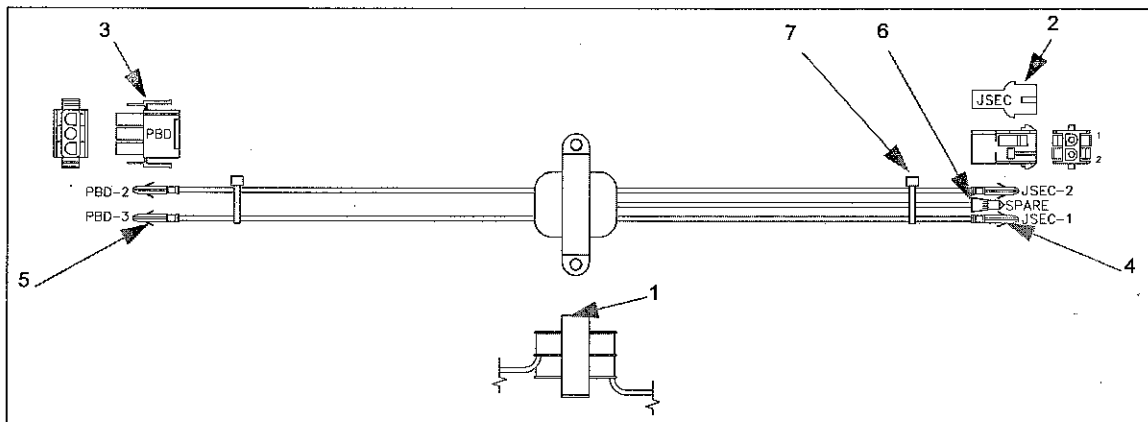


Item #	Description	Current Part	Previous Part	Quantity
1	Assembly, Base Ultra-Hi I.S.	M08140B001	-	1

## I.S. Barrier Cover

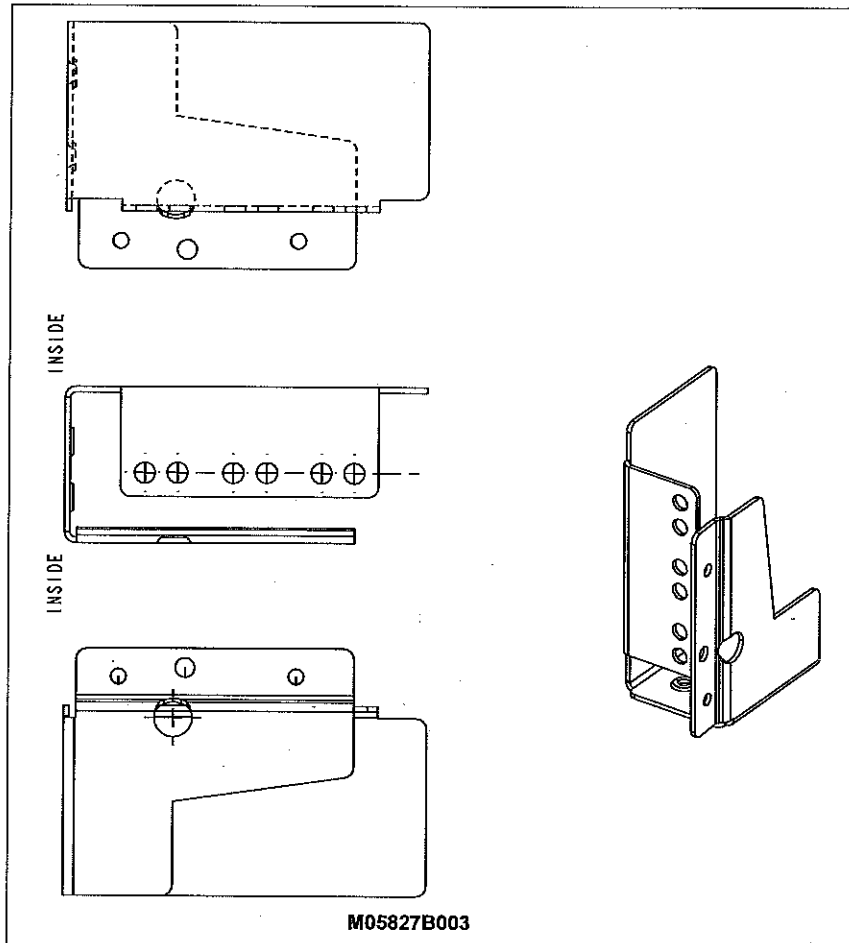


## Sub-assembly, Transformer



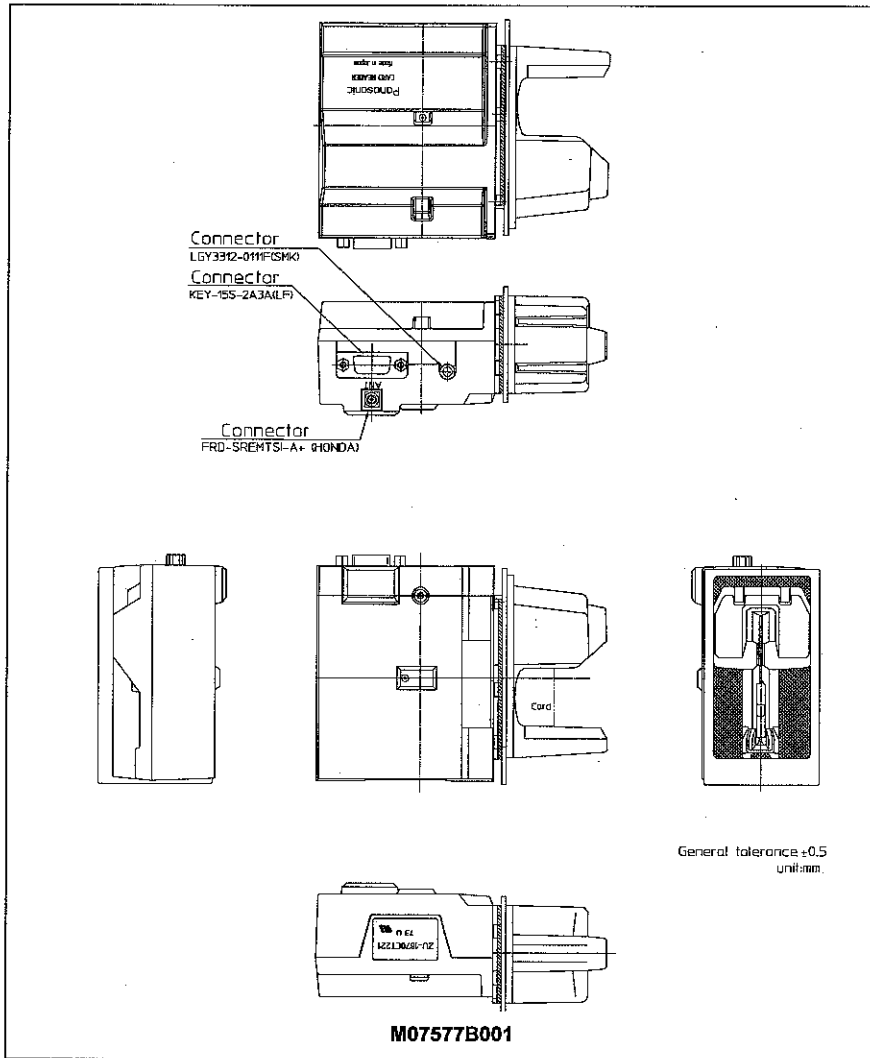
Item #	Description	Current Part	Previous Part	Quantity
1	Transformer Power, 115 VAC - 50/60 Hz	M02649B001	-	1
2	Connector Housing, CAP (2 POS)	Q11565-02	-	1
3	Connector Housing, Plug (3 POS)	Q11565-03	-	1
4	Split Pin, Contact 24-18 AWG	Q10673-04	-	2
5	Split Pin, Contact 24-18 AWG, Tin	Q10673-11	-	2
6	Wire Joint, Crimp Type	Q10158-04	-	1
7	Cable Tie	Q10178-01	-	A/R

# Totalizers Bracket



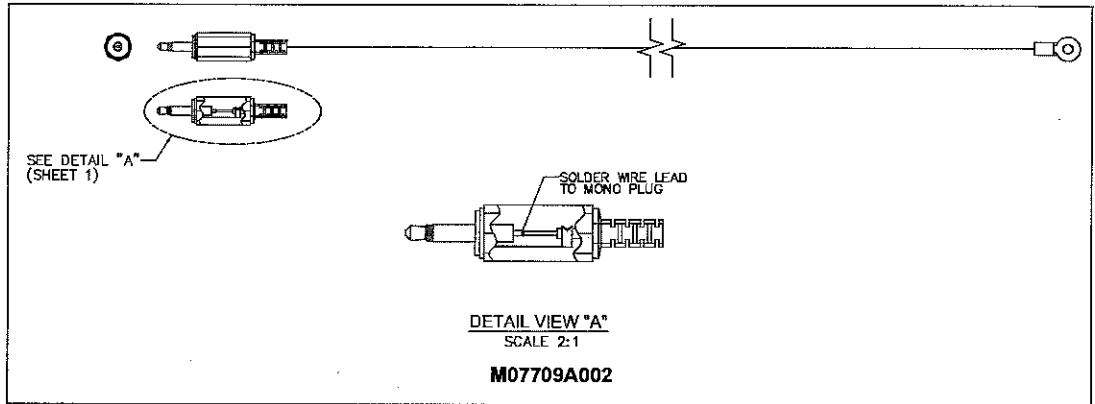
Description	Current Part	Previous Part	Quantity
Totalizers Bracket	M05827B003	-	1

# Encrypted Card Reader



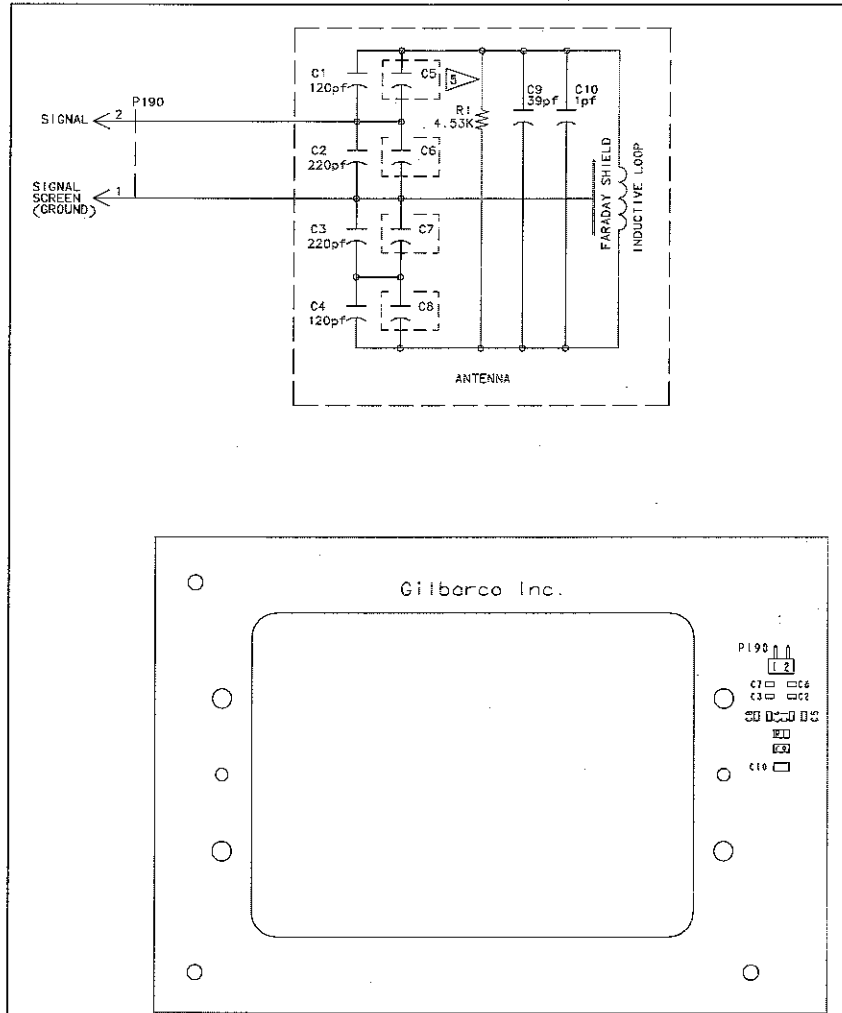
Description	Current Part	Previous Part	Quantity
Encrypted Card Reader	M07577B001	-	1

# Encrypted Card Reader Cable



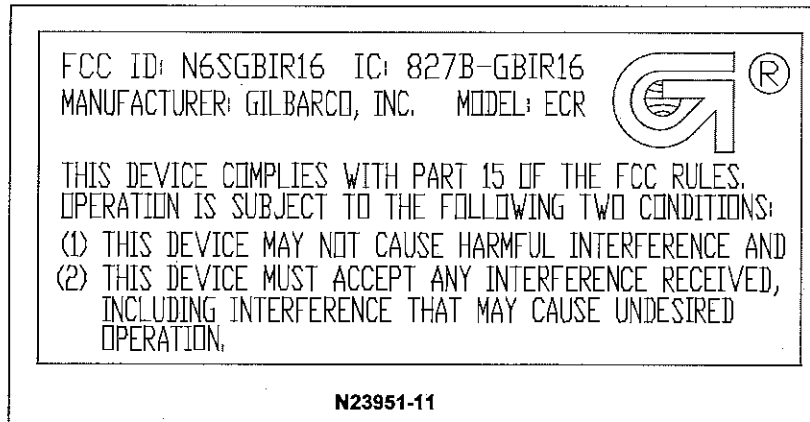
Item #	Description	Current Part	Previous Part	Quantity
1	Ring Terminal, #10, 22-18 AWG	K67087-61	-	1
2	Wire, 18 AWG Green/Yellow Electrical	R13242-1854	-	A/R
3	Mono Plug	M07768B001	-	1
4	Faston, Non-insulated 0.187 X 0.020 20-16 AWG	K67087-43	-	-
5	Clip, Grounding Blade	Q12576-01	-	-

## PCA, 13.56 MHz Antenna

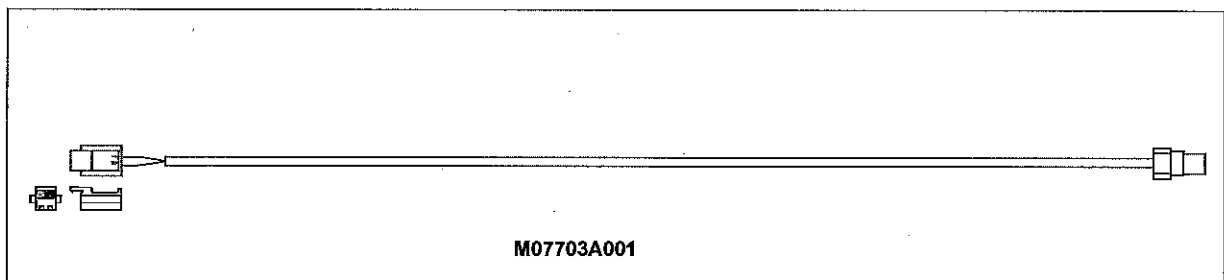


Item #	Description	Current Part	Previous Part	Quantity
1	Solder 63/37 Vacculoy	470202000	-	A/R
2	Printed Circuit Board	M07755A	-	1
3	Test Criteria	TSM07756	-	REF
4	Res, 4.53 K, 0.125 W, 1%	Q13069-264	-	1
5	Cap, 39 PF, 1%, 50 V	Q12442-94	-	1
6	Cap, 1PF, +/- .25PF, 50 V	Q12442-93	-	1
7	Cap, 120 PF, 1%, 50 V	Q12442-95	-	2
8	Cap, 220 PF, 1%, 50 V	Q12442-96	-	2
9	Connector, 2-pin Rt Angle	Q12320-07	-	1

## Decal, UL/CA Recognition

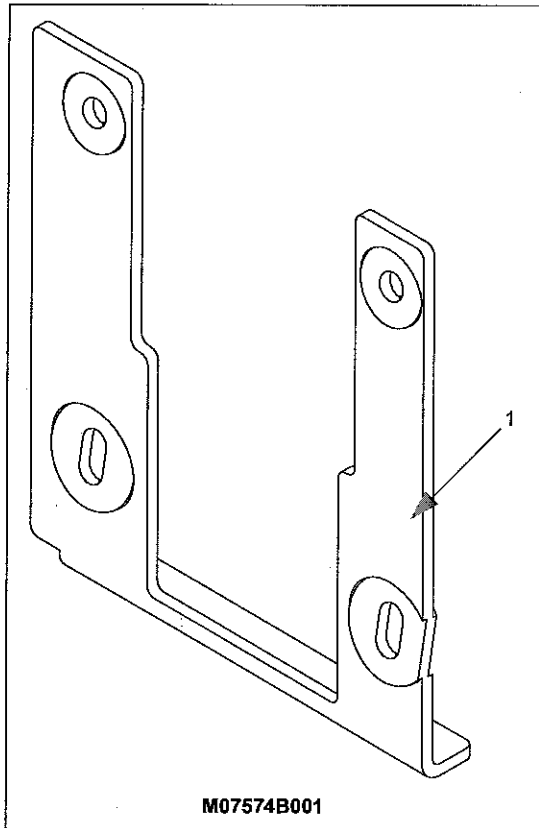


## Cable, Antenna Encrypted



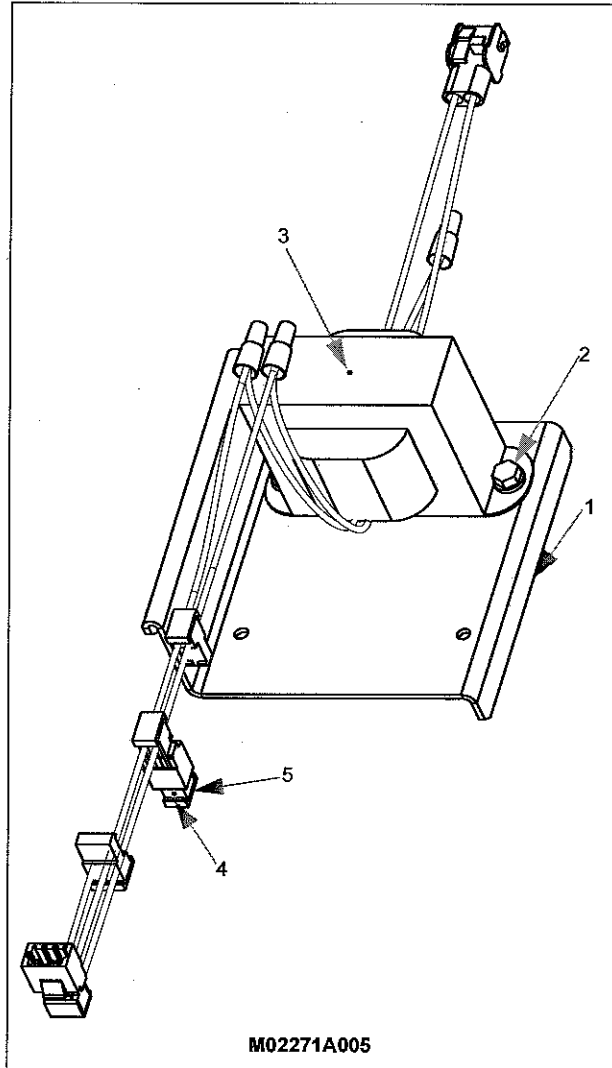
Item #	Description	Current Part	Previous Part	Quantity
1	Connector Housing 0.98 in. CTR (2 POS)	M04054B001	-	1
2	Socket Contact, 28-22 AWG	Q12320-03	-	2
3	Cable, Coaxial Lead Free LVCX High Frequency	M07723B001	-	A/R
4	Connector, FRD Series Coaxial (PLUG)	M07722B001	-	1

# Bracket, Card Reader



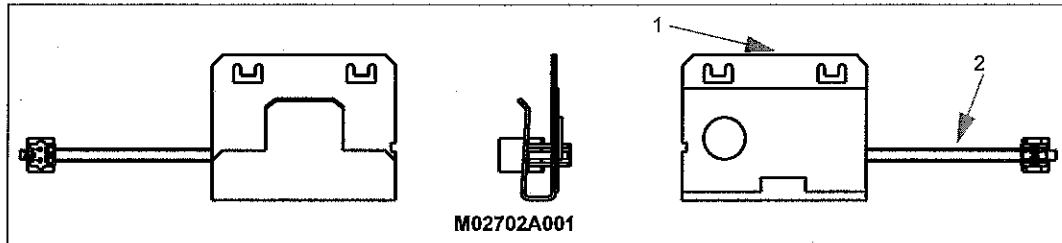
Item #	Description	Current Part	Previous Part	Quantity
1	Bracket, Card Reader	M07574B001	-	1
2	Screw Sel Tp Hex Hd 6-20 X (Not Shown)	Q11677-24	-	4
3	Tape Adhesive Press Sen (Not Shown)	K85492-56	-	2
4	Lens, TRIND CSC Reader (Not Shown)	M05987B002	-	1
5	Screw Metric M4 X 8 (Not Shown)	M00419B117	-	1
6	Cable, ECR/SP Interface (Not Shown)	M07702A001	-	1
7	Decal, Patent and FCC (Not Shown)	M02962B009	-	1

# Assembly, Transformer 115 V



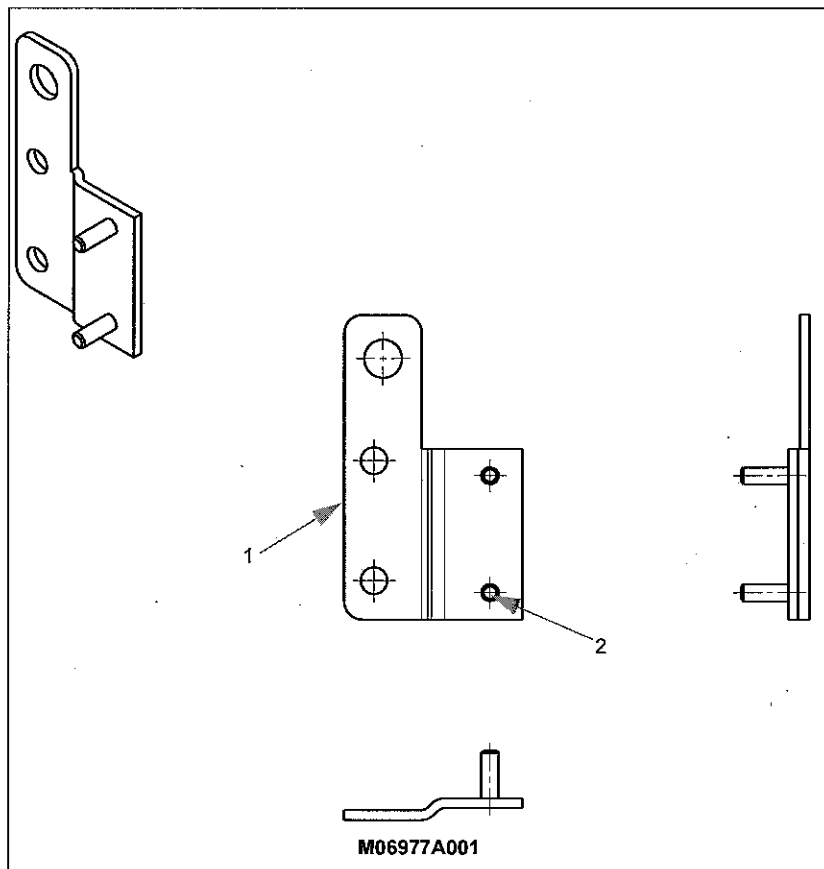
Item #	Description	Current Part	Previous Part	Quantity
1	Bracket, Transformer Heater	M02270B001	-	1
2	Screw, TF, Hex Washer Hd M5 X 10	M00417B101	-	2
3	Assembly, Transformer Card Reader Heater	M02605A002	-	1
4	Connector, Receptacle	Q12202-201	-	1
5	Cover Strain Relief Feed-Through 0.156 Mta	Q12458-01	-	1

## Assembly, Card Reader Heater



Item #	Description	Current Part	Previous Part	Quantity
1	Bracket, Card Reader Heater	M02701B001	-	1
2	Card Reader Heater	M01359A001	-	1

## Bezel Bracket, Door Open Sensor



Item #	Description	Current Part	Previous Part	Quantity
1	Bracket, Door Open Sensor	M06977B001	-	1
2	Stud, SLF Clinch (4-40 X 3/8)	K83677-31	-	2
3	Screw Mh Pnh Phi 4-40 X (Not Shown)	Q11270-21	-	2
4	Nut Hex Keps with Ext Lw 4 (Not Shown)	Q12068-01	-	2
5	Screw Sel Tp Hex Hd 6-20 X (Not Shown)	Q11677-24	-	2

