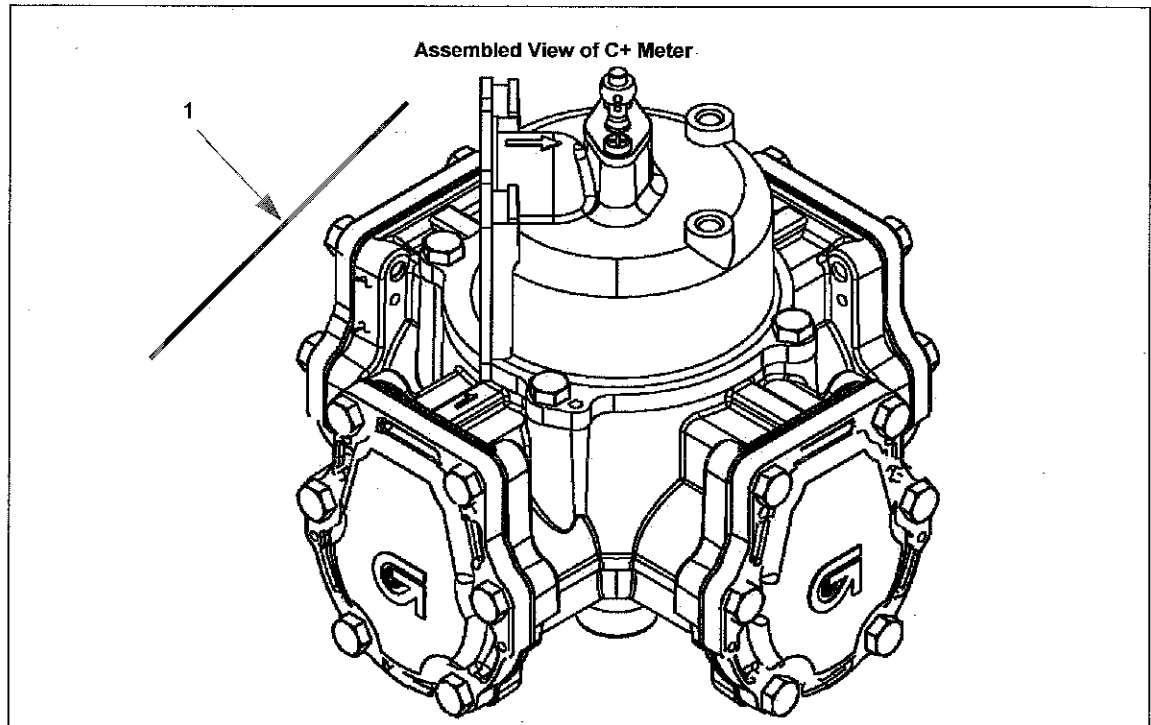


9 – Meter Section

C+ Meter Assembly

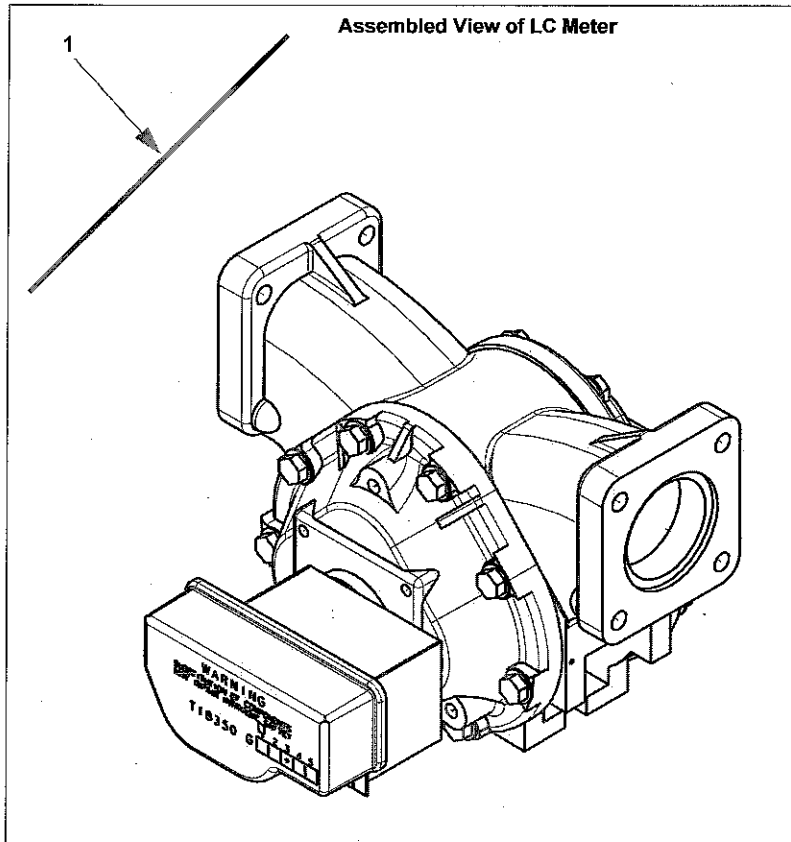


Item #	Description	Current Part	Previous Part	Quantity
1	C+ Meter Assembly (Spare Parts Item)	T19976-G3S	-	(See Note 1)
	• C+ Meter Master Seal Service Kit Installation (Reference Only)	K96618	-	(See Note 2)
	• Meter Quad Ring Top Seal Replacement Kit (Reference Only)	K35222	-	(See Note 3)
	• C+ Plated Meter Assembly (Flexible Fuels) (Spare Parts Item)	T19976-G5S	-	(See Note 1)
	• C+ Auto Seal Kit (Flexible Fuels)	M08182K001	-	(See Note 2)

Notes:

1. C+ Meter is ordered only as an assembly.
2. MDE-3892 provides information on how to install K96618 C+ Meter Master Seal Service Kit.
Kit provides materials and instructions for complete change-out of all seals as a major rebuild.
3. MDE-2188 provides information on how to install K35222 Kit. Kit contains enough top seals to service (10) meters.

LC Meter Assembly

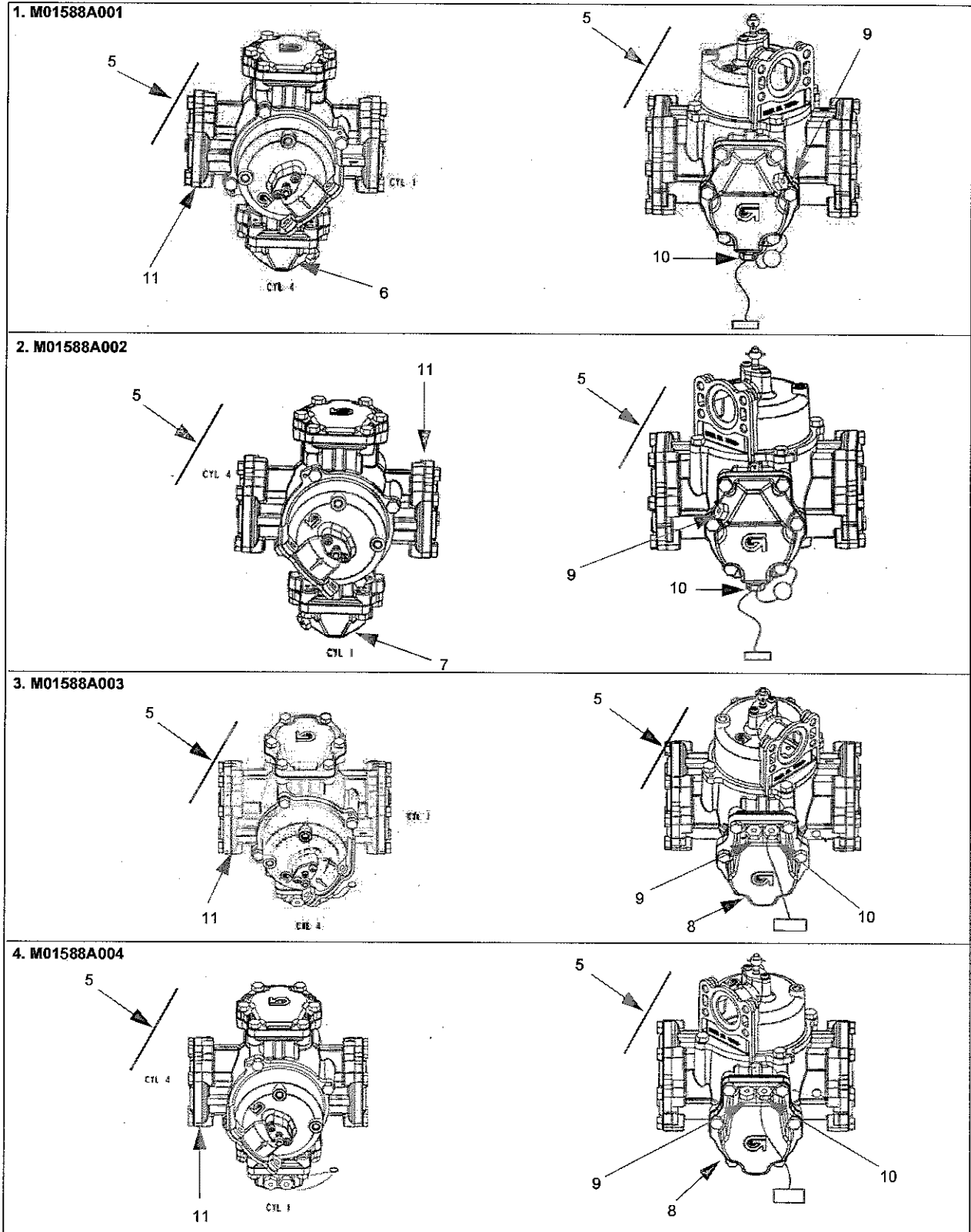


Item #	Description	Current Part	Previous Part	Quantity
1	LC Meter Assembly (Less Pulser) "Replacement Part"	M03171A001	T18621-31	(See Notes 1 And 3)
2	LC Meter and Pulser Assembly	M03171A002	T18621-01	(See Notes 2 And 3)

Notes:

1. LC Meter is ordered only as an assembly.
2. LC Meter and Pulser assembly is ordered only as an assembly.
3. Ultra-Hi Single-side Master and Combo has quantity of one per unit. Ultra-Hi Dual side Master has quantity two per unit.

C+ Meter Assembly with ATC

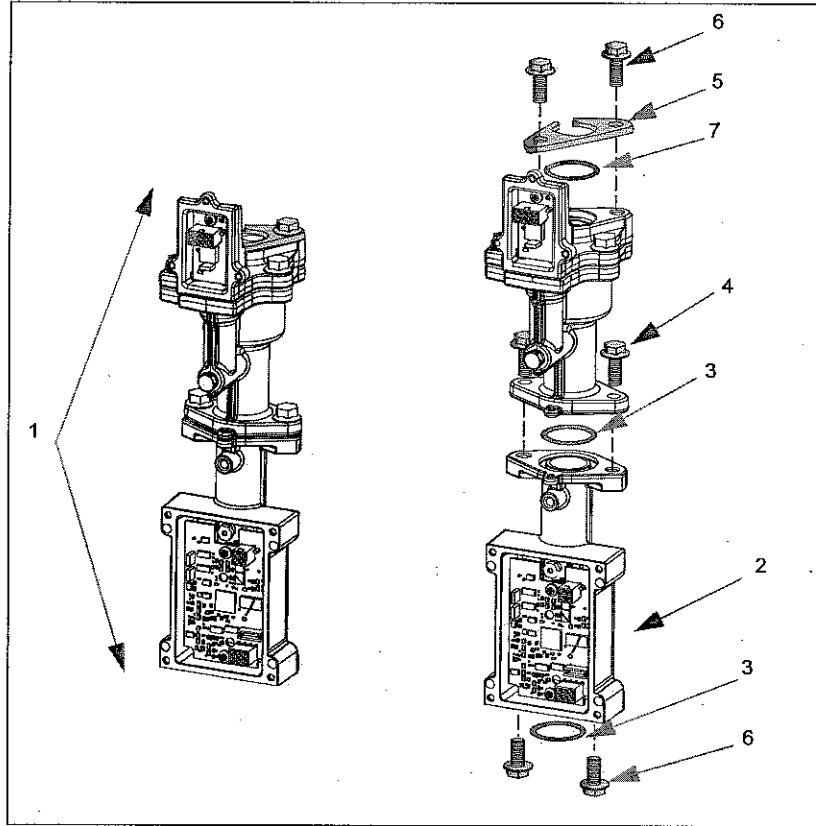


Item #	Description	Current Part	Previous Part	Quantity
1	C+ Meter Assembly with ATC (Right Hand)	M01588A001	-	(See Note)
2	C+ Meter Assembly with ATC (Left Hand)	M01588A002	-	(See Note)
3	C+ Meter Assembly with ATC (Right Hand)	M01588A003	-	(See Note)
4	C+ Meter Assembly with ATC (Left Hand)	M01588A004	-	(See Note)
5	• C+ Meter Assembly	T19976-G3S	-	1
6	• ATC Cylinder Cover, Left Hand (Used on Item 1 Meter M01588A002)	T20696-21	-	1
7	• ATC Cylinder Cover, Right Hand (Used on Item 2 Meter M01588A001)	T20696-20	-	1
8	• ATC Cylinder Cover (Used on Item 3 Meter M01588A003 and Item 4 Meter M01588A004)	T19287-11	-	1
9	• Thermal Test Well	Q13130-01		1
10	• RTD Probe Assembly	Q13131-02	-	1
11	• Cylinder Cover Gasket	K93418	-	1

Note: C+ Meter is ordered only as an assembly.

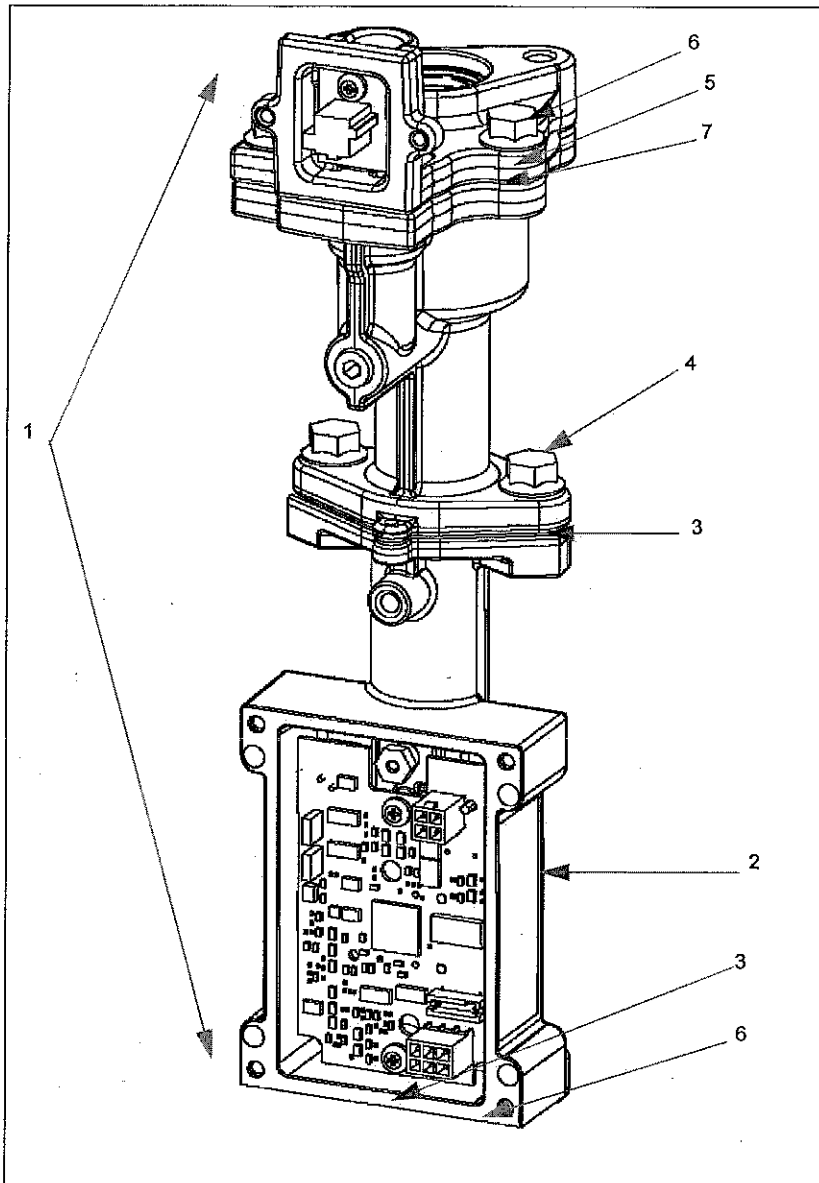
SMART Meter

Gasoline SMART Meter with Flow Switch



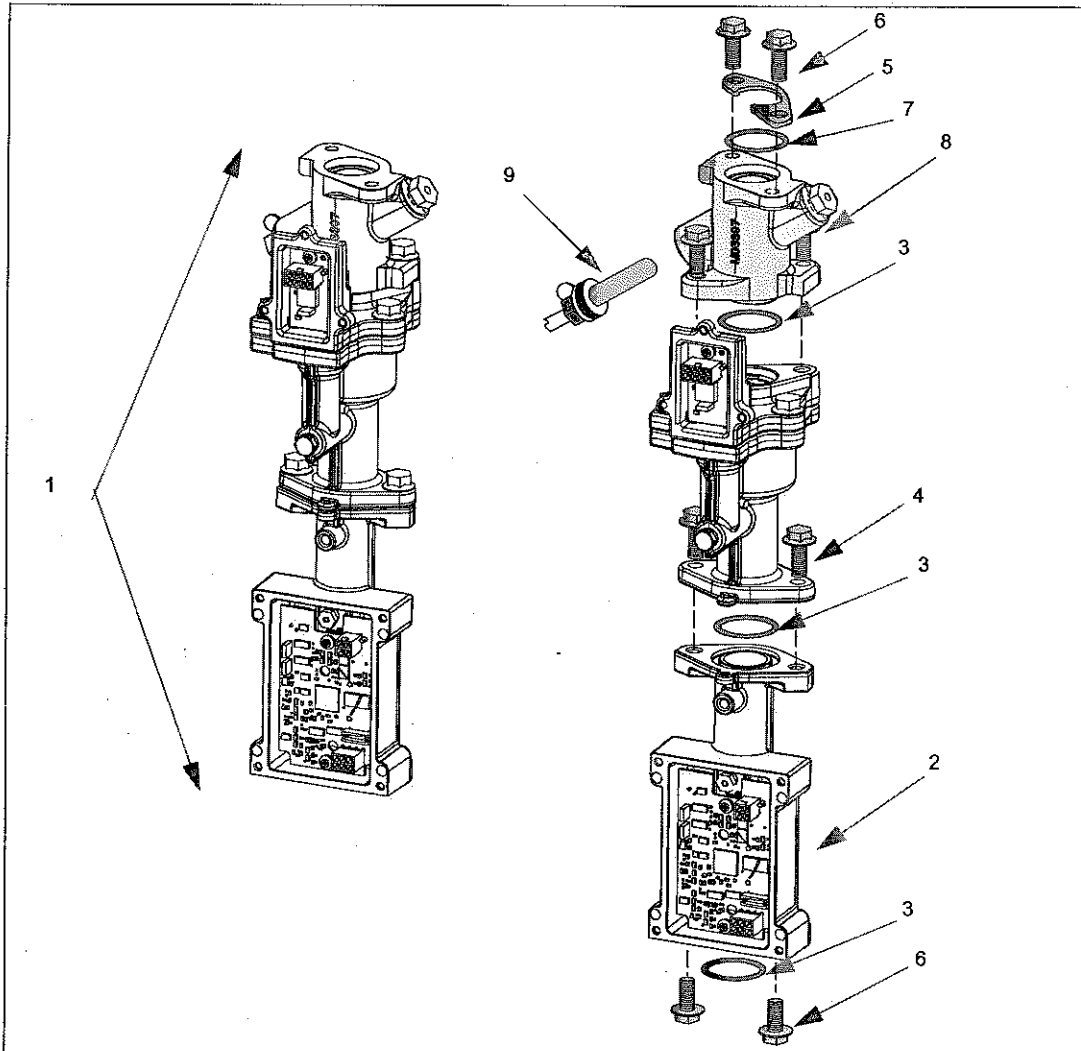
Item #	Description	Current Part	Previous Part	Quantity
	SMART Meter with Switch Assembly	M03529A001	-	1
1	SMART Meter Assembly - Gasoline	M02950A001	-	1
2	Flow Switch Assembly without Cover	M03310A001	-	1
3	• O-Ring	-	-	2
4	• Screw, M8 X 20	-	-	2
5	Parflange Clamp	M00445B001	-	1
6	• Bolts M8 X 16	-	-	2
7	• O-Ring	-	-	1

Diesel SMART Meter with Flow Switch



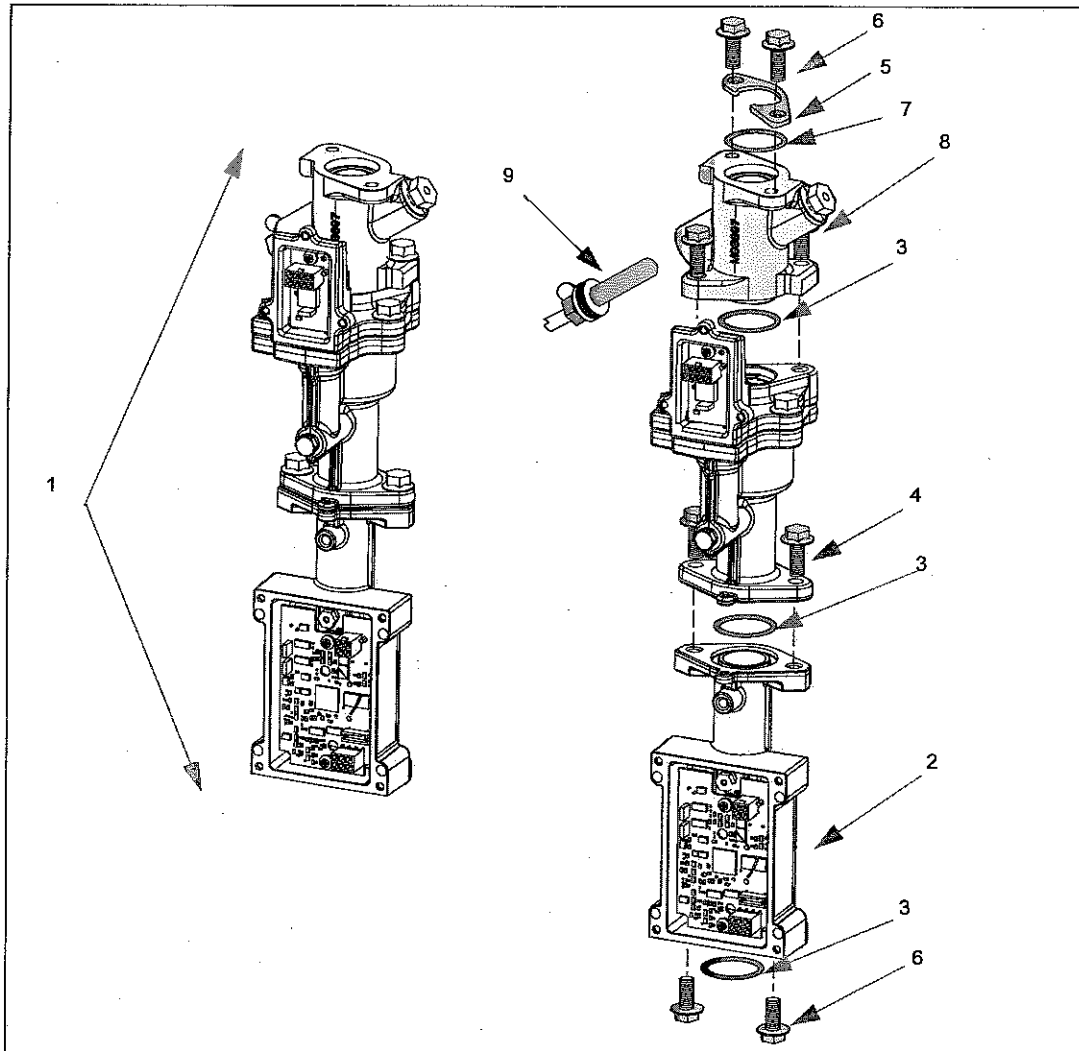
Item #	Description	Current Part	Previous Part	Quantity
	SMART Meter with Switch Assembly	M03529A001	-	1
1	SMART Meter Assembly - Diesel	M02950A002	-	1
2	Flow Switch Assembly without Cover	M03310A001	-	1
3	• O-Ring	-	-	2
4	• Screw, M8 X 20	-	-	2
5	Parflange Clamp	M00445B001	-	1
6	• Bolts M8 X 16	-	-	2
7	• O-Ring	-	-	1

Gasoline SMART Meter with Flow Switch and ATC Option



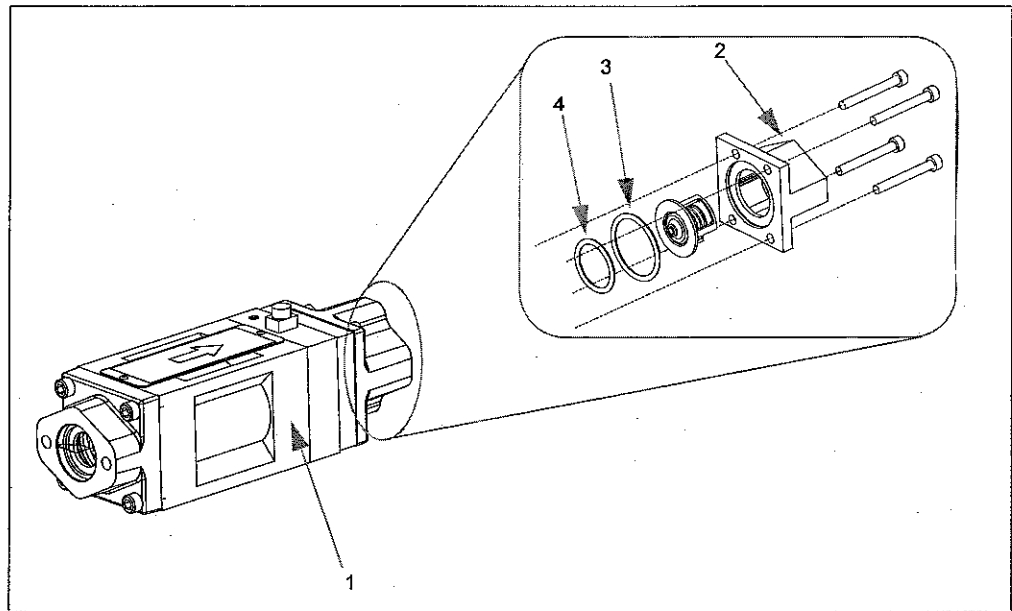
Item #	Description	Current Part	Previous Part	Quantity
SMART Meter with Switch Assembly		M03529A011, M03529A012	-	1
1	SMART Meter Assembly - Gasoline	M02950A001	-	1
2	Flow Switch Assembly without Cover	M03310A001	-	1
3	• O-Ring	-	-	3
4	• Screw, M8 X 20	-	-	2
5	Parflange Clamp	M00445B001	-	1
6	• Bolts M8 X 16	-	-	2
7	• O-Ring	-	-	1
8	ATC Probe Assembly	M04190A001	-	1
9	RTD Probe Assembly	Q13131-01	-	1

Diesel SMART Meter with Flow Switch and ATC Option



Item #	Description	Current Part	Previous Part	Quantity
SMART Meter with Switch Assembly		M03529A011 M03529A012	-	1
1	SMART Meter Assembly - Diesel	M02950A002	-	1
2	Flow Switch Assembly without Cover	M03310A001	-	1
3	• O-Ring	-	-	3
4	• Screw, M8 X 20	-	-	2
5	Parflange Clamp	M00445B001	-	1
6	• Bolts M8 X 16	-	-	2
7	• O-Ring	-	-	1
8	ATC Probe Assembly	M04190A001	-	1
9	RTD Probe Assembly	Q13131-01	-	1

Ecometer Assembly



Item #	Description	Current Part	Quantity
1	Ecometer Assembly	M07300A001	
2	Assembly Meter Check Valve	N23619-G2	1
3	O-Ring 1.609 X 0.139	N16891-33	1
4	O-Ring 1.231 X 0.139	N16891-41	1
5	O-Ring 0.862 X 0.103 (Not Shown)	Q12974-118	2

