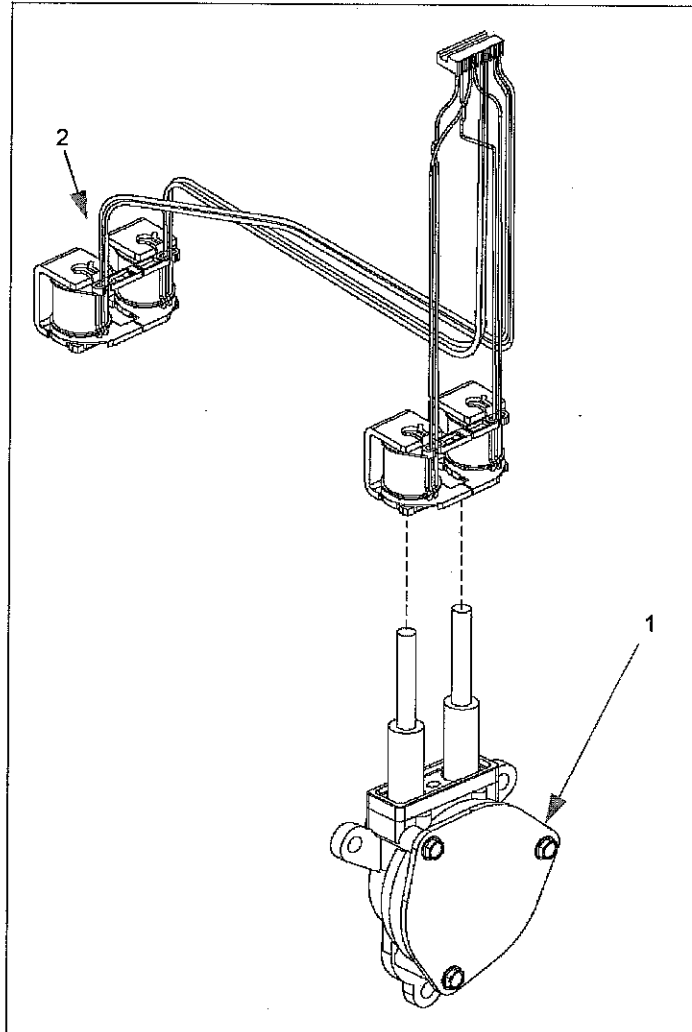


10 – Digital Valve and Coil Section

Valve



Item #	Description	Current Part	Previous Part	Quantity
1	Digital Valve Assembly (See Note 1)	M00246A001	-	1
2	Coil Assembly	M00454A002	M00454A001	(See Note 2)

Notes:

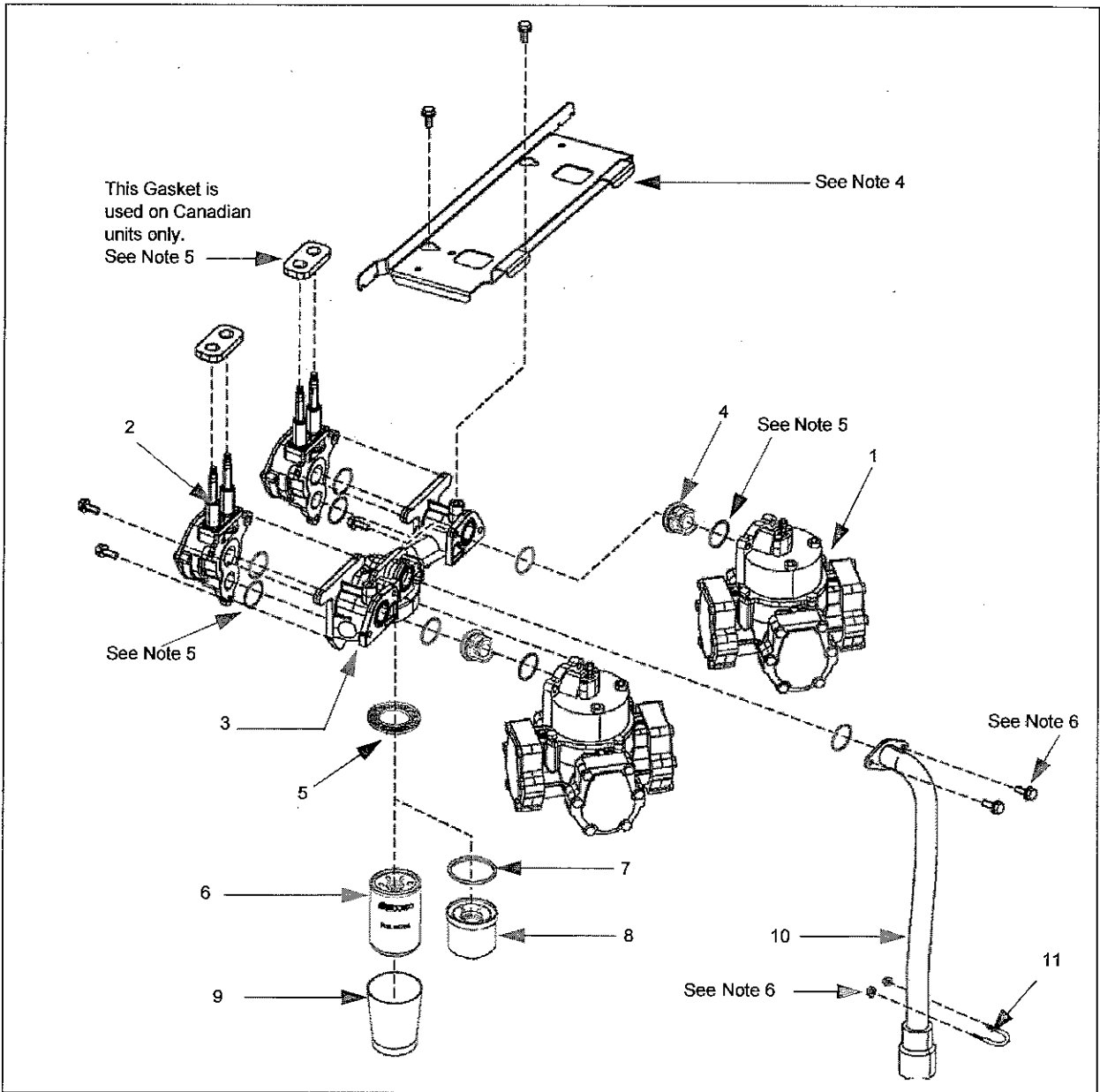
1. Refer to Digital Valve Repair kit K94444-03 (Rebuild) for additional information.
2. Quantities will vary depending upon the style of unit.

This page is intentionally left blank.

11 – Hydraulics Section

Lower Hydraulics

C+ Meter and Manifold Assembly

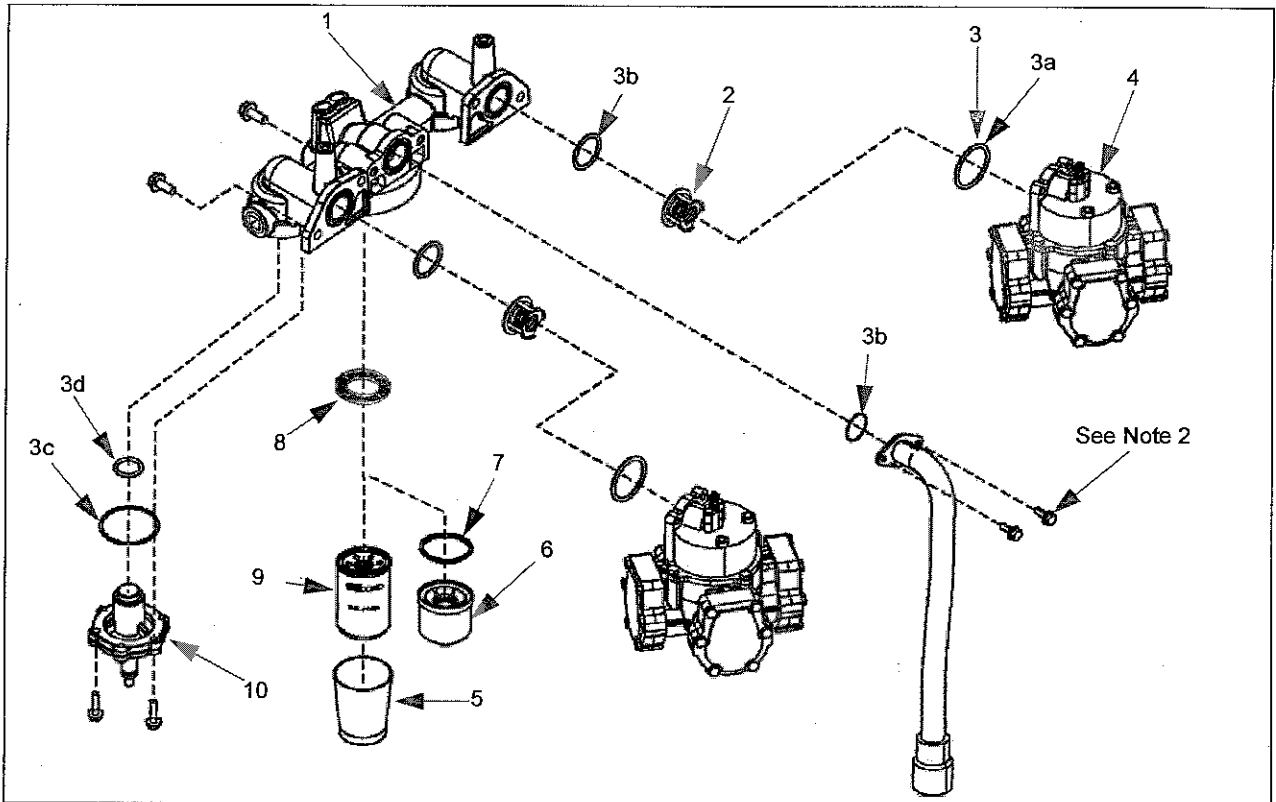


Item #	Description	Current Part	Previous Part	Quantity
1	C+ Meter Assembly	(See Note 1)	-	-
2	Digital Valve Assembly	(See Note 2)	-	-
3	Manifold Casting Lower Hydraulics	M00159B010	-	1 per Assembly
4	Meter Check Valve Assembly (See Note 8)	N23619-G2	N23619-G1	1 per Meter
	O-Ring (See Note 5)	-	-	2
	O-Ring (See Note 5)	-	-	2
5	Strainer, Filter	R19457	-	(See Note 3)
6	Filter (Water Alert)	R20039	-	1 per Manifold
	Filter (Particulate Only)	R18189-10	-	
7	Gasket	K93485	-	1
8	Filter Cap with Gasket (Optional)	R18896-G1	-	1 per Manifold
9	Collector, Fuel	K35493	-	1
10	Dispenser Feedline Assembly	M00302A001	-	(See Note 7)
	• Screw, Metric M8 X 20 (See Note 6)	-	-	14
11	• U-bolt, Metric M8 (See Note 7)	-	-	(See Note 3)
	• Nut, Metric M8 Serrated, Flange	(See Note 6)	-	2 per U-bolt

Notes:

1. Refer to "Meter Section" on page 9-1 for current part number.
2. Refer to "Digital Valve and Coil Section" on page 10-1 for current part number.
3. Quantity varies per assembly.
4. Current Manifold Bracket M00413B001 will be replaced by new bracket M01724B001 effective 10/08/01.
5. Use seals and gasket kit K96621-01 and K96621-02 (FF) (includes seal, gasket, O-Rings) to replace seals. Order one kit per manifold assembly.
6. Use metric hardware kit K96620-01 (includes screws, nuts, bolts) to replace fasteners.
7. Used on dispensers only. Refer to "Self-contained Pump Section" on page 12-1 for Self-contained Pumps.
8. Use check valve kit K96623-01 and K96623-02 (FF) (includes check valve, gasket, O-Rings, and check valve meter) to replace parts.

C+ Meter, Manifold, and Proportional Valve



Item #	Description	Current Part	Previous Part	Quantity
1	Manifold	M02226B010	-	1
	Manifold (ATC Option) (Not Shown)	M02226B020	-	1
	Manifold (Flexible Fuels) (Not Shown)	M02226B030	-	1
2	Meter Check Valve Assembly (See Note 1)	N23619-G2	-	1 per Meter
	Meter Check Valve Assembly (Flexible Fuels) (See Note 1)	N23619-G4	-	1 per Meter
3a	O-Rings (See Note 1)	Q10068-14	-	2
	O-Rings (Flexible Fuels)	Q12974-223	-	2
3b	O-Rings (See Note 1)	Q10068-09	-	2
	O-Rings (Flexible Fuels)	Q12974-218	-	2
3c	O-Rings (See Note 1)	Q10066-51	Q10068-51	1
	O-Rings (Flexible Fuels)	Q12974-138	-	1
3d	O-Rings (See Note 1)	Q10068-03	-	1
	O-Rings (Flexible Fuels)	Q12974-212	-	1
4	C+ Meter Assembly (See Note 3)	-	-	2
5	Collector, Fuel	K35493	-	1
6	Filter Cap with Gasket (Optional)	R18896-G1	-	1 per Manifold
7	Gasket	K93485	-	1
8	Strainer, Filter	R19457	-	(See Note 4)

Item #	Description	Current Part	Previous Part	Quantity
9	Filter (Water Alert)	R20039	-	1
	Filter (Particulate Only)	R18189-10	-	1
	Filter (Flexible Fuels)	M08005B010	M08005A010	1
10	Proportional Valve	M02227A001	-	2
	Proportional Valve (Flexible Fuels)	M02227A001P	-	2

Notes:

1. Use check valve kit K96623-01 and K96623-02 (FF) (includes check valve, gasket, O-Rings and check valve meter) to replace parts.
2. Use metric hardware kit K96620-01 (includes screws, nuts, bolts) to replace fasteners.
3. Refer to "Meter Section" on page 9-1 for current part number.
4. Use seals and gasket kit K96621-01 and K96621-02 (FF) (includes seal, gasket, O-Rings) to replace seals. Order one kit per manifold assembly.
5. Quantity varies per assembly.

Ecometer and Manifold Assembly

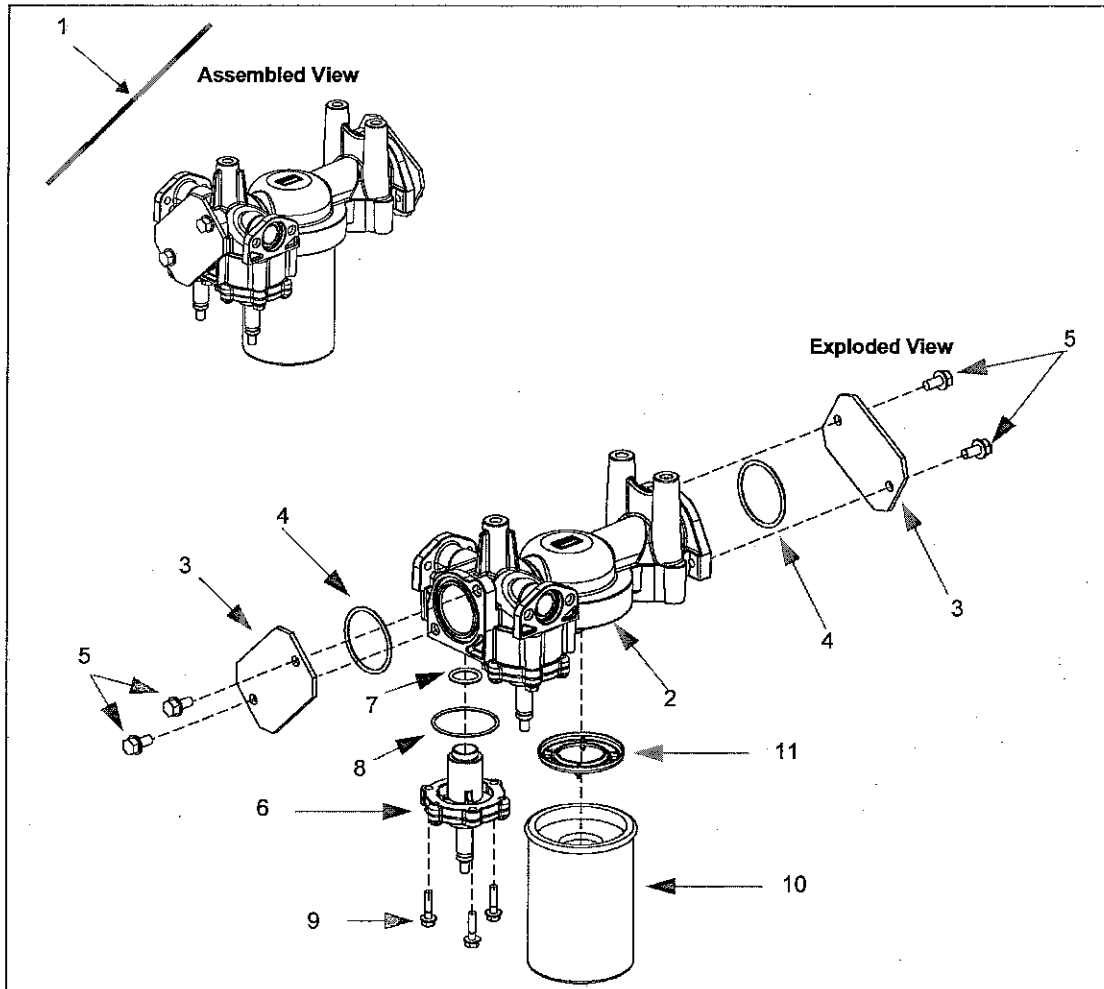
Item #	Description	Current Part
1	Filter/Valve Manifold Assembly	M08404B001
2	Hydraulic Blanking Plate for Manifold	M03633B001
3	O-Ring for Manifold Blanking Plate	Q10068-18
4	Elbow for Grade 1 on Extended Reach	M04456A001
5	Meter Bracket	M07567A001
6	Nut for Meter Bracket	M00414B002
7	Meter to Bracket Screw	M00415B004

Filters

Item #	Description	Current Part
1	Gasoline Filter	M08007B010
2	Diesel Filter	M08007B030

Note: These filters must be used with Ecometer units to maintain warranty.

Manifold Valve and Filter Assembly - Encore 550 SMART Meter

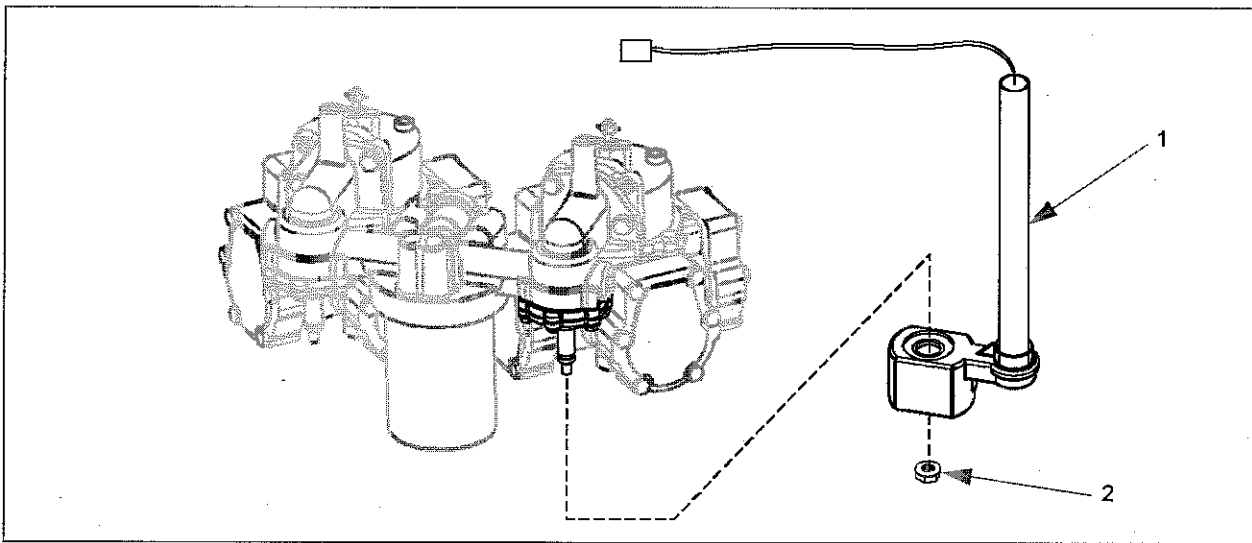


Item #	Description	Current Part	Previous Part	Quantity
1	Manifold Valve and Filter Assembly	M03506A001	-	1
	Manifold Valve and Filter Assembly with Ecometer	M03506A002	-	1
2	Manifold (Machined)	M03404B010	-	3
3	Manifold Seal Plates	M03622B001	-	2
4	O-Ring 2.109 X 0.139	Q10068-18	-	1
5	Screw M8 X 16 (See Note)	M00417B109	-	4
6	Proportional Valve	M02227A001	-	2
	Proportional Valve with Ecometer	M02227A002	-	2
7	O-Ring (Reference) 0.859 X 0.139	Q10068-03	-	2
8	O-Ring 2.112 X 0.103	Q10066-51	-	2
9	Screw M6 X 25	M00415B016	-	6

Item #	Description	Current Part	Previous Part	Quantity
10	Filter (Water Alert)	R20039	-	1
	Filter with Ecometer	M08007B010	-	1
	Filter with Ecometer (Diesel)	M08007B030	-	1
11	Strainer, Filter	R19457	-	1

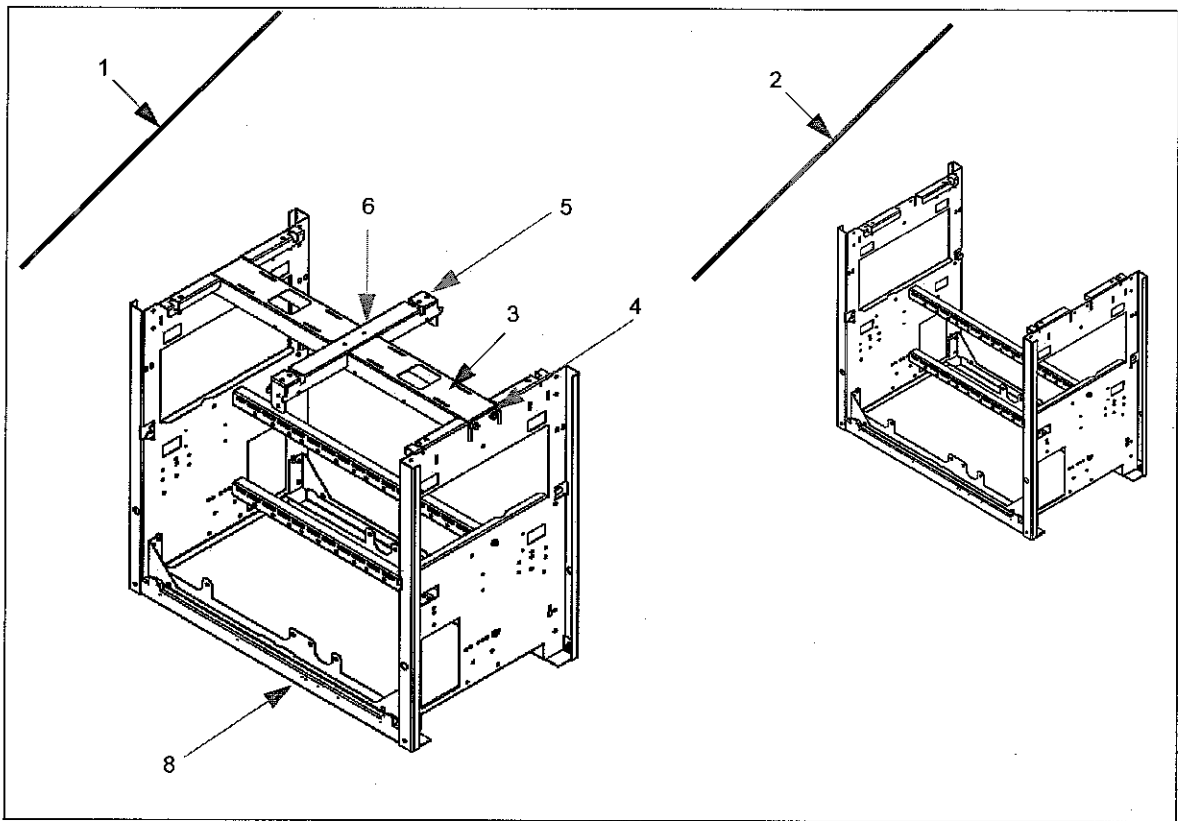
Note: Use metric hardware kit K96620-01 (includes screws, nuts, and bolts) to replace fasteners.

Valve Coil Assembly



Item #	Description	Current Part	Previous Part	Quantity
1	Valve Coil Assembly with Conduit	M02958A001	-	1 per Valve
2	Nut, Metric M8	-	-	1

Hydraulic Frame Assembly (Encore 300, 500, Ultra-Hi units)



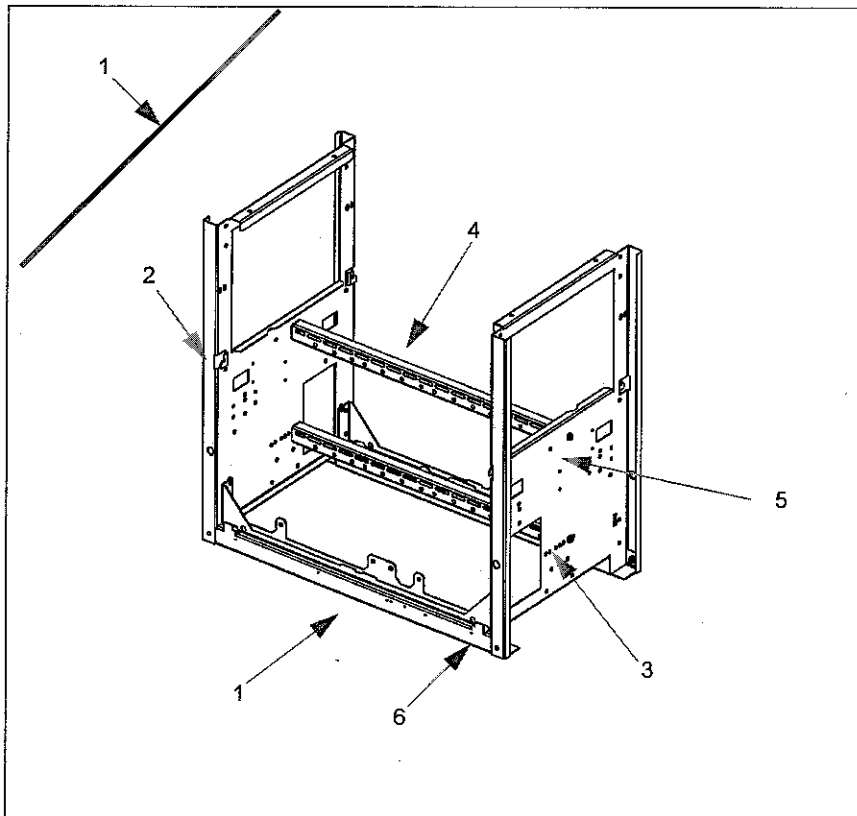
Item #	Description	Current Part	Previous Part	Quantity
1	Hydraulic Frame Assembly	M01413A001	-	1
2	Hydraulic Frame Assembly (Used with Digital Valve)	M01413A004	M01413A002	1
3	Hydraulic Frame Center Rail	M01416B001	-	1
4	• Screw, Metric M8 X 18 (See Note 2)	-	-	8
5	Hydraulic Frame Cross Rail	M01417B001	-	1
6	• Rivet, Pop	-	-	2
7	Hydraulic Frame Base Rail	M01414B001	-	2
	Pipe Support Frame (Not Shown)	M00406B001	-	1

Notes:

1. Parts cannot be sold separately.

2. Use metric hardware kit K96620-01 (includes screws, nuts, and bolts) to replace fasteners.

Hydraulic Frame Assembly (Encore 550)



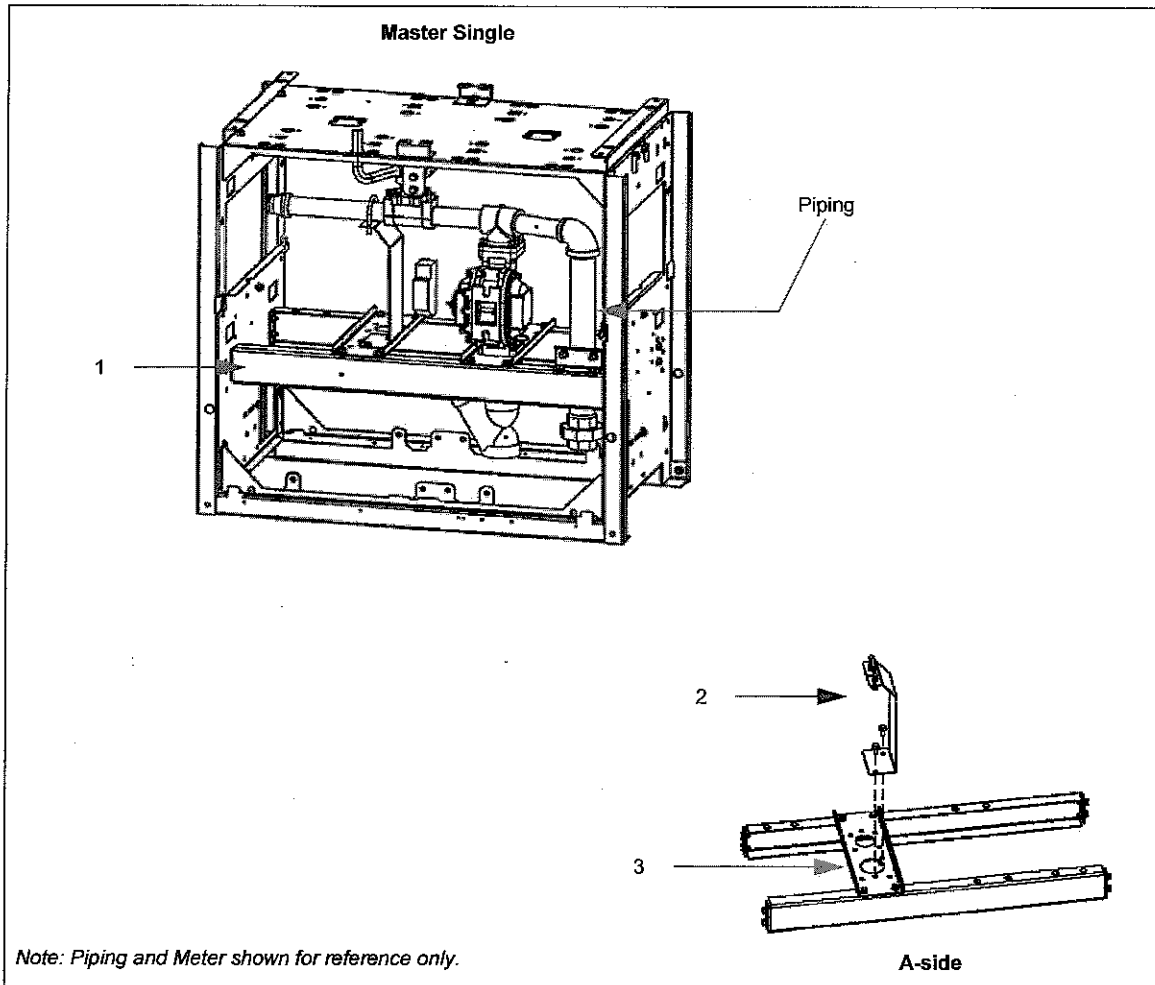
Item #	Description	Current Part	Previous Part	Quantity
Hydraulic Frame Assembly (Used with Digital Valve)		M01413A004	M01413A002	1
1	Hydraulic Frame Base Rail	M01414B001	-	2
2	Hydraulic Frame Lower Column	M03424B001	-	2
3	• Nut, Metric Hex M8 (See Note 2)	-	-	8
4	Pipe Support Frame	M00406B001	-	2
5	• Screw, M8 X 18 (See Note 2)	-	-	4
6	Stud, Metric M4 X 18	Q12887-48	-	4

Notes:

1. Parts cannot be sold separately.

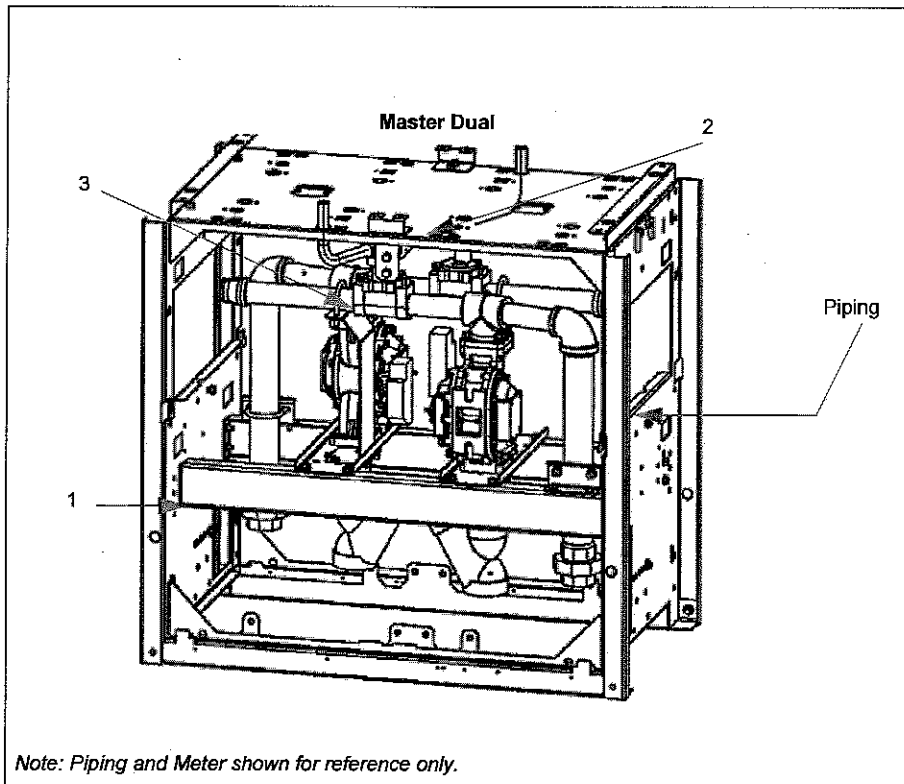
2. Use metric hardware kit K96620-01 (includes screws, nuts, and bolts) to replace fasteners.

Hydraulic Frame Assembly (Master Single)



Item #	Description	Current Part	Previous Part	Quantity
Lower Hydraulic Frame (Master Single) (See Note 1)				
1	Hydraulic Frame Rail	M01974B001	-	2
2	Bracket, Hydraulic Line Brace	M02394B001	-	1
3	Bracket, Hydraulic Meter Support	M01975B001	-	1
-	• U-bolt, Metric M8	M00703B002	-	1
-	• Screw, Metric M8 X 18 (See Note 2)	-	-	16
-	• Nut, Metric M8 Serrated (See Note 2)	-	-	6
-	• Screw, Metric M8 X 20 (See Note 2)	-	-	4
Notes:				
1. All parts listed below are individual parts which can be found under the Lower Hydraulic Frame Assembly. Parts cannot be sold separately.				
2. Use metric hardware kit K96620-01 (includes screws, nuts, and bolts) to replace fasteners.				

Hydraulic Frame Assembly (Master Dual)

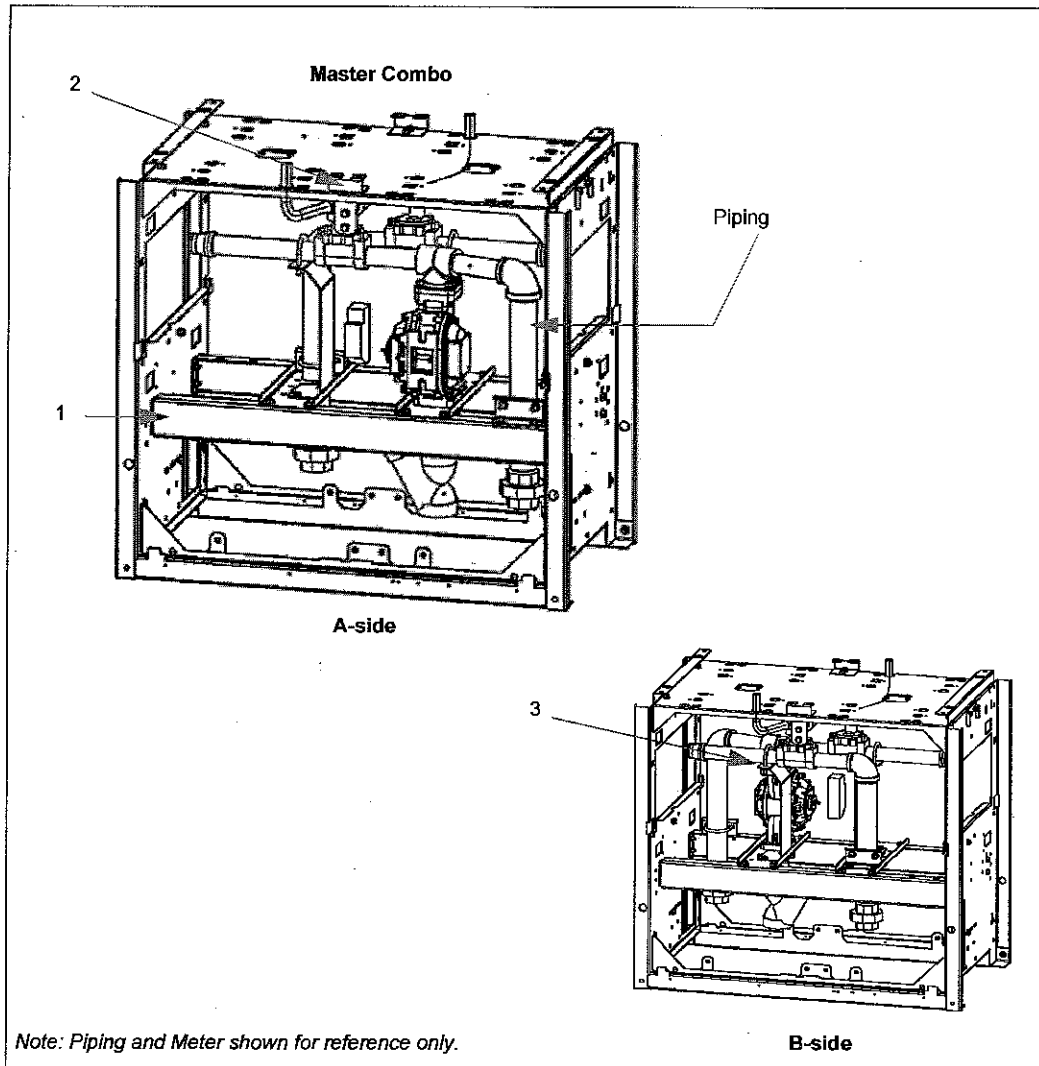


Item #	Description	Current Part	Previous Part	Quantity
Lower Hydraulic Frame (Master Dual) (See Note 1)				
1	Hydraulic Frame Rail	M01974B001	-	2
2	Bracket, Hydraulic	M02394B001	-	2
3	• U-bolt, Metric M8	M00703B002	-	2
-	• Screw, Metric M8 X 18 (See Note 2)	-	-	12
-	• Nut, Metric M8 serrated (See Note 2)	-	-	12
-	• Screw, Metric M8 X 20 (See Note 2)	-	-	8

Notes:

1. All parts listed below are individual parts which can be found under the Lower Hydraulic Frame Assembly. Parts cannot be sold separately.
2. Use metric hardware kit K96620-01 (includes screws, nuts, and bolts) to replace fasteners.

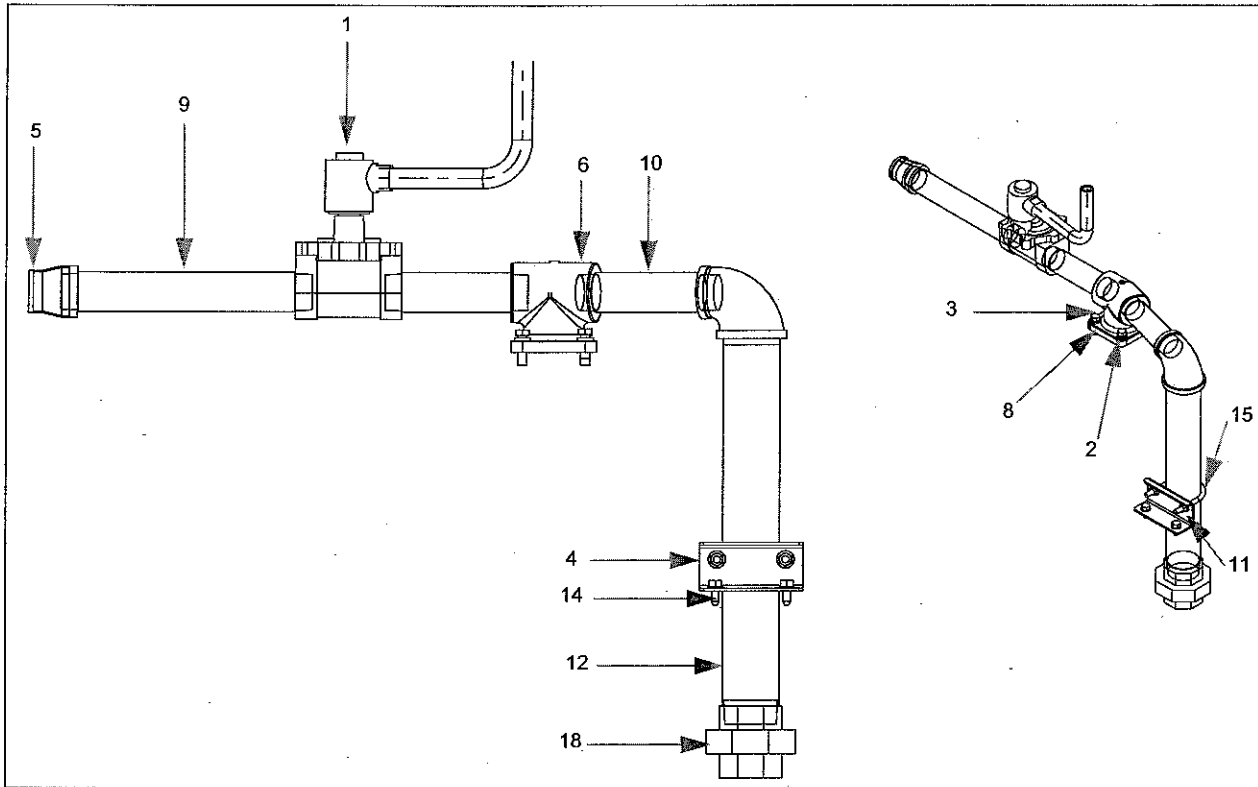
Hydraulic Frame Assembly (Master Combo)



Item #	Description	Current Part	Previous Part	Quantity
Lower Hydraulic Frame (Master Combo) (See Note 1)				
1	Hydraulic Frame Rail	M01974B001	-	2
2	Bracket, Hydraulic	M02394B001	-	2
3	• U-bolt, Metric M8	M00703B002	-	2
-	• Screw, Metric M8 X 18 (See Note 2)	-	-	12
-	• Nut, Metric M8 Serrated (See Note 2)	-	-	12
-	• Screw, Metric M8 X 20 (See Note 2)	-	-	8

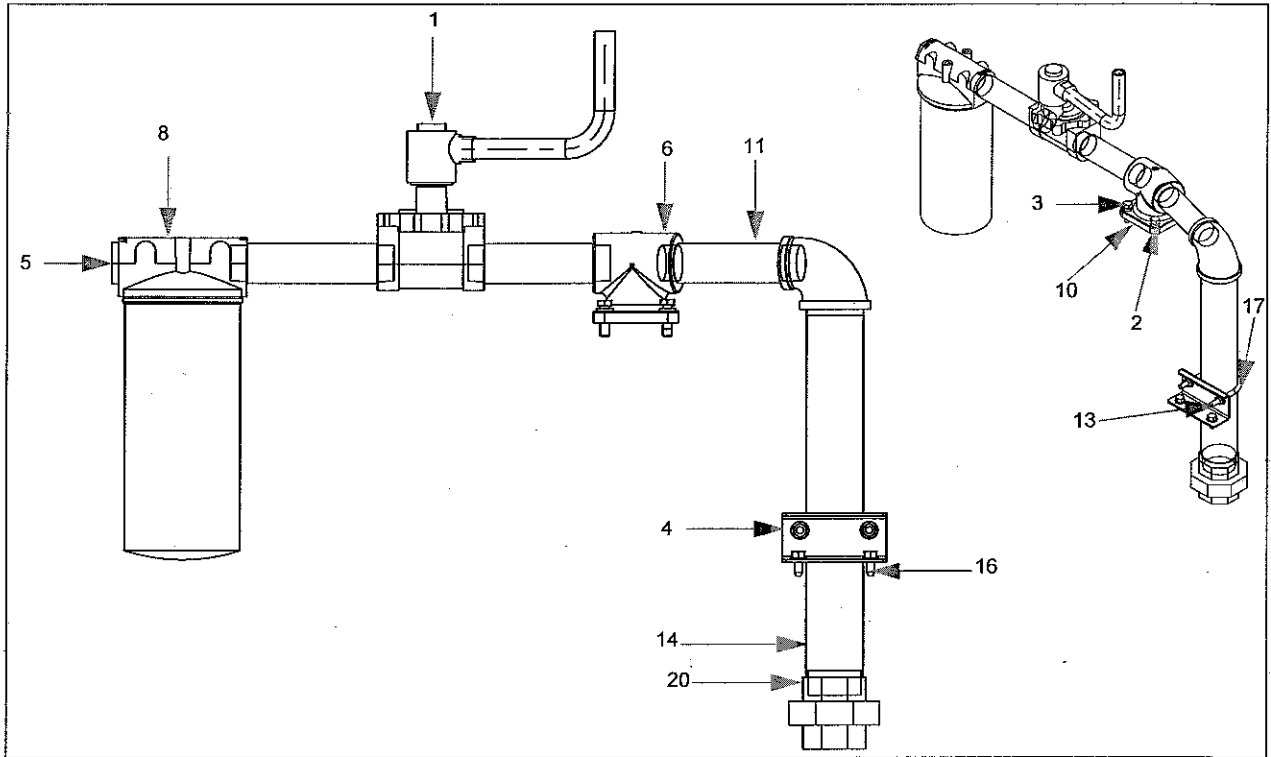
Notes:
 1. All parts listed below are individual parts which can be found under the Lower Hydraulic Frame Assembly. Parts cannot be sold separately.
 2. Use metric hardware kit K96620-01 (includes screws, nuts, and bolts) to replace fasteners.

Master Part of Combo (Ultra-Hi without Filter)



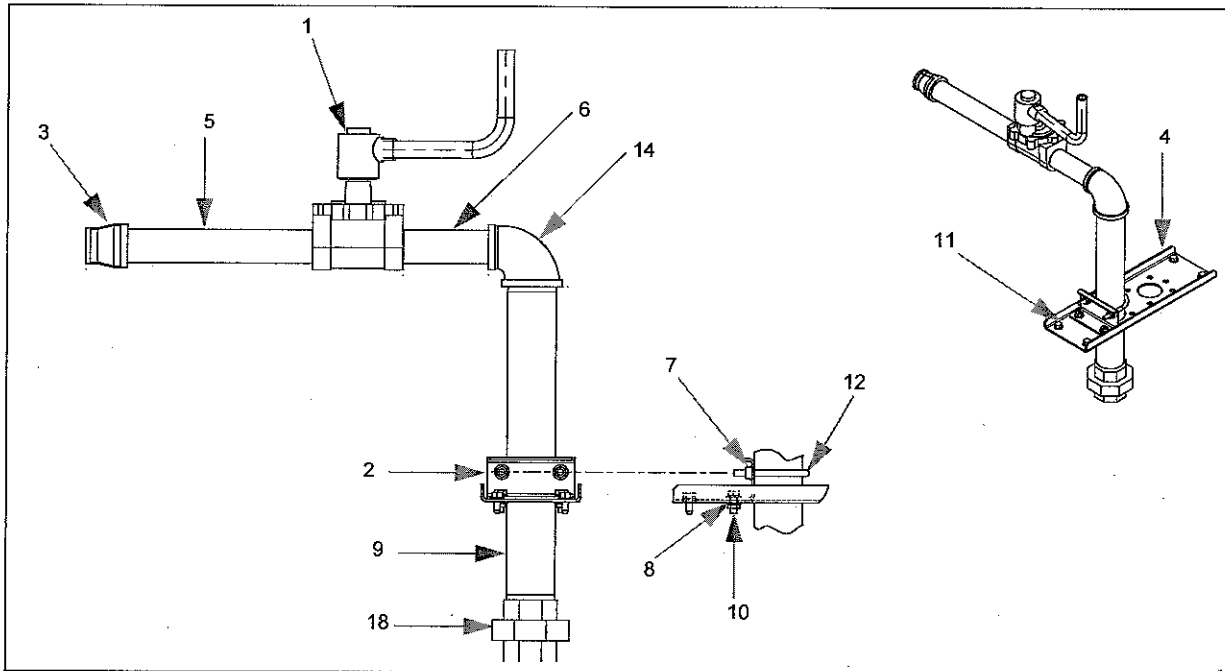
Item #	Description	Current Part	Quantity
1	Assy 2-position Valve with Conduit Encore	M02321A003	1
2	Bolt Hex Hd Finished 3/8-16 X 1.00	K01902	1
3	Bolt Hex Hd Finished 3/8-16 X 1.25	K01903	3
4	Bracket Discharge Pipe Support	M02332B001	1
5	Coupling Reducer Pipe Iron NPT	M02135B001	1
6	Discharge Fitting (As Machined)	T17903-10	1
7	Lockwasher, 3/8" HEAVY	K50775	4
8	Nipple Std Pipe 1-1/4 X 10-9/16 inch NPT	R11494-64	1
9	Nipple Std Pipe 1-1/4 X 6 inch NPT	R11494-63	2
10	Nut Hex Flanged 5/16-18	Q11890-05	2
11	Pipe Nipple 2 X 16.875 inch Steel	R11501-39	1
12	Elbow, 90 Deg Reducer 2 X 1-1/4	K22473-01	1
13	Screw, Tf, Hex Whsr Hd M8 X 18	M00417B009	2
14	U-Bolt 5/16-18 X 2.875	K21608	1
15	Pipe Plug C-sunk 1/8	K46444	1
16	Pipe Union, Female	K22468	1
17	Sealant Pipe Stalok Teflon	END-1678	AR
18	Tape Pipe Joint Sealer	470199000	AR

Master Part of Combo (Ultra-Hi with Filter)



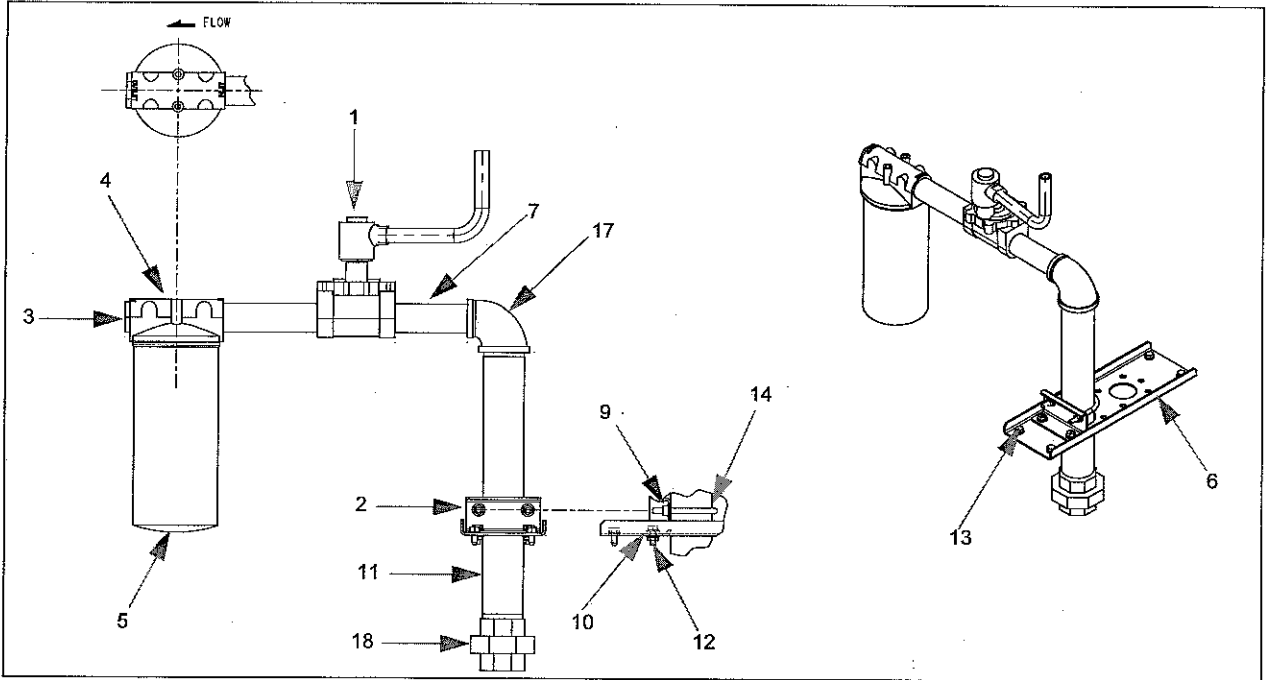
Item #	Description	Current Part	Quantity
1	Assy 2-position Valve with Conduit Encore	M02321A003	1
2	Bolt Hex Hd Finished 3/8-16 X 1.00	K01902	1
3	Bolt Hex Hd Finished 3/8-16 X 1.25	K01903	3
4	Bracket Discharge Pipe Support	M02332B001	1
5	Bushing, Hex Reducer	K02309-22	1
6	Discharge Fitting (As Machined)	T17903-10	1
7	Filter Adapter Housing	M02091B010	1
8	Filter Gasoline 1-1/4" Spin-on High Flow	M02264B001	1
9	Lockwasher, 3/8" HEAVY	K50775	4
10	Nipple Std Pipe 1-1/4 X 6 inch NPT	R11494-63	2
11	Nipple Std Pipe 1-1/4 X 6-7/8 inch NPT	R11494-66	1
12	Nut Hex Flanged 5/16-18	Q11890-05	2
13	Pipe Nipple 2 X 16.875 inch Steel	R11501-39	1
14	Elbow, 90 Deg Reducer 2 X 1-1/4	K22473-01	1
15	Screw, Tf, Hex Wnshr Hd M8 X 18	M00417B009	2
16	U-Bolt 5/16-18 X 2.875	K21608	1
17	Pipe Plug C-Sunk 1/8	K46444	1
18	Pipe Union, Female	K22468	1
19	Sealant Pipe Stalok Teflon	END-1678	AR
20	Tape Pipe Joint Sealer	470199000	AR

Satellite Part of Combo (Ultra-Hi without Filter)



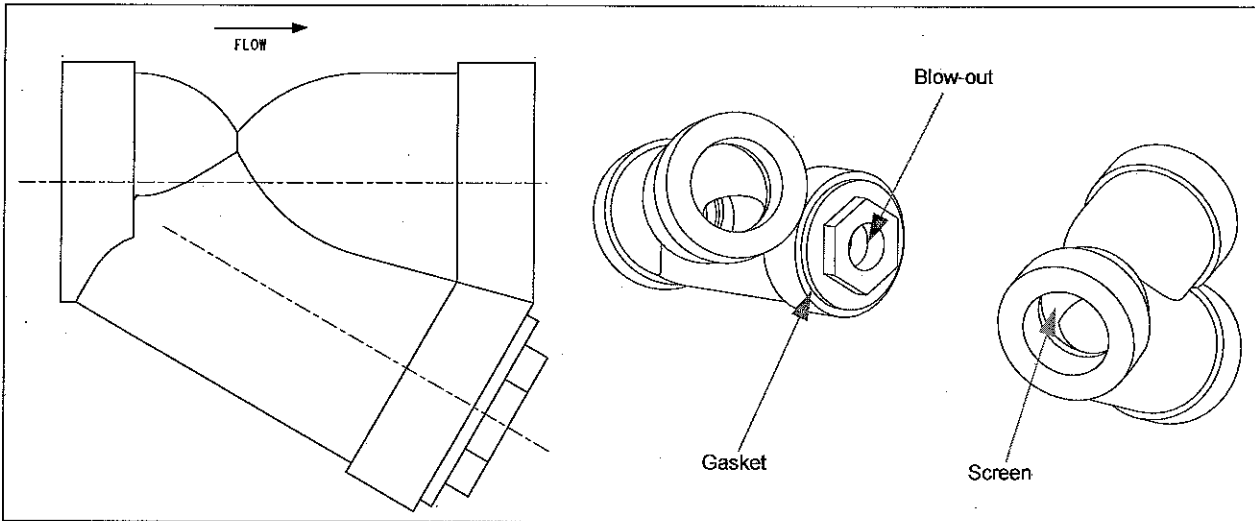
Item #	Description	Current Part	Quantity
1	Assy 2-position Valve with Conduit Encore	M02321A003	1
2	Bracket Discharge Pipe Support	M02332B001	1
3	Coupling Reducer Pipe Iron NPT	M02135B001	1
4	Meter Support Bracket Encore Ultra-Hi	M01975B001	1
5	Nipple Std Pipe 1-1/4 X 10-9/16 inch NPT	R11494-64	1
6	Nipple Std Pipe 1-1/4 X 6 inch NPT	R11494-65	1
7	Nut Hex Flanged 5/16-18	Q11890-05	1
8	Nut, Metric, Hex Serrd Flange (M8)	M00414B003	2
9	Pipe Nipple 2 X 16.875 inch Steel	R11501-39	2
10	Screw Metric M8 X 20	M00415B010	1
11	Screw, Tf, Hex Whsr Hd M8 X 18	M00417B009	2
12	U-Bolt 5/16 - 18 X 2.875	K21608	4
13	Sealant Pipe Joint Sealer	END-1678	1
14	Tape Pipe Joint Sealer	470199000	AR
15	Elbow, 90 Deg Reducer 2 X 1-1/4	K22473-01	AR
16	Pipe Union, Female	K22468	1

Satellite Part of Combo (Ultra-Hi with Filter)



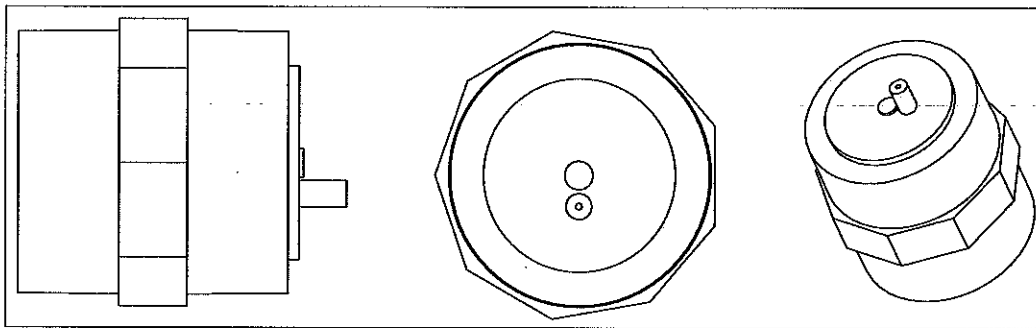
Item #	Description	Current Part	Quantity
1	Assy 2-position Valve with Conduit Encore	M02321A003	1
2	Bracket Discharge Pipe Support	M02332B001	1
3	Bushing, Hex Reducer	K02309-22	1
4	Filter Adapter Housing	M02091B010	1
5	Filter Gasoline 1-1/4" Spin-on High Flow	M02264B001	1
6	Meter Support Bracket Encore Ultra-Hi	M01975B001	1
7	Nipple Std Pipe 1-1/4 X 6 inch NPT	R11494-63	1
8	Nipple Std Pipe 1-1/4 X 6-7/8 inch NPT	R11494-66	1
9	Nut Hex Flanged 5/16-18	Q11890-05	2
10	Nut, Metric, Hex Serrd Flange (M8)	M00414B003	2
11	Pipe Nipple 2 X 16.875 inch Steel	R11501-39	1
12	Screw Metric M8 X 20	M00415B010	2
13	Screw, Tf, Hex Whsr Hd M8 X 18	M00417B009	4
14	U-Bolt 5/16 - 18 X 2.875	K21608	1
15	Sealant Pipe Joint Sealer	END-1678	AR
16	Tape Pipe Joint Sealer	470199000	AR
17	Elbow, 90 Deg Reducer 2 X 1-1/4	K22473-01	1
18	Pipe Union, Female	K22468	1

Ultra-Hi Strainer Screen



Item #	Description	Current Part
1	Assembly	K93793
2	Gasket	K93793-01
3	Screen	K93793-02

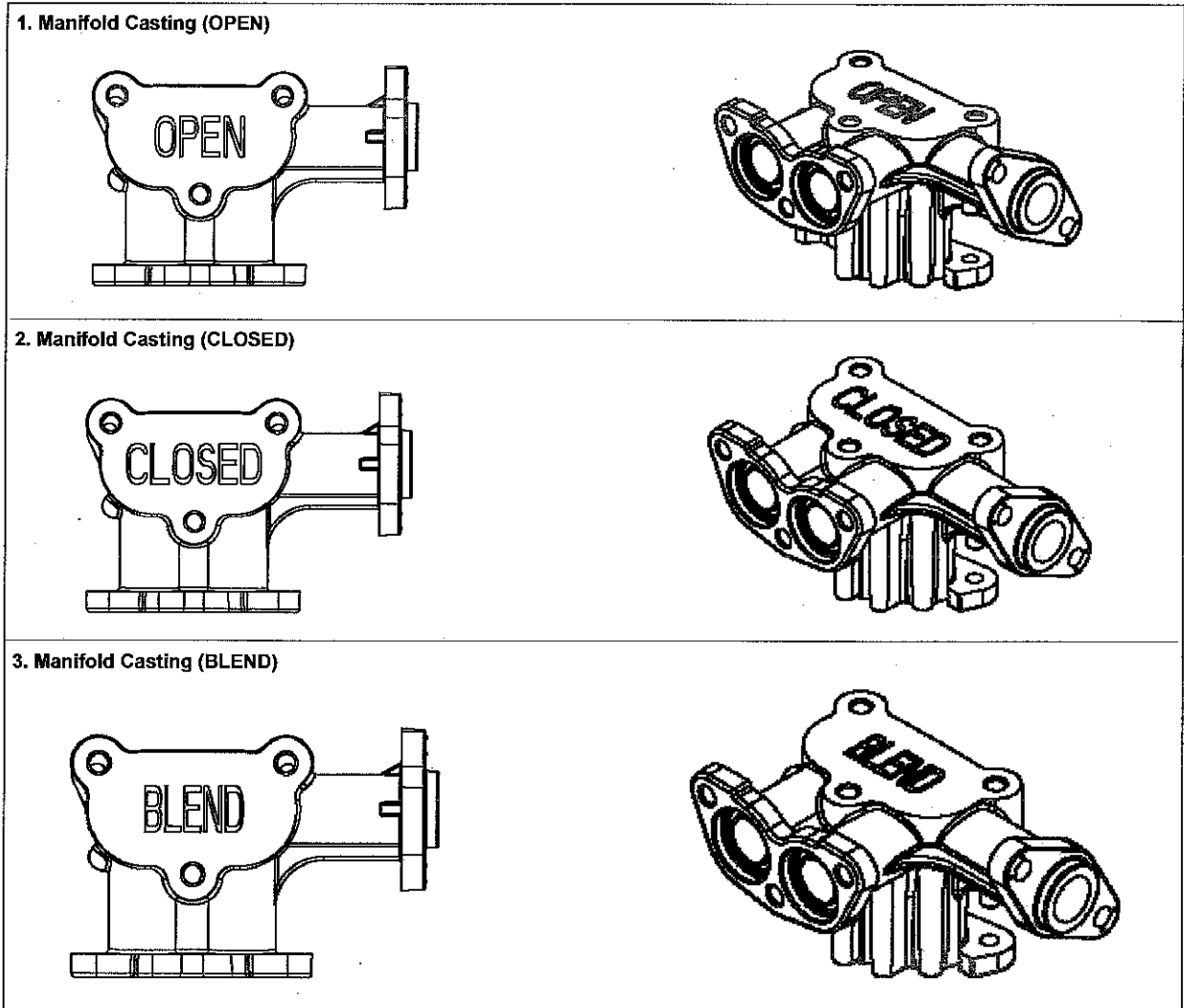
Check Valve



Item #	Description	Current Part
1	Check Valve	N23274

Upper Hydraulics

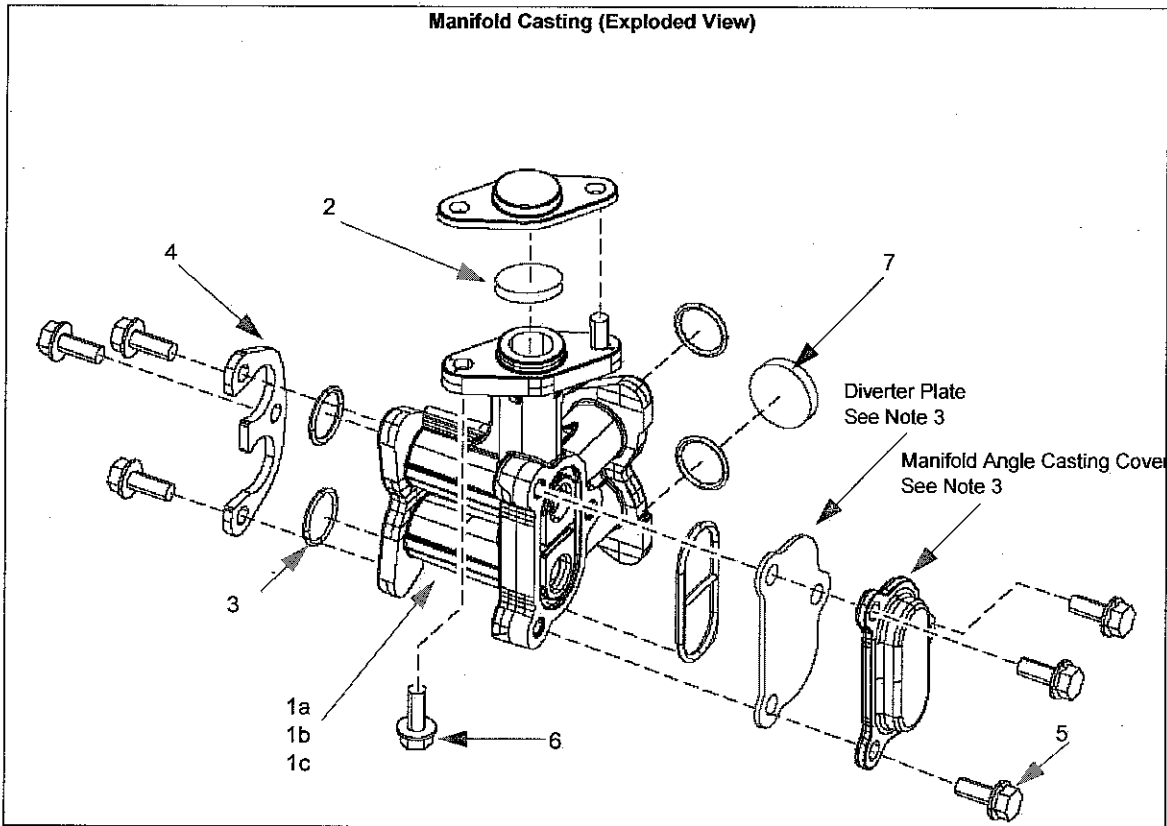
Manifold Angle Castings



Item #	Description	Current Part	Previous Part	Quantity
1	Manifold Angle Casting (OPEN)	M02087B010	M00160B010	1
	Manifold Angle Casting (Flexible Fuels) (OPEN)	M02087B030	-	1
2	Manifold Angle Casting (CLOSED)	M02088B010	M00160B010	1
	Manifold Angle Casting (Flexible Fuels) (CLOSED)	M02088B030	-	1
3	Manifold Angle Casting (BLEND)	M02771B010	-	1
	Manifold Angle Casting (Flexible Fuels) (BLEND)	M02771B030	-	1

Manifold Angle Casting Assembly

For Units Built Before April 2002



Item #	Description	Current Part	Previous Part	Quantity
1a	Manifold Angle Casting - Open (See Note 3)	M02087B010	M00160B010	1
1b	Manifold Angle Casting - Closed (See Note 3)	M02088B010	-	1
1c	Manifold Angle Casting - Blend (See Note 3)	M02771B010	-	1
2	Gasket, Angle Casting Plug (See Note 2)	M00613B001	-	1
3	O-Ring, 0.862 X 0.103 X 0.103 (See Note 2)	-	-	4
4	Clamp, Parflange (Not Part of Kit)	M00133B001	-	2
5	Screw, M8 X 20 (See Note 1)	-	-	6
6	Screw, Metric Socket Button Head (See Note 1)	-	-	2
	Manifold Angle Casting Gasket (See Note 2)	M00789B001	-	1
7	Plug	M00592B001	-	(See Note 4)

Notes:

1. Refer to kit K96620-01 for Metric hardware parts.
2. Refer to kit K96621-01 and K96621-02 (FF) for Seal and Gasket parts.
3. The manifold angle casting has been redesigned, eliminating the diverter plate and cover. For spare part requirements to units manufactured after February 2002, refer to "Hydraulics Configurations" on page 11-19 to determine correct part number.
4. Quantity will vary between 0 and 3 depending on the model.

Hydraulics Configurations

4

3

2

1

REFERENCE INFORMATION

TYPE ALL FIGURES:

- 1- THICK SOLID LINES = LOWER HYDRAULIC PIPING
- 2- THICK DASHED LINES = UPPER HYDRAULIC PIPING
- 3- INLET PRODUCT CODES
- 4- METER CODES
- 5- HOSE OUTLET PRODUCTS
- 6- UPPER HOUSING MANIFOLDS
- 7- (OLD DESIGN: WITH DIVERTER PLATE)
- 8- (OLD DESIGN: LESS DIVERTER PLATE)
- 9- NOT APPLICABLE
- B = BLEND MANIFOLD

REVISIONS

SYM	DESCRIPTION
C	ADDED: THIS SHEET
EAN: 0656761	LBS
D	ADDED: FIGURE 2M
EAN: 06711/01	GVY
E	ADDED: COPPER TUBE DESIGNATIONS
EAN: 0658452	GVY
F	CHGD: COMPANY NAME TO GILBARCO. CODE 'C' WAS 'D'. CODE 'O' WAS 'L'. ADDED: 'OPEN' AND 'CLOSED' DESCRIPTION TO REF INFORMATION 7
EAN: 0664301	LBS
G	ADDED: 'B' CODE TO REF INFORMATION CHNG: 'B' CODES WERE 'O' CODES IN FIGURES 2K & 2L
EAN: 0664345	LBS

4

3

2

1

TWO SIDED UNITS

FOR REFERENCE ONLY SEE MCO979 SPECIFICATION ENCORE PARTS GROUPS AND SOLID MODEL FOR DETAILS OF ASSEMBLY

LEGAL NOTICE

This document contains proprietary information of Gilbarco Inc. or its wholly owned subsidiaries. UNLESS OTHERWISE SPECIFIED, DIMENSIONS ARE IN MILLIMETERS (mm). FOR DIMENSIONS SEE THE LATEST REVISION OF MCO979.

ENCORE USED ON APPLICATION

4

3

2

1

MOA, CONFIGURATION LOWER HYDRAULICS

OR PARTS GROUPS

SCALE: NONE

REV: 2 OF 3

REV: 1

REV: 2

REV: 3

REV: 4

REV: 5

REV: 6

REV: 7

REV: 8

REV: 9

REV: 10

REV: 11

REV: 12

REV: 13

REV: 14

REV: 15

REV: 16

REV: 17

REV: 18

REV: 19

REV: 20

REV: 21

REV: 22

REV: 23

REV: 24

REV: 25

REV: 26

REV: 27

REV: 28

REV: 29

REV: 30

REV: 31

REV: 32

REV: 33

REV: 34

REV: 35

REV: 36

REV: 37

REV: 38

REV: 39

REV: 40

REV: 41

REV: 42

REV: 43

REV: 44

REV: 45

REV: 46

REV: 47

REV: 48

REV: 49

REV: 50

REV: 51

REV: 52

REV: 53

REV: 54

REV: 55

REV: 56

REV: 57

REV: 58

REV: 59

REV: 60

REV: 61

REV: 62

REV: 63

REV: 64

REV: 65

REV: 66

REV: 67

REV: 68

REV: 69

REV: 70

REV: 71

REV: 72

REV: 73

REV: 74

REV: 75

REV: 76

REV: 77

REV: 78

REV: 79

REV: 80

REV: 81

REV: 82

REV: 83

REV: 84

REV: 85

REV: 86

REV: 87

REV: 88

REV: 89

REV: 90

REV: 91

REV: 92

REV: 93

REV: 94

REV: 95

REV: 96

REV: 97

REV: 98

REV: 99

REV: 100

Gilbarco Inc.®

MOA, CONFIGURATION LOWER HYDRAULICS

OR PARTS GROUPS

SCALE: NONE

REV: 2 OF 3

REV: 1

REV: 2

REV: 3

REV: 4

REV: 5

REV: 6

REV: 7

REV: 8

REV: 9

REV: 10

REV: 11

REV: 12

REV: 13

REV: 14

REV: 15

REV: 16

REV: 17

REV: 18

REV: 19

REV: 20

REV: 21

REV: 22

REV: 23

REV: 24

REV: 25

REV: 26

REV: 27

REV: 28

REV: 29

REV: 30

REV: 31

REV: 32

REV: 33

REV: 34

REV: 35

REV: 36

REV: 37

REV: 38

REV: 39

REV: 40

REV: 41

REV: 42

REV: 43

REV: 44

REV: 45

REV: 46

REV: 47

REV: 48

REV: 49

REV: 50

REV: 51

REV: 52

REV: 53

REV: 54

REV: 55

REV: 56

REV: 57

REV: 58

REV: 59

REV: 60

REV: 61

REV: 62

REV: 63

REV: 64

REV: 65

REV: 66

REV: 67

REV: 68

REV: 69

REV: 70

REV: 71

REV: 72

REV: 73

REV: 74

REV: 75

REV: 76

REV: 77

REV: 78

REV: 79

REV: 80

REV: 81

REV: 82

REV: 83

REV: 84

REV: 85

REV: 86

REV: 87

REV: 88

REV: 89

REV: 90

REV: 91

REV: 92

REV: 93

REV: 94

REV: 95

REV: 96

REV: 97

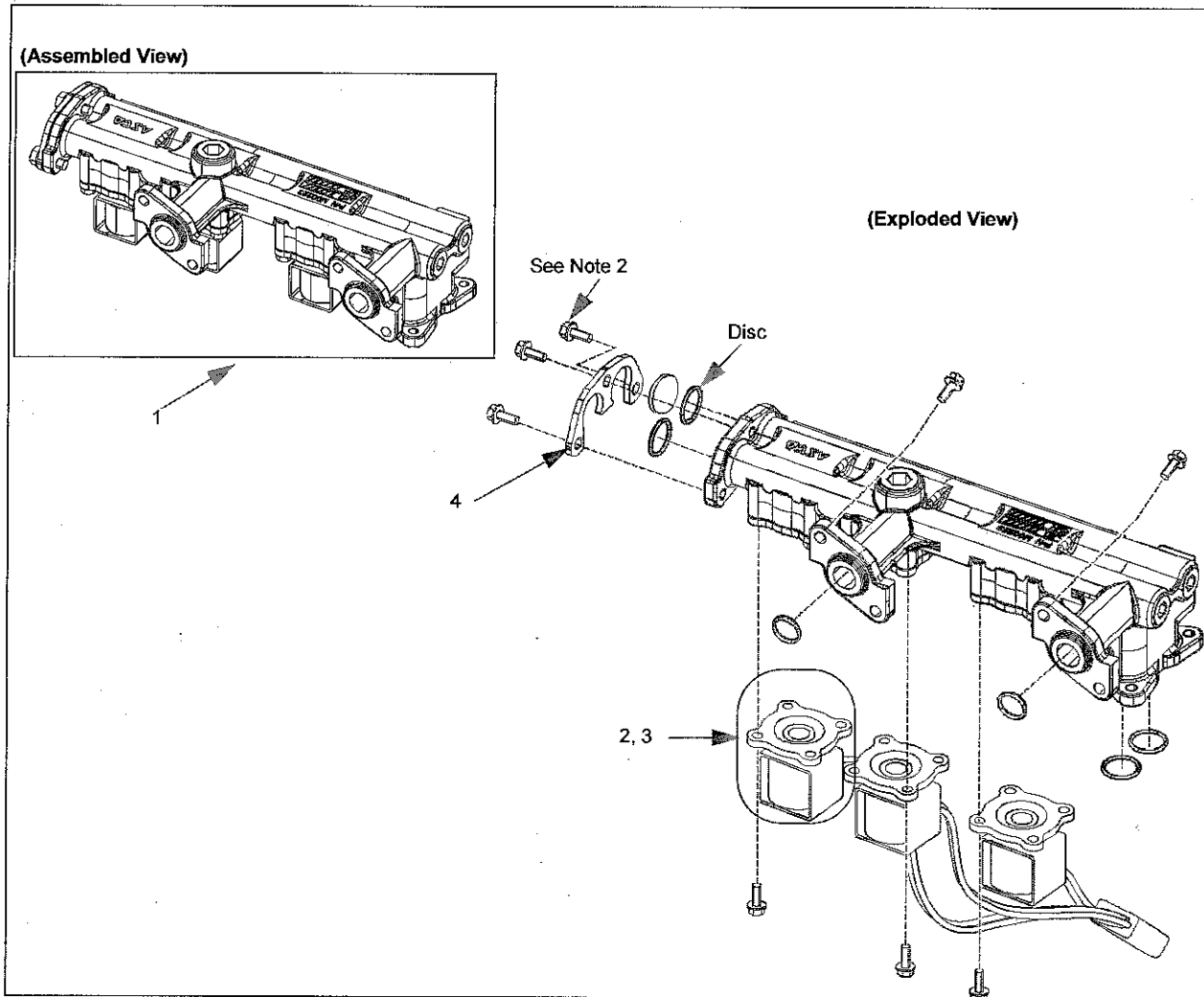
REV: 98

REV: 99

REV: 100

Hydraulic Configurations

Multi Hose Fixed Blender Manifold Assembly

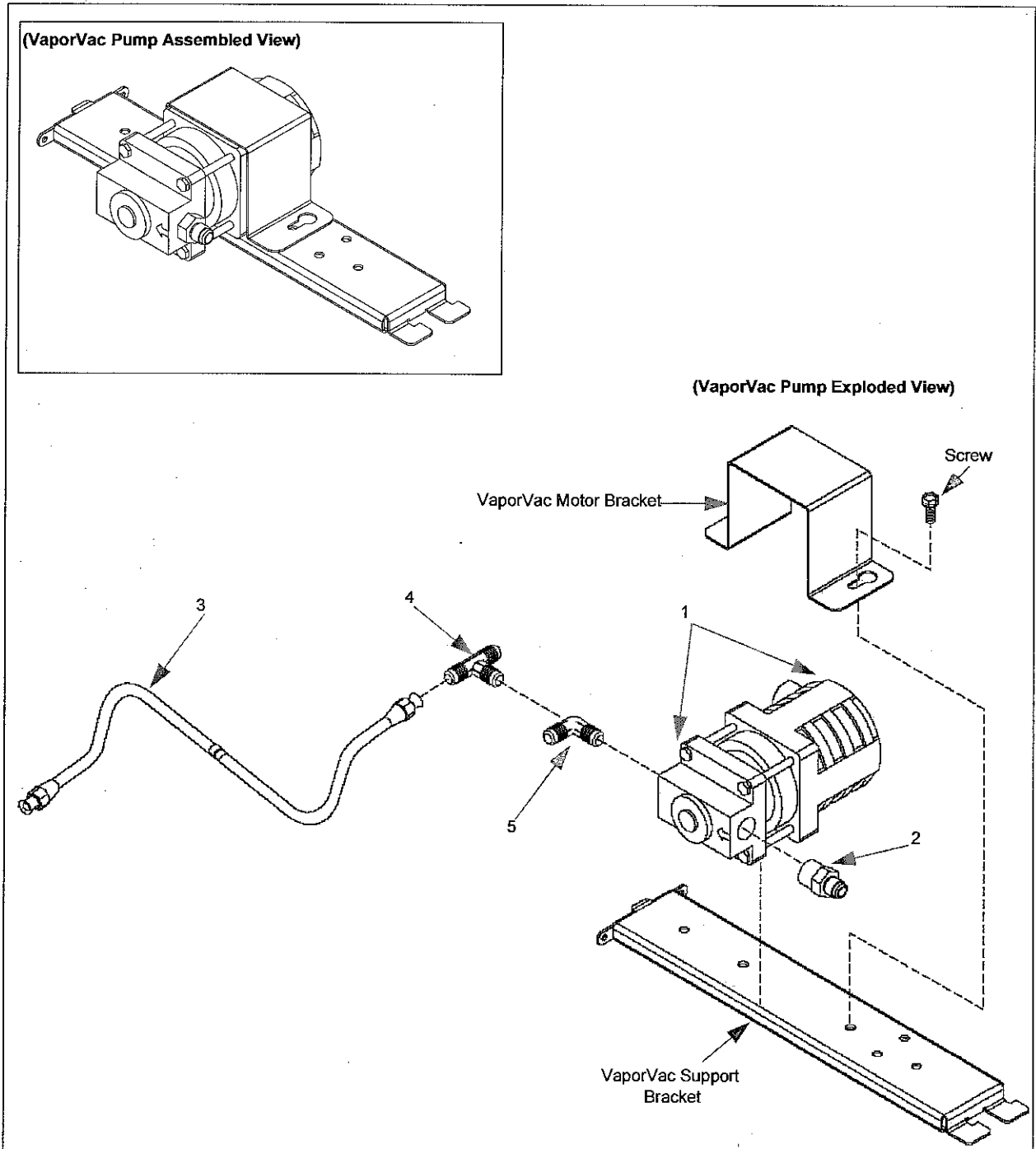


Item #	Description	Current Part	Previous Part	Quantity
1	Multi-Hose Fixed Blender Manifold Assembly	M00223A001	-	1
2	Valve (See Note 1)	M00223B001	-	1 per Kit
3	Coil Assembly (See Note 1)	M00223B002	-	1 per Kit
4	Clamp, Parflange	M00133B001	-	1
	• Screw	-	-	(See Note 2)
	• O-Ring	-	-	(See Note 3)

Notes:

1. In order to replace valve and coil assembly use kit K96642-01 to replace valve (1 per kit) and kit K96643-01 to replace coil assembly (1 per kit). Refer to MDE-3900 Steering Manifold Valve and Valve Coil Replacement Kits for additional information.
2. Use metric hardware kit K96620-01 (includes screws, nuts, bolts) to replace fasteners.
3. Refer to kit K96621-01 and K96621-02 (FF) to replace O-Rings.

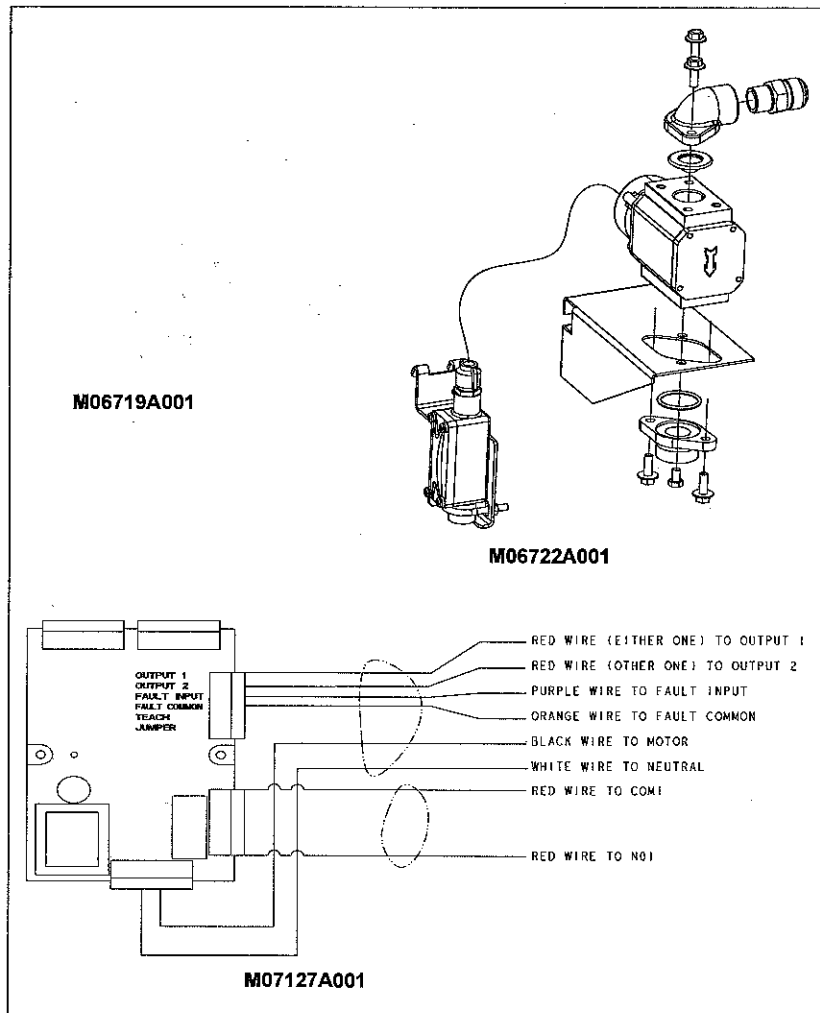
VaporVac Pump Assembly with VaporVac Fittings



Item #	Description	Current Part	Previous Part	Quantity
VaporVac Pump Assembly				
1	VaporVac Pump	R19663-G1	-	1
2	Flare Fitting, Straight 3/4 NPT X 1/2	Q10008-22	-	1

Item #	Description	Current Part	Previous Part	Quantity
3	Vapor Recovery Tube (between Motors) (2-sided Units Only)	M00390A001	-	1
4	Flare/Male Pipe Tee 3/4 NPT (2-sided Units Only)	M00708B001	-	1
5	Elbow 3/4 X 90 Flare/Male	K76203	-	1
-	Vapor Motor Bracket	-	-	1
-	Screw, M5 X 10	-	-	2
-	Vapor Motor Bracket Support	-	-	1

Healy Vapor Pump

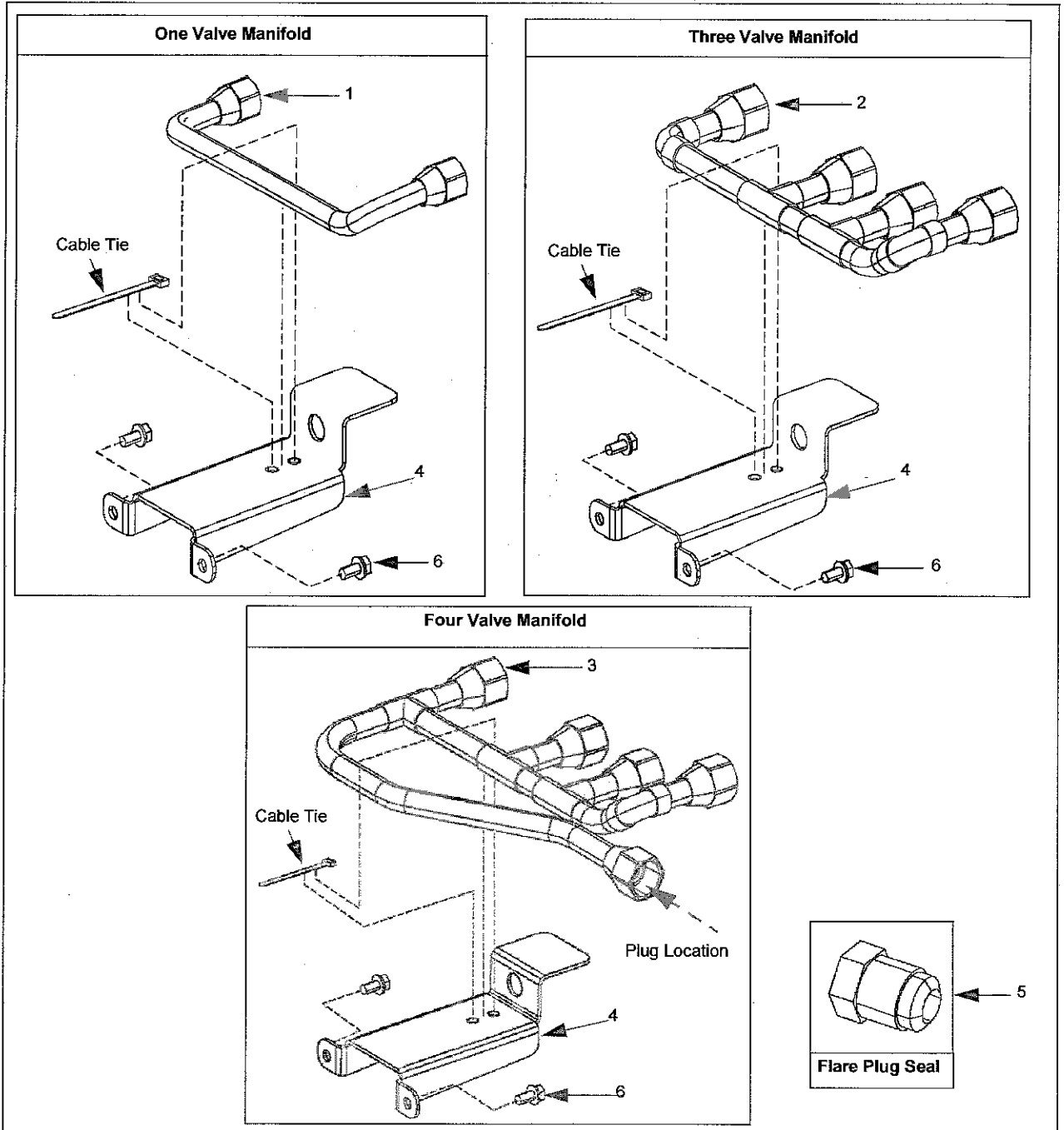


Item #	Description	Current Part	Previous Part	Quantity
1	Assy, Healy Vapor Pump	M06719A001	-	1
2	• Adapter, Pipe Enlarging	M07132B001	-	1
3	• Assy, Flared Tube	M07134A001	-	1
4	• Assy, Healy Main Conduit	M07170A002	-	1
5	• Ball Valve, Brass	M06698B002	M06698B001	1
6	• Bracket, Healy Pump	M06636A001	-	1
7	• Bracket, Healy Pump	M06636A002	-	1
8	• Bracket, Healy Pump	M06881B001	-	1
9	• Bushg Fced Rdc 3/4 X 1/2	K49827	-	2
10	• Bolt Carr 1/4-20 X 3/4 les	K02394-34	-	4
11	• Conduit, Vapor J-Box	M06885B001	-	1
12	• Fittg straight 3/4 Flare	K81023	-	1
13	• Elbow, 90 Deg Street	M05197B002	-	1
14	• Elbow Cndt 1/2 X 90 M and F	K42448	-	2
15	• Pipe Fitting 3/4 X 1/2	K02321-27	-	1
16	• Junction Box Assy	N23269-G4	-	1
17	• Nippl 1/2 X 1-1/8"	N16771-25	-	1
18	• Nut Hex Flg Sertd Lk Fc	Q11890-04	-	4
19	• Nut Hex Flg Ser Lk Fc	Q11890-05	-	1
20	• Nut, Metric M8 Serrated	M00414B003	-	4
21	• Tape Pipe Joint Sealer	470199000	-	0
22	• Union Cndt M and F 1/2	Q10016-04	-	1
23	• Conn Wire Nut 74b Yellow	M07125B001	-	1
24	• Washr Cup Grn Scr #6-10 X 9	K44293	-	6
25	• Screw Tpt Hex Wash Hd 10	Q11097-01	-	1
26	• Washr Lk Ext Th #10 X 0.022	K85736-05	-	1
27	• Healy Vapor Pump	K50866	-	1
28	Assy, ISD Flow Meter	M06722A001	-	1
29	• 1/2" Cord Grip	Q13274 -019	-	1
30	• Bolt Hex Hd 5/16-18 X 1/2	K49232	-	2
31	• Bracket, Encore	M03205B001	-	1
32	• Bracket, ISD Meter	M06635B001	-	1
33	• Adapter, Vapor Meter	M07096B011	-	1
34	• Fittg Straight 3/4 Flare	K81023	-	1
35	• Flange, Tube	M04040B010	-	1
36	• Flowmeter, ISD	M03730B001	-	1
37	• Nut Hex Flg Sertd Lk Fc	Q11890-04	-	2
38	• Ring O 1-1/2 X 1-3/4 X 1/8	Q10068-13	-	1
39	• Unit Pwr Ln. 1/2 Type Erc	K72943	-	1

Item #	Description	Current Part	Previous Part	Quantity
40	• Screen, Filter, ISD	M03845B001	-	1
41	• Screw Hx Hd F-sr lf 5/16	Q11889-15	-	4
42	• Tape Pipe Joint Sealer	470199000	-	0
43	• Bolt U 1/4-20 X 1.5	K67996-02	-	1
44	Assy, Interface Module	M07127A001	-	1
45	• Interface Module, Healy	M07126B001	-	1
46	• Cable, Healy Motor	M07198A001	-	1
47	• Cable, Adaptor V/r	M06890A001	-	1

One, Three, and Four Valve Manifold

For Units with Vapor Valves

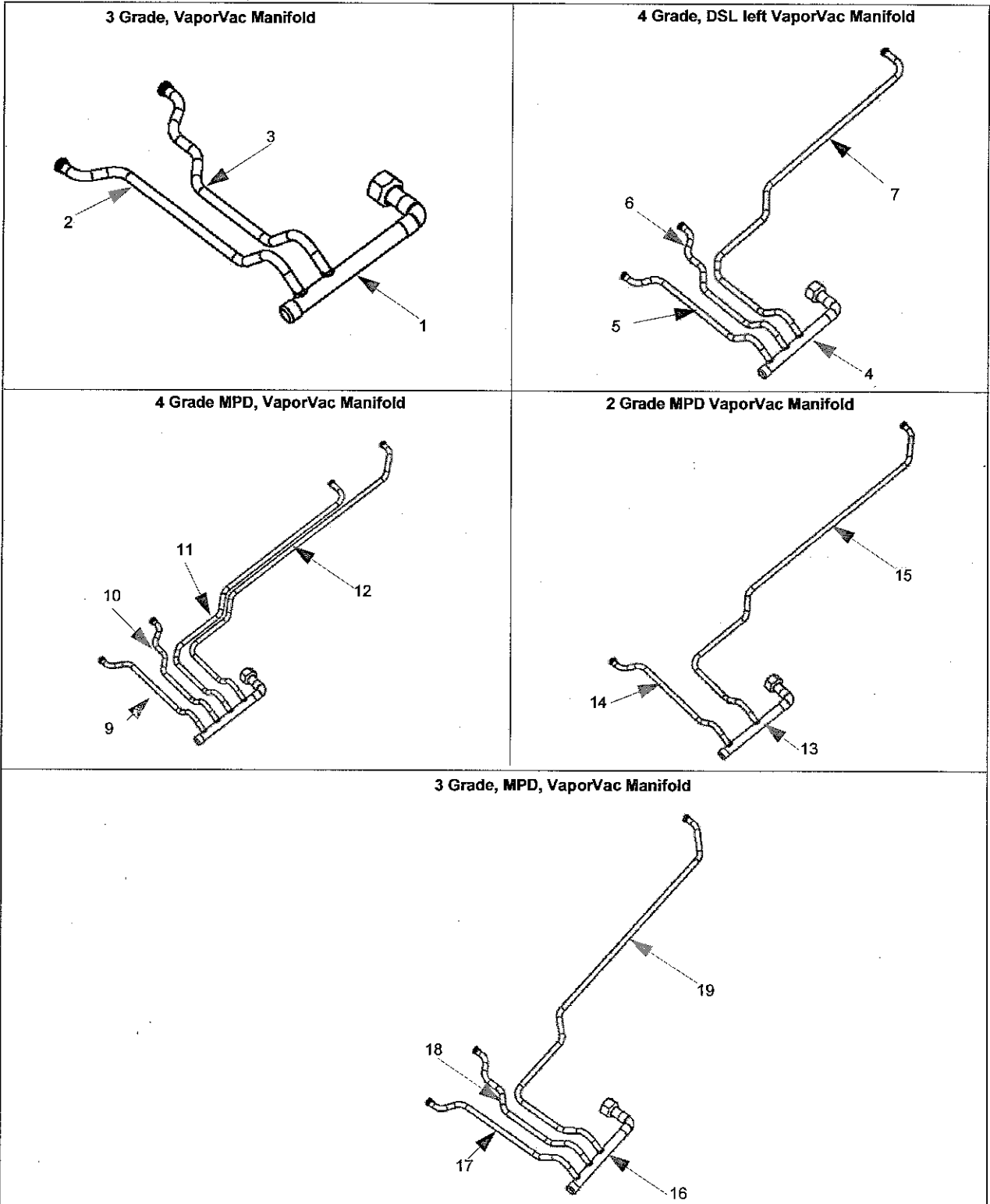


Item #	Description	Current Part	Previous Part	Quantity
1	Vapor Recovery Tube (1 Valve Manifold)	M01443A001	-	1
2	Vapor Recovery Tube (3 Valve Manifold)	M00379A001	-	1
3	Vapor Recovery Tube (4 Valve Manifold)	M00381A001	-	1
4	• VaporVac Bracket (See Note)	-	-	1
5	• Flare Plug Seal (See Note)	-	-	1
6	• Screw, M5 X 10 (See Note)	-	-	2

Note: Parts not available separately.

VaporVac Manifold

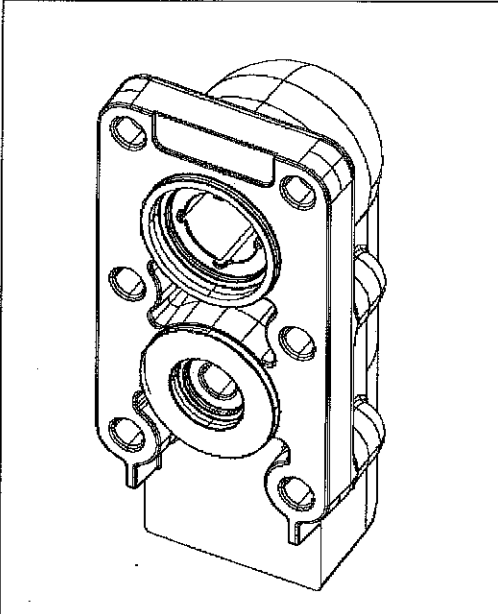
For Units less Vapor Valves



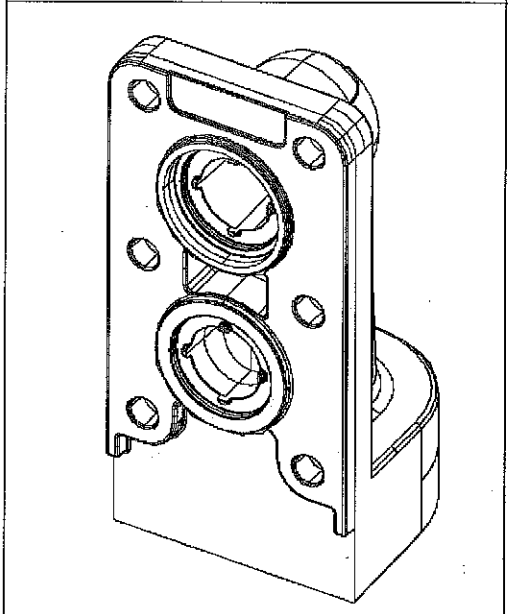
Item #	Description	Current Part	Previous Part	Quantity
VaporVac Manifold Assembly, 3 Grade MPD, DSL left		M02215A001	-	1
1	• VaporVac Manifold Tube	M02216B001	-	1
2	• VaporVac Hose Tubing "A"	M02217A001	-	1
3	• VaporVac Hose Tubing "B"	M02218A001	-	1
VaporVac Manifold Assembly, 4 Grade MPD, DSL left		M02215A002	-	1
4	• VaporVac Manifold Tube	M02216B002	-	
5	• VaporVac Hose Tubing "A"	M02217A001	-	1
6	• VaporVac Hose Tubing "B"	M02218A001	-	1
7	• VaporVac Hose Tubing "C"	M02219A001	-	1
VaporVac Manifold Assembly, 4 Grade MPD		M02215A003	-	1
8	• VaporVac Manifold Tube	M02216B003	-	1
9	• VaporVac Hose Tubing "A"	M02217A001	-	1
10	• VaporVac Hose Tubing "B"	M02218A001	-	1
11	• VaporVac Hose Tubing "C"	M02219A001	-	1
12	• VaporVac Hose Tubing "D"	M02220A001	-	1
VaporVac Manifold Assembly, 2 Grade MPD		M02215A004	-	1
13	• VaporVac Manifold Tube	M02216B004	-	1
14	• VaporVac Hose Tubing "A"	M02217A001	-	1
15	• VaporVac Hose Tubing "D"	M02801A001	-	1
VaporVac Manifold Assembly, 3 Grade		M02215A005	-	1
16	• VaporVac Manifold Tube	M02216B002	-	1
17	• VaporVac Hose Tubing "A"	M02217A001	-	1
18	• VaporVac Hose Tubing "B"	M02218A001	-	1
19	• VaporVac Hose Tubing "D"	M02801A001	-	1

Hose Outlet Casting and Fitting

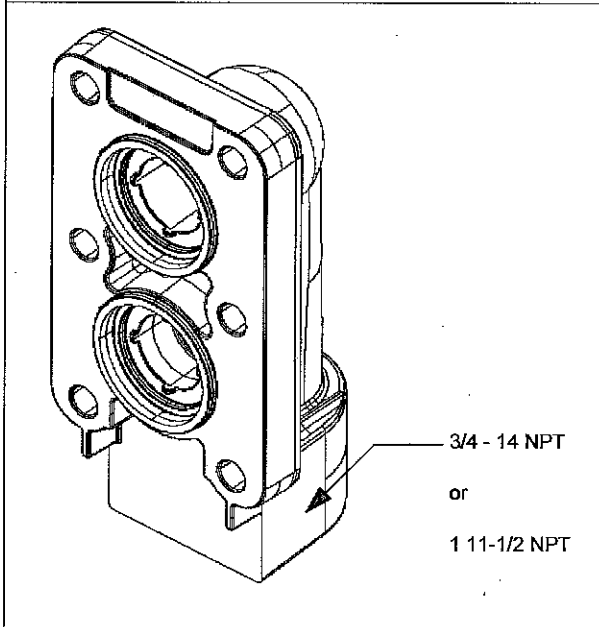
1. Hose Outlet Casting (VaporVac)



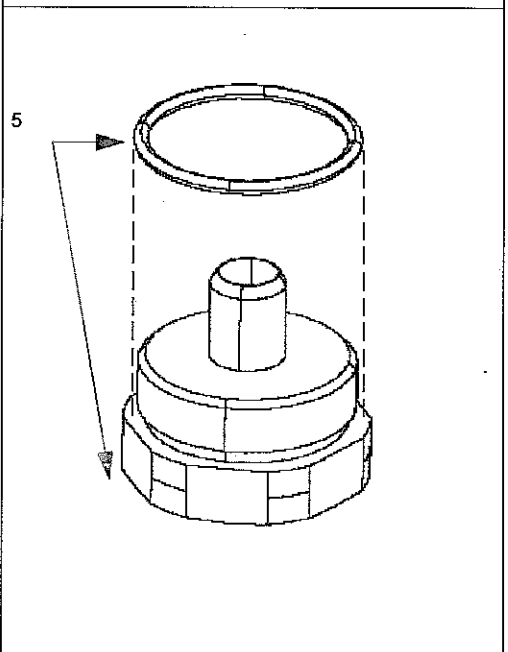
2. Hose Outlet Casting (Balanced)



3. Hose Outlet Casting (Non Vapor)

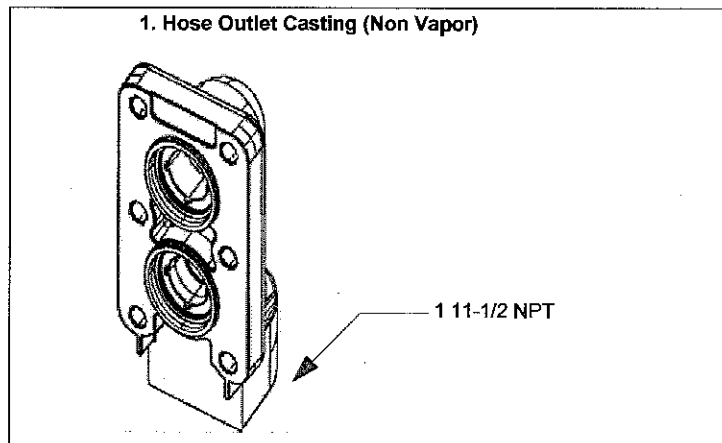


4. Coaxial Fitting Adapter



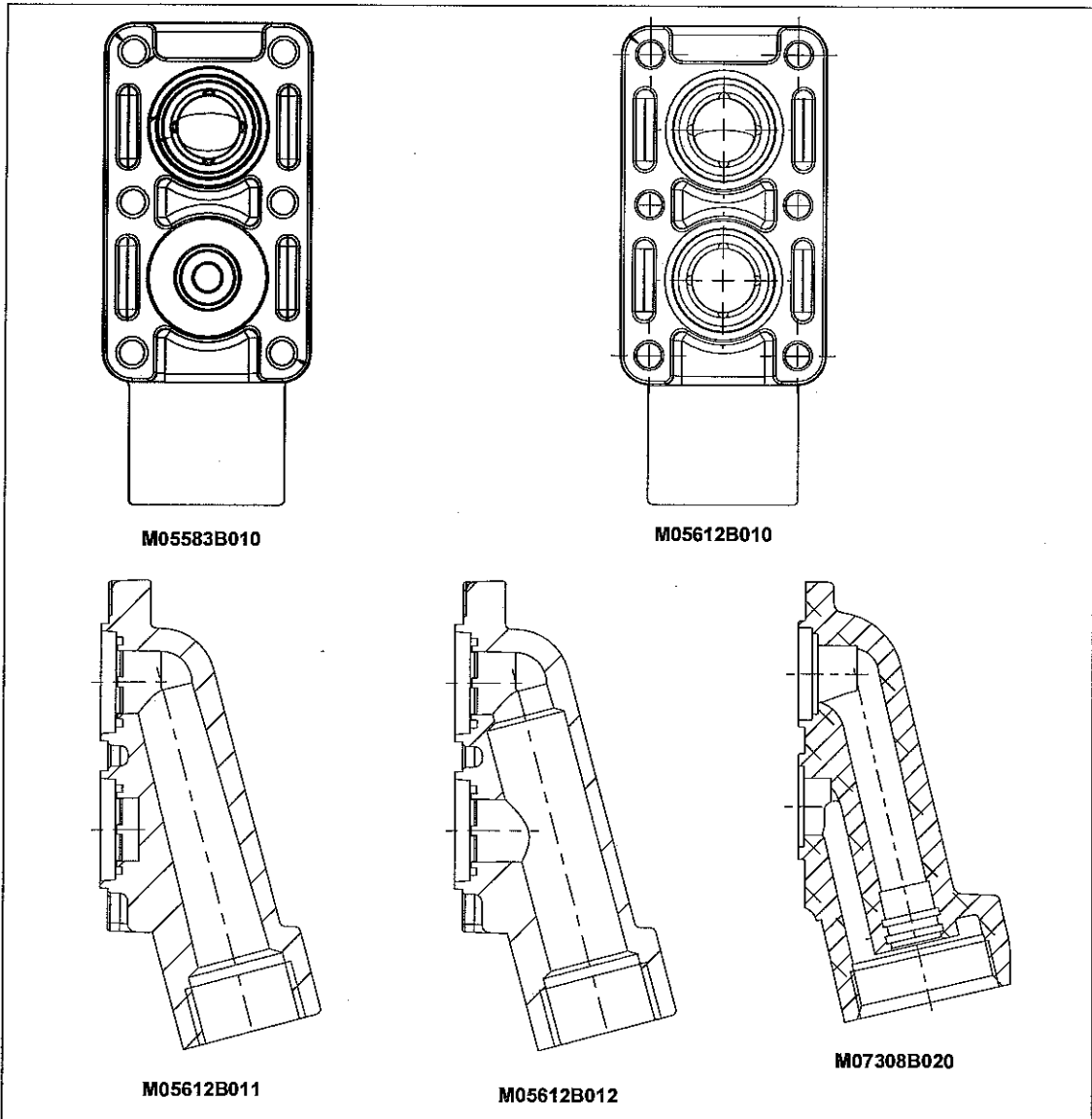
Item #	Description	Current Part	Previous Part	Quantity
Hose Outlet Casting				
1	Hose Outlet Casting, VaporVac	M00163B010	-	1
	Hose Outlet Casting, VaporVac (Flexible Fuels)	M00163B030	-	1
2	Hose Outlet Casting, Balanced	M00162B010	-	1
	Hose Outlet Casting, Balanced (Flexible Fuels)	M00162B030	-	1
3	Hose Outlet Casting, Non Vapor 3/4 -14 NPT	M00164B010	-	1
	Hose Outlet Casting, Non Vapor 3/4 -14 NPT (Flexible Fuels)	M00164B030	-	1
	Hose Outlet Casting, Non Vapor 1 11-1/2 NPT	M00164B011	-	1
	Hose Outlet Casting, Non Vapor 1 11-1/2 npt (Flexible Fuels)	M00164B031	-	1
4	Coaxial Adapter Fitting	N22963-01	-	1
5	O-Ring, 1.956 X 1.720	-	-	1
-	O-Ring, 11/16 X 0.13 X 0.10 (See Note 1) (Used on Balanced Casting Item 2 Only) (Not Shown)	-	-	1
-	O-Ring, 0.862 X 0.103 X 0.10 (See Note 1) (Not Shown)	-	-	1
-	O-Ring, 0.424 X 0.103 X 0.10 (See Note 1) (Used on VaporVac Casting Item 1 Only) (Not Shown)	-	-	1
-	Screw, Metric M8 X 20 (See Note 2) (Not Shown)	-	-	4
Notes: 1. O-Rings may be found in seal and gasket kit K96621-01 and K96621-02 (FF). 2. Screws may be found in metric kit K96620-01.				

Hose Outlet Casting and Fitting (Ultra-Hi only)



Item #	Description	Current Part	Quantity
Hose Outlet Casting (Ultra-Hi only)			
1	Hose Outlet Casting (Non Vapor recovery)	M00164B012	1 per Single / 2 Dual and Combo
	Hose Outlet Casting (Non Vapor recovery) (Flexible Fuels)	M00164B032	1 per Single / 2 Dual and Combo
-	O-Ring 0.862 X 0.103 X 0.10 (See Note) (Not Shown)	-	2
Note: O-Rings may be found in seal and gasket kit K96621-01.			

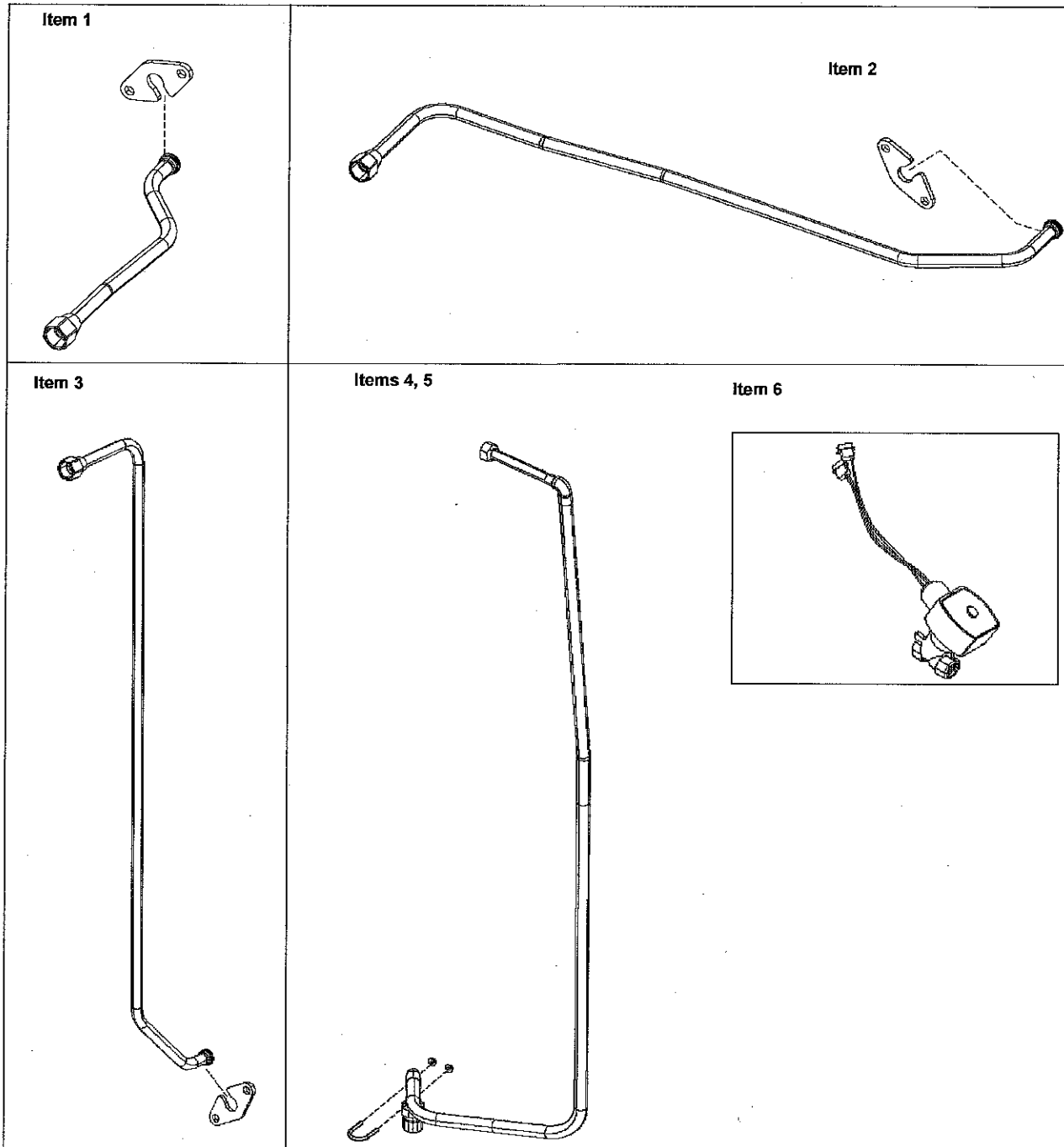
Hose Outlet Casting and Fitting (Encore S Series)



Description	Current Part	Previous Part	Quantity
Hose Outlet Casting			
Angled Hose Outlet Casting, VaporVac - Machined	M05583B010	-	1
Angled Hose Outlet Casting, VaporVac - Machined (Flexible Fuels)	M05583B030	-	1
Angled Hose Outlet Casting, 3/4 NPT - Machined	M05612B010	M06320B010	1
Angled Hose Outlet Casting, 3/4 NPT - Machined (Flexible Fuels)	M05612B030	-	
Angled Hose Outlet Casting, 1" NPT - Machined	M05612B011	M06320B011	
Angled Hose Outlet Casting, 1" NPT - Machined (Flexible Fuels)	M05612B031	-	
Angled Hose Outlet Casting, 1" NPT - Machined	M05612B012	M06320B012	
Angled Hose Outlet Casting, 1" NPT - Machined (Flexible Fuels)	M05612B032	-	
Angled Hose Outlet Casting, Balance Vapor and Healy Vapor	M07308B020	-	1
Angled Hose Outlet Casting, Balanced (Flexible Fuels)	M07382B030	-	1

Vapor Recovery Tubes

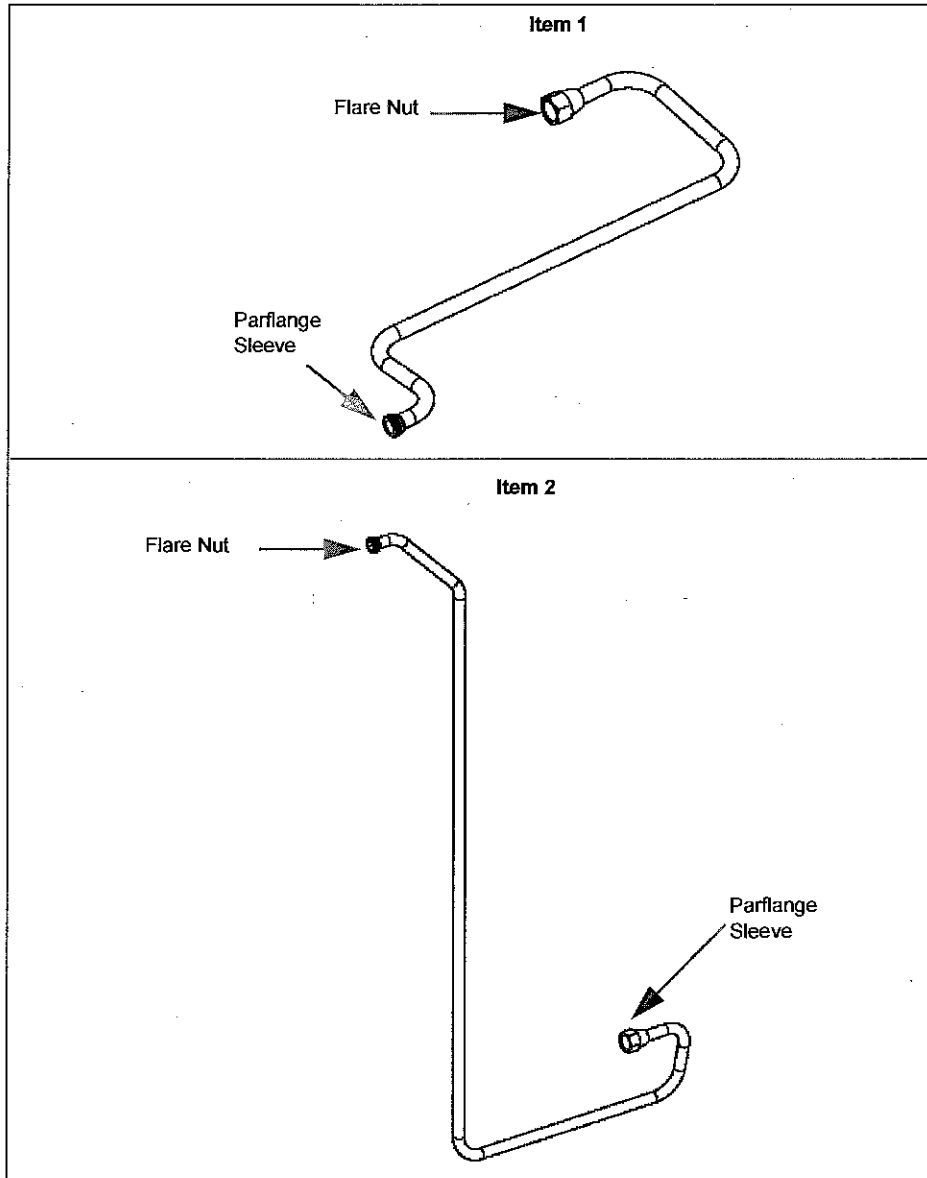
Note: Items 1, 2, 3, and 6 are for units with Vapor Valves.



Item #	Description	Current Part	Previous Part	Quantity
VaporVac Tubes				
1	Vapor Recovery Tube, Short (Valve to Casting)	-	M00382A001	(See Note)
2	Vapor Recovery Tube	M00383A001	-	(See Note)
3	Vapor Recovery Tube, Blender (Valve to Casting)	-	M00386A001	(See Note)
4	Vapor Recovery Tube (Dispensers)	M02585A001	M00388A001	(See Note)
5	Vapor Recovery Tube (Pump)	M02610A001	M00388A002	(See Note)
6	Vapor Valve (Solenoid)	T17909	-	(See Note)
<i>Note: Quantity varies per unit.</i>				

Vapor Recovery Tube

For Units without Vapor Valves



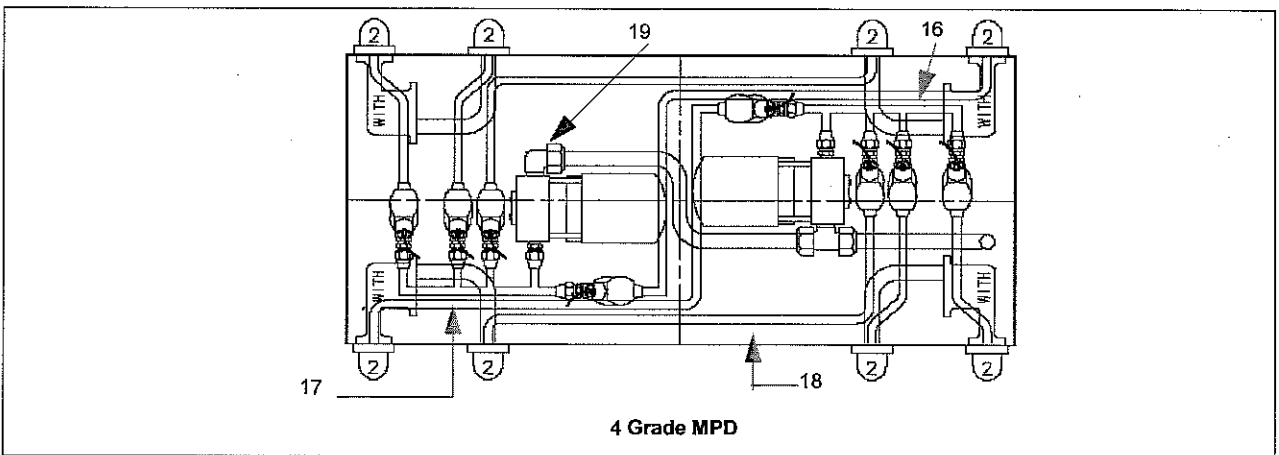
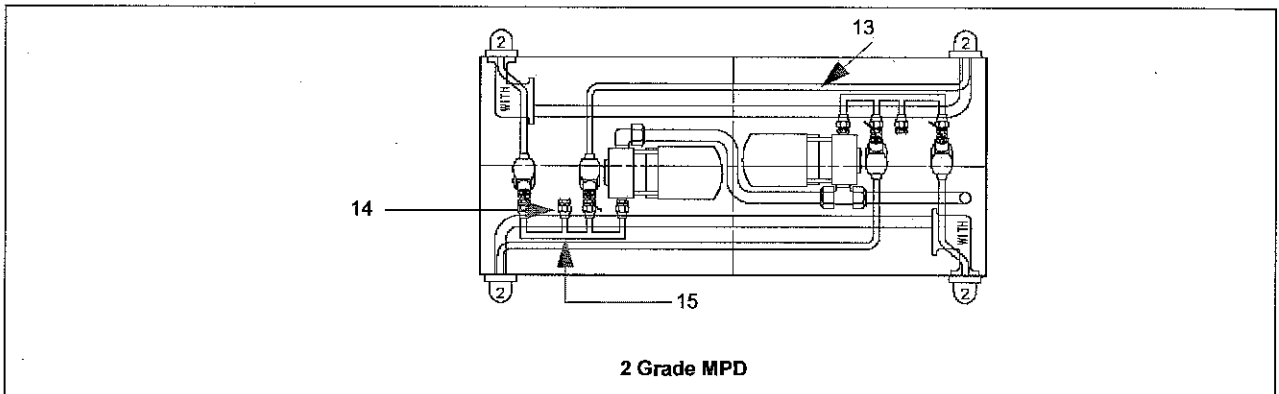
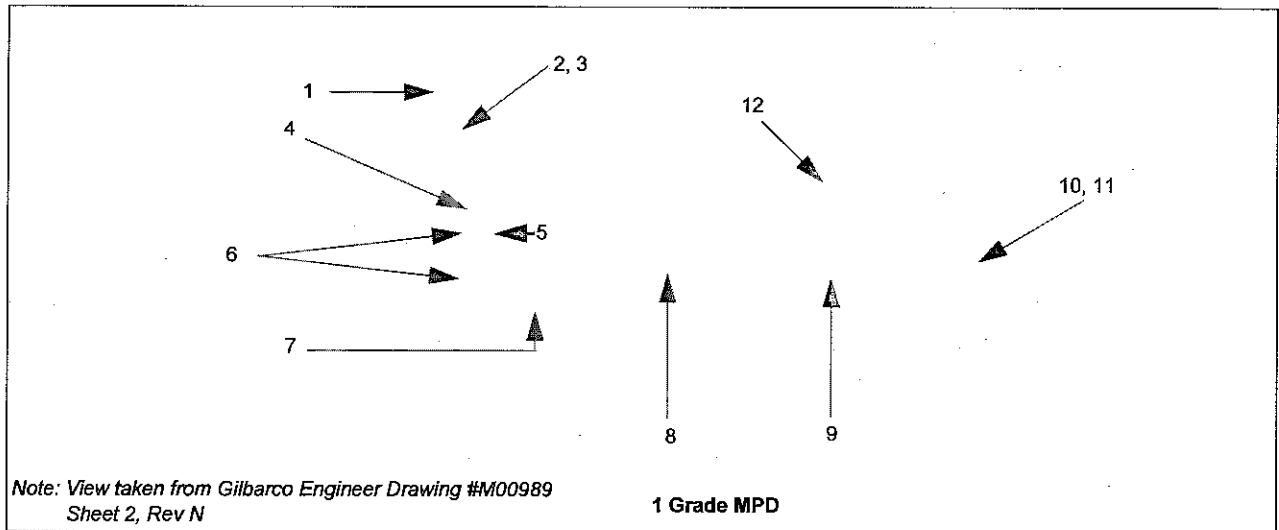
Item #	Description	Current Part	Previous Part	Quantity
1	VaporVac Tubing (Hose to VaporVac Pump) (1 Grade)	M02173A001	-	(See Note 1)
2	VaporVac Extended Reach Tubing	M02221A001	-	(See Note 1)
3	Flare Nut 1/2-inch Tube (See Note 2)	-	-	1
4	Parflange Sleeve 1/2-inch Tubing (See Note 2)	-	-	1

Notes:

- 1. Quantity varies per unit.
- 2. Parts not available separately.

Upper Hydraulics Housing Assembly (VaporVac)

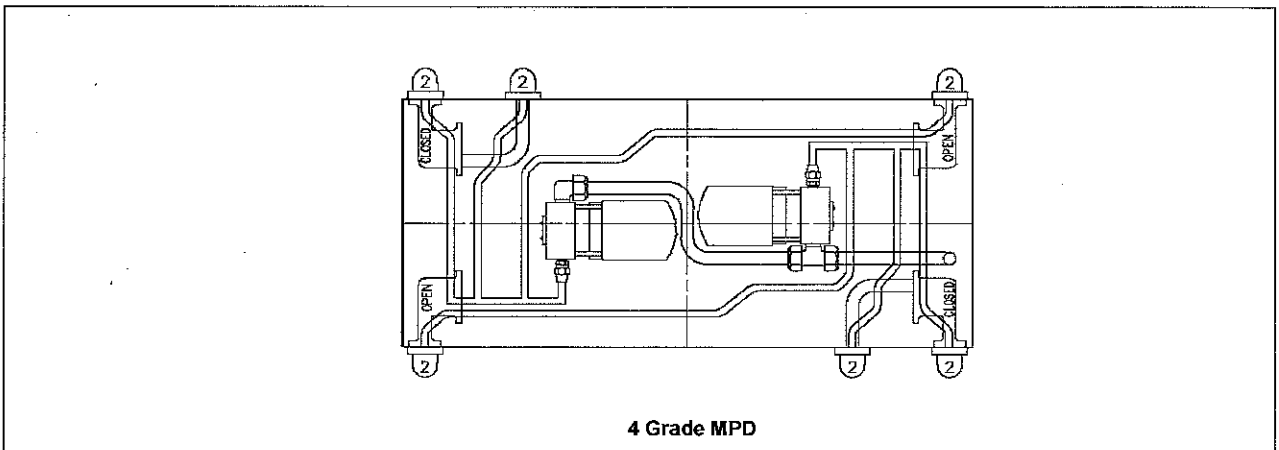
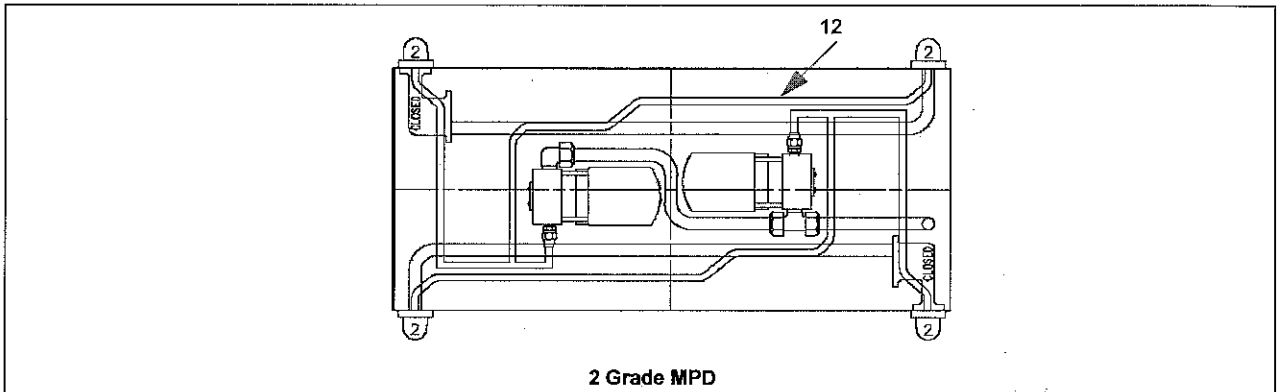
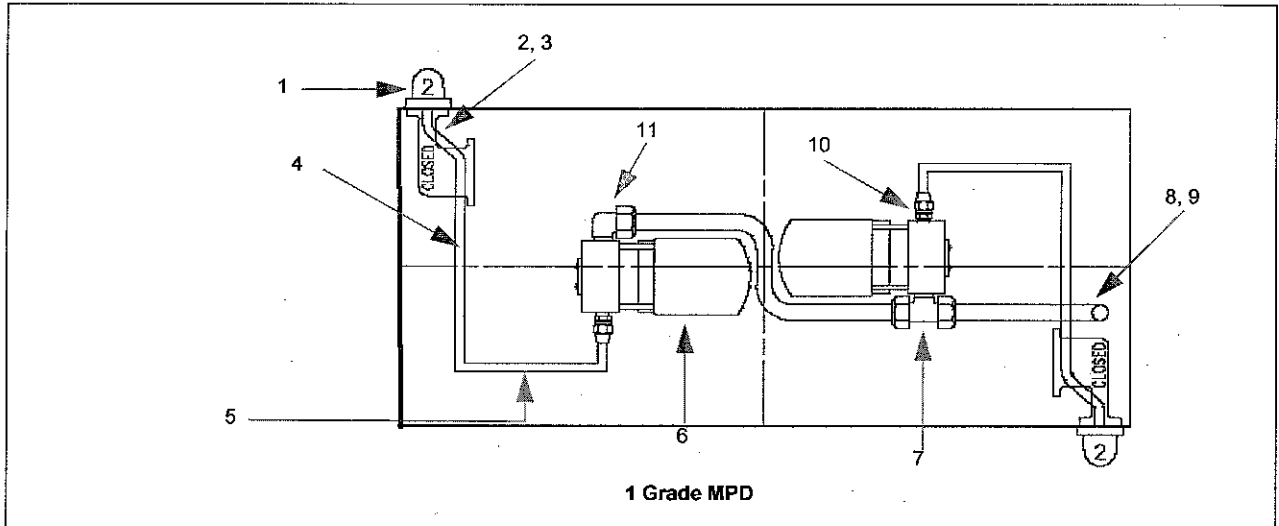
For Units with Vapor Valves



Item #	Description	Current Part	Previous Part	Quantity
Upper Hydraulics (VaporVac) with Vapor Valves				
1	Hose Outlet Fitting (VaporVac)	M00163B010	-	2
	Hose Outlet Fitting (VaporVac) (Flexible Fuels)	M00163B030	-	2
2	O-Ring, 0.862 X 0.103 X 0.103 (Fuel Connection) (Flexible Fuels)	Q12974-118	N16891-32	4
	O-Ring, 0.862 X 0.103 X 0.103 (Fuel Connection)	Q12974-118	N16891-32	4
3	O-Ring, 0.424 X 0.103 X 0.103 (Vapor Connection)	N16891-34	-	4
4	Vapor Recovery Tube, Short (Valve to Casting)	-	M00382A001	2
5	Solenoid Vapor Valve	T17909	-	2
6	Flare Fitting, Straight 1/2	Q10008-21	-	4
7	Single Valve Vapor Inlet Line	M01443A001	-	2
8	Vapor Pump 1 Motor with Connect	R19663-G1	-	2
9	Flare/Male Pipe Tee, 3/4 NPT	M00708B001	-	1
10	Vapor Recovery Tube (Dispensers)	M02585A001	M00388A001	1
11	Vapor Recovery Tube (Pump)	M02610A001	M00388A002	2
12	Flare Fitting, Straight 3/4 NPT X 1/2	Q10008-22	-	2
13	Vapor Recovery Tube, Blender (Valve to Casting)	-	M00386A001	1
14	Flare Plug Seal	Q12890-01	-	1
15	Vapor Recovery Tube (3 Valve Manifold)	M00379A001	-	(See Note)
16	Vapor Recovery Tube (4 Valve Manifold)	M00381A001	-	(See Note)
17	Vapor Inlet Line (Valve to Casting - 4th Valve)	M00384A001	-	(See Note)
18	Vapor Recovery Tube (Valve to Casting)	M00383A001	-	(See Note)
19	Elbow Fitting 3/4 X 90 Flare/Male	K76203	-	1
<i>Note: Quantity is determined by type of unit.</i>				

Upper Hydraulics Housing Assembly (VaporVac)

For Units without Vapor Valves



Item #	Description	Current Part	Previous Part	Quantity
Upper Hydraulics (VaporVac) less Vapor Valves				
1	Hose Outlet Fitting (VaporVac)	M00163B010	-	2
	Hose Outlet Fitting (VaporVac) (Flexible Fuels)	M00163B030	-	2
2	O-Ring, 0.862 X 0.103 X 0.103 (Fuel Connection)	Q12974-118	N16891-32	4
	O-Ring, 0.862 X 0.103 X 0.103 (Fuel Connection) (Flexible Fuels)	Q12974-118	N16891-32	4
3	O-Ring, 0.424 X 0.103 X 0.103 (Vapor Connection)	N16891-34	-	4
4	Vapor Recovery Tube, Short (Valve to Casting)	-	M00382A001	2
5	Single Valve Vapor Inlet Line	M01443A001	-	2
6	Vapor Pump 1 Motor with Connect	R19663-G1	-	2
7	Flare/Male Pipe Tee, 3/4 NPT	M00708B001	-	1
8	Vapor Recovery Tube (Dispensers)	M02585A001	M00388A001	1
9	Vapor Recovery Tube (Pump)	M02610A001	M02610A002	2
10	Flare Fitting, Straight 3/4 NPT X 1/2	Q10008-22	-	2
11	Elbow Fitting 3/4 X 90 Flare/Male	K76203	-	1
12	Vapor Recovery Tube, Blender (Valve to Casting)	-	M00386A001	1
<i>Note: Quantity is determined by type of unit.</i>				

Upper Hydraulics Configurations (Reference Page)

For Units with Vapor Valves

See page 11-35 to view parts shown on 1 Grade, 2 Grade, and 4 Grade MPD units.

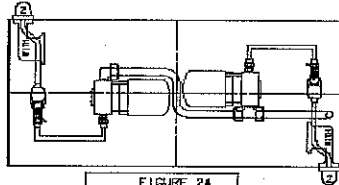





FIGURE 2A
MODEL NO. NA0/NC0
1 GRADE MPD

HOSE OUTLET CODE:
 = NON VAPOR HOSE OUTLET
 = VAPOR VAC HOSE OUTLET
 = BALANCE VAPOR HOSE OUTLET

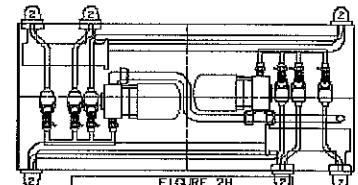


FIGURE 2H
MODEL NO. NJ0/NJ1
3 GRADE MULTI HOSE BLENDER

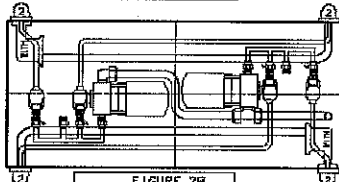


FIGURE 2B
MODEL NO. NA1/NC1
2 GRADE MPD

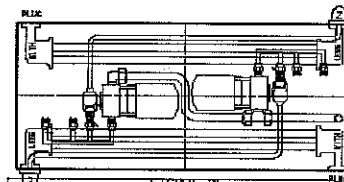


FIGURE 2E
MODEL NO. NG0/NG2
3 GRADE SINGLE HOSE MPD - DISCHARGE LEFT

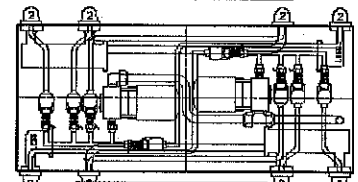


FIGURE 2J
MODEL NO. NJ2/NJ3
3+1 MULTI HOSE BLENDER

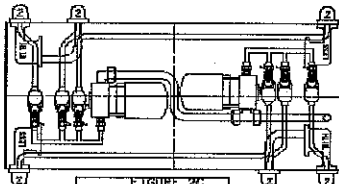


FIGURE 2C
MODEL NO. NA2/NC2
3 GRADE MPD

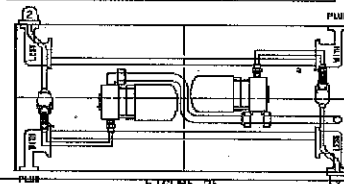


FIGURE 2I
MODEL NO. NG0/NC2
3 GRADE SINGLE HOSE MPD - DISCHARGE RIGHT

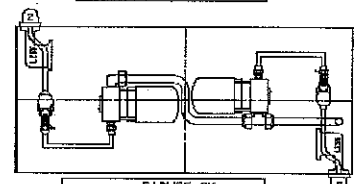


FIGURE 2K
MODEL NO. NN0-7
K+0 SELECTABLE BLENDER
MODEL NO. NG4/NG5
2 GRADE SINGLE HOSE MPD

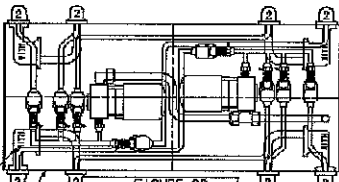


FIGURE 2D
MODEL NO. NA3/NC3
4 GRADE MPD

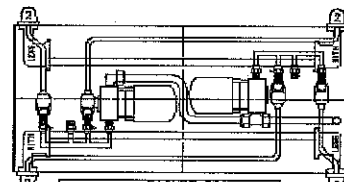


FIGURE 2G
MODEL NO. NG1/NG3
3+1 GRADE SINGLE HOSE MPD

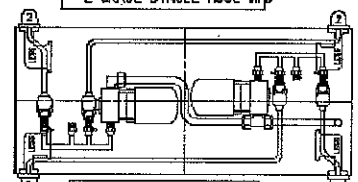


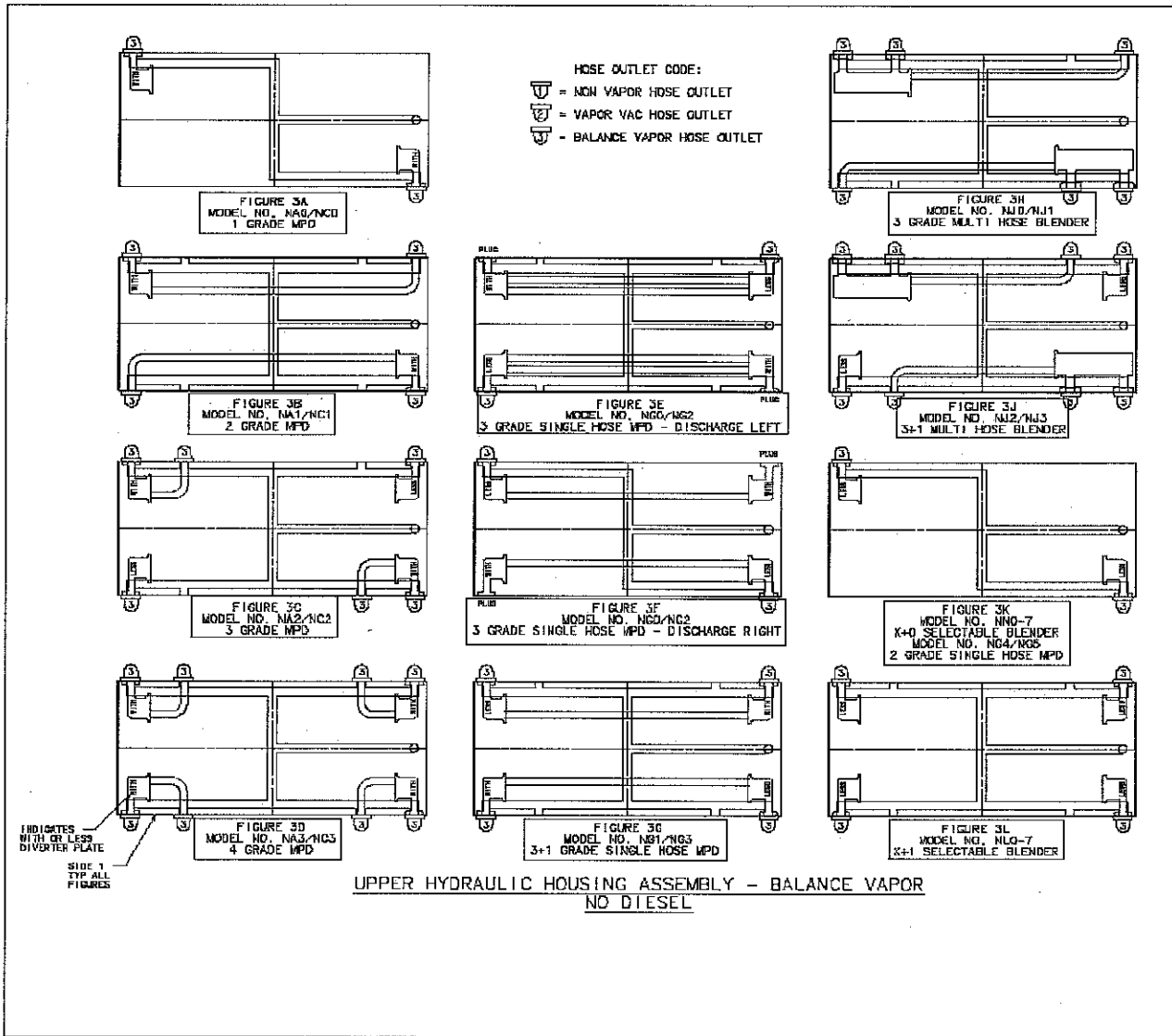
FIGURE 2L
MODEL NO. NL0-7
X+1 SELECTABLE BLENDER

INDICATES
WITH OR LESS
DIVERTER PLATE
SIDE 1
TYP ALL
FIGURES

UPPER HYDRAULIC HOUSING ASSEMBLY - VAPOR VAC
NO DTESEL

Note: Refer to Gilbarco Engineering Drawing #M00989 Sheet 2, Rev C.

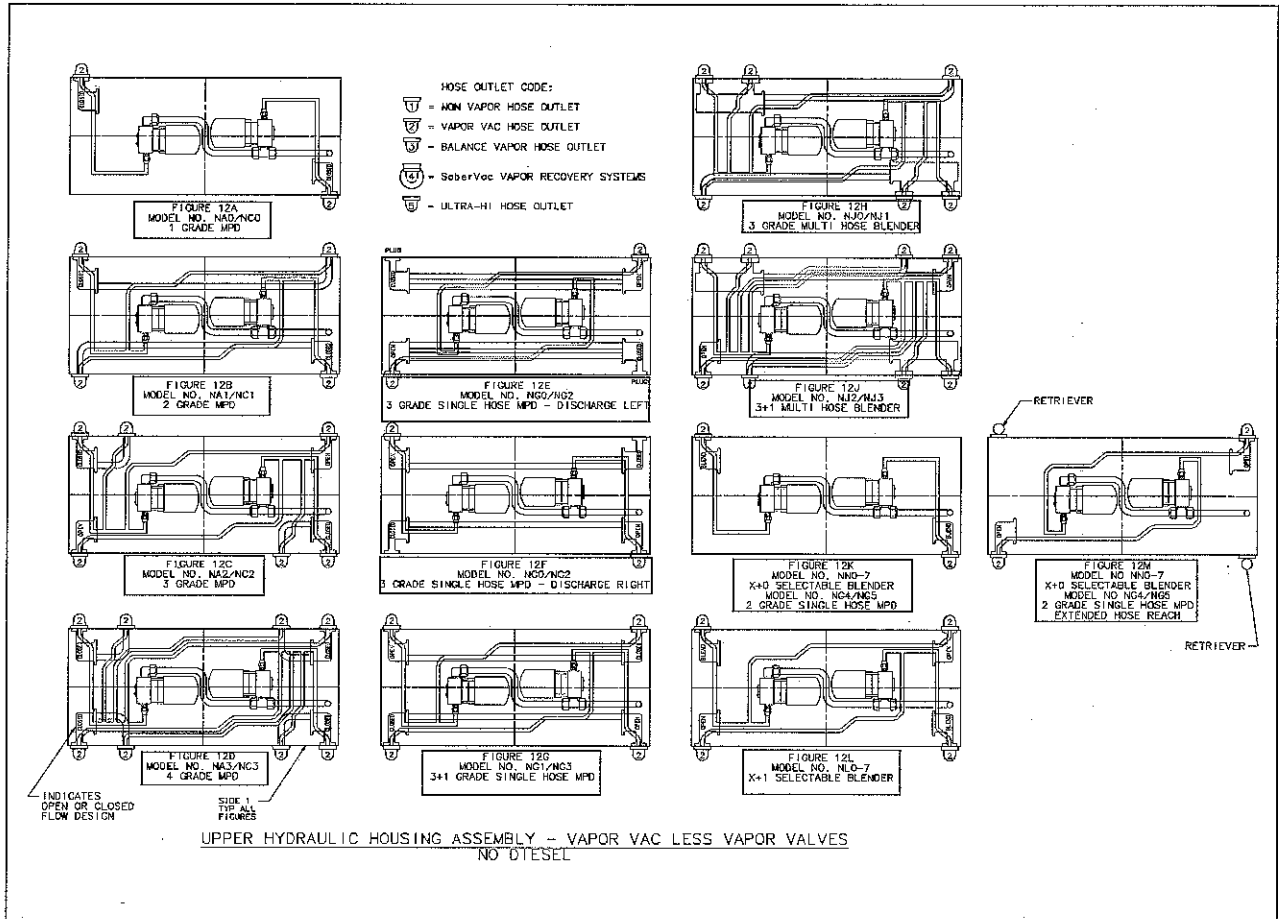
Upper Hydraulics Configurations - (Balance Vapor) (Reference Page)



Note: Refer to Gilbarco Engineering Drawing #M00989 Sheet 2, Rev C.

Upper Hydraulics Configurations - (Reference Page)

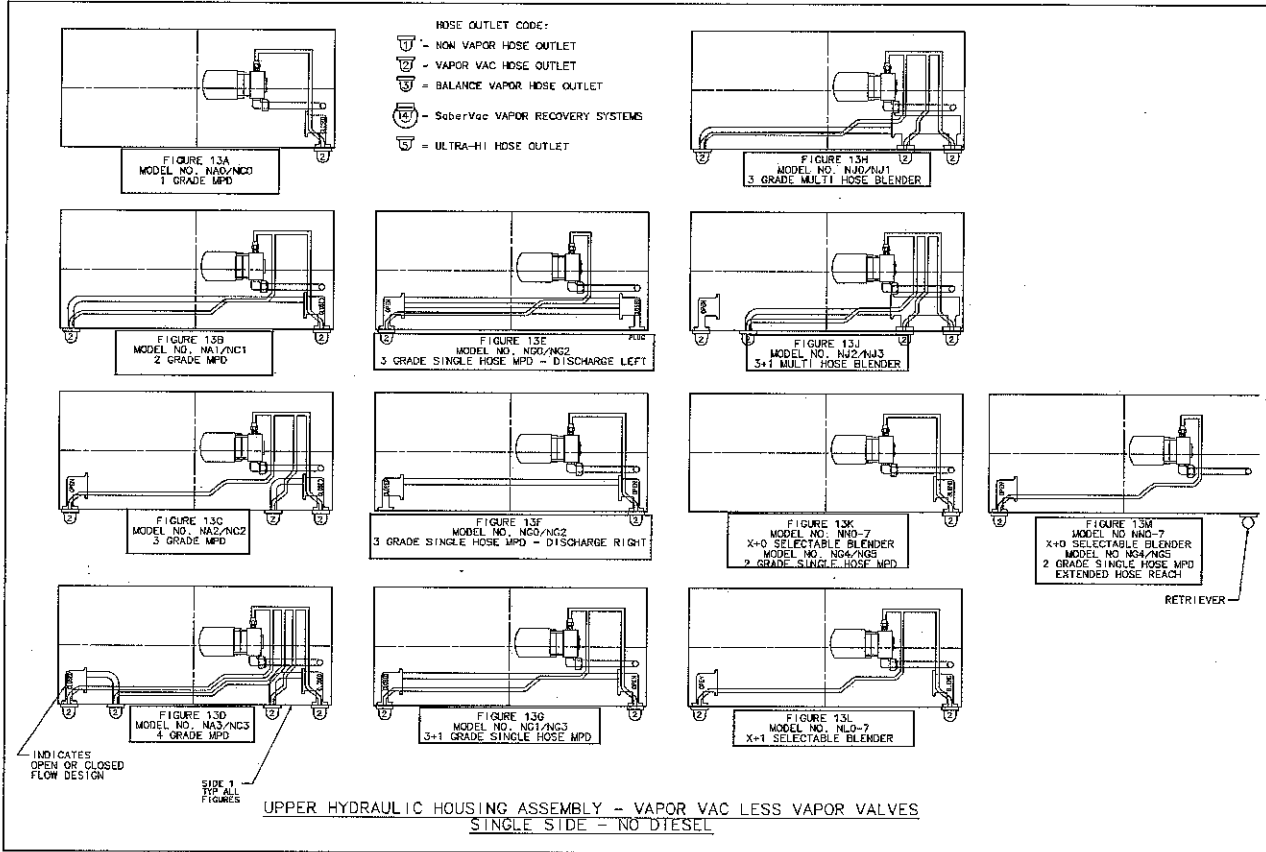
For units with VaporVac less Vapor Valves (No diesel)



Note: Refer to Gilbarco Engineering Drawing #M00989 Sheet 12, Rev J.

Upper Hydraulics Configurations - (Reference Page)

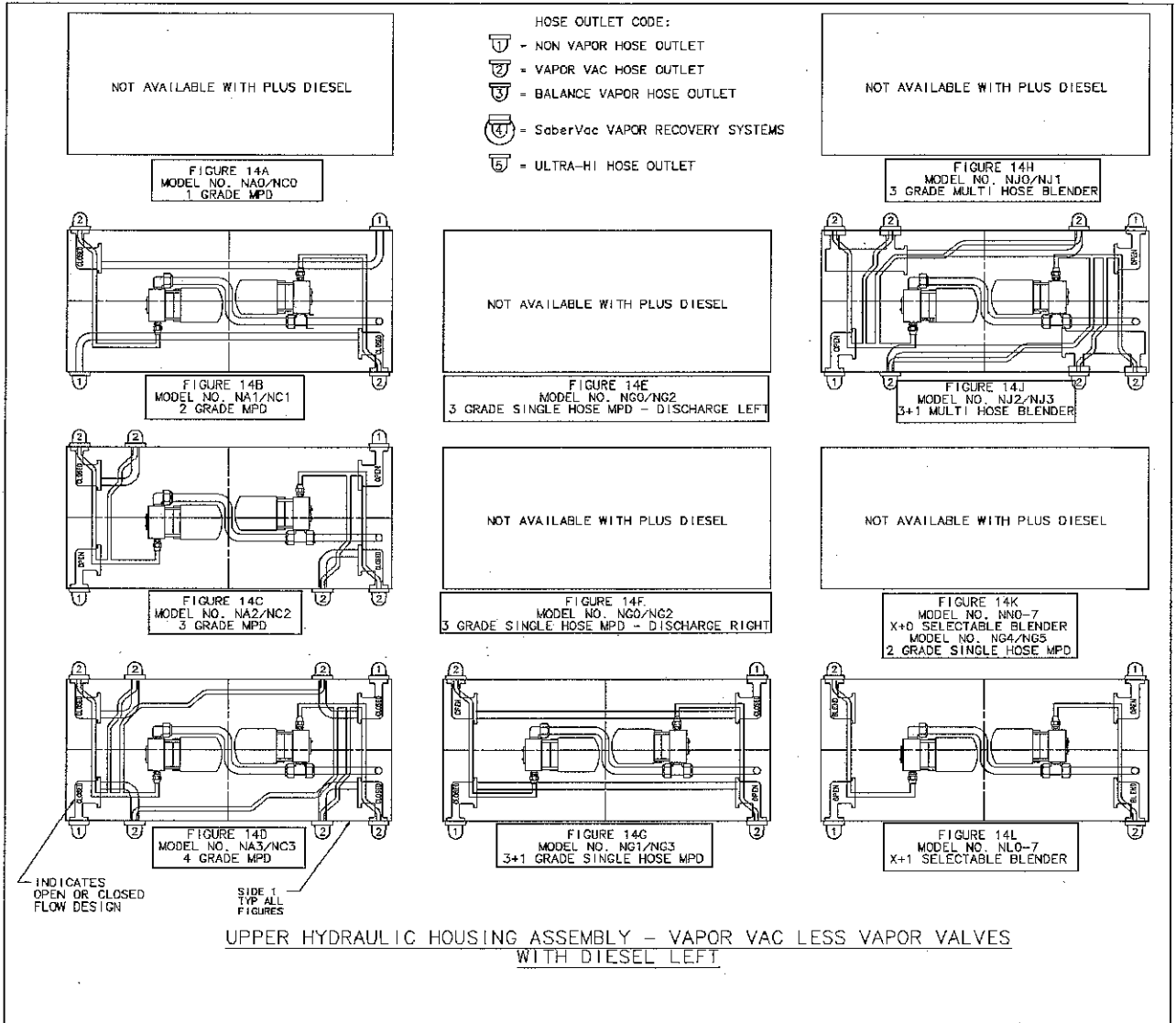
For Units with VaporVac less Vapor Valves (Single-sided, No Diesel)



Note: Refer to Gilbarco Engineering Drawing #M00989 Sheet 13, Rev J.

Upper Hydraulics Configurations - (Reference Page)

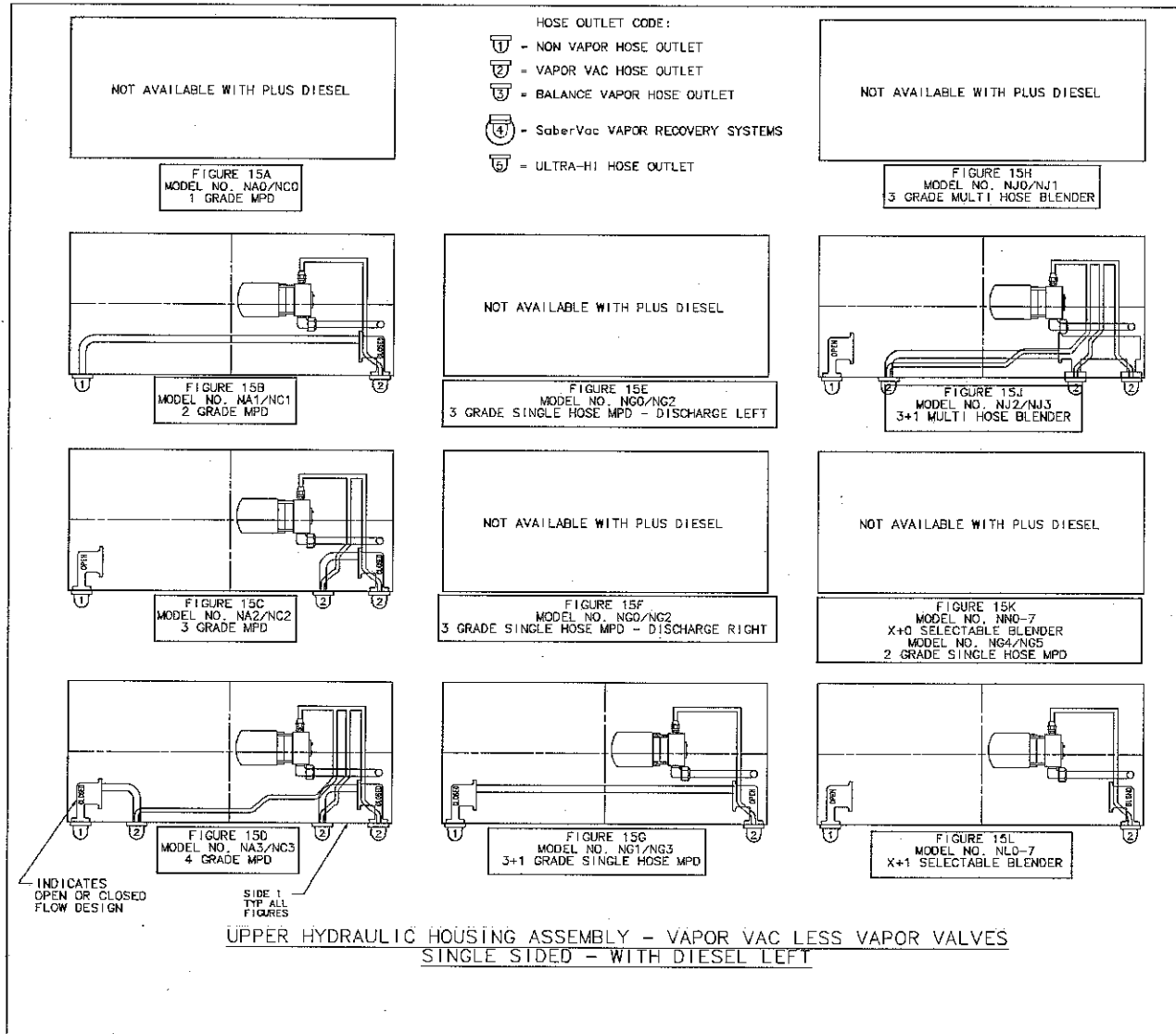
For Units with VaporVac Less Vapor Valves (with Diesel, Left)



Note: Refer to Gilbarco Engineering Drawing #M00989 Sheet 14, Rev K.

Upper Hydraulics Configurations - (Reference Page)

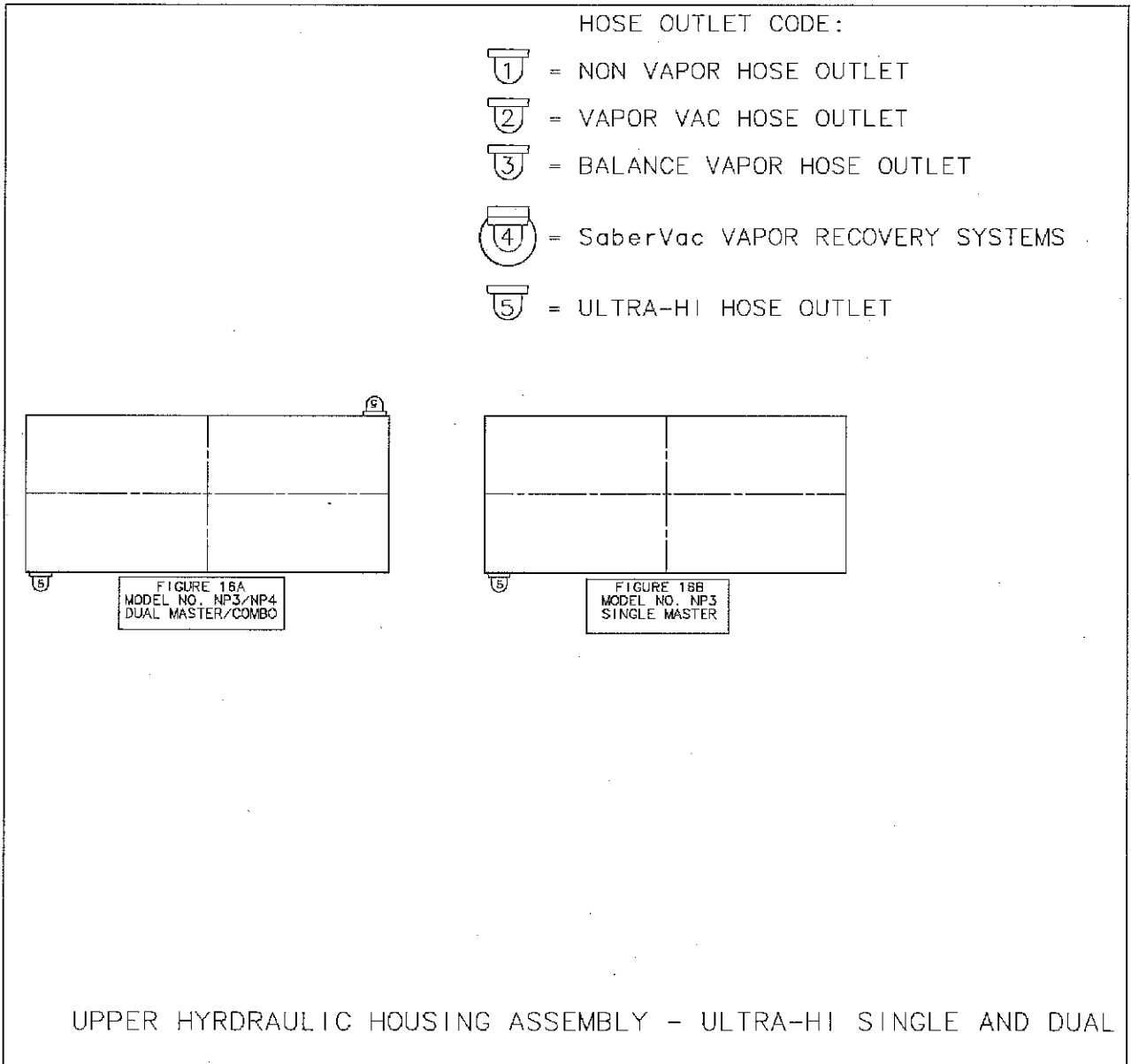
For Units with VaporVac less Vapor Valves (Single-sided with Diesel, Left)



Note: Refer to Gilbarco Engineer Drawing #M00989 Sheet 15, Rev K.

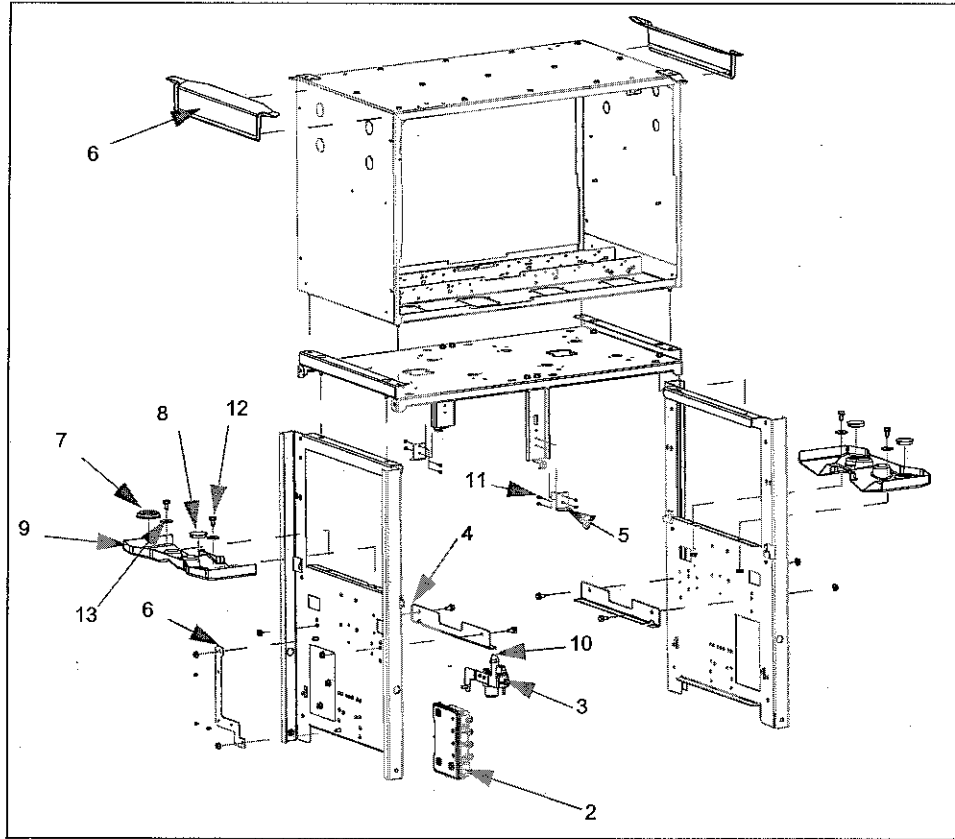
Upper Hydraulics Configuration - (Reference Page)

For Ultra-Hi Single and Dual Units



Note: Refer to Gilbarco Engineering Drawing #M00989 Sheet 16, Rev K.

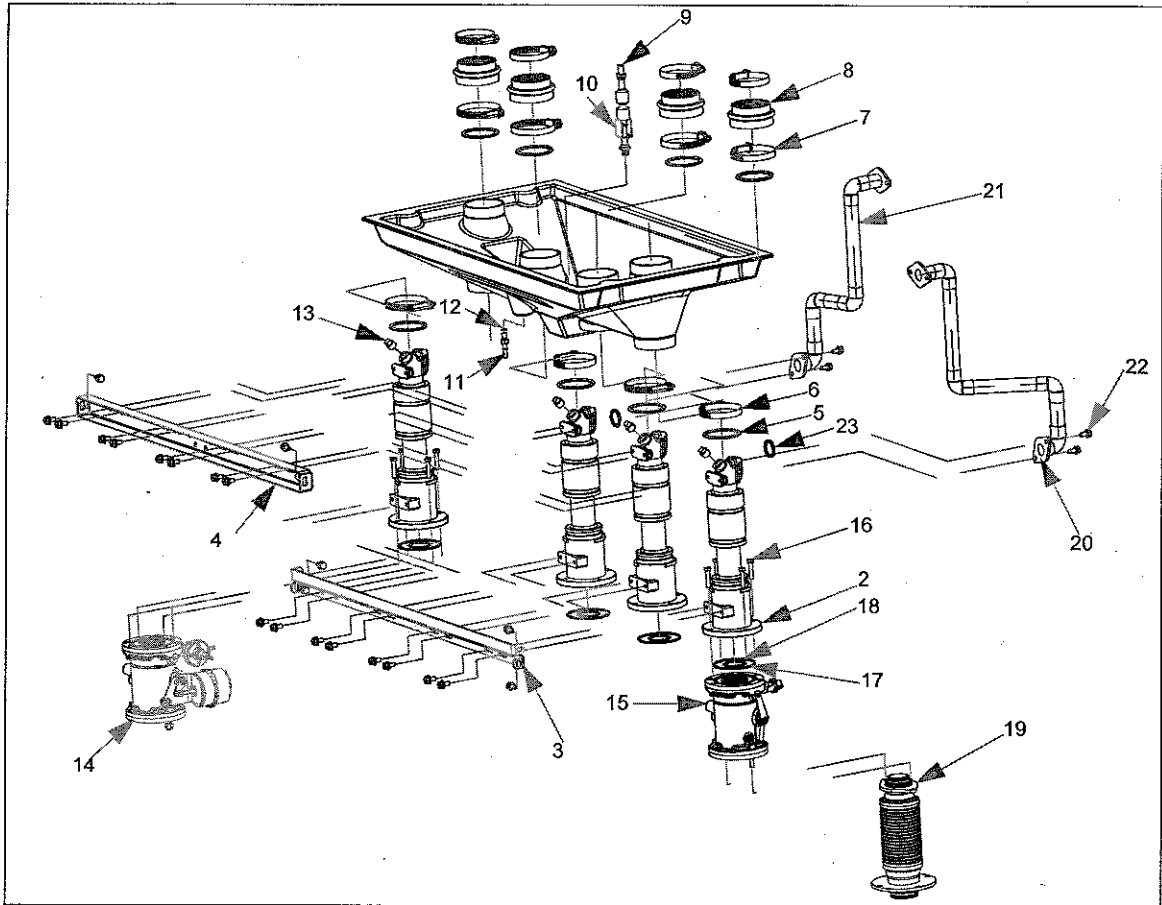
Lower Frame Manual



Item #	Description	Current Part	Previous Part	Quantity
1	DSM Mounting Bracket (Dispenser Sensor Module)	M07259B001	-	1 per Unit
2	DSM Assembly	M07261K011=DSM, 1 Product M07261K012=DSM, 2 Products M07261K013=DSM, 3 Products M07261K014=DSM, 1 Product, No Vapor	-	1 per Unit
3	ILS (Interstitial Liquid Sensor) Assembly	M07260K002	-	1 per Unit
4	Pan Support Bracket	M06752B001	-	2 per Unit
5	Door Switch Mounting Bracket	M07179B001	-	2 per Unit
6	Upper Liquid Deflector	M06700B001	-	2 per Unit
7	Conduit Seal Boot	M07776B001	-	-
8	Conduit Seal Plug	M01758B004	-	-
9	Lower Liquid Deflector	M06702B001	-	2 per Unit
10	ILS Mounting Bracket	M07589A001	-	1 per Unit
11	Screw, M4 X 12 mm	-	-	-
12	Screw, M8 X 18 mm	-	-	-
13	Rubber Washer, 3/8" id X 1-1/4" od X 1/8" Thick	-	-	-

Item #	Description	Current Part	Previous Part	Quantity
-	DSM Installation Cable (DSM to TLS) (Not Shown)	M07261K016	M07261K015	1 per Unit
-	DSM Installation Kit (Not Shown)	M07261K016	M07261K015	1 per Unit

Pan Manual



Item #	Description	Current Part	Previous Part	Quantity
1	Pan	M06669A001=Pan, 3 Inlet with Vapor M06669A002=Pan, 3 Inlet No Vapor M06669A003=Pan, 2 Inlet with Vapor M06669A004=Pan, 1 Inlet with Vapor M06669A005=Pan, 2 Inlet No Vapor M06669A006=Pan, 1 Inlet No Vapor	-	1
2	Inlet Pipe	M06190B020	-	1 per Inlet
3	Lower Support Rail	M06751B001	-	1
4	Upper Support Rail	M07133B001	-	1

Item #	Description	Current Part	Previous Part	Quantity
5	O-Ring	Order Kit M07843K001	-	2 per Inlet
6	Lower Clamp	M07349B002	-	1 per Inlet
7	Upper Clamp	M07349B001	-	2 per Inlet
8	Seal Boot	M06299B001	-	1 per Inlet
9	Sensor Assembly (Float + Door)	M07216A001	-	1
10	Float Offset Bracket	M07326B001	-	1
11	Pan Fitting	Order Kit M07843K001	-	1
12	O-Ring	Order Kit M07843K001	-	1
13	Pipe Plug, 3/8"	-	-	1 per Grade
14	Product Shear Valve	M07536A001	-	1 per Product Grade
15	Vapor Shear Valve	M07536A002	-	1 per Unit with Vapor Recovery Option
16	Screw	Order Kit M07767K001	-	4 per Shear Valve
17	Flex Connector	M07844K001=DW Flex Connector, 12" M07844K002=DW Flex Connector, 18" M07844K003=DW Flex Connector, 24" M07844K004= DW Flex Connector, 30" M07844K005=DW Flex Connector, 36"	-	1 per Shear Valve
18	Copper Tube Assembly	M06921A001	-	1 per Units with 2 or more Inlets
19	Copper Tube Assembly	M06919A001	-	<ul style="list-style-type: none"> • 1 for Units with 1 Inlet • 2 for Units with 3 Inlets
20	Screw, M8 X 16	-	-	-
21	O-Ring	Order Kit M07843K001	-	-