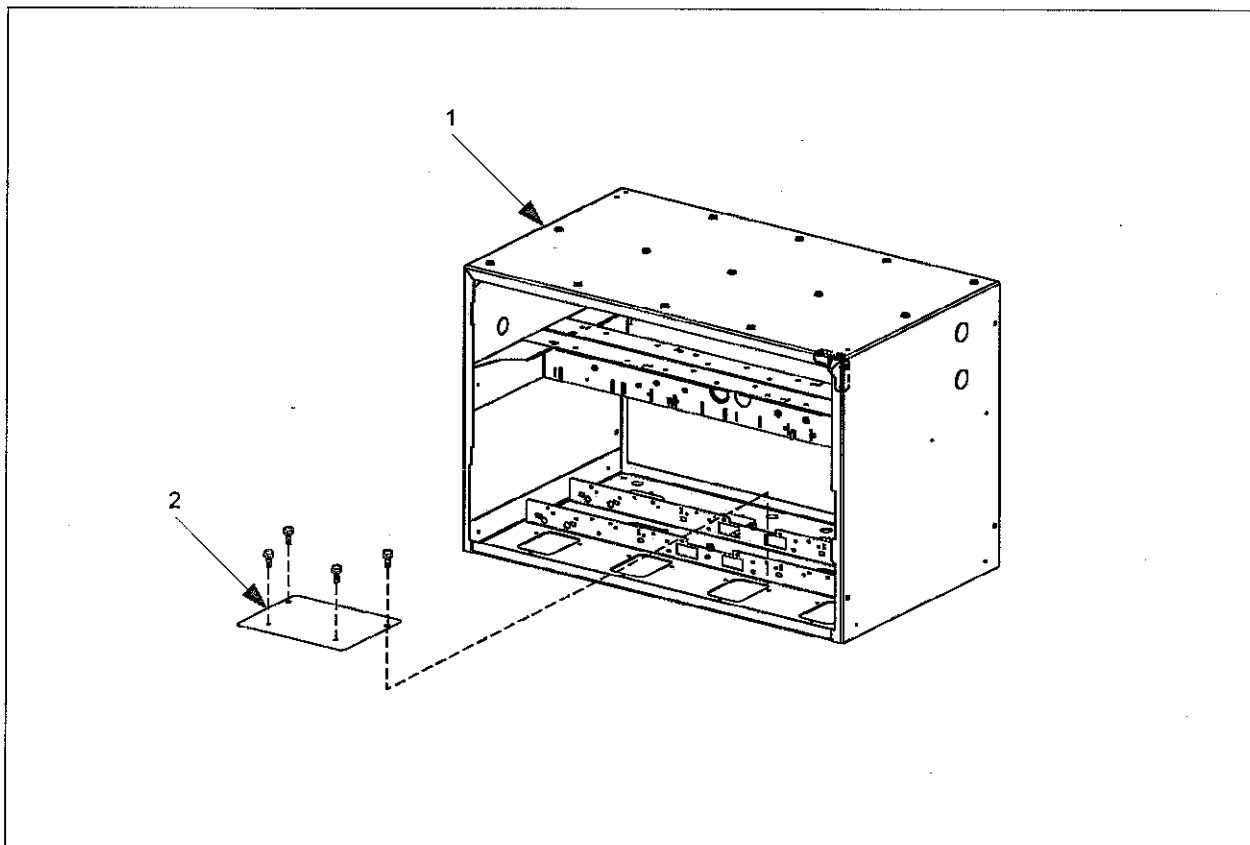


14 – Frame and Sheathing Section

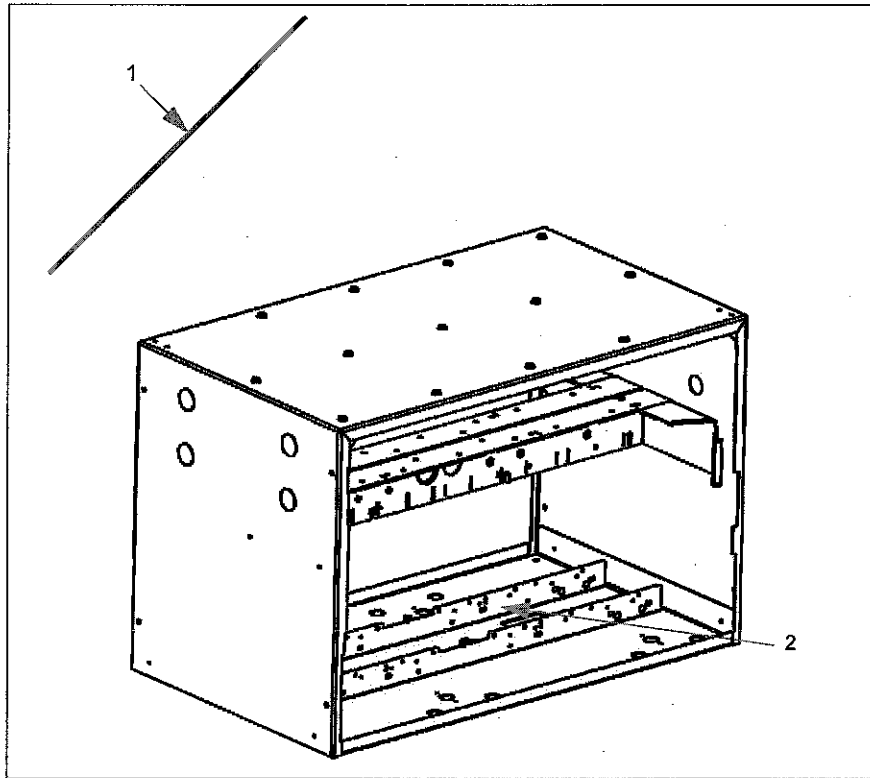
Weldment CD Housing



Item #	Description	Current Part	Previous Part	Quantity
1	Weldment CD Housing	M02959A002	M02959A001	1
2	Upper Manifold Blanking Plate	M02961B001	-	1
	• Screw, Metric M5 X 10 (See Note)	-	-	4

Note: Use metric hardware kit K96620-01 (includes screws, nuts, bolts) to replace fasteners.

CD Module with Lower Rail - Ecometer and Encore 550 SMART Meter

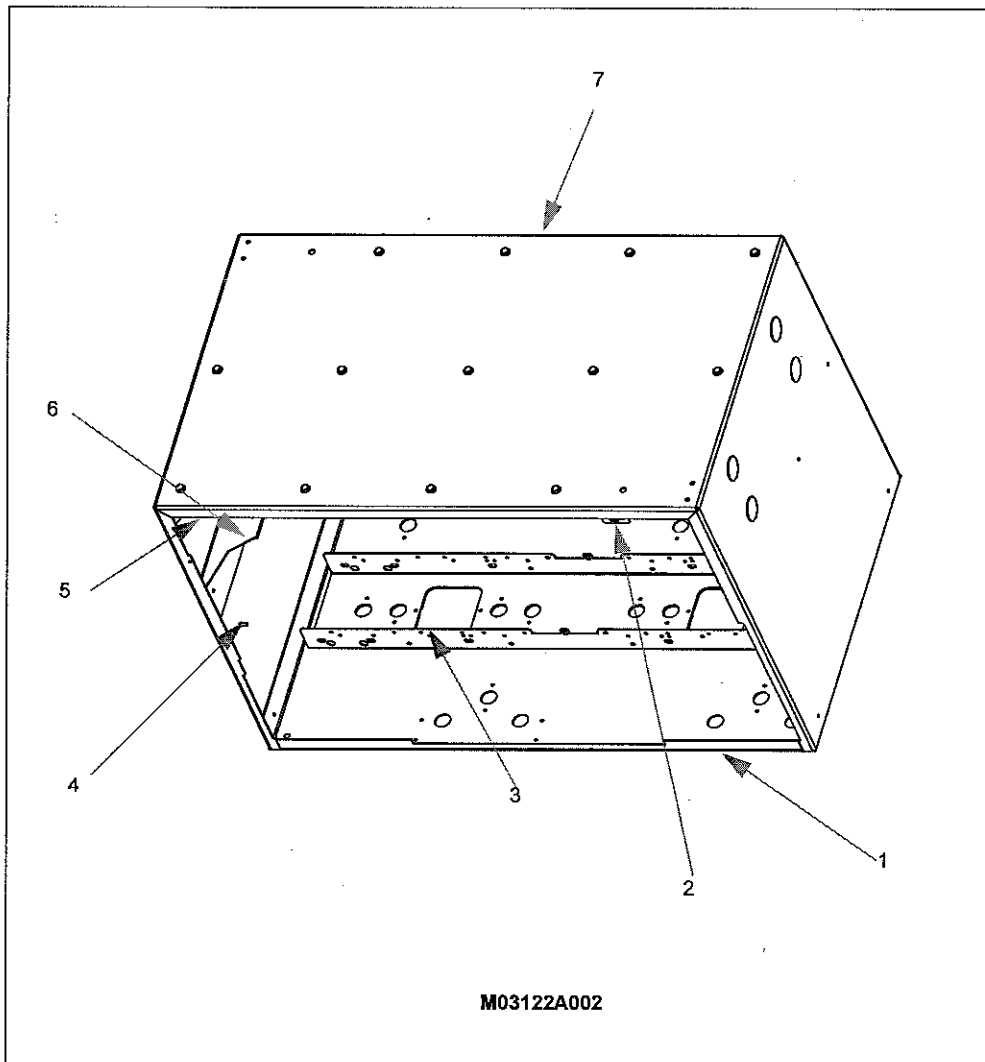


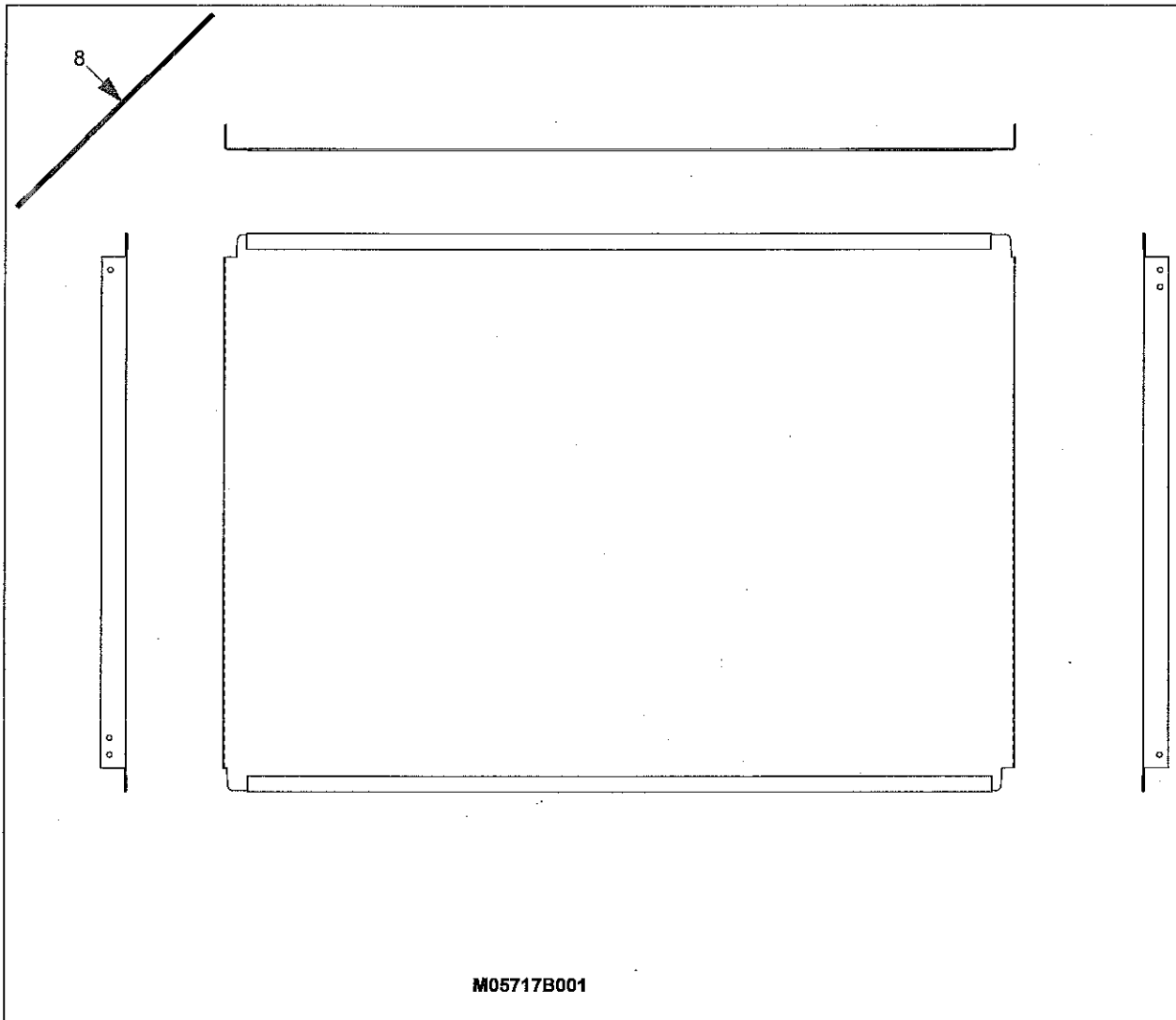
Item #	Description	Current Part	Previous Part	Quantity
1	CD Module Assembly	M03122A002	M03122A001	1
2	Center Lower C Channel Rail	M03488B001	-	1
3	CD Module Top Cover	M05717B001	-	1

CD Module - Ecometer Option

Item #	Description	Current Part	Quantity
1	CD Module Assembly	M03122A002*	1
* This part is present in Encore 550 units with SMART Meter.			

CD Module with Lower Rail - Encore S Series

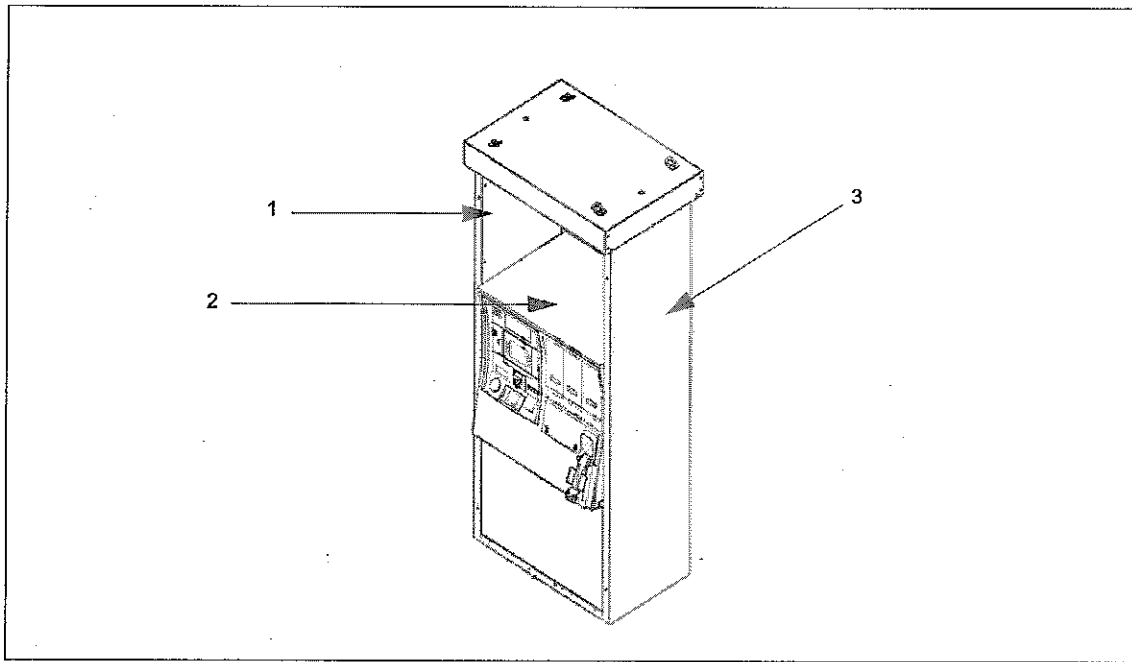




Item #	Description	Current Part	Previous Part	Quantity
1	Housing, CD Lower Frame	M03123B002	-	1
2	Bracket, Prop Holding	M06017B001	-	2
3	Rail, Center Lower C	M03488B001	-	1
4	Stud, Weld, Metric M5 X 12	M04445B002	-	4
5	Bracket, CD Corner	M00308B001	-	4
6	Rail, Center Upper T	M00307B002	-	2
7	Housing, CD Upper Frame	M00310B002	-	1
8	CD Module Top Cover	M05717B001	-	1

Sheathing - Encore 300 and 500

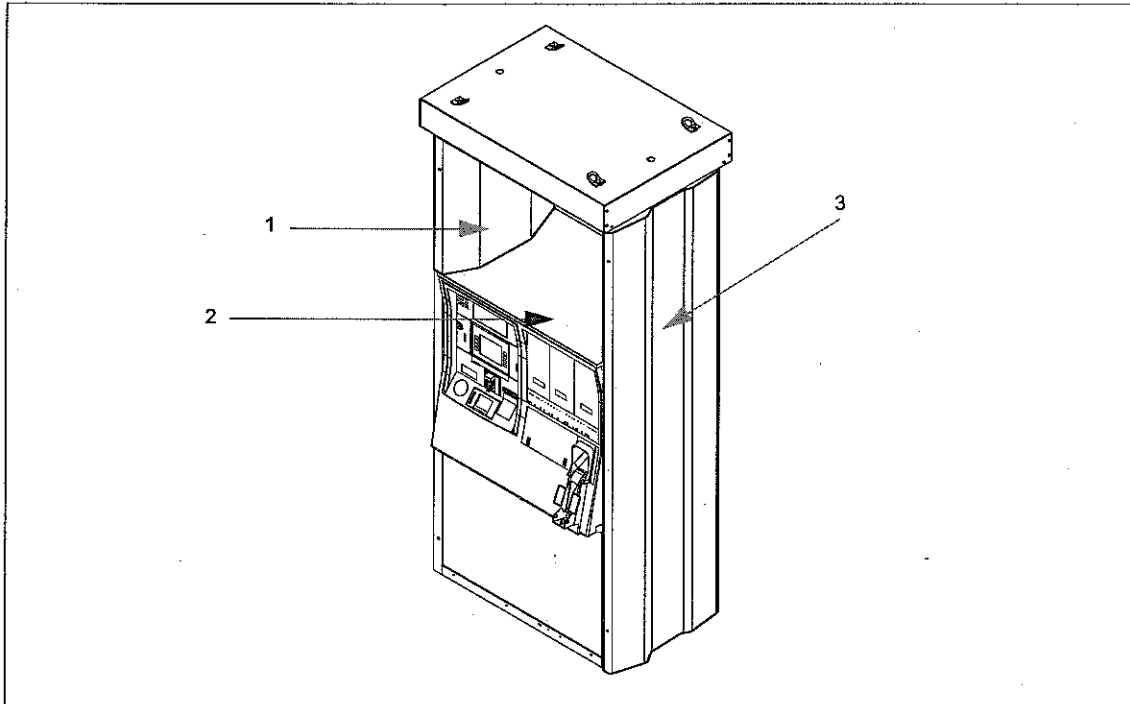
Note: Different sheathings are color coded. Before ordering sheathing, specify the required color.



Item Number	Description	Part Number (Current)	Part Number (Previous)	Remarks
1	Sheathing, Inner Column (Painted Steel)	M00586B001	-	• Painted Galvanized Steel (Color Required) (See Note)
	Sheathing, Inner Column (Unpainted Stainless Steel)	M00586B002	-	(See Note)
-	• Screw M5 X 12 Machine Phillips Pan Head			Stainless Steel
2	Computer Display Module Top cover	M00467B001	-	• Painted (Color Required) (See Note)
3	1-piece Outer Column Sheathing (Painted Steel)	M00588B001	-	• Painted • Painted Galvanized Steel (Color Required) (See Note)
	1-piece Outer Column Sheathing (Unpainted Stainless Steel)	M00588B002	-	(See Note)
-	• Screw M5 X 12 Machine Phillips Pan Head		-	Stainless Steel
<i>Note: All stainless steel parts are noted as such. Customer must specify paint code when ordering.</i>				

Sheathing - Encore 550

Note: Different sheathings are color coded. Before ordering sheathing, specify the required color.



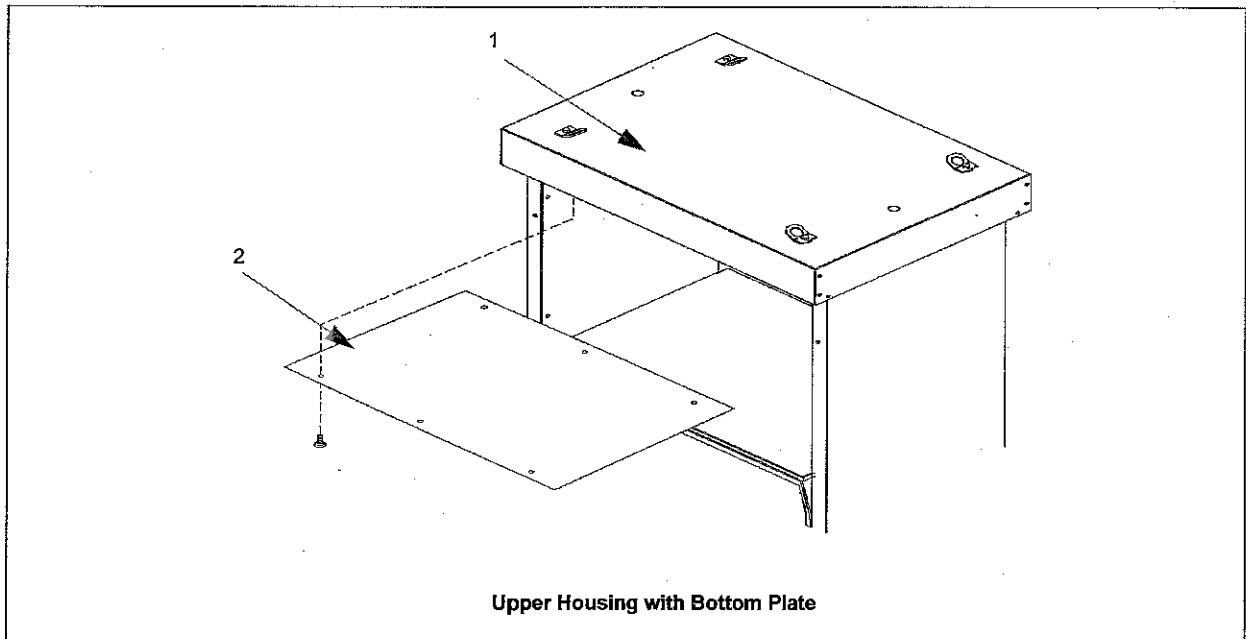
Item Number	Description	Part Number (Current)	Part Number (Previous)	Remarks
1	Sheathing, Inner Column (Painted Steel)	M05414B001	-	• Painted Galvanized Steel (Color Required) (See Note)
	Sheathing, Inner Column (Unpainted Stainless Steel)	M05414B002	-	(See Note)
-	• Screw M5 X 12 Machine Phillips Pan Head	-	-	Stainless Steel
2	Computer Display Module Top Cover	M03715B001	-	• Painted (Color Required) (See Note)
3	1-piece Outer Column Sheathing (Painted Steel)	M05415B001	-	• Painted • Painted Galvanized Steel (Color Required) (See Note)
	1-piece Outer Column Sheathing (Unpainted Stainless Steel)	M05415B002	-	(See Note)
-	• Screw M5 X 12 Machine Phillips Pan Head	-	-	Stainless Steel

Note: All stainless steel parts are noted as such. Customer must specify paint code when ordering.

Encore Column Sheathing Protectors

Item Number	Description	Part Number (Current)	Part Number (Previous)	Remarks
1	Shell® 3M™ 3690-10 (0.002" PS White Vinyl with no Polyester Overlamine)	M05545B001	-	-
2	Clear [Using 3650-114 (Clear Vinyl) and no Ink]	M05545B002	-	-
3	Silver #2752 for ExxonMobil®	M05545B003	-	-

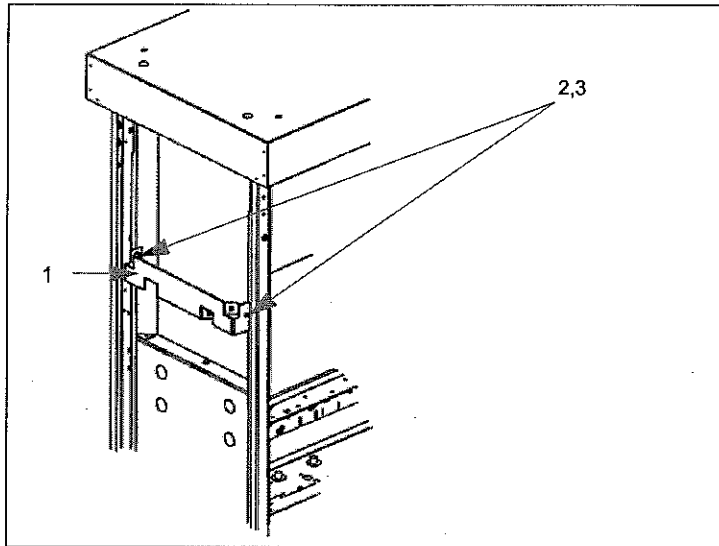
Upper Housing



Item Number	Description	Part Number (Current)	Part Number (Previous)	Remarks
1	Upper Housing Top Cover (Painted)	M00578A001	-	<ul style="list-style-type: none"> • Painted • Painted Galvanized Steel (Color Required) (See Note)
2	Upper Housing Bottom Plate	M00589B001	-	• Painted (Color Required) (See Note)
	• Screw, Metric M5 X 10	-	-	-
	• Screw, Metric M5 X 12	-	-	Stainless Steel Hd Painted Black

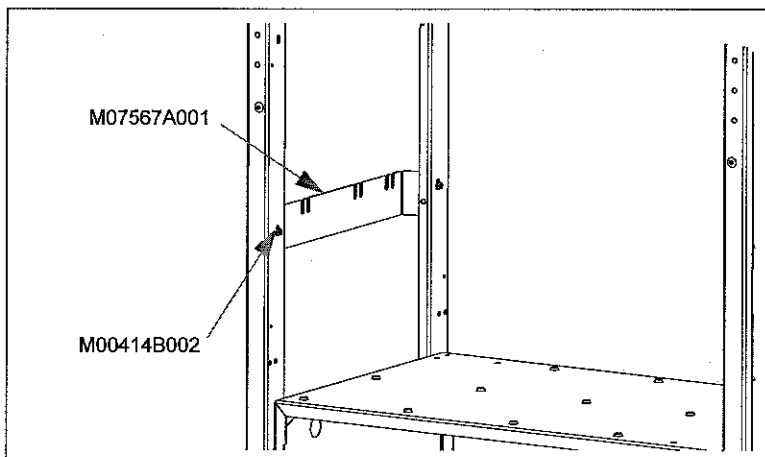
Note: All stainless steel parts are noted as such. Customer must specify paint code when ordering.

SMART Meter Mounting Bracket - Encore 550



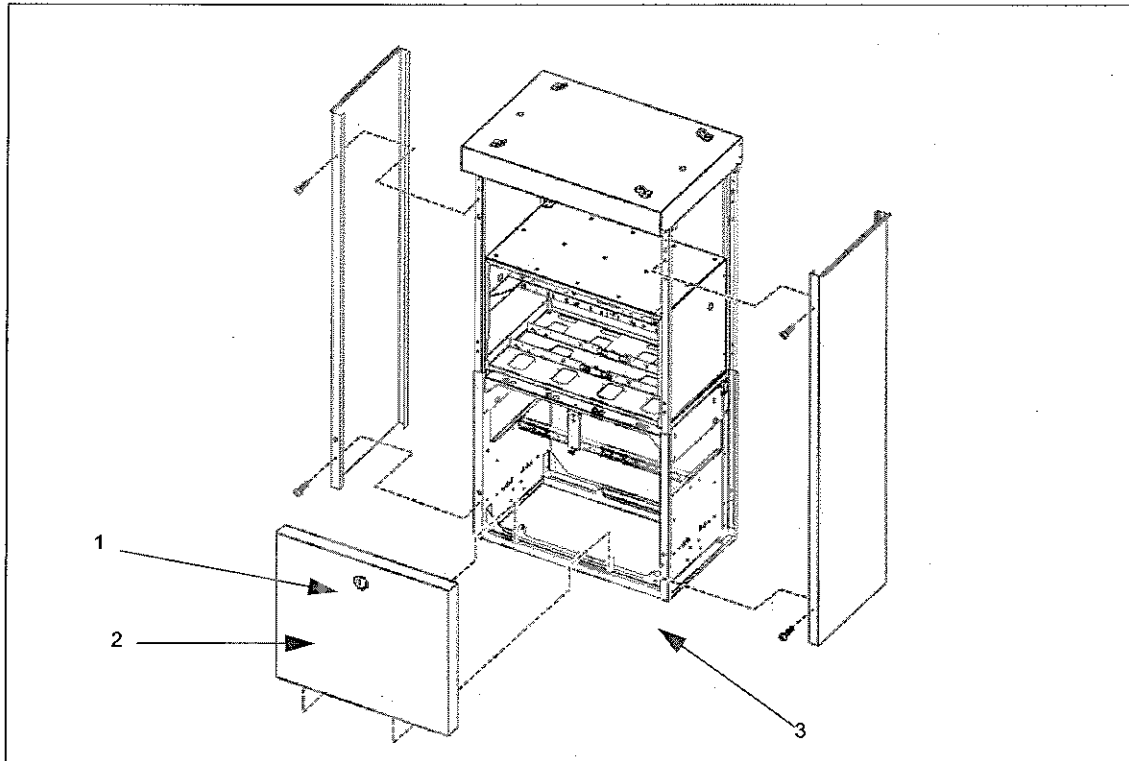
Item #	Description	Current Part	Previous Part	Quantity
1	Meter Mounting Bracket	M03645B003	M03645B001	1
2	• Screw, M8 X 16	-	-	2
3	• Nut, Serrated M8	M00414B003	-	2

Ecometer Mounting Bracket



Item #	Description	Current Part	Previous Part	Quantity
1	Mounting Bracket	M07567A001	-	1
2	• Nut, Metric Hex Serrated Flange	M00414B002	-	2

Panels - Encore 300 and 500

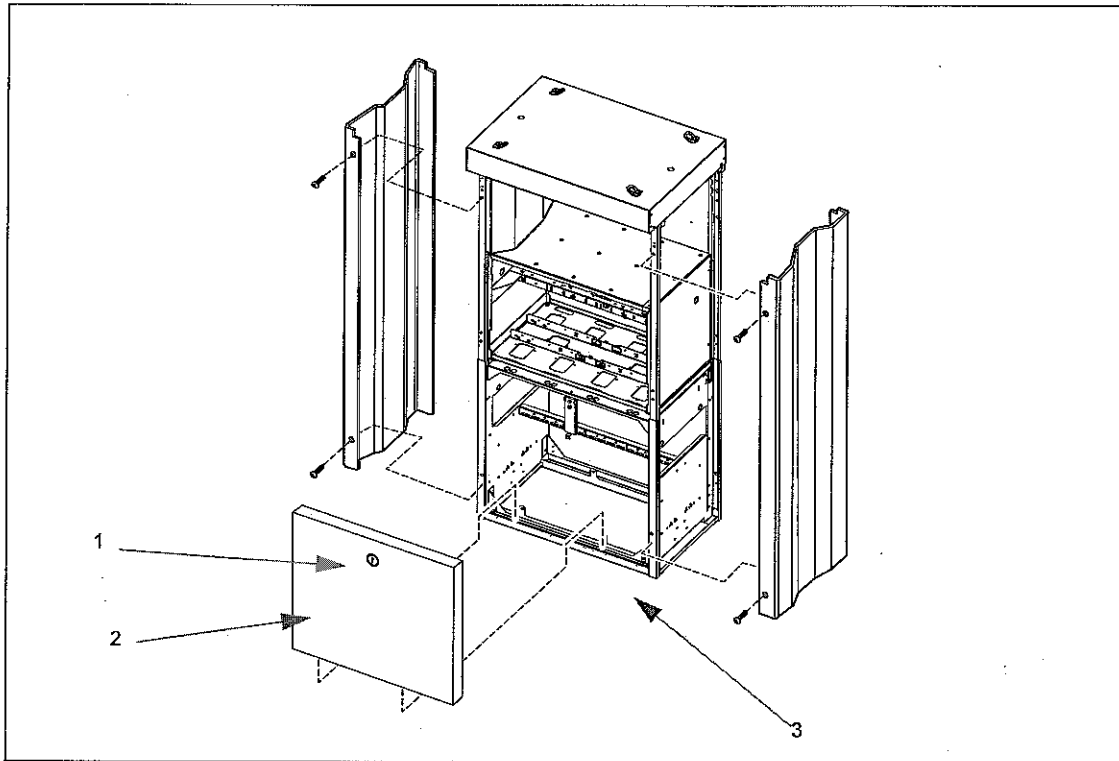


Item #	Description	Current Part	Previous Part	Remarks
1	Panel Lock Assembly with Key	K83512-30	-	(See Note 1)
2	Lower Panel (Painted Steel)	M00848B001	-	Painted Painted Galvanized Steel
	Lower panel (Unpainted Stainless Steel)	M00848B002	-	-
3	Base Rail Cover	M00585B001	-	Painted (Color Required) (See Note 2)
-	Hardware, Sheathing/Top Cover	M01105A001	-	(Stainless Steel, Black) (See Notes 2 And 3)
-	• Lifting Brackets (Top Cover)	-	-	-
-	• Bolt, Hex Hd, Metric (Top Cover)	-	-	-
-	• Washer, Rubber (Top Cover)	-	-	-
-	• Screw, Metric M5 X 10 Phillips Pan Head	-	-	Stainless Steel
-	• Screw, Metric M5 X 10 Phillips Pan Head	-	-	Black
-	• Screw, M5 X 10 Thd Frm Hx Hd	-	-	Black
-	• Screw, M5 X 10 Thd Frm Hx Hd	-	-	Stainless Steel
-	• Rivet, Pop 0.125 Dia X 0.357	-	-	-

Notes:

1. Panel Lock assembly with Key parts are ordered as an assembly.
2. All Stainless Steel parts are noted as such. Must specify paint code when ordering.
3. Sheathing hardware parts are not illustrated. Customer to order parts as required. Parts can be ordered by entering Part Number M01105A001 or M01105A002.

Panels - Encore 550

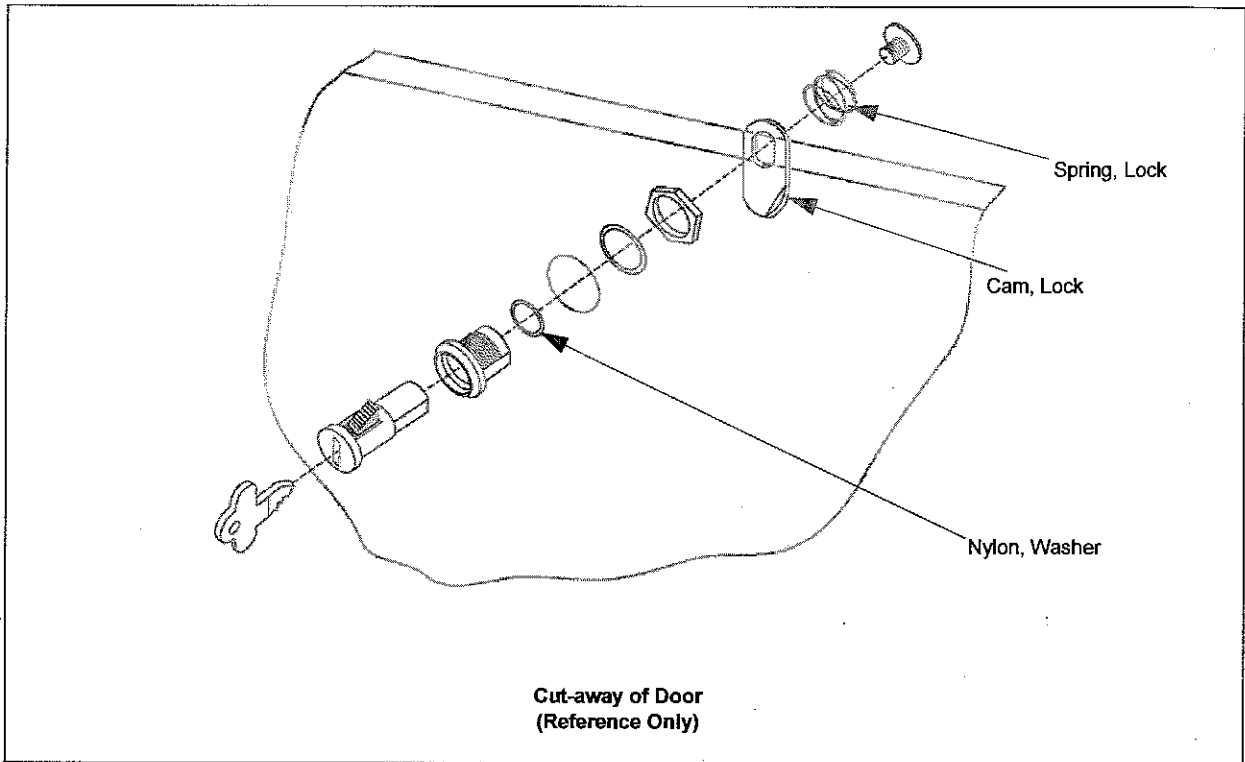


Item #	Description	Current Part	Previous Part	Remarks
1	Panel Lock Assembly with Key	K83512-30	-	(See Note 1)
2	Lower Panel (Painted Steel)	M00848B001	-	Painted Painted Galvanized Steel
	Lower Panel (Unpainted Stainless Steel)	M00848B002	-	-
3	Base Rail Cover	M00585B001	-	Painted (Color Required) (See Note 2)
-	Hardware, Sheathing/Top Cover	M01105A001	-	(Stainless Steel, Black) (See Notes 2 And 3)
-	• Lifting Brackets (Top Cover)	-	-	-
-	• Bolt, Hex Hd, Metric (Top Cover)	-	-	-
-	• Washer, Rubber (Top Cover)	-	-	-
-	• Screw, Metric M5 X 10 Phillips Pan Head	-	-	Stainless Steel
-	• Screw, Metric M5 X 10 Phillips Pan Head	-	-	Black
-	• Screw, M5 X 10 Thd Frm Hx Hd	-	-	Black
-	• Screw, M5 X 10 Thd Frm Hx Hd	-	-	Stainless Steel
-	• Rivet, Pop 0.125 Dia X 0.357	-	-	-

Notes:

1. Panel Lock assembly with Key parts are ordered as an assembly.
2. All stainless steel parts are noted as such. Must specify paint code when ordering.
3. Sheathing hardware parts are not illustrated. Customer to order parts as required. Parts can be ordered by entering Part Number M01105A001 or M01105A002.

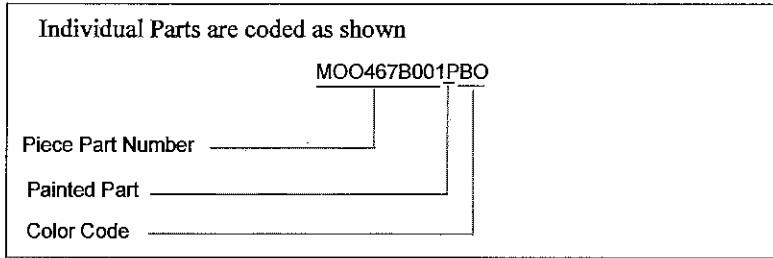
Panel Lock Assembly with Key



Item #	Description	Current Part	Previous Part	Quantity
1	Panel Lock Assembly with Key	K83512-30	-	(See Note)
-	• Nylon, Washer	-	-	(See Note)
-	• Spring, Lock	-	-	(See Note)
-	• Cam, Lock	-	-	(See Note)

Note: Panel Lock assembly with Key parts are ordered as an assembly. Nylon-washer, Spring-lock, and Cam-lock can be ordered as order entry items only.

Description of Part Number

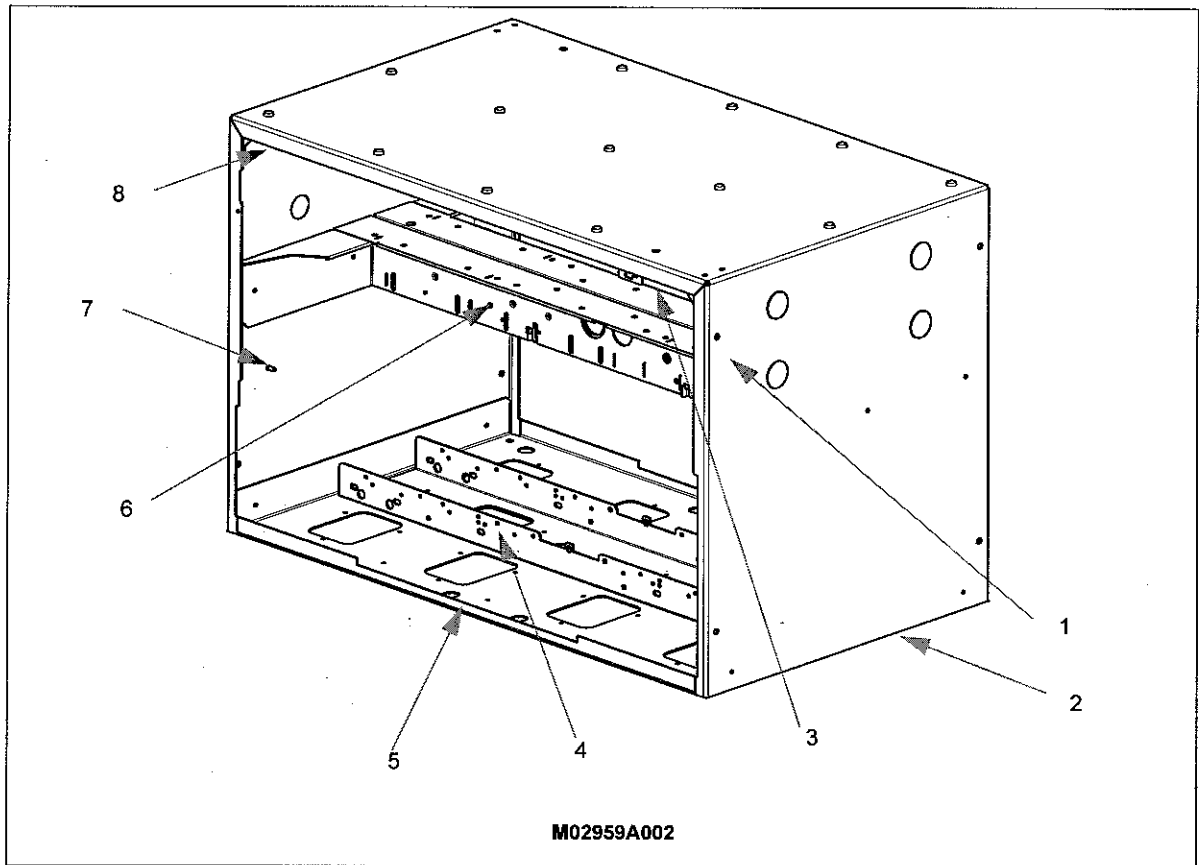


Sample of Color Codes

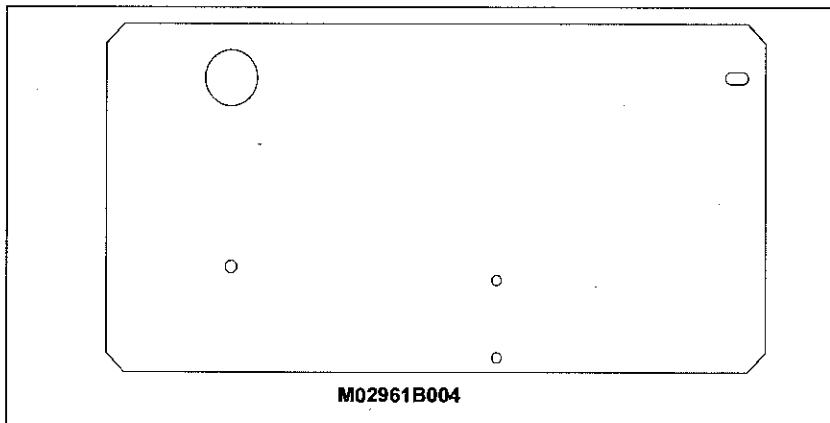
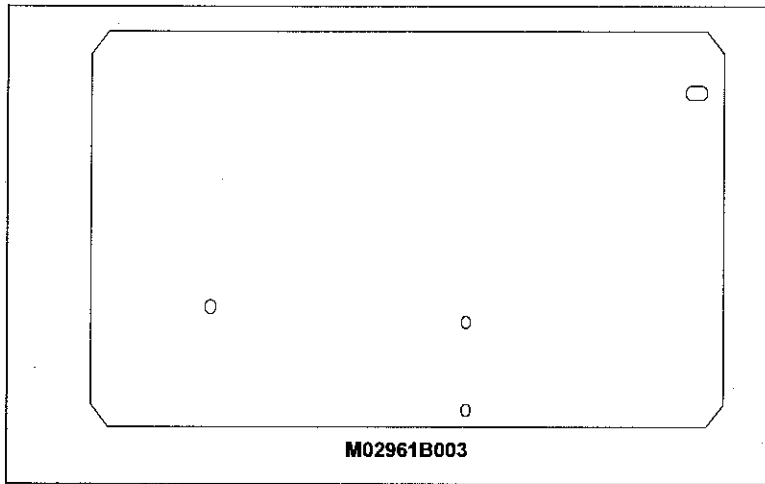
Note: The following table lists a few samples of the color code specifications. Color codes are codes used with a part number shown after the finished painted part. End codes are subject to change. Before ordering painted parts, specify the proper color code. For further help, contact a Gilbarco Representative at 1-800-800-7498 for proper color code specification.

Color Code	Color	End Code
AO	White	2485
BO	Black	2332
CO	Gray	2556
EO	Gray	2584
FO	Cream	2583
and so on	-	-

Weldment CD Housing (Encore S Series)

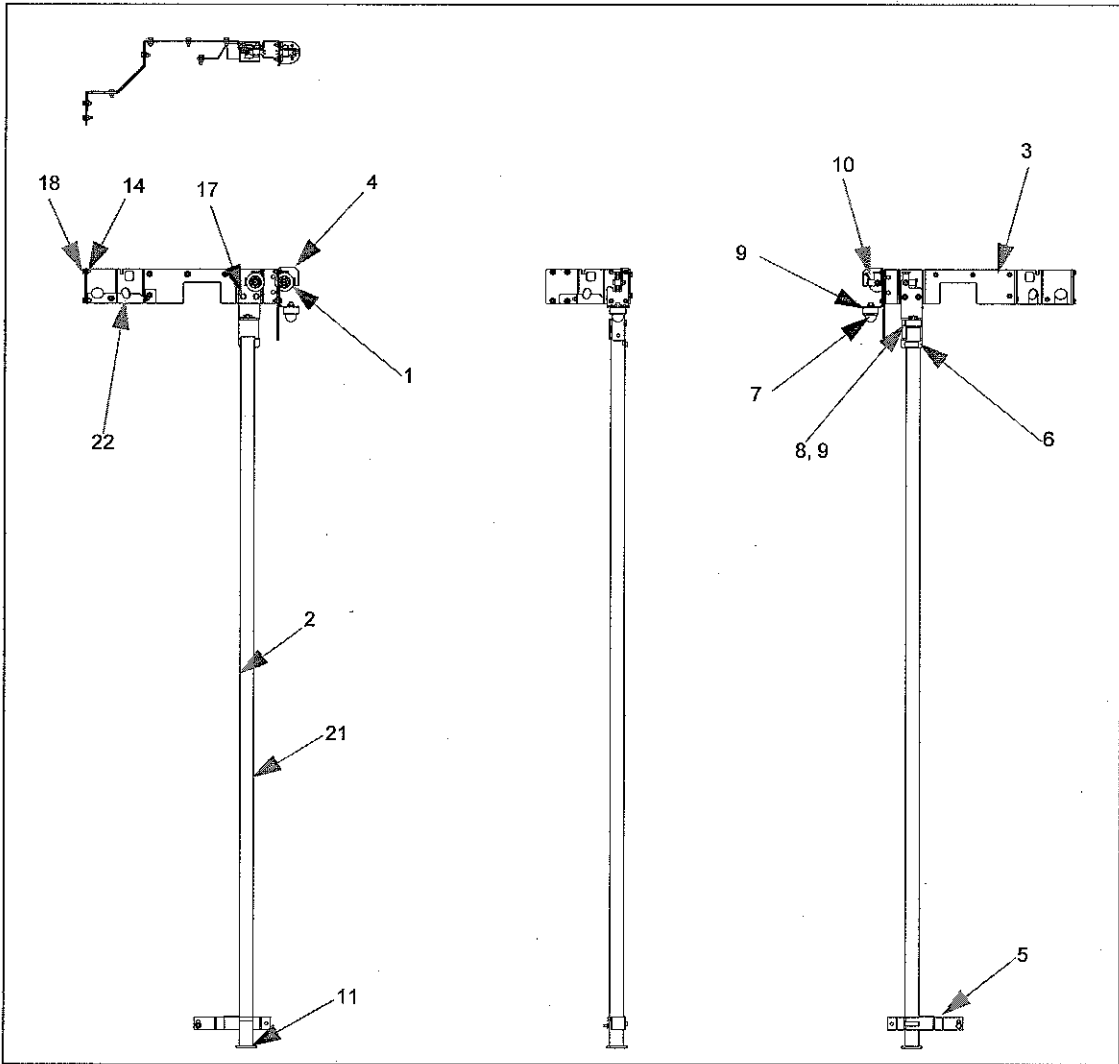


Item #	Description	Current Part	Previous Part	Quantity
1	Weldment CD Housing	M02959A002	M02959A001	1
2	Tape, Adhesive	M02677B001	-	-
3	Housing, CD Upper Frame	M00310B002	-	1
4	Bracket, Prop Holding	M06017B001	-	2
5	Rail, Center Lower C	M03488B001	-	1
6	Housing, CD Lower Frame	M02938B002	-	1
7	Rail, Center Upper T	M00307B002	-	2
8	Stud, Weld, Metric M5 X 12	M04445B002	-	4
9	Bracket, CD Corner	M00308B001	-	4



Item #	Description	Current Part	Previous Part	Quantity
1	Blanking Plate - E500S	M02961B003	-	1
2	Blanking Plate - E500S Ultra-Hi	M02961B004	-	-

Hose Retriever



Item #	Description	Current Part	Previous Part	Quantity
1	Assembly, Hose Pull Pulley	M06434A001	K85151	2
2	Assembly, Retriever Weight	M01925A001	-	1
3	Bracket, Retriever Guide Inner Encore	M04490B001	-	1
4	Bracket, Retriever Guide, Outer, Encore	M01805B001	-	1
5	Bracket, Retriever Support	M01809B002	-	1
6	Brk,Rtrv Weight Guide, Inner, Encore	M01916B001	-	1
7	Bumper Stop, Rubber, Retrieval	M01918B001	-	1
8	Bumper, Retriever Stop, Inner, Encore	M01993B001	-	1
9	Cable Grommet	R18450	-	2
10	Cable Guide	N23485	-	1

Item #	Description	Current Part	Previous Part	Quantity
11	Neoprene Pad	N23530	-	1
12	Neoprene Pad	N23543	-	6
13	Nut Hex Flanged 5/16-18	Q11890-05	-	2
14	Nut, Metric, Hex Serrd Flg (M8)	M00414B003	-	17
15	Bolt Hex Soch Shldr 0.375 X 0.750, 5/16-18, Sat	Q10113-02	-	2
16	Retriever Cable 0.187 in Dia X 74.00 Lg	N23533-04	-	1
17	Screw, Metric M8 X 20	M00415B010	-	3
18	Screw, Metric, Skt Btn Hd (M8 X 20)	M01257B010	-	14
19	Slotted Hex Hd Self Tapping Screws 10-24 X 5/8	K85149-03	-	4
20	Washer, Narrow Gage (0.312 X 0.065)	K66872-01	-	1
21	Weight Guide Tube	M01923B001	-	-
22	Bracket Support (Retriever) Encore Xr (Balance)	M02586B001	-	1