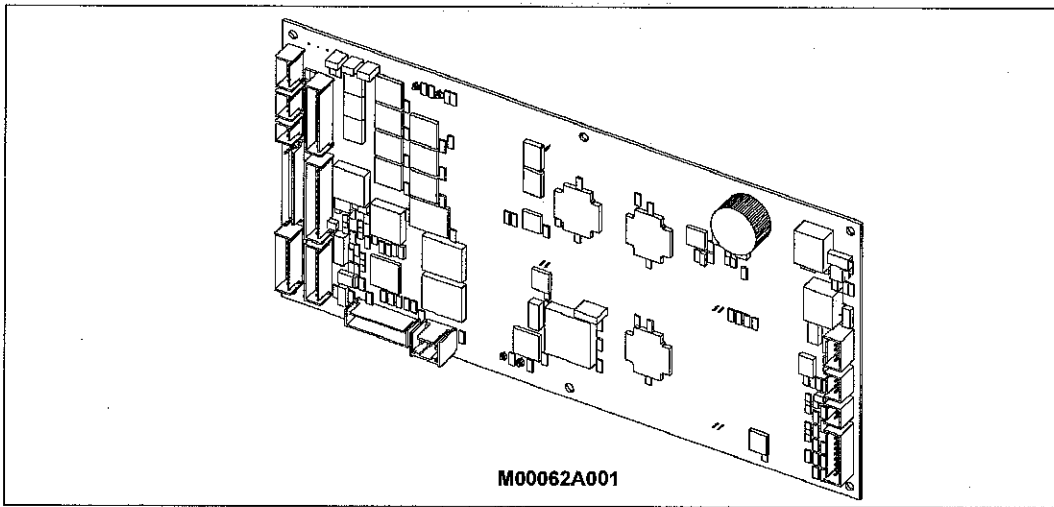
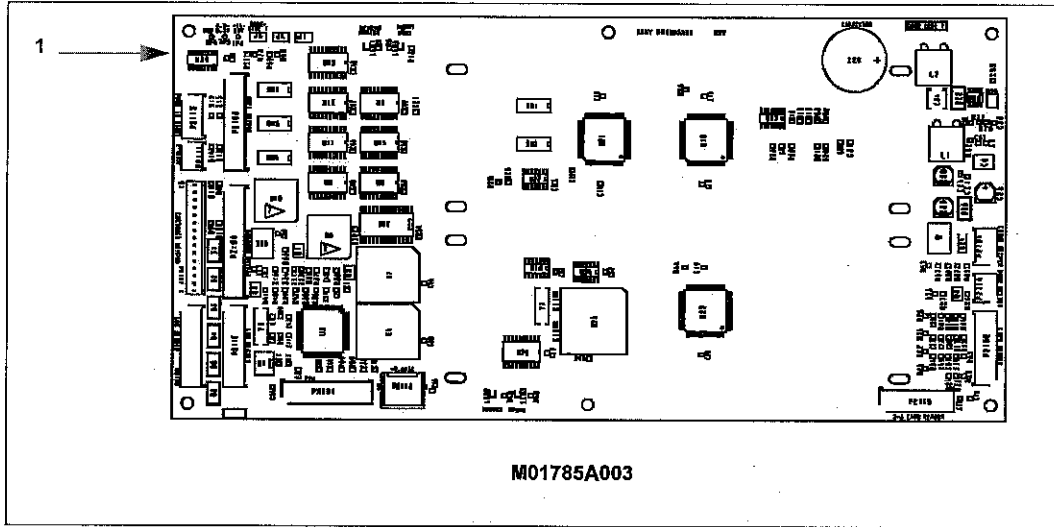


# 4 – Door Module Electronics (E500 and Encore S)

## Pump Door Node Assembly 2 (Prior to November 2004)

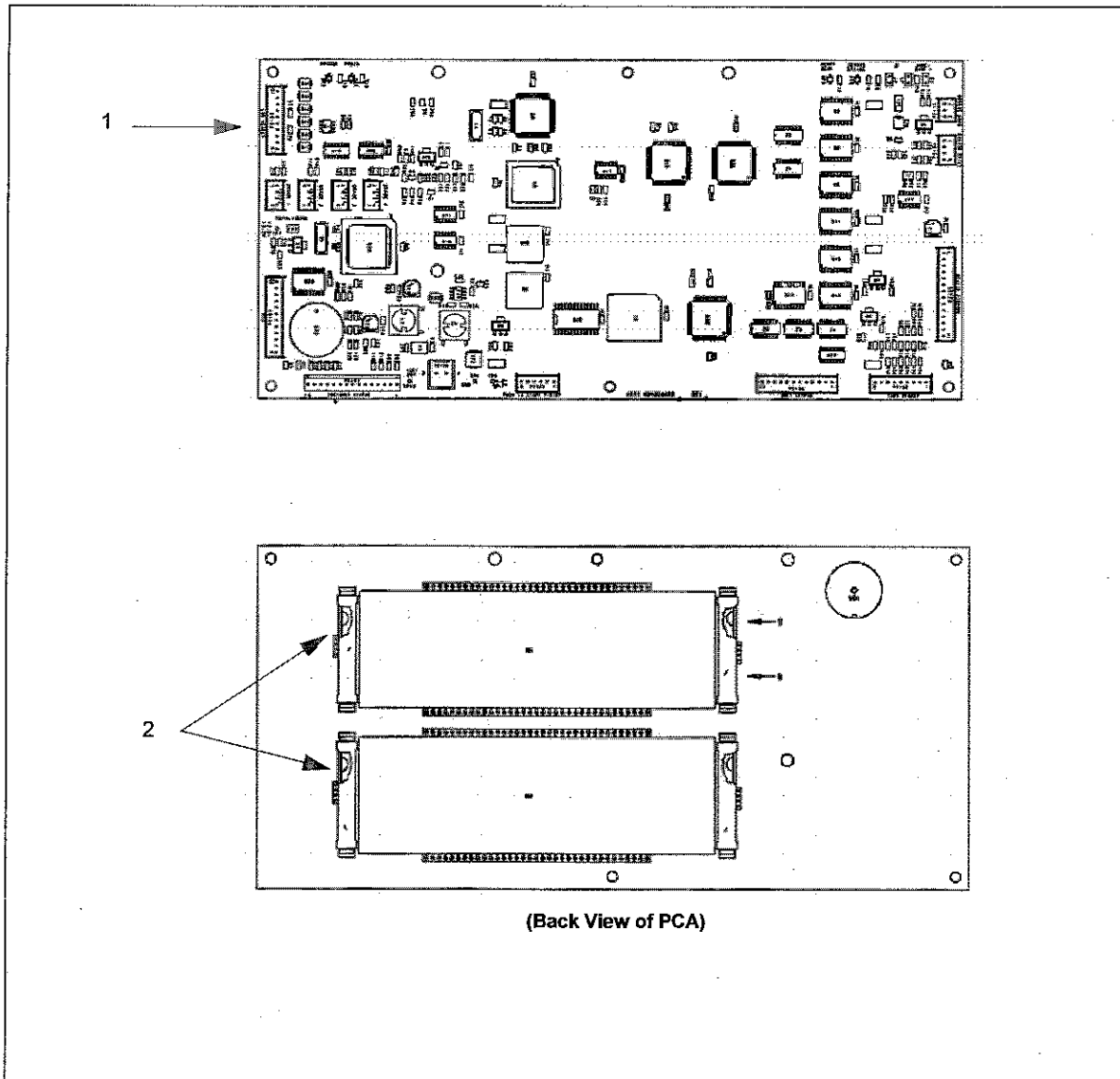


Item #	Description	Current Part	Previous Part	Quantity
1	Pump Door Node Assembly, PCB (See Notes 1 and 2)	M01785A003	M01785A001	1
	• Screw, Self Tapping Hex Hd, 6-20X	-	-	4
	Lamp	Q12448-04	-	12

**Notes:**

1. Pump Door Node PCB M00062A001 is interchangeable with Pump Door Node PCB M01785A003.
2. M01785A003 and M0062A001 Pump Door Node Assemblies are not forward compatible with M04326A002.

# Pump Door Node Assembly 3 (Post November 2004)

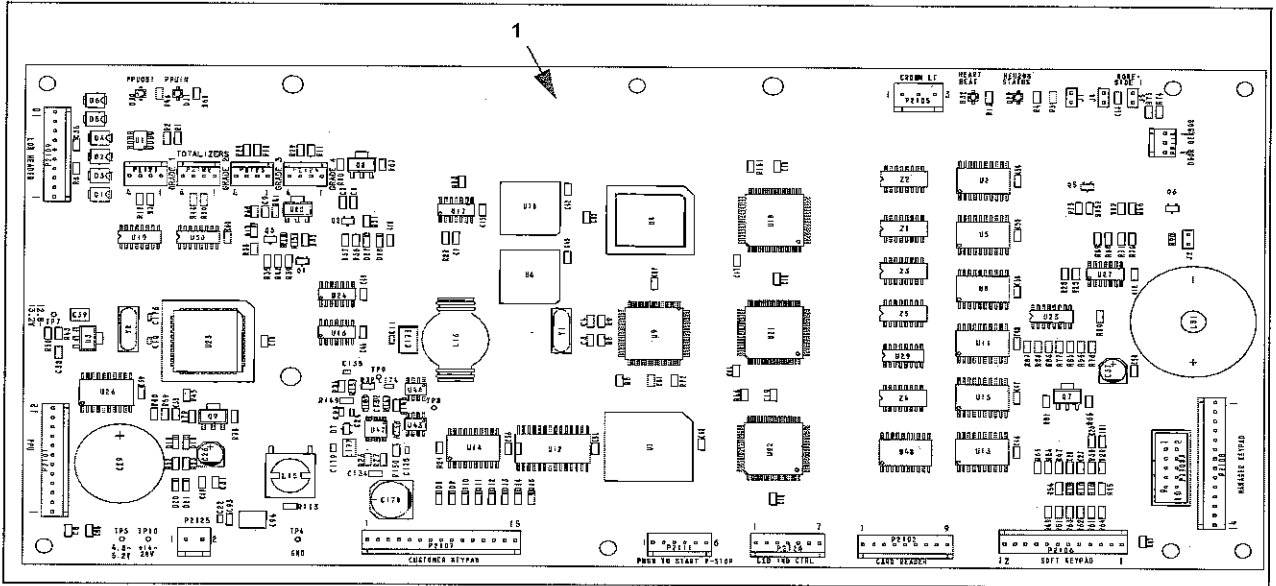


(Back View of PCA)

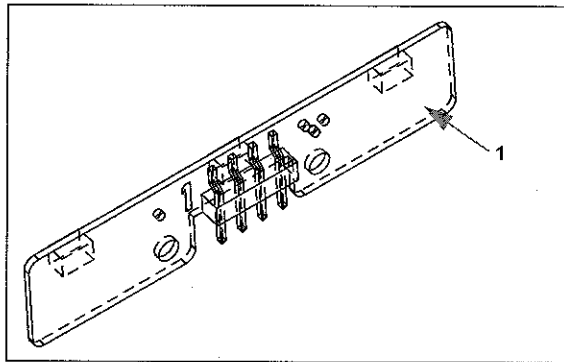
Item #	Description	Current Part	Previous Part	Quantity
1	PCA Door Node Assembly 3 (See Note)	M04326A002	M04326A001	1
2	LED Backlight Array, 1 inch (Used on M04326A002 Door Node 3)	M04466B001	-	1

Note: M04326A002 is not backward compatible.

# Pump Door Node Assembly 4 (Encore S Series)

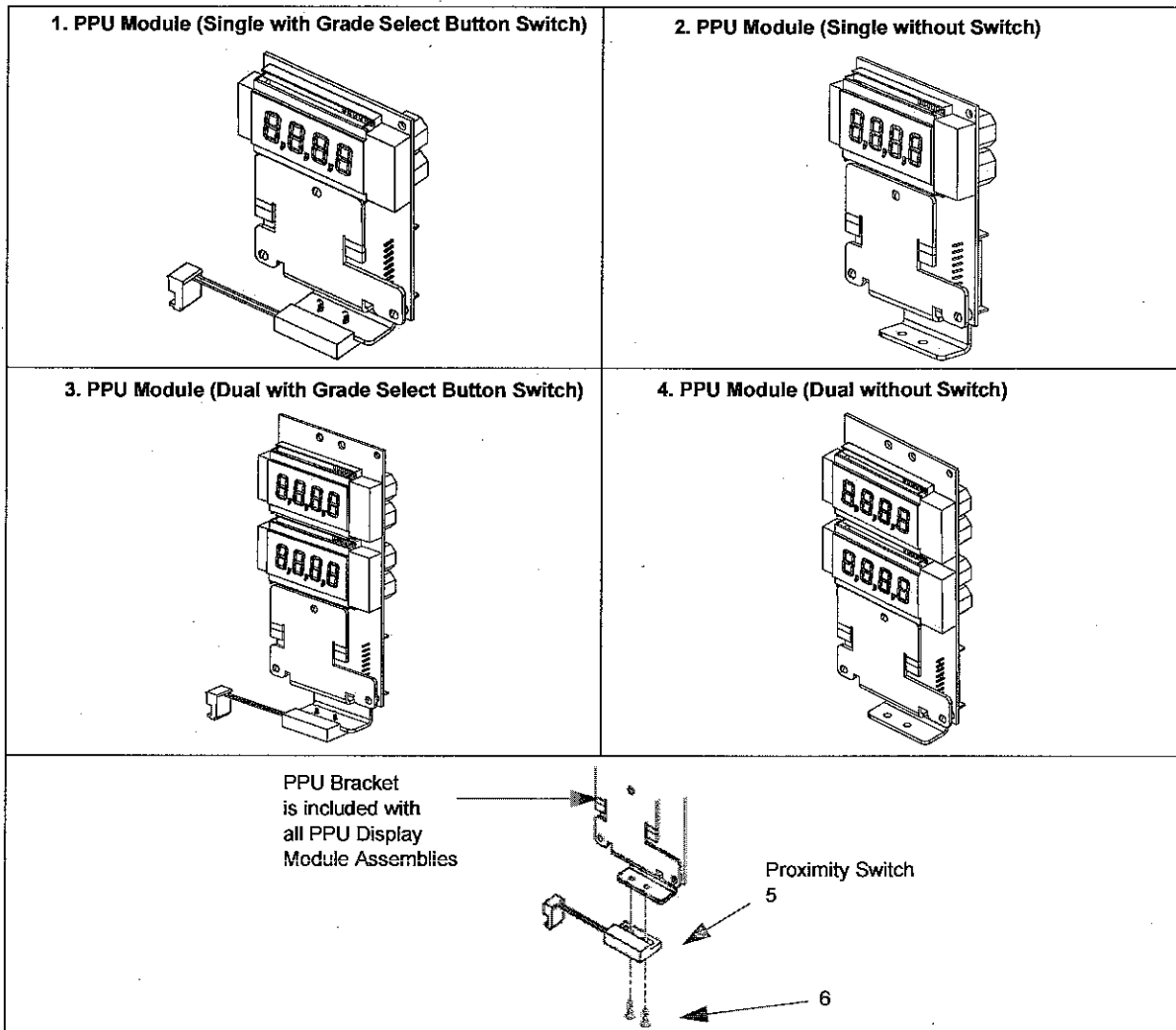


Item #	Description	Current Part	Previous Part	Quantity
1	PCA Door Node Assembly 4	M05835A003	M05835A001	1



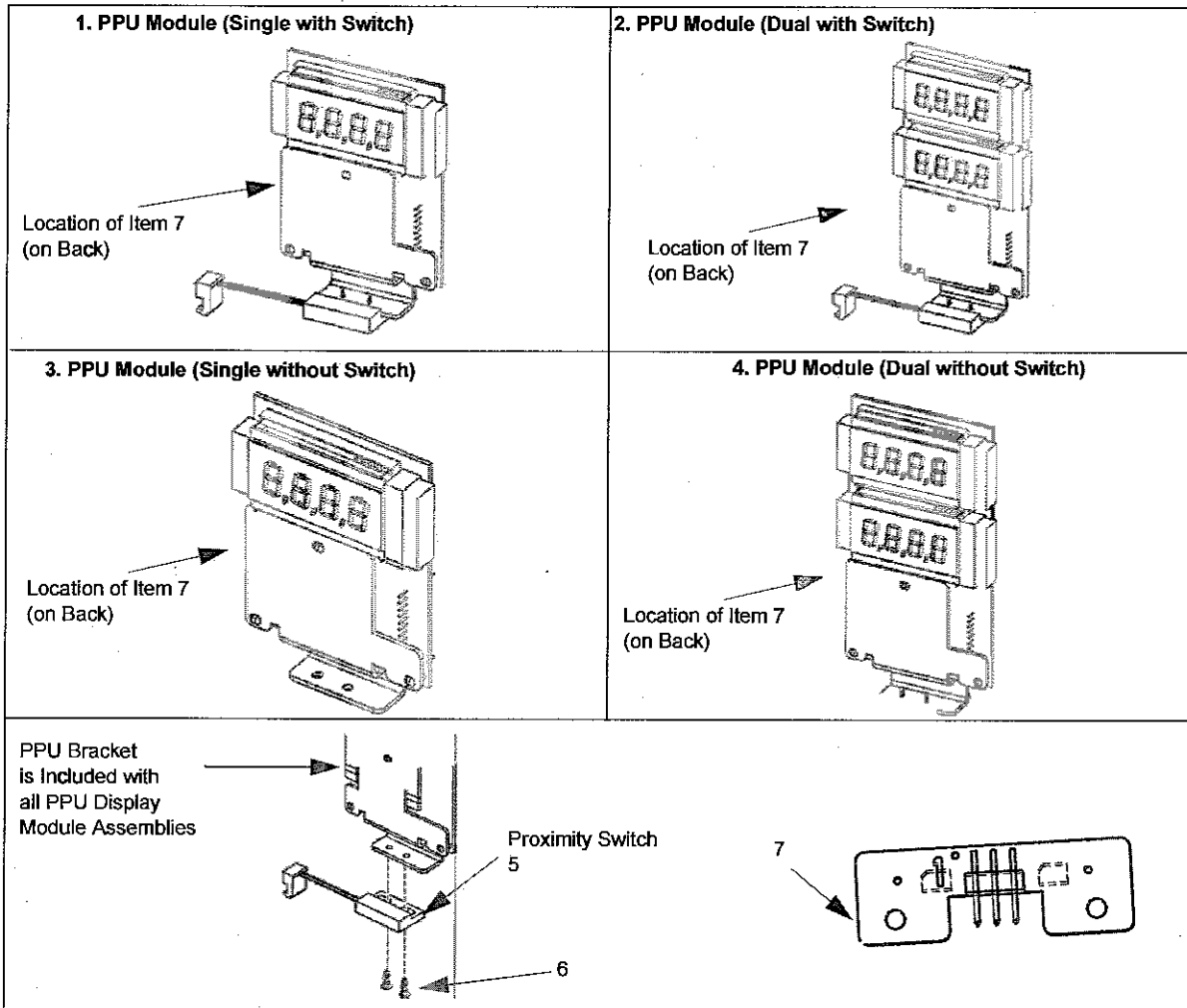
Item #	Description	Current Part	Previous Part	Quantity
1	Piece Parts, LCD Backlight	M04466B010	-	1

# PPU Display Module Assemblies (M02652A00X) (Prior to November 2004)



Item #	Description	Current Part	Previous Part	Quantity
1	PPU Display Module Assembly (Single with Switch)	M02652A001	M00350A009 M00350A001	1
2	PPU Display Module Assembly (Single without Switch)	M02652A002	M00350A002	1
3	PPU Display Module Assembly (Dual with Switch)	M02652A005	M00350A003	1
4	PPU Display Module Assembly (Dual without Switch)	M02652A006	M00350A006	1
5	Proximity Switch, Magnetic ( <i>Note: Used on both Encore 300 and 500 Series</i> )	Q12514-10	Q12514-08	1
6	• Support, Snap Lock Pin with Arrowhead	-	-	2
-	• PCA, Single PPU	M00065A001	-	1
-	• PCA, Dual PPU	M01303A001	-	1
-	• Lamp (Not Shown)	Q12448-04	-	2 per Single PPU 4 per Dual PPU

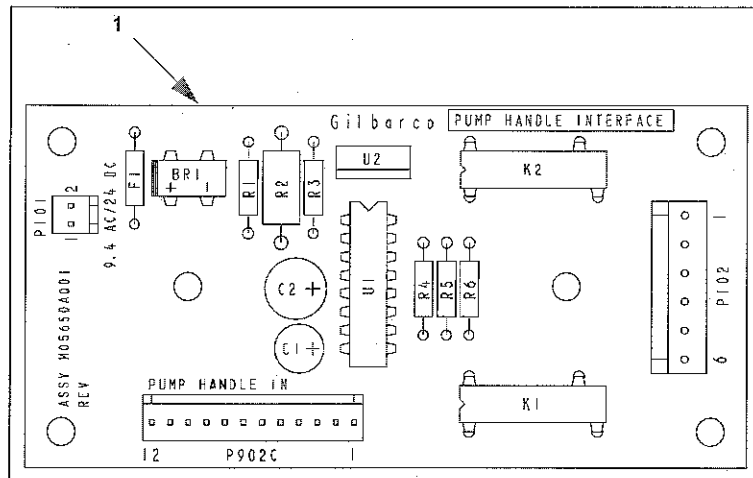
# PPU Display Module Assemblies (M04588A00X) (Post November 2004)



Item #	Description	Current Part	Previous Part	Quantity
1	PPU Display Module Assembly with Switch (Single)	M04588A001	-	1
2	PPU Display Module Assembly with Switch (Dual)	M04588A002	-	1
3	PPU Display Module Assembly without Switch (Single)	M04588A003	-	1
4	PPU Display Module Assembly without Switch (Dual)	M04588A004	-	1
5	Proximity Switch, Magnetic (Note: Used on both Encore 300 and 500 Series)	Q12514-10	-	1
6	• Support, Snap Lock Pin with Arrowhead	-	-	2
7	LED Board	M04466B003	-	1
	• PCA, Single PPU (used on PPU M04588A001 and M04588A003) (Not Shown)	M04329A001	-	1
	• PCA, Dual PPU (used on PPU M04588A002 and M04588A004) (Not Shown)	M04332A001	-	1

Note: M04588A00X PPU Display Assemblies are not backward compatible with M02652A001.

# Pump Handle Interface PCA

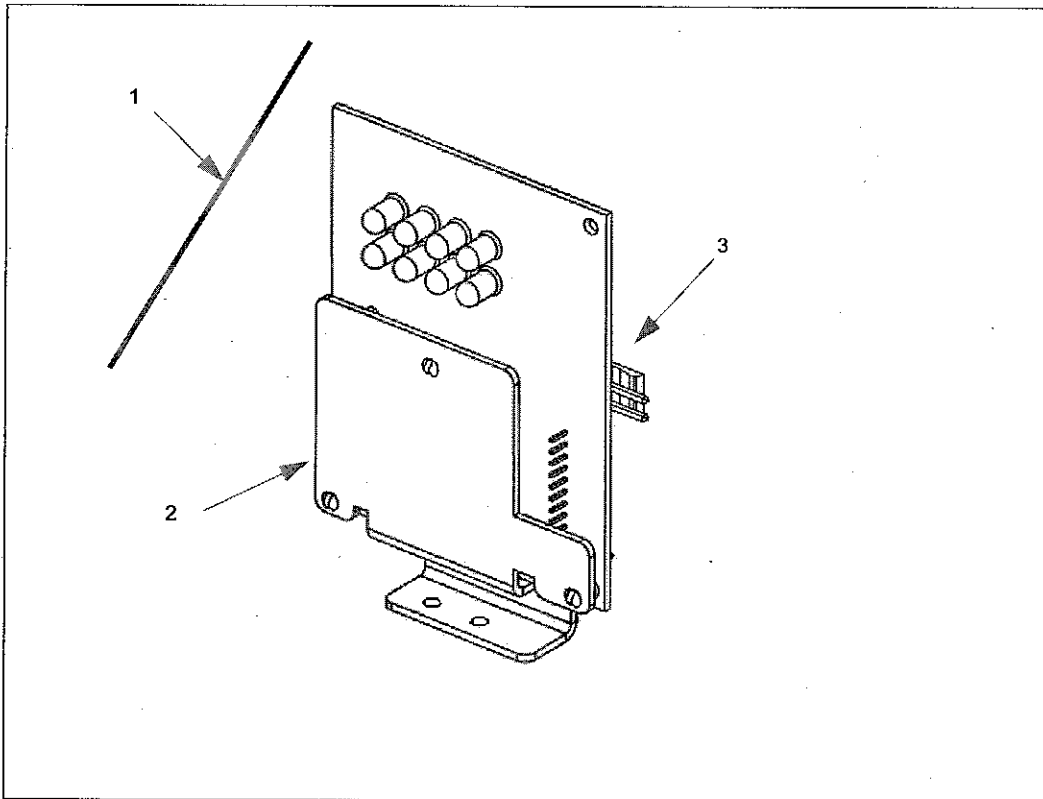


Item #	Description	Current Part	Previous Part	Quantity
1	Pump Handle Interface, PCA (See Note)	M05650A001	M04528A001 M02325A001	1

*Note: If either the cable (M02384A001) or PCA is being replaced, both new parts (cable and PCA) need to be ordered.*

# Satellite In-Use Indicator (Ultra-Hi only)

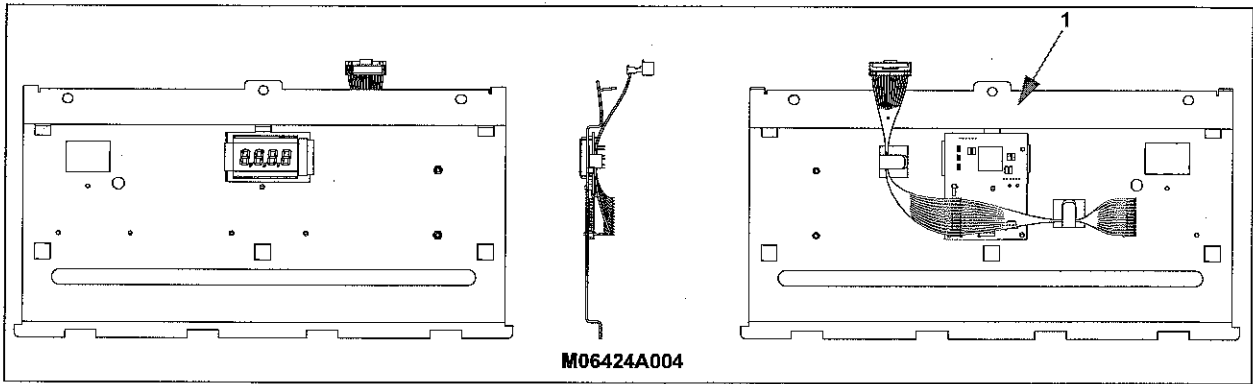
(Assembled in a PPU Position)



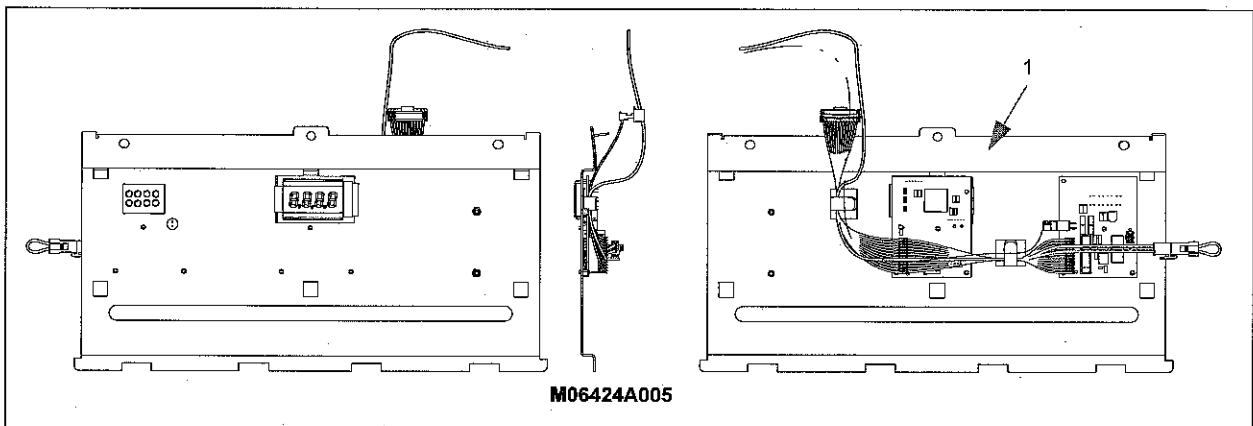
Item #	Description	Current Part	Previous Part	Quantity
1	Satellite In-use Indicator (See Note)	M02652A011	M02652A010	1
2	PPU Module Bracket	M00351B002	-	1
3	PCA, Satellite Indicator with Valve Control	M04570A001	M04202A001	1
-	• Screw, Pan Head, Ph Hd	-	-	3
-	• Nut, Hex with Ext Lock Washer 4-40 Thd	-	-	3
-	• Spacer, Hex 4-40 X 1.000 X 4-40	-	-	3

Note: M02652A011 is backward compatible only with cable M04633A001.

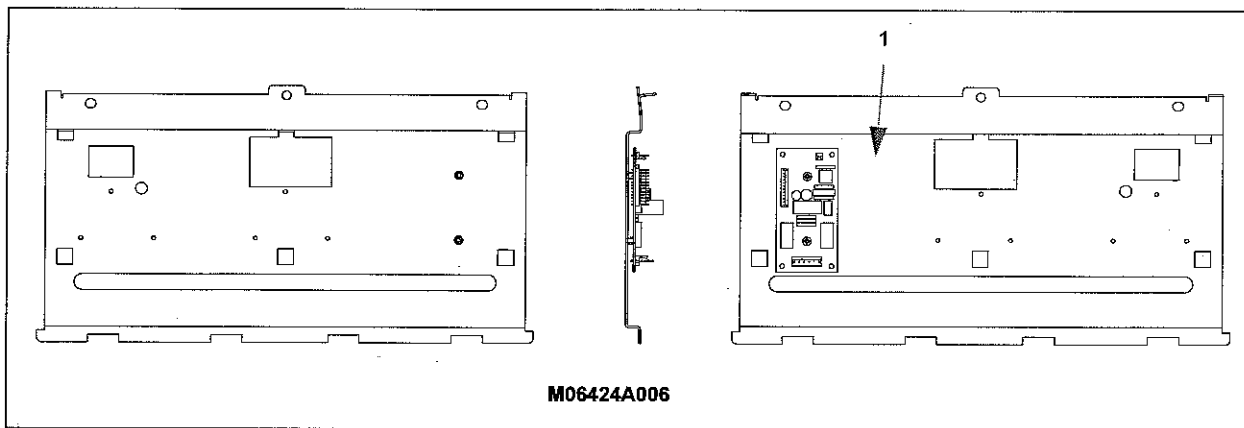
# Assembly, PPU Display Single



Item #	Description	Current Part	Previous Part	Quantity
1	Assembly, PPU Display Single	M06424A004	-	1

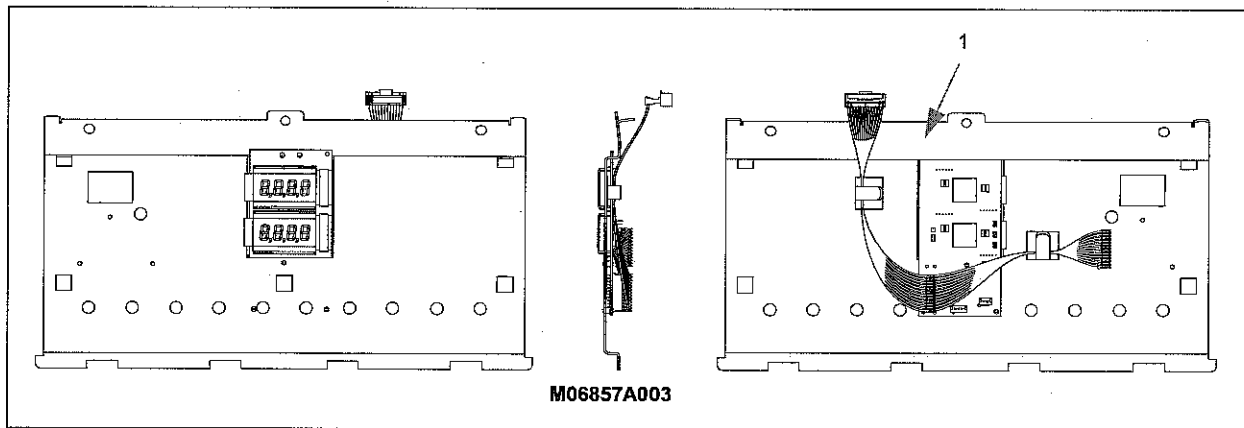


Item #	Description	Current Part	Previous Part	Quantity
1	Assembly, PPU Display Single	M06424A005	-	1

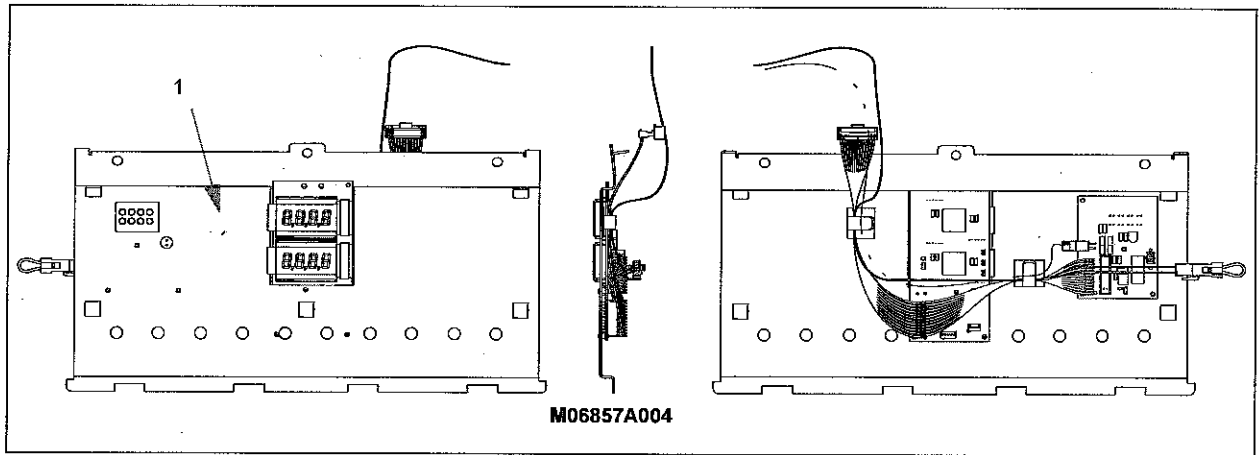


Item #	Description	Current Part	Previous Part	Quantity
1	Assembly, PPU Display Single	M06424A006	-	1

## Assembly, PPU Display Dual

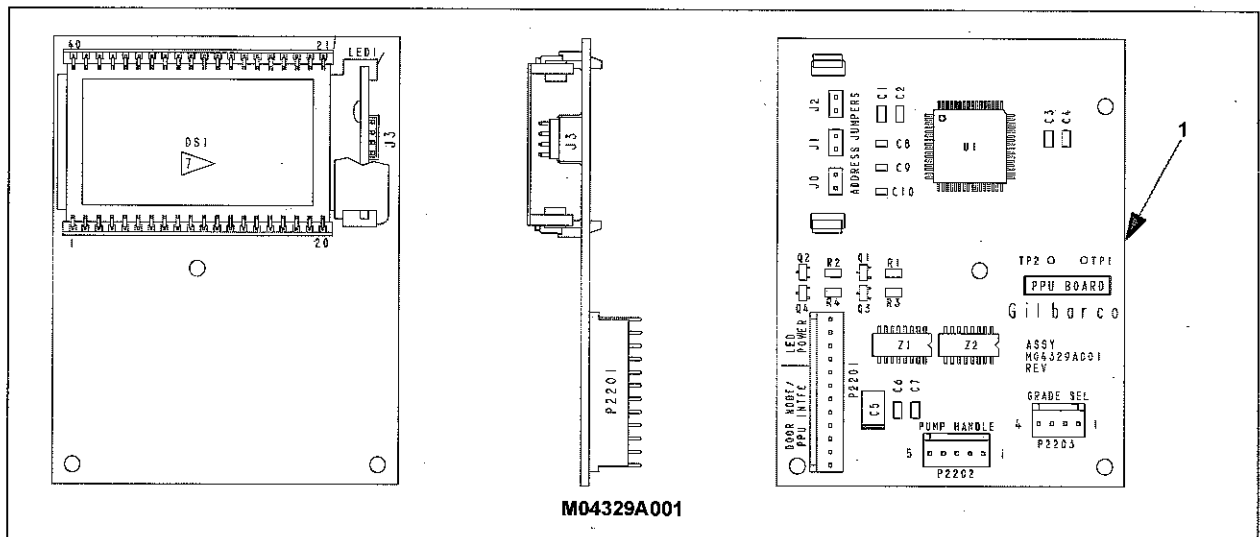


Item #	Description	Current Part	Previous Part	Quantity
1	Assembly, PPU Display Single	M06857A003	-	1



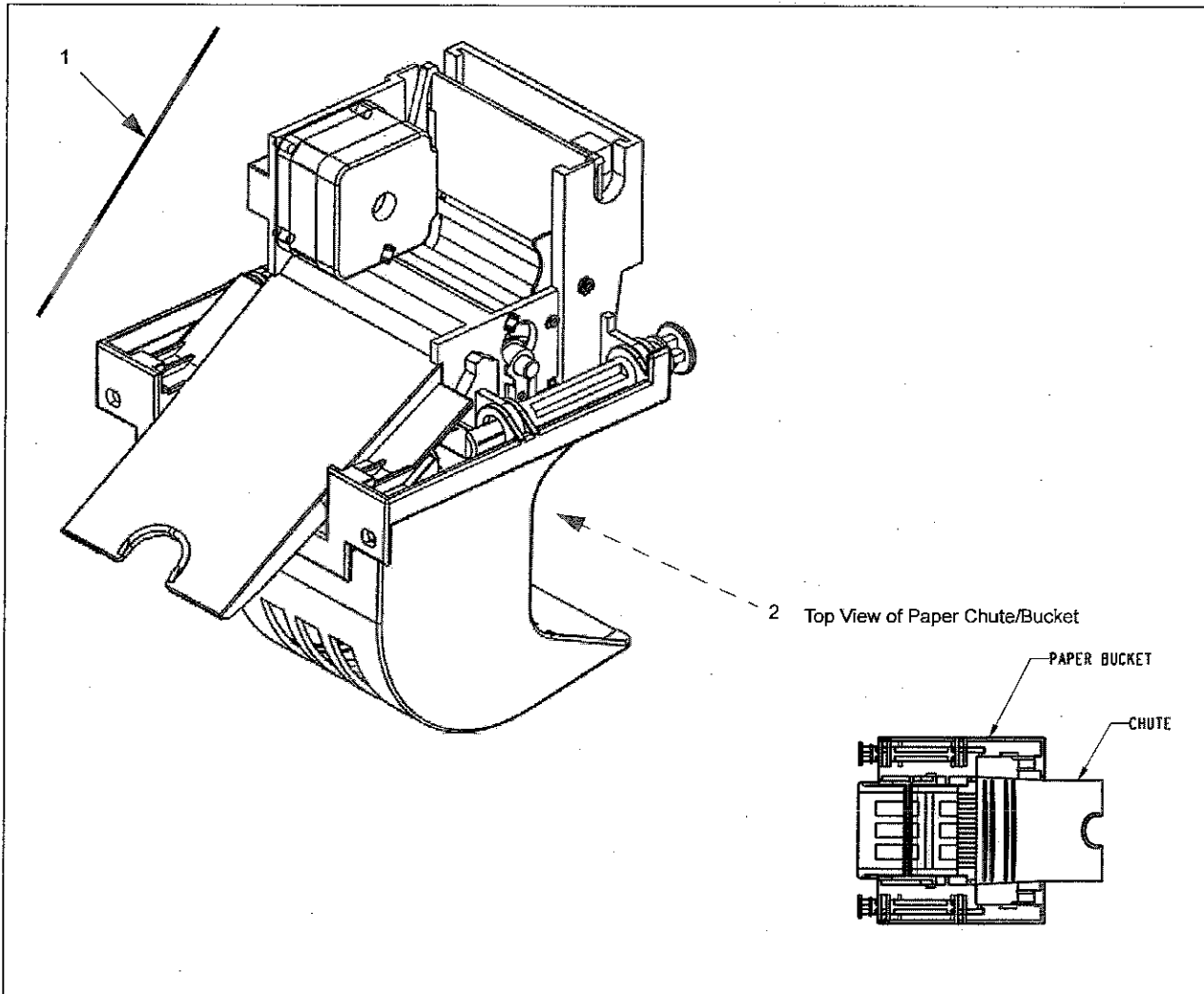
Item #	Description	Current Part	Previous Part	Quantity
1	Assembly, PPU Display Dual	M06857A004	M06757A004	1

## PCA Single PPU



Item #	Description	Current Part	Previous Part	Quantity
1	PCA Single PPU	M04329A001	-	1

# USB Printer Assembly (M04119A001) (Post November 2004)

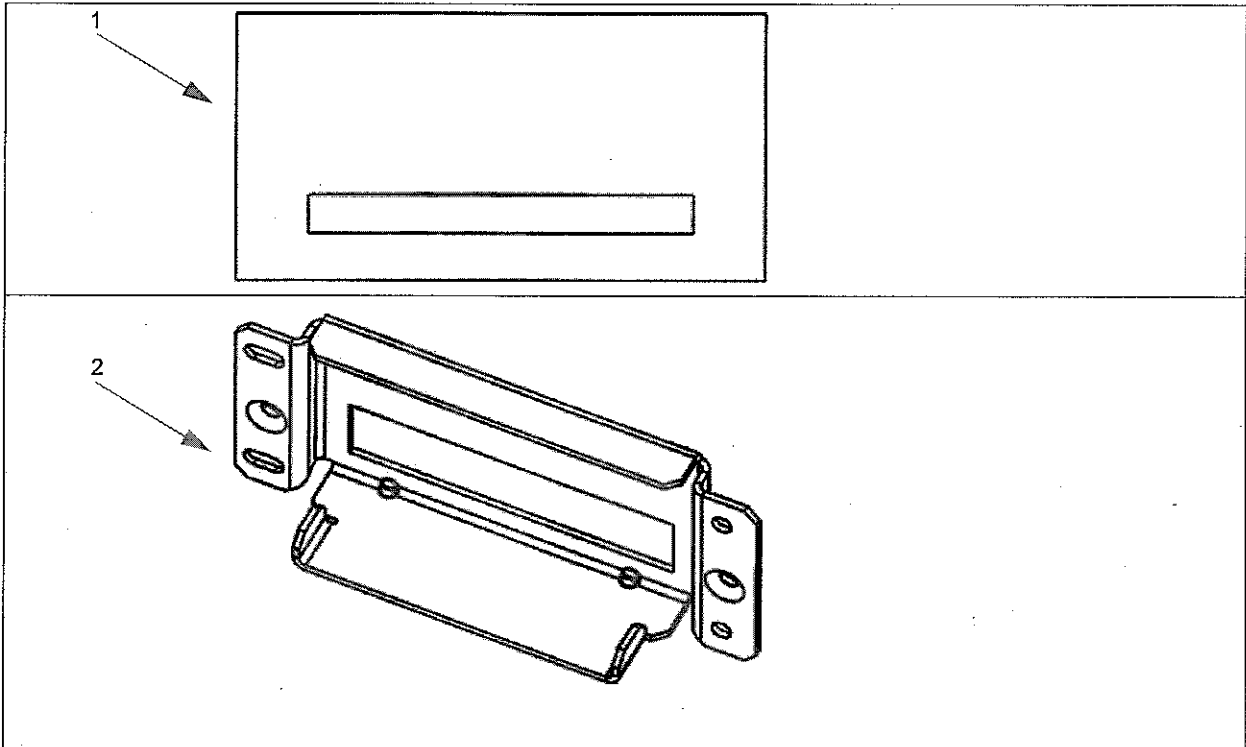


Item #	Description	Current Part	Previous Part	Quantity
1	USB Printer Assembly	M04119A001	-	1
2	Paper Chute/Bucket	M04220A001	-	1
	4-inch Printer Paper, Thermal, Blank (See Notes 1 and 2) (Not Shown)	M04809B012	M04809B002	1
	4-inch Printer Paper, Thermal, Low Marks (See Notes 1, 2, 3) (Not Shown)	M04809B014	M04809B004	1
	Cleaning Card	M05194B001	-	1

**Notes:**

1. Customers can use M04809B016 High Speed thermal paper supplied by Fujitsu, NCR and or Wallace but Gilbarco recommends to use new M04809B012 or M04809B014.
2. Used on USB Printers M04119A001 only.
3. Customers must use M04809B004 paper along with USB Printer M04119A001 in order to get Paper Low Status at the POS.

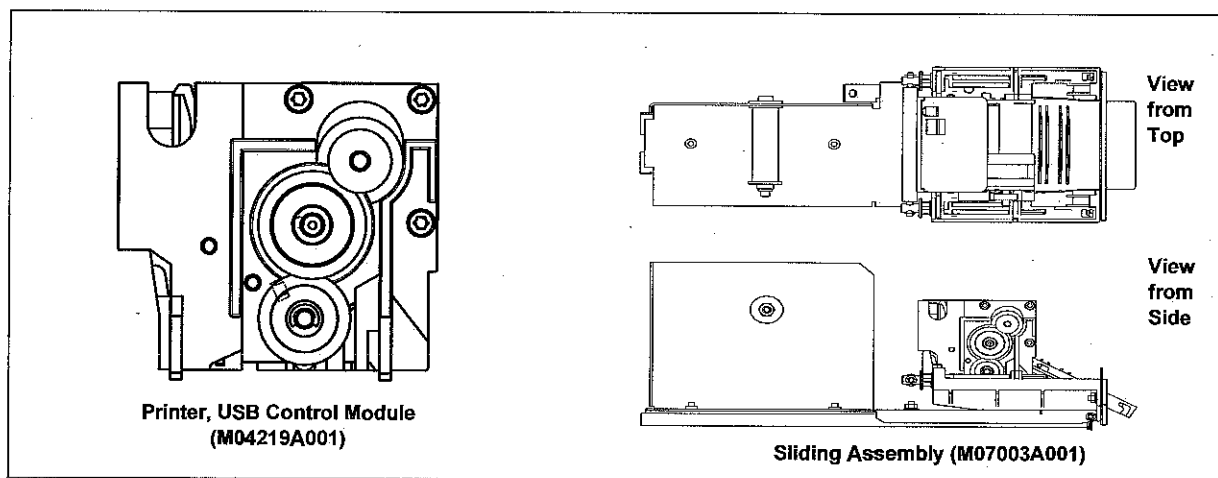
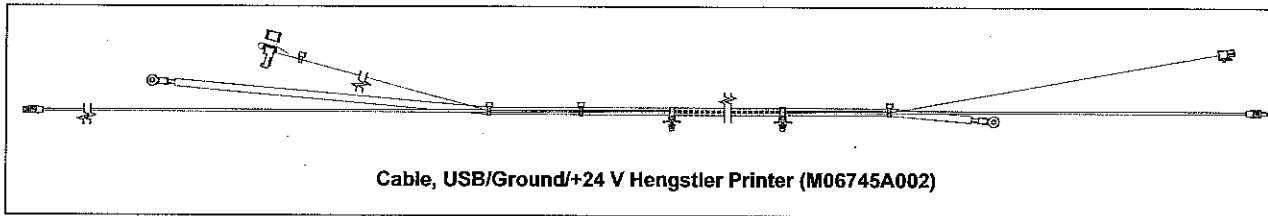
# Printer Parts (USB) (Post November 2004)



Item #	Description	Current Part	Quantity
1	Printer Gasket (See Note 2)	M00325B002	1
2	Printer Bezel Mtg Bracket (See Notes 1 and 2)	M03534B001	1

Notes:  
 1. M03534B001 Printer Bezel Mounting Bracket is not backward compatible with M00317A001 Printer Assembly.  
 2. Used with M04119A001 USB Printer Assembly.

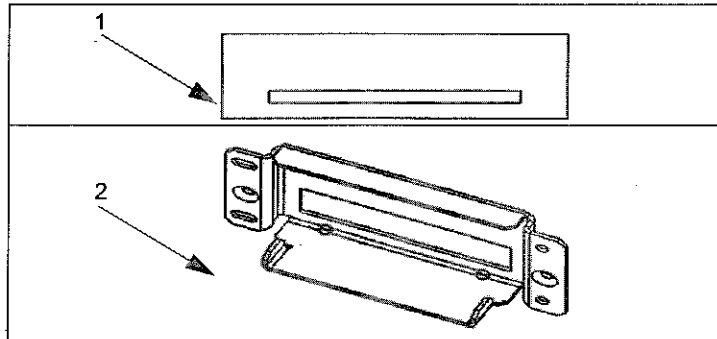
# USB Printer Assembly (M06972A001) - Post April 2006 (Encore S)



*Note: You can use the current Hengstler printer mechanism as a spare.*

Item #	Description	Current Part	Quantity
1	6-inch Printer Paper, Thermal, Blank	M04809B017	1
2	6-inch Printer Paper, Thermal, Low Marks	M04809B018	1
3	Cleaning Card	M05194B001	1
4	Cable, USB/Ground/+24 V Hengstler Printer	M06745A002	1

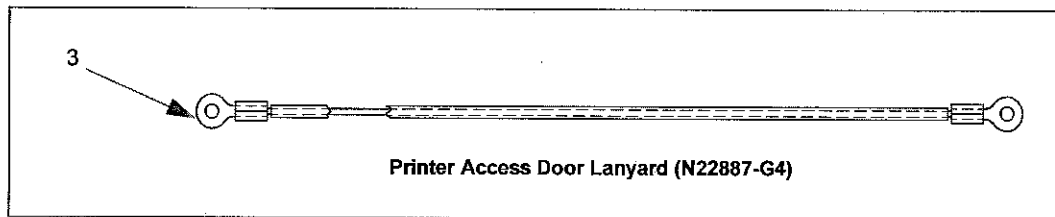
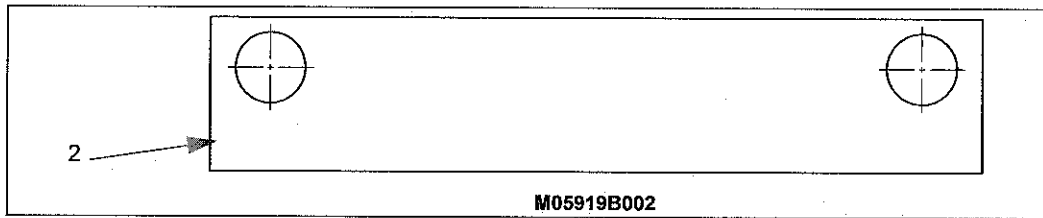
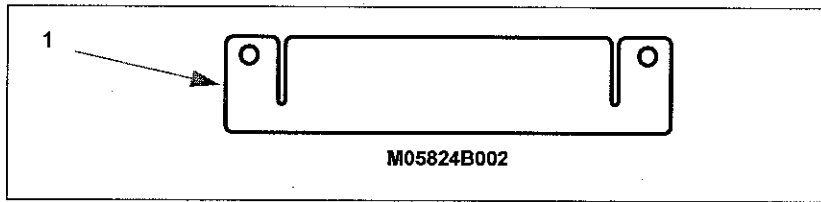
## Printer Parts (USB) (Post November 2004)



Item #	Description	Current Part	Quantity
1	Printer Gasket (See Note 2)	M00325B002	1
2	Printer Bezel Mtg Bracket (See Notes 1 and 2)	M03534B001	1

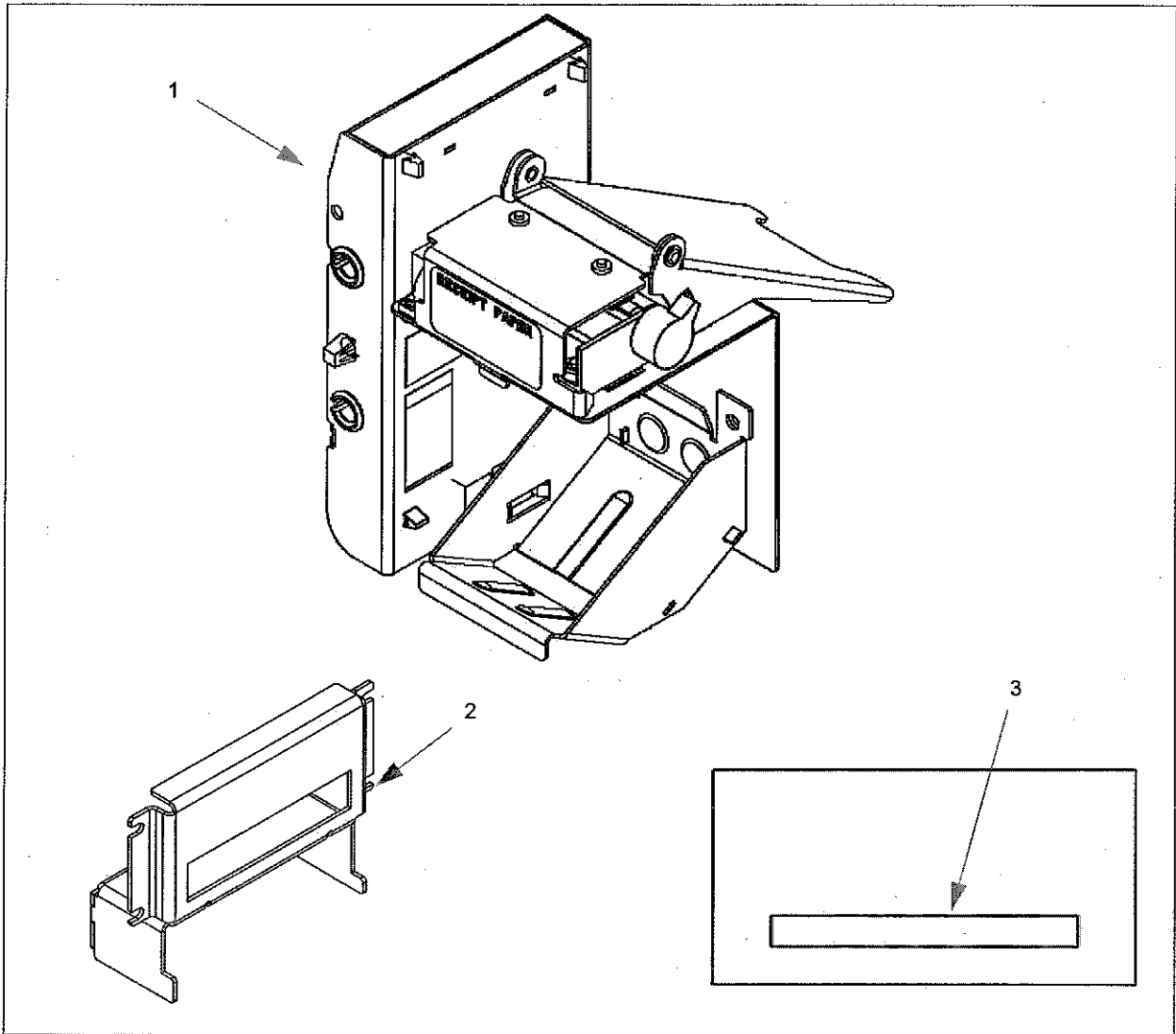
**Notes:**  
 1. M03534B001 Printer Bezel Mounting Bracket is not backward compatible with M00317A001 Printer Assembly.  
 2. Used with M04119A001 USB Printer Assembly.

# Printer Parts (USB) (Encore S Series - Monochrome)



Item #	Description	Current Part	Previous Part	Quantity
1	Bracket Chute Gasket	-	M05824B002	1
2	Gasket Printer Chute	-	M05919B002	1
3	Printer Access Door Lanyard	N22887-G4	-	1

# Printer Module Assembly (M00317A001) (Prior to November 2004)



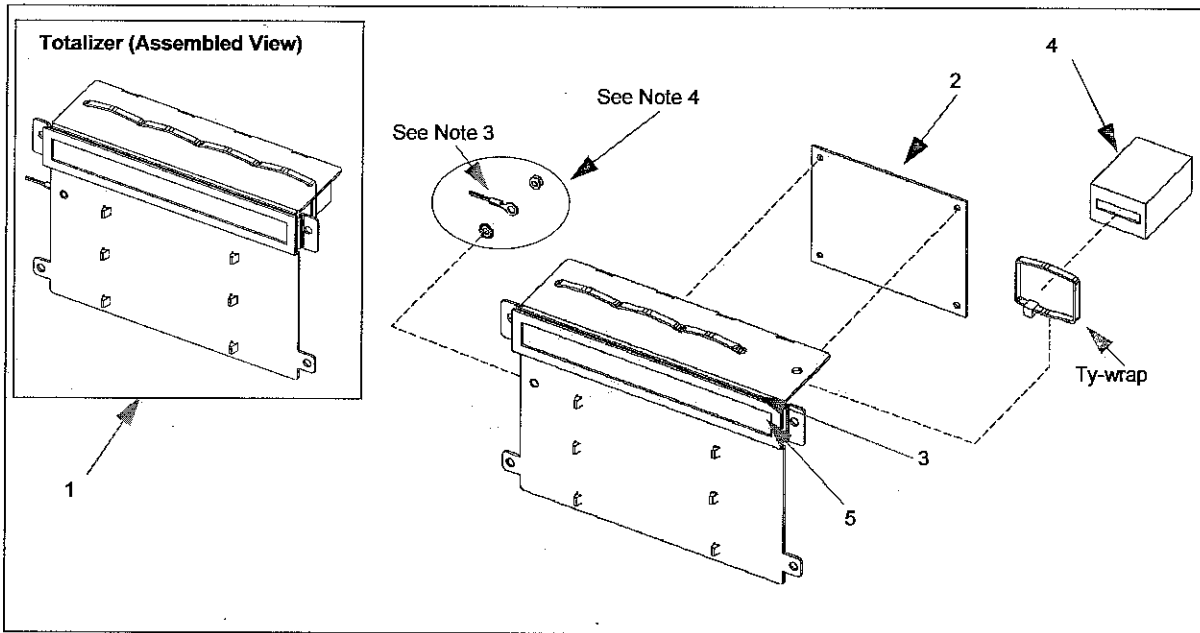
Item #	Description	Current Part	Previous Part	Quantity
1	Printer Module Assembly (See Note 1)	M00317A001	-	1
2	Printer Bracket	M00318B001	-	1
3	Printer Gasket	M00325B001	-	-
	Printer Paper, High Speed Thermal (See Note 2) (Not Shown)	M04809B016	Q12475-02	1
	Cleaning Card (See Note 2) (Not Shown)	Q13400	-	1

**Notes:**

1. M00317A001 is not forward compatible.

2. Recommend to use High Speed thermal paper supplied by Fujitsu, NCR, and or Wallace. For additional information, refer to PT-1798 Consumable List.

# Totalizer Assembly

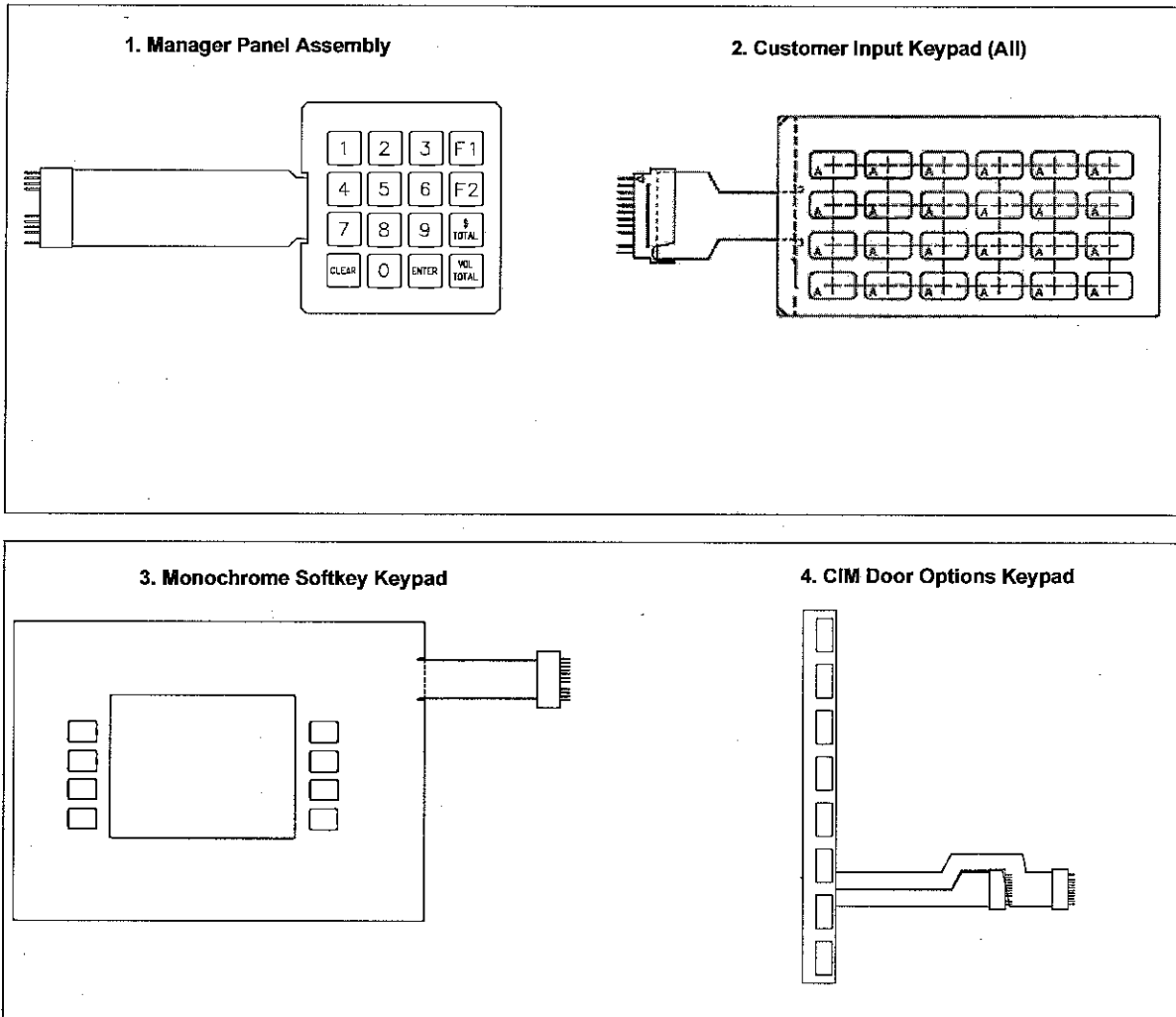


Item #	Description	Current Part	Previous Part	Quantity
1	2 Electro-mechanical Totalizer (Reference Only)	M00346A002	-	1
	3 Electro-mechanical Totalizer (Reference Only)	M00346A003	-	1
	4 Electro-mechanical Totalizer (Reference Only)	M00346A004	-	1
2	PCA Totalizer Node	M00077A001	-	1
3	Totalizer Lens (See Note 1)	M00359A001	-	1
4	Totalizer Electro-mechanical (See Note 2)	M00455A004	M00515A002	2-4
5	Gasket, Totalizer	M00343B001	-	1

**Notes:**

1. When replacing lens, use a new gasket (See item 5).
2. Quantities will vary per assembly.
3. Refer to "Cable Assemblies (E500/Ultra-Hi/E550/Encore S)" on page 5-1 for additional information.
4. Ground wire, washer, ring term, and nut are not used on new Totalizers.

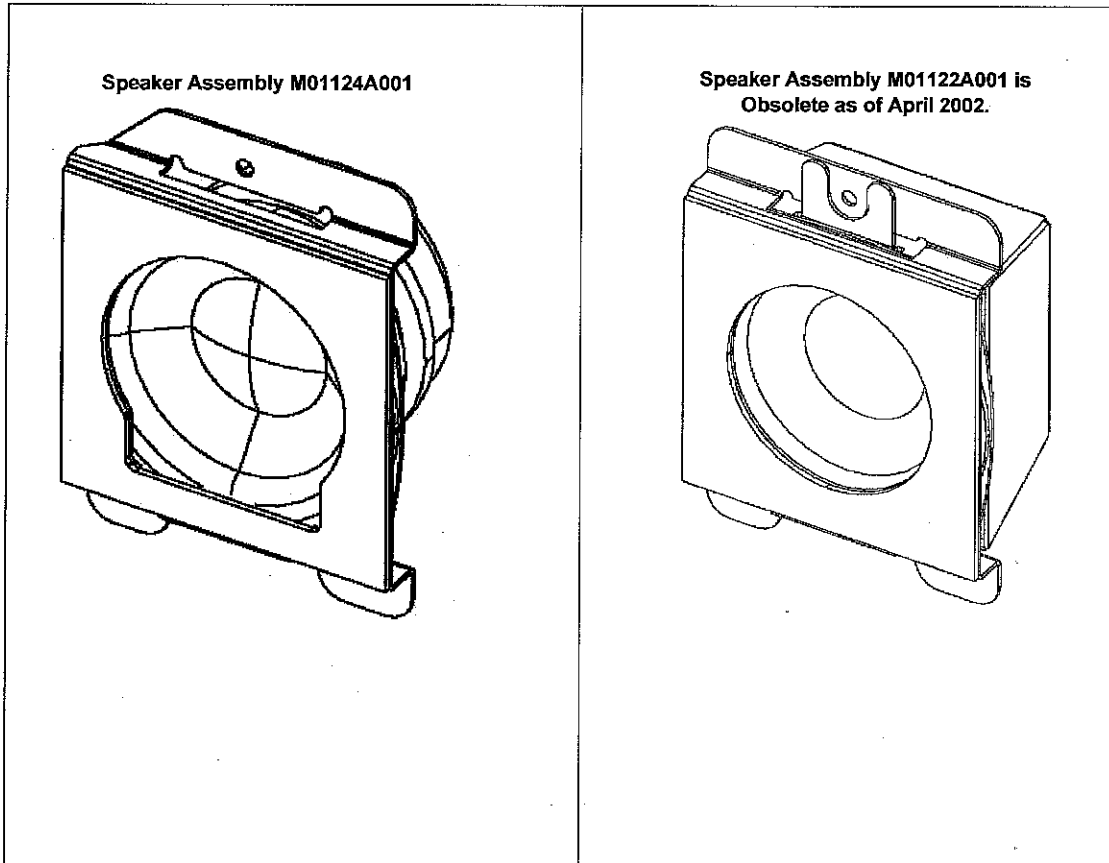
# Keypad Assemblies



Item #	Description	Current Part	Previous Part	Quantity
1	Keypad Manager Panel Assembly	M00147A001	-	1
2	Customer Input Keypad	M00141B002	M00141A001	1
3	Monochrome Softkey Keypad (See Note)	M01254B003	M00143B001	1
4	CIM Door Options Keypad (See Note) (Canada Only)	M01109B003	M01109B002	1
5	CIM Door Option Start/Stop/Call Keypad (Domestic Only) (Not Shown)	M01735B001	-	1

*Note: Keypad graphics are order entry items. Contact a Gilbarco representative before placing order. No more than (2) layers of graphics should be applied over a keypad.*

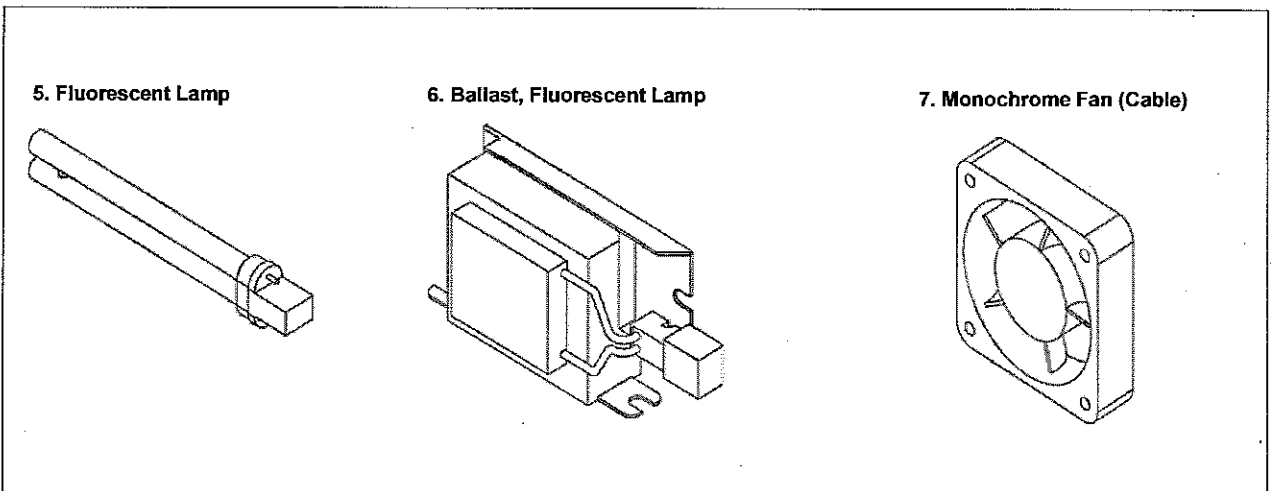
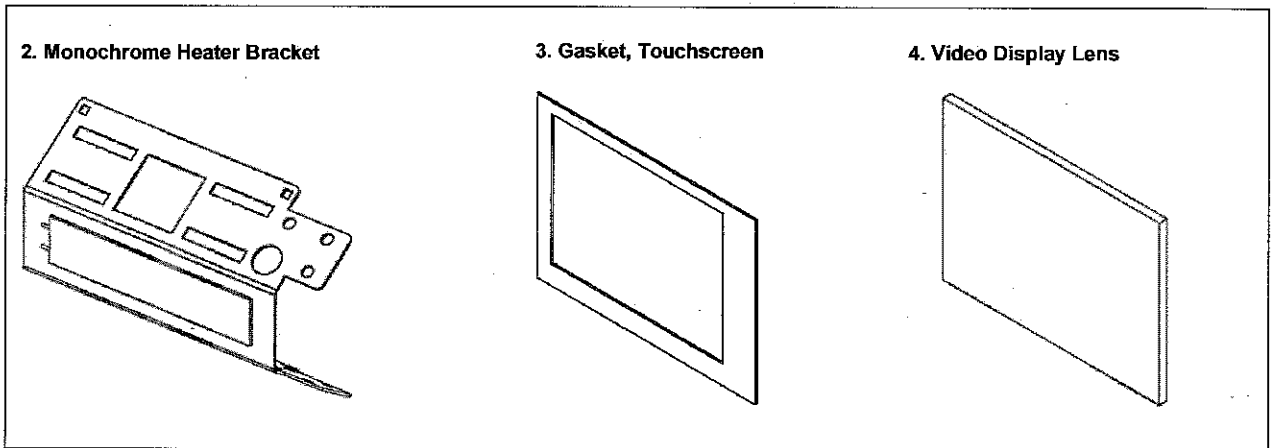
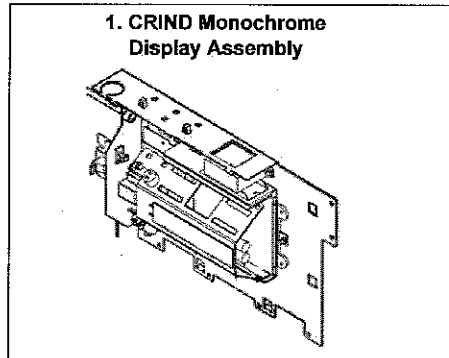
# Speaker Assembly



Item #	Description	Current Part	Previous Part	Quantity
1	Speaker Assembly	M01124A001	M01122A001	1
-	Nut, Hex with Ext Lock Washer	-	-	4

# CRIND Monochrome Display Assembly

(Fluorescent Backlight Version) (Units built before July 14, 2001)

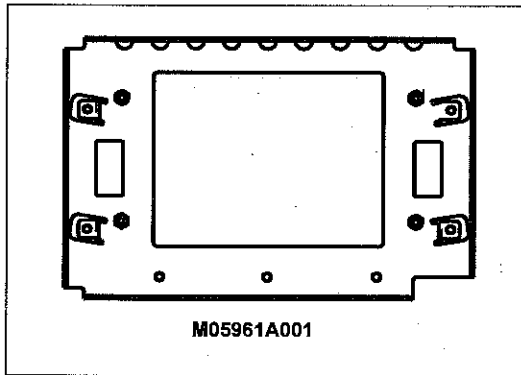


Item #	Description	Current Part	Previous Part	Quantity
1	CRIND Monochrome Display Assembly (Fluorescent Backlight Version Only) (No Longer Available)	(See Notes 1 and 2)	M00696A001	1
2	Monochrome Heater Bracket Assembly	(See Note 1)	M01083A001	1

Item #	Description	Current Part	Previous Part	Quantity
3	Gasket, Touchscreen	(See Note 1)	R20682-01	1
4	Video Display Lens	(See Note 1)	M00683B001	1
5	Fluorescent Lamp	(See Note 1)	Q12929-02	1
6	Ballast, Fluorescent Lamp	(See Note 1)	Q13164-07	1
7	Monochrome Fan (Cable)	(See Note 1)	M00822B002	1
8	Bracket, Monochrome	M05961A001		

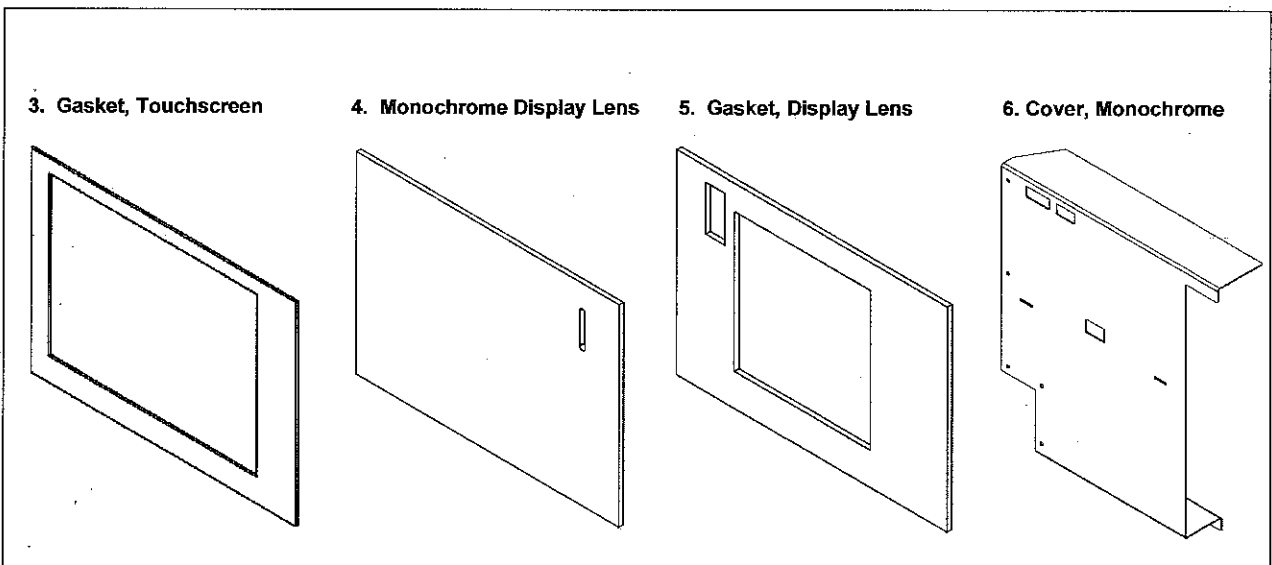
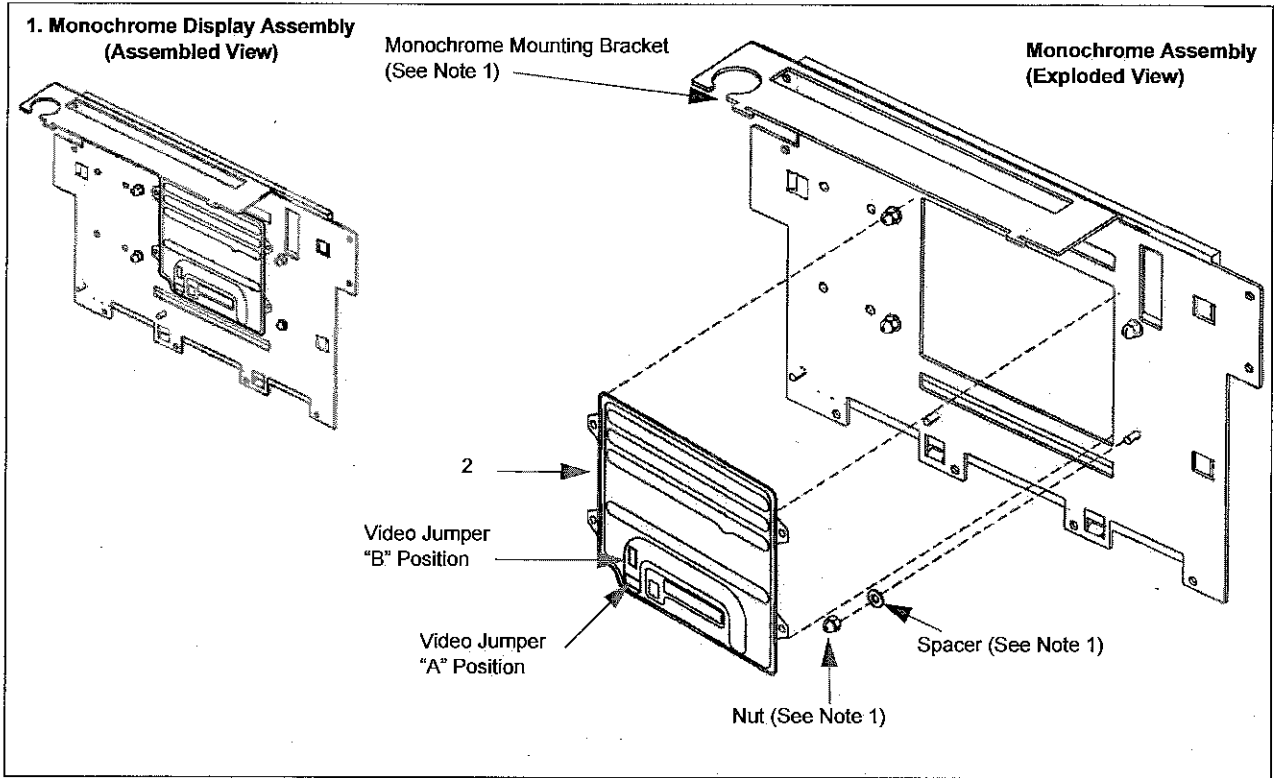
**Notes:**

1. No longer in production as of July 14, 2001. Contact a Gilbarco representative before ordering.
2. A conversion kit to the new display is required. The following conversion kits are available:
  - Part number M02098K001 - Encore Monochrome Conversion kit without Display.
  - Part number M02098K002 - Encore Monochrome Conversion kit with Display.



# CRIND Monochrome Display Assembly

*Note: No longer in production. Available for spares.*

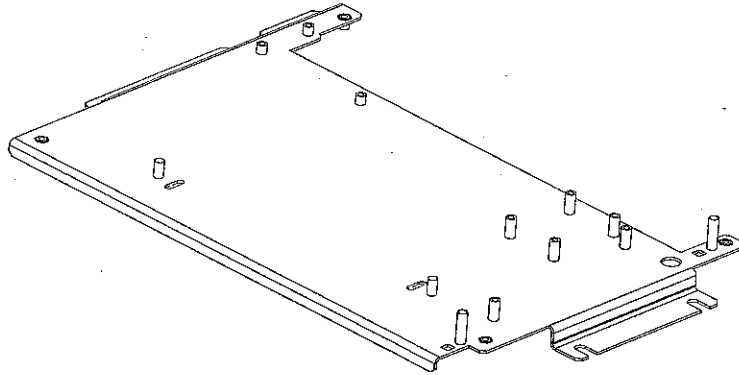


Item #	Description	Current Part	Previous Part	Quantity
1	CRIND Monochrome Display Assembly (Reference Only) (See Note 1)	M01653A001	-	1
2	Monochrome Display (See Notes 2, 3 and 4) (Backlight Always ON)	M02636A001	<i>Note: See previous parts below</i>	1
-	Monochrome Display (Interchangeable, Backlight Always ON)	-	Q13908-06	1
-	Monochrome Display (Interchangeable, Backlight Always ON)	-	Q13908-05	1
-	Monochrome Display (Interchangeable, Backlight Always ON)	-	Q13908-03	(See Note 5)
-	Monochrome Display (Interchangeable, Backlight Always ON)	-	Q13908-02	(See Note 5)
-	Monochrome Display (Backlight Ambient Sensitive, OFF in Day Light, ON at Night)	-	Q13908-01	(See Note 5)
3	Gasket, Touchscreen	R20682-01	-	1
4	Monochrome Display Lens (See Note 6)	M01255B001	-	1
5	Gasket, Display Lens (See Note 6)	M01360B001	-	1
6	Cover, Monochrome (Reference Only)	M01649B001	-	1
-	Monochrome Single Side Heater Kit (Refer to MDE-4177 Monochrome Display Heater Retrofit kit manual for additional information) (Not Shown)	M03063K001	-	1
-	Monochrome Dual Side Heater Kit (Refer to MDE-4177 Monochrome Display Heater Retrofit kit manual for additional information) (Not Shown)	M03063K002	-	1

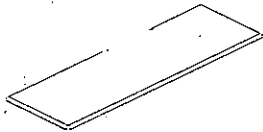
**Notes:**

1. Monochrome Mounting Bracket M01648A001, nuts, spacers, along with item 2-Monochrome Display and item 5-Gasket Display Lens are a part of item 1-Monochrome Display Assembly.
2. Do not remove plastic piece off Monochrome Display. This piece is used for Rain Shield "see attached sticker ON display for warning".
3. Monochrome Display M02636A001 is currently in production. This display replaces all. Note: Backlight is "Always ON".
4. The jumper for video source on Encore 500 is in position "A" and for The Advantage and Encore 300 it is in position "B".
5. Monochrome Displays Q13908-03, Q13908-02, and Q13908-01 are no longer available.
6. When replacing item 4-Monochrome Display Lens always use item 5-Gasket Display Lens.

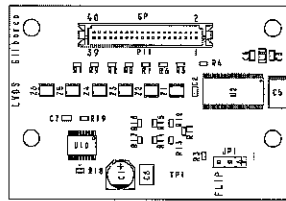
# CRIND Color Display Assembly



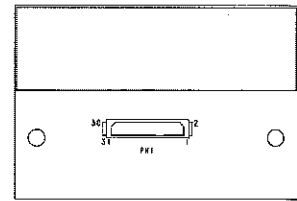
1. Bracket, Color Display



2. Cover Inverter Color Display



COMPONENT SIDE

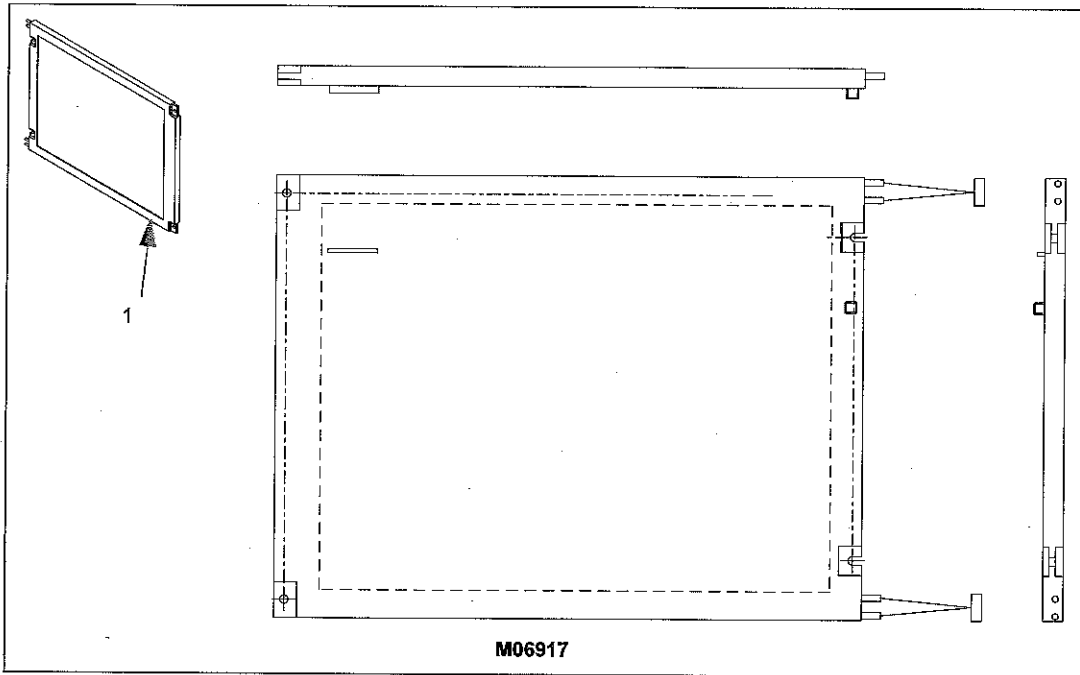


WIRING SIDE

3. PCA, LVDS

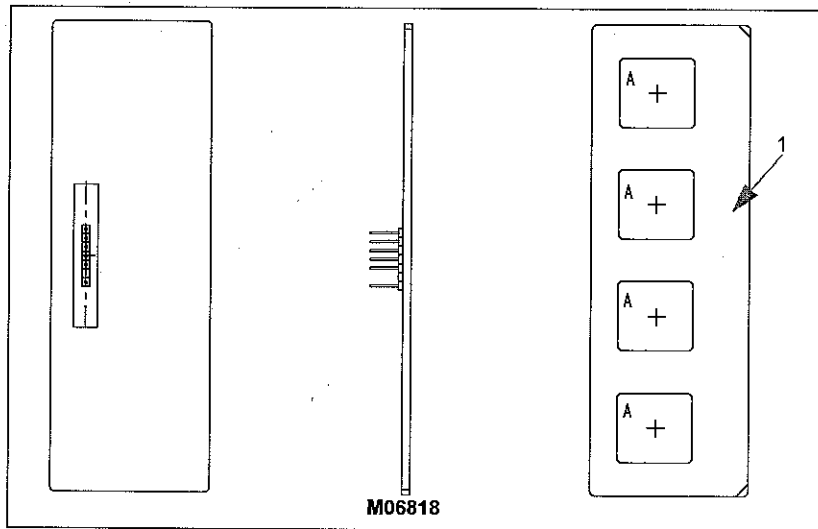
Item #	Description	Current Part	Previous Part	Quantity
1	Color Display Bracket 10.4"	M06841A001	-	1
2	Cover Inverter Color Display	M06955B001	-	1
3	PCA, LVDS	M06605A001	-	1

# Display Color LCD 10.4-inch Monitor



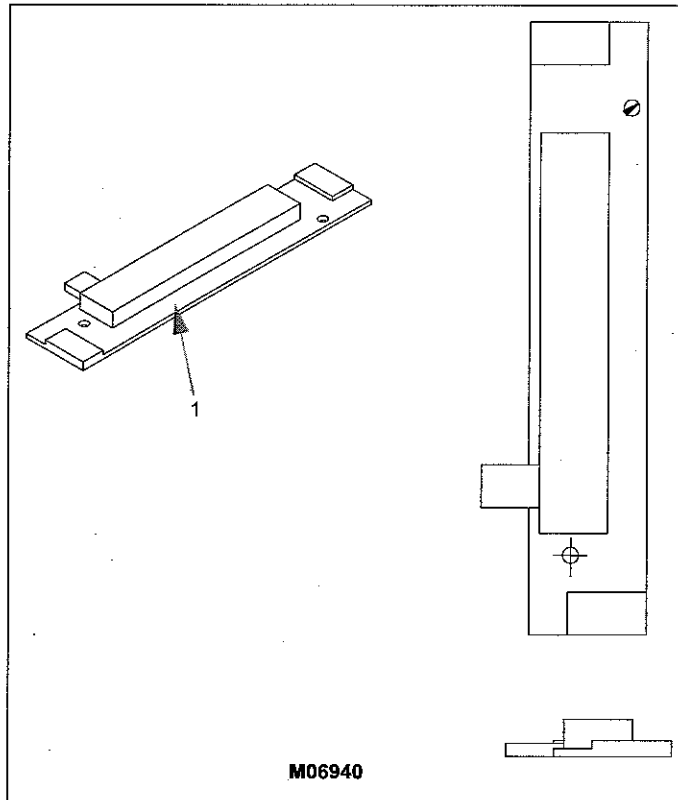
Item #	Description	Current Part	Previous Part	Quantity
1	Display Color LCD 10.4-inch Monitor	M06917A001	-	1

# Keypad Softkey Color 10.4



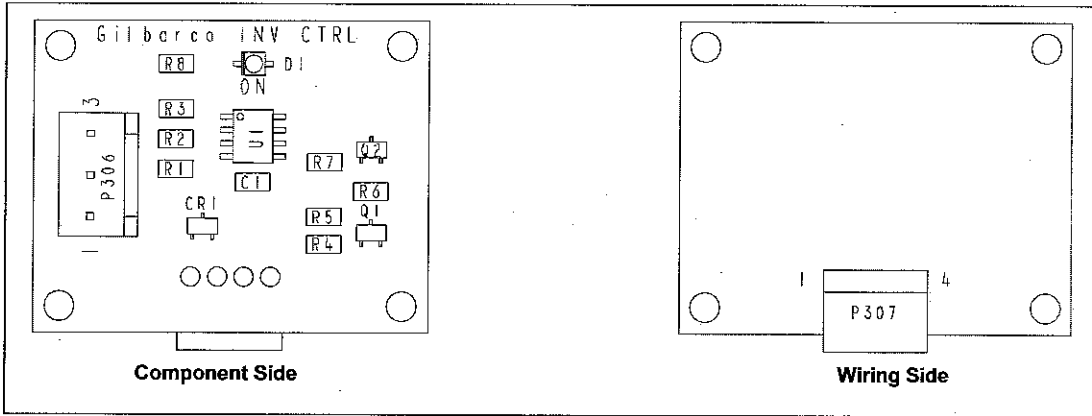
Item #	Description	Current Part	Previous Part	Quantity
1	Keypad Softkey Color 10.4"	M06818B001	-	1

# Inverter DC to AC Module



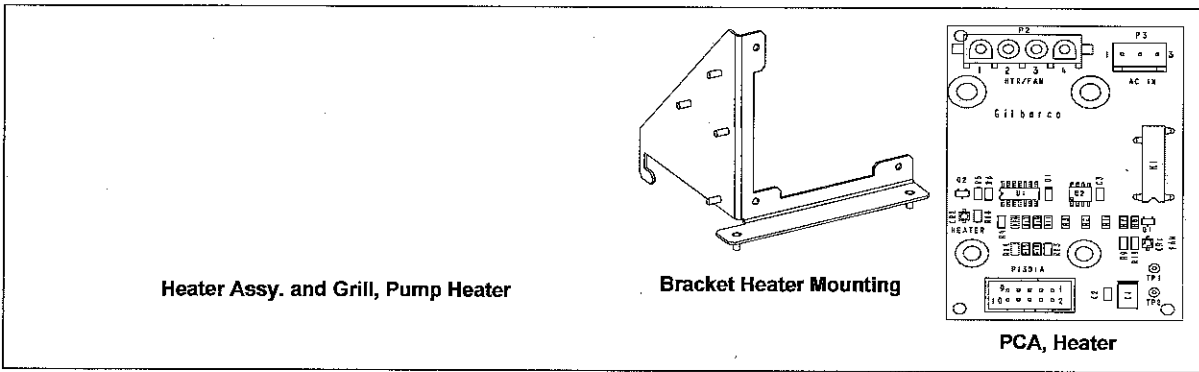
Item #	Description	Current Part	Previous Part	Quantity
1	Inverter DC to AC Module	M06940A001	-	1

# PCA E2 Display Control



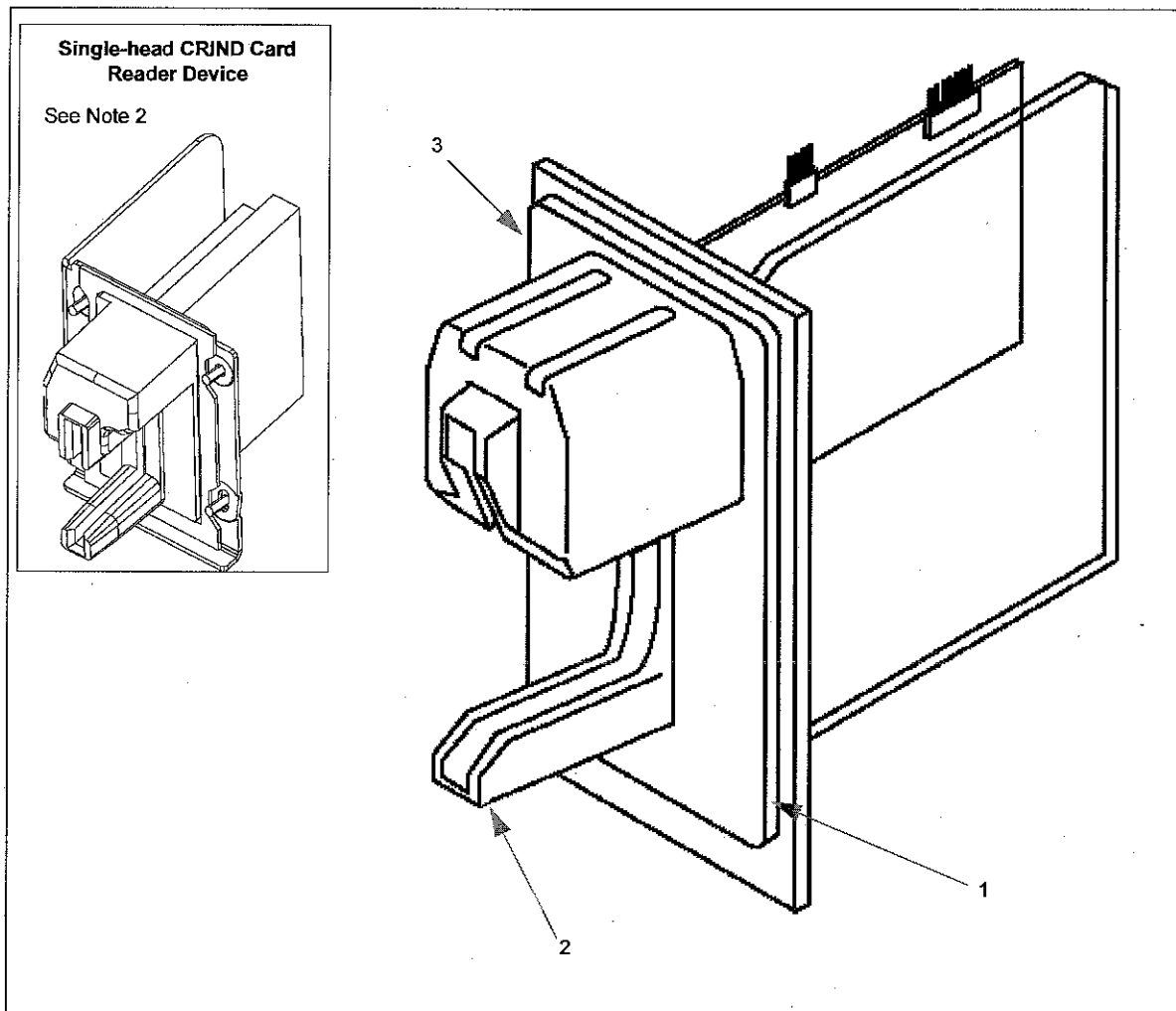
Item #	Description	Current Part	Previous Part	Quantity
1	PCA E2 Display Control	M06838A001	-	1

# Heater/Fan Assembly



Description	Current Part	Previous Part	Quantity
Assy, Heater/Fan	M07333A001	-	1

# Dual Head Card Reader



Item #	Description	Current Part	Previous Part	Quantity
	Card Reader, Dual Head (Reference Only) (See Notes 1 and 2)	M02136B001	Q11489-06 (See Note 2)	1
1	Card Reader, Gasket (See Note 1)	N23505-02	-	1
2	Card Reader, Bracket (See Note 1)	M07574B001	M01180B003	1
3	Card Reader, Gasket (See Note 1)	M00682B001	-	1
4	Cable, ESD Ground (See Note 1) (Not Shown)	(See Note 3)	-	1
5	Cleaning Card (Card Reader) (See Note 4) (Not Shown)	Q11482	-	1

**Notes:**

1. Dual Head Card Reader kit M02139K001 include items 1 through 4.
2. Single Head Card Reader was discontinued in production on January 2002. Use kit M02139K001 to replace old CRIND Card Reader Q11489-06. For more information, refer to MDE-4080 Dual Head Card Reader Installation Instructions.
3. Refer to "Cable Assemblies (E500/Ultra-Hi/E550/Encore S)" on page 5-1 for additional information.
4. Refer to PT-1798 Consumable Parts Manual for ordering information.

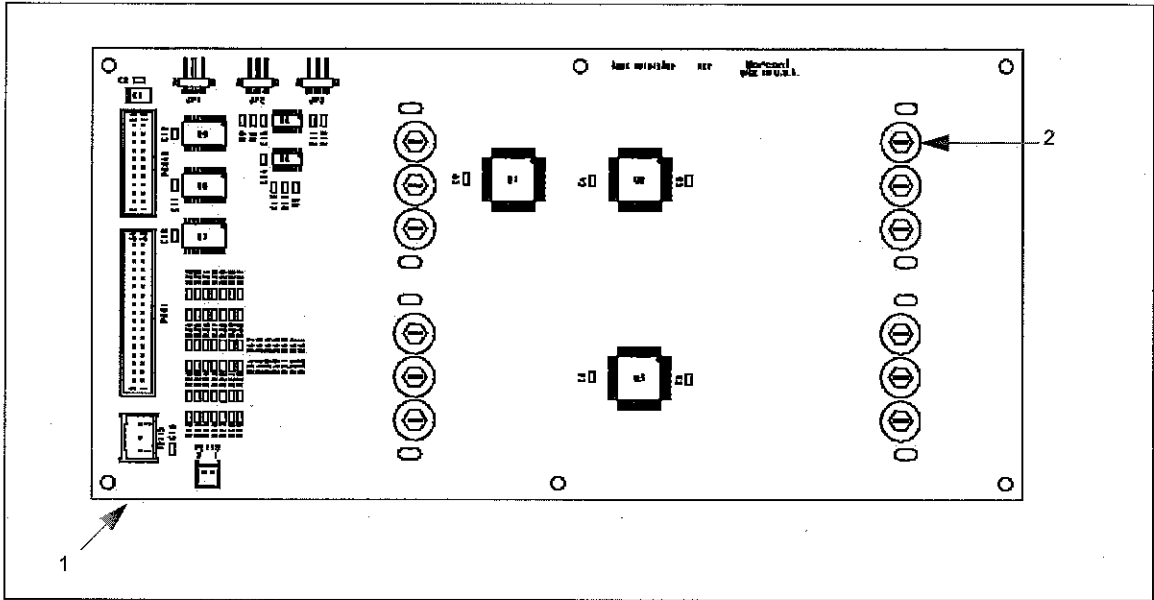
(

(

(

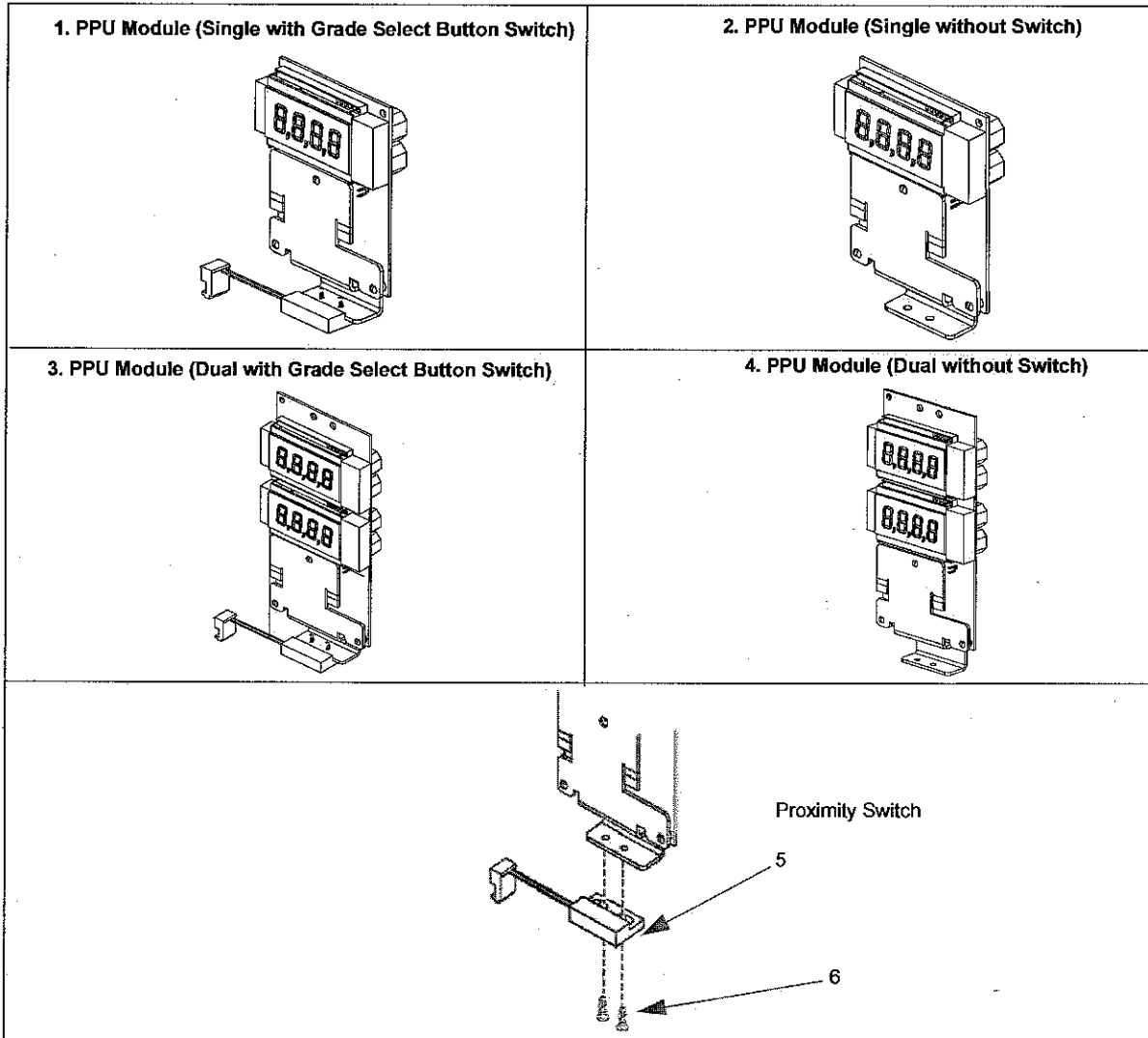
# 7 – Door Module Electronics

## Main Display PCA (Encore 300/Ultra-Hi)



Item #	Description	Current Part	Previous Part	Quantity
1	PCA Main Display	M01515A001	-	1
2	Lamp	Q12448-04	-	12
• Screw, Self Tapping Hex Hd, 6-20 (Not Shown)		-	-	4

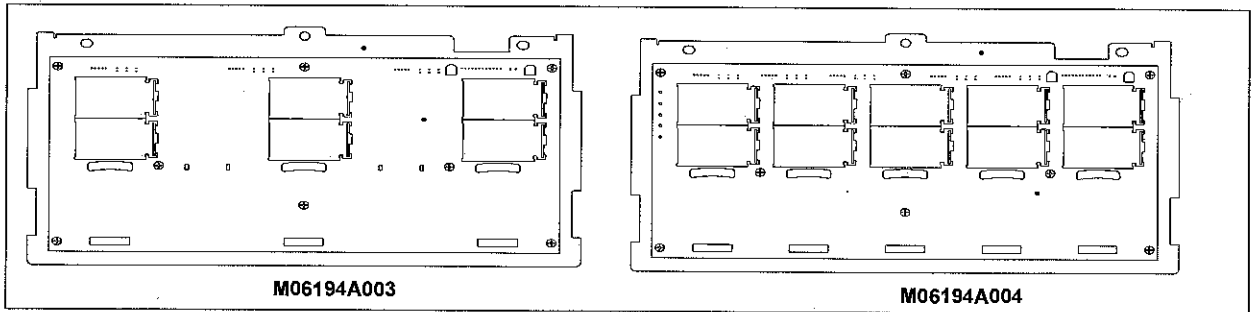
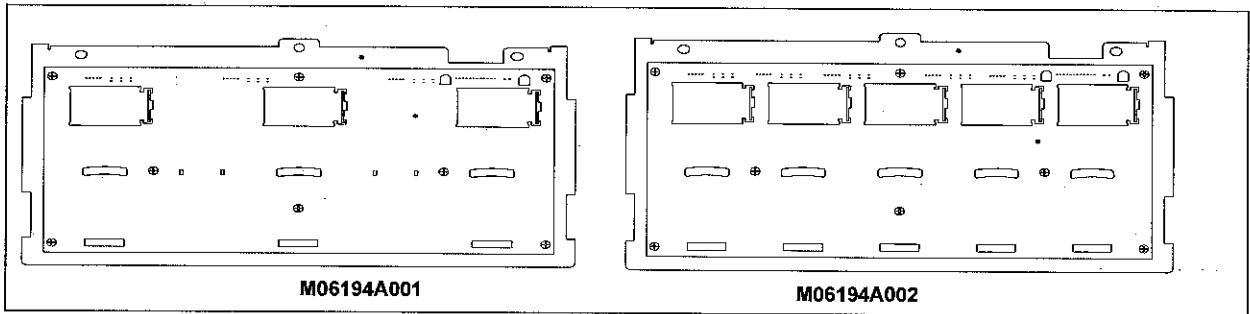
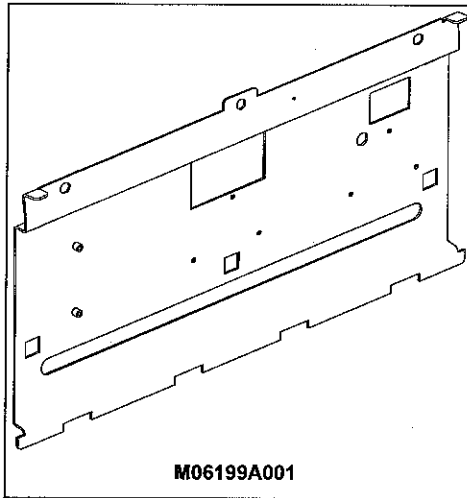
# PPU Display Module Assemblies (Encore 300 only)



Item #	Description	Current Part	Previous Part	Quantity
1	PPU Display Module Assembly (Single with Switch)	M02652A003	M00350A003	1
2	PPU Display Module Assembly (Single without Switch)	M02652A004	M00350A004	1
3	PPU Display Module Assembly (Dual with Switch)	M02652A007	M00350A007	1
4	PPU Display Module Assembly (Dual without Switch)	-	M02652A008	1
5	Proximity Switch, Magnetic (See Note 1)	Q12514-10	Q12514-08	1
6	• Support, Snap Lock Pin With Arrowhead	-	-	2
-	• PCA, Single PPU (See Note 2)	M01522A001	-	1
-	• PCA, Dual PPU (See Note 3)	M01525A001	-	1

**Notes:**  
 1. Proximity Switch is used on both Encore 300 and 500 series.  
 2. Use PCA M01522A001 with single PPU Display assembly.  
 3. Use PCA M01525A001 with dual PPU Display assembly.

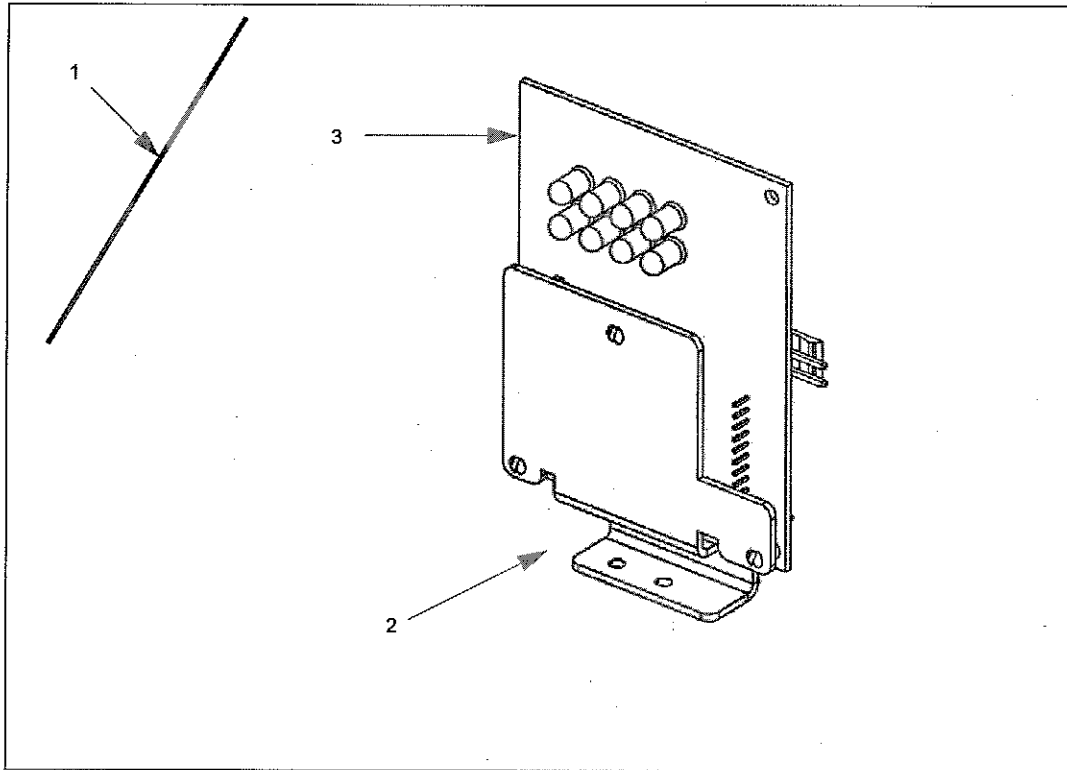
# PPU Display Module Assemblies (Encore S Series)



Item #	Description	Current Part	Quantity
1	PPU Mounting Plate Ultra-Hi Satellite on Indicator	M06199A001	
2	Three Grade Single PPU	M06194A001	1
3	Five Grade Single PPU	M06194A002	1
4	Three Grade Dual PPU	M06194A003	1
5	Five Grade Dual PPU	M06194A004	1
6	Proximity Switch, Magnetic	Q12514-11	See Note

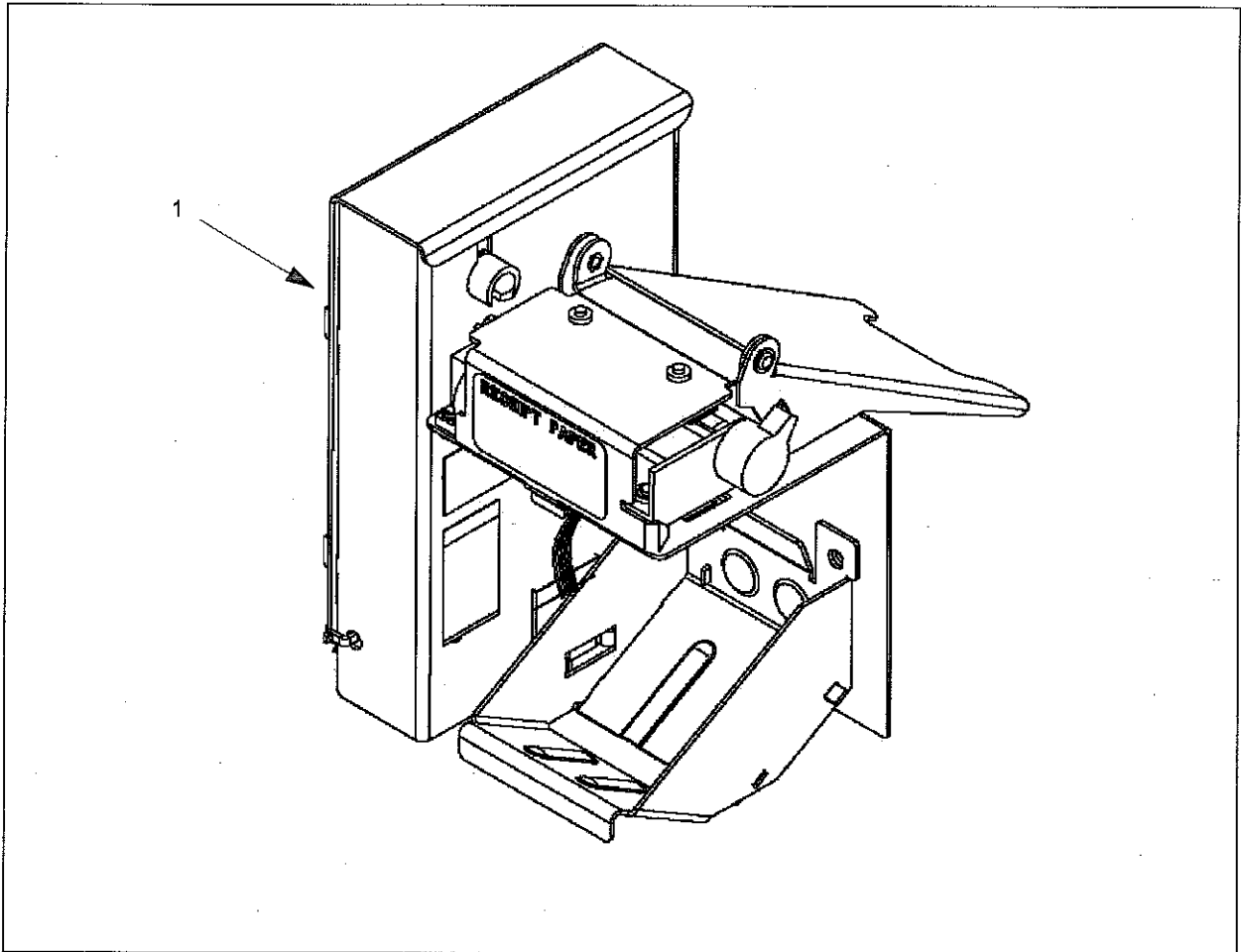
Note: Q12514 is an order entry item.

# Satellite In-use Indicator (Encore 300 Ultra-Hi only)



Item #	Description	Current Part	Previous Part	Quantity
1	Satellite In-use Indicator	M02652A011	M02652A010 M02652A009	1
2	PPU Module Bracket	M00351B002	-	1
3	PCA, Satellite Indicator with Valve Control	M04570A001	M04202A001	1
	• Screw, Pan Head, Ph Hd	-	-	3
	• Nut, Hex with Ext Lock Washer 4-40 Thd	-	-	3
	• Spacer, Hex 4-40 X 1.000 X 4-40	-	-	3

# Printer Module Assembly

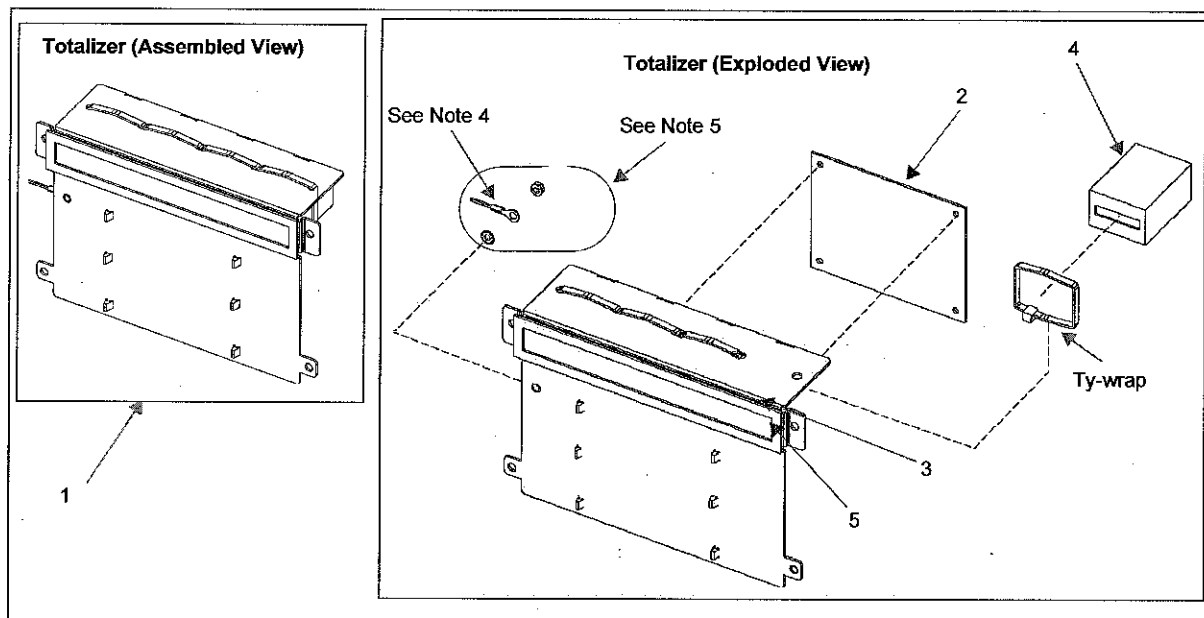


Item #	Description	Current Part	Previous Part	Quantity
1	Printer Module Assembly	M00317A003	-	1
	Printer Paper, High Speed Thermal (See Note)	M04809B016	Q12475-02	1

*Note: Recommend to use High Speed thermal paper supplied by Fujitsu, NCR, and or Wallace. For additional information refer to PT-1798 Consumable list.*

# Totalizer Assembly

## Encore 300, 500, and 550

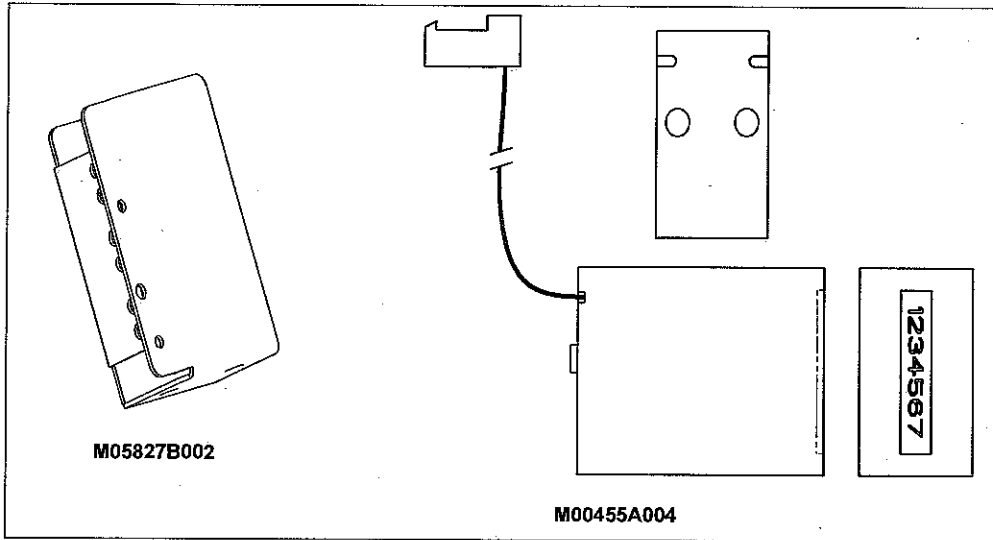


Item #	Description	Current Part	Previous Part	Quantity
1	Electro-mechanical Totalizer (See Note 2)	M00346A005	-	1
	Electro-mechanical Totalizer	M00346A006	-	1
	Totalizer Assembly (Less Totalizer Node PCA) (See Note 1)	M00346A202	M00346A102	1
2	PCA Totalizer	M01621A001	-	1
3	Totalizer Lens	M00359A001	-	1
4	Totalizer Electro-mechanical (See Note 3)	M00455A004	M00515A002	2-3
5	Gasket, Totalizer	M00343B001	-	1

**Notes:**

1. Totalizer Assembly M00346A202 comes without item 2-PCA Totalizer and Stand-off (Not Shown).
2. Used on Encore 300 and Ultra-Hi units.
3. Quantities will vary per assembly.
4. Refer to "Cable Assemblies Section (Encore 300 and Encore 300 Ultra-Hi)" on page 8-1 for additional information.
5. Ground wire, washer, ring term, and nut are not used on new Totalizers.

### Encore S Series

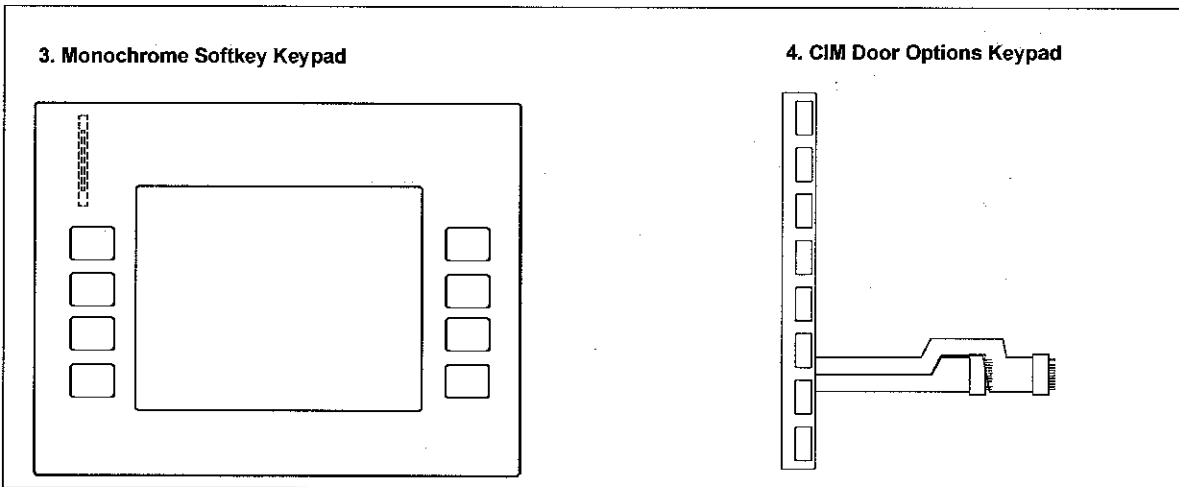
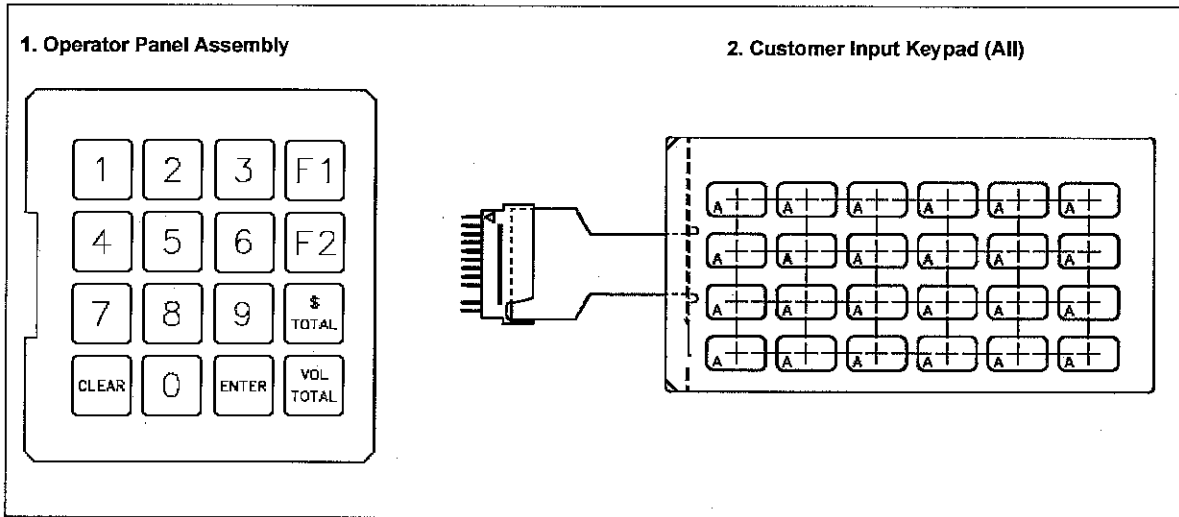


Item #	Description	Current Part	Quantity
1	Electro-mechanical Totalizer (See Note 1)	M00455A004	2-3
2	PCA Totalizer	M01621A001	1
3	Totalizer Lens	M00359A001	1
4	Gasket, Totalizer	M00343B001	1
5	Bracket, Totalizer	M05827B003	1

**Notes:**

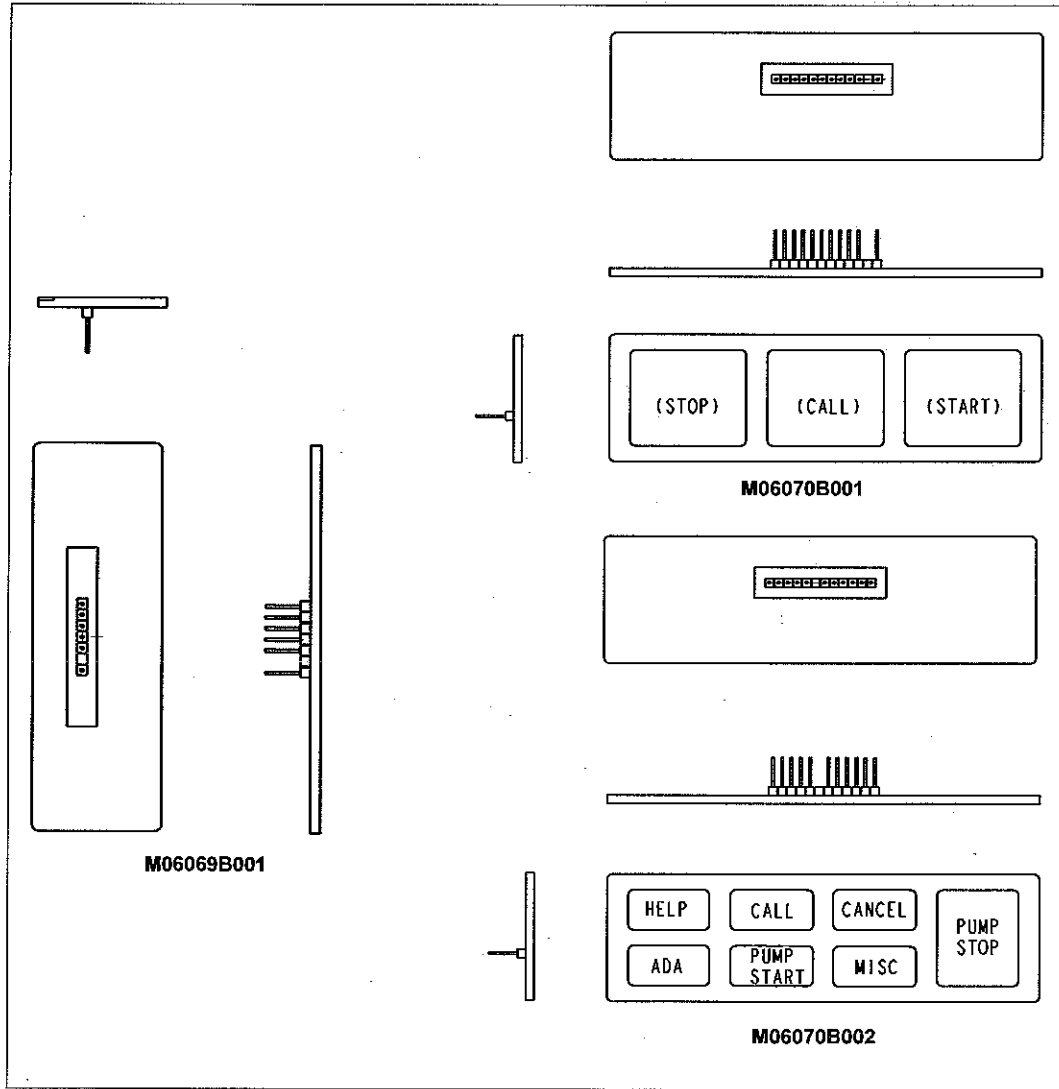
1. Quantities will vary per assembly.
2. Refer to "Cable Assemblies (E500/Ultra-Hi/E550/Encore S)" on page 5-1 for additional information.

# Keypad Assemblies



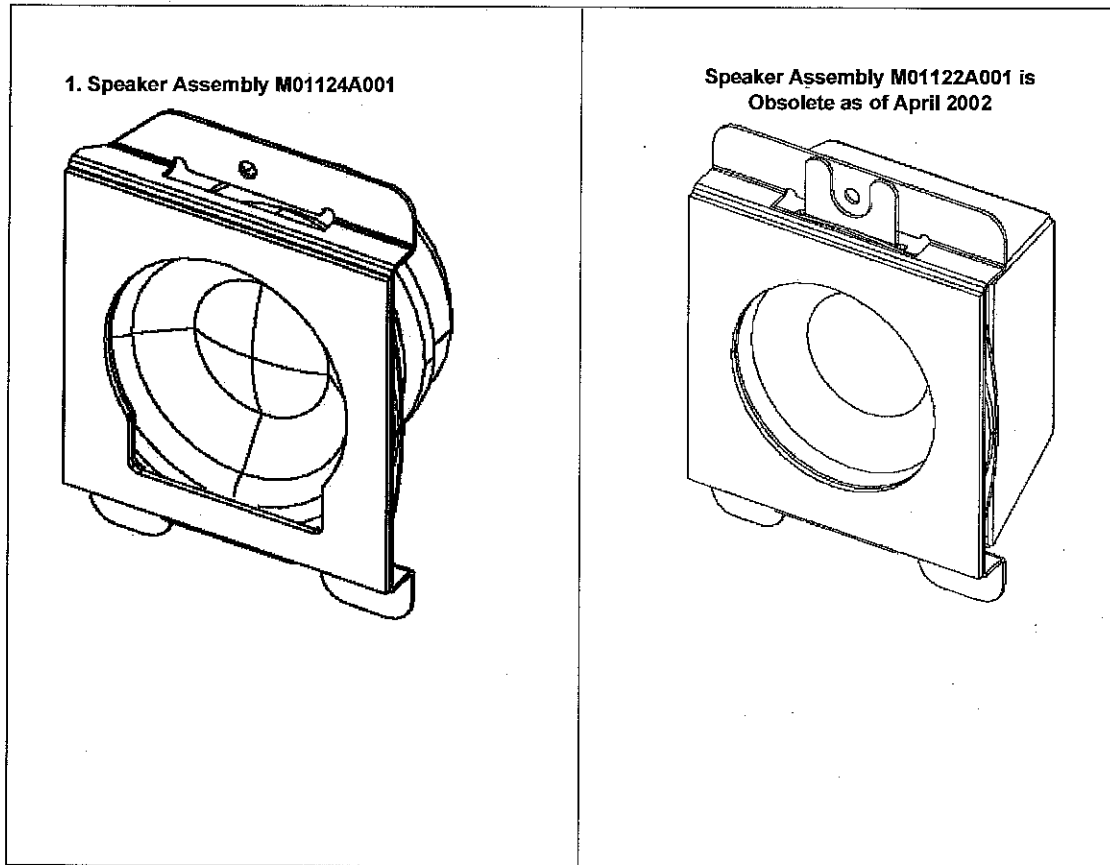
Item #	Description	Current Part	Previous Part	Quantity
1	Operator Panel Assembly	T17549-G1	-	1
2	Customer Input Keypad	M00141B002	M00141A001	1
3	Monochrome Softkey Keypad	M01254B003	M01254B002	1
4	CIM Door Options Keypad (Canada Only)	M01109B003	M01109B001	1

# Keypad Assemblies (Encore S Series)



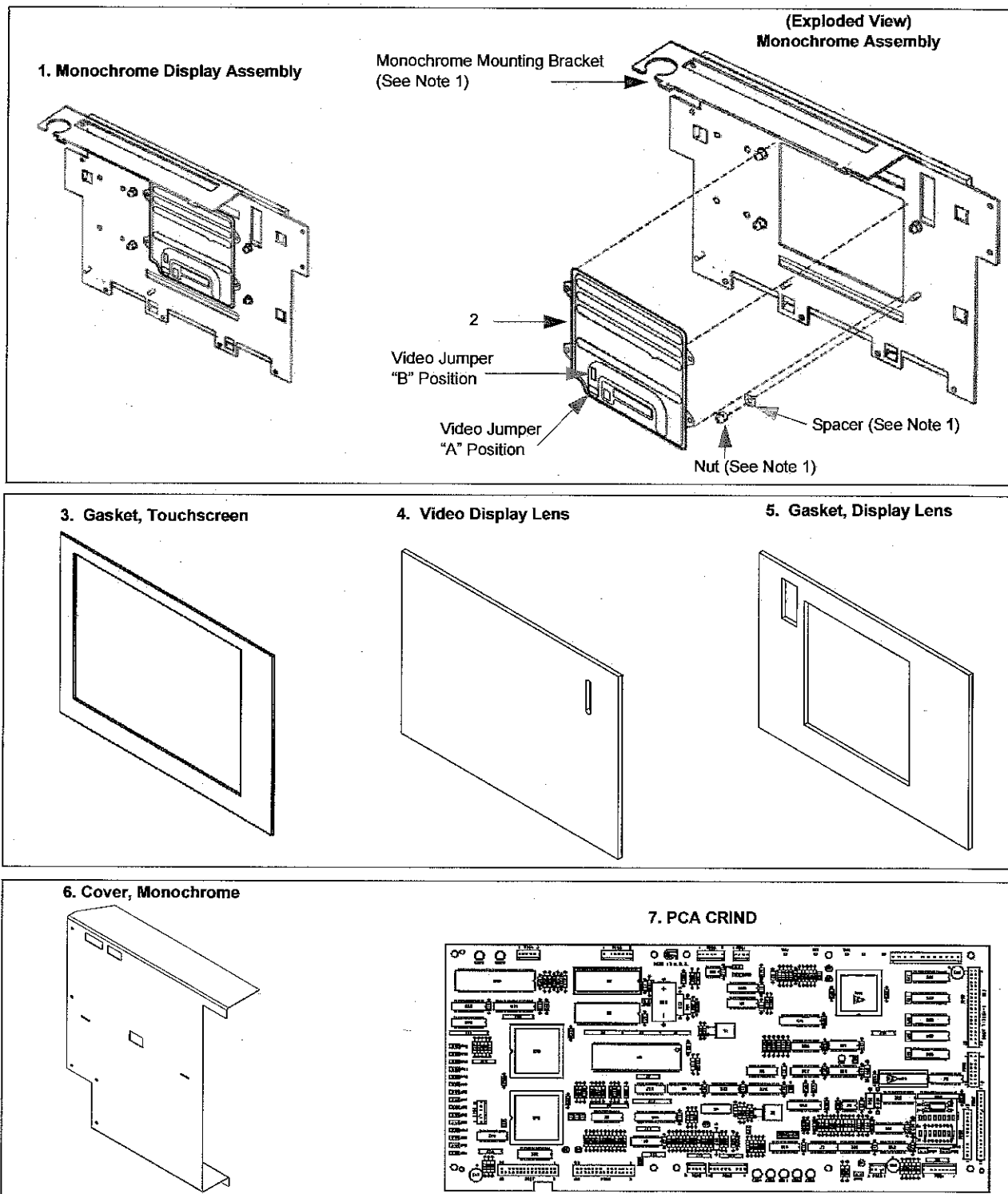
Item #	Description	Current Part	Quantity
1	Keypad, Softkey	M06069B001	1
2	Keypad, Start/Call/Stop, 3-button Keypad	M06070B001	1
3	Keypad, Start/Call/Stop, 7-button Keypad	M06070B002	1

# Speaker Assembly



Item #	Description	Current Part	Previous Part	Quantity
1	Speaker Assembly	M01124A001	M01122A001	1

# CRIND Monochrome Display Assembly

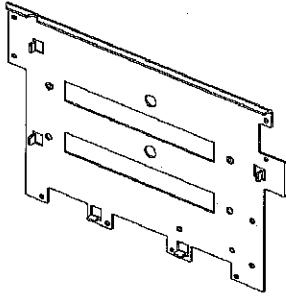


Item #	Description	Current Part	Previous Part	Quantity
1	CRIND Monochrome Display Assembly (See Note 1)	M01653A001	-	1
2	Monochrome Display (See Notes 2, 3 and 4) (Backlight Always ON)	M02636A001	<i>Note: See previous parts below</i>	1
	Monochrome Display (Interchangeable, Backlight Always ON)	-	Q13908-06	1
	Monochrome Display (Interchangeable, Backlight Always ON)	-	Q13908-05	1
	Monochrome Display (Interchangeable, Backlight Always ON)	-	Q13908-03	(see note 5)
	Monochrome Display (Interchangeable, Backlight Always ON)	-	Q13908-02	(see note 5)
	Monochrome Display (Backlight Ambient Sensitive, OFF in Day Light, ON at Night)	-	Q13908-01	(see note 5)
3	Gasket, Touchscreen	R20682-01	-	1
4	Monochrome Display Lens (See Note 5)	M01255B001	-	1
5	Gasket, Display Lens (See Note 5)	M01360B001	-	1
6	Cover, Monochrome	M01649B001	-	1
7	PCA CRIND Z180 Logic Board	M03651A002	T17764-G4	1
-	Monochrome Single Side Heater Kit (Refer to MDE-4177 Monochrome Display Heater Retrofit kit manual for additional information) (Not Shown)	M03063K001	-	1
-	Monochrome Dual Side Heater Kit (Refer to MDE-4177 Monochrome Display Heater Retrofit kit manual for additional information) (Not Shown)	M03063K002	-	1

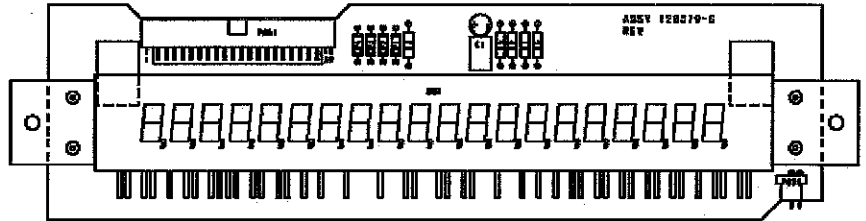
- Notes:
1. Monochrome Mounting bracket, nuts, and spacers, along with item 2-Monochrome Display and item 5-Gasket Display Lens are a part of item 1-Monochrome Display Assembly.
  2. Do not remove plastic piece off Monochrome Display. This piece is used for Rain Shield. See attached sticker on display for warning.
  3. Monochrome Display M02636A001 is currently in production. This display is compatible to all and replaces all. Note: Backlight is always ON.
  4. The jumper for video source on Encore 500 is in position "A" and for The Advantage and Encore 300 it is in position "B".
  5. Item 4-Monochrome Display Lens should be used together with item 5-Gasket Display Lens.

# CRIND Single Line Assembly

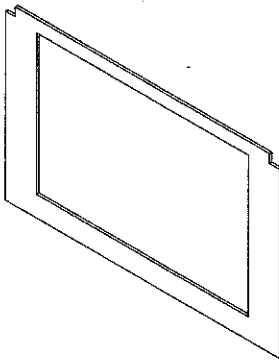
1. Single Line Mounting Bracket Assembly



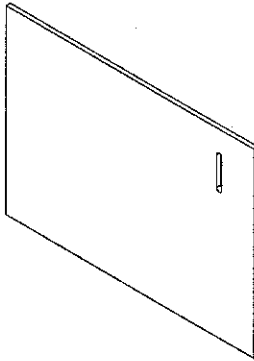
2. Single Line Display Board



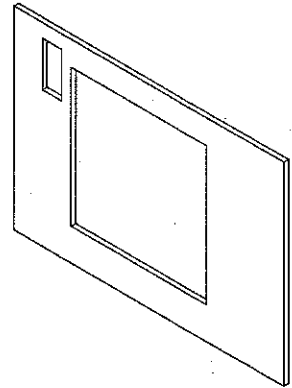
3. Gasket, 10.4" Display Lens



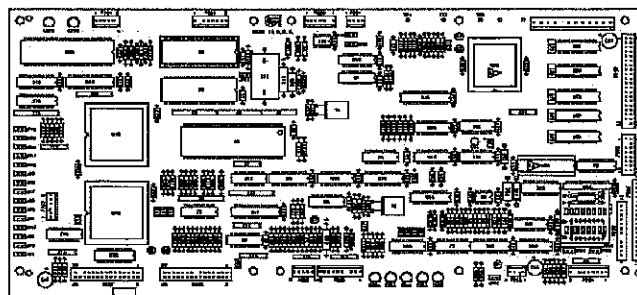
4. Video Display Lens



5. Gasket, Display Lens



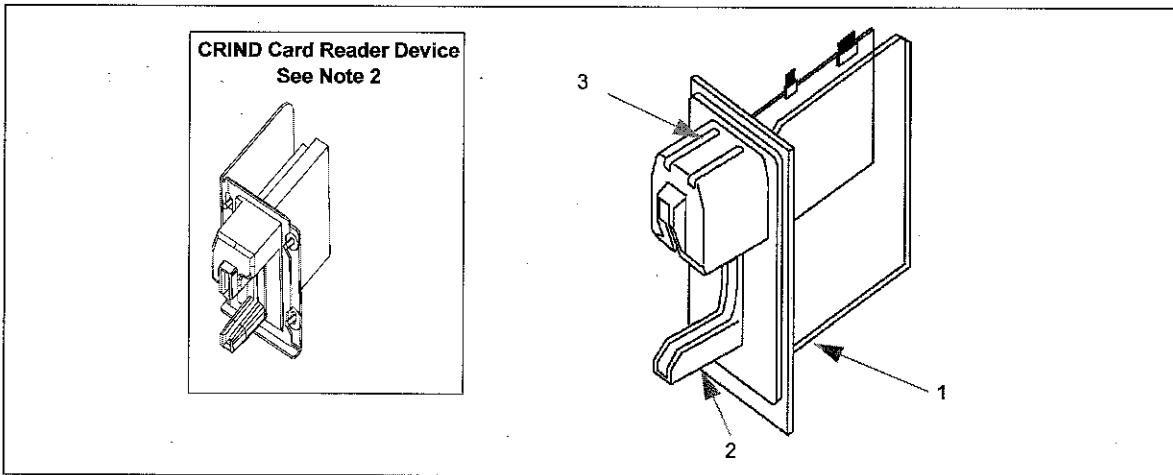
6. PCA CRIND



Item #	Description	Current Part	Previous Part	Quantity
1	Single Line Mounting Bracket Assembly (Reference Only)	M02704A001	-	1
2	Single Line Display Board	T20379-G4	T20379-G3	1
3	Gasket, 10.4" Display Lens			
	Encore 500	M02539B001	-	1
	Encore 500S	M06878B001	-	1
4	Video Display Lens (Encore 500) (See Note)	M01255B002	-	1
5	Gasket, Display Lens (See Note)	M01360B001	-	1
6	PCA CRIND Z180 Logic Board	M03651A001	T17764-G3	1

Note: Use item 4-Video Display Lens in conjunction with item 5-Gasket Display Lens.

## Dual Head Card Reader

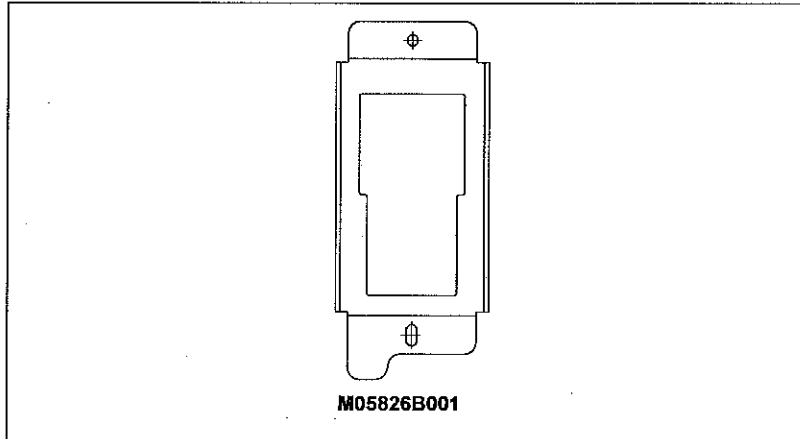


Item #	Description	Current Part	Previous Part	Quantity
	Card Reader, Dual Head (See Note 1)	M02136B001	Q11489-06 (see note 2)	1
1	Card Reader, Gasket (Vertical) (See Note 1)	N23505-02	-	1
2	Card Reader, Bracket (See Note 1)	M07574B001	M01180B003	1
3	Card Reader, Gasket (See Note 1)	M00682B001	-	1
4	Cable, ESD Ground Card (See Note 1) (Not Shown)	(See Note 3)	-	1
-	Cleaning Card (Card Reader) (Not Shown)	Q13400	-	1

**Notes:**

1. Dual Head Card Reader kit M02139K001 include items 1 through 4.
2. Single Head Card Reader was discontinued in production on January 2002. Use kit M02139K001 to replace old CRIND Card Reader Q11489-06. For more information, refer to MDE-4080 Dual Head Card Reader Installation instructions.
3. Refer to "Cable Assemblies Section (Encore 300 and Encore 300 Ultra-Hi)" on page 8-1 for additional information.
4. Refer to the PT-1798 Consumable Parts Manual for ordering information.

## Dual Head Card Reader Bracket (Encore S Series)



Item #	Description	Current Part	Previous Part	Quantity
1	Card Reader, Bracket	M05826B002	M05826B001	1

