

2 – Door Assembly Section

Naming Convention for Encore 300/500/550 Doors

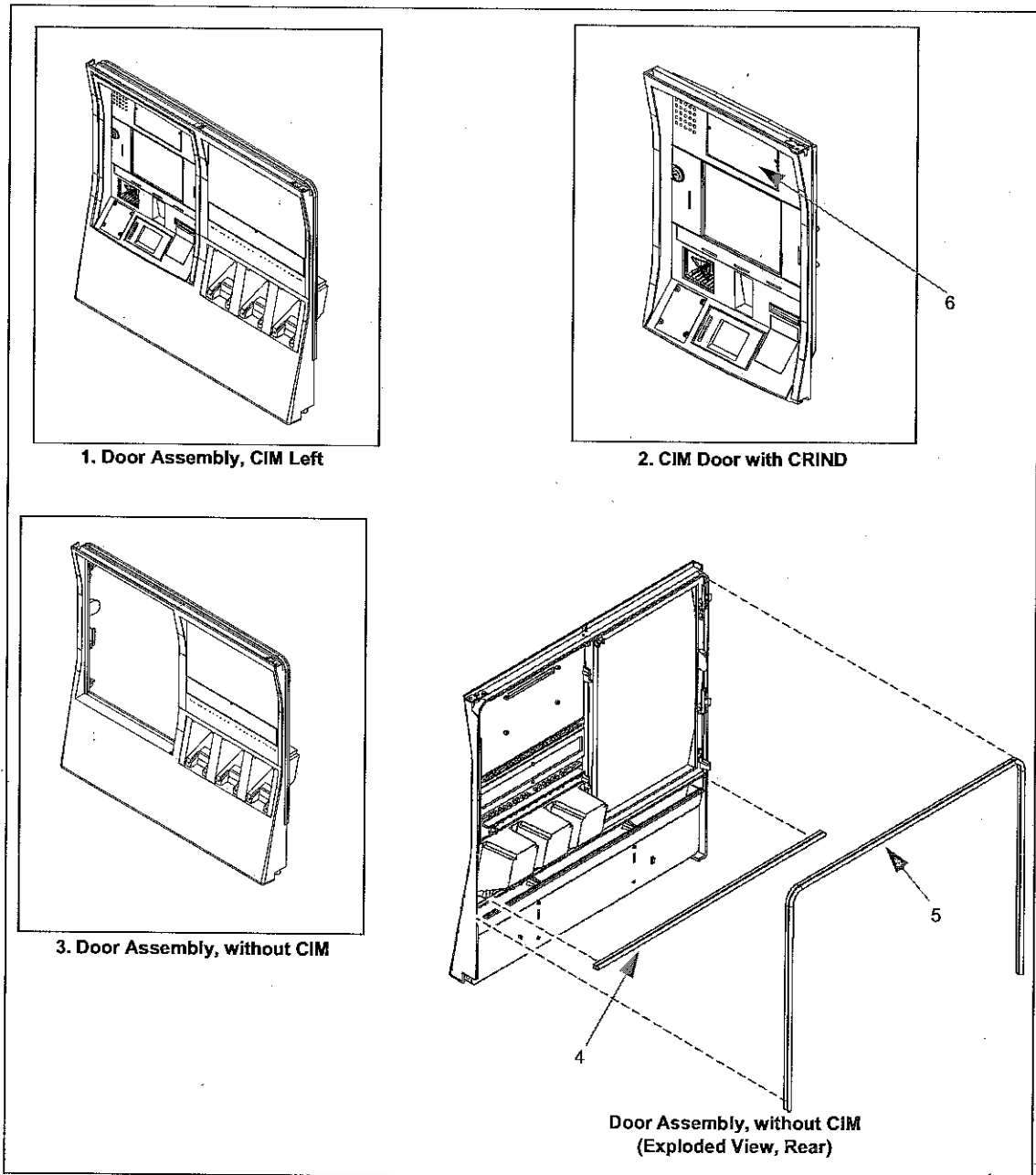
Part Number	Description	Comments
M01208AXXX	Assembly, CIM Door With CRIND®	All
M01209AXXX	Assembly, CIM Door No CRIND	All
M01210AXXX	Assembly, Door Left No CIM	All
M01211AXXX	Assembly, Door Offset No CIM	All
M01212AXXX	Assembly, Door Center No CIM	All
M01219AXXX	Door Assembly, CIM Left	All
M01220AXXX	Door Assembly, CIM Offset	All
M01221AXXX	Door Assembly, CIM Center	All
M01533AXXX	Assembly, Door Left Dual PPU No CIM	All
M01534AXXX	Assembly, Door Offset Dual PPU No CIM	All
M01535AXXX	Assembly, Door Center Dual PPU No CIM	All
M01536AXXX	Door Assembly, CIM Left Dual PPU	All
M01537AXXX	Door Assembly, CIM Offset Dual PPU	All
M01538AXXX	Door Assembly, CIM Center Dual PPU	All
M01311AXXX	Assembly, Scanner Cover	All
M00369B001	Plug, Scanner	Color 03 Only
M00889B001	Plug, Totalizer	Color 03 Only
M01154B001	Blanking Panel, Note Acceptor	Color 03 Only
M01155B001	Blanking Panel, TRIND®	Color 03 Only
M00603AXXX	Cover, Scanner	All

Note: The last two digits of the part number represent the color for painted parts only. For example, M01208A2XX; for gray, if the end number is 2733 the part number is M01208A205 and for blue, if the end number is 2773 the part number is M01208A207. For a complete set of the color codes, refer to "Color Chart for Encore 300/500/550 Doors" on page 2-2.

Color Chart for Encore 300/500/550 Doors

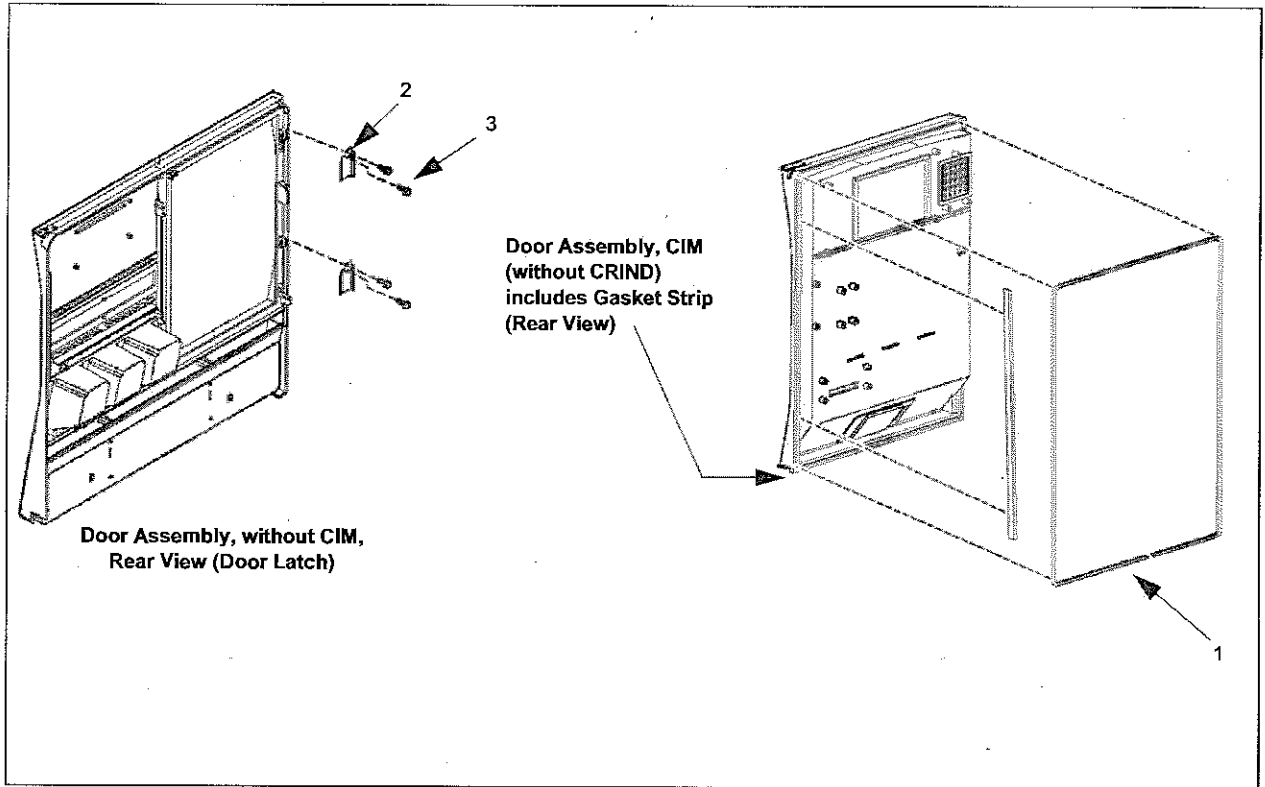
Color Code	Color	End Number	Comments
01	Gray	1804	Equivalent to End 2600
02	Black	1681	-
03	White	2485	-
04	Red	2738	-
05	Gray	2733	-
07	Blue	2773	-
08	Stepping Stone	2832	-
09	Pearl	2837	-
10	Orange	2843	-
11	Warm Gray	2849	-
12	Blue	2864	-
13	Blue	4280/2688	-
14	Metallic Silver	2949	-
15	Yellow	2138	-
16	Coarse Metallic Silver	2890	-
17	Cool Gray	2957	-
18	Red	2695	-
19	Green	2594	-
20	Blue	2969	-
21	Red	2866	-
22	Reflex Blue	2935	For Delta Sonic
23	Red and White	2866 and 2485	2-tone Door for Pertamina
24	Blue	2986	-
25	Beige	2993	-

Encore 300, 500, and 550 Door Assembly, CIM Left



Item #	Part Description	Current Part	Previous Part	Quantity
1	Door Assembly, CIM Left (See Note 2)	M01219AXXX	M01219A001	1
2	• CIM Door with CRIND	M01208A001	-	1
3	Door Assembly, Left without CIM (See Note 2)	M01210AXXX	M01210A001	1
Additional Door Assemblies, Left without CIM (Color Scheme) (Refer to table on page 2-11)				
4	• Gasket, Flexible, Permanent (Bottom)	Q12406-13	-	1
5	• Gasket, Flexible, Permanent (U-shape)	Q12406-14	-	1
6	Main Window Display Assembly	M00371B003	M00371A003	1
	• Lock Assembly (See Notes 1 and 3) (Not Shown)	Q12542-08	-	1
	• Hinge CIM Retainer Assembly (Not Shown)	-	-	(See Note 1)
	• Lower CIM Pin (Not Shown)	-	-	(See Note 1)
	• Screw, M5 X 10 (Not Shown)	-	-	(See Note 1)
Notes: 1. Door Assembly M01219A001 includes item 2 -Door Assembly CIM, item 3-Door Assembly without CIM, items 4 and 5 Gaskets, Lock Assembly, Hinge CIM Assembly, Lower CIM pin and screws. 2. Doors come in various colors. When placing the order, specify the color. Door graphics are order entry items and must be ordered individually. For additional color information, refer to "Door Assembly Table with Color Schemes" on page 2-11. 3. Lock Assembly Q12542-08 is purchased <u>only</u> as an assembly.				

Encore 300, 500, and 550 Door Assembly, Left Doors (Rear View)

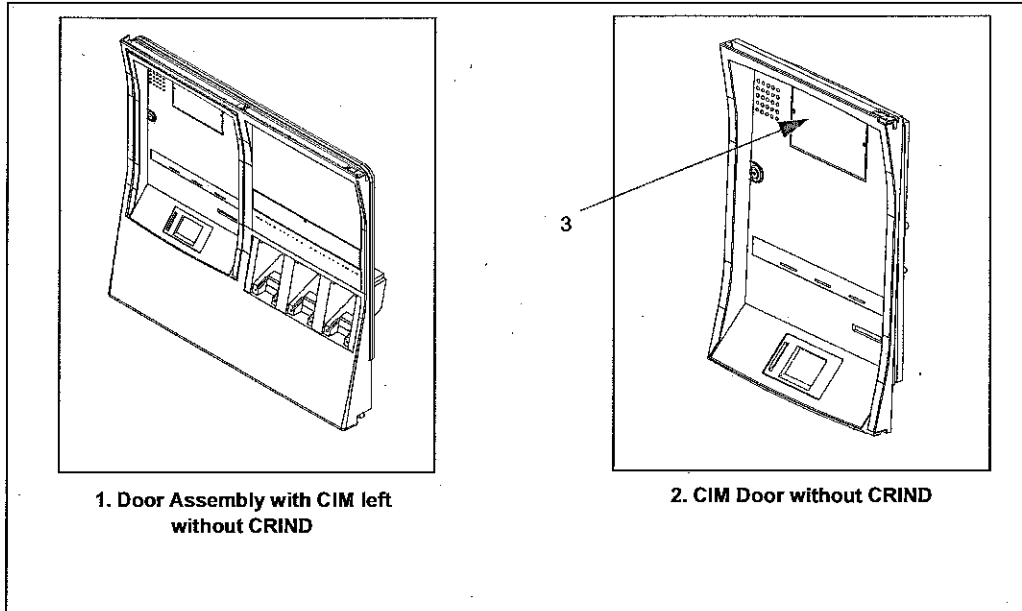


Item #	Part Description	Current Part	Previous Part	Quantity
1	Gasket, CIM Door (See Notes 1 and 2)	M00368B001	-	2
2	Door Latch	M01978B001	M00807B001	2
3	• Screws, M5 X 10	-	-	2 per Latch

Notes:

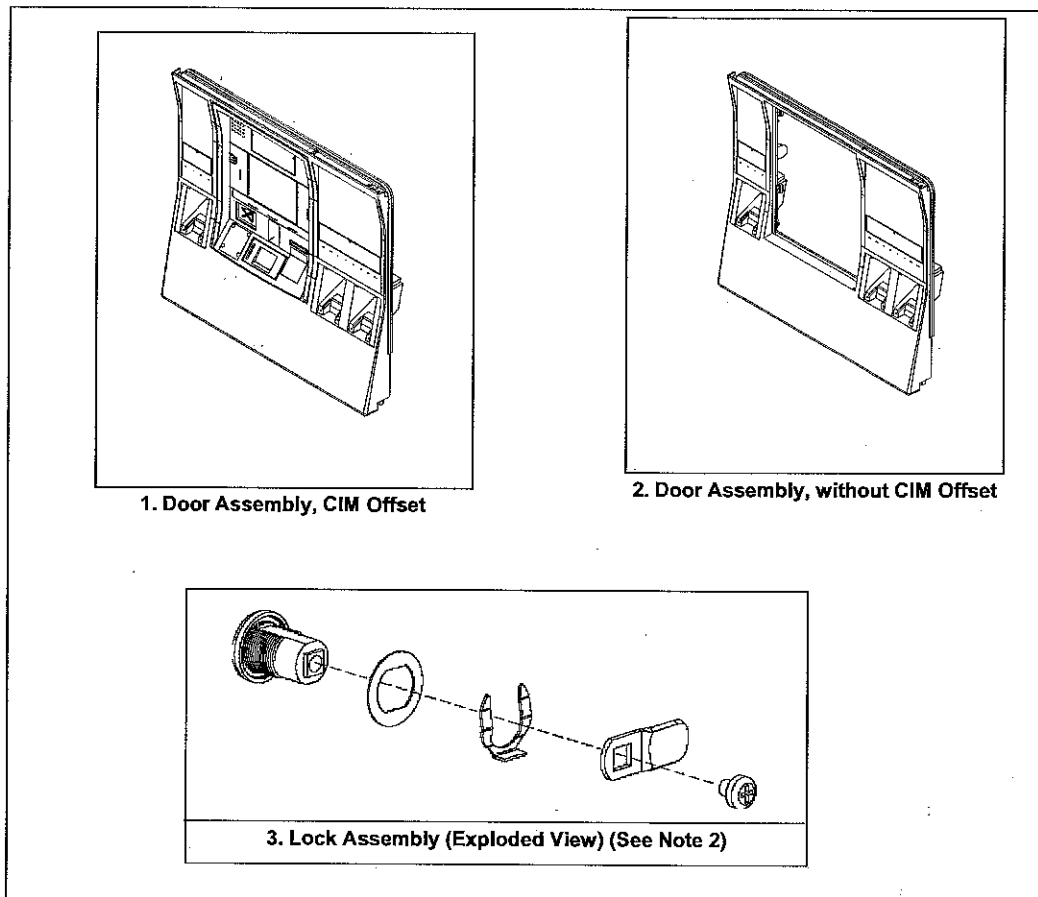
1. Doors come in various colors. When placing the order, specify the color. Door graphics are order entry items and must be ordered individually. For additional color information, see "Door Assembly Table with Color Schemes" on page 2-11.
2. Bond in place with Loctite-401 Adhesive.

Encore 300, 500, and 550 Door Assembly, Left (No CRIND)



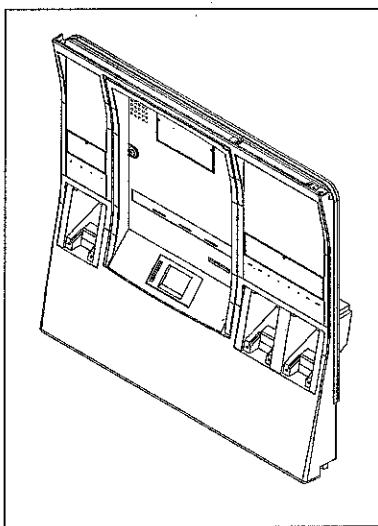
Item #	Part Description	Current Part	Previous Part	Quantity
1	Door Assembly with CIM Left without CRIND (See Note 2)	M01219AXXX	M01219A101	1
2	• CIM Door without CRIND (see note 2)	M01209AXXX	M01209A001	1
Additional Door Assemblies, Left with CIM without CRIND (Color Scheme) (Refer to table on page 2-11)				
3	Main Window Display Assembly	M00371B003	M00371A003	1
	• Lock Assembly (See Notes 1 and 3) (Not Shown)	Q12542-08	-	1
	• Lower CIM Pin (Not Shown)	-	-	(See Note 1)
	• Screw, M5 X 10 (Not Shown)	-	-	(See Note 1)
	• Door Assembly, without CIM Door Left (See page 2-3 to view door) (Not Shown)	M01210A001	-	1
Notes: 1. Door Assembly M01219A101 includes item 2- Door Assembly, Hinge CIM Assembly, Lock Assembly, Lower CIM pin, screws, and Door Assembly without CIM left. 2. Doors come in various colors. When placing order, specify the color. Door graphics are order entry items and must be ordered individually. For additional color information, refer to "Door Assembly Table with Color Schemes" on page 2-11. 3. Lock Assembly Q12542-08 is purchased <u>only</u> as an assembly.				

Encore 300, 500, and 550 Door Assembly, CIM Offset

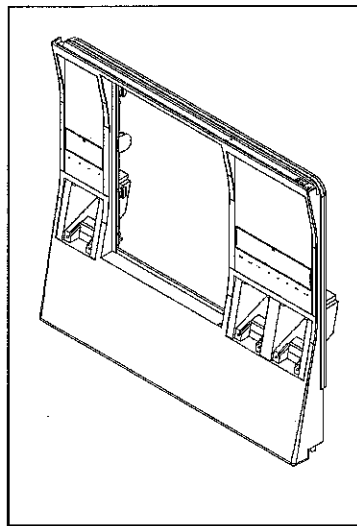


Item #	Part Description	Current Part	Previous Part	Quantity
1	Door Assembly, with CIM Offset (See Note 3)	M01220AXXX	M01220A001	1
2	• Door Assembly, without CIM Offset	M01211AXXX	M01211A001	1
Additional Door Assemblies, with CIM Offset (Color Scheme) (Refer to table on page 2-11)				
3	• Lock Assembly (See Notes 1 and 2)	Q12542-08	-	1
	• Hinge CIM Retainer Assembly (Not Shown)	-	-	(See Note 1)
	• Lower CIM Pin (Not Shown)	-	-	(See Note 1)
	• Screw, M5 X 10 (Not Shown)	-	-	(See Note 1)
	• CIM Door with CRIND (See page 2-3 to view door) (Not Shown)	M01208A001	-	1
Notes:				
1. Door Assembly M01220A001 includes item 2 - Door Assembly without CIM, item 3 - Lock Assembly, Door Assembly without CIM left, Hinge CIM Assembly, Lower CIM pin and screws.				
2. Item 3 Lock Assembly Q12542-08 is purchased <u>only</u> as an assembly. Door graphics are order entry items and must be ordered individually.				
3. Doors come in various colors. When placing the order, specify the color. For additional color information, refer to "Door Assembly Table with Color Schemes" on page 2-11.				

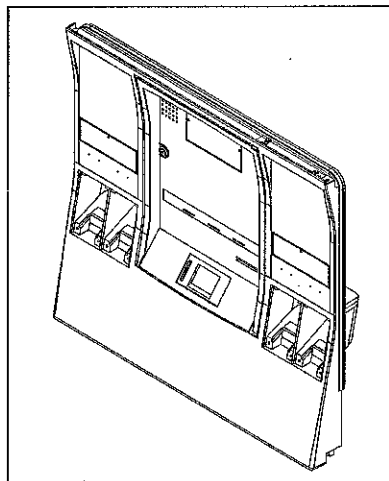
Encore 300, 500, and 550 Door Assembly CIM, Offset, and Center (No CRIND)



1. Door Assembly, CIM, Offset
(No CRIND)



2. Door Assembly, without CIM,
(Offset)



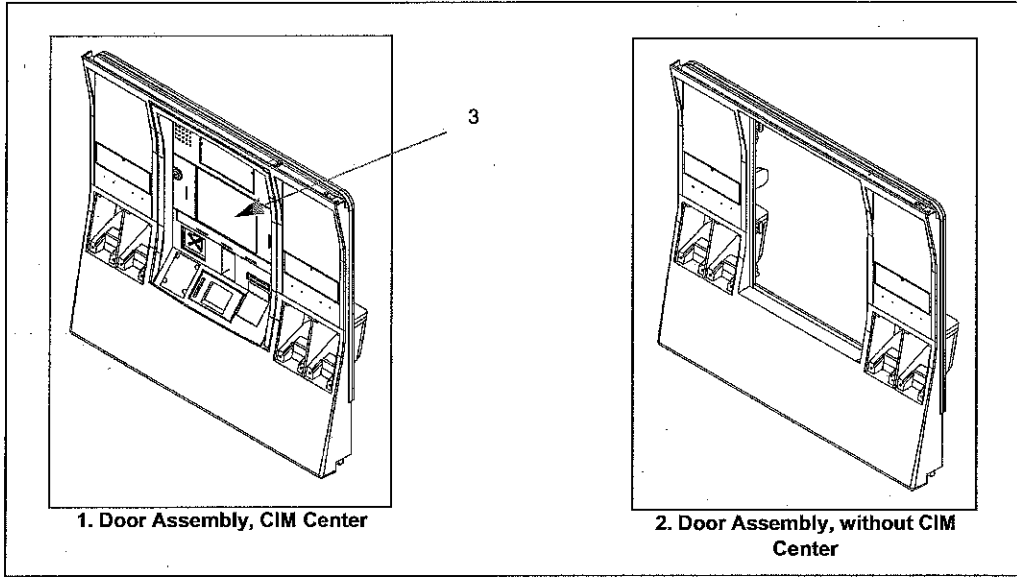
3. Door Assembly, CIM Center,
(No CRIND)

Item #	Part Description	Current Part	Previous Part	Quantity
1	Door Assembly, CIM without CRIND Offset (See Note 1)	M01220AXXX	M01220A101	1
2	• Door Assembly, without CIM Offset (See Note 2)	M01211AXXX	M01211A001	1
-	• CIM Door without CRIND (See page 2-6 to view illustration) (See Note 2) (Not Shown)	M01209A001	-	1
	• Hinge CIM Retainer Assembly (Not Shown)	-	-	(See Note 2)
	• Lower CIM Pin (Not Shown)	-	-	(See Note 2)
	• Screw, M5 X 10 (Not Shown)	-	-	(See Note 2)
3	Door Assembly, CIM without CRIND Center (See Note 1) (Not Shown)	M01221A101	-	1
	• CIM Door without CRIND (See page 2-6 to view illustration) (See Note 3) (Not Shown)	M01209A001	-	1
	• Door Assembly, without CIM Center (See page 2-10 to view) (See Note 3) (Not Shown)	M01212A001	-	1
	• Lock Assembly (See Note 4) (Not Shown)	Q12542-08	-	1
	• Hinge CIM Retainer Assembly (Not Shown)	-	-	(See Note 3)
	• Lower CIM Pin (Not Shown)	-	-	(See Note 3)
	• Screw, M5 X 10 (Not Shown)	-	-	(See Note 3)

Notes:

- Doors come in various colors. When placing the order, specify the color. Door graphics are order entry items and must be ordered individually. For additional color information, refer to "Door Assembly Table with Color Schemes" on page 2-11.
- Door Assembly M01220A101 includes item 2-Door Assembly without CIM, Door Assembly without CRIND, Hinge CIM Assembly, Lower CIM pin and screws.
- Door Assembly M01221A101 includes Door Assembly without CRIND, Door Assembly without CIM, Hinge CIM Assembly, Lower CIM pin and screws.
- Lock Assembly Q12542-08 is purchased only as an assembly.

Encore 300, 500, and 550 Door Assembly CIM, Center



Item #	Part Description	Current Part	Previous Part	Quantity
1	Door Assembly, CIM Center (See Note 1)	M01221AXXX	M01221A001	1
2	• Door Assembly, without CIM Center	M01212AXXX	M01212A001	1
	• CIM Door with CRIND (See page 2-3 to view door)	M01208A001	-	1
Additional Door Assemblies, without CIM Center (Color Scheme) (Refer to table on page 2-11)				
3	Main Window Display Assembly	M00371B003	M00371A003	1
	• Lock Assembly (See Note 3) (Not Shown)	Q12542-08	-	1
	• Hinge CIM Retainer Assembly (Not Shown)	-	-	(See Note 2)
	• Lower CIM Pin (Not Shown)	-	-	(See Note 2)
	• Screw, M5 X 10 (Not Shown)	-	-	(See Note 2)

Notes:

1. Doors come in various colors. When placing the order, specify the color. Door graphics are order entry items and must be ordered individually. For additional color information, refer to "Door Assembly Table with Color Schemes" on page 2-11.
2. Door Assembly M01219A001 includes item 2 - Door Assembly without CIM, Door Assembly with CRIND, Hinge CIM Assembly, Lower CIM pin and screws.
3. Lock Assembly Q12542-08 is purchased only as an assembly.

Door Assembly Table with Color Schemes

CIM Door with CRIND (With Options)	
Door Part Number	Color
M01208A001	Gray 1804
M01208A002	Black 1681
M01208A003	White 2485
M01208A004	Red 2738
M01208A005	Gray 2733
M01208A007	Blue 2773
M01208A008	Step Stone SW2832
M01208A009	Pearl 2837
M01208A010	Orange 2843
M01208A011	Warm Gray 2849
M01208A012	Blue 2864
M01208A013	Blue 4280/2688
M01208A014	Silver 2949
M01208A015	Yellow 2138
M01208A016	Silver 2980
M01208A017	Gray 2957
M01208A018	Red 2695
M01208A019	Green 2594
M01208A020	Blue 2969
M01208A021	Red 2866
M01208A022	Blue 2935
M01208A023	2866/2485
M01208A024	Blue 2986
M01208A025	Beige 2993
CIM Door with CRIND/TRIND	
Door Part Number	Color
M01208A201	Gray 1804
M01208A202	Black 1681
M01208A207	Blue 2773
M01208A211	Warm Gray 2849
M01208A213	Blue 4280/2688
M01208A214	Silver 2949
M01208A215	Yellow 2138
M01208A216	Silver 2980
M01208A217	Gray 2957
M01208A218	Red 2695
M01208A219	Green 2594
M01208A220	Blue 2969
M01208A221	Red 2866

CIM Door with CRIND/TRIND	
Door Part Number	Color
M01208A222	Blue 2935
M01208A223	2866/2485
M01208A224	Blue 2986
M01208A225	Beige 2993
CIM Door with CRIND (No Options)	
Door Part Number	Color
M01208A401	Gray 1804
M01208A402	Black 1681
M01208A403	White 2485
M01208A404	Red 2738
M01208A405	Gray 2733
M01208A407	Blue 2773
M01208A408	Step Stone SW2832
M01208A409	Pearl 2837
M01208A410	Orange 2843
M01208A411	Warm Gray 2849
M01208A412	Blue 2864
M01208A413	Blue 4280/2688
M01208A414	Silver 2949
M01208A415	Yellow 2138
M01208A416	Silver 2980
M01208A417	Gray 2957
M01208A418	Red 2695
M01208A419	Green 2594
M01208A420	Blue 2969
M01208A421	Red 2866
M01208A422	Blue 2935
M01208A423	2866/2485
M01208A424	Blue 2986
M01208A425	Beige 2993
Left Door with CIM Door without CRIND	
Door Part Number	Color
M01209A001	Gray 1804
M01209A002	Black 1681
M01209A003	White 2485
M01209A004	Red 2738
M01209A005	Gray 2733
M01209A007	Blue 2773
M01209A008	Stepping Stone SW2832

Left Door with CIM Door without CRIND	
Door Part Number	Color
M01209A009	Pearl 2837
M01209A011	Warm Gray 2849
M01209A012	Blue 2864
M01209A013	Blue 4280/2688
M01209A014	Silver 2949
M01209A015	Yellow2138
M01209A016	Silver 2980
M01209A017	Cool Gray 2957
M01209A018	Red End 2695
M01209A019	Green End 2594
M01209A020	Blue End 2969
M01209A021	Red End 2866
M01209A022	Blue End 2935
M01209A023	End 2866/End 2485
M01209A024	Blue End 2986
M01209A025	Beige 2993
M01209A102	Black 1681
M01209A108	Stepping Stone SW2832
M01209A109	Pearl 2837
M01209A110	Orange 2843
M01209A111	Warm Gray 2849
M01209A112	Blue 2864
M01209A113	Blue 4280/2688
M01209A114	Silver 2949
M01209A115	Yellow2138
M01209A116	Silver 2980
M01209A117	Cool Gray 2957
M01209A118	Red End 2695
M01209A119	Green End 2594
M01209A120	Blue End 2969
M01209A121	Red End 2866
M01209A122	Blue End 2935
M01209A123	End 2866/End 2485
M01209A124	Blue End 2986
M01209A125	Beige 2993
Left Door without CIM	
Door Part Number	Color
M01210A001	Gray1804
M01210A002	Black 1681
M01210A003	White 2485
M01210A004	Red 2738

Left Door without CIM	
Door Part Number	Color
M01210A005	Gray 2733
M01210A007	Blue 2773
M01210A008	Stepping Stone SW2832
M01210A009	Pearl 2837
M01210A010	Orange 2843
M01210A013	Blue 4280/2688
M01210A014	Silver 2949
M01210A015	Yellow 2138
M01210A016	Silver 2980
M01210A017	Cool Gray 2957
M01210A018	Red End 2695
M01210A019	Green End 2594
M01210A020	Blue End 2969
M01210A021	Red End 2866
M01210A022	Blue End 2935
M01210A023	End 2866/End 2485
M01210A024	Blue End 2986
M01210A025	Beige 2993
Door Offset without CIM	
Door Part Number	Color
M01211A001	Gray 1804
M01211A002	Black 1681
M01211A003	White 2485
M01211A004	Red 2738
M01211A005	Gray 2733
M01211A007	Blue 2773
M01211A008	Stepping Stone SW2832
M01211A009	Pearl 2837
M01211A010	Orange 2843
M01211A011	Warm Gray/2849
M01211A012	Blue End/2864
M01211A013	Blue 4280/2688
M01211A014	Silver 2949
M01211A015	Yellow 2138
M01211A016	Silver 2980
M01211A017	Cool Gray 2957
M01211A018	Red End 2695
M01211A019	Green End 2594
M01211A020	Blue End 2969
M01211A021	Red End 2866
M01211A022	Blue End 2935

M01211A023	End 2866/End 2485
M01211A024	Blue End 2986
M01211A025	Beige 2993
Center Door without CIM	
Door Part Number	Color
M01212A001	Gray1804
M01212A002	Black 1681
M01212A003	White 2485
M01212A004	Red 2738
M01212A005	Gray 2733
M01212A007	Blue 2773
M01212A008	Stepping Stone SW2832
M01212A009	Pearl 2837
M01212A010	Orange 2843
M01212A011	Warm Gray 2849
M01212A012	Blue End/2864
M01212A013	Blue 4280/2688
M01212A014	Silver 2949
M01212A015	Yellow 2138
M01212A016	Silver 2980
M01212A017	Cool Gray 2957
M01212A018	Red End 2695
M01212A019	Green End 2594
M01212A020	Blue End 2969
M01212A021	Red End 2866
M01212A022	Blue End 2935
M01212A023	End 2866/End 2485
M01212A024	Blue End 2986
M01212A025	Beige 2993

Naming Convention for Encore S Doors

For Encore S doors, part numbers break down as:

Part Number		Description		
M06239		Door No CRIND (4 Boot Max)		
M06247		Monochrome Door		
M06248		Monochrome Door with Scanner		
M07379		Door No CRIND (2 Boot Max)		
A	X	X	X	XXX
	0 = No Boots	0	0 = No Boots	Color (see "Color Chart for Encore S/Encore S Enhanced Doors" on page 2-15)
	1 = Push to Start		1 = 1 Boot Right	
	2 = Lift to Start		2 = 1 Boot Left	
			3 = 2 Boots Split	
			4 = 2 Boots Right	
			5 = 3 Boots (2 Right)	
			6 = 4 Boots	
			7 = 3 Boots (2 Left)	

Part Number		Description		
M07033		Color or Cash Acceptor Door		
A	X	X	X	XXX
	0 = No Boots	0	0 = No Boots	Color (see "Color Chart for Encore S/Encore S Enhanced Doors" on page 2-15)
	1 = Push to Start		1 = 1 Boot Right	
	2 = Lift to Start		2 = 1 Boot Left	
	5 = Push to Start with Cash Acceptor Monochrome		3 = 2 Boots Split	
	6 = Lift to Start with Cash Acceptor Monochrome		4 = 2 Boots Right	
	7 = Push to Start with Cash Acceptor Color		5 = 3 Boots (2 Right)	
	8 = Lift to Start with Cash Acceptor Color		6 = 4 Boots	
			7 = 3 Boots (2 left)	

Naming Convention for Encore S Enhanced Doors

The Encore S Enhanced door part numbers breaks down as:

Part Number		Description		
M07995		Color Door		
M07996		Monochrome Door		
M07997		EMV Door		
A	X	X	X	XXX
	0 = No Boots	0 = No Options	0 = No Boots	Color (see "Color Chart for Encore S/Encore S Enhanced Doors")
	1 = Push to Start	1 = Scanner	1 = Right	
	2 = Lift to Start	4 = Cash Acceptor	2 = Left	
		5 = Cash & Scanner	3 = Both Boots	

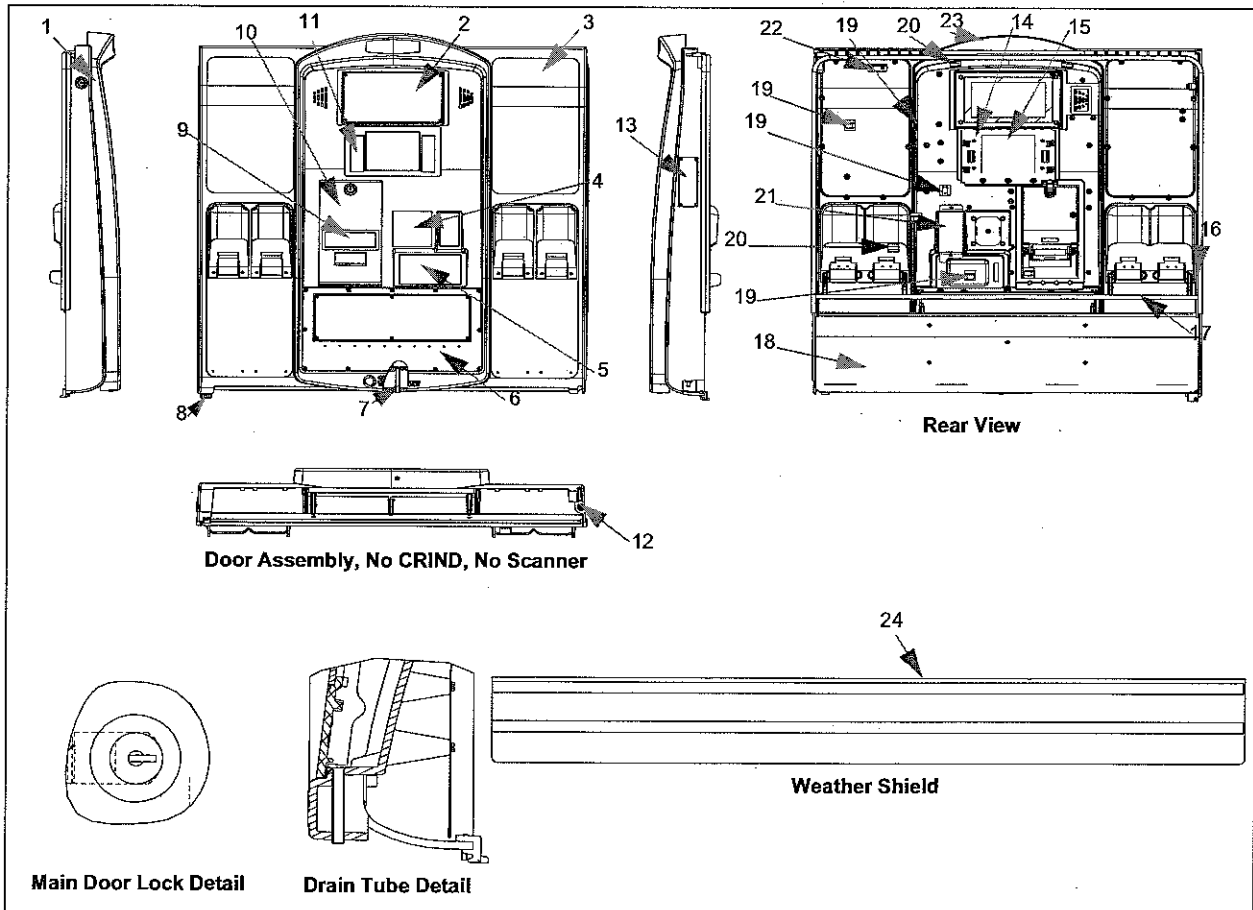
For example, a number M07996A101002 = Monochrome door, no cash or scanner, 1 boot right in the 002 color of Black.

Color Chart for Encore S/Encore S Enhanced Doors

Master Color Code	Left Side	Center CIM	Right Side	Solid Door
001	White 2485	Black 2332	White 2485	-
002	-	-	-	Black 2332
003	Ming Blue 2948	Silver 2949	Ming Blue 2948	-
004	-	-	-	Blue 2773
005	-	-	-	White 2485
006	-	-	-	BP Pearl 2837
007	-	-	-	Gray 2600
008	-	-	-	Gray 2957
009	-	-	-	Gray 2733
010	Black 2332	Gray 2957	Black 2332	-
011	-	-	-	Blue 2864
012	Black 2332	Silver 2949	Black 2332	-
013	Red 2695	Silver 2949	Red 2695	-
014	Black 2332	Silver 2949	Black 2332	-
015	-	-	-	Silver 2949
016	Blue 2773	Silver 2949	Blue 2773	-
017	Silver 2949	Blue 2969	Silver 2949	-
018	Gray 2957	Black 2332	Gray 2957	-
019	Blue 2935	Silver 2949	Blue 2935	-
020	Blue 2986	Silver 2949	Blue 2986	-
021	-	-	-	Beige 2993
022	White 2485	Blue 2986	White 2485	-
023	Green 2594	Gray 2957	Green 2594	-

Master Color Code	Left Side	Center CIM	Right Side	Solid Door
024	Orange 3008	Silver 2949	Orange 3008	-
025	Blue 2969	Gray 2957	Blue 2969	-
026	-	-	-	Red 2695
027	Blue 3013	Gray 2957	Blue 3013	-
028	-	-	-	Red 2866
029	Silver 2949	Red 2695	Silver 2949	-

Encore S Weather Shield Door Assembly, No CRIND/Scanner



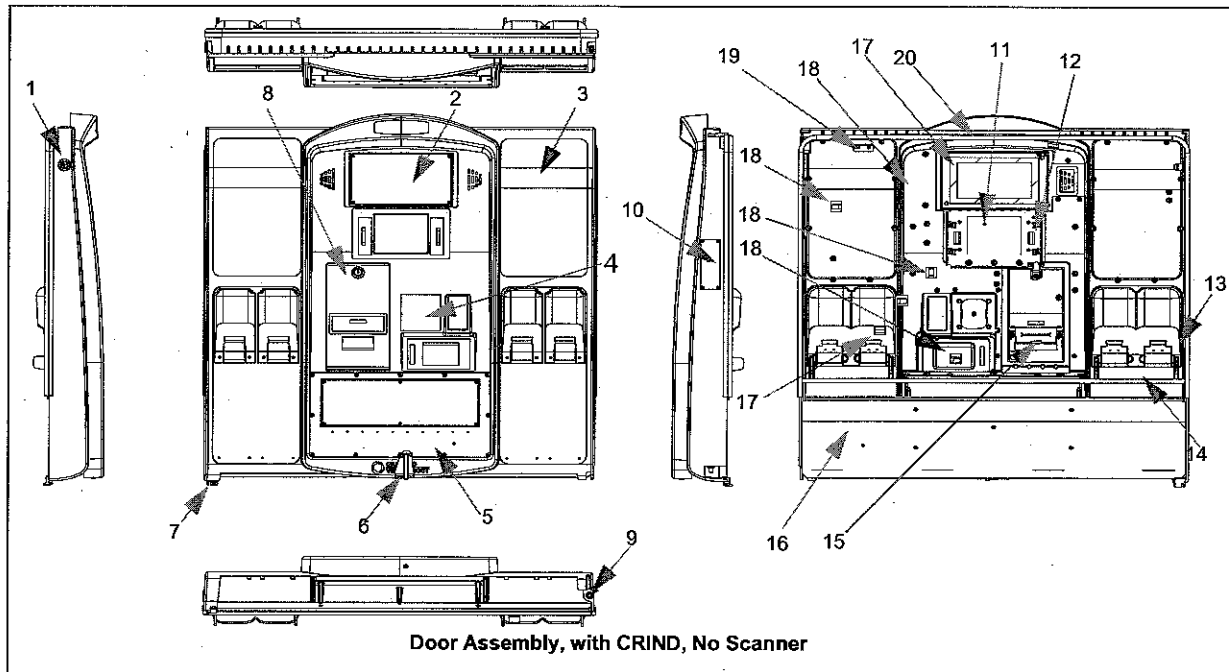
Item #	Part Description	Current Part	Quantity
1	Main Door Lock	Q12542-03	1
2	Main Display Lens	M05985B001	1
3	Encore Main Door	M05691B001	1
4	TRIND Gasket	M06216B001	1
5	Blank CRIND Keypad	M01284A001	1
6	Assembly, PPU Lens and Panel	M06193A001	1
7	Drain Tube	M06534B001	1
8	Latch Support	M05736B002	1
9	Blanking Plate Softkey	M06048A001	1
10	Printer Door Assembly	M06071A002	1
11	Blanking Plate Monochrome Cabling Assembly	M06373A001	2
12	Pin Lower Hinge	R19176-01	1
13	Totalizer Lens	M05986B001	1
14	Monochrome Bracket	M05961A001	1
15	Monochrome Display Lens	M02650B001	1
16	Gasket, Flex with Bulb Encore Doors	Q12406-14	1
17	Gasket, Flex with Bulb Encore Doors	Q12406-13	1
18	Air Gap Main Door Panel	M00328B003	1
19	Cable Mount Adhesive Releasable	Q13558-04	5
20	Clamp Adhesive Backed Flat Cable Mount	M01102B002	3
21	Card Reader Bracket	M00682B002	1
22	Door Prop Bracket	M06147B001	1
23	Plug Bezel Hood	M06039B001	1
24	Weather Shield, Encore 'S' Series	M06833A001	1

Notes:

1. Doors come in various colors. When placing the order, specify the color. Door graphics are order entry items and must be ordered individually. For additional color information, refer to "Door Assembly Table with Color Schemes" on page 2-11.

2. M06071A007 is an order entry item and must be specified during order entry.

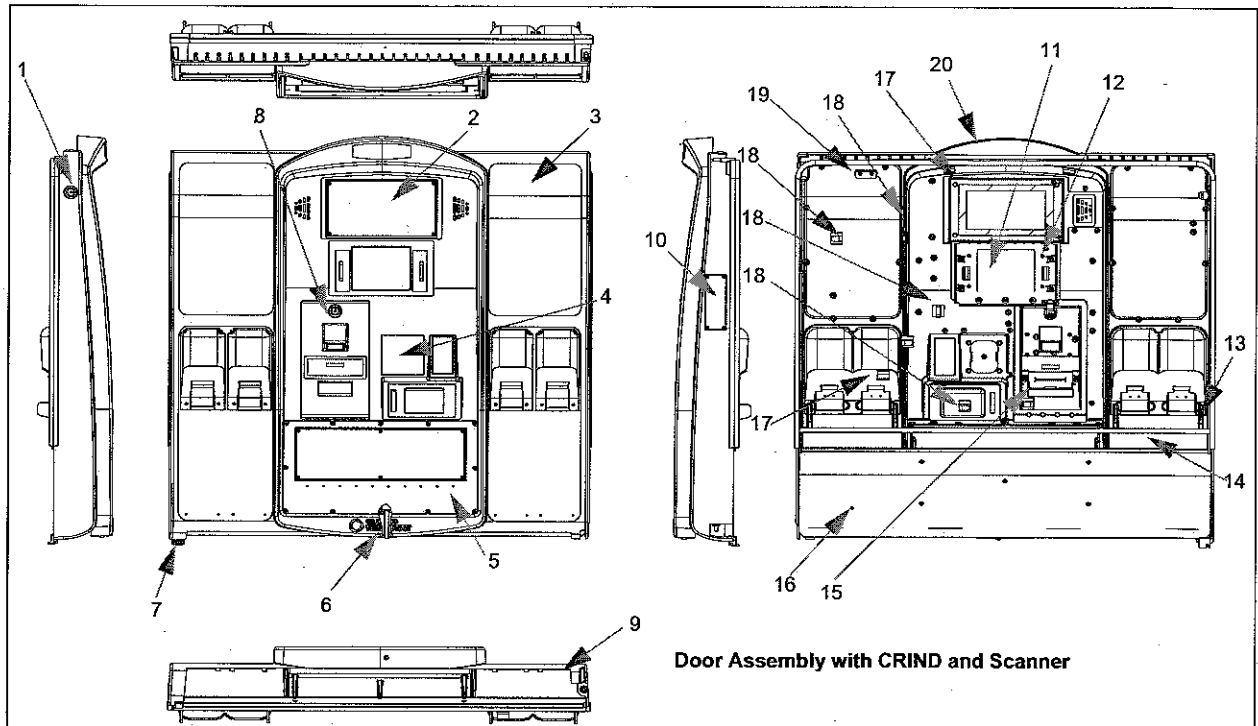
Encore S Door Assembly, with CRIND, No Scanner



Item #	Part Description	Current Part	Quantity
1	Main Door Lock	Q12542-03	1
2	Main Display Lens	M05985B001	1
3	Encore Main Door	M05691B001	1
4	TRIND Gasket	M06216B001	1
5	Assembly, PPU Lens and Panel	M06193A001	1
6	Drain Tube	M06534B001	1
7	Latch Support	M05736B002	1
8	Printer Door Assembly	M06071A002	1
9	Pin Lower Hinge	R19176-01	1
10	Totalizer Lens	M05986B001	1
11	Monochrome Display Lens	M02650B001	1
12	Monochrome Bracket	M05961A001	1
13	Gasket, Flex with Bulb Encore Doors	Q12406-14	1
14	Gasket, Flex with Bulb Encore Doors	Q12406-13	1
15	Gasket Printer Chute	M06691B001	1
16	Air Gap Main Door Panel	M00328B003	1
17	Clamp Adhesive Backed Flat Cable Mount	M01102B002	3
18	Cable Mount Adhesive Releasable	Q13558-04	5
19	Door Prop Bracket	M06147B001	1
20	Plug Bezel Hood	M06039B001	1

Note: Doors come in various colors. When placing the order, specify the color. Door graphics are order entry items and must be ordered individually. For additional color information, refer to "Door Assembly Table with Color Schemes" on page 2-11.

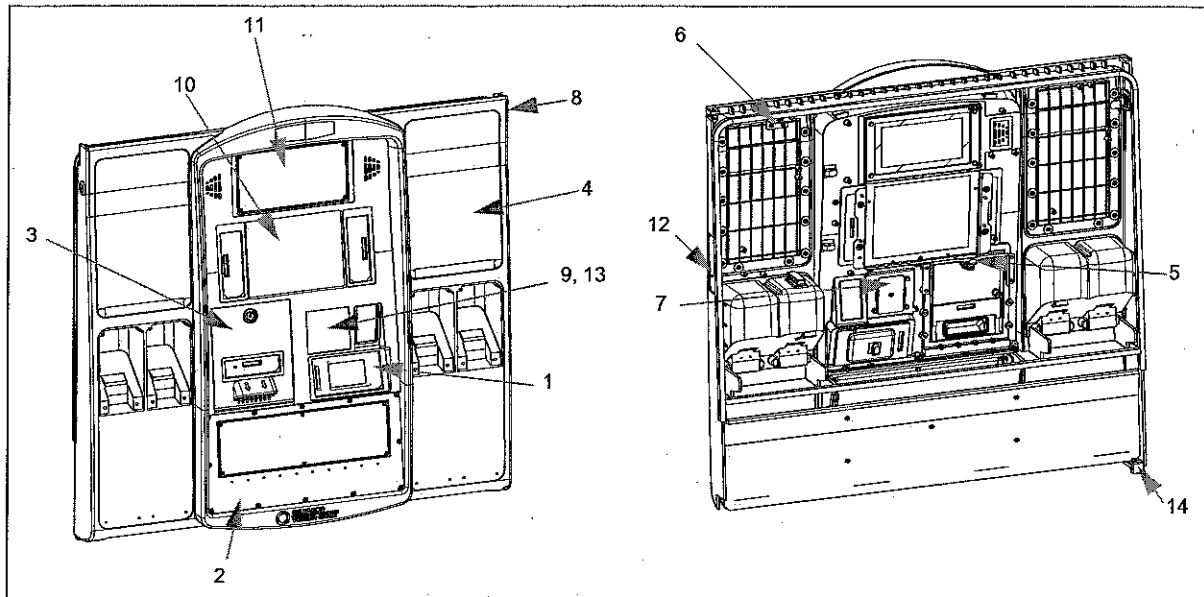
Encore S Door Assembly, with CRIND and Scanner



Item #	Part Description	Current Part	Previous Part	Quantity
1	Main Door Lock	Q12542-03	-	1
2	Main Display Lens	M05985B001	-	1
3	Encore Main Door	M05691B001	-	1
4	TRIND Gasket	M06216B001	-	1
5	Assembly, PPU Lens and Panel	M06193A001	-	1
6	Drain Tube	M06534B001	-	1
7	Latch Support	M05736B002	-	1
8	Printer Door Assembly	M06071A002	-	1
9	Pin Lower Hinge	R19176-01	-	1
10	Totalizer Lens	M05986B001	-	1
11	Monochrome Display Lens	M02650B001	-	1
12	Monochrome Bracket	M05961A001	-	1
13	Gasket, Flex with Bulb Encore Doors	Q12406-14	-	1
14	Gasket, Flex with Bulb Encore Doors	Q12406-13	-	1
15	Gasket Printer Chute	M06691B001	-	1
16	Air Gap Main Door Panel	M00328B003	-	1
17	Clamp Adhesive Backed Flat Cable Mount	M01102B002	-	3
18	Cable Mount Adhesive Releasable	Q13558-04	-	5
19	Door Prop Bracket	M06147B001	-	1
20	Plug Bezel Hood	M06039B001	-	1

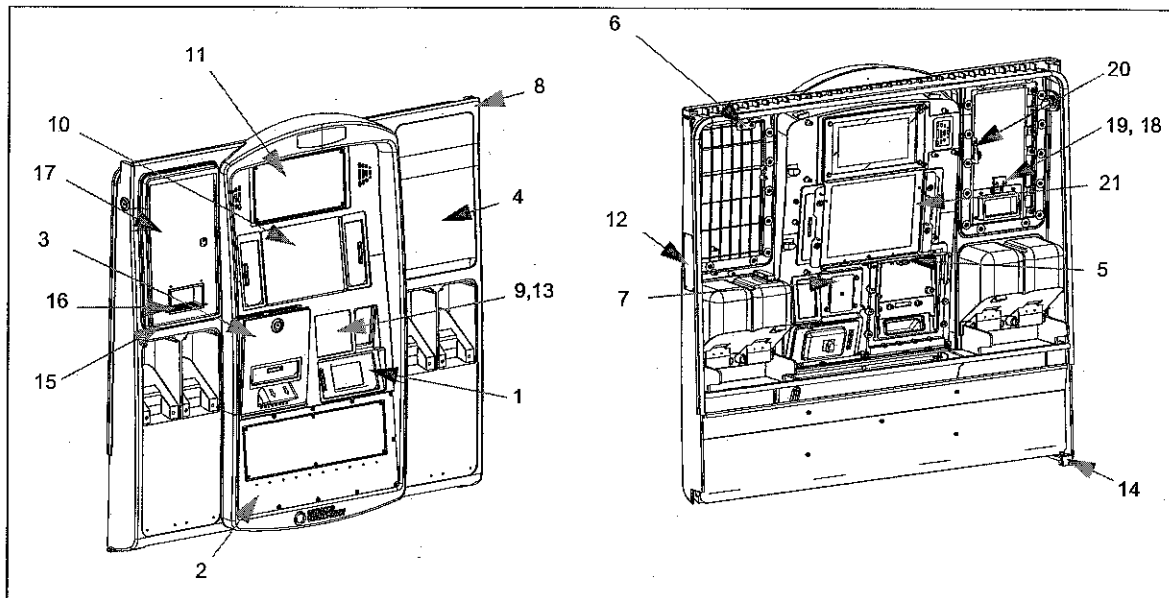
Note: Doors come in various colors. When placing the order, specify the color. Door graphics are order entry items and must be ordered individually. For additional color information, refer to "Door Assembly Table with Color Schemes" on page 2-11.

Encore S Door Assembly, with Color Monitor



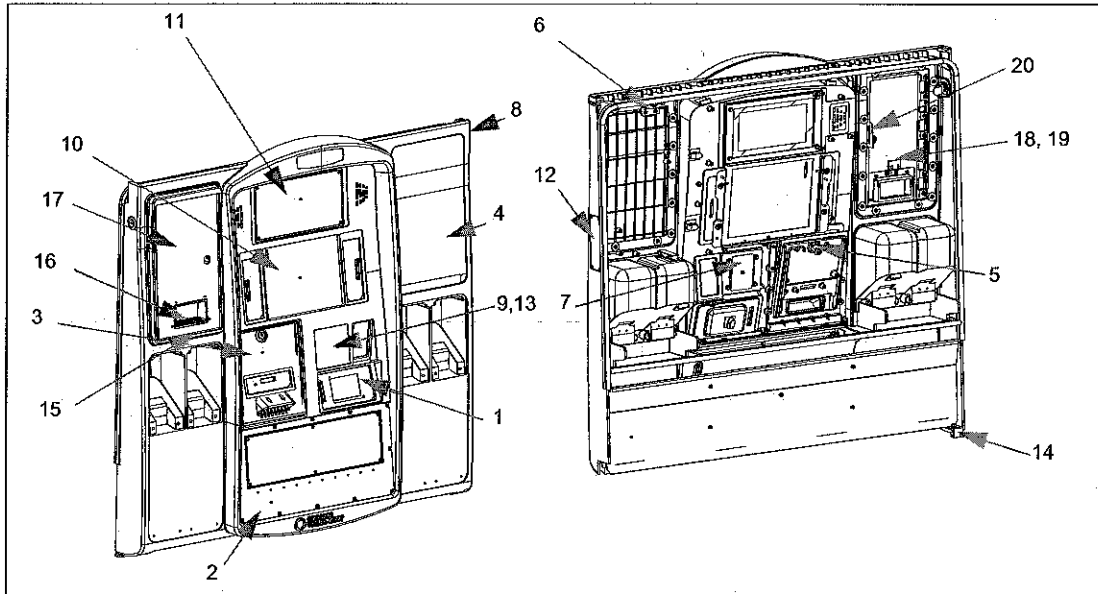
Item #	Part Description	Current Part	Previous Part	Quantity
1	Adhesive, Encore Keypad	M06966B001	-	1
2	Assembly, PPU Lens and Panel	M06193A001	-	1
3	Assembly Printer Door Encore	M06974A001	-	1
4	Blanking Plate	M06850B001	-	2
5	Bracket Lock Cam Guide	M06965B001	-	1
6	Bracket, Door Prop	M06147B002	-	1
7	Bracket, TRIND Plug Security	M06730B001	-	1
8	Door Main Encore Color	M06815B001	-	1
9	Gasket, TRIND	M06010B002	-	1
10	Lens Color 10.4	M06870B001	-	1
11	Lens, Main Display	M05985B001	-	1
12	Lens, Totalizer	M05986B001	-	1
13	Plug TRIND Opening	M06216B001	-	1
14	Support, Latch	M05736B002	-	1

Encore S Door Assembly, with Monochrome with Cash



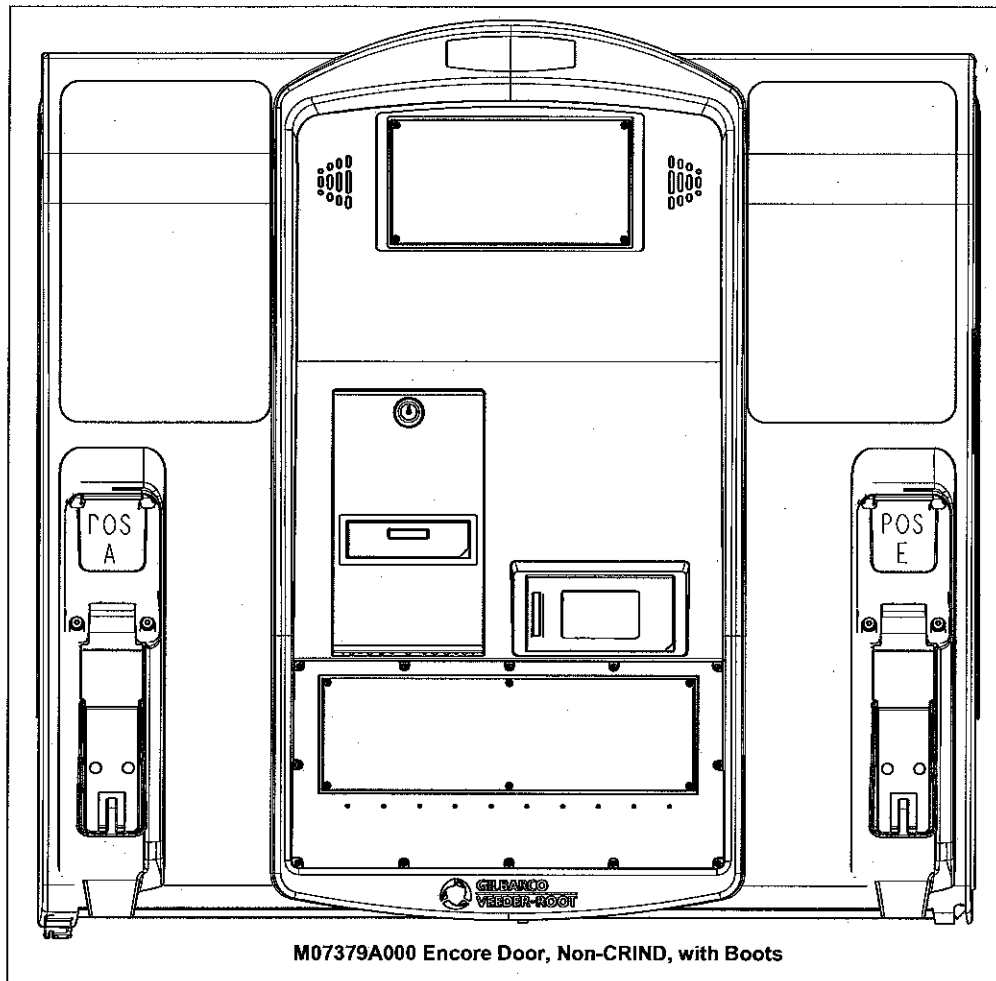
Item #	Part Description	Current Part	Previous Part	Quantity
1	Adhesive, Encore Keypad	M06966B001	-	1
2	Assembly, PPU Lens and Panel	M06193A001	-	1
3	Assembly Printer Door Encore	M06974A001	-	1
4	Blanking Plate	M06850B001	-	2
5	Bracket Lock Cam Guide	M06965B001	-	1
6	Bracket, Door Prop	M06147B002	-	1
7	Bracket, TRIND Plug Security	M06730B001	-	1
8	Door Main Encore Color	M06815B001	-	1
9	Gasket, TRIND	M06010B002	-	1
10	Lens Monochrome	M06870B002	-	1
11	Lens, Main Display	M05985B001	-	1
12	Lens, Totalizer	M05986B001	-	1
13	Plug TRIND Opening	M06216B001	-	1
14	Support, Latch	M05736B002	-	1
15	Frame Door Note Acceptor (Machined)	M07443B010	-	1
16	Housing Note Receiver Entry Shute	M07446B010	-	1
17	Assy Door Security Note Acceptor	M07445A001	-	1
18	Bracket Actuator Switch Mounting	M07616B001	-	1
19	Switch Magnetic Reed	Q12514-02	-	1
20	Bracket Lock Cam Guide	M07618B001	-	1
21	Monochrome Mounting Bracket	M07111A001	-	1

Encore S Door Assembly, with Color with Cash



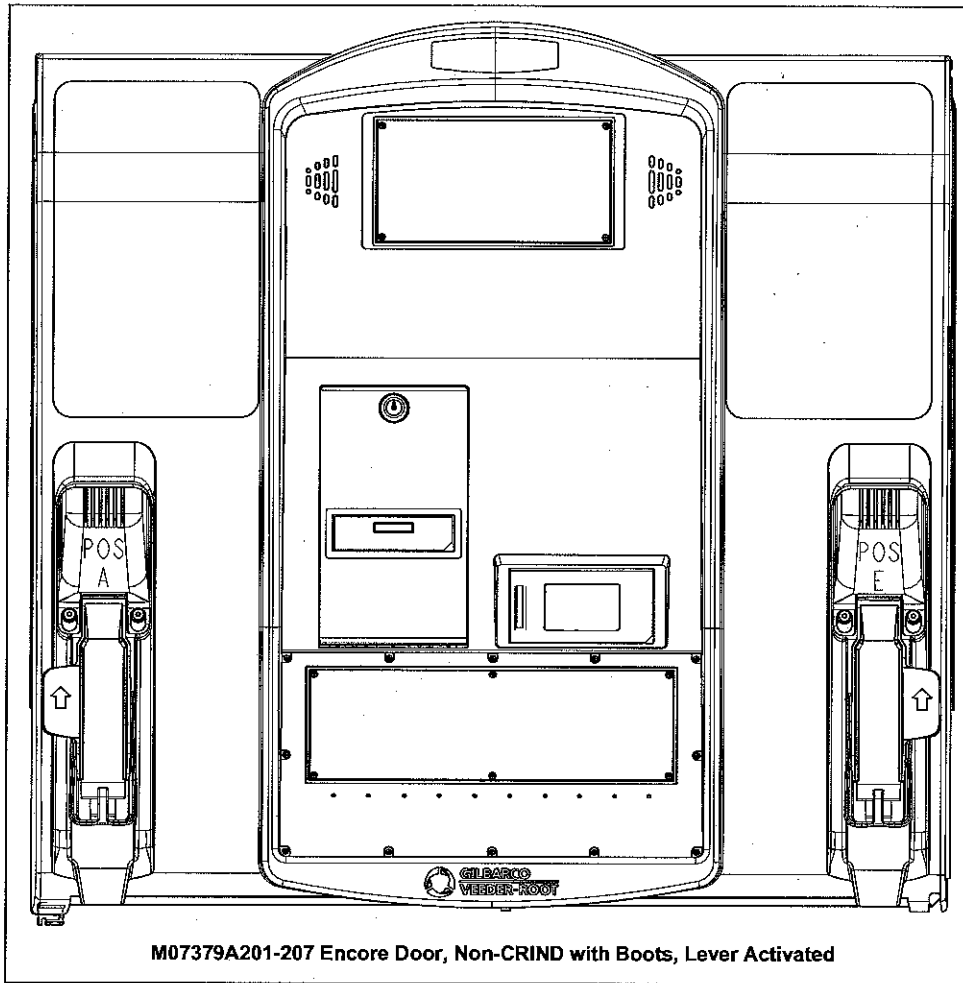
Item #	Part Description	Current Part	Previous Part	Quantity
1	Adhesive, Encore Keypad	M06966B001	-	1
2	Assembly, PPU Lens and Panel	M06193A001	-	1
3	Assembly Printer Door Encore	M06974A001	-	1
4	Blanking Plate	M06850B001	-	2
5	Bracket Lock Cam Guide	M06965B001	-	1
6	Bracket, Door Prop	M06147B002	-	1
7	Bracket, TRIND Plug Security	M06730B001	-	1
8	Door Main Encore Color	M06815B001	-	1
9	Gasket, TRIND	M06010B002	-	1
10	Lens, Color 10.4"	M06870B001	-	1
11	Lens, Main Display	M05985B001	-	1
12	Lens, Totalizer	M05986B001	-	1
13	Plug TRIND Opening	M06216B001	-	1
14	Support, Latch	M05736B002	-	1
15	Frame Door Note Acceptor (Machined)	M07443B010	-	1
16	Housing Note Receiver Entry Shute	M07446B010	-	1
17	Assy Door Security Note Acceptor	M07445A001	-	1
18	Bracket Actuator Switch Mounting	M07616B001	-	1
19	Switch Magnetic Reed	Q12514-02	-	1
20	Bracket Lock Cam Guide	M07618B001	-	1

Encore S Door, Non-CRIND, with Boots, Flapper Activated



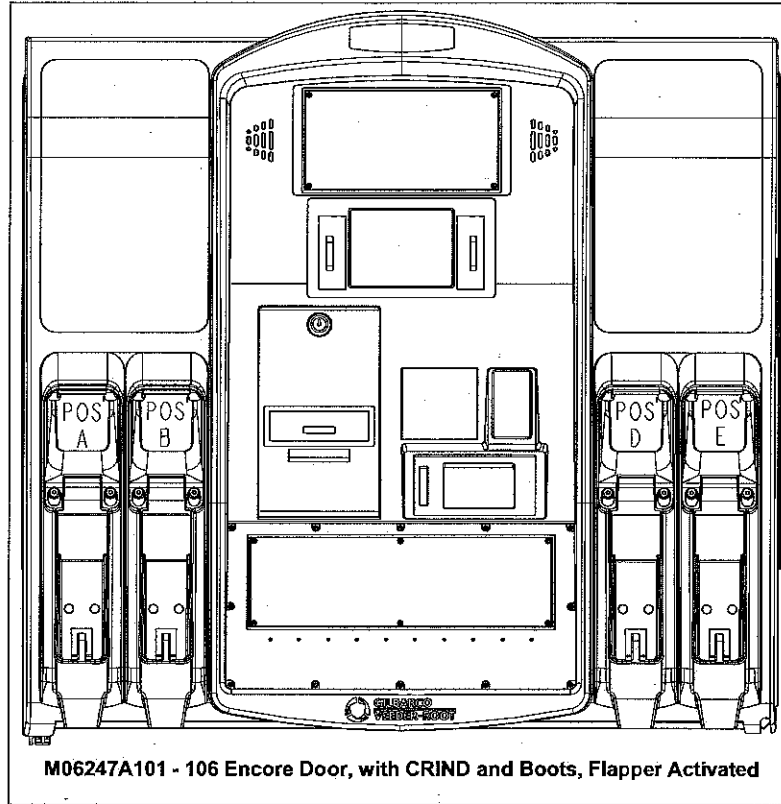
Part Number	Nozzle Boot/ Position	Mounting Hardware/ Quantity	Blanking Plate/ Position	Mounting Hardware/ Quantity		Description
				M00419B311	M01118B001	
M07379A000	-	-	A&E	4	4	No Boot
M07379A101	E	2	A	2	2	Flapper Activated, One Boot Right
M07379A102	A	2	E	2	2	Flapper Activated, One Boot Left
M07379A103	A&E	4	-	-	-	Flapper Activated, Two Boot Split
M07379A104	-	-	-	-	-	Flapper Activated, Two Boot Right not Released
M07379A105	-	-	-	-	-	Flapper Activated, Three Boot not Released
M07379A106	-	-	-	-	-	Flapper Activated, Four Boot not Released
M07379A107	-	-	-	-	-	Flapper Activated, Three Boot not Released

Encore S Door, Non-CRIND, with Boots, Lever Activated



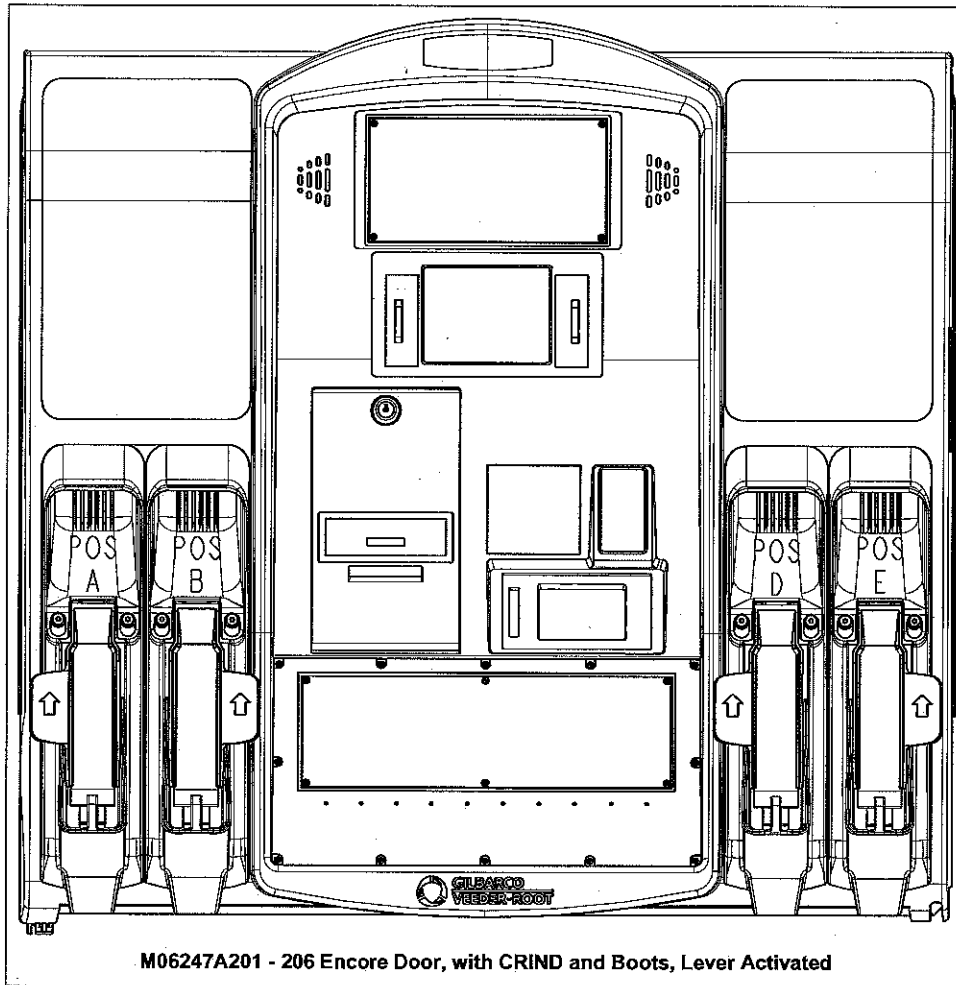
Part Number	Nozzle Boot/ Position		Mounting Hardware/ Quantity	Blanking Plate/ Position	Mounting Hardware/Quantity		Description
	M05912A002	M05912A003			M01118B002	M07418A001	
M07379A201	E	-	2	a	-2	2	Lever Activated, One Boot Right
M07379A202	-	A	2	E	2	2	Lever Activated, One Boot Left
M07379A203	E	A	4	-	-	-	Lever Activated, Two Boot Split
M07379A204	-	-	-	-	-	-	Lever Activated, Two Boot Right Not Released
M07379A205	-	-	-	-	-	-	Lever Activated, Three Boot not Released
M07379A206	-	-	-	-	-	-	Lever Activated, Four Boot not Released
M07379A207	-	-	-	-	-	-	Lever Activated, Three Boot not Released

Encore S Door, with CRIND and Boots, Flapper Activated



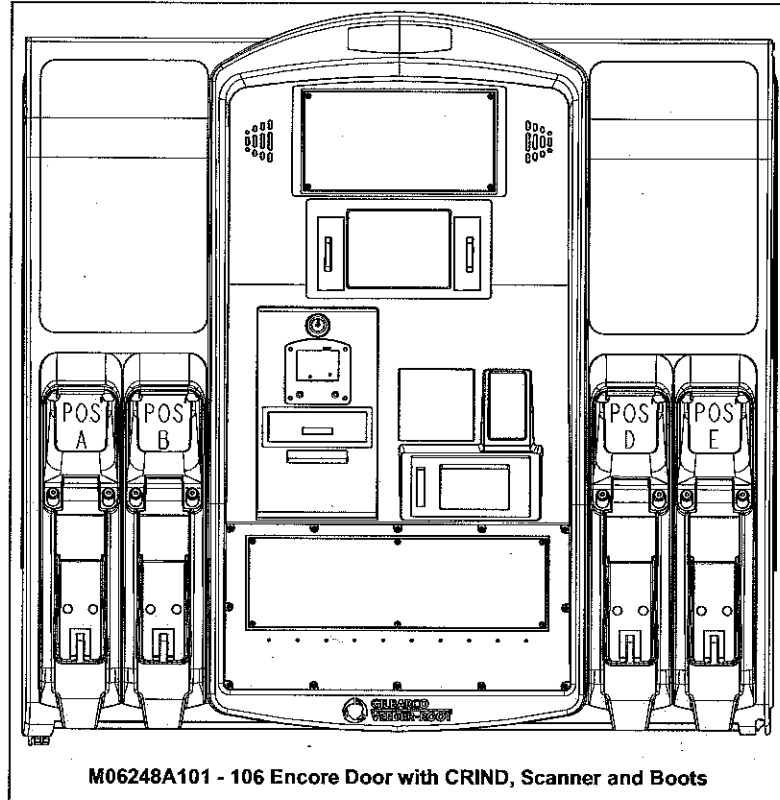
Part Number	Description	Nozzle Boot/ Position	Blanking Plate/Position		
		M05912A001	M06322A001	M06322A002	M06324A001
M06247A101	Flapper Activated, One Boot Right	E	D	-	AB
M06247A102	Flapper Activated, One Boot Left	A	-	B	DE
M06247A103	Flapper Activated, Two Boot Split	A&E	D	B	-
M06247A104	Flapper Activated, Two Boot Right	D&E	-	-	AB
M06247A105	Flapper Activated, Three Boot	A&D&E	-	B	-
M06247A106	Flapper Activated, Four Boot	A&B&D&E	-	-	-

Encore S Door, with CRIND and Boots, Lever Activated



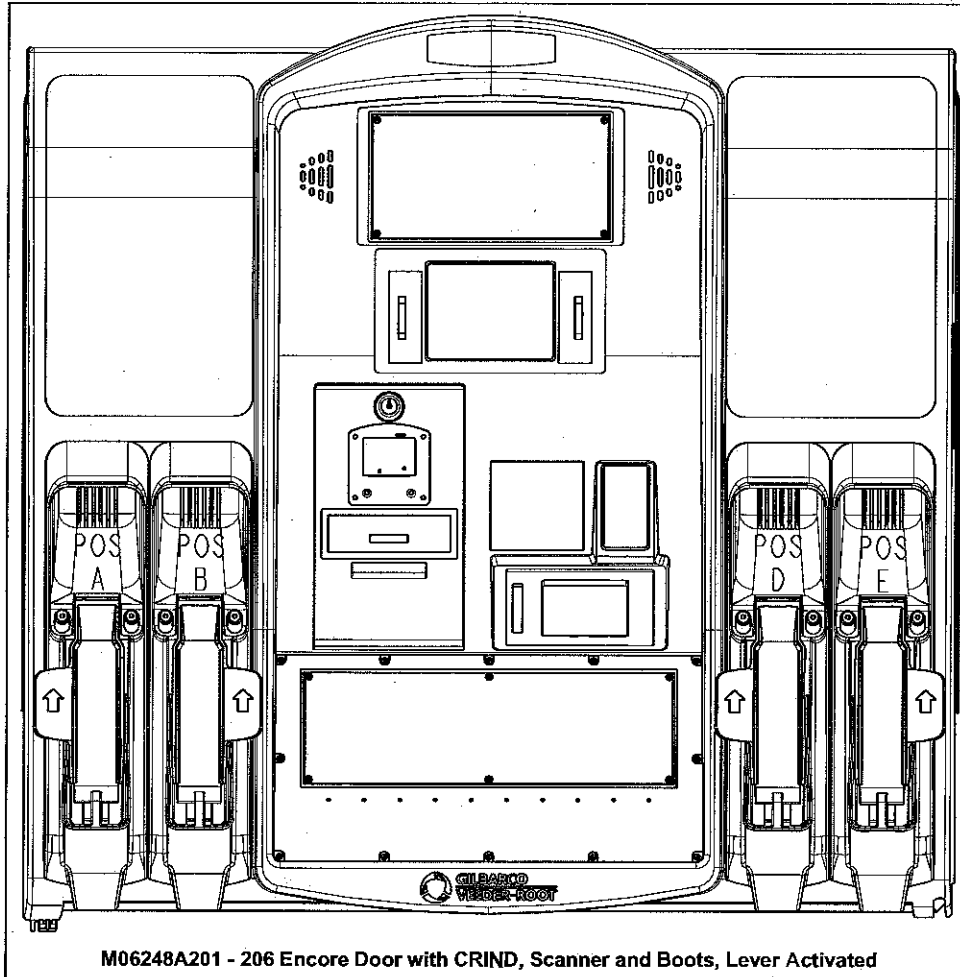
Part Number	Description	Nozzle Boot Position		Blanking Plate Position		
		M05912A002	M05912A003	M06322A001	M06322A002	M06324A001
M06247A201	Lever Activated, One Boot Right	E	-	D	-	AB
M06247A202	Lever Activated, One Boot Left	-	A	-	B	DE
M06247A203	Lever Activated, Two Boot Split	E	A	D	B	
M06247A204	Flapper Activated, Two Boot Split	E	D	-	-	AB
M06247A205	Flapper Activated, Two Boot Split	E	A&D	-	B	-
M06247A206	Lever Activated, Four Boot	B&E	A&D	-	-	-

Encore S Door with CRIND/Scanner and Boots, Flapper Activated



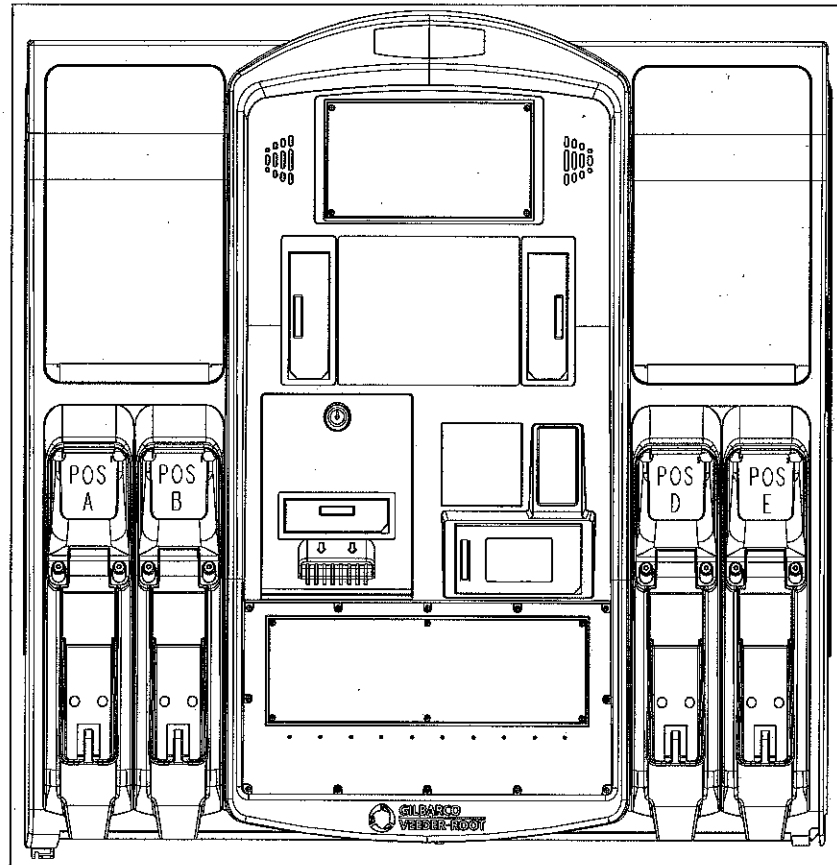
Part Number	Description	Nozzle Boot Position	Blanking Plate Position		
		M05912A001	M06322A001	M06322A002	M06324A001
M06248A101	Flapper Activated, One Boot Right	E	D	-	AB
M06248A102	Flapper Activated, One Boot Left	A	-	B	DE
M06248A103	Flapper Activated, Two Boot Split	A&E	D	B	-
M06248A104	Flapper Activated, Two Boot Right	D&E	-	-	AB
M06248A105	Flapper Activated, Three Boot	A&D&E	-	B	-
M06248A106	Flapper Activated, Four Boot	A&B&D&E	-	-	-

Encore S Door with CRIND/Scanner and Boots, Lever Activated



Part Number	Description	Nozzle Boot Position		Blanking Plate Position		
		M05912A002	M05912A003	M06322A001	M06322A002	M06324A001
M06248A201	Lever Activated, One Boot Right	E	-	D	-	AB
M06248A202	Lever Activated, One Boot Left	-	A	-	B	DE
M06248A203	Lever Activated, Two Boot Split	E	A	D	B	
M06248A204	Lever Activated, Two Boot Right	E	D	-	-	AB
M06248A205	Lever Activated, Three Boot	E	A&D	-	B	-
M06239A206	Lever Activated, Four Boot	B&E	A&D	-	-	-

Encore S Door with Color Monitor and Boots

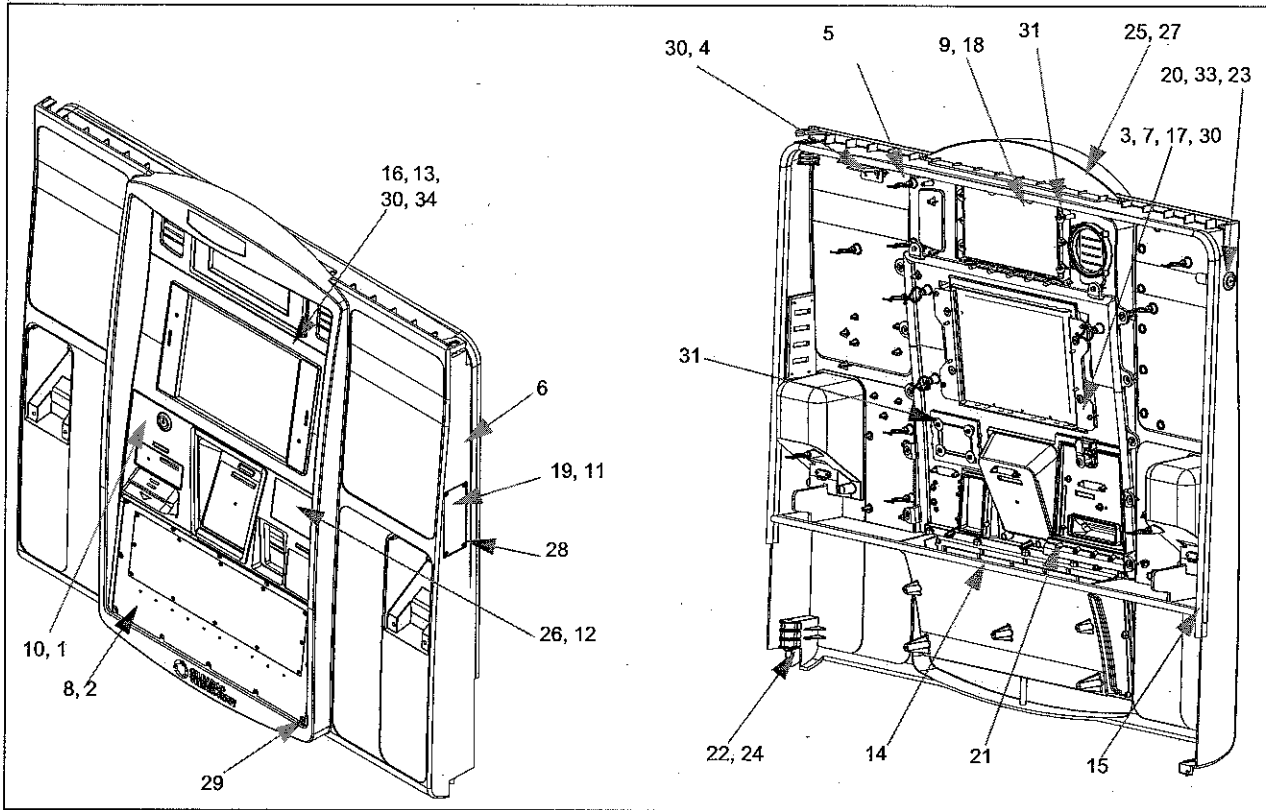


Part Number	Description	Nozzle Boot Position			Mounting Hardware /Quantity	Blanking Plate Position			Mounting Hardware/Quantity	
		M05912 A001	M05912 A002	M05912 A103		M01118 B002	M06322 A001	M06322 A002	M06324 A001	M00419 B311
M07033A101	Flapper Activated, One Boot Right	E	-	-	2	D	-	AB	4	4
M07033A501	Flapper Activated, One Boot Right	E	-	-	2	D	-	AB	4	4
M07033A701	Lever Activated, One Boot Right	-	E	-	2	D	-	AB	4	4
M07033A102	Flapper Activated, One Boot Left	A	-	-	2	-	B	DE	4	4
M07033A502	Flapper Activated, One Boot Left	A	-	-	2	-	B	DE	4	4
M07033A702	Lever Activated, One Boot Left	-	-	A	2	-	B	DE	4	4
M07033A103	Flapper Activated, Two Boot Split	A & E	-	-	4	D	B	-	4	4
M07033A503	Flapper Activated, Two Boot Split	-	E	A	4	D	B	-	4	4

Part Number	Description	Nozzle Boot Position			Mounting Hardware /Quantity	Blanking Plate Position			Mounting Hardware/ Quantity	
		M05912 A001	M05912 A002	M05912 A103		M01118 B002	M06322 A001	M06322 A002	M06324 A001	M00419 B311
M07033A703	Lever Activated, Two Boot Split	-	E	A	4	D	B	-	4	4
M07033A104	Flapper Activated, Two Boot Right	D & E	-	-	4	-	-	AB	2	2
M07033A504	Flapper Activated, Two Boot Right	D & E	-	-	4	-	-	AB	2	2
M07033A704	Lever Activated, Two Boot Right	-	E	D	4	-	-	AB	2	2
M07033A105	Flapper Activated, Three Boot	A & D & E	-	-	6	-	B	-	2	2
M07033A505	Flapper Activated, Three Boot	A & D & E	-	-	6	-	B	-	2	2
M07033A705	Lever Activated, Three Boot	-	E	A & D	6	-	B	-	2	2
M07033A106	Flapper Activated, Four Boot	A & B & D & E	-	-	8	-	-	-	-	-
M07033A506	Flapper Activated, Four Boot	A & B & D & E	-	-	8	-	-	-	-	-
M07033A706	Lever Activated, Four Boot	-	B & E	A & D	8	-	-	-	-	-
M07033A107	Flapper Activated, Three Boot	A & B & E	-	-	6	D	-	-	2	2
M07033A507	Flapper Activated, Three Boot	A & B & E	-	-	6	D	-	-	2	2
M07033A707	Lever Activated, Three Boot	-	B & E	A	6	D	-	-	2	2

Part Number	Description	Nozzle Boot Position		Mounting Hardware /Quantity	Blanking Plate Position			Mounting Hardware/Quantity	
		M05912 A002	M05912 A003		M01118 B002	M06322 A001	M06322 A002	M06324 A001	M00419 B311
M07033A201	Lever Activated, One Boot Right	E	-	2	D	-	AB	4	4
M07033A601	Lever Activated, One Boot Right	E	-	2	D	-	AB	4	4
M07033A801	Lever Activated, One Boot Right	E	-	2	D	-	AB	4	4
M07033A202	Lever Activated, One Boot Left	-	A	2	-	B	DE	4	4
M07033A602	Lever Activated, One Boot Left	-	A	2	-	B	DE	4	4
M07033A802	Lever Activated, One Boot Left	-	A	2	-	B	DE	4	4
M07033A203	Lever Activated, Two Boot Split	E	A	4	D	B	-	4	4
M07033A603	Lever Activated, Two Boot Split	E	A	4	D	B	-	4	4
M07033A803	Lever Activated, Two Boot Split	E	A	4	D	B	-	4	4
M07033A204	Lever Activated, Two Boot Right	E	D	4	-	-	AB	2	2
M07033A604	Lever Activated, Two Boot Right	E	D	4	-	-	AB	2	2
M07033A804	Lever Activated, Two Boot Right	E	D	4	-	-	AB	2	2
M07033A205	Lever Activated, Three Boot	E	A & D	6	-	B	-	2	2
M07033A605	Lever Activated, Three Boot	E	A & D	6	-	B	-	2	2
M07033A805	Lever Activated, Three Boot	E	A & D	6	-	B	-	2	2
M07033A206	Lever Activated, Four Boot	B & E	A & D	8	-	-	-	-	-
M07033A606	Lever Activated, Four Boot	B & E	A & D	8	-	-	-	-	-
M07033A806	Lever Activated, Four Boot	B & E	A & D	8	-	-	-	-	-
M07033A207	Lever Activated, Three Boot	B & E	A	6	D	-	-	2	2
M07033A607	Lever Activated, Three Boot	B & E	A	6	D	-	-	2	2
M07033A807	Lever Activated, Three Boot	B & E	A	6	D	-	-	2	2

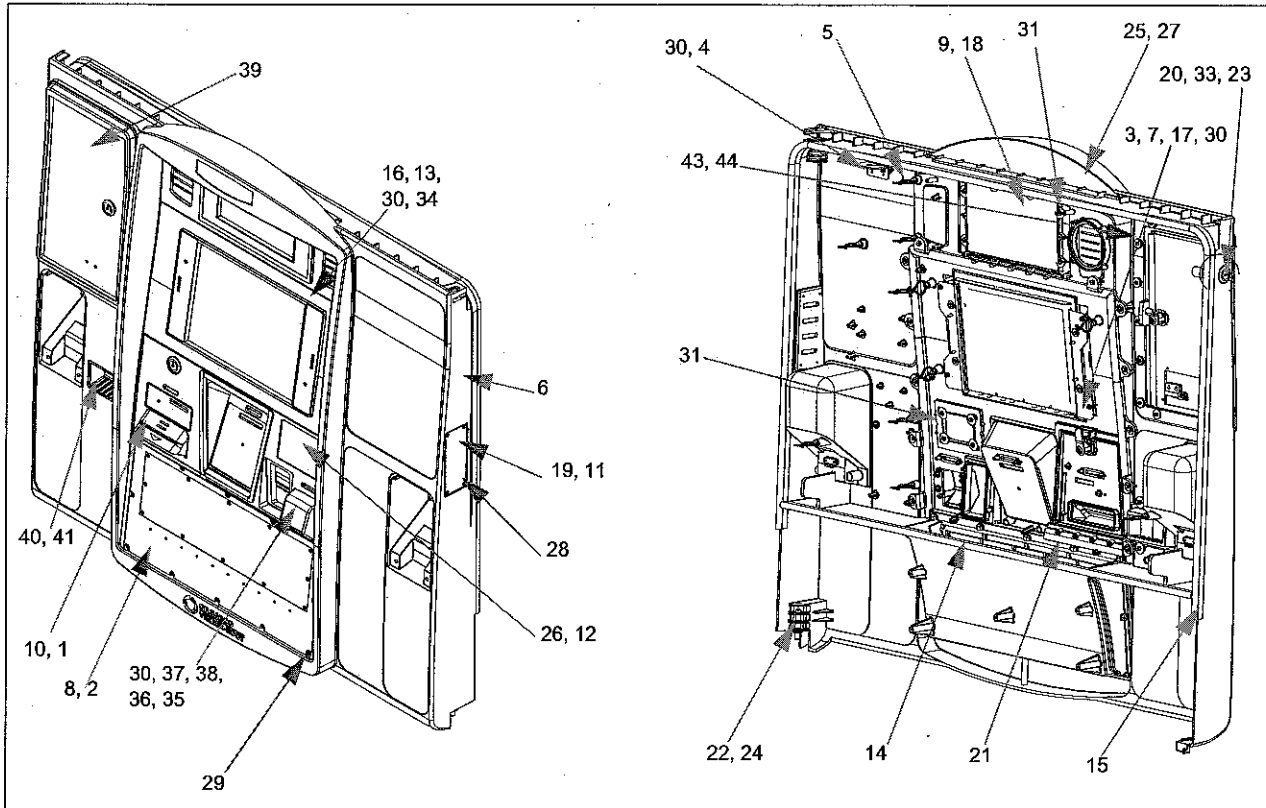
Encore S Enhanced Door Assembly, with 10.4-inch Display, No Cash and No Scanner



Item #	Description	Current Part	Quantity
1	Assembly, Printer Door Encore S Enhanced	M07991A001	1
2	Assembly, PPU Lens and Panel	M07757A001	1
3	Assembly Retainer Lens 10.4" Color	M06817A002	1
4	Bracket, Door Prop	M06147B002	1
5	Clip, Cable Push-in	M07914B001	13
6	Door, Main Encore S Enhanced	M07447B001	1
7	Gasket Color Display, 12.1"	M07668B001	1
8	Gasket PPU Panel	M05954B001	1
9	Gasket Price, Vol Display	M07667B001	1
10	Gasket Printer Door	M07652B001	1
11	Gasket Totalizer	M07655B001	1
12	Gasket TRIND Lens	M07715B001	1
13	Gasket, Cord	M08000B001	1
14	Gasket, Flex with Bulb Encore Doors	Q12406-18	1
15	Gasket, Flex with Bulb Encore Doors	Q12406-19	1
16	Insertable CIM-EMV Encore	M07450B002	1

Item #	Description	Current Part	Quantity
17	Lens 12.1" Screen	M07656B001	1
18	Lens, Main Display	M07697B001	1
19	Lens, Totalizer	M05986B001	1
20	Lock, Cylinder Face Sealing	Q12542-22	1
21	Nut, Metric, Hex with Ext M3 Blue	Q12885-03	4
22	O-Ring 0.114 X 0.070	Q10066-06	1
23	O-Ring 0.801 X 0.070	Q10066-19	1
24	Pin Lower Hinge	R19176-01	1
25	Plug, Hood Blanking	M07717B001	1
26	Plug, TRIND Encore S Enhanced	M07907B001	1
27	Screw Flat Head Phillips - M3X8	M00419B311	2
28	Screw Oval Head Phillips - M3X8	M00419B101	4
29	Screw Oval Head Phillips with Washer - M3X10	M00419B202	12
30	Screw, Slotted with Lw, 6-20X3/8	Q11677-24	14
31	Screw, Special, #6-20X3/8 Thread Forming	M08070B001	12
32	Tube, Drain	M06534B001	1
33	Washer Double D	Q12587-01	1
34	Gasket, Encore S Enhanced Sce-41, 1/4 X 1/2	027065	AR

Encore S Enhanced Door Assembly, with 10.4-inch Display, with Cash and Scanner



Item #	Description	Current Part	Quantity
1	Assembly Printer Door Encore S Enhanced	M07991A002	1
2	Assembly, PPU Lens and Panel	M07757A001	1
3	Assembly Retainer Lens 10.4" Color	M06817A002	1
4	Bracket, Door Prop	M06147B002	1
5	Clip, Cable Push-in	M07914B001	11
6	Door, Main Encore S Enhanced	M07447B002	1
7	Gasket Color Display, 12.1"	M07668B001	1
8	Gasket PPU Panel	M05954B001	1
9	Gasket Price, Vol Display	M07667B001	1
10	Gasket Printer Door	M07652B001	1
11	Gasket Totalizer	M07655B001	1
12	Gasket TRIND Lens	M07715B001	1
13	Gasket, Cord	M08000B001	1
14	Gasket, Flex with Bulb Encore Doors	Q12406-18	1
15	Gasket, Flex with Bulb Encore Doors	Q12406-19	1

Item #	Description	Current Part	Quantity
16	Insertable CIM-EMV Encore	M07450B032	1
17	Lens 12.1" Screen	M07656B001	1
18	Lens, Main Display	M07697B001	1
19	Lens, Totalizer	M05986B001	1
20	Lock, Cylinder Face Sealing	Q12542-22	1
21	Nut, Metric, Hex with Ext M3 Blue	Q12885-03	4
22	O-Ring 0.114 X 0.070	Q10066-06	1
23	O-Ring 0.801 X 0.070	Q10066-19	1
24	Pin Lower Hinge	R19176-01	1
25	Plug, Hood Blanking	M07717B001	1
26	Plug, TRIND Encore S Enhanced	M07907B001	1
27	Screw Flat Hd Phillips - M3X8	M00419B311	2
28	Screw Oval Head Phillips - M3X8	M00419B101	4
29	Screw Oval Head Phillips with Washer - M3X10	M00419B202	12
30	Screw, Slotted with Lw, 6-20X3/8	Q11677-24	18
31	Screw, Special, #6-20X3/8 Thread Forming	M08070B001	16
32	Tube, Drain	M06534B001	1
33	Washer Double D	Q12587-01	1
34	Gasket, Encore S Enhanced Sce-41, 1/4 X 1/2	027065	AR
35	Scanner Cover Molded	M07663B001	1
36	Gasket, Scanner Hood	M07718B001	1
37	Lens, Scanner	M06696B001	1
38	Gasket Scanner Lens	M06697B001	1
39	Assembly, Note Acceptor Access Door	M07721A002	1
40	Gasket Note Acceptor	M08050B001	1
41	Housing Note Receiver Entry Shute	M08051B001	1
42	Lock, Cylinder Face Sealing	Q12542-24	1
43	Screw Metric Pan Head Sems M3.0 X 8	Q12845-34	14
44	Washer, Flat	N16599-60	14

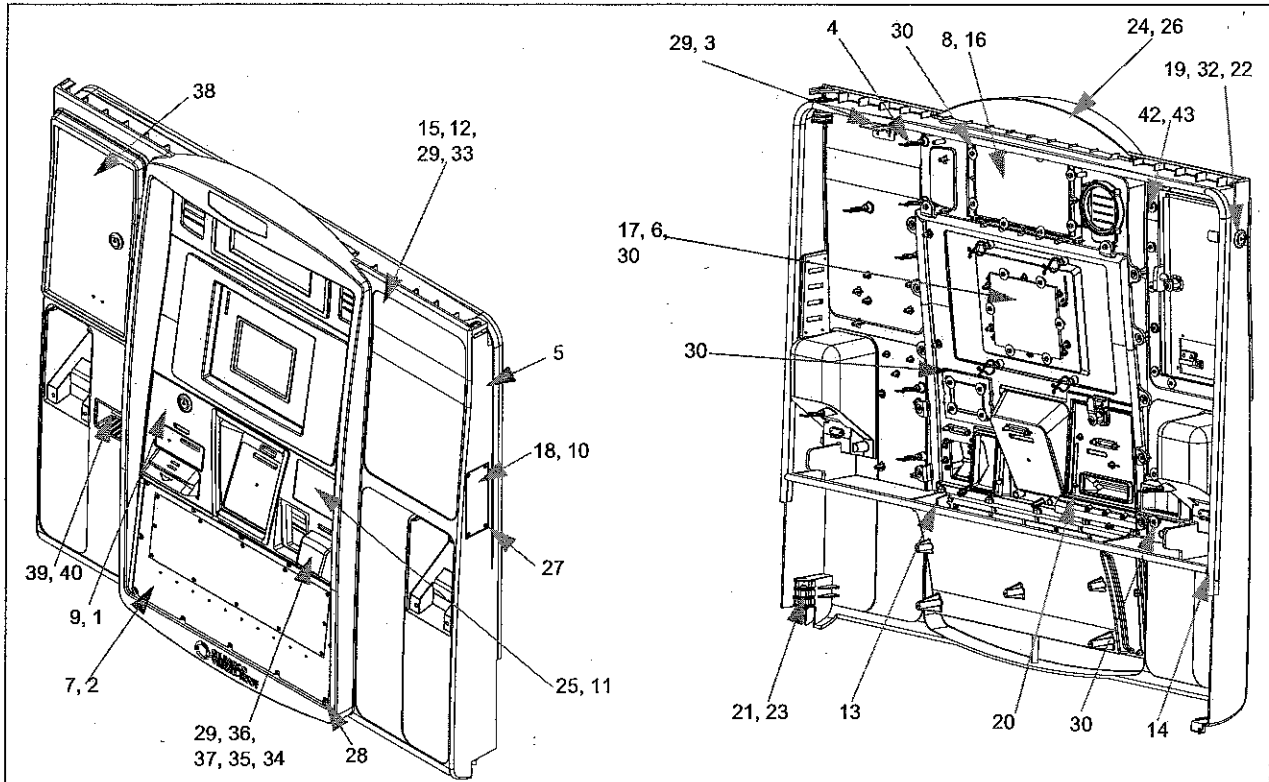
Encore S Enhanced Door Assembly, with Monochrome, No Cash and No Scanner



Item #	Description	Current Part	Quantity
1	Assembly Printer Door Encore S Enhanced	M07991A001	1
2	Assembly, PPU Lens and Panel	M07757A001	1
3	Bracket, Door Prop	M06147B002	1
4	Clip, Cable Push-in	M07914B001	14
5	Door, Main Encore S Enhanced	M07447B001	1
6	Gasket Monochrome Lens	M07669B001	1
7	Gasket PPU Panel	M05954B001	1
8	Gasket Price, Vol Display	M07667B001	1
9	Gasket Printer Door	M07652B001	1
10	Gasket Totalizer	M07655B001	1
11	Gasket TRIND Lens	M07715B001	1
12	Gasket, Cord	M08000B001	1
13	Gasket, Flex with Bulb Encore Doors	Q12406-18	1
14	Gasket, Flex with Bulb Encore Doors	Q12406-19	1
15	Insertable CIM_EMV Encore	M07450B003	1
16	Lens, Main Display	M07697B001	1

Item #	Description	Current Part	Quantity
17	Lens, Monochrome Display	M02650B001	1
18	Lens, Totalizer	M05986B001	1
19	Lock, Cylinder Face Sealing	Q12542-22	1
20	Nut, Metric, Hex with Ext M3 Blue	Q12885-03	4
21	O-Ring 0.114 X 0.070	Q10066-06	1
22	O-Ring 0.801 X 0.070	Q10066-19	1
23	Pin Lower Hinge	R19176-01	1
24	Plug, Hood Blanking	M07717B001	1
25	Plug, TRIND Encore S Enhanced	M07907B001	1
26	Screw Flat Head Phillips - M3X8	M00419B311	2
27	Screw Oval Head Phillips - M3X8	M00419B101	4
28	Screw Oval Head Phillips with Washer - M3X10	M00419B202	12
29	Screw, Slotted with Lw, 6-20X3/8	Q11677-24	10
30	Screw, Special, #6-20X3/8 Thread Forming	M08070B001	18
31	Tube, Drain	M06534B001	1
32	Washer Double D	Q12587-01	1
33	Gasket, Encore S Enhanced Sce-41, 1/4 X 1/2	027065	AR

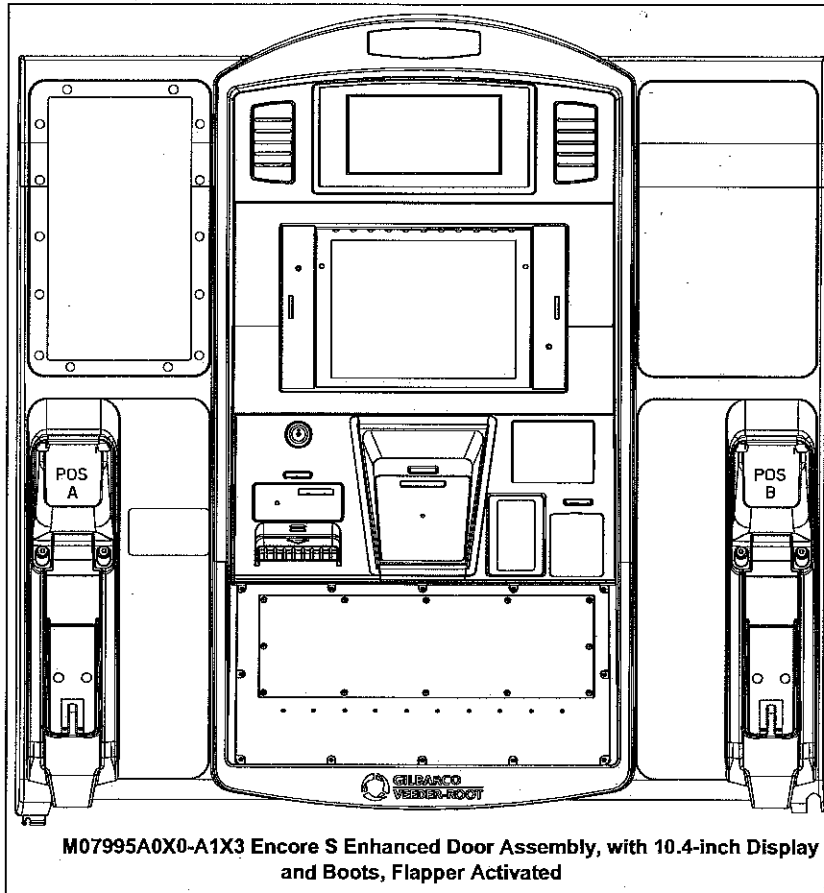
Encore S Enhanced Door Assembly, with Monochrome, with Cash and Scanner



Item #	Description	Current Part	Quantity
1	Assembly Printer Door Encore S Enhanced	M07991A002	1
2	Assembly, PPU Lens and Panel	M07757A001	1
3	Bracket, Door Prop	M06147B002	1
4	Clip, Cable Push-in	M07914B001	12
5	Door, Main Encore S Enhanced	M07447B002	1
6	Gasket Monochrome Lens	M07669B001	1
7	Gasket PPU Panel	M05954B001	1
8	Gasket Price, Vol Display	M07667B001	1
9	Gasket Printer Door	M07652B001	1
10	Gasket Totalizer	M07655B001	1
11	Gasket TRIND Lens	M07715B001	1
12	Gasket, Cord	M08000B001	1
13	Gasket, Flex with Bulb Encore Doors	Q12406-18	1
14	Gasket, Flex with Bulb Encore Doors	Q12406-19	1
15	Insertable CIM_EMV Encore	M07450B033	1
16	Lens, Main Display	M07697B001	1

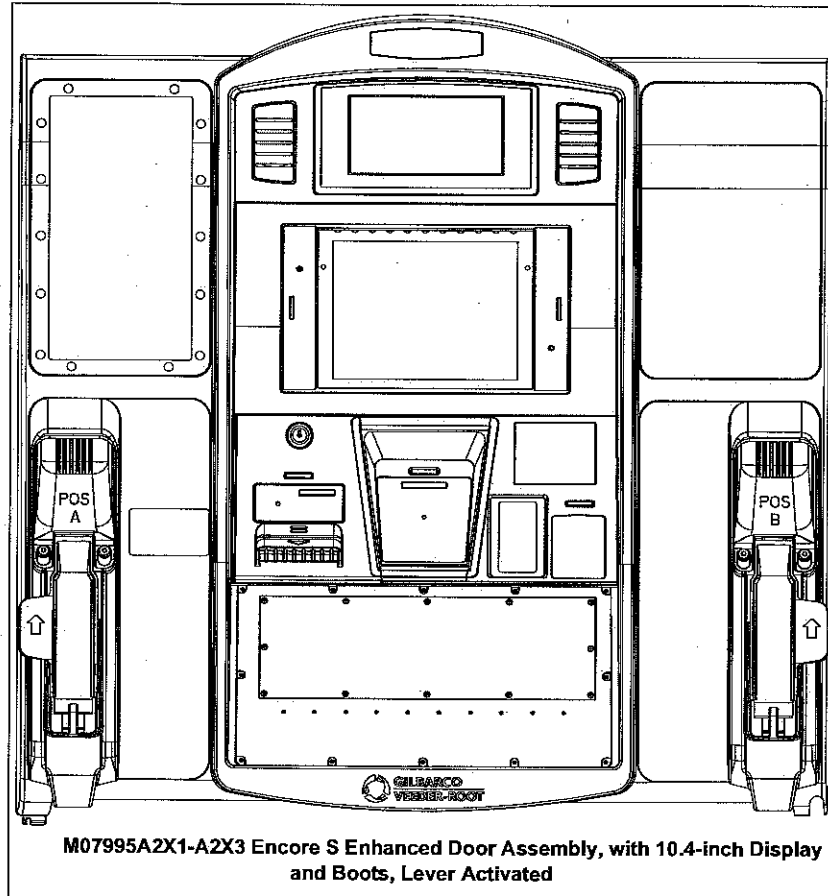
Item #	Description	Current Part	Quantity
17	Lens, Monochrome Display	M02650B001	1
18	Lens, Totalizer	M05986B001	1
19	Lock, Cylinder Face Sealing	Q12542-22	1
20	Nut, Metric, Hex with Ext M3 Blue	Q12885-03	4
21	O-Ring 0.114 X 0.070	Q10066-06	1
22	O-Ring 0.801 X 0.070	Q10066-19	1
23	Pin Lower Hinge	R19176-01	1
24	Plug, Hood Blanking	M07717B001	1
25	Plug, TRIND Encore S Enhanced	M07907B001	1
26	Screw Flat Head Phillips - M3 X 8	M00419B311	2
27	Screw Oval Head Phillips - M3 X 8	M00419B101	4
28	Screw Oval Head Phillips with Washer - M3 X 10	M00419B202	12
29	Screw, Slotted with Lw, 6-20 X 3/8	Q11677-24	14
30	Screw, Special, #6-20X3/8 Thread Forming	M08070B001	22
31	Tube, Drain	M06534B001	1
32	Washer Double D	Q12587-01	1
33	Gasket, Encore S Enhanced SCE-41, 1/4 X 1/2	027065	AR
34	Scanner Cover Molded	M07663B001	1
35	Gasket, Scanner Hood	M07718B001	1
36	Lens, Scanner	M06696B001	1
37	Gasket Scanner Lens	M06697B001	1
38	Assembly, Note Acceptor Access Door	M07721A002	1
39	Gasket Note Acceptor	M08050B001	1
40	Housing Note Receiver Entry Shute	M08051B001	1
41	Lock, Cylinder Face Sealing	Q12542-24	1
42	Screw Metric Pan Head Sem M3.0 X 8	Q12845-34	14
43	Washer, Flat	N16599-60	14

Encore S Enhanced Door Assembly, with 10.4-inch Display and Boots, Flapper Activated



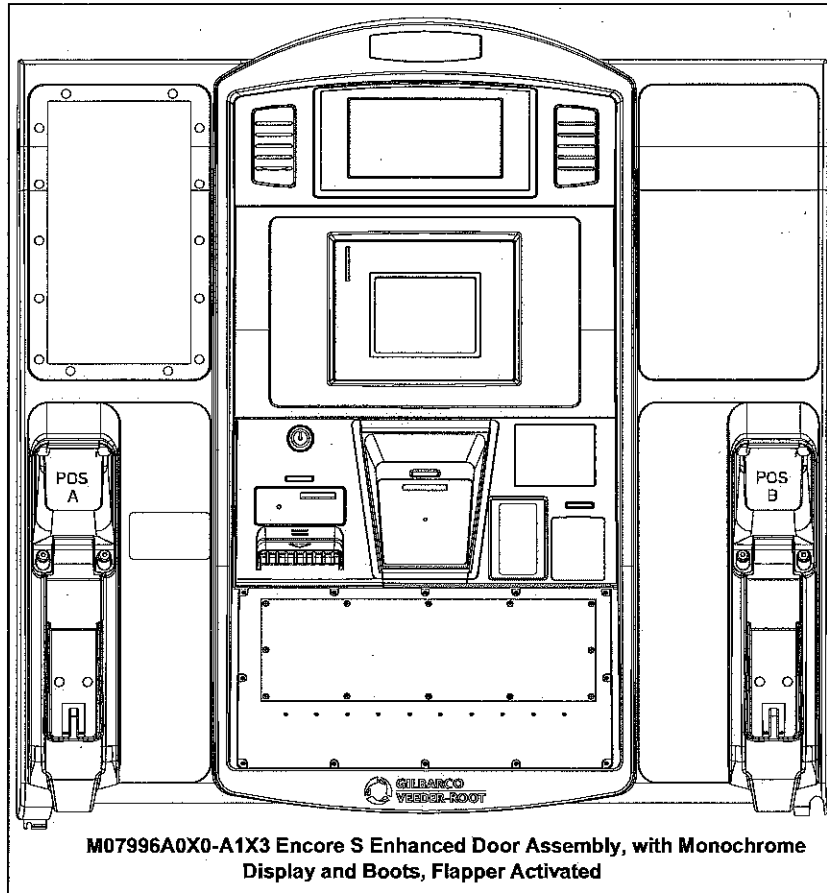
Item #	Part Number	Description	Nozzle Boot/ Position	Mounting Hardware/ Quantity	Blanking Plate/ Position	Mounting Hardware/ Quantity	
			M05912A001	M01118B002	M07418A001	M00419B311	M01118B001
1	M07995A0X0	No Boot	-	-	A & B	4	4
2	M07995A1X1	Flapper Activated, One Boot Right	B	2	A	2	2
3	M07995A1X2	Flapper Activated, One Boot Left	A	2	B	2	2
4	M07995A1X3	Flapper Activated, Two Boots Split	A & B	4	-	-	-

Encore S Enhanced Door Assembly, with 10.4-inch Display and Boots, Lever Activated



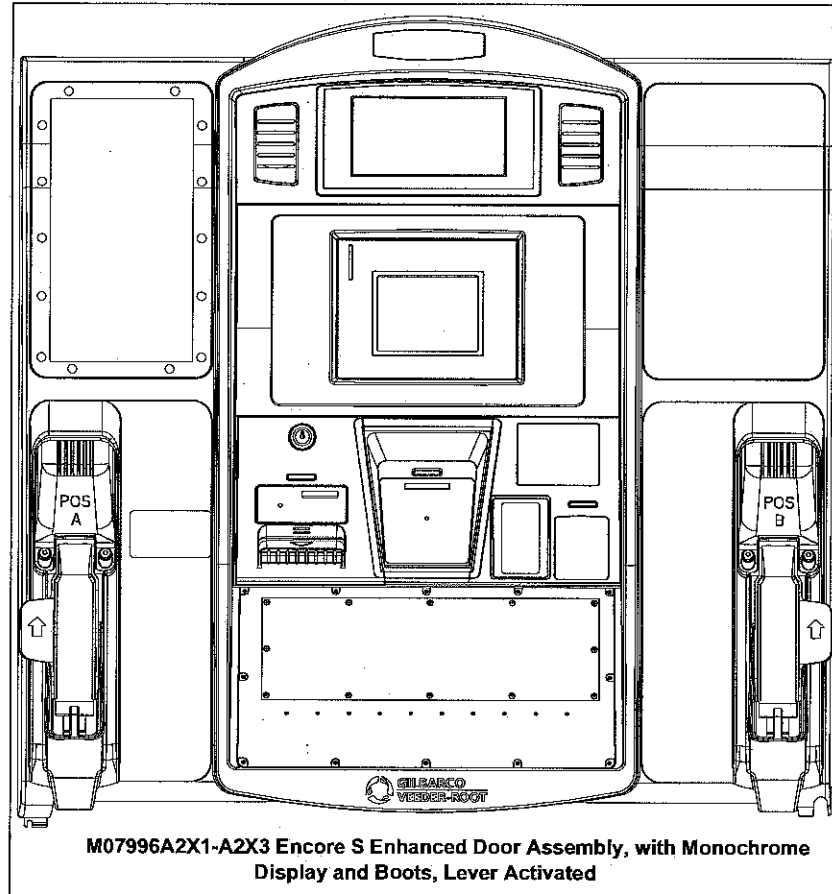
Item #	Part Number	Description	Nozzle Boot/ Position		Mounting Hardware/ Quantity	Blanking Plate/ Position	Mounting Hardware/ Quantity	
			M05912A002	M05912A003			M01118B002	M07418A001
1	M07995A2X1	Lever Activated, One Boot Right	B	-	2	A	2	2
2	M07995A2X2	Lever Activated, One Boot Left 6	-	A	2	B	2	2
3	M07995A2X3	Lever Activated, Two Boots Split	B	A	4	-	-	-

Encore S Enhanced Door Assembly, with Monochrome Display and Boots, Flapper Activated



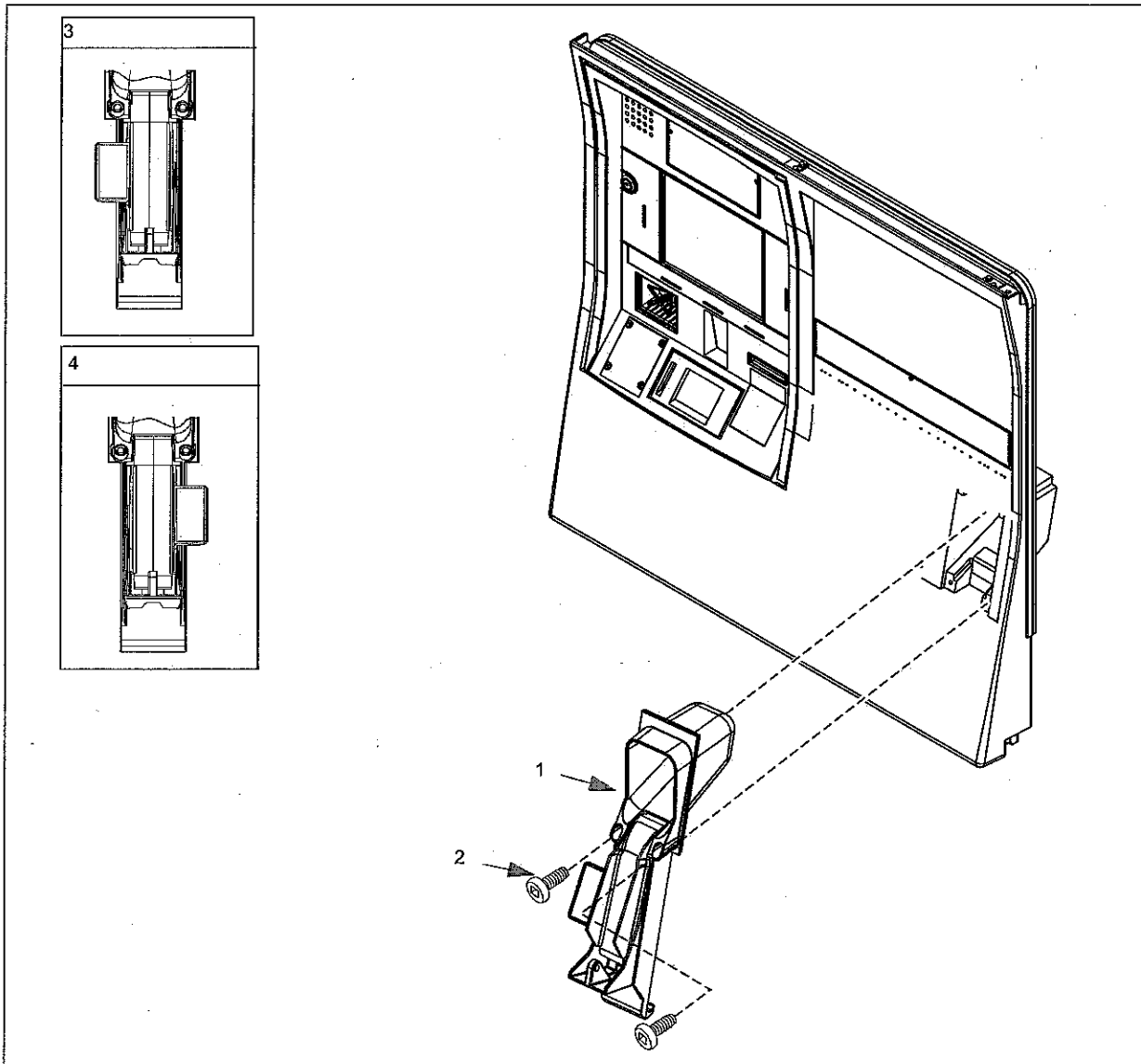
Item #	Part Number	Description	Nozzle Boot/ Position	Mounting Hardware/ Quantity	Blanking Plate/Position	Mounting Hardware/ Quantity	
			M05912A001	M01118B002	M07418A001	M00419B311	M01118B001
1	M07996A0X0	No Boot	-	-	A & B	4	4
2	M07996A1X1	Flapper Activated, One Boot Right	B	2	A	2	2
3	M07996A1X2	Flapper Activated, One Boot Left	A	2	B	2	2
4	M07996A1X3	Flapper Activated, Two Boots Split	A & B	4	-	-	-

Encore S Enhanced Door Assembly, with Monochrome Display and Boots, Lever Activated



Item #	Part Number	Description	Nozzle Boot/Position		Mounting Hardware/ Quantity	Blanking Plate/ Position	Mounting Hardware/ Quantity	
			M05912A002	M05912A003			M00419B311	M01118B001
1	M07996A2X1	Lever Activated, One Boot Right	B	-	2	A	2	2
2	M07996A2X2	Lever Activated, One Boot Left	-	A	2	B	2	2
3	M07996A2X3	Lever Activated, Two Boots Split	B	A	4	-	-	-

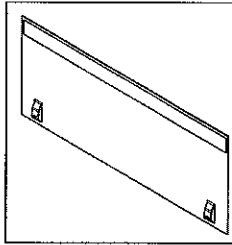
Nozzle Boot (300, 500, and 550)



Item #	Description	Current Part	Previous Part	Quantity
	Nozzle Boot Assembly (Lift to Start Flap)	M05912A001 M05912A002 M05912A003	M01047A005	1
1	Nozzle Boot, Lift to Start Lever (Left Side)	M01047A006	M01047A002	1
2	• Screw, Pan Head, Square Drive, Type A 1/4 - 10 X 1 1/2 (See Note)	-	-	2
3	Nozzle Boot, Lift to Start Lever (See Item 1 for Latest Illustration)	M01047A006	M01047A008 M01047A004	1
4	Nozzle Boot, Lift to Start Lever (Right Side)	M01047A007	M01047A003	1

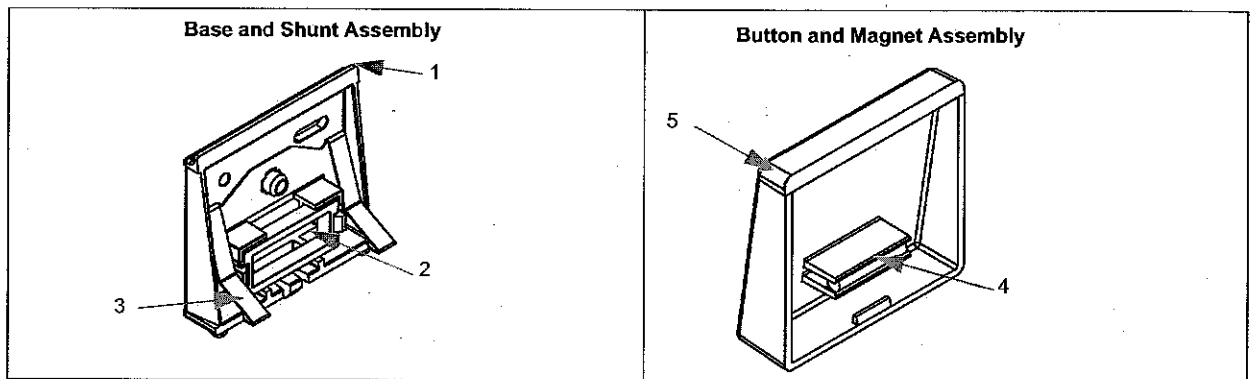
Note: Refer to kit K9662001 to replace screws.

Nozzle Boot Blanking Plates



Item #	Part Number	Description with Bezel	When Used
1	M00329A001	Boot Cavity Assy, Blank, Left CIM	When no nozzle boots are used
2	M00329A002	Boot Cavity Assy, Blank, Left CIM (Not Shown)	When 1 nozzle boot is used
3	M00329A003	Boot Cavity Assy, Blank Left CIM (Not Shown)	When 2 nozzle boots are used
4	M00329A005	Boot Cavity Assy, Blank Offset CIM (Not Shown)	When no nozzle boots are used on right side of bezel
5	M00329A006	Boot Cavity Assy, Blank Offset CIM (Not Shown)	When 1 nozzle boot is used on right side of bezel
6	M00329A007	Boot Cavity Assy, Blank Center CIM (Not Shown)	When no nozzle boots are used on left or right side of bezel
7	M00329A008	Boot Cavity Assy, Blank Center CIM (Not Shown)	When 1 nozzle boot is used on left or right side of bezel
8	M00329A009	Boot Cavity Assy, Blank Offset CIM (Not Shown)	When no nozzle boots are used on left side of bezel

Grade Select (Encore 300, 500, and 550)

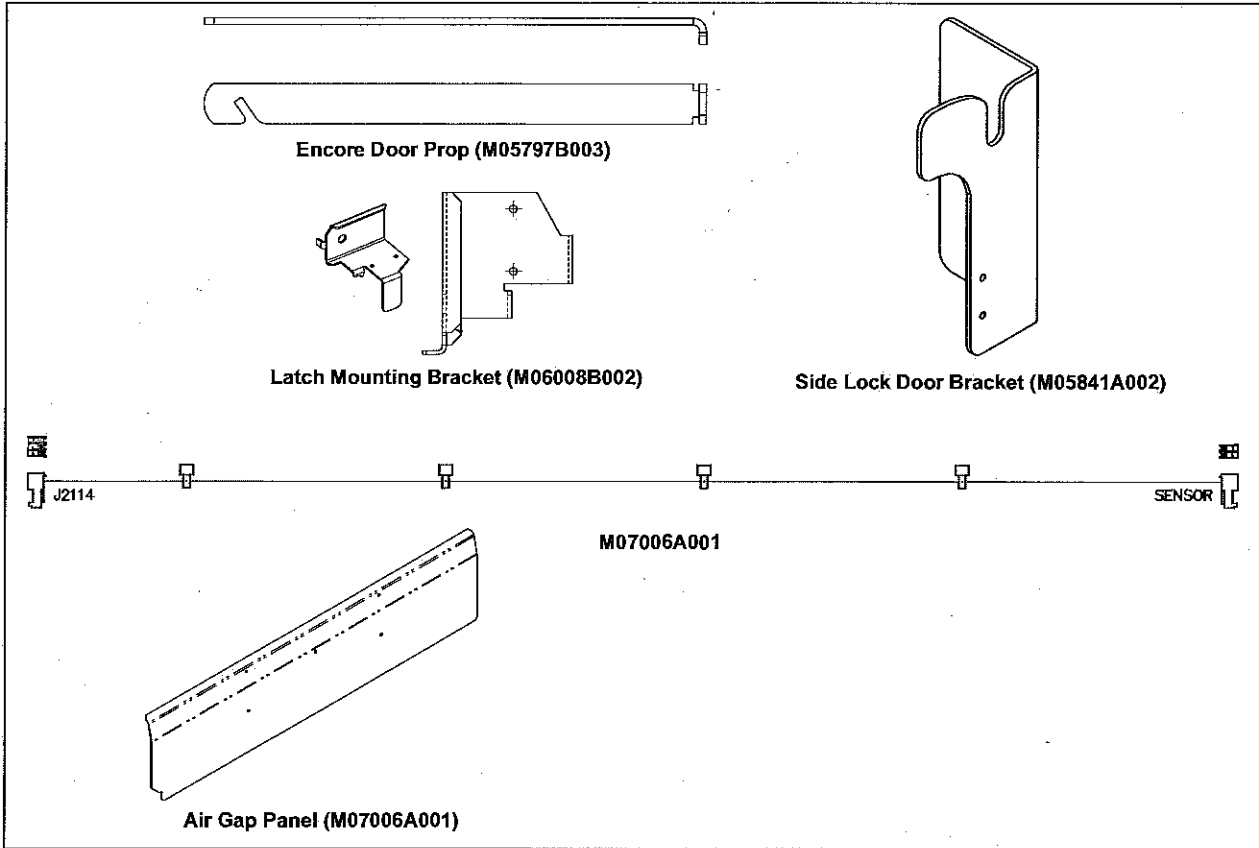


Item #	Description	Current Part	Previous Part	Quantity
Base and Shunt Assembly (Reference Only)		M00911A001	-	1
1	Spring, Grade Select	(See Note 1)	-	1
2	Shunt, Grade Select	(See Note 1)	-	1
3	Base, Grade Select	(See Note 1)	-	1
Button and Magnet Assembly (See Note 2)		M00910A001	-	1
4	Magnet, Grade Select	M00856B001	-	1
5	Button, Grade Select	M00903B001	-	1
-	• Screw, Self-tap, Hex Hd, 6-20" (Not Shown)	-	-	2

Notes:

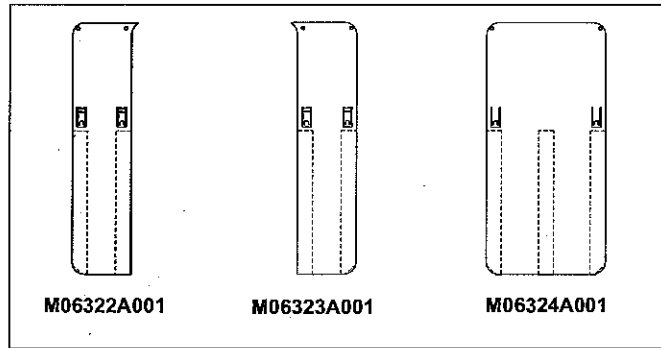
1. Base and Shunt Assembly M00911A001 include items 1 through 3. Parts cannot be ordered separately.
2. Button and Magnet Assembly M00910A001 include items 4 through 5.

Encore S and Encore S Enhanced - Door Prop and Mounting Bracket



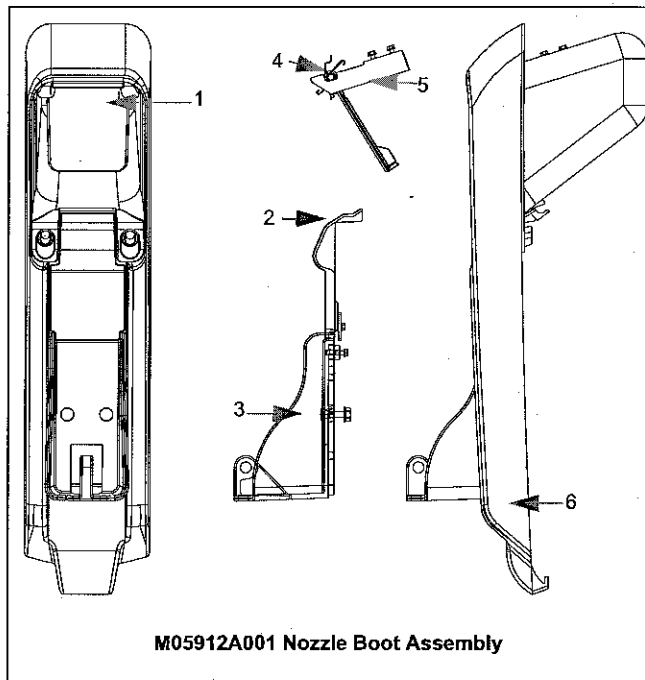
Item #	Part Description	Current Part	Previous Part	Quantity
1	Encore Door Prop	M05797B003	-	1
2	Latch Mounting Bracket	M06008B002	M06008B001	1
3	Side Lock Door Bracket	M05841A002 M05841B002	-	1
4	Cable, Door Open Sensor	M07006A001	-	1 per Door
5	Air Gap Panel	M07006A001	-	1
6	Door Sensor Switch (Not Shown)	Q12514-06	-	1
7	Magnet (Not Shown)	Q12514-02	-	1
8	Screw Sems PH Phil M4X (Not Shown)	Q12845-58	-	1
9	Cable, PPU/Customer/Card (Not Shown)	M06115A002	-	1
10	Screw Sel TP Hex HD 6-20X (Not Shown)	Q11677-24	-	2
11	Strip Grommet 9 inch (Not shown)	Q10315-08	-	1

Nozzle Boot Blanking Plates (Encore S Series)

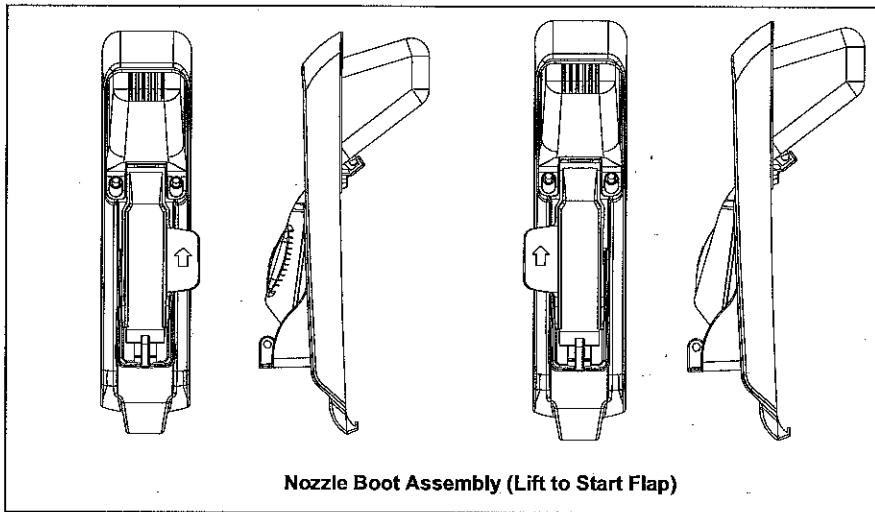


Item #	Part Number	Description	When Used
1	M06322A001	Nozzle Boot Blanking Plate, Right	Only one nozzle boot is used on the right.
2	M06323A001	Nozzle Boot Blanking Plate, Left	Only one nozzle boot is used on the left.
3	M06324A001	Nozzle Boot Blanking Plate, Full	When no nozzle boots are used on the left or right.

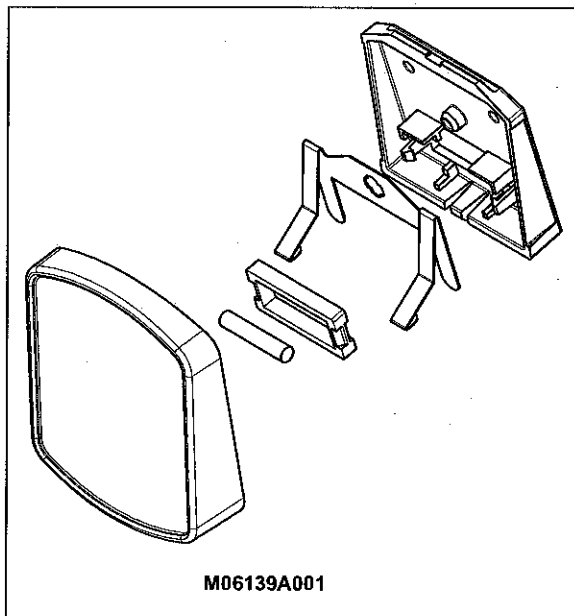
Nozzle Boot (Encore S and Encore S Enhanced)



Item#	Description	Current Part	Previous Part	Quantity
1	Nozzle Flap	M01241B001	-	1
2	Nozzle Boot Plug	M01242B001	-	1
3	Nozzle Cradle	M05753B001	-	1
4	Hinge Rod	N23661-01	-	1
5	Nozzle Flap Mount	M01240B001	-	1
6	Nozzle Boot	M05752B002	-	1

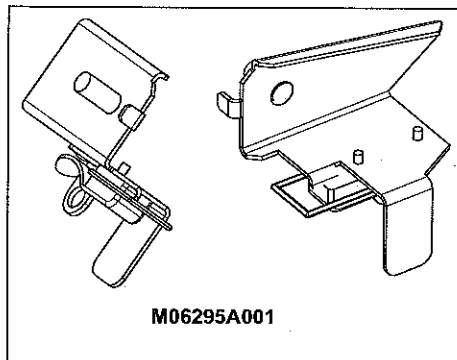


Grade Select (Encore S and Encore S Enhanced)



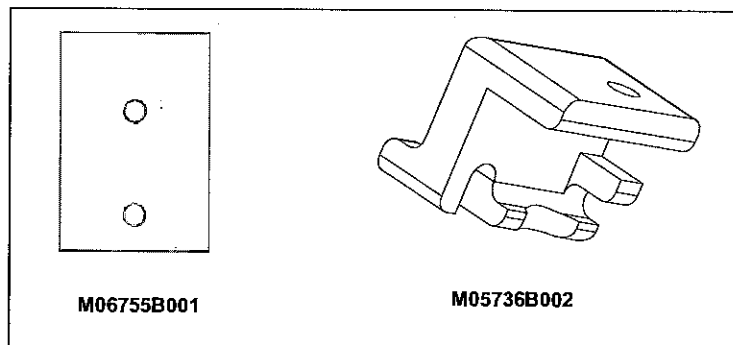
Description	Current Part	Quantity
Grade Select Button Assembly	M06139A001	-

Security Latch and Bracket Assembly (Encore S and Encore S Enhanced)



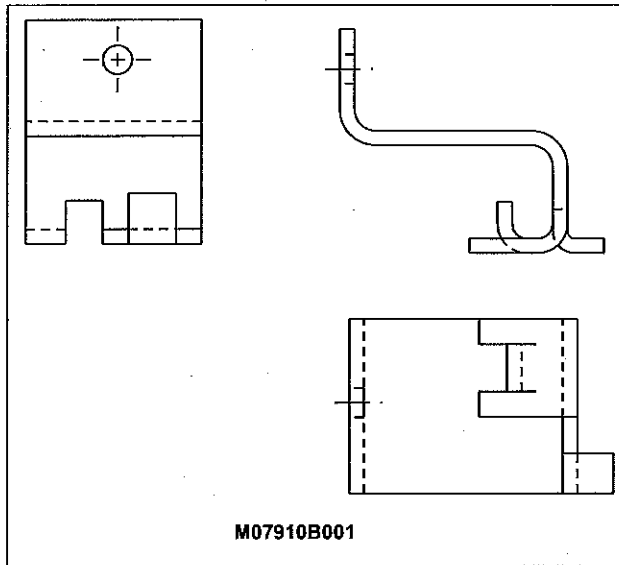
Description	Current Part	Quantity
Latch and Bracket Assembly	M06295A001	-

Lower Ski-boot Latch Support Kit (Encore S Series)



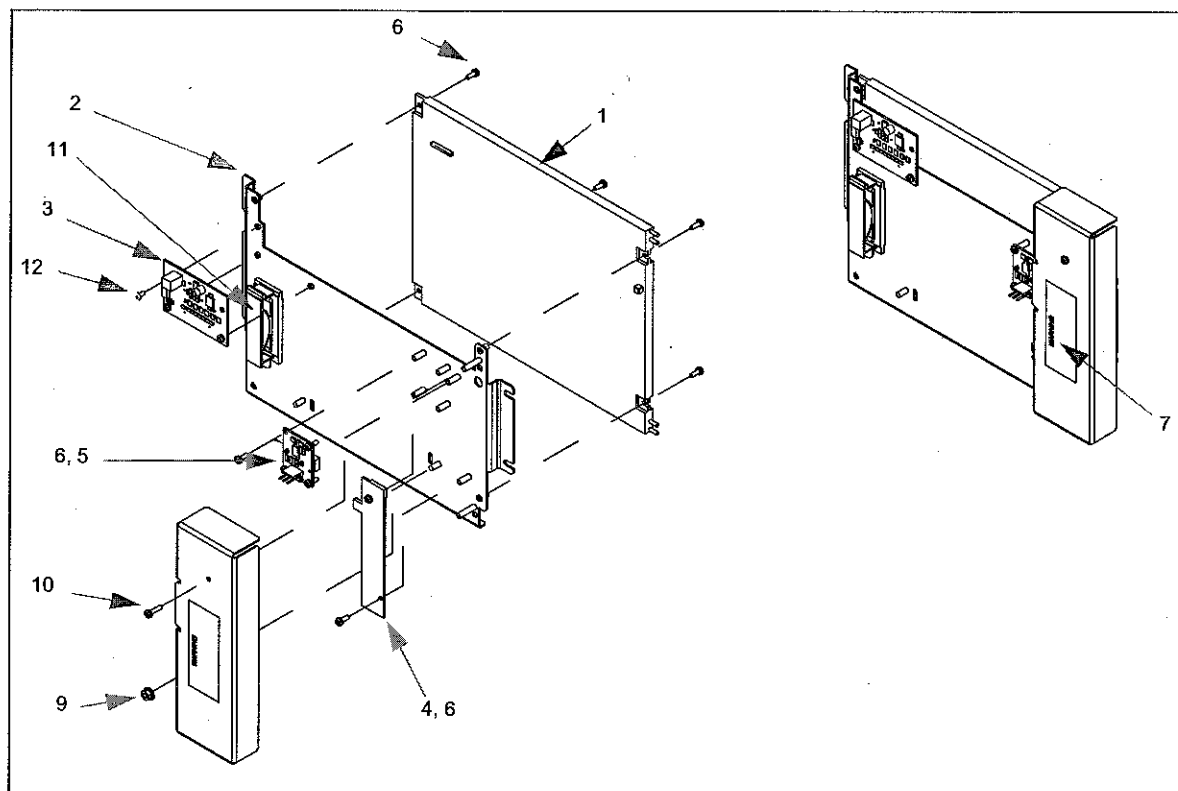
Description	Part Number	Quantity
Kit, Lower Ski-boot Latch Support	M06756K001	1

Door Latch Bracket (Encore S Enhanced)



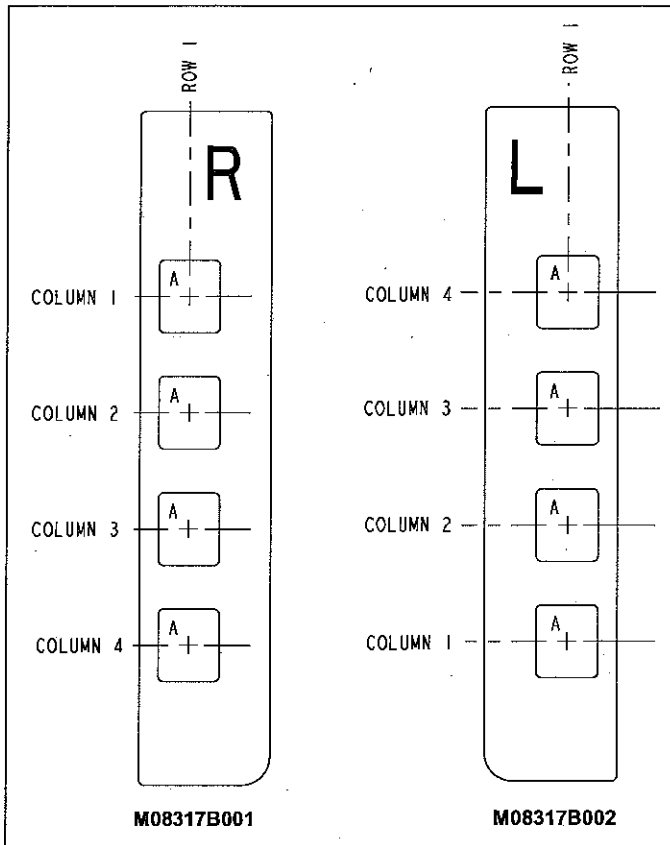
Description	Part Number	Quantity
Bracket, Door Latch, Encore S Enhanced	M07910B001	1

10.4" Color Display Assembly



Item#	Description	Part Number	Quantity
1	10.4" Color Display Assembly	M07331A001	1
2	• Display Color LCD 10.4" Monitor	M06917A001	1
3	• Assembly Bracket Color Display 10.4"	M06841A001	1
4	• PCA, LVDS	M06605A001	1
5	• Inverter DC to AC Module	M06940A001	1
6	• PCA, E2 Display Controller	M06838A001	1
7	• Screw Metric PAN Head Sems M3.0 X 8	Q12845-34	10
8	• Decal, High Voltage Warning	M05097B001	1
9	• Cover Inverter Color Display	M06955B001	1
10	• Nut, Metric, Hex Serrd Fig (M4)	M00414B005	1
11	• Screw Metric Pan Head Sems M3.0 X 12	Q12845-36	1
12	• Clamp, Releasable Flat Cable Mounting	Q13459-01	1
13	• Screw Metric Pan Head Sems M3.0 X 6	Q12845-33	3

Softkey Keypad (Encore S Enhanced Color Door)

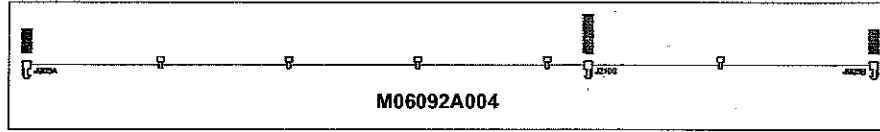


Description	Part Number	Quantity
Enhanced Door Keypad, Softkey Color (Right)	M08317B001	1
Enhanced Door Keypad, Softkey Color (Left)	M08317B002	1

Keypad Overlay

Description	Part Number	Quantity
Keypad Overlay (for Encore 300 and 500 with Tilt Screen)	EU01003G001	1

Cable, CRIND Softkeys



Description	Part Number	Quantity
Cable, CRIND Softkeys	M06092A004	1

This page is intentionally left blank.