

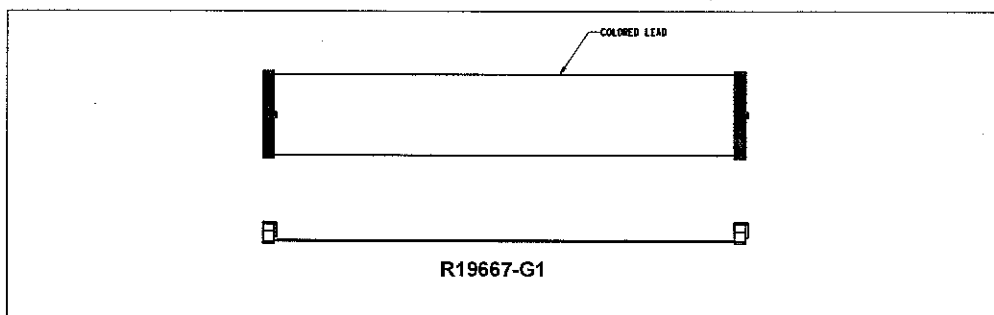
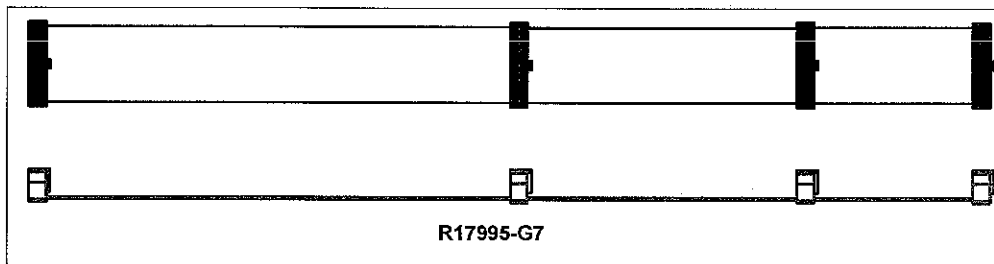
8 – Cable Assemblies Section (Encore 300 and Encore 300 Ultra-Hi)

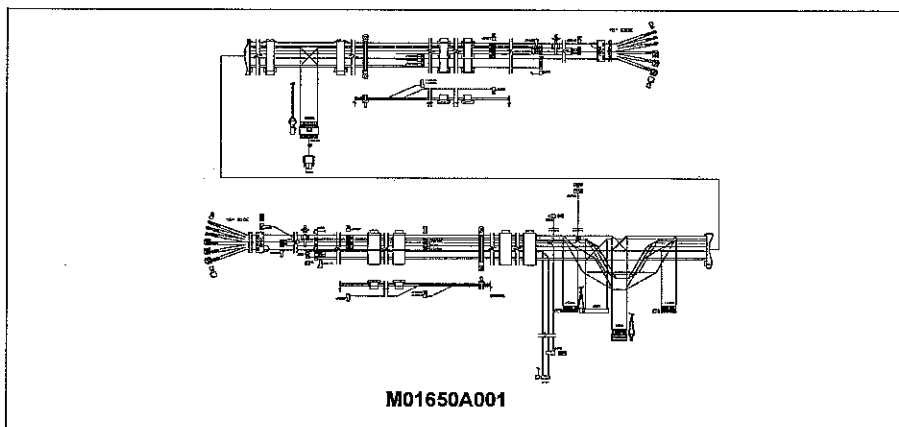
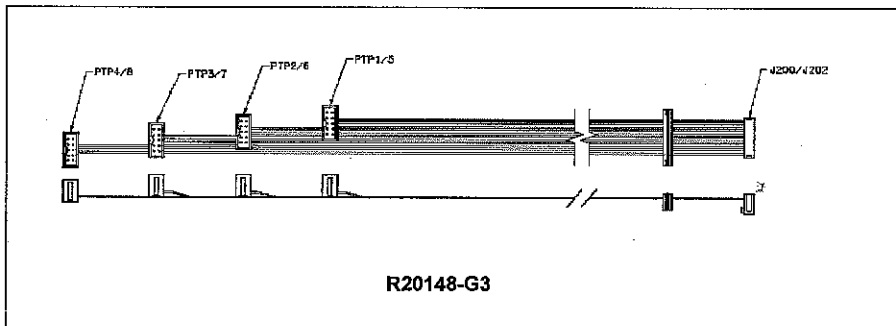
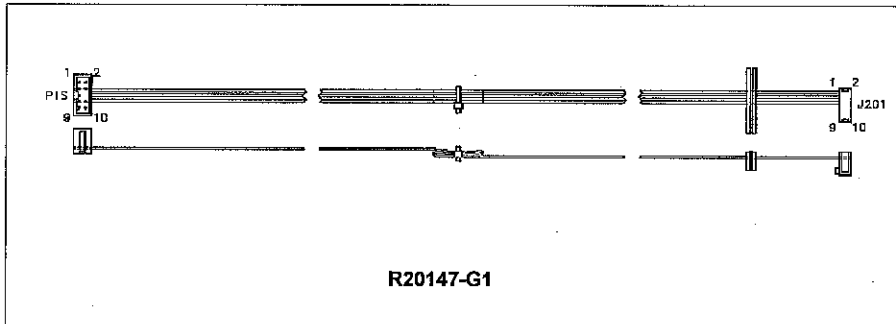
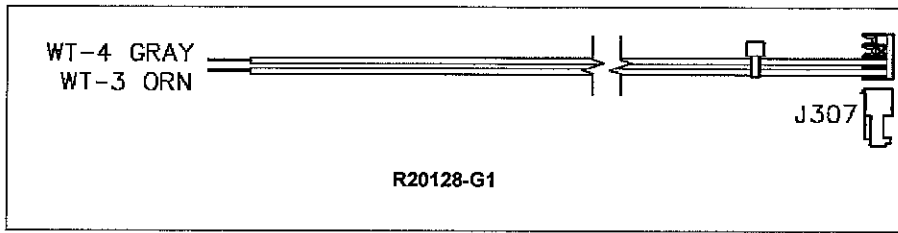
Note: Refer to MDE-3804 Encore and Eclipse Series Start-Up/Service Manual for cable block diagram.

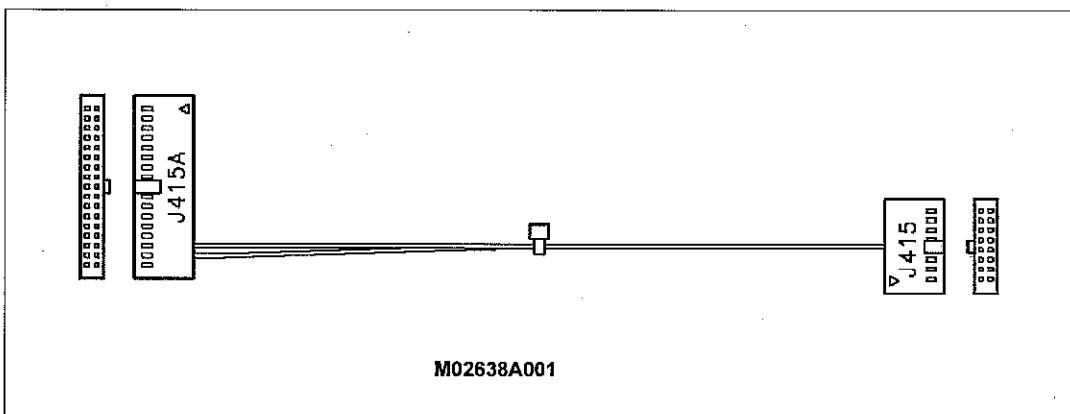
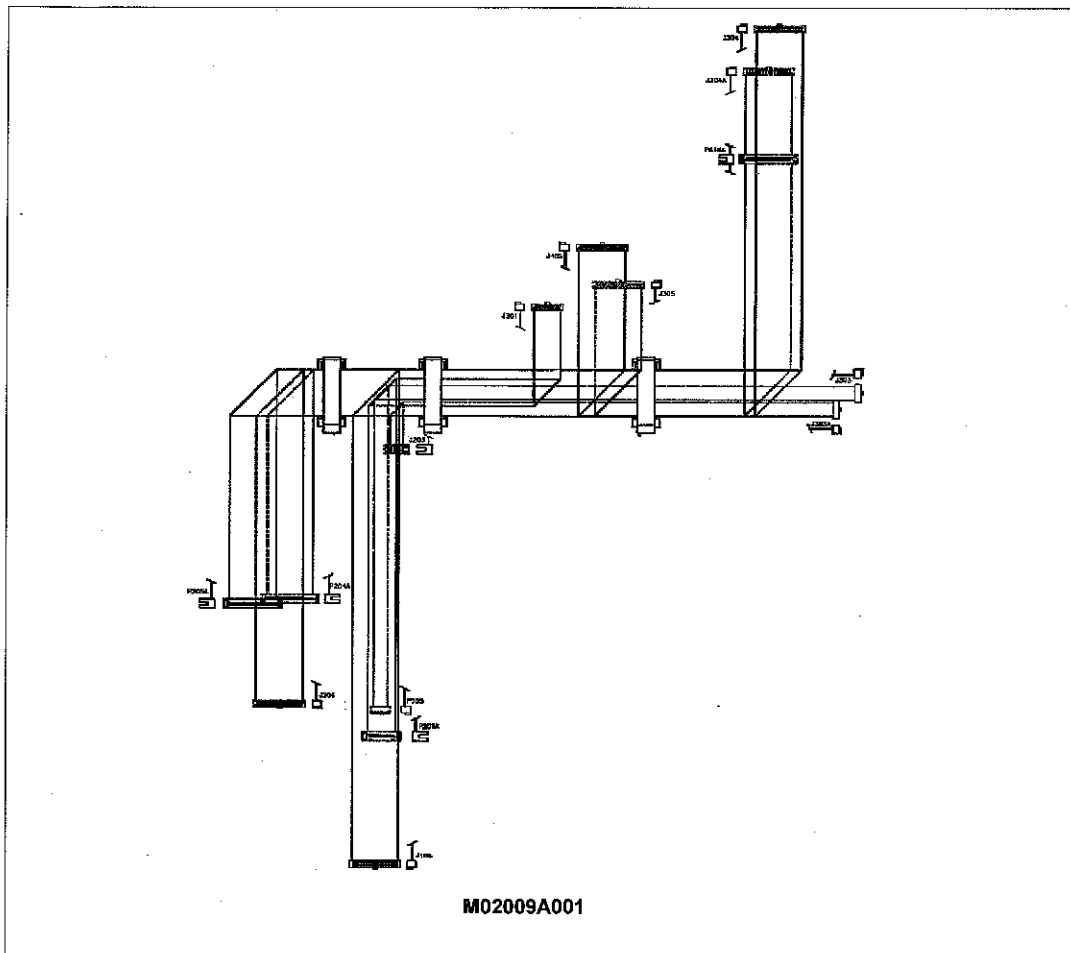
Automatic Temperature Control (ATC) Option

Cable Description	Current Part	Previous Part
Reg/Logic Cable	R17995-G7	-
Ribbon Cable 34	R19667-G1	-
Power Data Cable	R20128-G1	-
I.S. Barrier Cable	R20147-G1	-
T-Meter/Meter Probe Cable	R20148-G3	-
Main Interface Cable	M01650A001	-
Main Interface ATC Cable	M02009A001	-
ATC Calibration	M02638A001	-

ATC Cable Illustrations





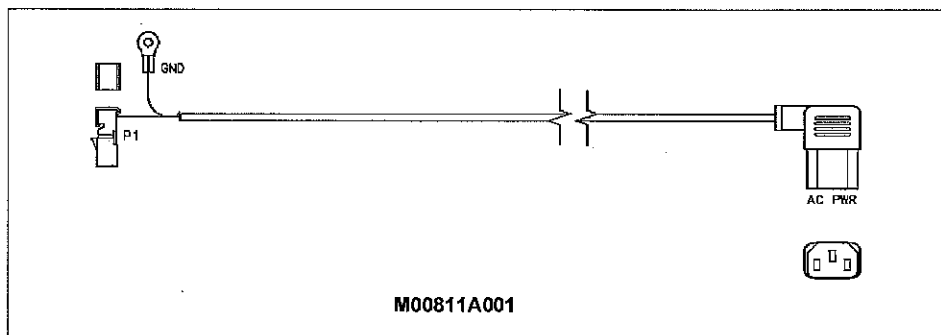
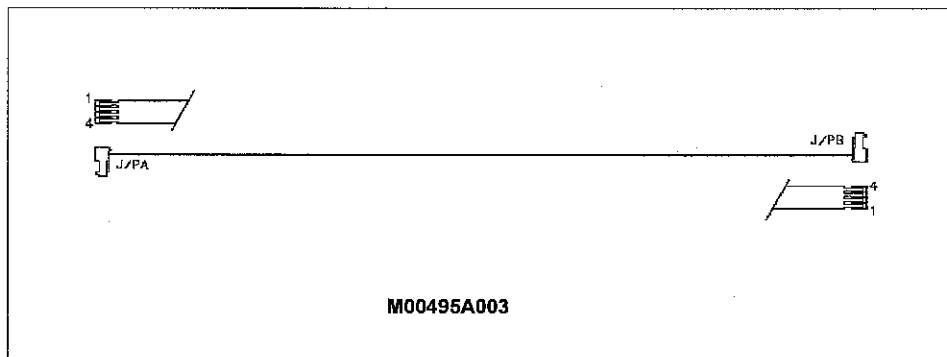


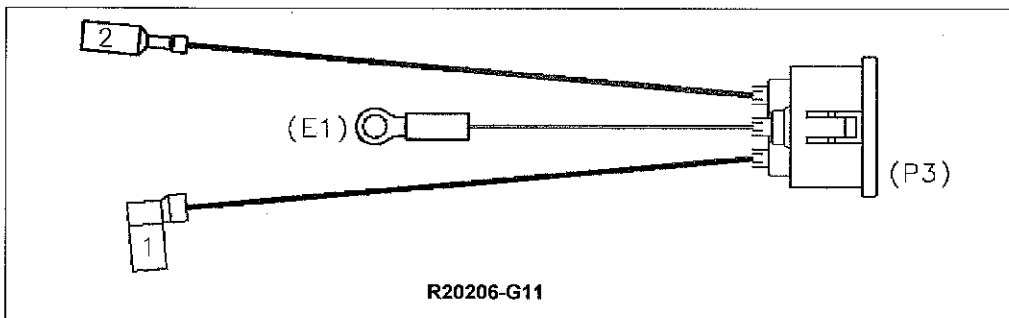
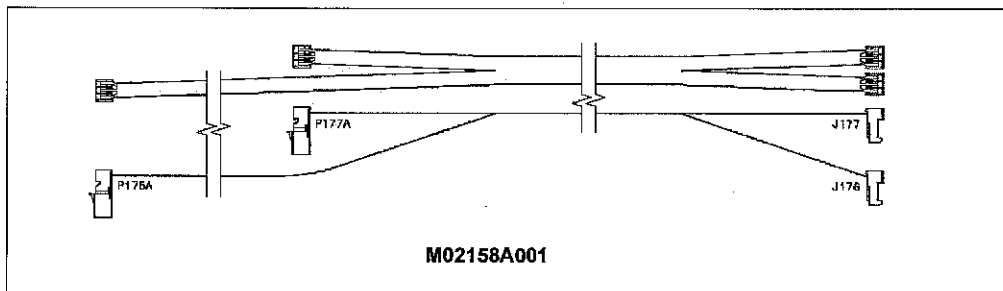
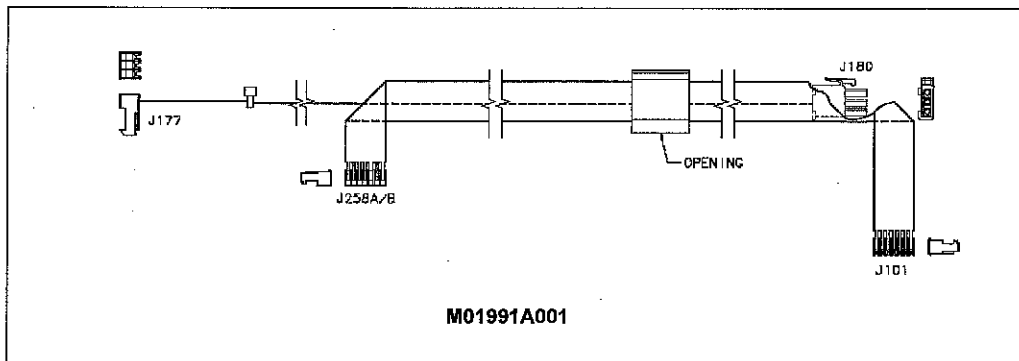
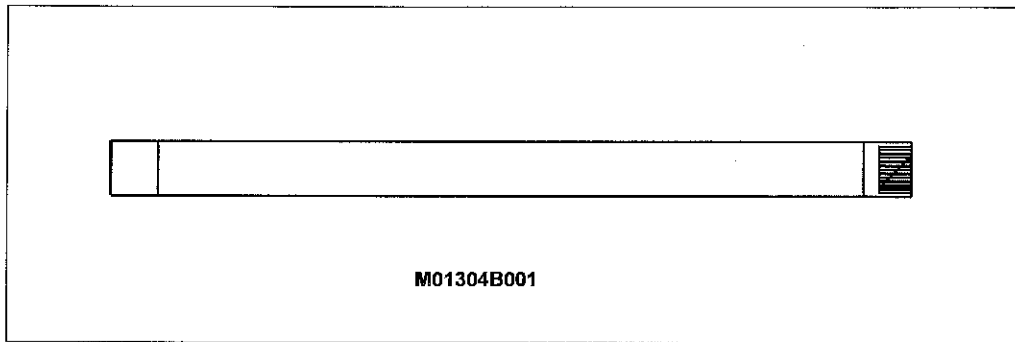
Barcode Scanner Option

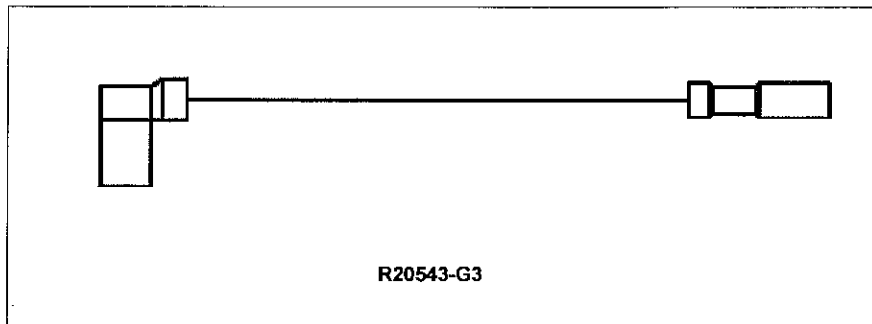
Cable Description	Current Part	Previous Part	Where Used
Scanner Board to Light Board Cable	M00495A003	-	C
AC Power Cable	M00811A001	-	C
Barcode Scanner Cable	M01304B001	-	C
Scanner Cable Assembly	M01991A001	-	C
Scanner Power Interface Cable	M02158A001	-	C
Input/transer TI/RFID (P3) Cable	R20206-G11	-	C
Power Input to Transformer Cable	R20543-G3	-	C

Where Used Key:
 A. Encore 300 only
 B. Ultra-Hi only
 C. Both (Encore 300 and Ultra-Hi)

Barcode Scanner Cable Illustrations



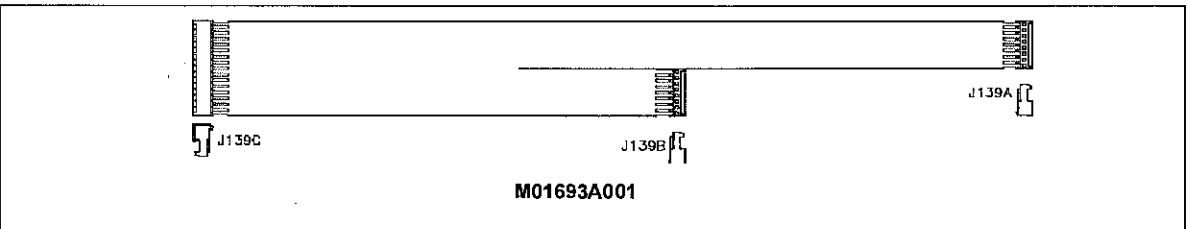
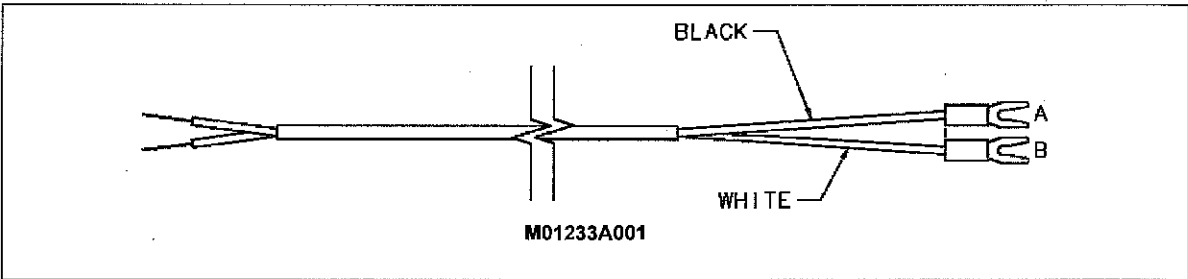
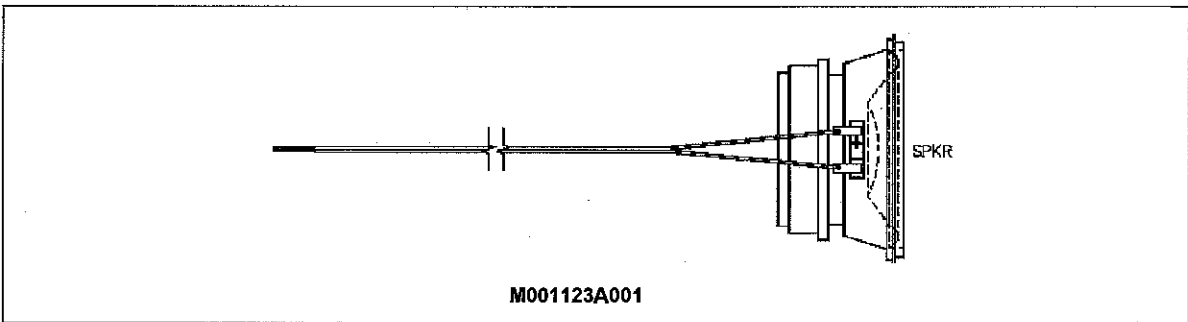
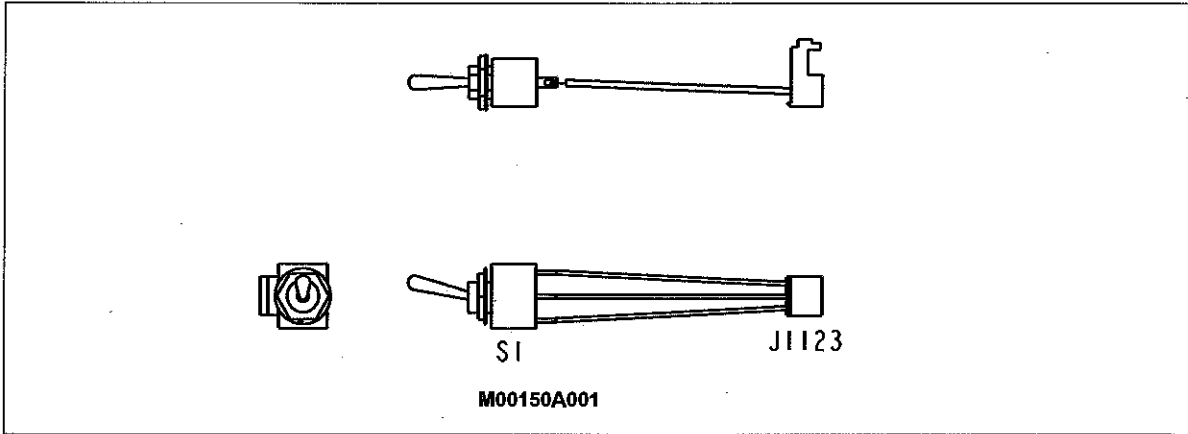


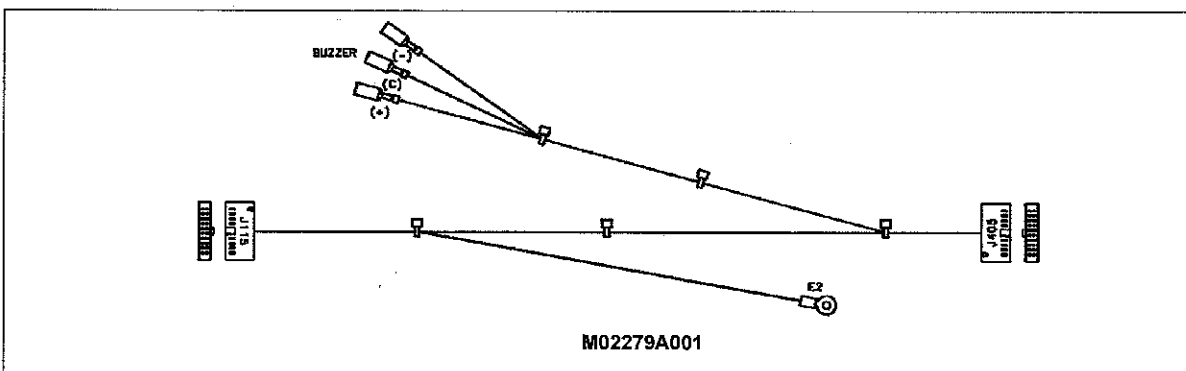
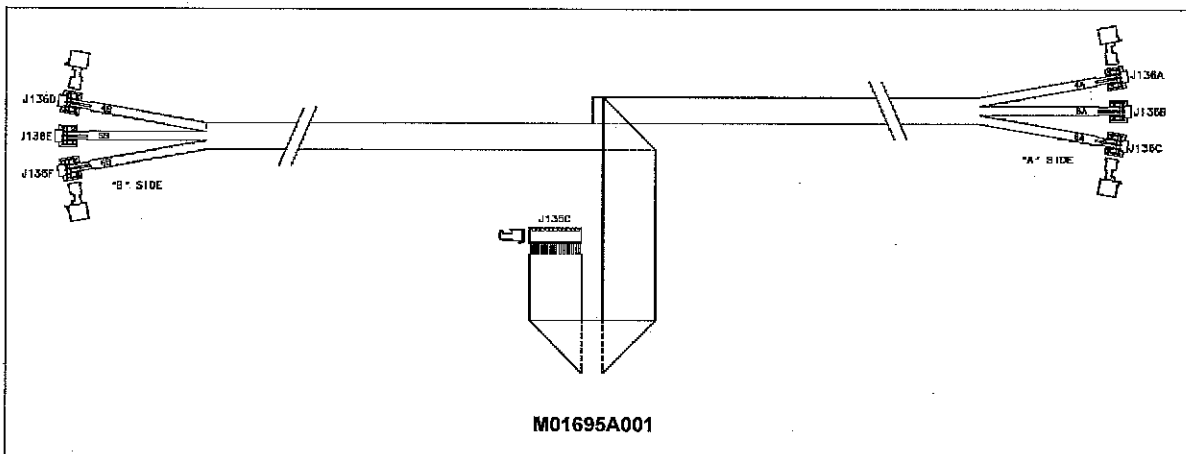
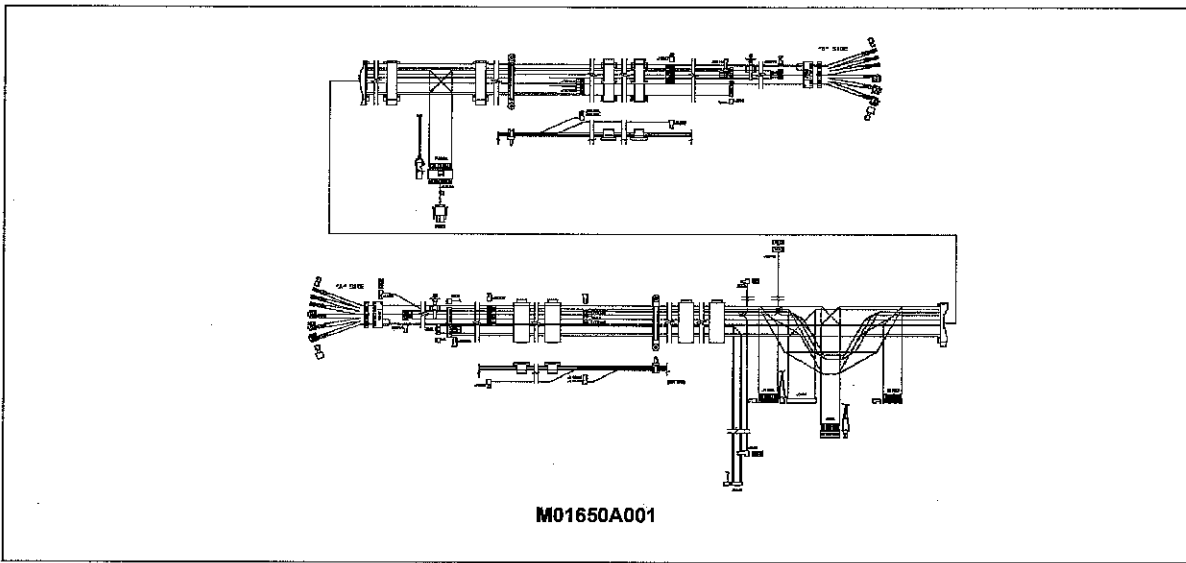


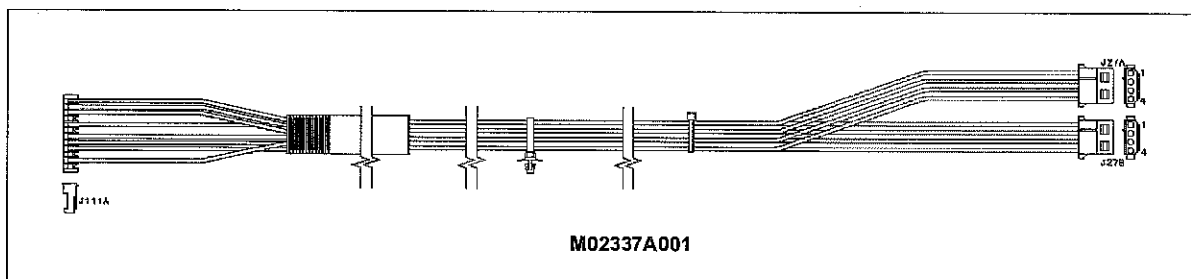
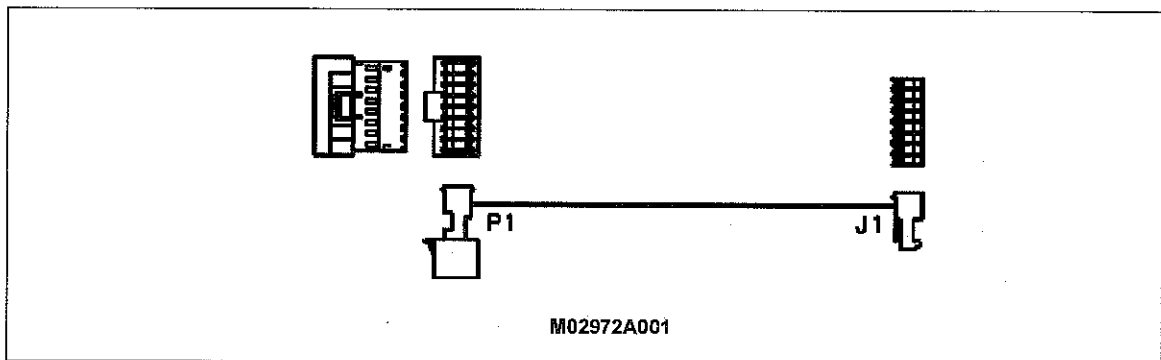
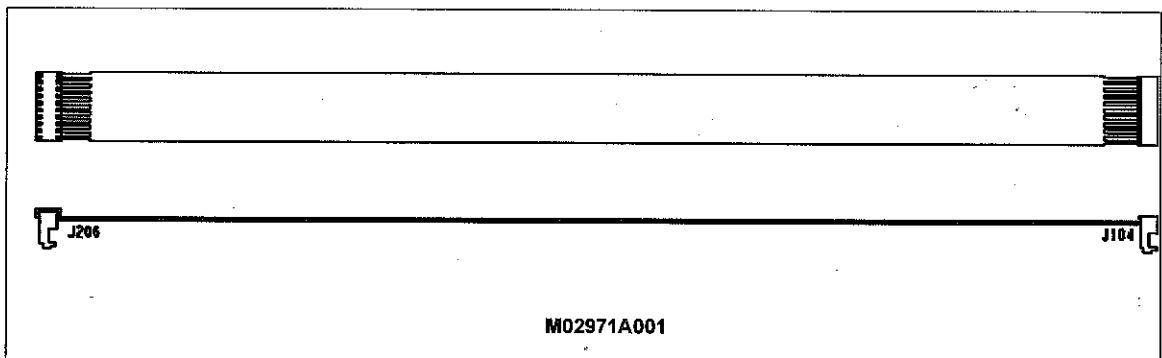
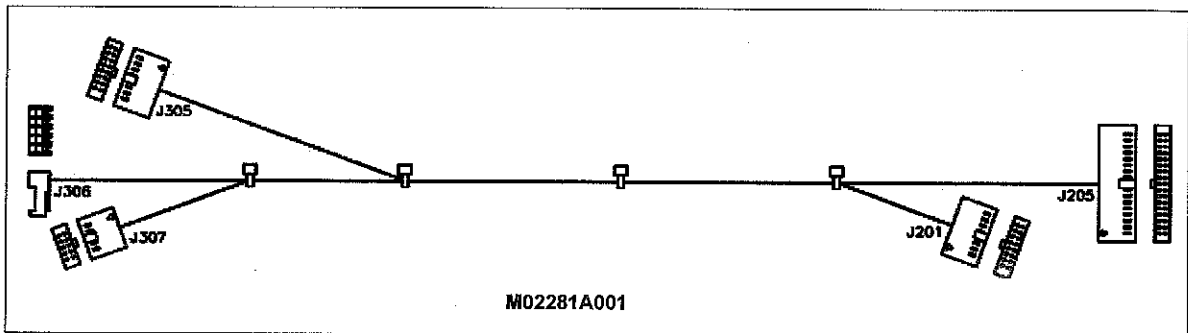
Base Electronics

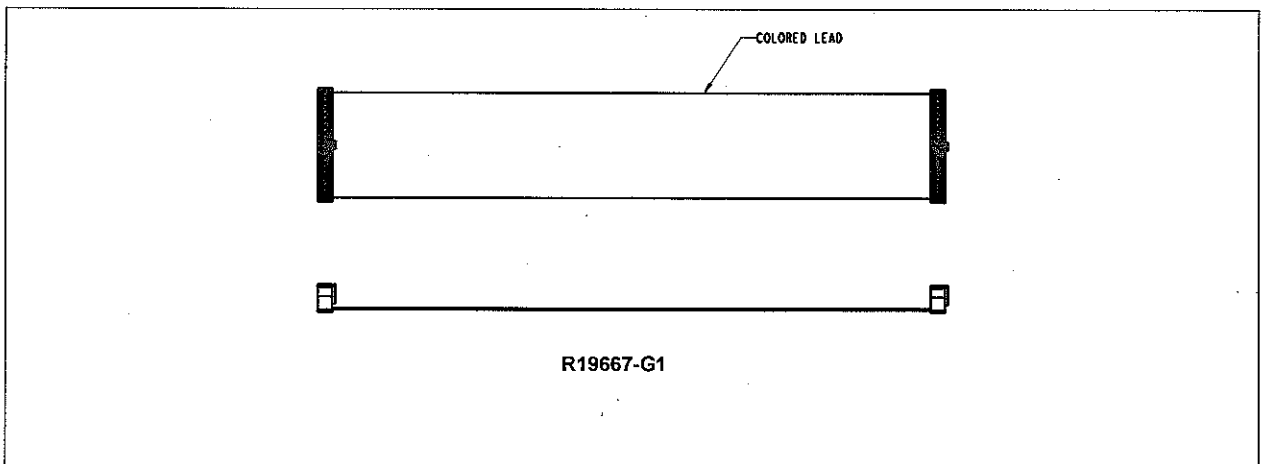
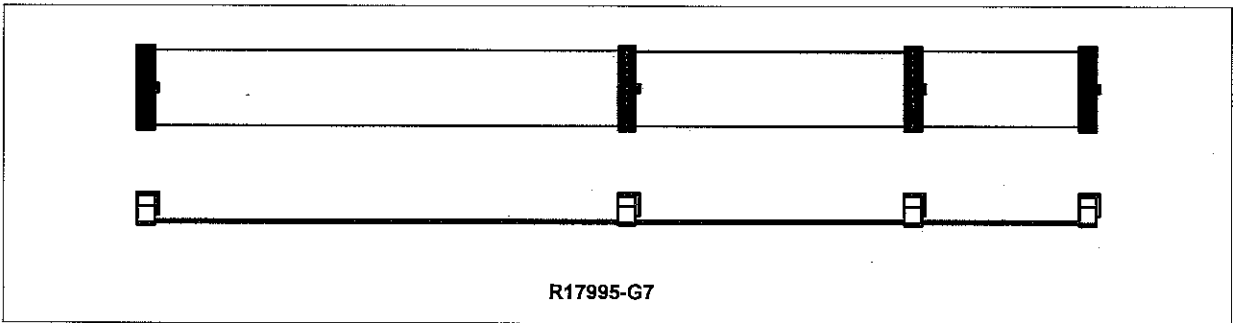
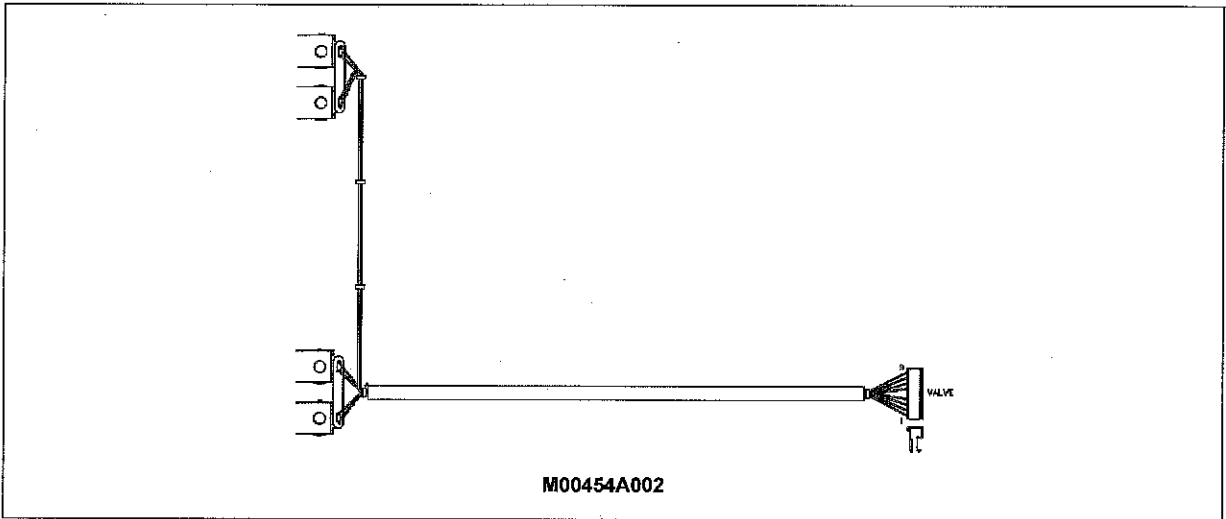
Cable Description	Current Part	Previous Part	Where Used
E-Cal Security Switch	M00150A001	-	C
Grade Select Cable (No Longer Used)	-	M01123A001	-
Call Button (No Longer Used)	-	M01233A001	-
Interface Cable Assembly	M01650A001	-	C
Grade Select Cable	M01693A001	-	A
Grade Select Cable	M01695A001	-	A
Main DC Cable	M02279A001	-	B
Hydraulic Interface Cable	M02281A001	-	B
Pulser Cable Assembly	M02337A001	-	B
Pulser Cable	M02651A001	R20462-G4	A
Valve/power Supply (No Longer Used)	-	R20593-G1	A
Valve Coil Assembly (Refer to "Valve Coil Assembly" on page 11-6 for illustrations)	M02958A001	M00454A002	A
Controller/Valve Cable	M02971A001	-	A
Pulser Reverse Cable (Extended Reach Option Only)	M02972A001	-	A
Cable Assembly, (Reg/Logic)	R17995-G7	-	A
Ribbon Cable Assembly 34 con	R19667-G1	-	A
Cable Assembly, (Reg/Logic)	R17995-G7	-	A
Where Used Key:			
A. Encore 300 only			
B. Ultra-Hi only			
C. Both (Encore 300 and Ultra-Hi)			

Base Electronic Cable Illustrations









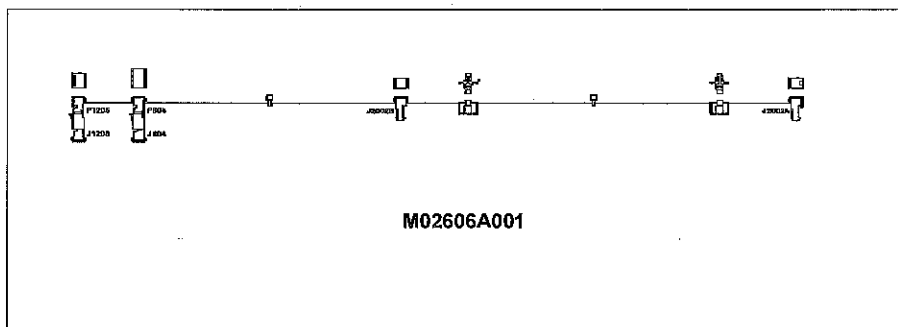
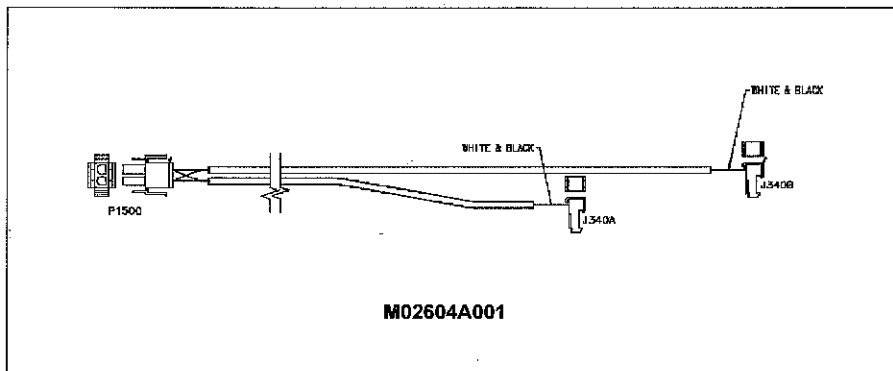
Card Reader Heater Option

Cable Description	Current Part	Previous Part	Where Used
Card Reader Heater Cable	M02604A001	-	C
AC Adaptor Cable (M02606A003) (Not Shown)	M02606A003	M02606A001	C

Where Used Key:

- A. Encore 300 only
- B. Ultra-Hi only
- C. Both (Encore 300 and Ultra-Hi)

Card Reader Heater Cable Illustrations

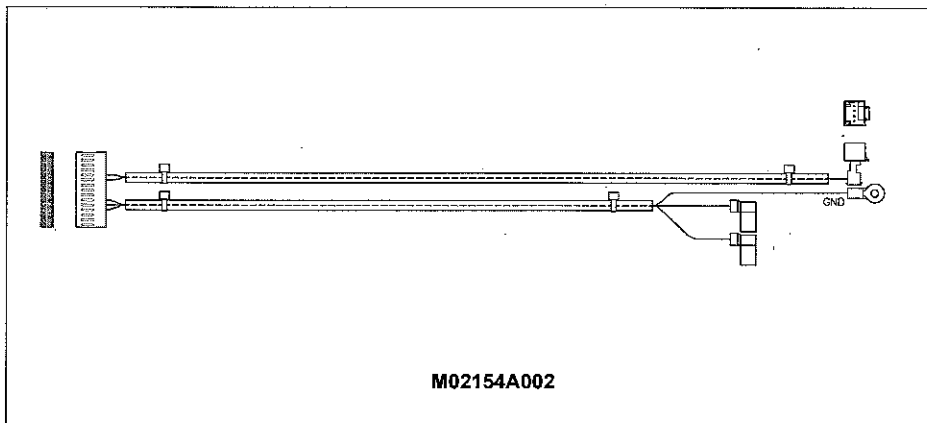
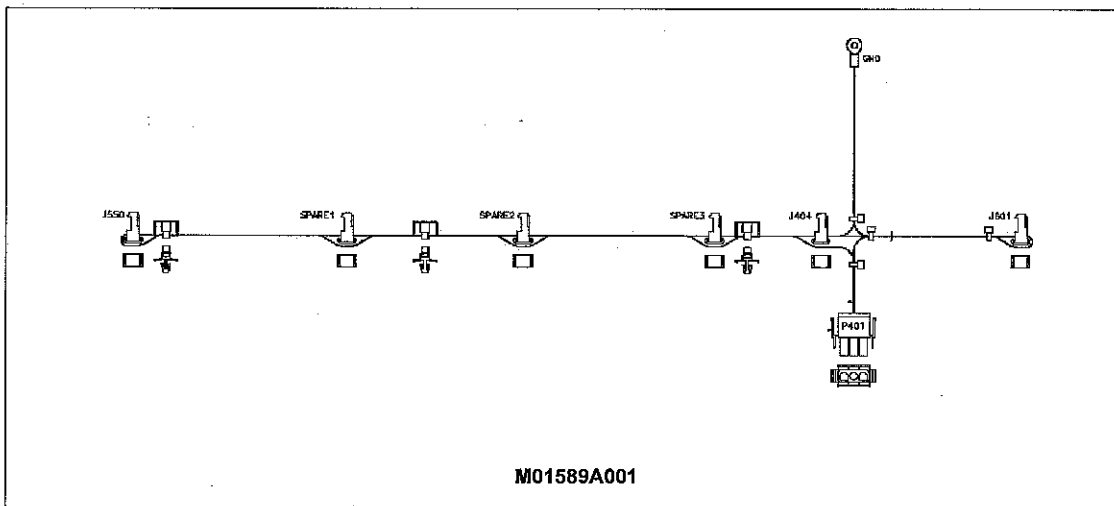


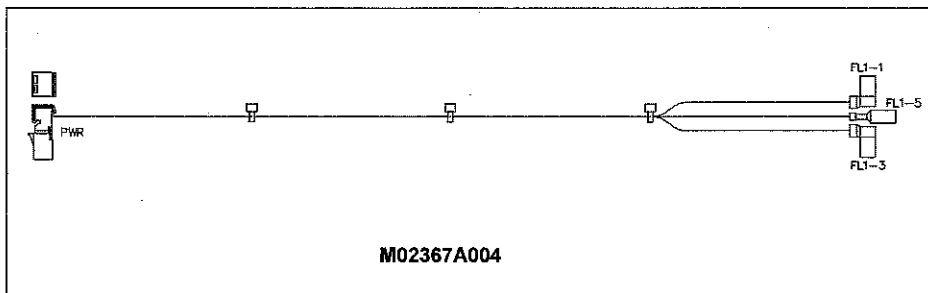
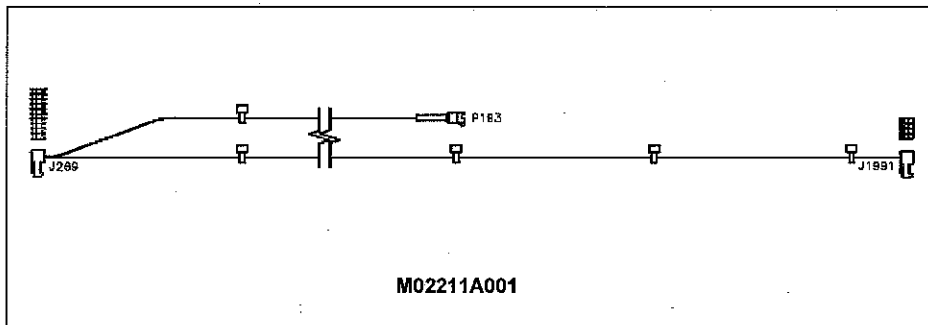
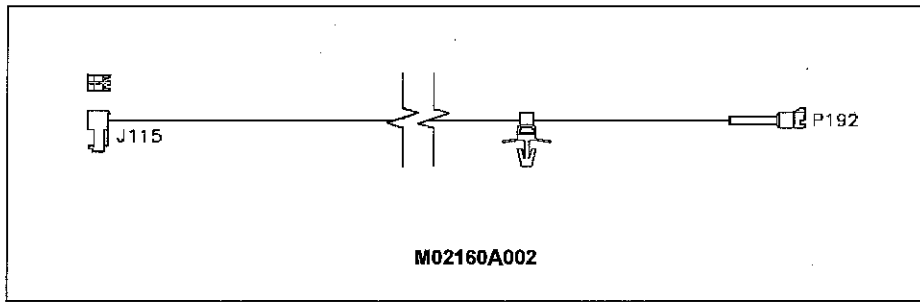
Cash Acceptor Option

Cable Description	Current Part	Previous Part	Where Used
AC Adaptor Cable (No Longer Used)	-	M01589A001	A
Cash Acceptor Cable	M02154A002	M02154A001	C
Security Switch Interface Cable	M02160A002	-	C
Data and LCR Switch Cable	M02211A001	-	C
Cash Acceptor Filter Line	M02367A004	M02367A002	C

Where Used Key:
 A. Encore 300 only
 B. Ultra-Hi only
 C. Both (Encore 300 and Ultra-Hi)

Cash Acceptor Cable Illustrations





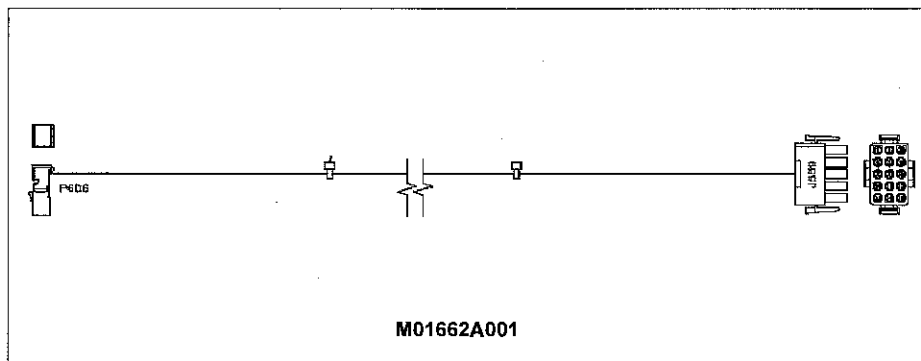
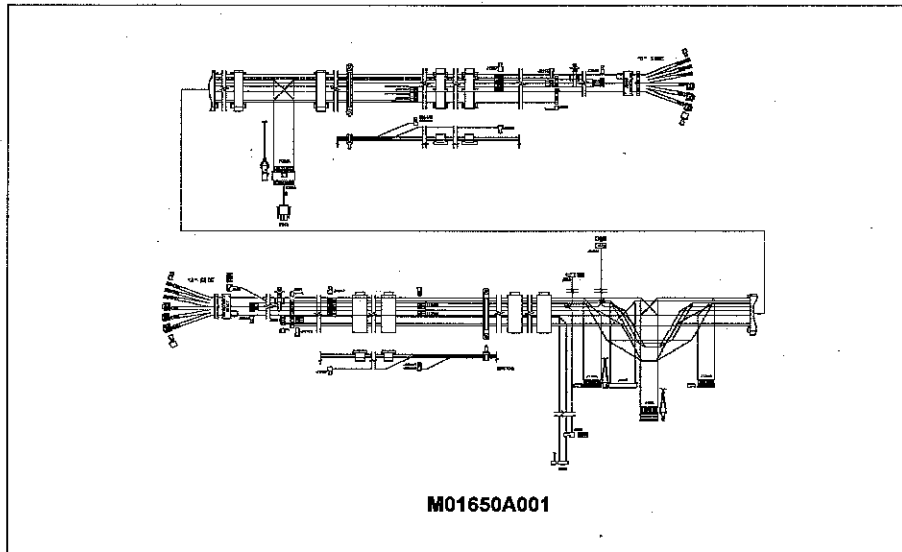
CRIND Option

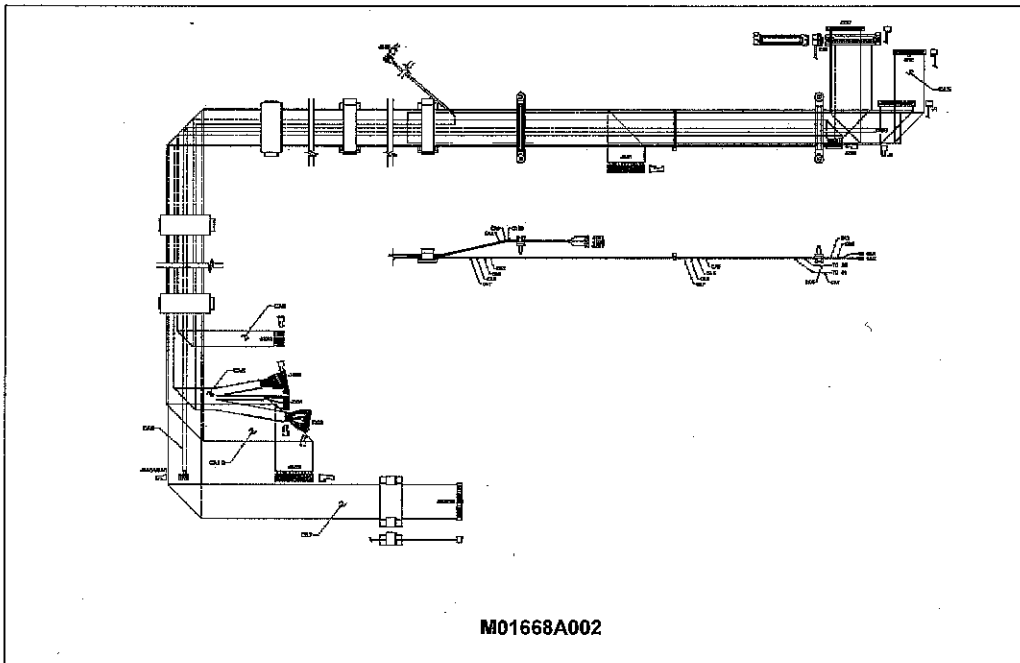
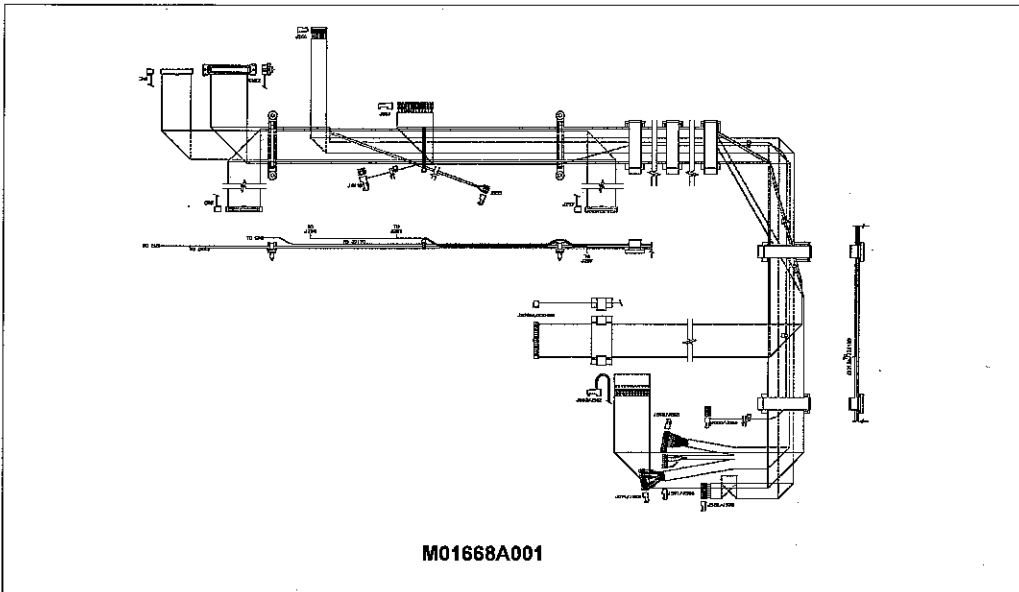
Cable Description	Current Part	Previous Part	Where Used
Main Interface Cable	M01650A001	-	C
CRIND Power Cable	M01662A001	-	C
CRIND Main Interface Cable (A-Side)	M01668A001	-	C
CRIND Main Interface Cable (B-Side)	M01668A002	-	C

Where Used Key:

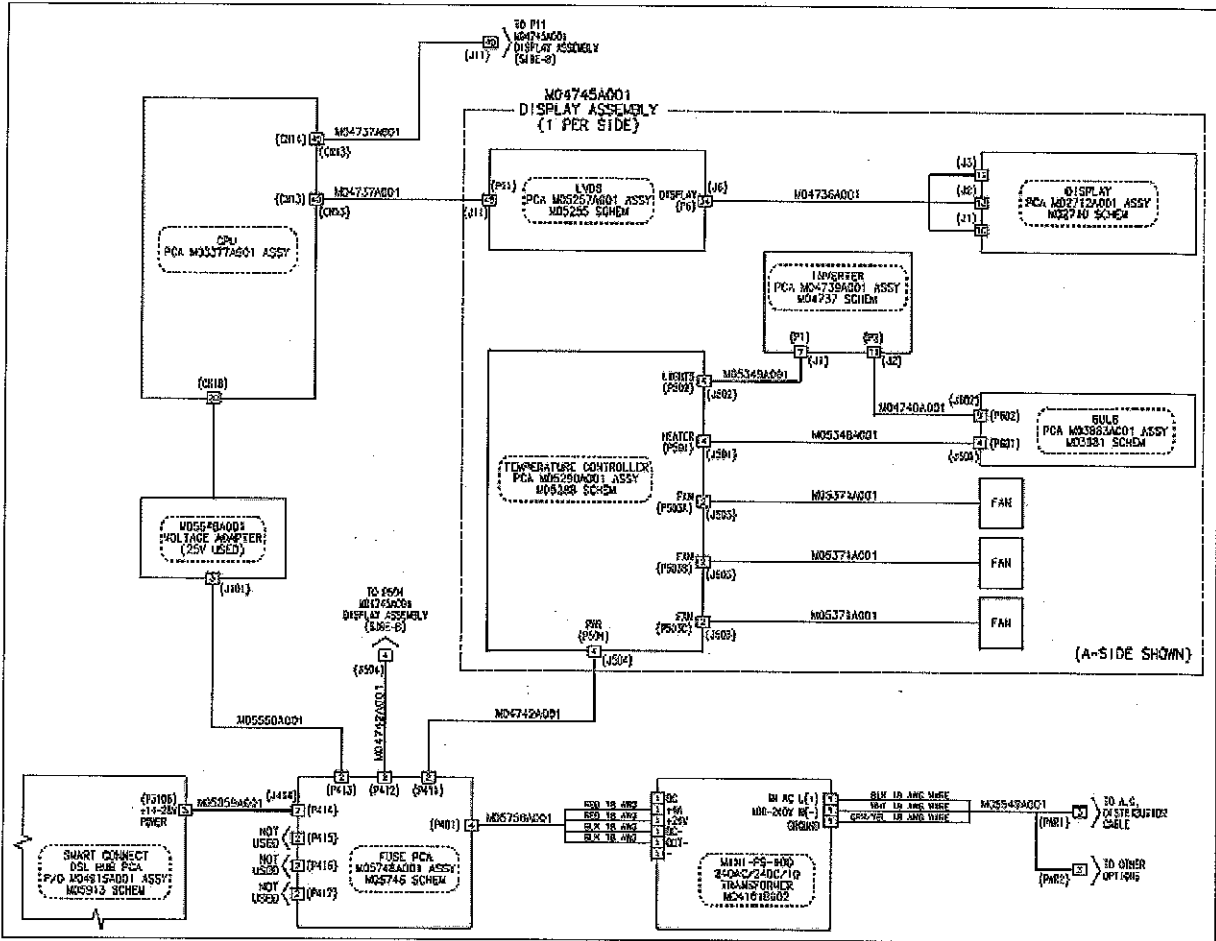
A. Encore 300 only
 B. Ultra-Hi only
 C. Both (Encore 300 and Ultra-Hi)

CRIND Cable Illustrations





SMART CRIND™ Cable Illustration



Cable	From: (Location and Connector)	To: (Location and Connector)
M00719A003	Serial Programming Port	COM3 GSM
M03695B004	Pro Series USB SMART CRIND Control	
M05859A001	Power Supply	USB
M06302A001	06356B001 Switch	06187A002 Interface Board
M06304A001	06187A002 SMART CRIND Interface	
M07141A001	Cable, Pump Power Supply	Power Board
M06306A001	06187A002 Interface	GSM
M06307A001	Pump	06187A002 Interface
M06308A002	SMART CRIND	2-wire
M06309A001	Ethernet	
M06311A001	CPU Power	Power Supply
M06312A001	Serial	CMOS
M06313A001	SMART CRIND	GPIO
M06314A001	USB	

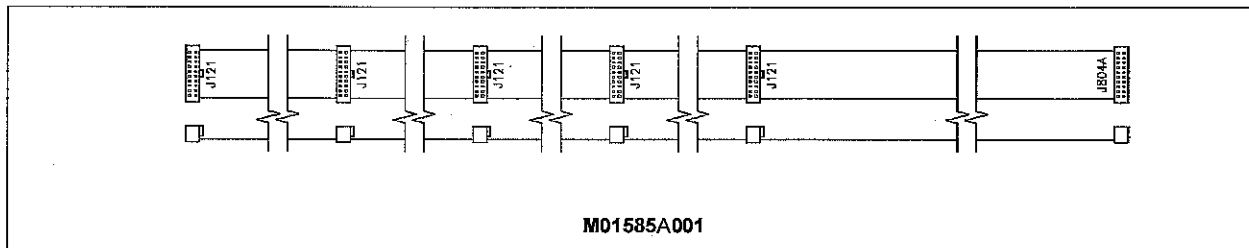
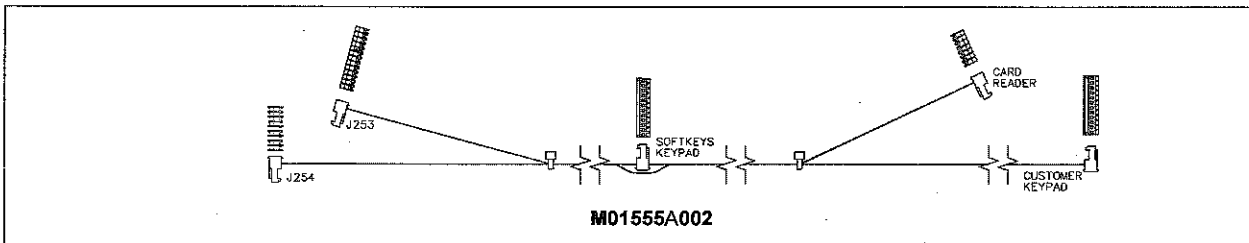
Main Access Door Electronics

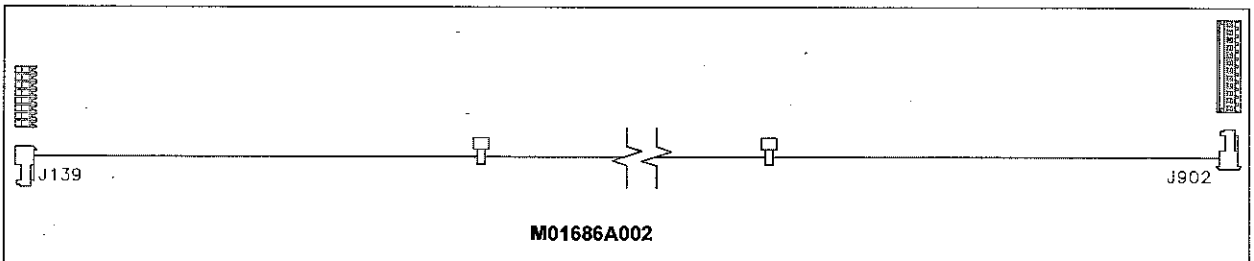
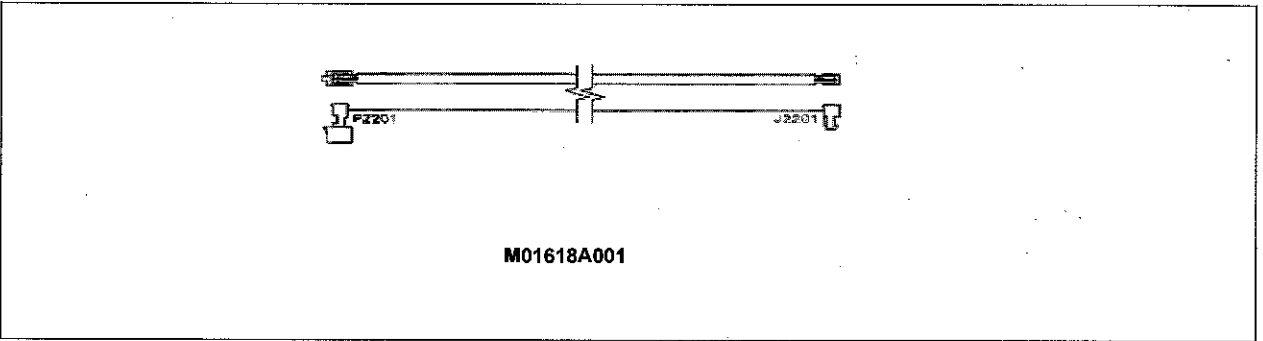
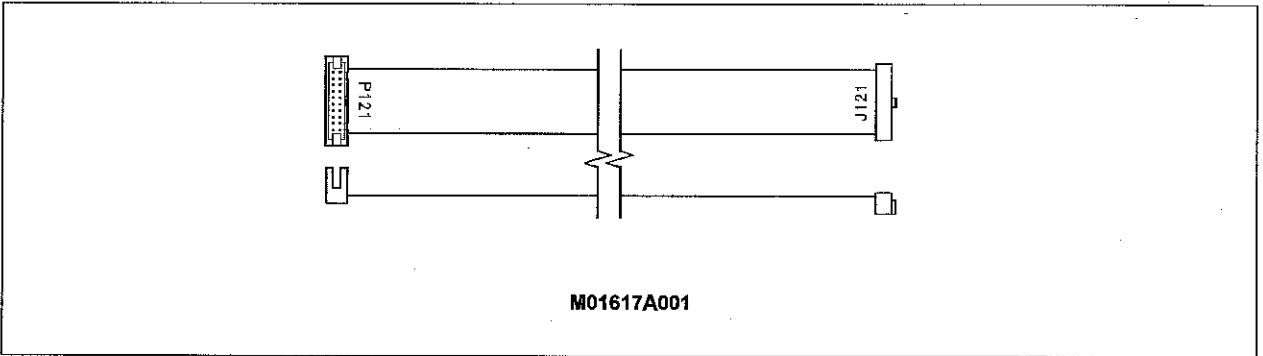
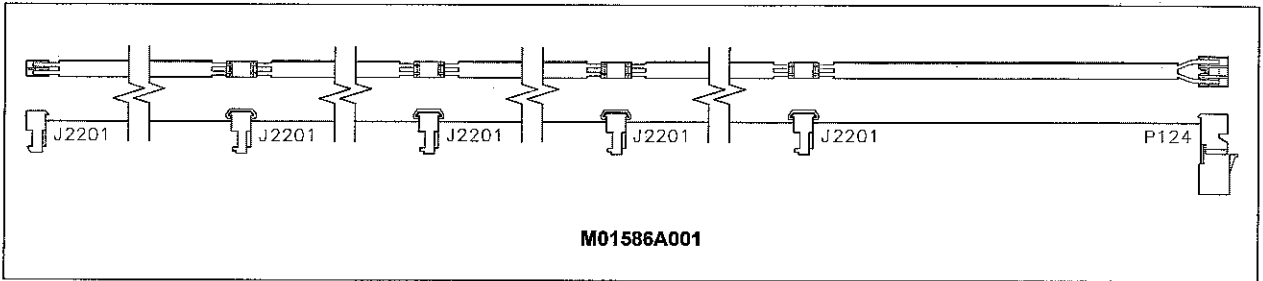
Cable Description	Current Part	Previous Part	Where Used
Customer Keypad Cable	M01555A002	M01555A001	C
PPU Data Cable	M01585A001	-	C
PPU Backlight Cable	M01586A001	M01586A002	C
PPU Data Cable (Left of CIM Door)	M01617A001	-	A
PPU Backlight Cable (Left of CIM Door)	M01618A001	-	A
5-Button Preset	M01686A002	M01686A001	C
Grade Select Cable (Extender)	M00495A002	-	A
ESD Ground Card Cable	M02134A001	-	C

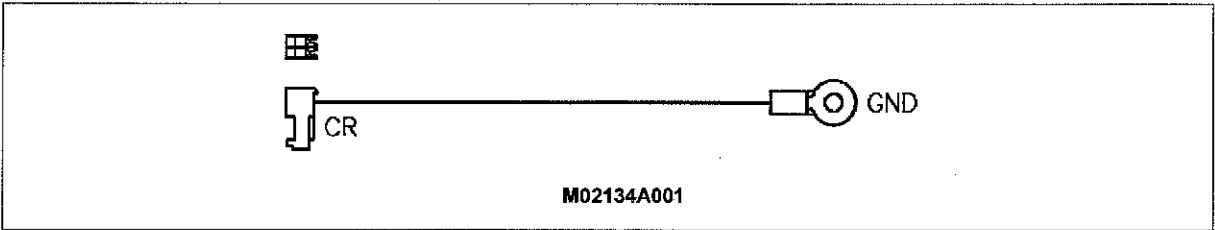
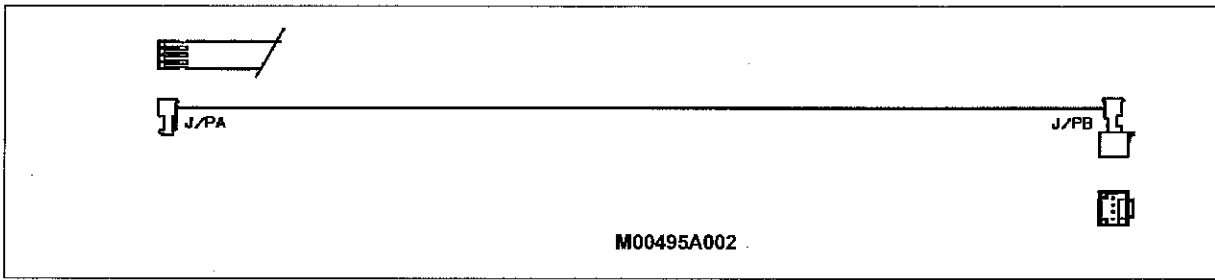
Where Used Key:
 A. Encore 300 only
 B. Ultra-Hi only
 C. Both (Encore 300 and Ultra-Hi)

Notes:
 1. Cable extenders.
 2. Use the following PCAs: M01598A001 and M01564A001 for Grade Select and PPP (Programmable Pump Preset) with options for 4, 5, and 6 grades. Use M01598A001 Pump Controller PCA for 6-hose blender and PPP option without 4, 5, 6 grade select option.

Main Access Door Electronics Cable Illustrations



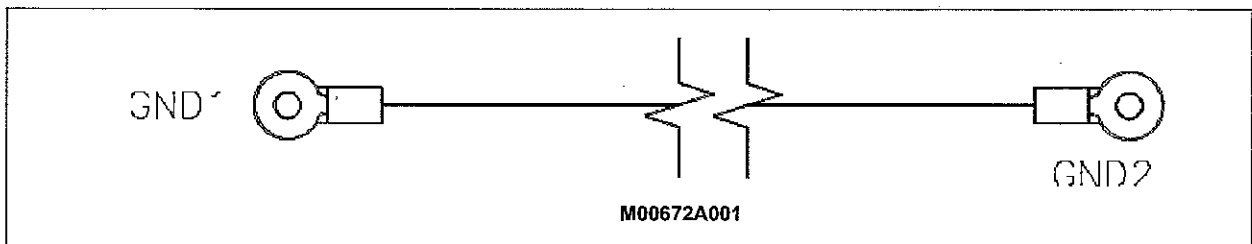


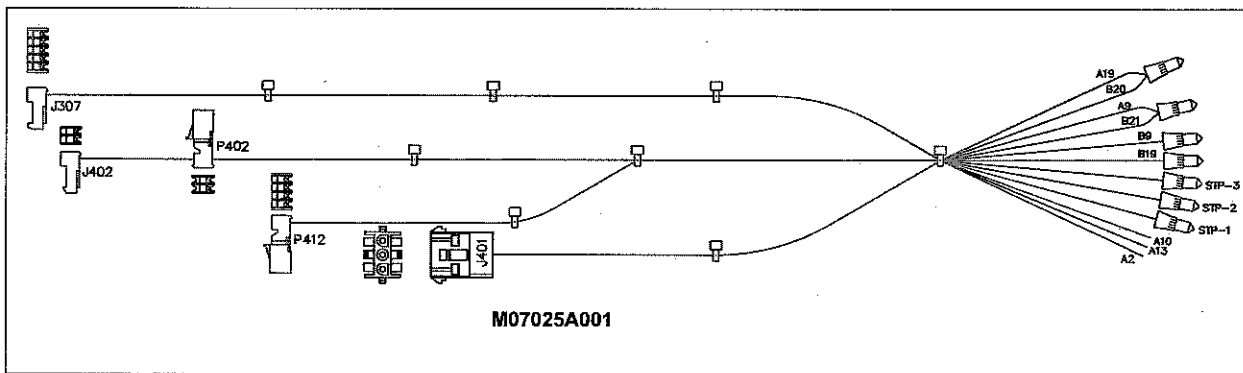
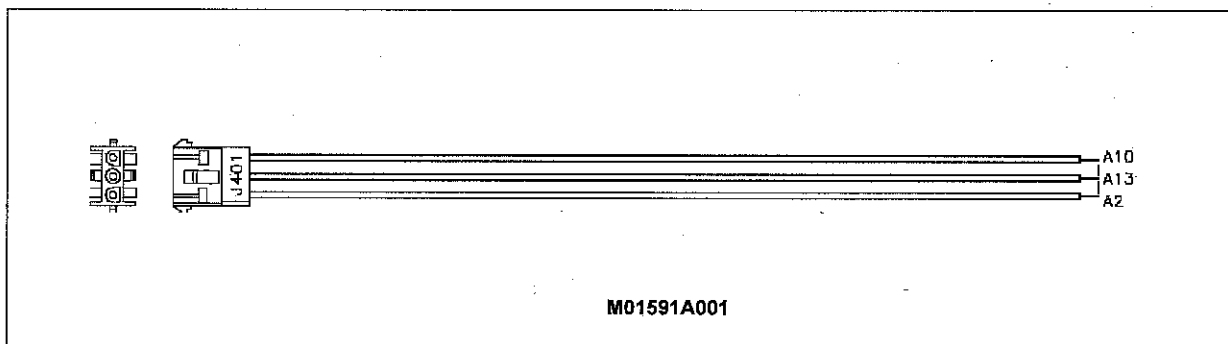
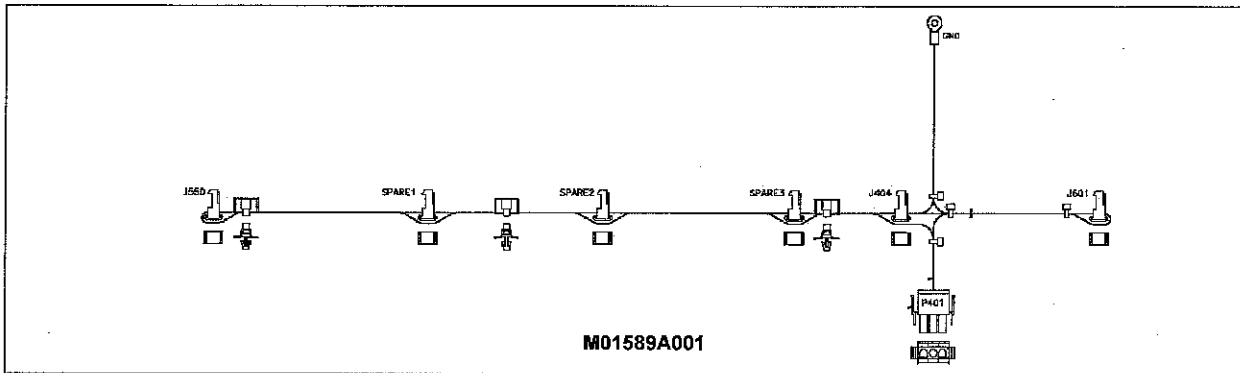


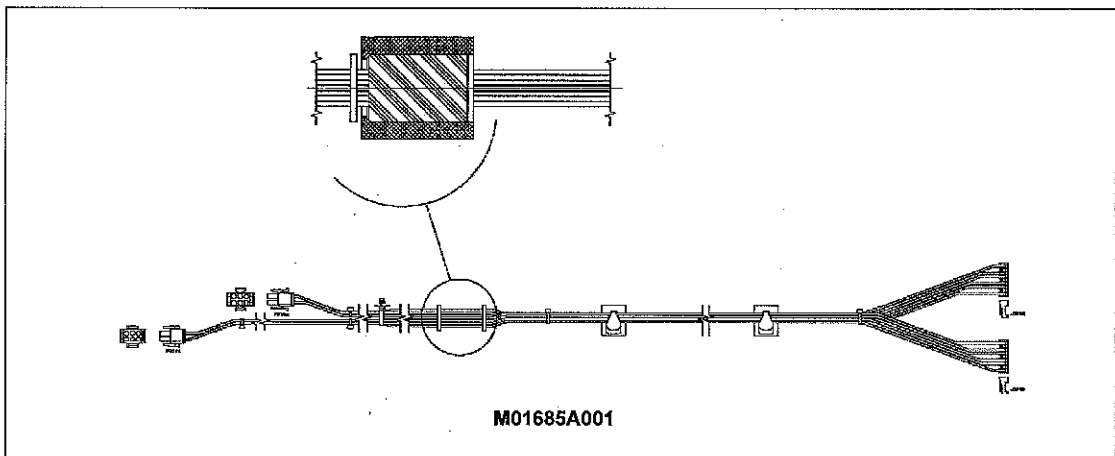
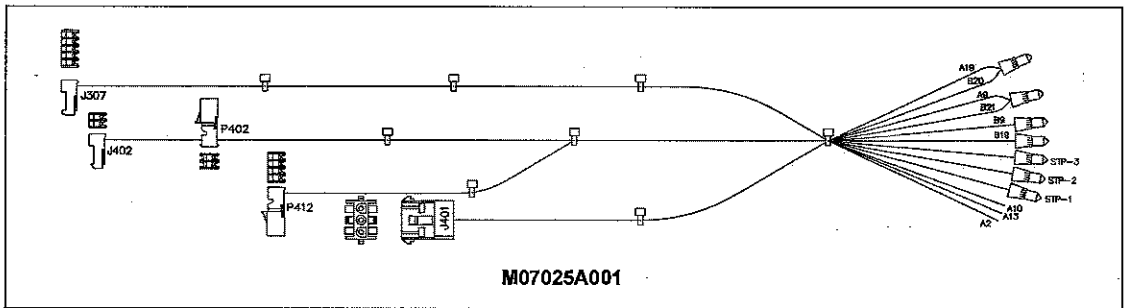
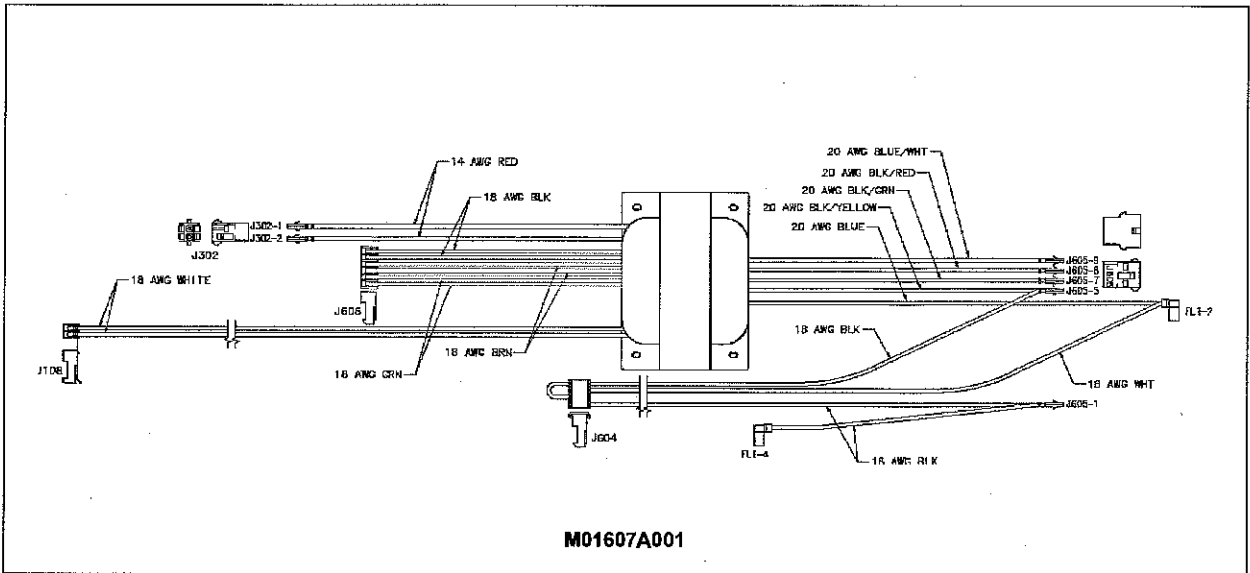
Main Power Supply

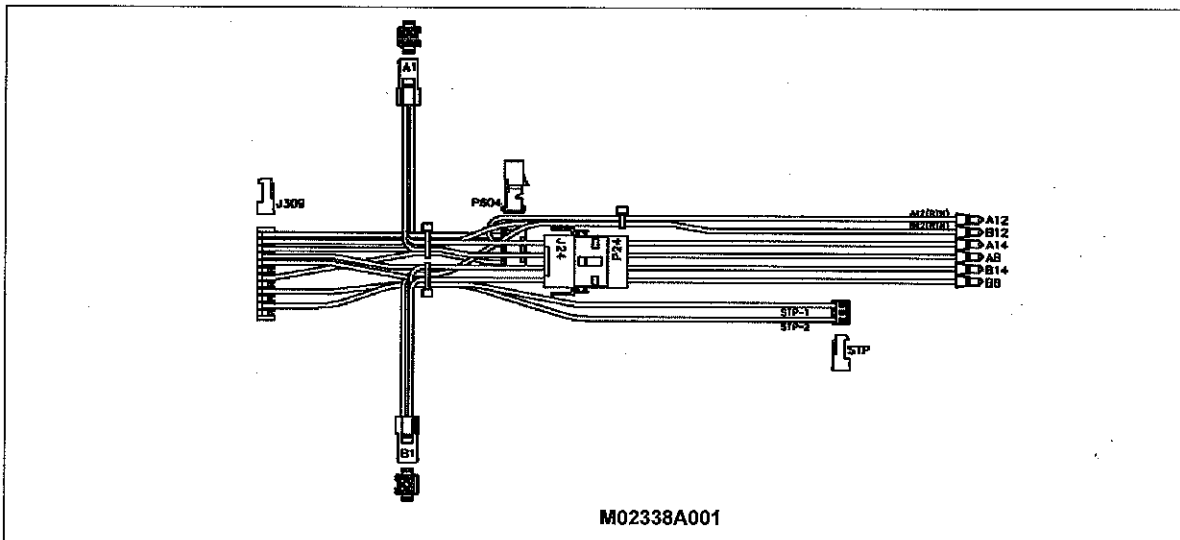
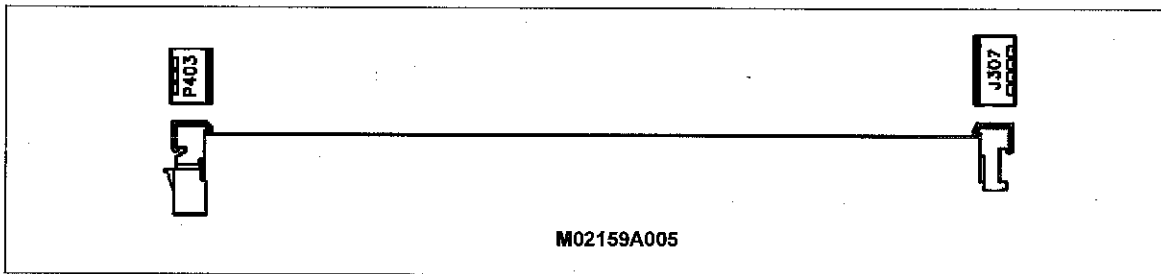
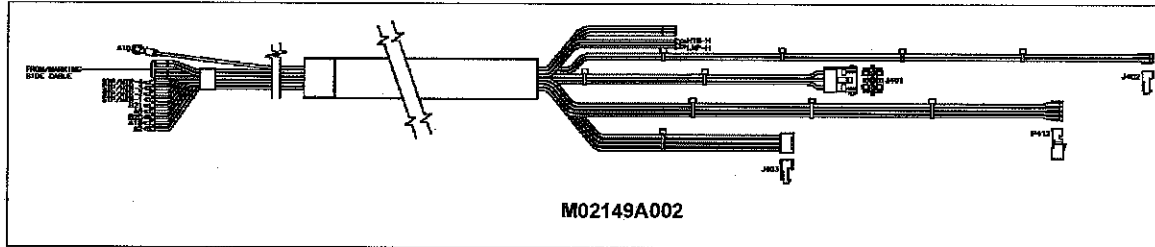
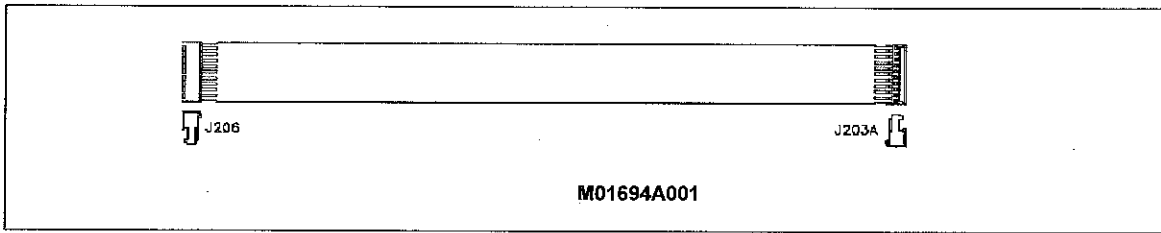
Cable Description	Current Part	Previous Part	Where Used
Ground Wire (No Longer Used)	-	M00672A001	C
AC Adaptor Cable (No Longer Used)	-	M01589A001	C
Power Cable	M01591A001	-	B, E
STP Control Cable	M07025A001	M01601A001	B
Transformer (No Longer Used)	-	M01607A001	C, E
2-wire Cable Assembly	M07025A001	M01664A001	B, E
6-hose Conduit Cable (No Longer Used)	-	M01685A001	-
Main Interface Cable	M01687A003	-	D
Controller Valve 6-hose Blender Cable (No Longer Used)	-	M01694A001	-
Main Conduit and Cable Assembly	M07025A001	M01601A001	A
Power Supply Cable (No Longer Used)	-	R20283-G2	C
Power Supply Adaptor Cable	M02159A005	-	A
Main AC Cable	M02338A001	-	B, E
AC Adaptor Card Cable	M02606A003	-	C, D, E
Varistor Cable 115 V	M02951A001	-	C, D, E
Varistor Cable 220-240 V	M02951A002	-	C, D, E
Master Option Only			
Satellite Cable	M02371A001	-	B, E
Valve Intercept Cable	M04218A001	M02372A001	B, E
Main AC Cable	M02338A001	-	B, E
Master/Combo Option			
Combo - Neutral Cable	M06156A001	M02384A001	B, E
Combo - Pump Handle Cable	M02385A002	M02385A001	B, E
Combo - 9 VAC Cable	M02386A001	-	B, E
Where Used Key:			
A. With Junction Box and Conduit			
B. Without Junction Box and Conduit			
C. Both with or without Junction Box and Conduit			
D. Pumping Units (Self-contained)			
E. Ultra-Hi (Encore Ultra-Hi units)			

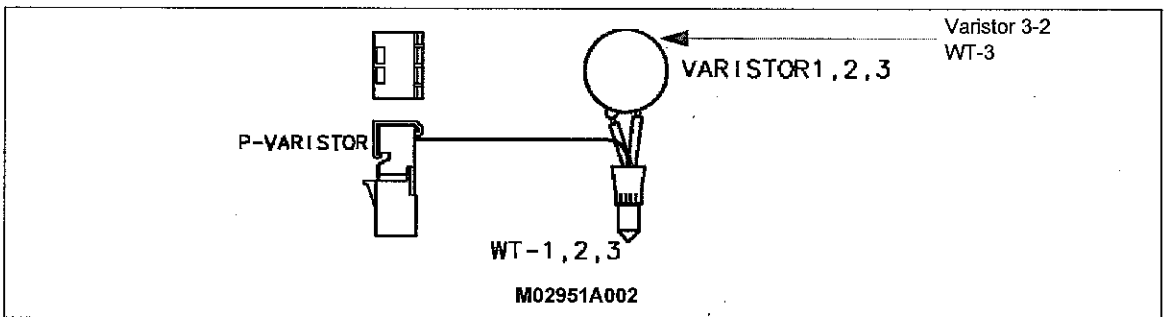
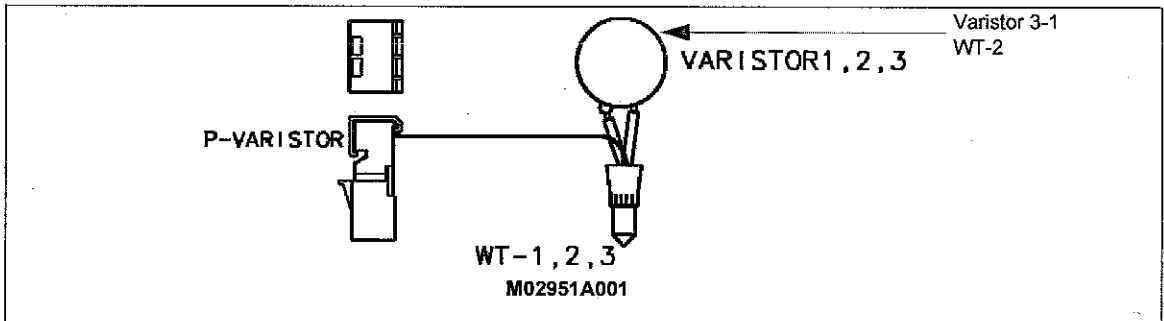
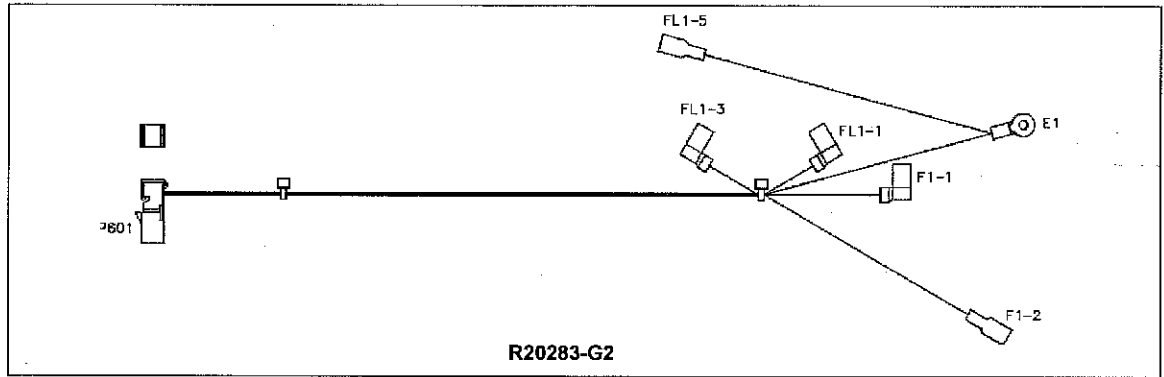
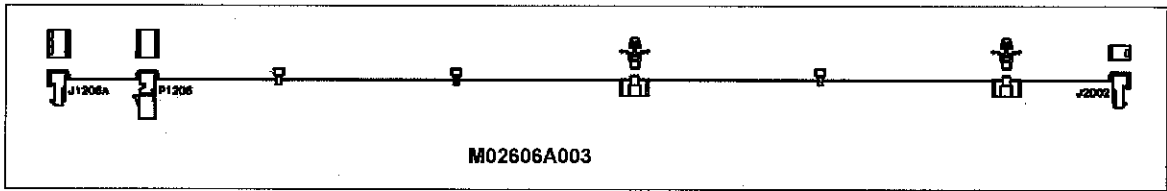
Main Power Supply Cable Illustrations

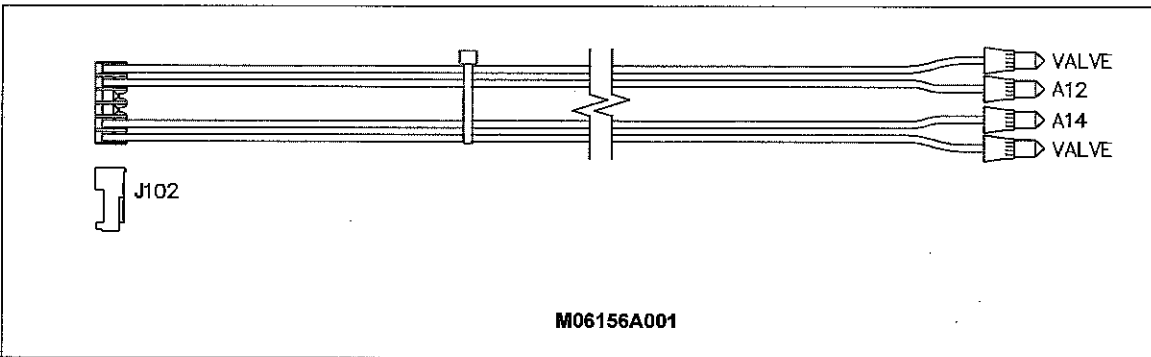
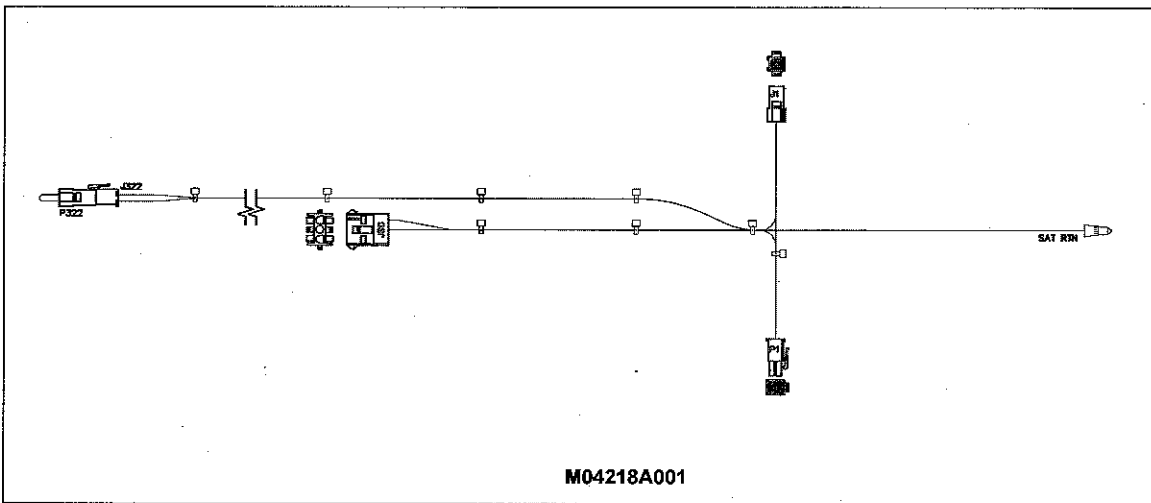
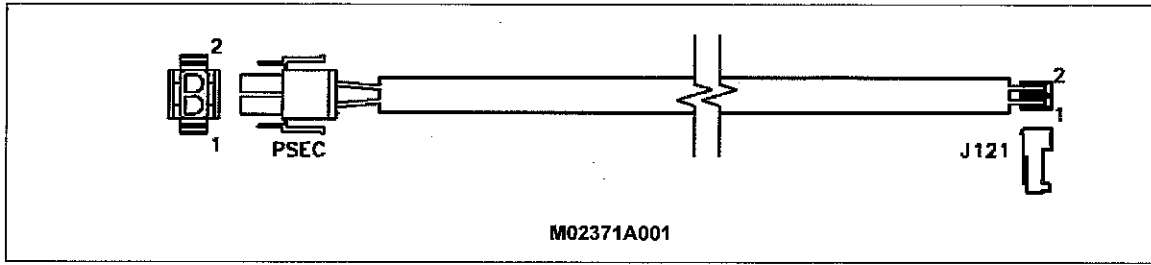


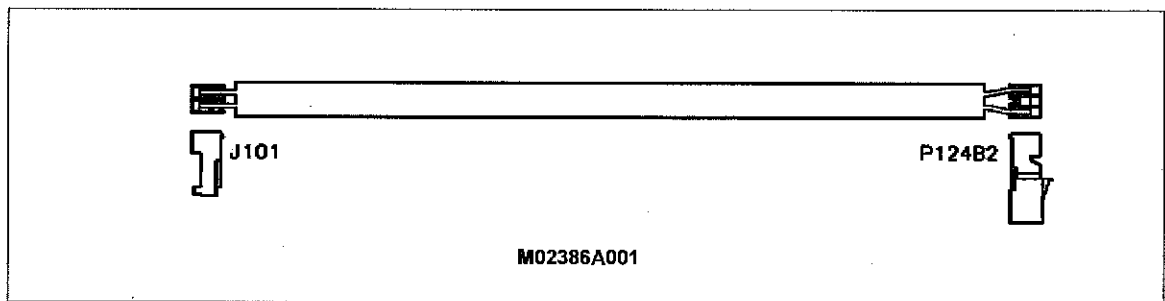
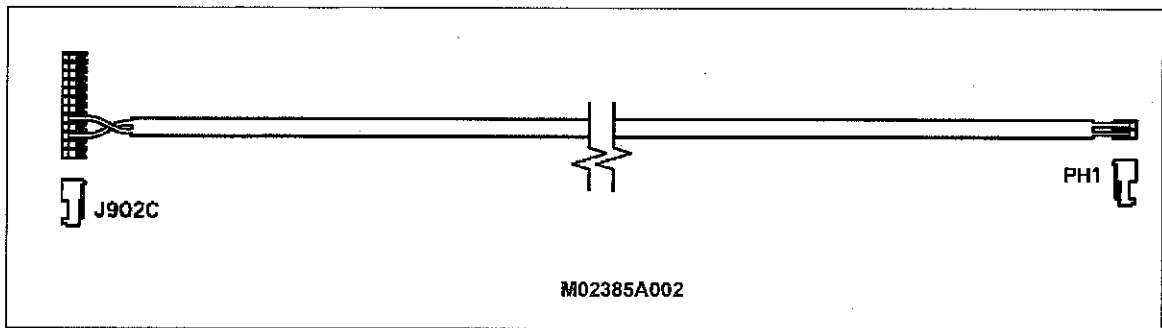












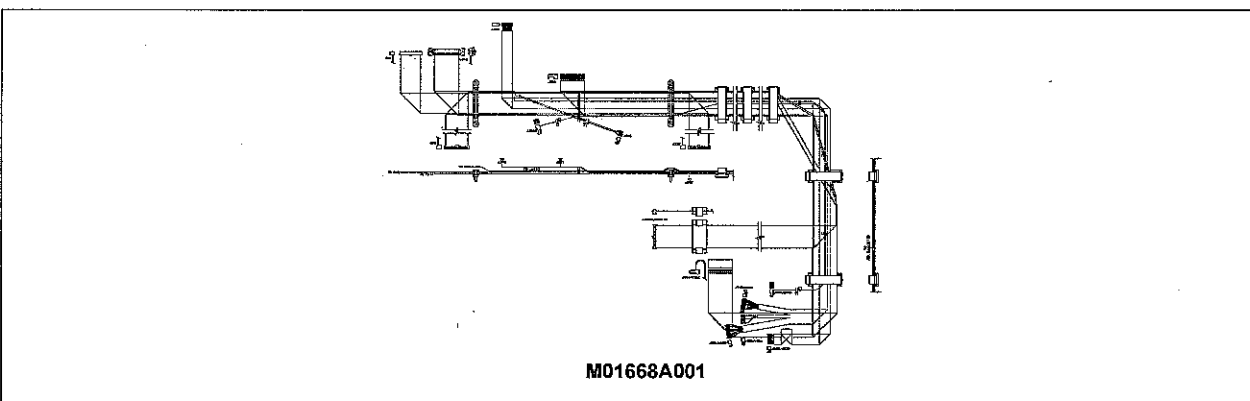
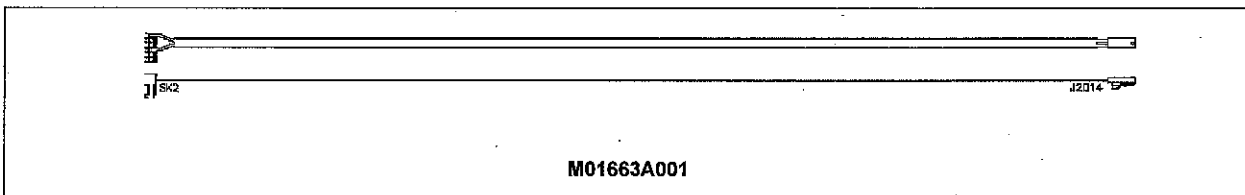
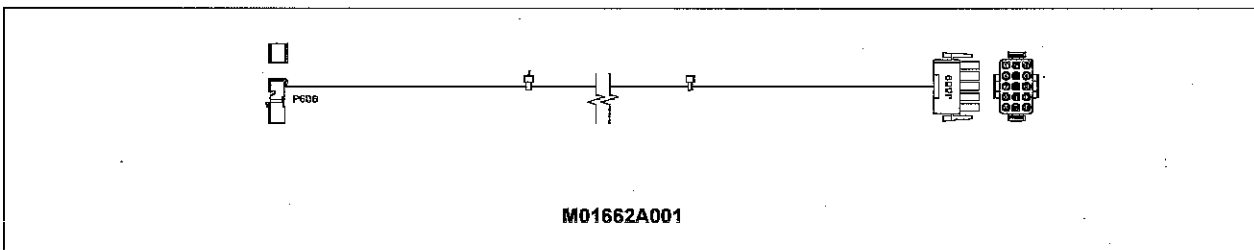
Monochrome "CRIND Device" Option

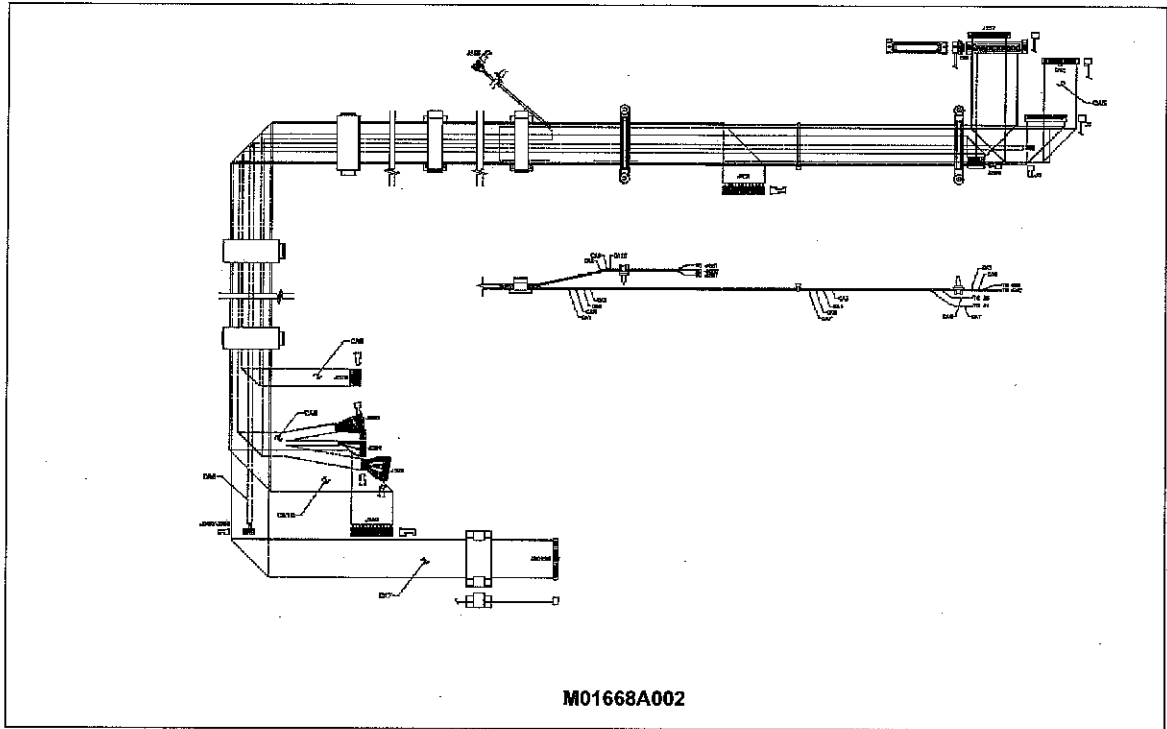
Cable Description	Current Part	Previous Part	Where Used
CRIND Cable Assembly	M01662A001	-	C
Monochrome Power Cable 5 V	M01663A001	-	C
Cable CRIND Main Interface (to A-side)	M01668A001	-	C
Cable CRIND Main Interface (to B-side)	M01668A002	-	C

Where Used Key:

A. Encore 300 only
 B. Ultra-Hi only
 C. Both (Encore 300 and Ultra-Hi)

Monochrome CRIND Device Cable Illustrations

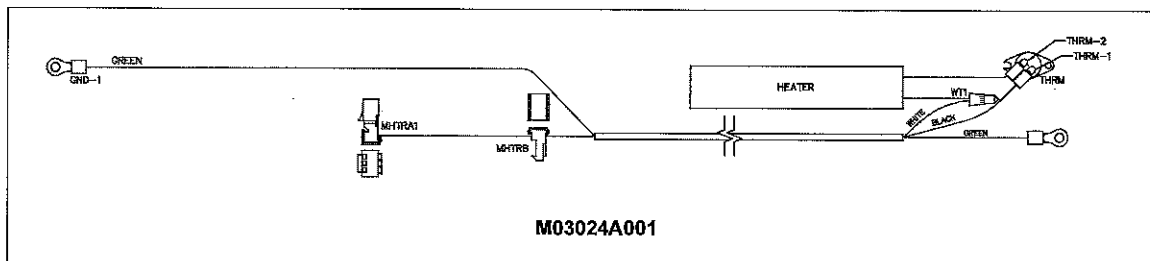




Monochrome Heater Option

Cable Description	Current Part	Previous Part	Where Used
Monochrome Display Cable	M06812A001	M03024A001	C
Where Used Key:			
A. Encore 300 only			
B. Ultra-Hi only			
C. Both (Encore 300 and Ultra-Hi)			

Monochrome Heater Option Cable Illustration



Printer

Cable Description	Current Part	Previous Part	Where Used
Printer Controller PCA	M01668A001 (A-side) M01668A002 (B-side)	-	C
Printer Controller PCA (Single-line CRIND "Only")	M01668A003 (A-side) M01668A004 (B-side)	-	C
Where Used Key: A. Encore 300 only B. Ultra-Hi only C. Both (Encore 300 and Ultra-Hi)			

Printer Cable Illustrations

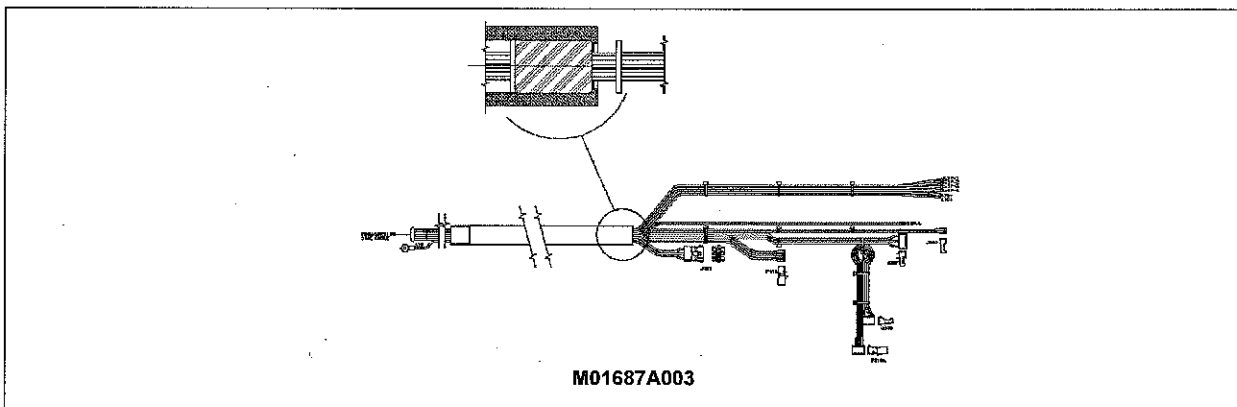
See "Monochrome CRIND Device Cable Illustrations" on page 8-28 for illustrations of cables M01668A001 and M01668A002.

See "Single Line CRIND Cable Illustrations" on page 8-35 for illustrations of cables M01668A003 and M01668A004.

Pumping Unit (Self-contained) Option

Cable Description	Current Part	Previous Part
Pump Conduit	M01687A003	M01687A002

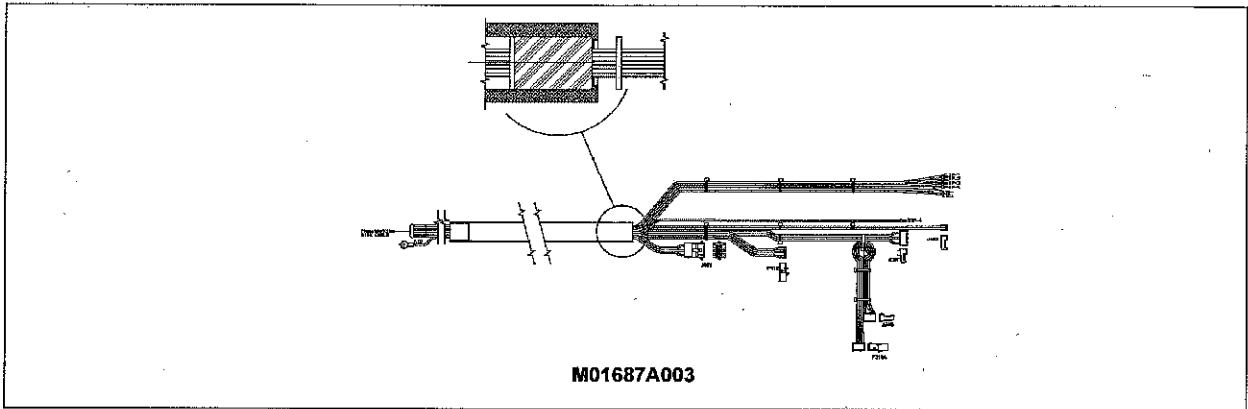
Pumping Unit Cable Illustrations



Pumping Unit (Self-contained) Option Encore 300

Cable Description	Current Part	Previous Part
Pump Conduit	M01687A007	M01687A003 M01687A002

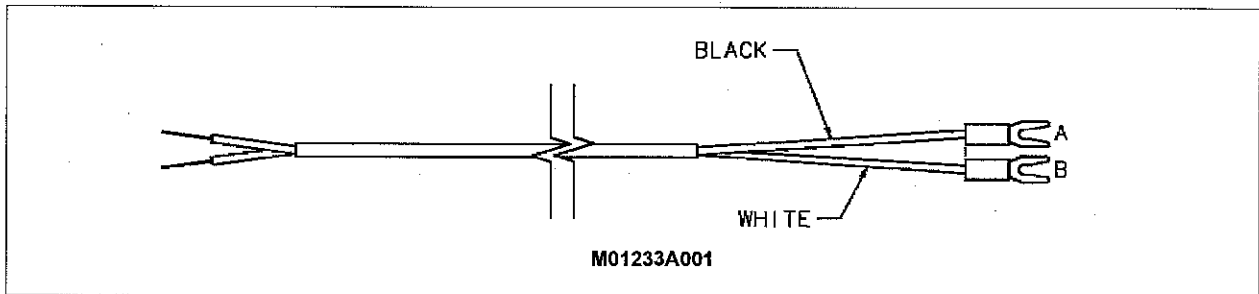
Pumping Unit Cable Illustrations

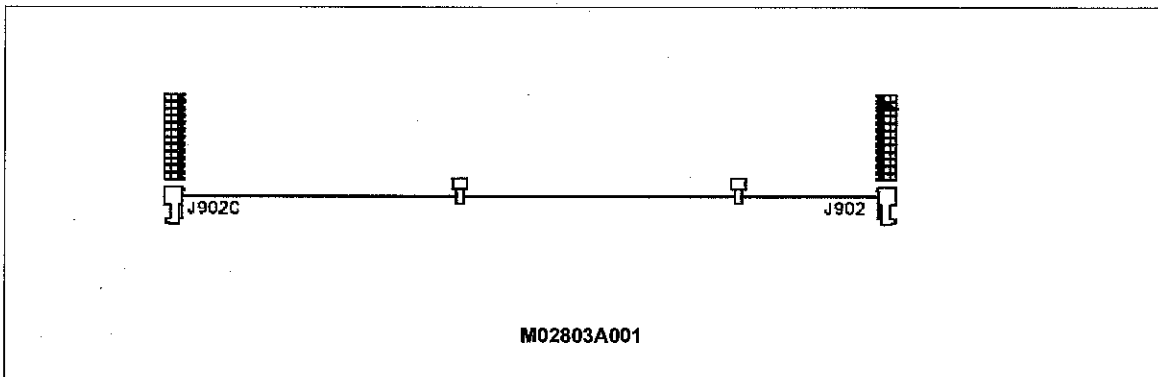
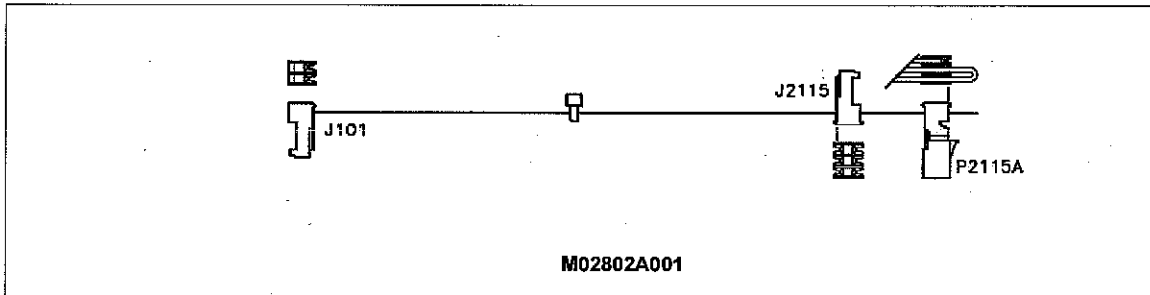
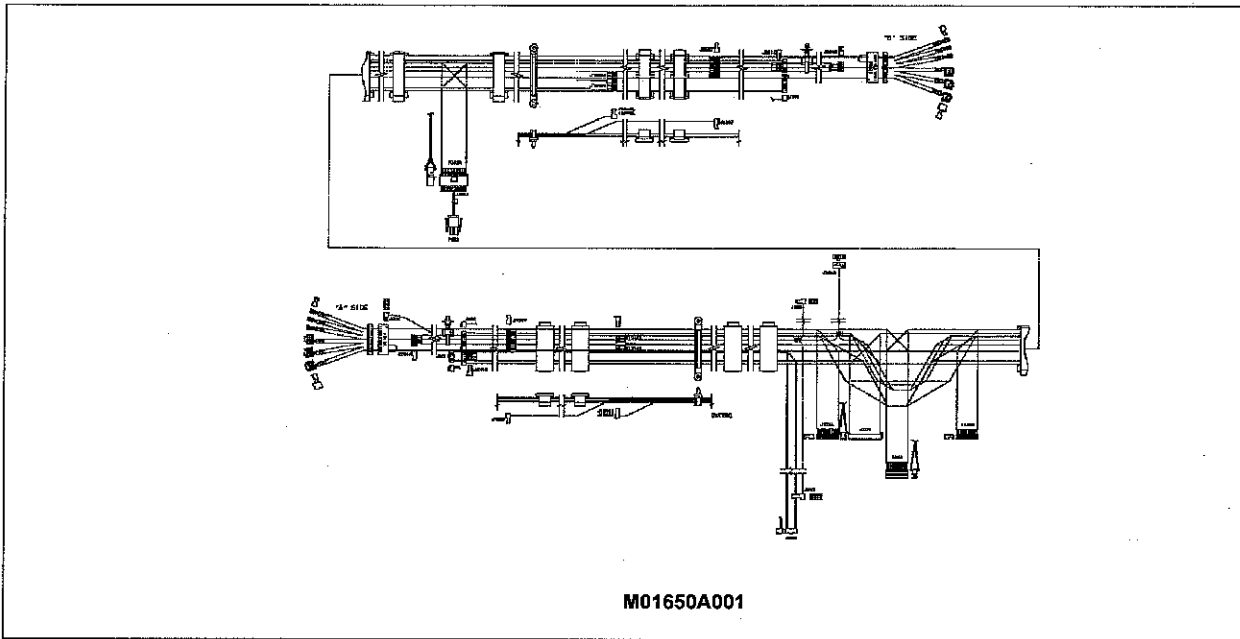


Pump Stop/Call Option

Cable Description	Current Part	Previous Part
Call Button Cable	M01233A001	-
Main Interface Cable	M01650A001	-
Call Interface Cable	M02802A001	-
Keypad to Call Interface Cable	M02803A001	-

Pump Stop/Call Cable Illustrations

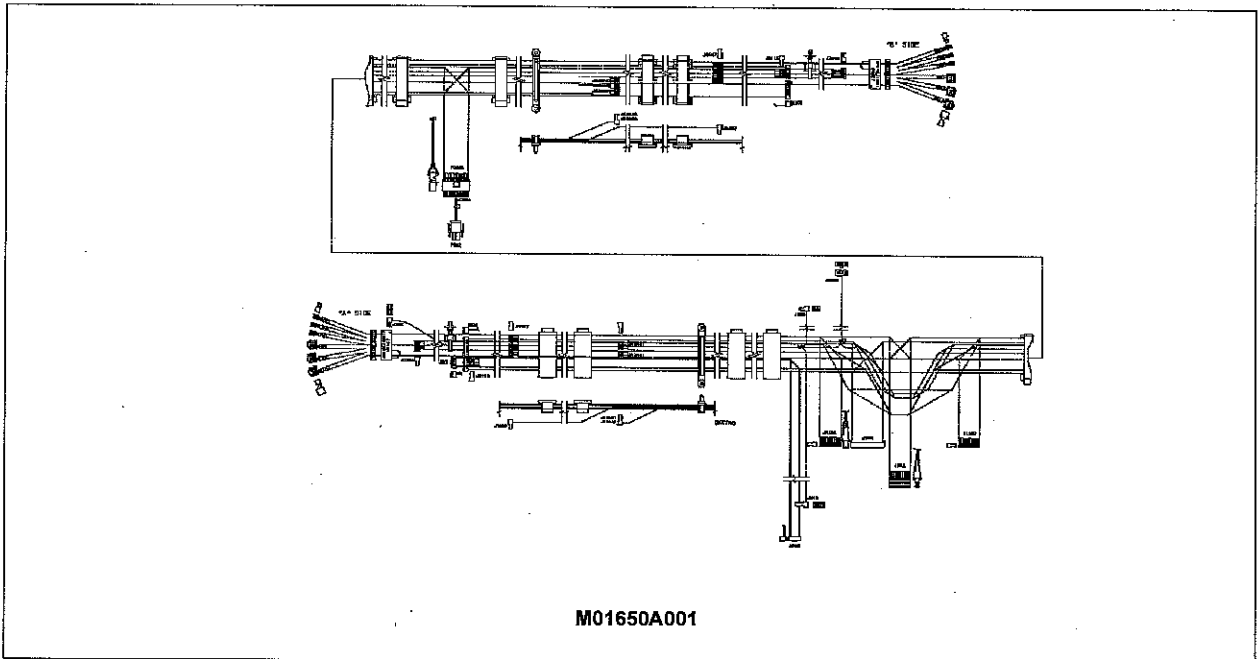
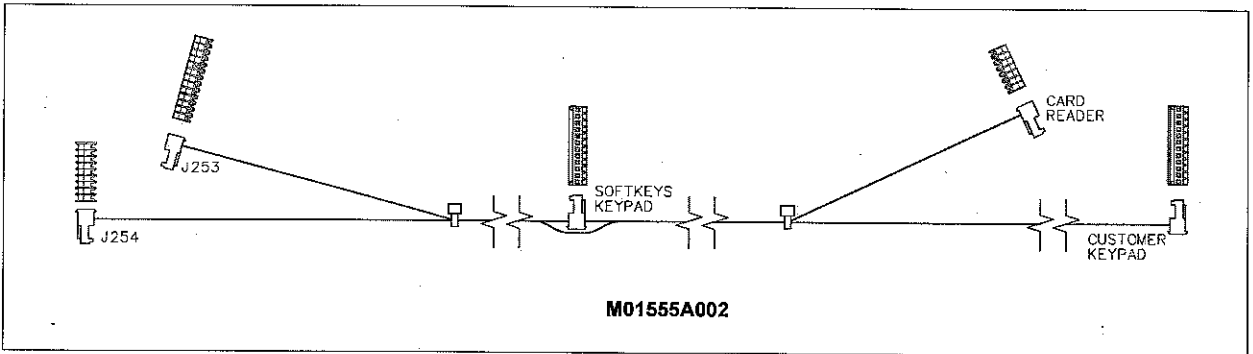


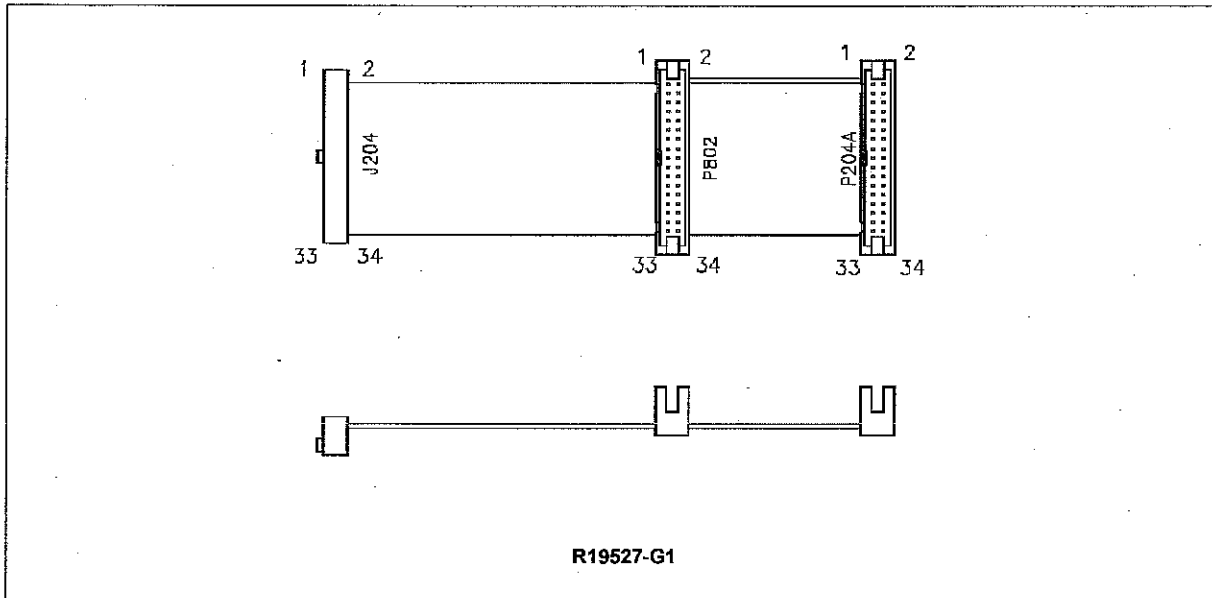
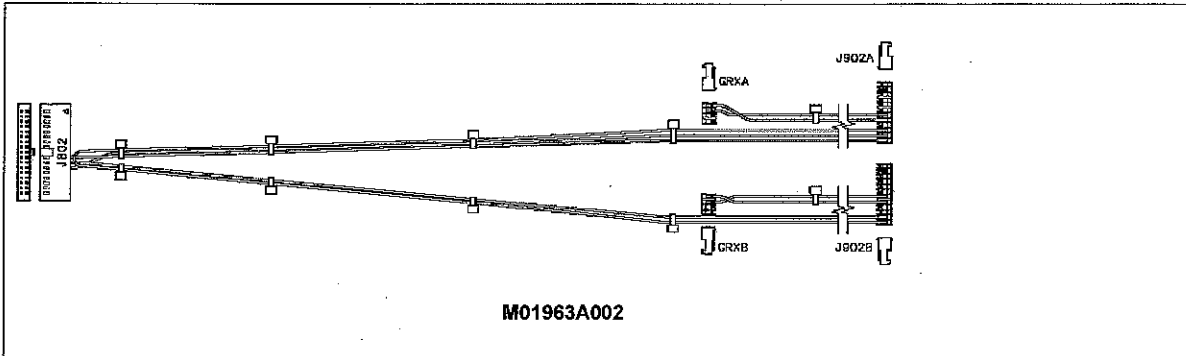


Pump Stop/Push-to-Start Option

Cable Description	Current Part	Previous Part
Customer Keypad and Softkey Cable	M01555A002	M01555A001
Main Interface Cable	M01650A001	-
Pump Stop/Push-to-Start Cable	M01963A002	-
Calib Switch Cable Assembly	R19527-G1	-

Pump Stop/Push-to-Start Cable Illustrations

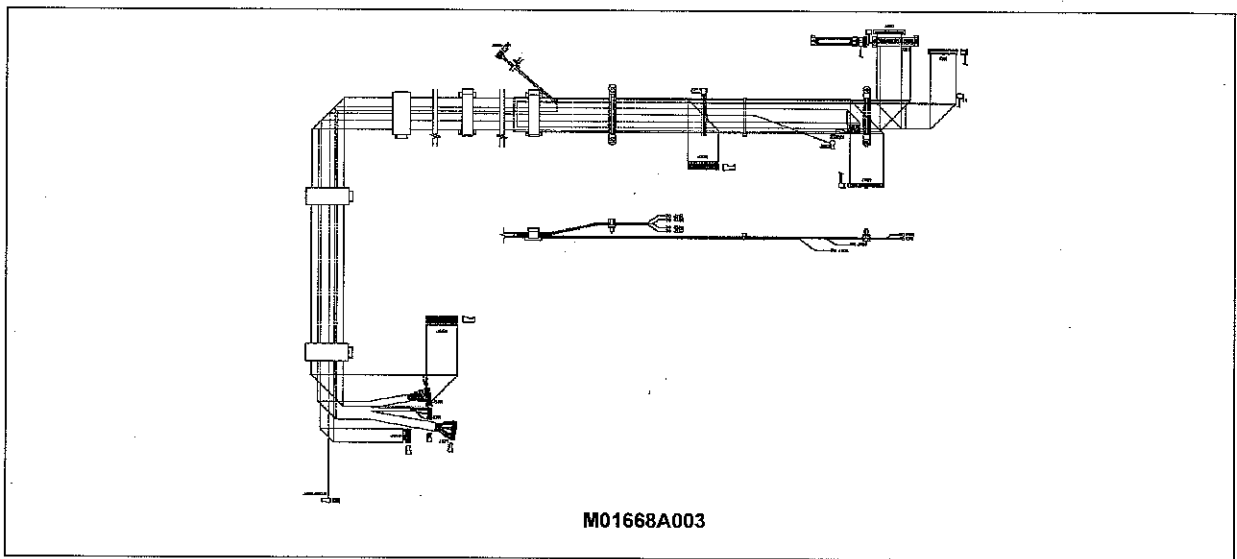
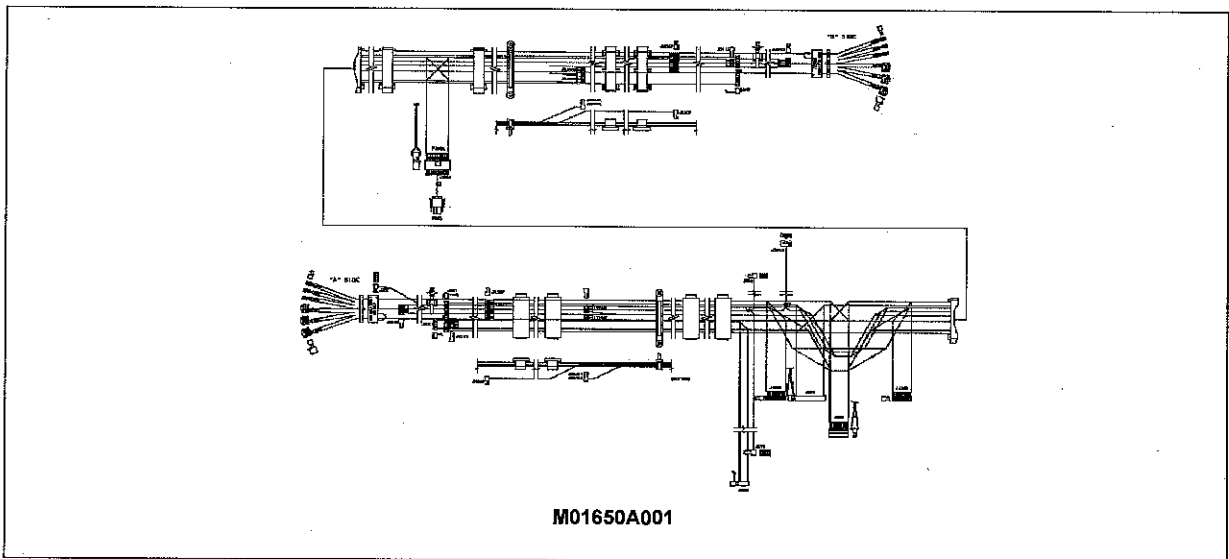


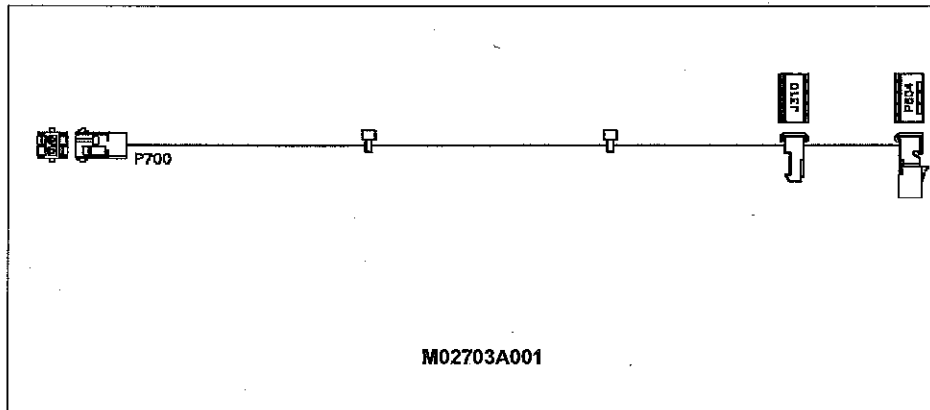
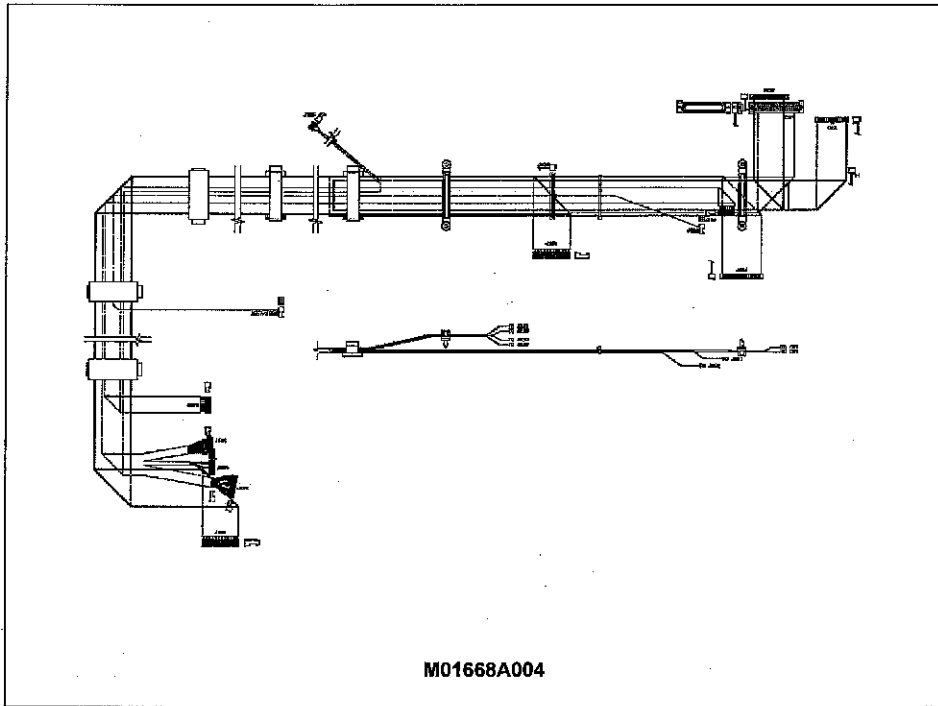


Single Line CRIND Option

Cable Description	Current Part	Previous Part
Main Interface Cable	M01650A001	-
CRIND Main Interface Cable (A-side)	M01668A003	-
CRIND Main Interface Cable (B-side)	M01668A004	-
AC Power Cable (Single)	M02703A001	-

Single Line CRIND Cable Illustrations





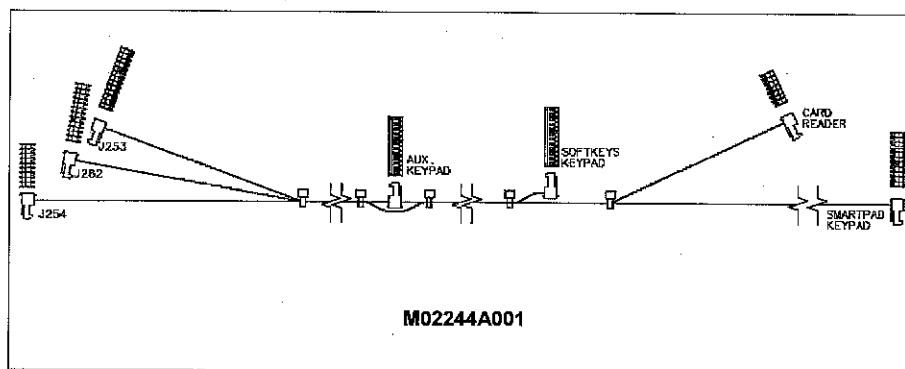
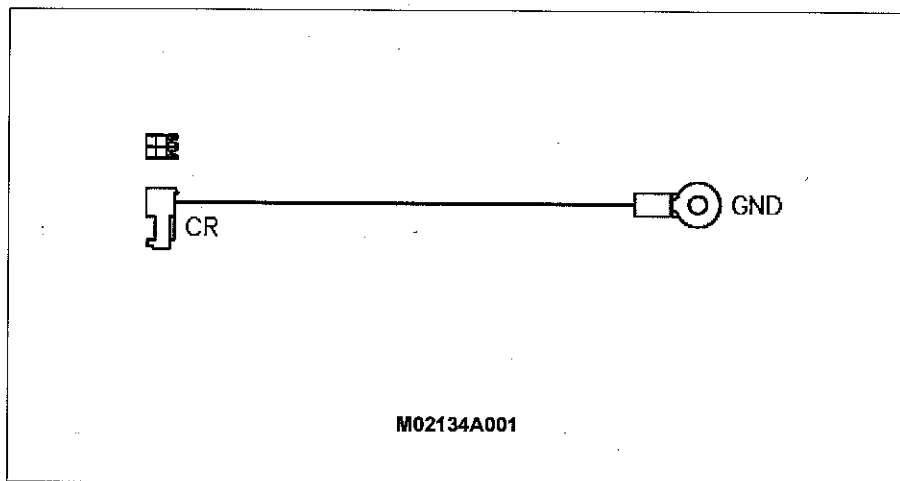
SmartPad Option

Cable Description	Current Part	Previous Part	Where Used
Cable, ESD Ground Card Reader	M02134A001	-	C
Cable, SmartPad/Softkeys/Card Reader	M02244A001	-	C

Where Used Key:

- A. Encore 300 only
- B. Ultra-Hi only
- C. Both (Encore 300 and Ultra-Hi)

SmartPad Cable Illustrations



TRIND Option

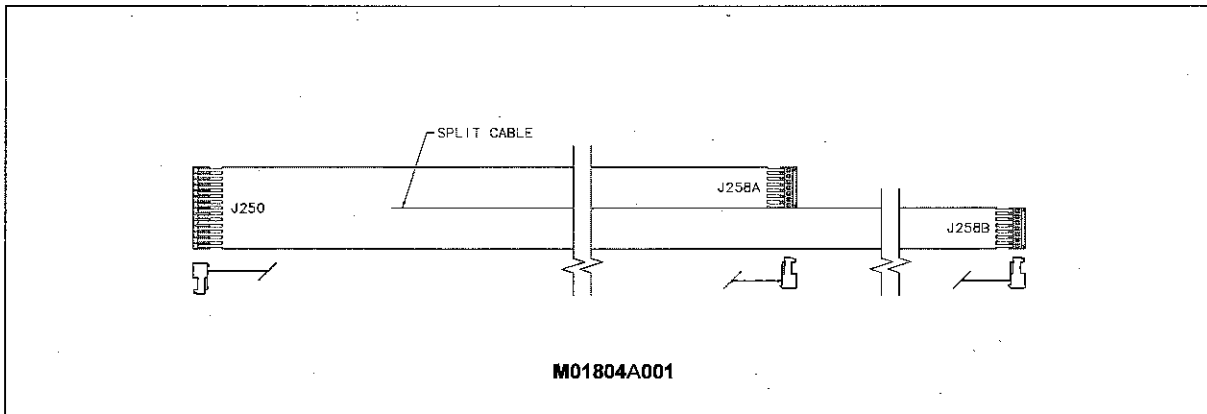
Note: Refer to MDE-3664 TRIND Start-Up/Service/Parts Manual for cable block diagrams.

Cable Description	Current Part	Previous Part	Where Used
TRIND to CRIND	M01804A001	-	C
TRIND Gateway to CRIND Cable	M00515A002	-	D
Cable, TRIND Door	M00507A001	-	D
Cable, Light/Multi Protocol	R20773-G2	-	D
Cable, TRIND Power	M06763A001	-	D

Where Used Key:

- A. Encore 300 only
- B. Ultra-Hi only
- C. Both (Encore 300 and Ultra-Hi)
- D. Encore S Series Units

TRIND Cable Illustrations



VaporVac Option

Cable Description	Current Part (less vapor valves)	Previous Part (with vapor valves)	Where Used
VaporVac Valve/Motor Upper Housing Control	M00830A003	-	A
Conduit and Cable Assembly	-	M00845A002	A
Valve/Motor Control CD Module	M00845A003	M00845A001 M00845A002	A
VaporVac Cable	M01665A001	M01665A001	A
VaporVac Interface Cable	M01666A001	M01666A001	A
VaporVac 5 V Power Cable Assembly	M01667A001	M01667A001	A
VaporVac Power Cable (No Longer Used)	M02710A001	M01764A001	A
VaporVac Power Cable	-	M01765A001	A
Ribbon Cable, 20 con (Reg/Logic)	R17995-G7	R17995-G7	A
Calib Switch Cable Assembly	R19527-G1	R19527-G1	A
Ribbon Cable Assembly, 20 con	-	R19666-G1	A
Ribbon Cable Assembly, 34 con	R19667-G1	R19667-G1	A
Cable Assembly	T18186-G1	T18186-G1	A
Where Used Key:			
A. Encore 300 only			
B. Ultra-Hi only			
C. Both (Encore 300 and Ultra-Hi)			

VaporVac Cable Illustrations

