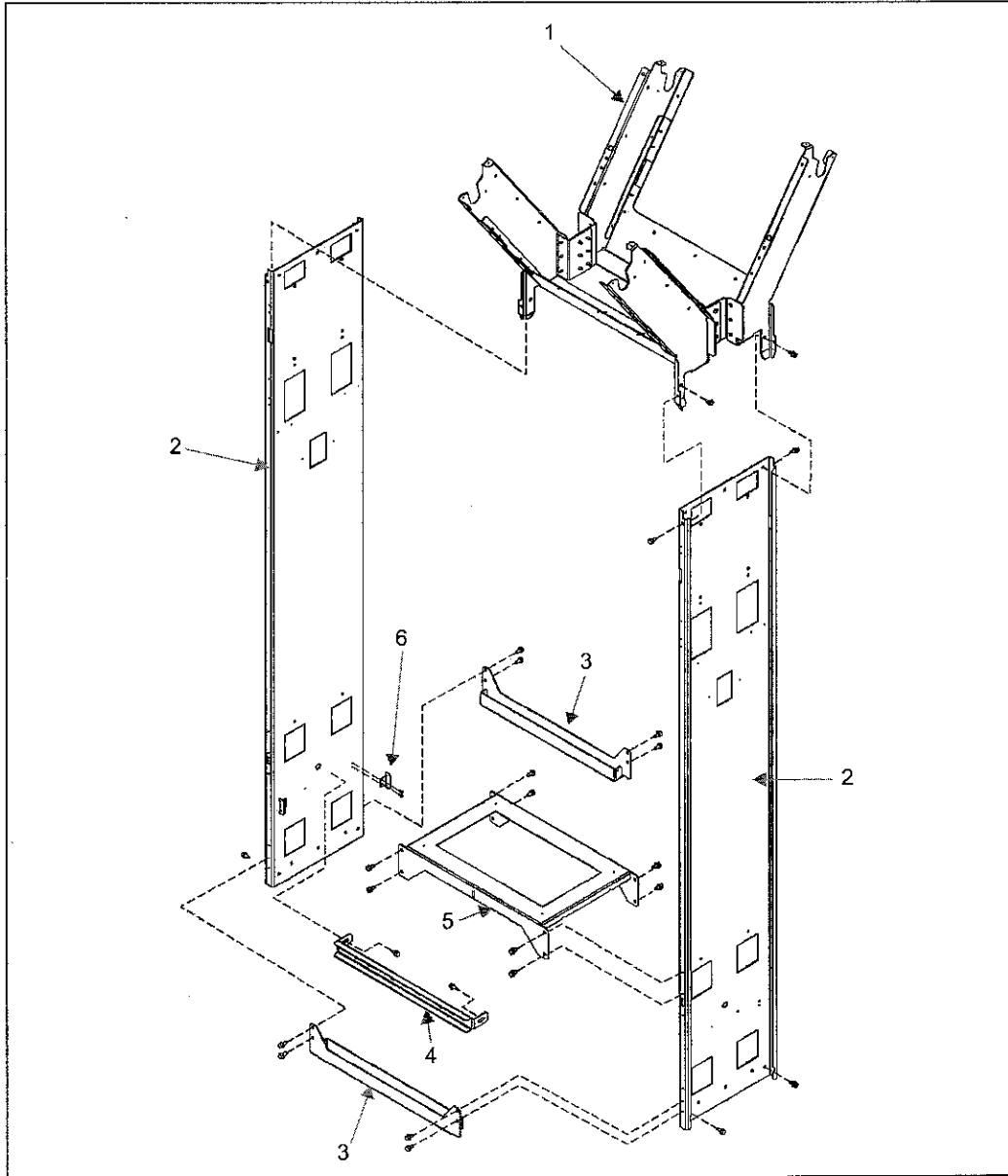


9 – Frame and Skin Section

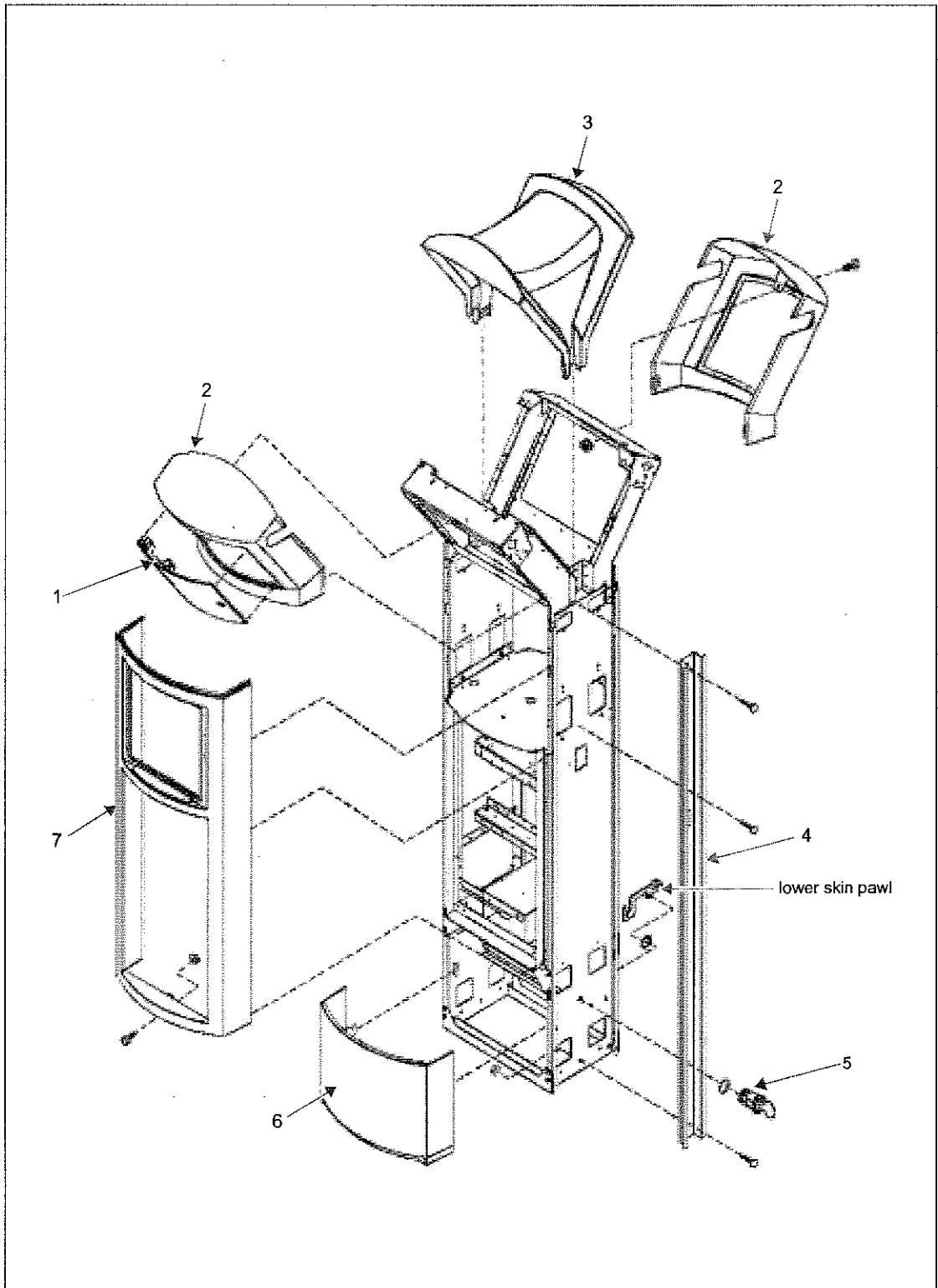
Frame Assembly



Item #	Description	Current Part	Previous Part	Quantity
1	Upper Y Frame Assembly	M00190A001	-	1
	• Screw Metric M8X18	-	-	8

Item #	Description	Current Part	Previous Part	Quantity
2	Column	M00166B001	-	2
3	Strut-Base Rail	M00169B001	-	2
	• Screw Metric M8X18	-	-	12
4	Strut Inlet Pipe Support	M00170B001	-	1
	• Screw Metric M8X18	-	-	2
5	Strut-Pan	M00168B001	-	1
	• Screw Metric M8X18	-	-	8
6	Bracket Skin Column Mount	M00618B001	-	4
	• Screw Metric M4X12	-	-	8

Skins



Item #	Description	Current Part	Previous Part	Quantity
1	Skin door under	M00278A001	-	2
2	Skin under	M00277A001	-	2
	• Screw, metric serrated flange hex head		-	2
	• Nut, metric serrated flange hex head		-	2
3	Skin saddle	M00899A001	-	1
4	Tuxedo stripe	M00167B003	M00167B002	2
	• Bolts, round head square neck (with hex nut)		-	4
5	Panel lock (Key type)	K83512-30	-	2
	Lock spring	K83382	-	2
	• Washers		-	2
	Pawl skin lower	M00254B002	M00254B001	2
6	Skin lower door	M00276A001	-	2
7	Skin front	M00275A001	-	2
	• Screw, metric serrated flange hex head		-	2
	• Nut, metric serrated flange hex head		-	2
Not shown				
-	Sheathing, Blanking	M00237B001	-	2
-	Sheathing, Blanking	M00238B001	-	2
-	Sheathing, Blanking	M00264B001	-	2
-	Sheathing, Blanking	M00264B002	-	2
-	Skin lower door assembly with lens	M00275A002	-	2