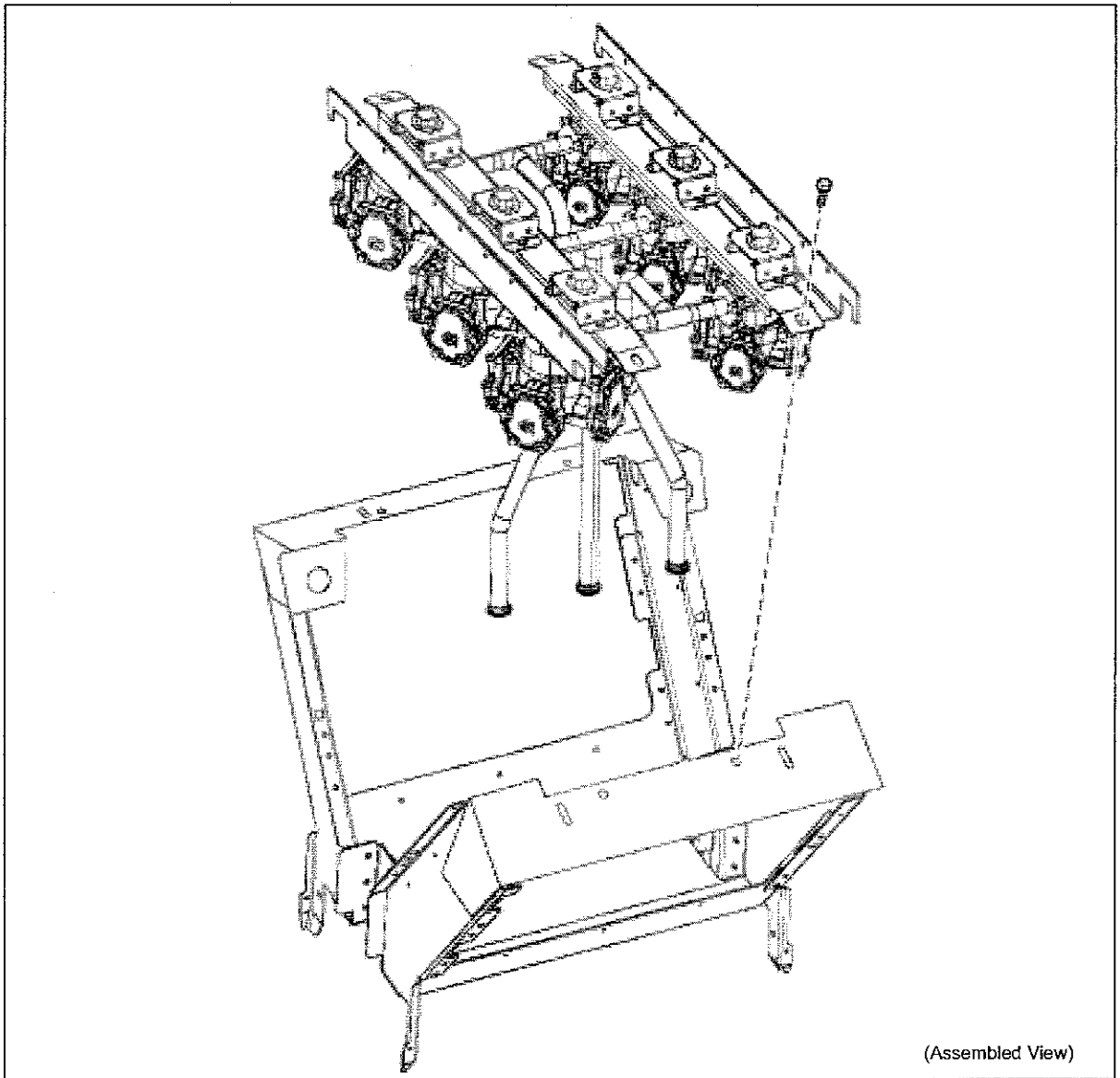


# 8 – Hydraulics Section

---

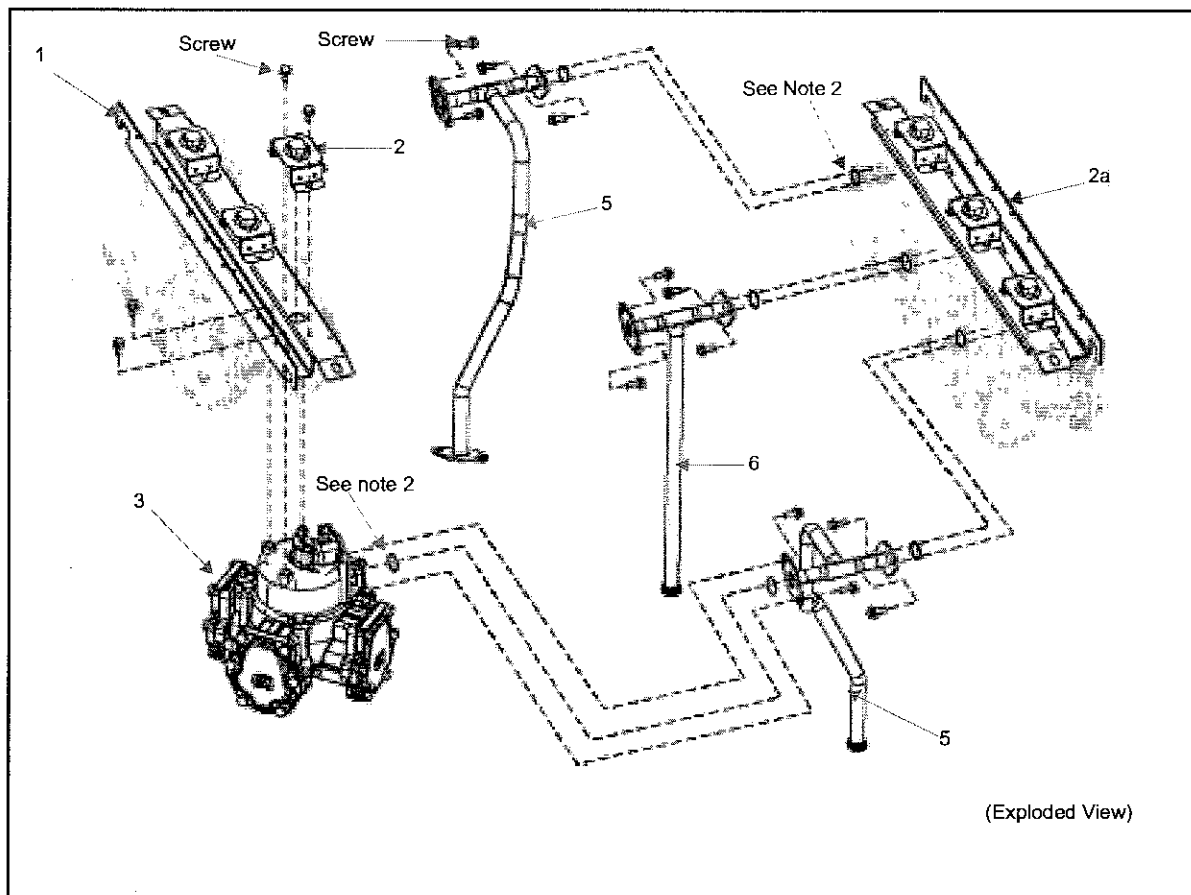
## Upper Hydraulics

### C+ Meter Rail Assembly



*Note: See page 8-2 C+ Meter Rail Assembly to see illustrated parts list.*

### C+ Meter Rail Assembly

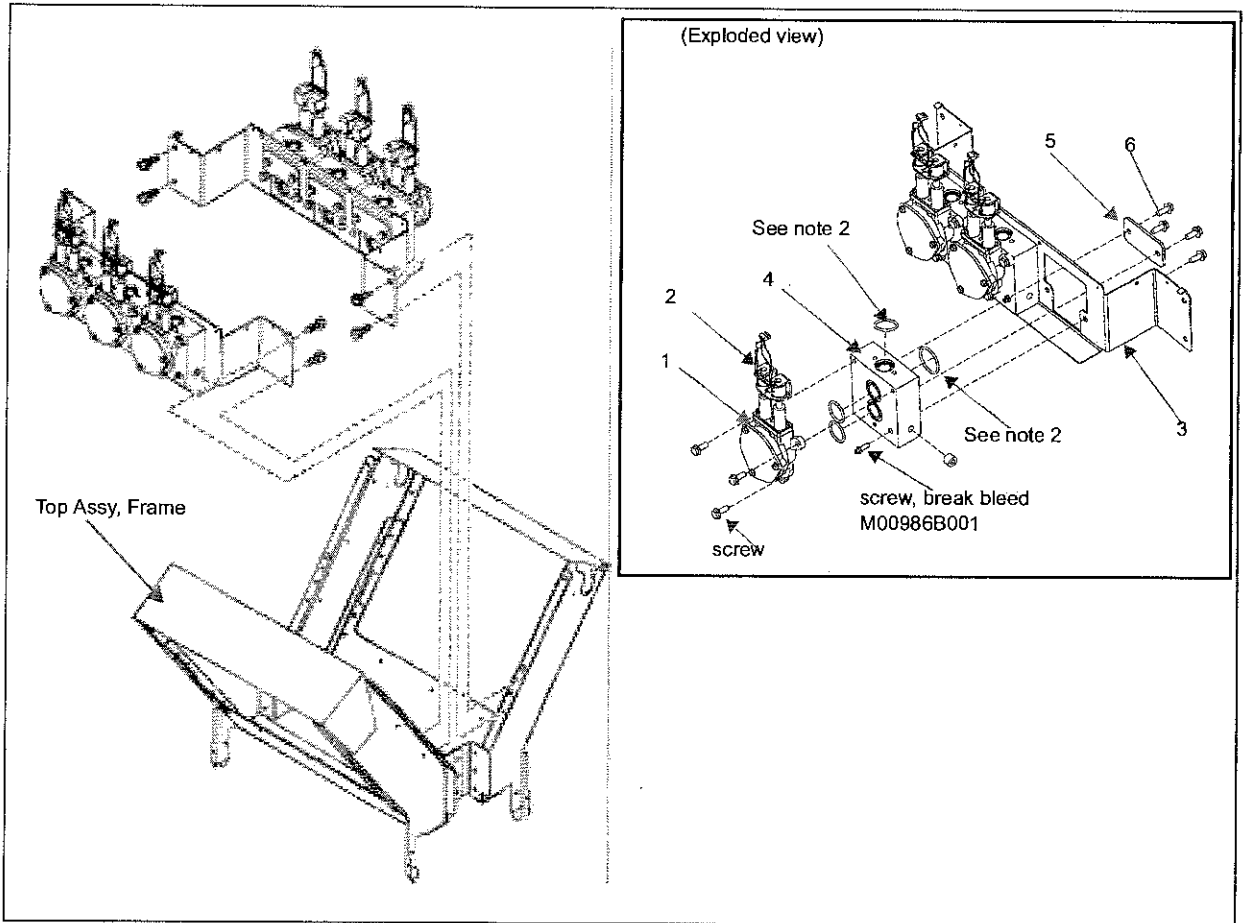


Item #	Description	Current Part	Previous Part	Quantity
1	C+ Meter Support Bracket (See Note 1)	M00905B001	-	2
2	Pulser Mounting Bracket	M00139B001	-	1 per meter
2a	<ul style="list-style-type: none"> <li>• Pulser assembly cable (See Note 1) (See Cable Section for description and details)</li> </ul>	M03239B001	M00453A001	2 pulsers per assembly
	<ul style="list-style-type: none"> <li>• Screw, metric thd</li> </ul>	-	-	2 per pulser bracket
	<ul style="list-style-type: none"> <li>• Coupling</li> </ul>	M00913B001	-	as required
	<ul style="list-style-type: none"> <li>• Pin</li> </ul>	Q10651-44	-	as required
3	C+ Meter Assembly	(See Note 2)	-	-
4	Check Valve	N23619-G2	-	1 per meter
	<ul style="list-style-type: none"> <li>• O-ring (See Note 3)</li> </ul>	-	-	(See Note 4)
5	Tube Assembly, meter inlet	M02680A001	M00947A001	2
6	Tube Assembly, meter inlet	M02679A001	M00948A001	1

**Notes:**

1. Pulser Assembly M00453A001 was replaced by M03239B001 in 3/2003. M00905B001 is no longer used.
2. Refer to Meter section in manual for current part number.
3. Refer to Kit K96621-01 for Seal, Gasket, O-ring parts.
4. Quantities may vary.

# Bracket Manifold Assembly

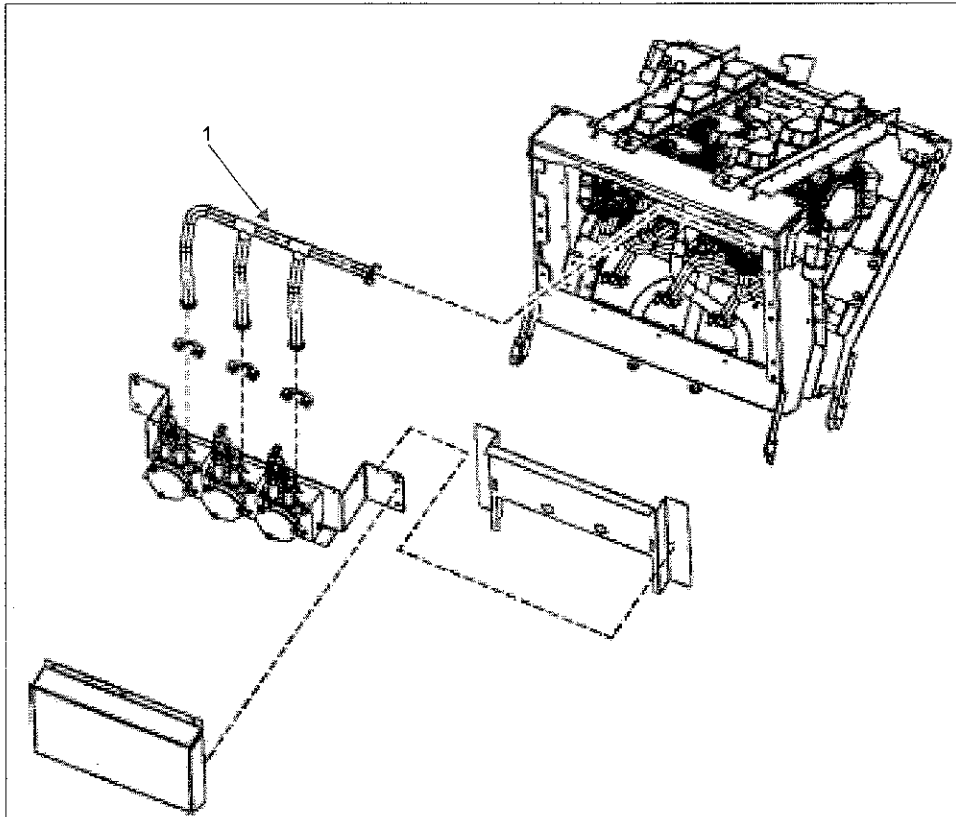


Item #	Description	Current Part	Previous Part	Quantity
1	Digital Control Valve (Replacement kit M02168K001)	M01268K001	M00246A001	A/R
	• Screw M8 x 20	-	-	3
2	Digital Valve Coil	N23785-01	-	A/R
3	Bracket Manifold Assembly	M00922A001	-	2
-	• Screw, metric M8 x 20 (See Note 1)	-	-	4 per bracket
4	Hydraulic Manifold	M00909B002	-	3
	• O-ring (See Note 2)	-	-	3 per manifold
	• Screw, Break bleed	M00986B001	-	3
5	Hydraulic Meter manifold Plate	M00250B001	-	3
6	• Screw M8 x 20 (See Note 1)	-	-	2 per plate

**Notes:**

1. Use metric hardware kit K96620 01 (includes screws, nuts, bolts) to replace fasteners.
2. Refer to kit K96621 01 to replace O-rings.

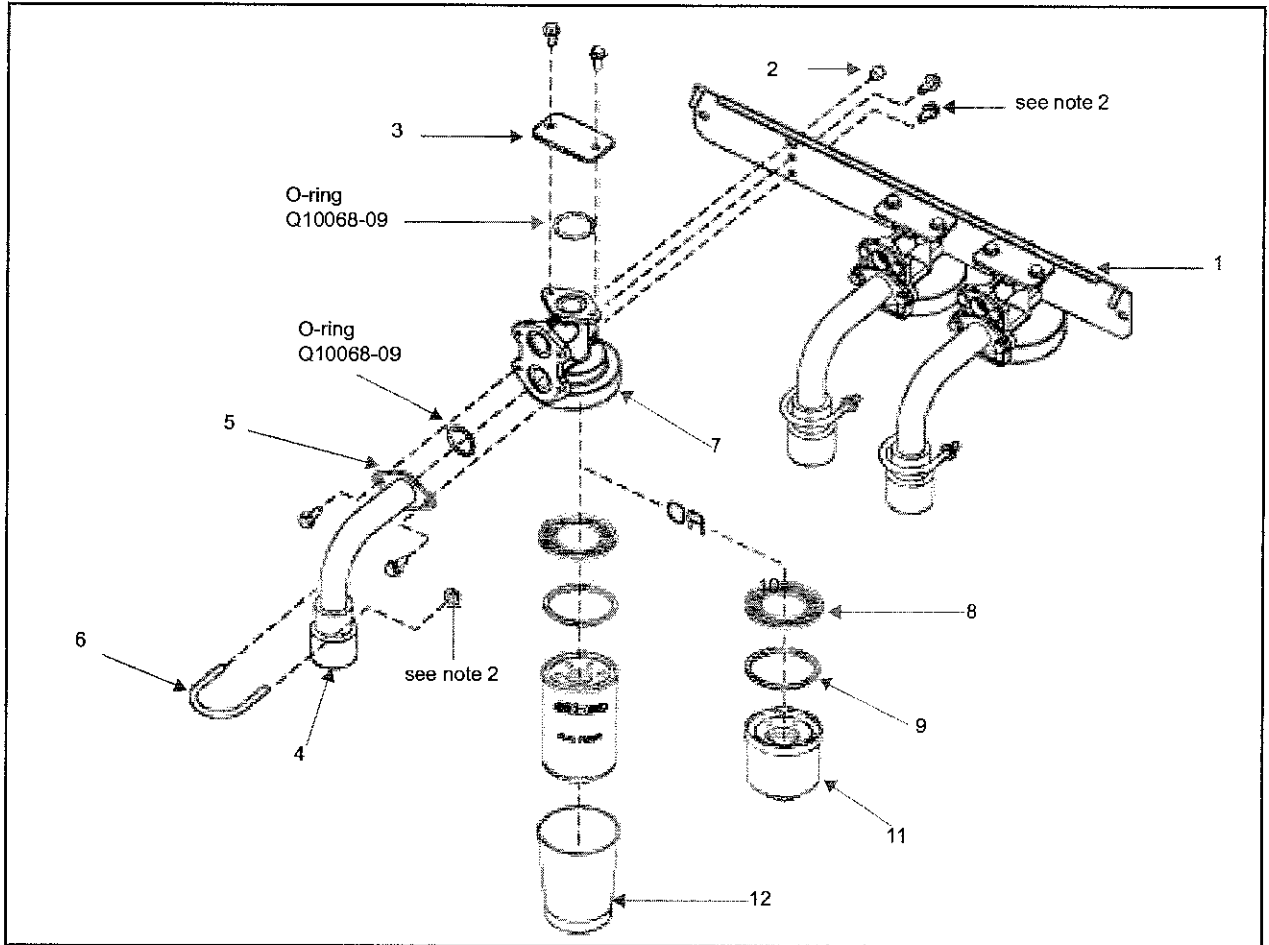
### Manifold with Discharge Tubing



Item #	Description	Current Part	Previous Part	Quantity
1	Manifold Discharge tube (three inlets) (dual sided unit)	M00944A001	-	1
<i>Not shown:</i>				
-	Manifold Discharge tube (one inlet)	M00946A001	-	1
-	Manifold Discharge tube (two inlets)	M00945A001	-	1

# Lower Hydraulics

## Filter Base



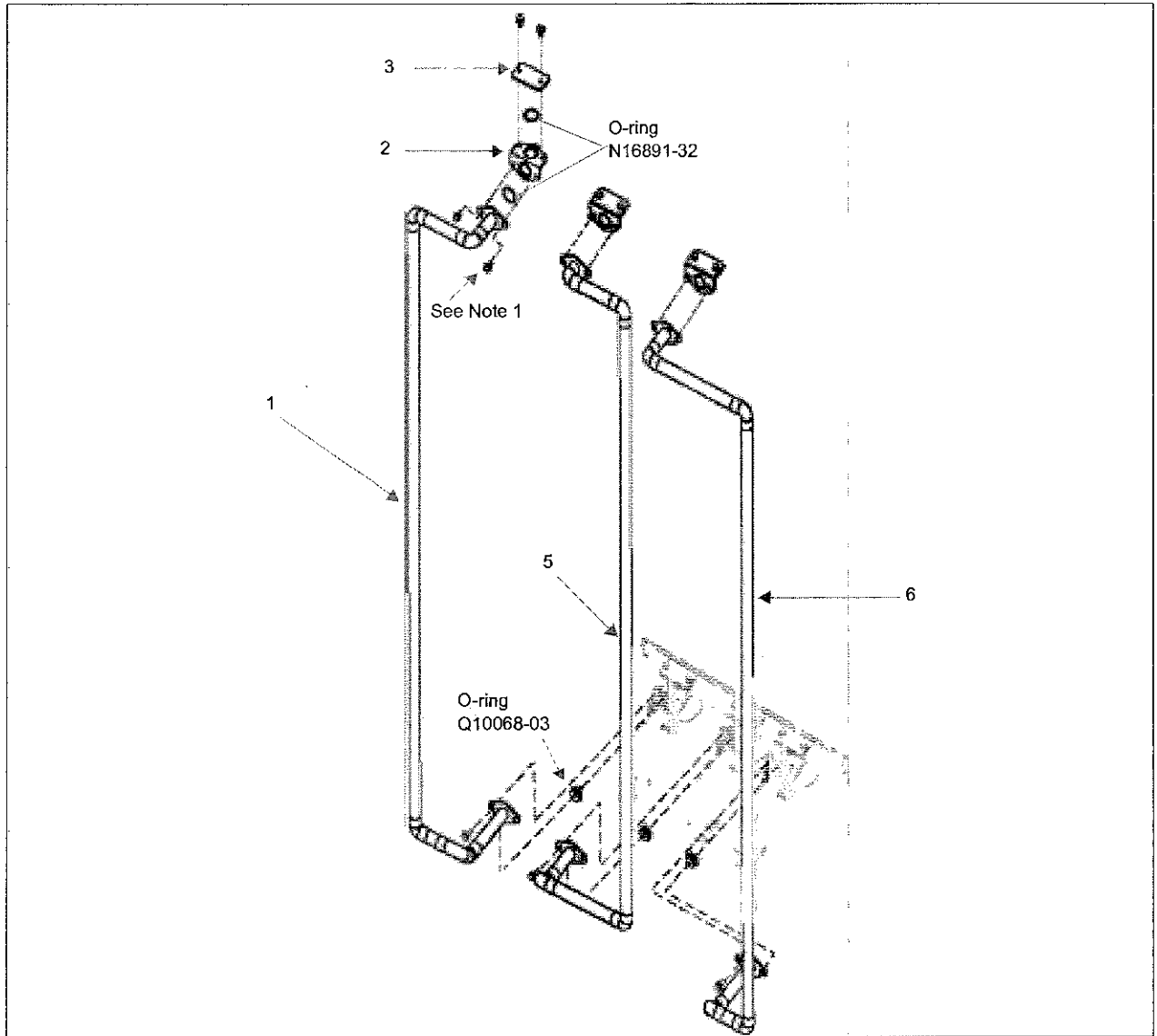
Item #	Description	Current Part	Previous Part	Quantity
1	Front bracket filter	M00171B001	-	1
	• Screw (See Note 2)	-	-	2
2	Pipe Plug	K60756	-	1
3	Filter Manifold Hydraulic plate	M00244B001	-	1
	• O-ring (See Note 3)	-	-	(See Note 1)
4	Filter pipe inlet	M00233B001	-	1
5	Parflange	N23908-01	-	1
6	U-bolt, metric	M00703B002	-	1
	• Nut, m8 (See Note 2)	-	-	2
7	Fuel Filter base	M02546B011	M00197B010	1
8	Strainer, filter (See Note 1)	R19457	-	-

Item #	Description	Current Part	Previous Part	Quantity
9	Gasket	K93485	-	1
10	Filter (See Note 1)	R20039	-	1 per manifold
11	Filter cap (optional) (See Note 1)	R18896-01	-	1 per manifold
12	Fuel collector	K34593	-	1 per manifold

**Notes:**

1. Quantity varies per assembly.
2. Use kit K96620-01 (includes screws, nuts, bolts) to replace nuts and screws.
3. Use seals and gasket kit K96621-01 (includes seal, gasket, O-rings) to replace seals.

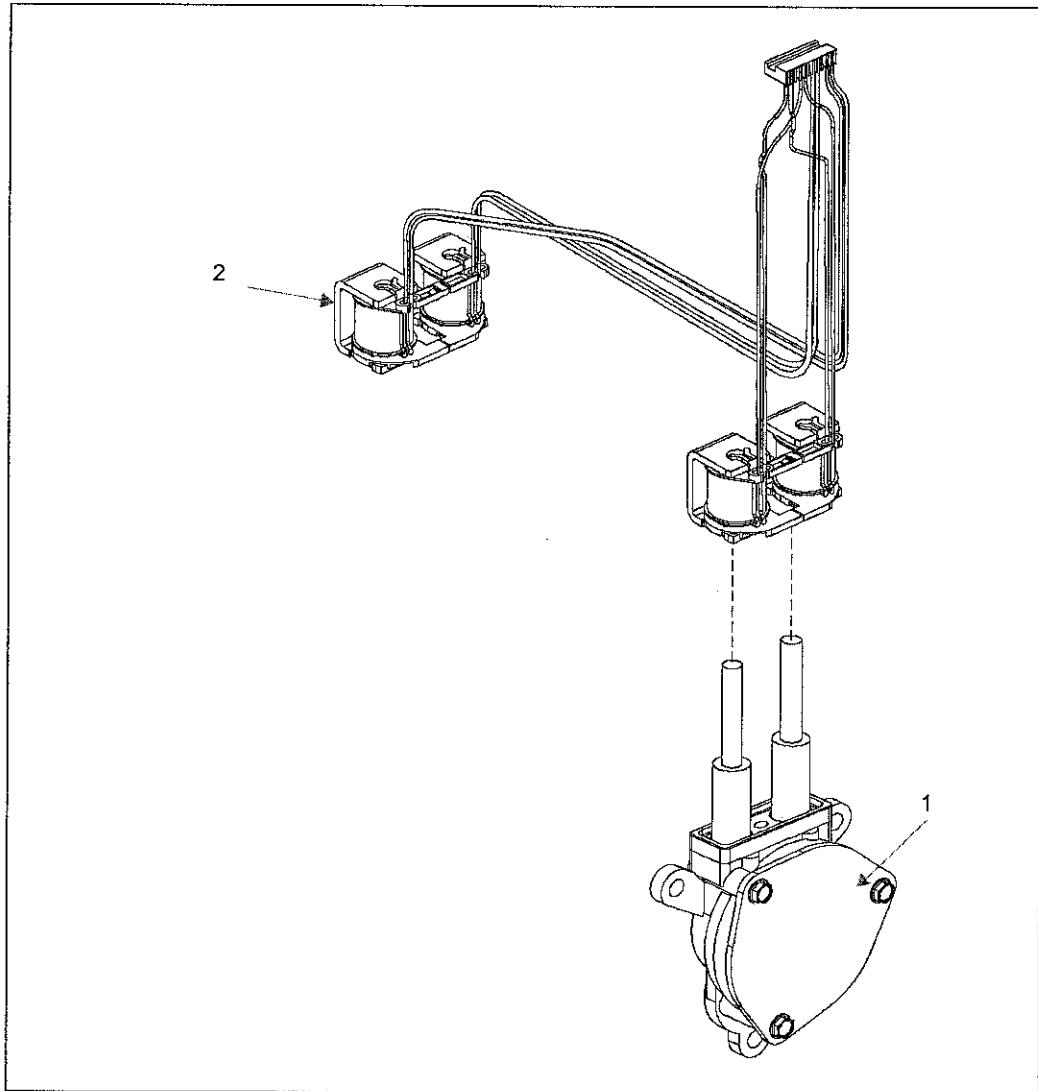
### Discharge Tubing



Item #	Description	Current Part	Previous Part	Quantity
1	Discharge tubing	M02467A001	-	1
2	Coupling tube connector	M02582B011	-	1 per tube
3	Hydraulic Filter Plate	M00244B001	-	1 per connector
-	• Screw M8 x 20 (See Note 1)	-	-	2 per clamp
4	O-ring (See Note 2)	-	-	1 per tube
5	Discharge tubing	M02469A001	-	1
6	Discharge tubing	M02468A001	-	1
<b>Notes:</b> 1. Use kit K96620-01 (includes screws, nuts, bolts) to replace nuts and screws. 2. Use seals and gasket kit K96621-01 (includes seal, gasket, O-rings) to replace seals.				

# 6 – Digital Valve and Coil Section

## Valve

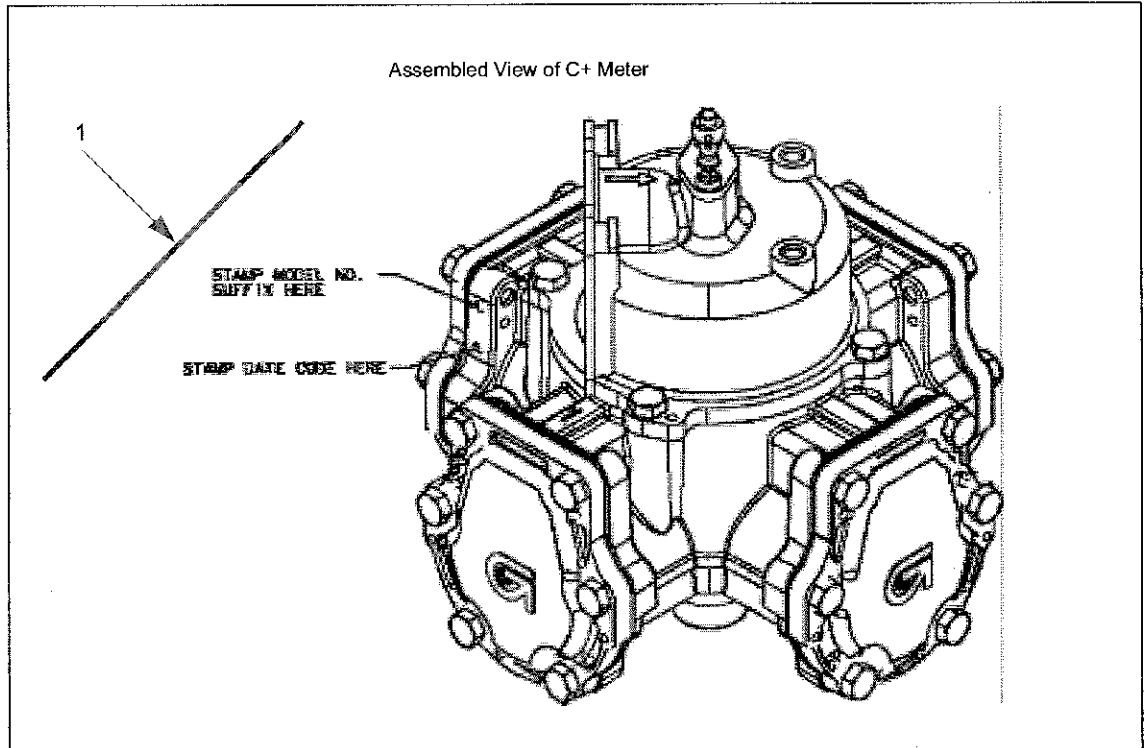


Item #	Description	Current Part	Previous Part	Quantity
1	Digital Valve Assembly (Replacement Kit)	M00246A001	M02168K001	1
2	Coil (Available as a 2 coil pair only)	N23785-01	M00678A001	1

*This page intentionally left blank.*

# 7 – Meter Section

## C+ Meter



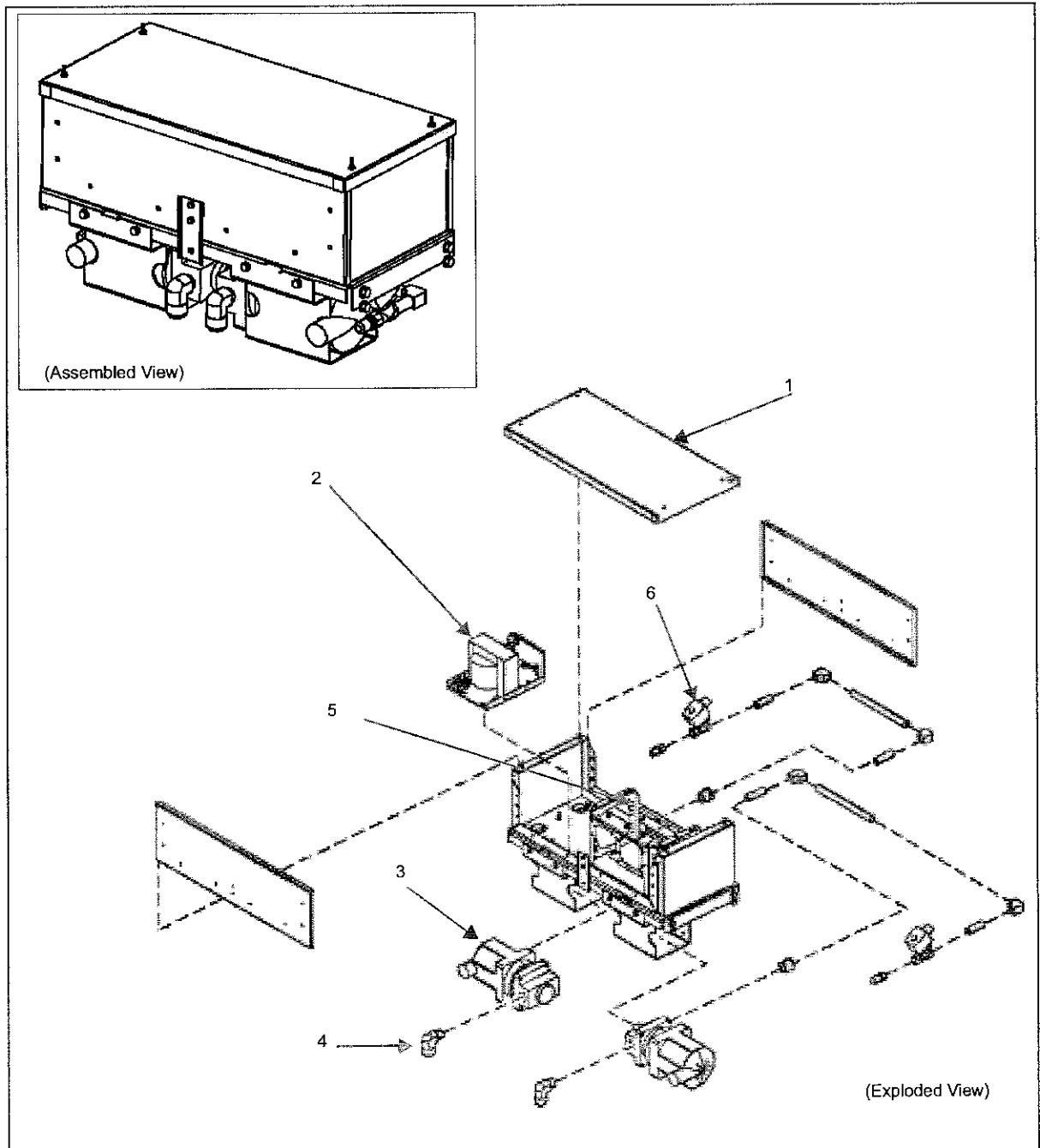
Item #	Description	Current Part	Previous Part	Quantity
1	C+ Meter Assembly	T19976-G3S	-	(See Note 1)
	• MDE-3892 C+ Meter Master Seal Service Kit Installation <i>{Reference Only}</i>	K96618	-	(See Note 2)
	• Meter Quad Ring Top Seal Replacement Kit <i>{Reference Only}</i>	K35222	-	(See Note 3)

**Notes:**

1. C+ Meter is ordered only as an assembly.
2. MDE-3892 provides information on how to install K96618 C+ Meter Master Seal Service. Kit provides materials and instructions for complete changeout of all seals as a major rebuild.
3. MDE-2188 provides information on how to install K35222 Kit. Kit contains enough top seals to service (10) meters.

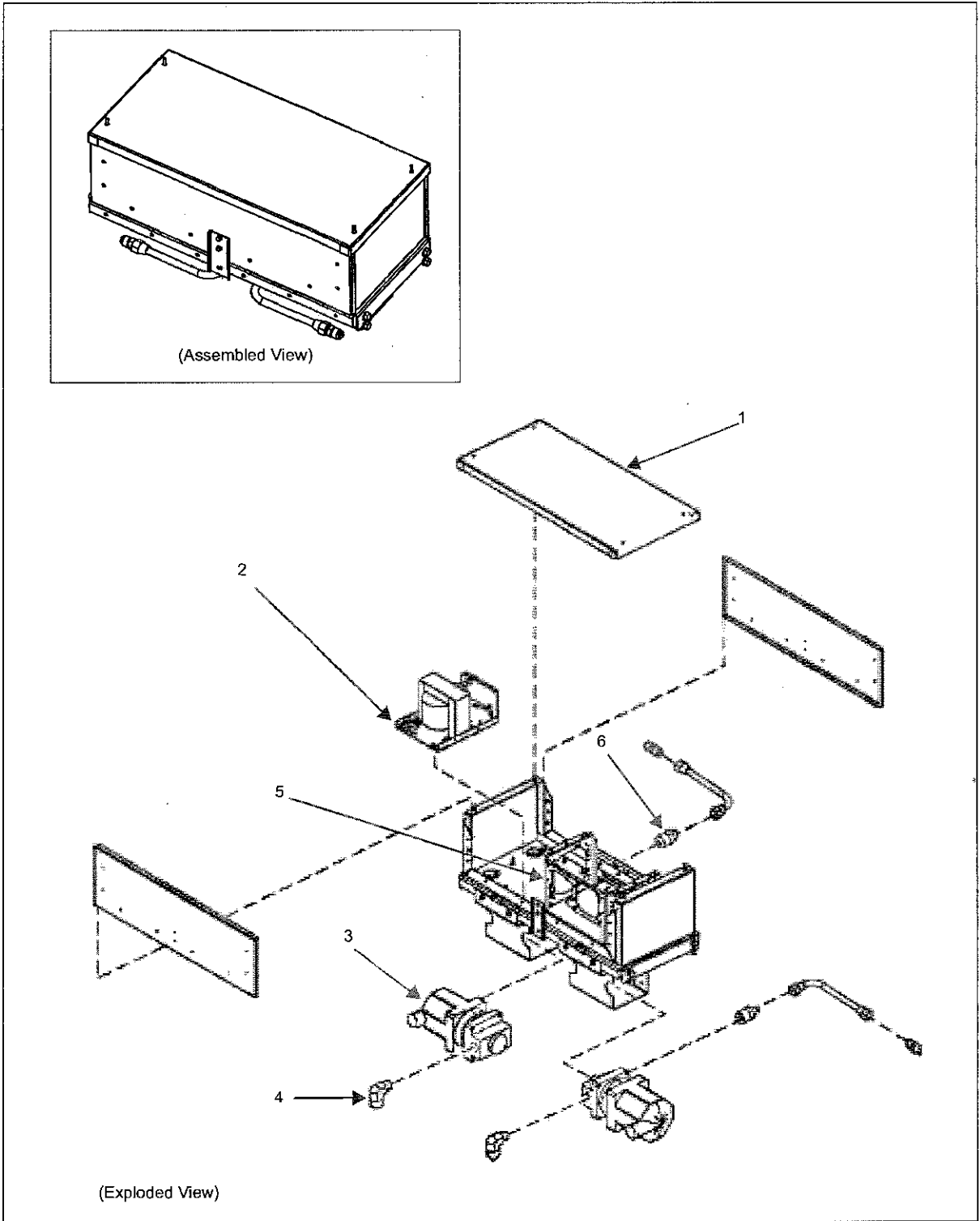
# 10 – VaporVac Section

## VaporVac Module Assembly with Vapor Valves



Item #	Description	Current Part	Previous Part	Quantity
VaporVac Module Assembly with Vapor Valves (includes items 1 thru 6)		M01062A001	-	1
1	VaporVac Box top	M00598B001	-	1
2	Power Supply Assembly	T18162-G3	-	1
3	VaporVac Pump Assembly	R19663-G1	-	1
4	Elbow 90 Flare male pipe 3/4"	K76203	-	2
5	VaporVac Card Cage Assembly	M01061A001	-	1
6	Valve solenoid - 3/8" npt	T17909	-	2
<i>Notes:</i>				
1. Refer to Cable section for list of all VaporVac cables and CD Module section for card cage and all boards.				

# VaporVac Module Assembly less Vapor Valves

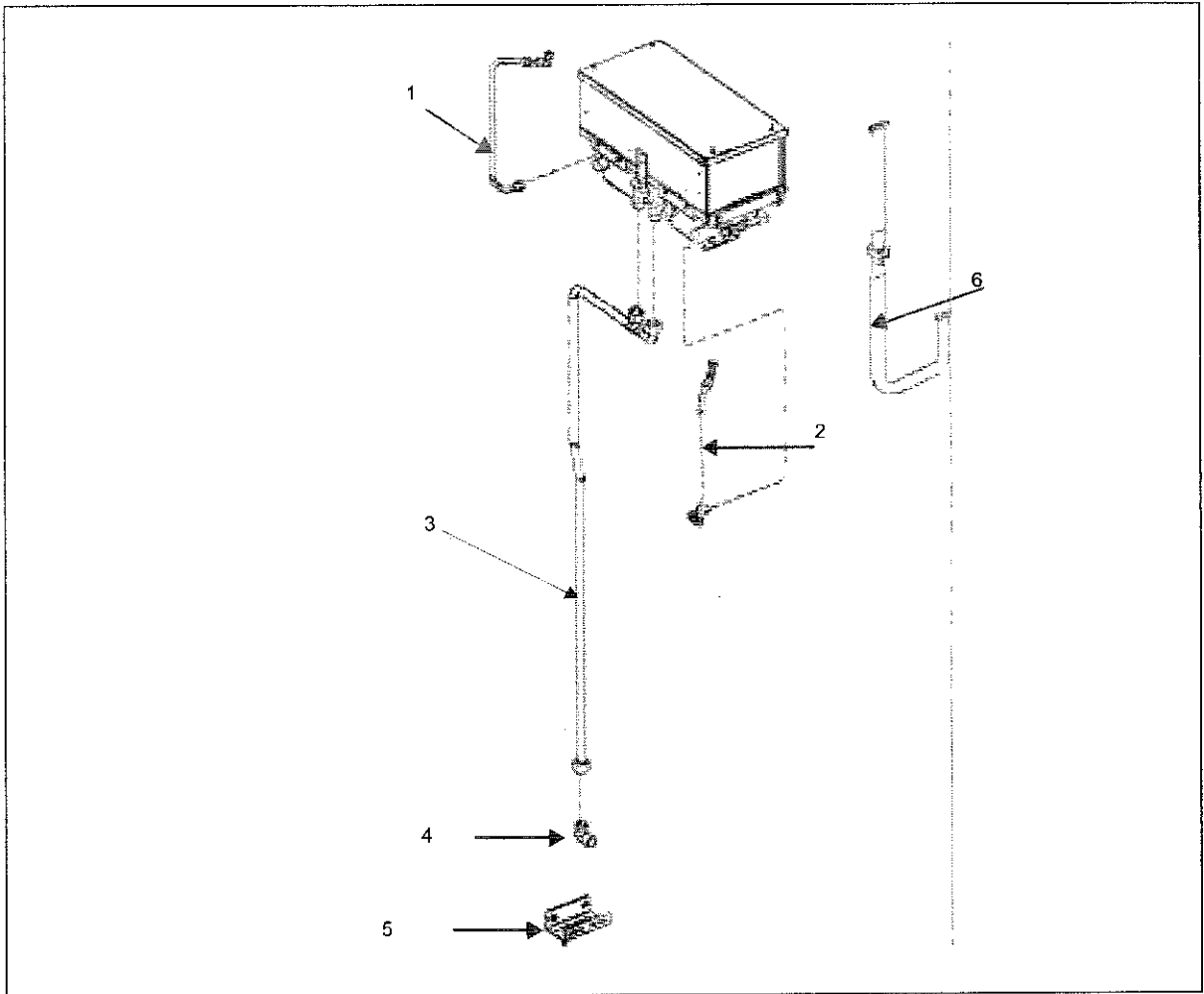


Item #	Description	Current Part	Previous Part	Quantity
	VaporVac Module Assembly less Vapor Valves (includes items 1 thru 6)	M01062A002	-	1
1	VaporVac Box top	M00598B001	-	1
2	Power Supply Assembly	T18162-G3	-	1
3	VaporVac Pump Assembly	R19663-G1	-	1
4	Elbow 90 Flare male pipe 3/4"	K76203	-	2
5	VaporVac Card Cage Assembly	M01061A002	-	1
6	Valve solenoid - 3/8" npt	T17909	-	2

**Notes:**

1. Refer to Cable section for list of all VaporVac cables and CD Module section for Card Cage and all boards.

# VaporVac Assembly with Tubes

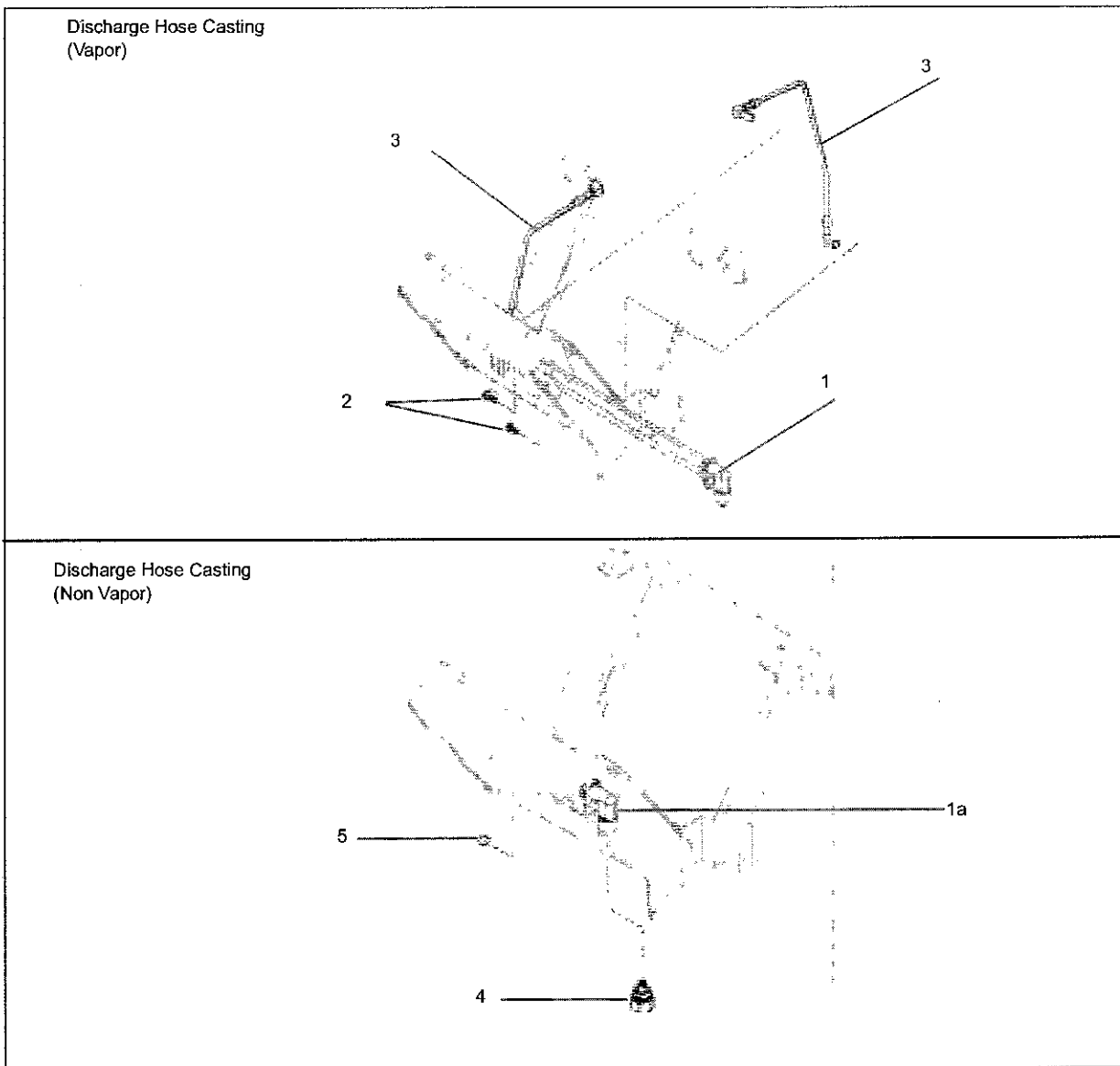


Item #	Description	Current Part	Previous Part	Quantity
1	Tube Assembly (right)	M01038B003	-	1
2	Tube Assembly (left)	M01039A002	-	1
3	VaporVac Discharge Tube Assembly	M01045B001	-	1
4	Elbow	Q10987-01	-	1
5	Bracket Assembly, Vapor	M00657A001	-	1
6	Conduit and Cable Assembly (See Note 1)	-	-	1
	• Conduit Vapor Barrier Adapter	M01053B002	-	1
	• O-ring	-	-	1
	• Washer	-	-	1
	• Nut	-	-	1

**Notes:**

1. See Cable Assembly section for item 6, Conduit and Cable Assembly part number.

# VaporVac Casting and Piping



Item #	Description	Current Part	Previous Part	Quantity
1	Discharge Hose Casting (Vapor Vac)	M00198B010	-	1
1a	Discharge Hose Casting, (Non Vapor Vac)	M00198B020	-	1
2	• Screw, m8 x 18 (See Note 1)	-	-	3 per casting
3	Piping	M01038A002	-	2

**Notes:**

1. Use metric hardware kit K96620 01 (includes screws, nuts, bolts) to replace fasteners.
2. All Eclipse units are shipped with VaporVac Ready outlet castings. If an outlet casting needs to be made into a non-vapor outlet casting, use item 4, M00898A001 Adapter to convert it.