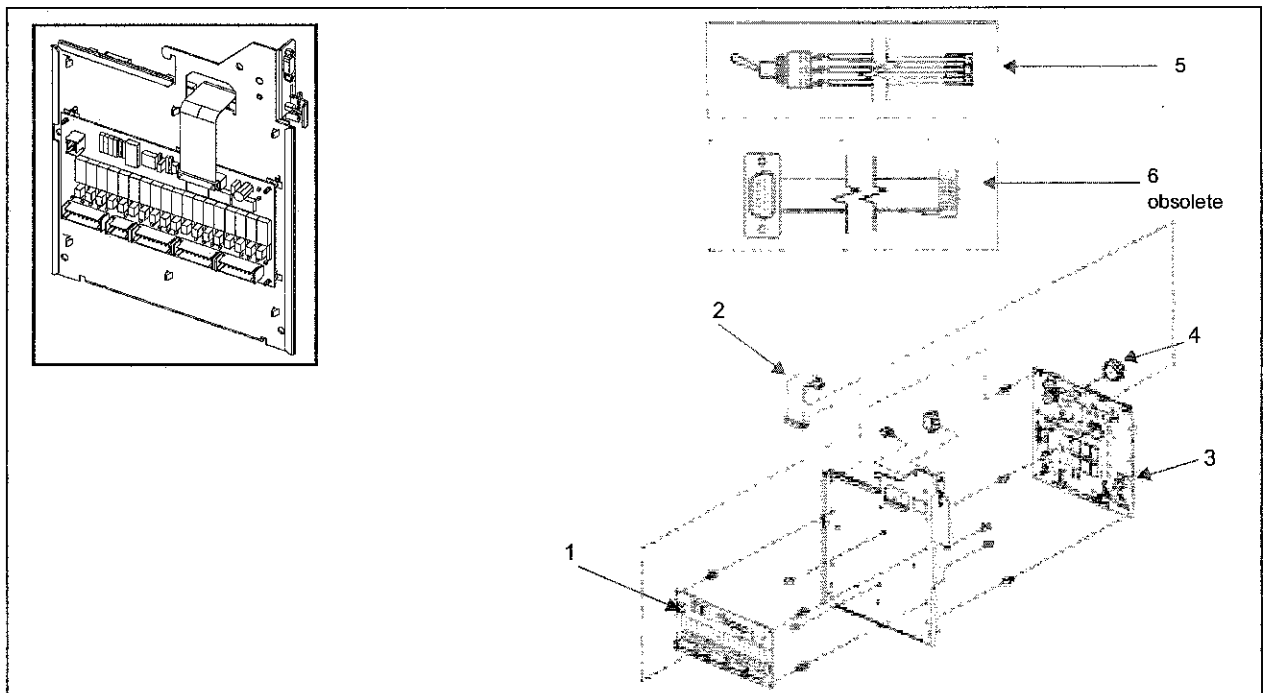


3 – CD Module Electronics Section

Base Electronics Assembly (M00459A005)

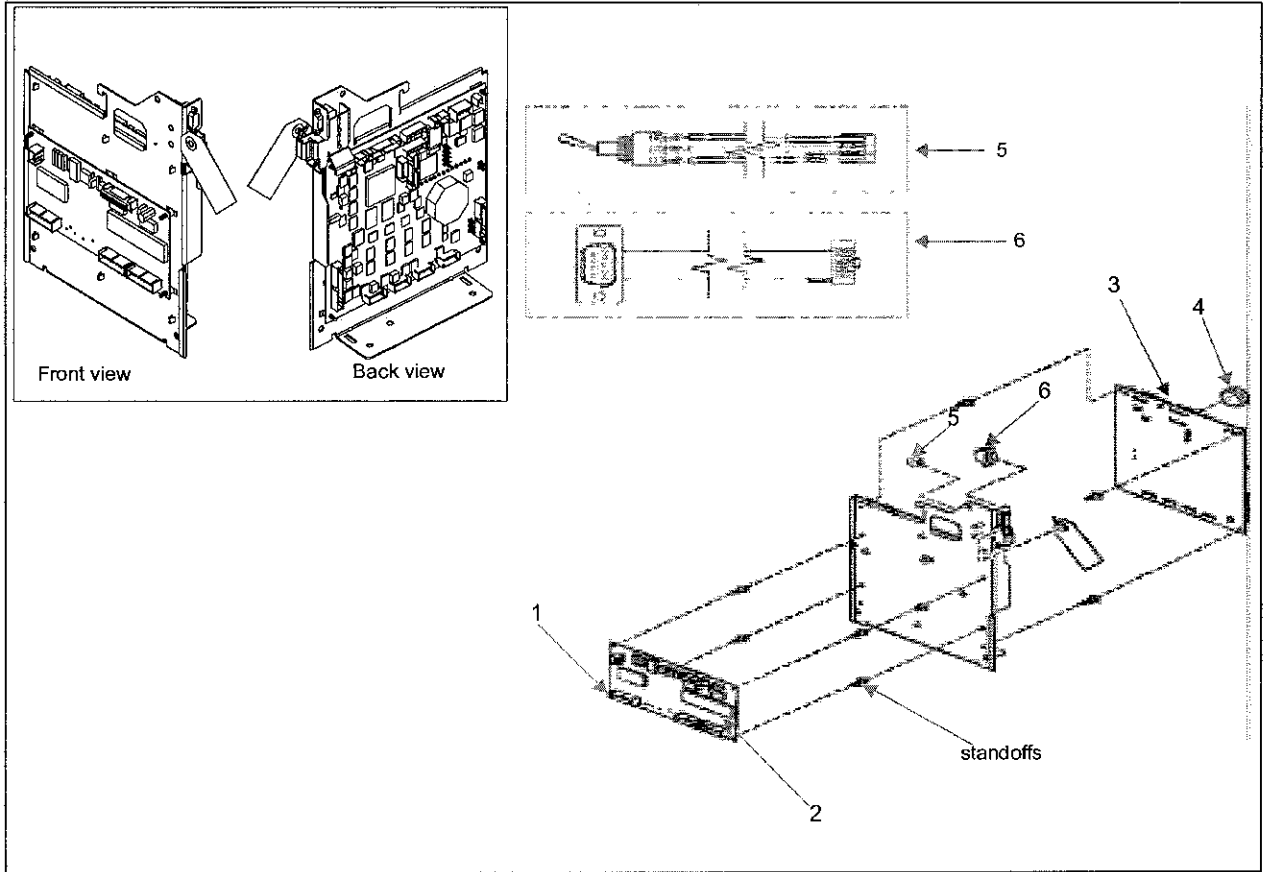
(Units built before 10/20/02)



Item #	Description	Current Part	Previous Part	Quantity
Base Electronics Assembly (Reference only)		M00459A005	M00459A001	1
1	PCA valve board 18 coils	M00059A001 or M00059A002	-	1
	• plastic PCB standoff	-	-	4
	• plastic PCB spacer	-	-	2
2	Cable ribbon 26 position	M00549A001	-	1
3	PCA pump control node	M00056A001	-	1
	• Plastic PCB standoff	-	-	4
	• Plastic PCB spacer	-	-	4
4	Battery, Lithium/Non-Chg.	Q12674-01	-	1
5	Cable, E-CAL switch (See Note 1)	M00150A001	M00150A002	1
6	Cable, serial programming port (Obsolete as of 1/10/03)	-	M00719A002	1
Notes:				
1. Items 5 and 6 are remotely located on Security barrier.				

Base Electronics Assembly (M02278A001)

(Units built after 10/20/02)



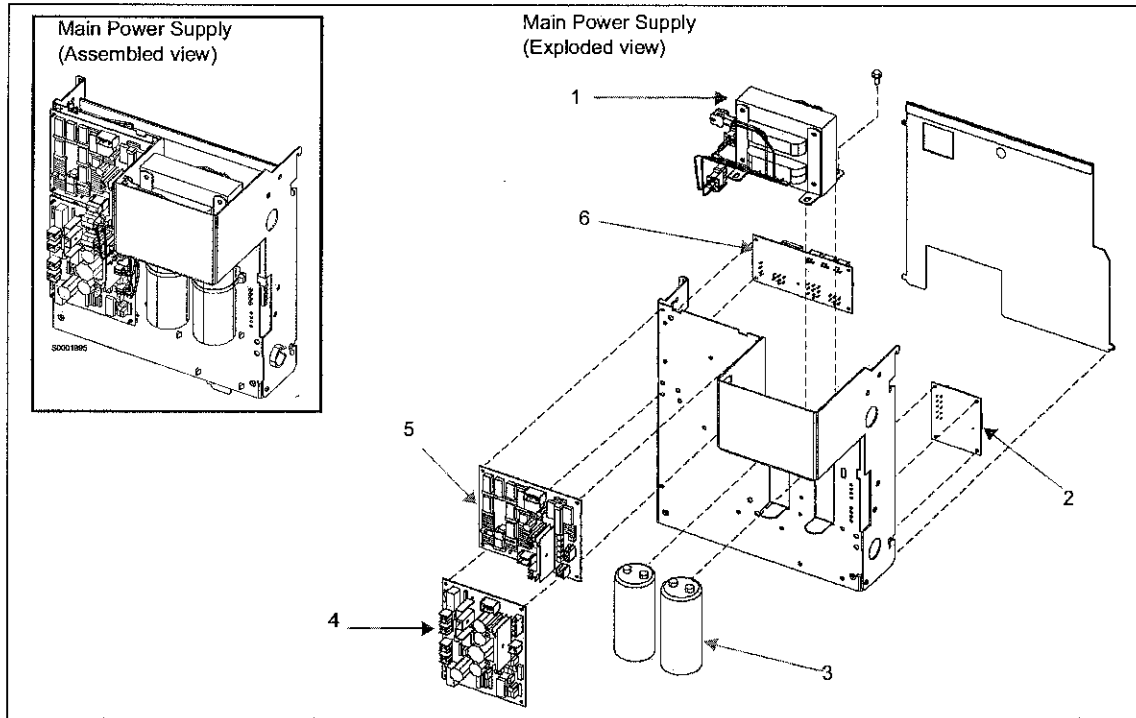
Item #	Description	Current Part	Previous Part	Quantity
Base Electronics Assembly (Reference only)		M02278A001	-	1
1	PCA (Printed Circuit Assembly) valve board 18 coils (See Note 1)	M00059A001	-	1
	• plastic PCB standoff, 1/4-inch	-	-	4
	• plastic PCB spacer, 1/4-inch	-	-	2
2	Cable Ribbon 26 Position (See Note 2)	-	-	1
3	PCA Pump Control Node 2	M01922A001	-	1
	• plastic PCB standoff, 1/4-inch	-	-	4
	• plastic PCB spacer, 1/4-inch	-	-	4
4	Battery, Lithium/Non-Chg.	Q12674-01	-	1
5	E-Cal Cable Switch (See Note 1)	M00150A001	-	1
6	Cable Serial Programming (See Note 2)	-	-	1

Notes:

1. A 12 coil version of this board exists but only the 18 coil version shown will be spared. This 18 coil board is interchangeable with the 12 coil board.
2. Refer to Cable Assemblies section for additional information.

Main Power Supply Assembly (M00458A002)

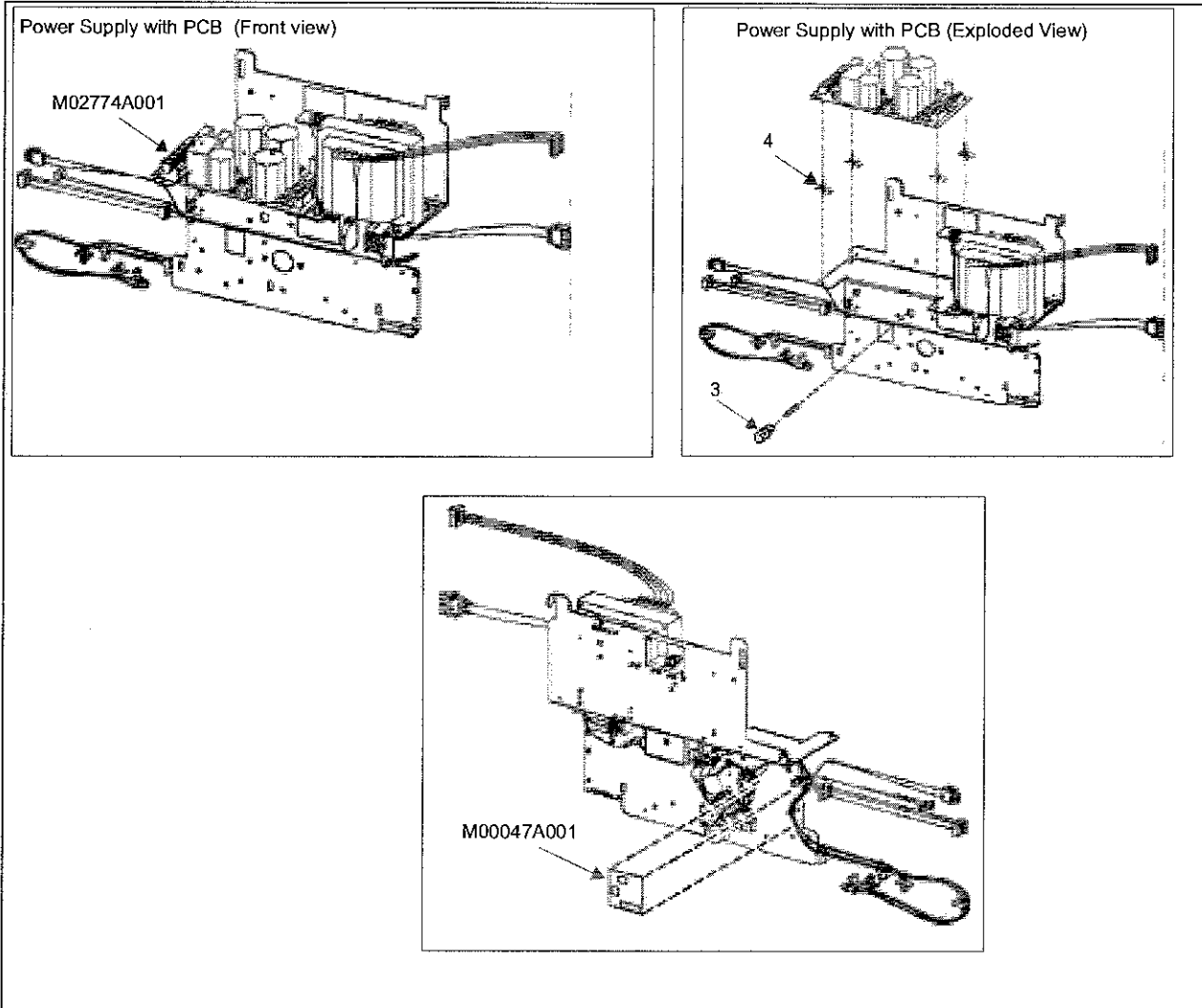
(Units built before 5/1/03)



Item #	Description	Current Part	Previous Part	Quantity
Main Power Supply Assembly (includes items 1 thru 6)		M00458A002	M00458A001	1
1	Transformer, main power supply	M00151A002	M00151A001	1
	Screw, metric thread M5 x 10	-	-	4
2	PCA STP board	M00047A001	-	1
	Plastic PCB standoff	-	-	4
3	Capacitor 47000 UF	Q10271-35	-	2
	Cable tie	Q10178-05	-	2
4	PCA, 24v power supply board	M00053A002	-	1
	Plastic PCB standoff	-	-	4
5	PCA, 18v power supply board	M00050A001	-	1
	Plastic PCB standoff	Q10651-02	-	4
6	PCA, terminal block board	M00044A001	-	1
Not Shown	Cable, Voltage Prog. Plugin 115V	M00488A115	-	1
	Cable, Voltage Prog. Plugin 220V	M00488A220	-	1
	Cable, Voltage Prog. Plugin 230V	M00488A230	-	1
	Cable, Voltage Prog. Plugin 240V	M00488A240	-	1
	Plastic PCB spacer	-	-	1

Main Power Supply Assembly (M02274A001)

(Units built after 5/1/03)



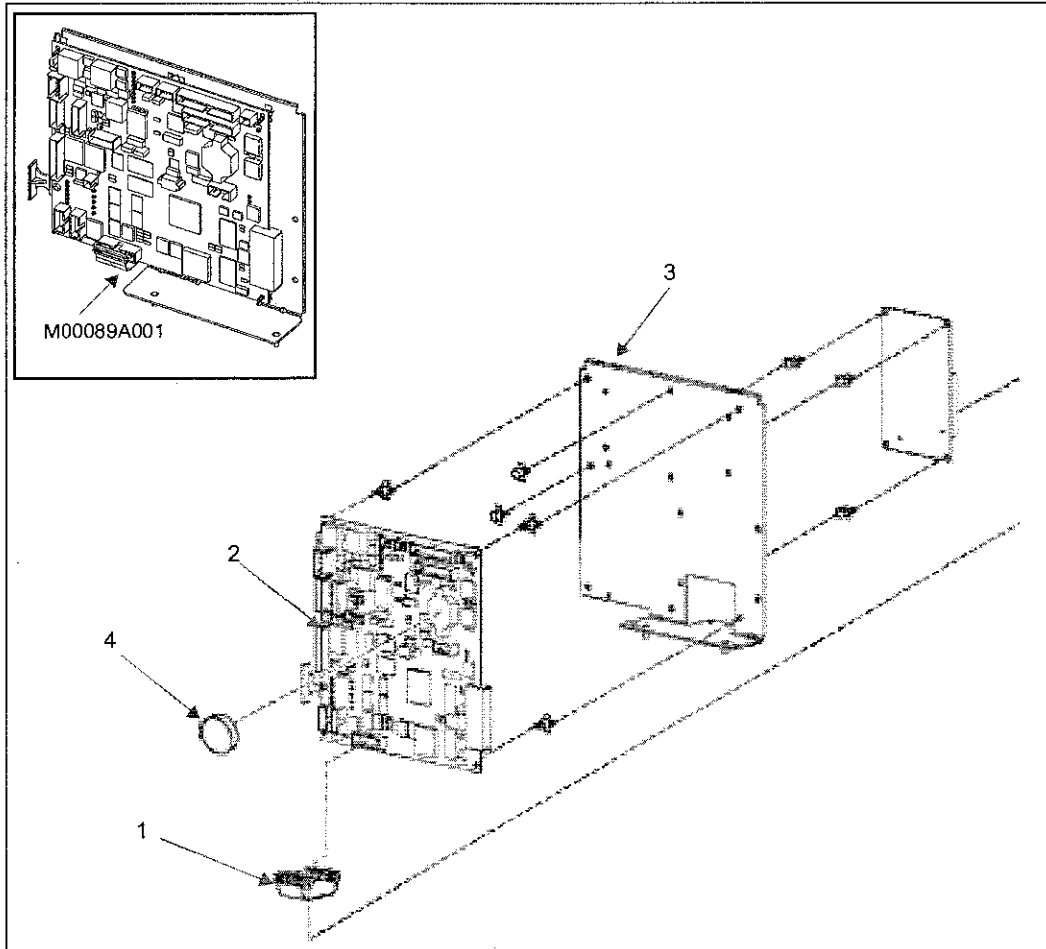
Item #	Description	Current Part	Previous Part	Quantity
	Main Power Supply assembly (See Note 1)	M02274A001	-	1
1	Power Supply PCB (Printed Circuit Board) (See Notes 2 & 3)	M02774A001	-	1
2	PCA (Printed Circuit Assembly) STP (See Notes 2 & 3)	M00047A001	-	1
3	Fuse, 5 AMP, 250V	Q10131-04	-	1
4	• plastic PCB standoff, 1/4-inch	-	-	As required

Notes:

1. This assembly will go into effect on 5/1/03. This assembly will take the place of Main Power Supply M00458 series.
2. Until 8/29/02 Pump uses Power Supply without STP board M00047A001. Dispenser uses Power Supply without M02774A001 board.
3. After 8/29/02 Pump uses Power Supply with M02774A001 board. Dispenser uses Power Supply with STP board M00047A001 and M02774A001 board.

Monochrome CRIND® Assembly (M00610A001)

(Units built before 10/1/02)



Item #	Description	Current Part	Previous Part	Quantity
Monochrome CRIND® Assembly (Reference Only)		M00610A001	-	1
1	Cable Ribbon 20 Position (See Note 1)	-	-	1
2	PCA CRIND Control Node (See Note 2)	M00089A002	M00089A001	1
	• plastic PCB standoff, 1/4"	-	-	4
3	PCA Monochrome Interface	M00092A001	-	1
	• plastic PCB standoff, 1/4"	-	-	4
4	Battery, Lithium/Non-Chg.	Q12674-01	-	1

Notes:

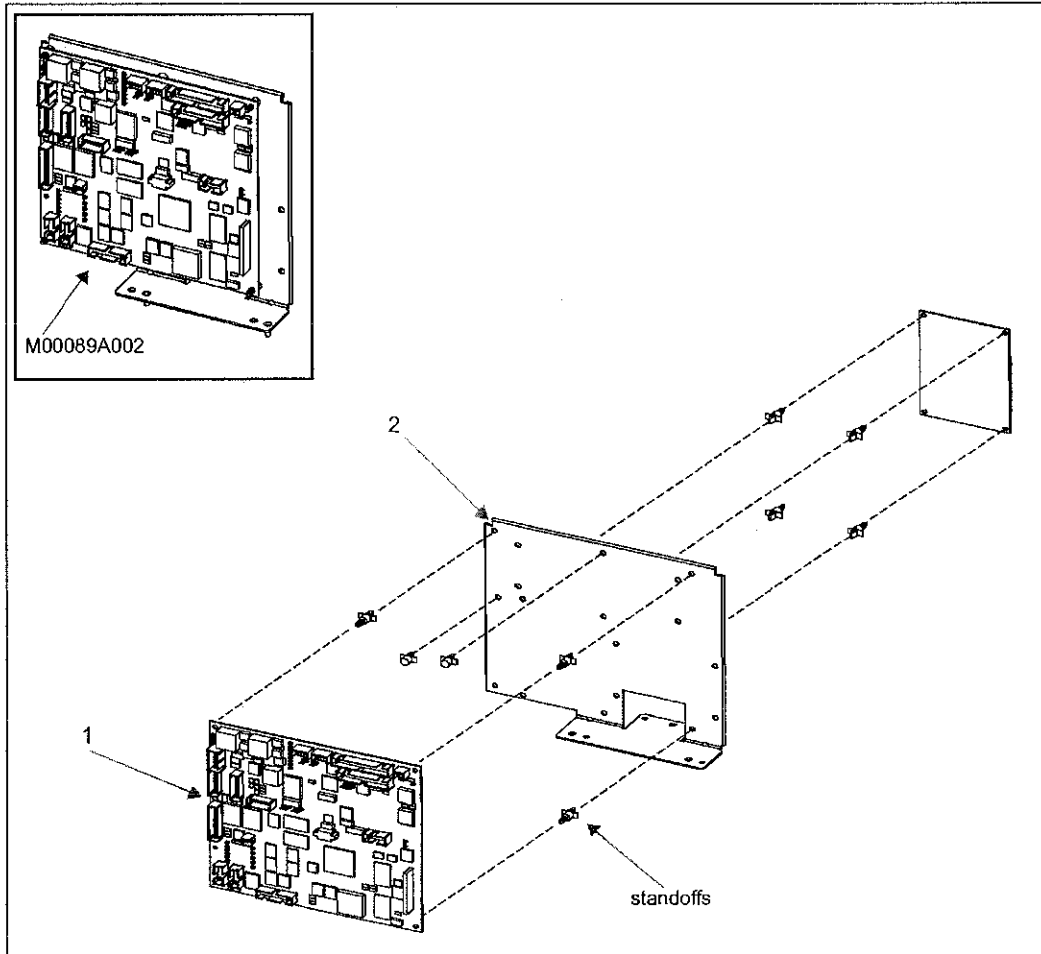
1. Refer to Cable Assemblies section for additional information.

2. PCA CRIND control M00089A002 is compatible to PCA CRIND control M00089A001. If available warranty should use M00089A001R instead of the new M00089A002.

If PCA CRIND Control Node PCA fails, replace with M01753A001 and disconnect item 4, M00092A001. Use appropriate size standoffs when ready to install PCA M00092A001.

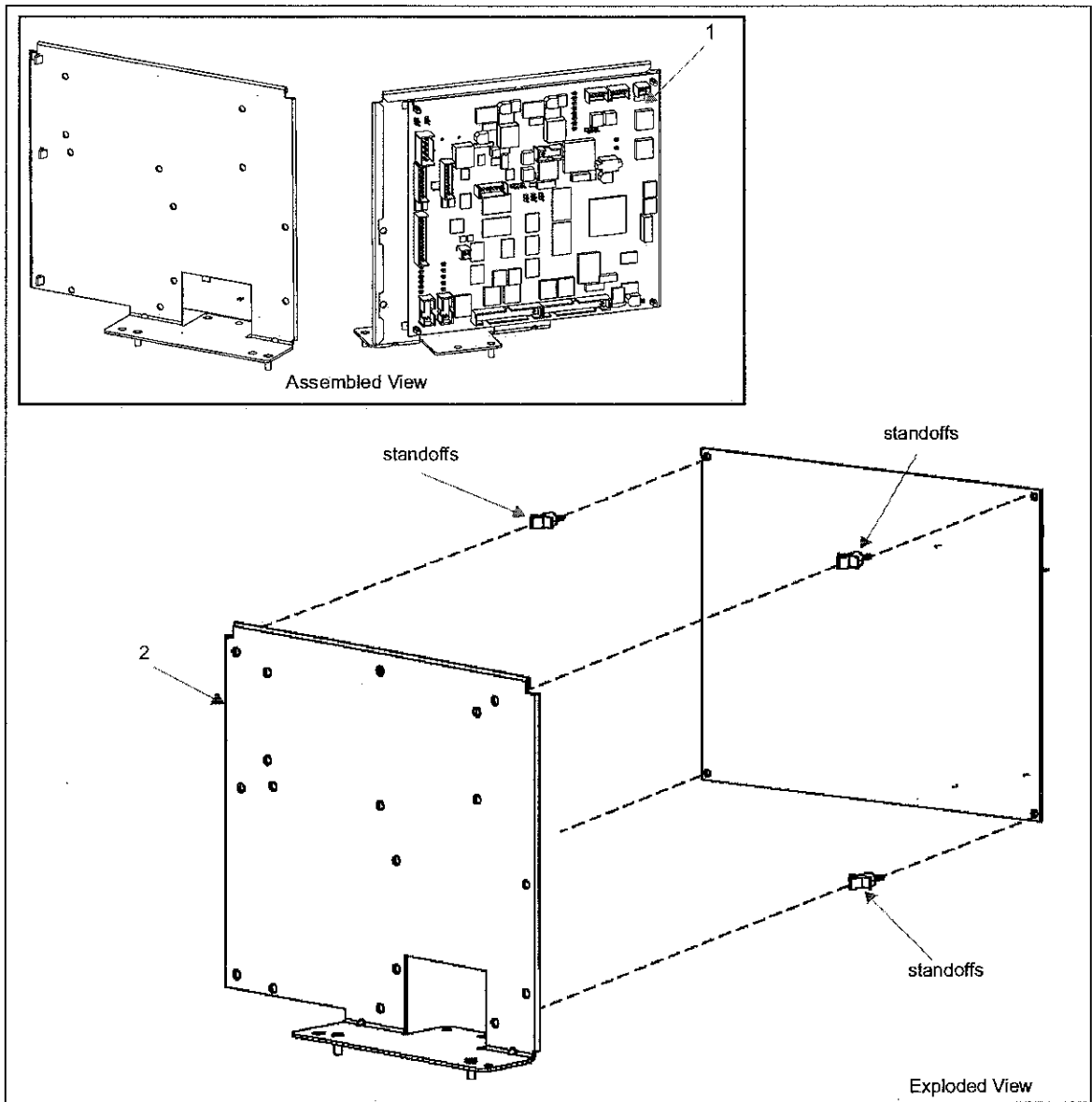
Monochrome CRIND® Assembly (M00610A001)

(Units built after 10/1/02) (Replaced by M02276A001)



Item #	Description	Current Part	Previous Part	Quantity
Monochrome CRIND® Assembly (Reference Only)		M00610A001	-	1
1	PCA CRIND Control Node (See Note 1)	M00089A002	M00089A001	1
	• plastic PCB standoff, 1/4"	-	-	4
2	PCA Monochrome Interface	M00092A001	-	1
	• plastic PCB standoff, 1/4"	-	-	4
Not shown:				
-	Monochrome Interface Cable (See Note 2)	-	-	1
-	Battery, Lithium/Non-Chg.	Q12674-01	-	1
<p>Notes:</p> <p>1. PCA CRIND control M00089A002 is compatible to PCA CRIND control M00089A001. If available warranty should use M00089A001R instead of the new M00089A002.</p> <p>If PCA CRIND Control Node PCA fails, replace with M01753A001 and disconnect item 2, M00092A001. Use appropriate size standoffs when ready to install PCA M00092A001.</p> <p>2. Refer to Cable Assemblies section for additional information.</p>				

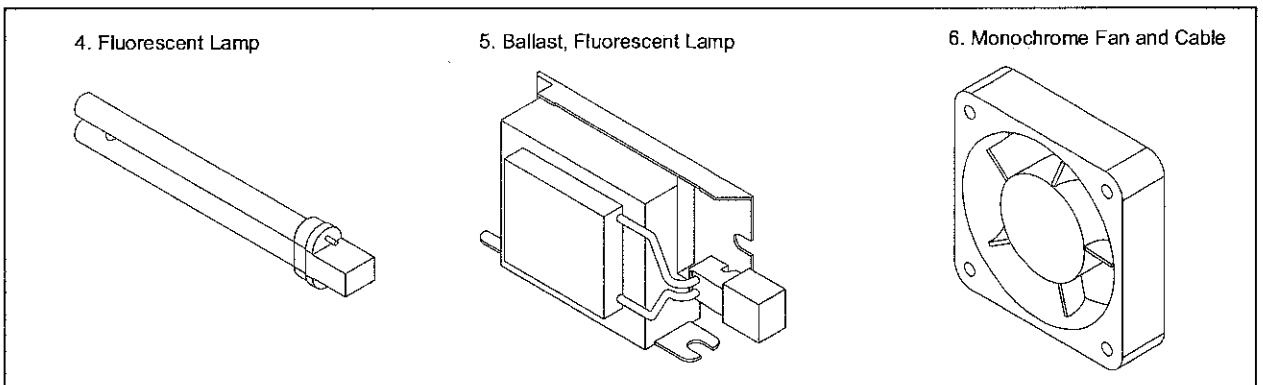
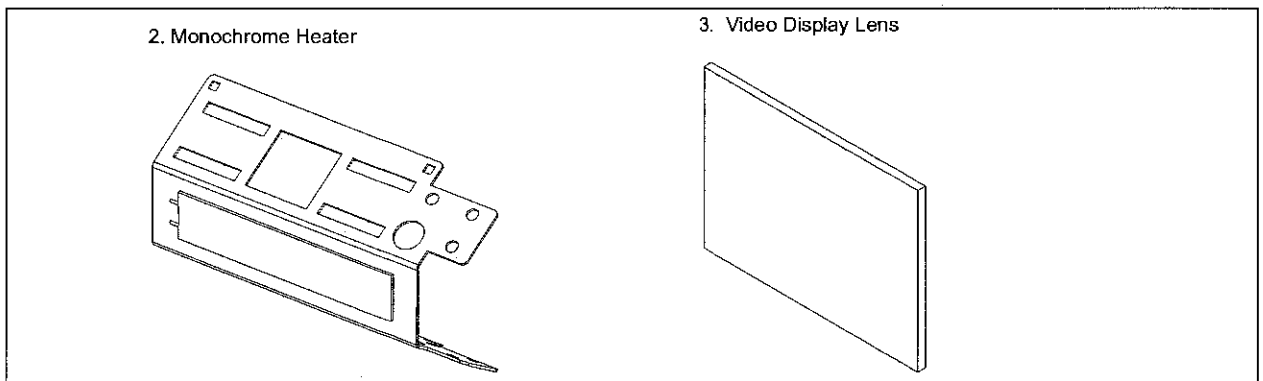
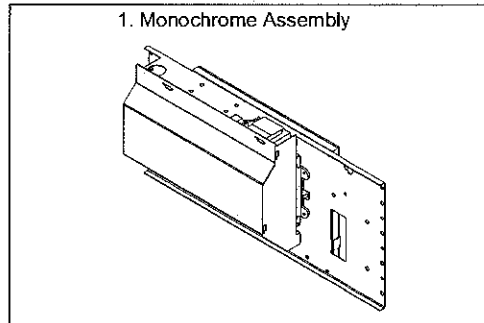
Monochrome CRIND® Assembly (M02276A001)



Item #	Description	Current Part	Previous Part	Quantity
Monochrome CRIND® Assembly (Reference Only)		M02276A001	M00610A001	1
1	PCA CRIND Control Node 2 (See Note 2)	M01753A001	-	1
	• plastic PCB standoff, 1/4"	-	-	2
2	PCB Mounting Bracket	M00291A001	-	1
	• plastic PCB standoff, 1/4"	-	-	4
Not Shown:				
3	Battery, Lithium/Non-Chg. (not shown)	Q12674-01	-	1

4 – Door Module Electronics Section

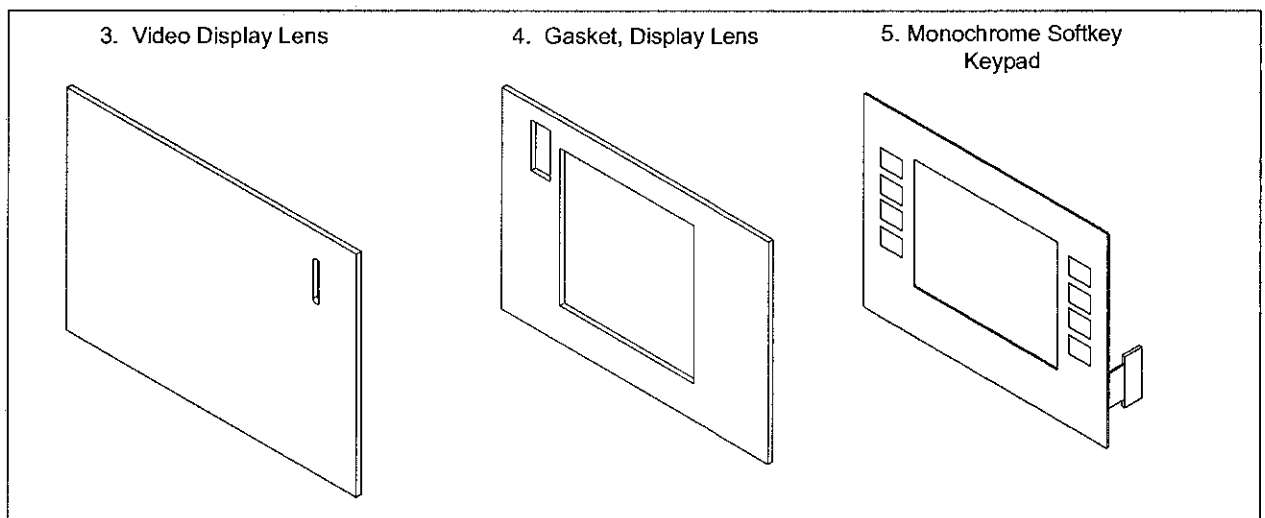
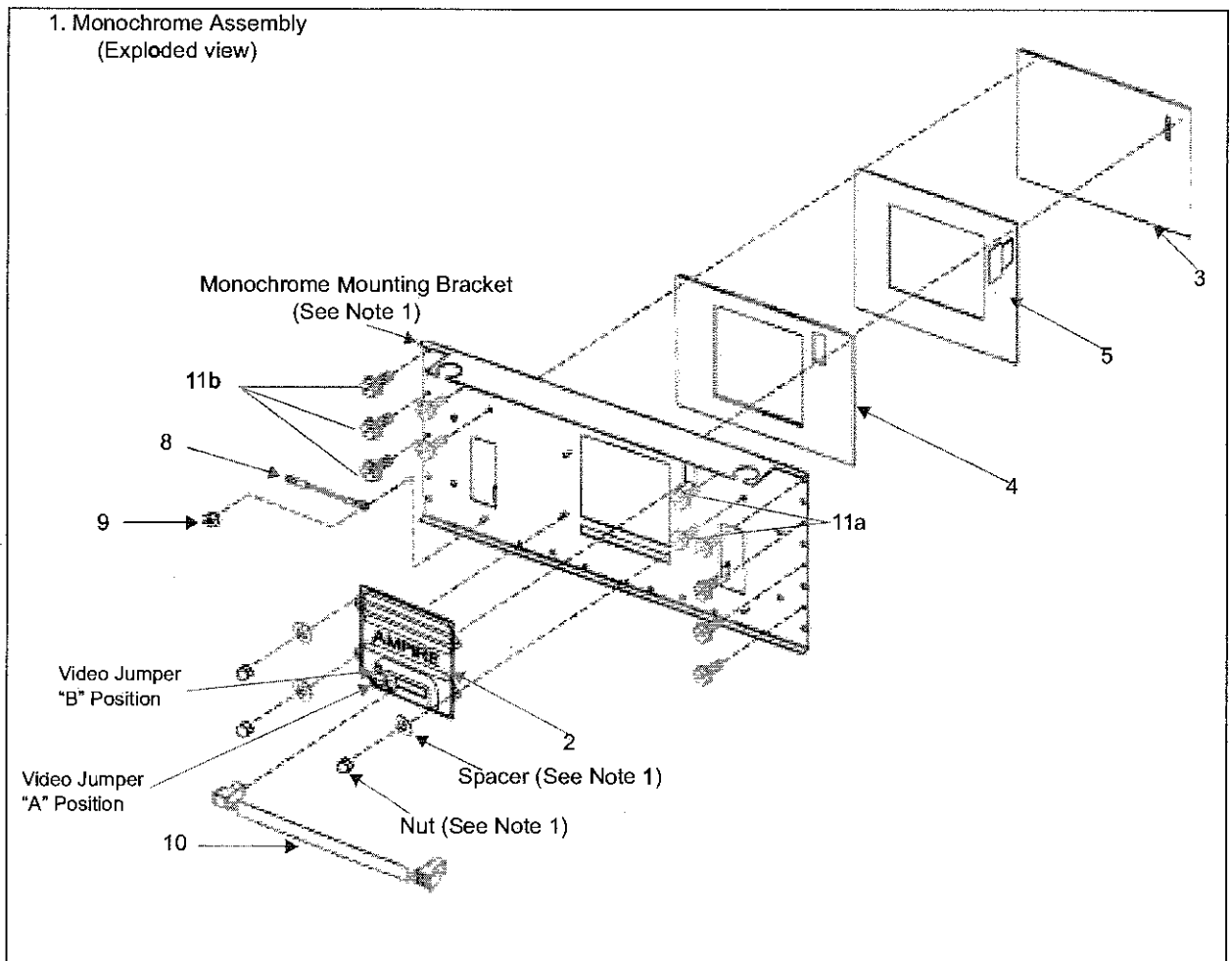
CRIND® Monochrome Assembly (M01100A001)

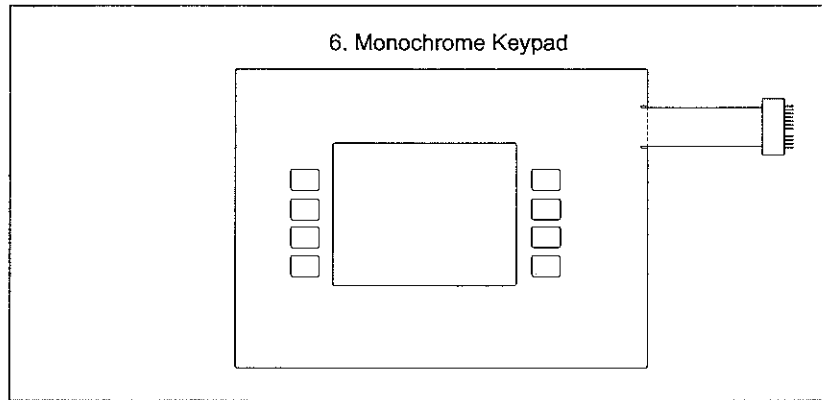


Item #	Description	Current Part	Previous Part	Quantity
1	Monochrome Assembly	M01110A001	-	1
2	Monochrome Heater Bracket Assembly	M01083A001	-	1
3	Video Display Lens	M00683B001	-	1

Item #	Description	Current Part	Previous Part	Quantity
4	Fluorescent Lamp, 13 watt	Q12929-02	-	1
5	Ballast, Fluorescent Lamp	Q13164-07	-	1
6	Monochrome Fan and Cable	M00822B002	-	1

CRIND® Monochrome Display Assembly (M01653A001)



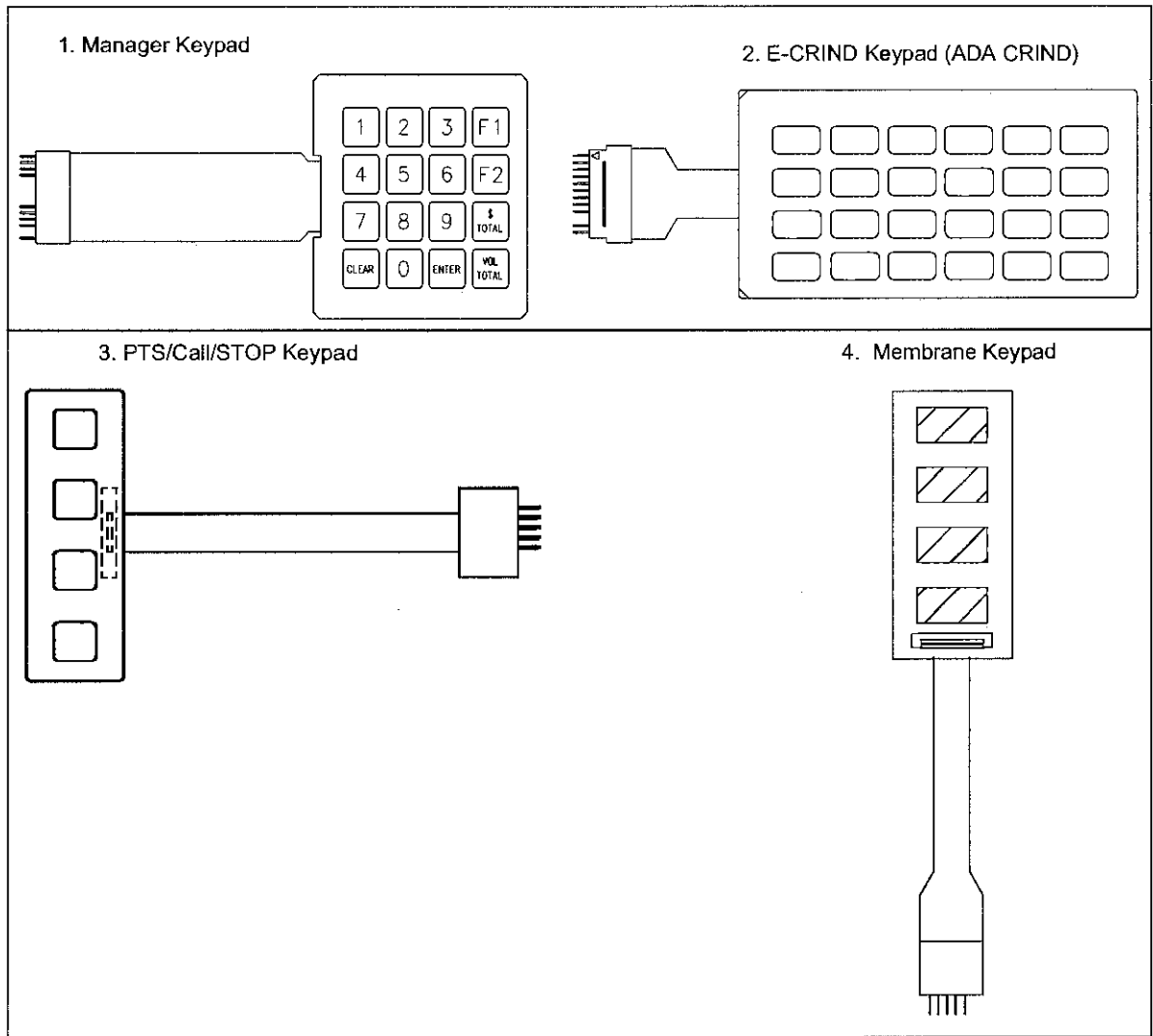


Item #	Description	Current Part	Previous Part	Quantity
1	CRIND Monochrome Display Assembly (Reference only) (See Note 1)	M01653A001	-	1
2	Monochrome Display (Interchangeable) (See Notes 2, 3 and 4)	M02636A001	<i>Note: See previous parts below</i>	1
	Monochrome Display (backlight always ON)	-	Q13908-06	1
	Monochrome Display	-	Q13908-05	1
	Monochrome Display (Interchangeable, backlight always ON)	-	Q13908-03	(See Note 5)
	Monochrome Display (Interchangeable, backlight always ON)	-	Q13908-02	(See Note 5)
	Monochrome Display (Backlight ambient sensitive, OFF in day light, ON at night)	-	Q13908-01	(See Note 5)
3	Video Display lens (See Note 6)	M01255B001	-	1
4	Gasket, Display lens (See Note 6)	M01360B001	-	1
5	Monochrome Softkey keypad	M01254B001	-	1
6	Monochrome keypad (Obsolete)	M00143B001	-	1
7	PCA CRIND Z180 logic board	T17764-G4	-	1
8	Ground cable assembly (See Cable section for Part number)	-	-	-
9	<ul style="list-style-type: none"> • Nut, metric hex (KEPS) • Washer, lk #08 x .020 (Not shown) 	-	-	1
10	Backlight cable (See Cable section for Part number)	-	-	1
<i>Attaching parts for Display to Mounting bracket</i>		-	-	-
11a	<ul style="list-style-type: none"> • Screw, slotted lock washer, hex head (-24) 	-	-	8
<i>Attaching parts for Mounting bracket to door</i>		-	-	-
11b	<ul style="list-style-type: none"> • Screw, slotted lock washer, hex head (-28) 	-	-	8

Notes:

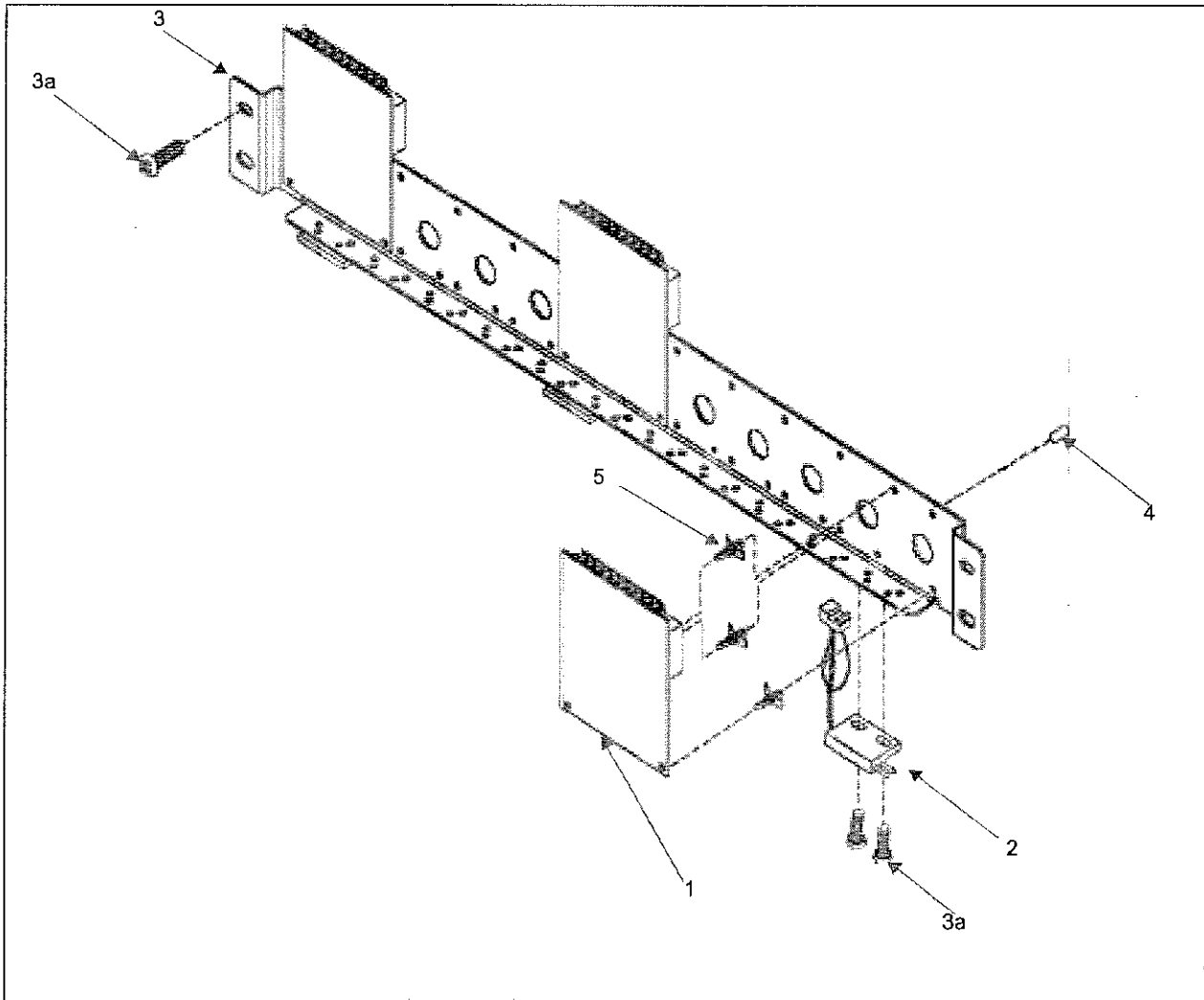
1. Monochrome Mounting bracket, nuts, spacers, along with item 2-Monochrome Display and item 4-Gasket Display Lens are a part of item 1-Monochrome Display Assembly.
2. Do not remove plastic piece off Monochrome Display. This piece is used for Rain Shield "see attached sticker on display for warning".
3. Monochrome Display M02636A001 is currently in production. This display replaces all Q13908 Series. Note: Backlight is "Always ON".
4. The jumper for video source on *Encore 500* is in position "A" and for *The Advantage* and *Encore 300* in position "B".
5. Monochrome Displays Q13908-03, Q13908-02 and Q13908-01 are no longer available.
6. When replacing item 4-Monochrome Display Lens always use item 5-Gasket Display Lens.

Key Pad Assemblies



Item #	Description	Current Part	Previous Part	Quantity
1	Manager Keypad	M00147A001	-	1
2	E-CRIND Keypad (ADA CRIND)	M00141B002	M00141B001 M00141A001	1
3	Keypad, PTS/Call/STOP	M01199B001	-	1
4	Keypad, Membrane	M02027B001	-	1
<i>Not Shown:</i>				
-	Monochrome Softkey Keypad (Not shown) (See Crind Monochrome section on page 4-4 for illustration) (Obsolete)	-	-	1
-	Cable, PTS/Call1/Call2 (Used on Keypad M01199B001)	M01215A001	-	1
-	PTS/Call1/Call2 cable (Used on Keypad M02027B001 and M01199B001)	(See note 1)	-	1
-	Mount adhesive cable (Used on Keypad M02027B001)	Q13558-04	-	1

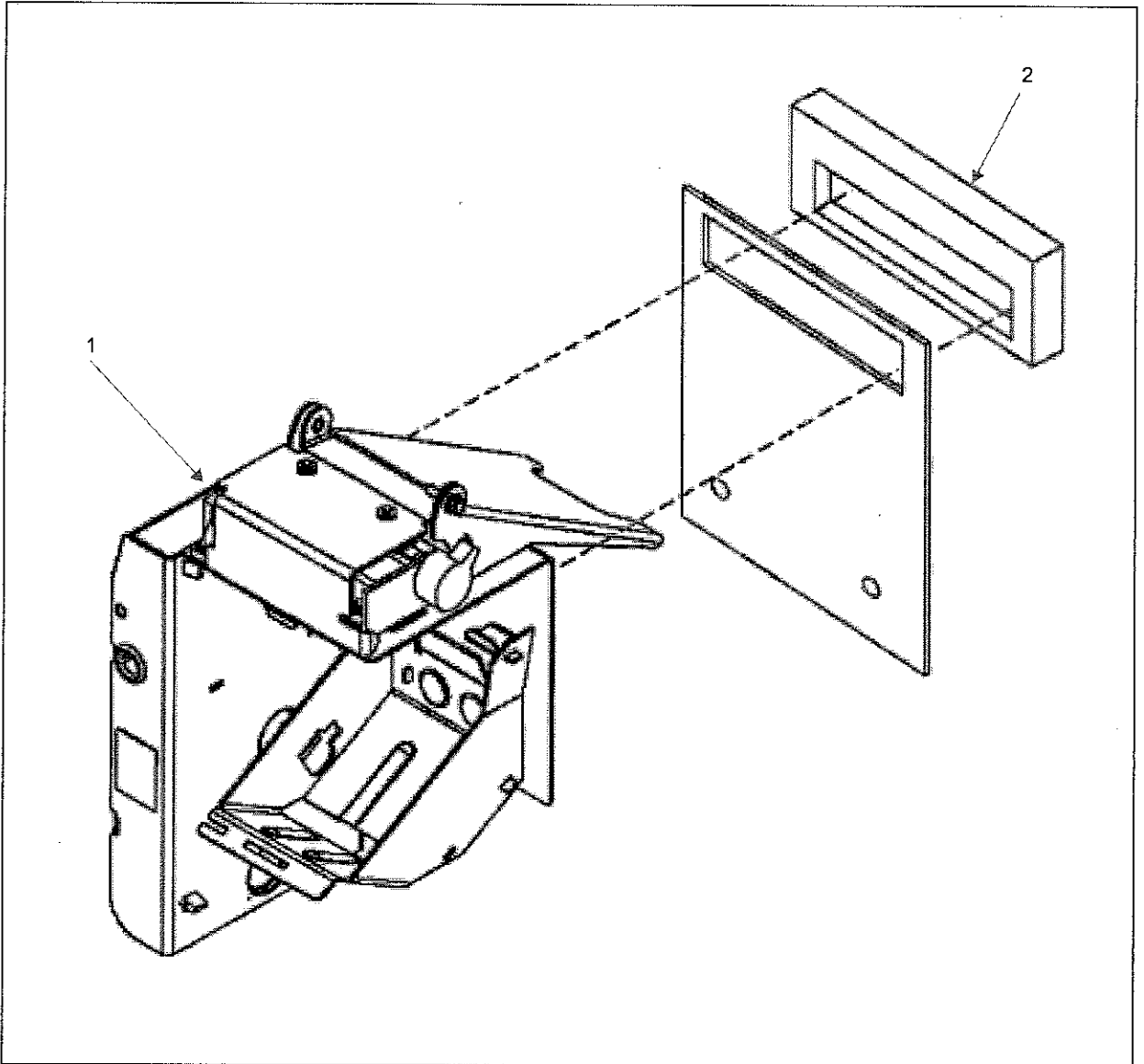
PPU PCB Mounting Assembly



Item #	Description	Current Part	Previous Part	Quantity
1	PCA, Single PPU	M00065A001	-	(See Note 1)
2	Switch, proximity and actuator (Magnetic Reed switch)	Q12514-10	Q12514-08	(See Note 1)
3	Bracket PPU PCB mounting	-	-	-
3a	• Screw, M3.5	-	-	6
4	Snap-lock pin with arrowhead	Q10651-40	-	3
5	Mini-locking PCB Support	Q10651-43	-	9
Not Shown:				
6	Cable, PPU Door (See Note 2)	-	-	1
Notes:				
1. Quantities may vary				
2. Refer to Cable Assembly section for current part number.				

Printer Module Assembly

(Units built before 10/23/01)



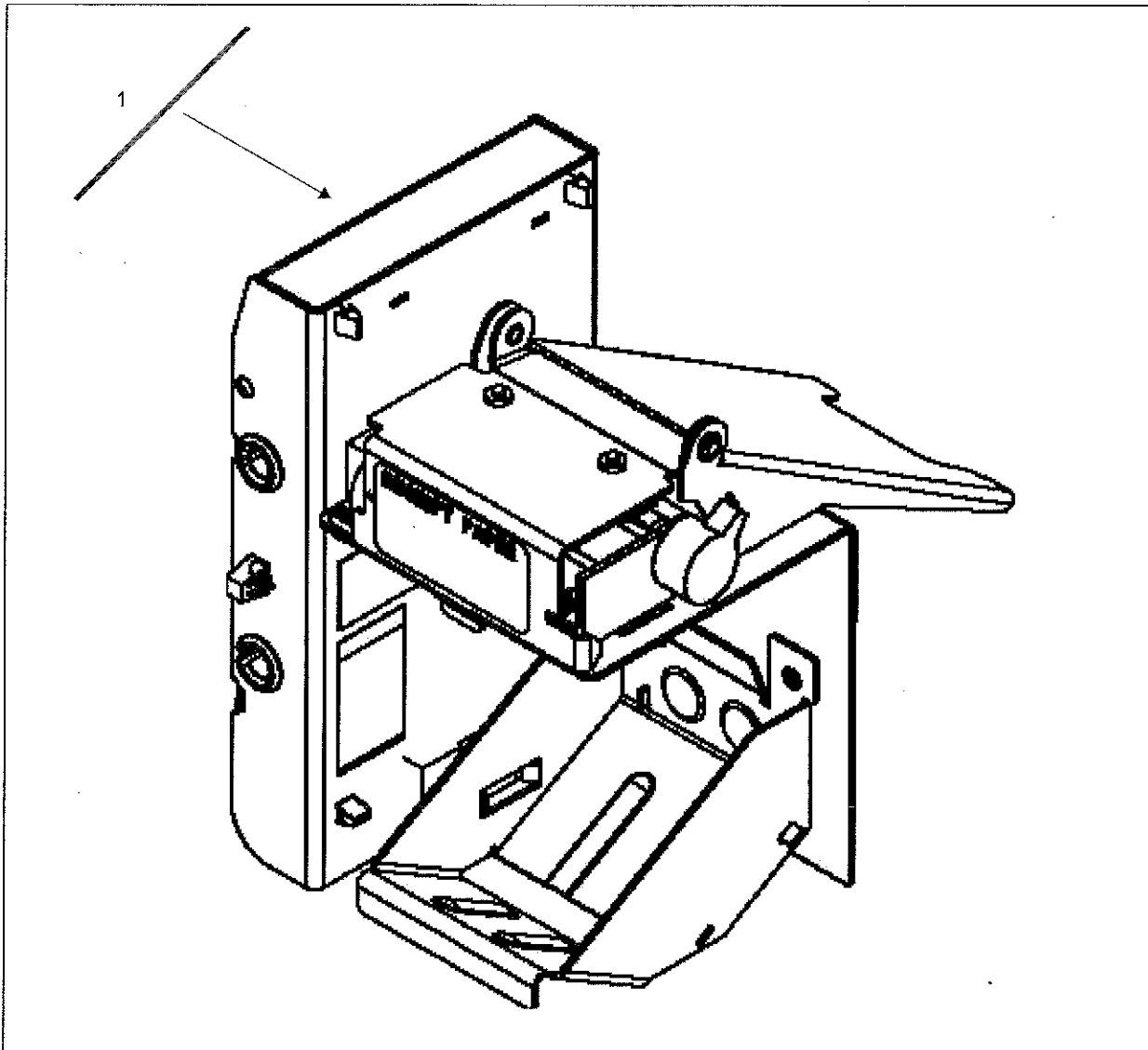
Item #	Description	Current Part	Previous Part	Quantity
1	Printer module assembly (See Note 1)	M00317A002	-	1
1a	Printer (use with round oven door M00213A001, M00213A002)	M00317A002	-	1
1b	Printer (use with TRIND oven door M01509A001)	M00317A001	-	1
2	Printer Gasket	M00772B001	-	1

Notes:

1. This assembly requires reposition of circuit board box on assembly. See MDE-3804 Encore/Eclipse Service Manual.

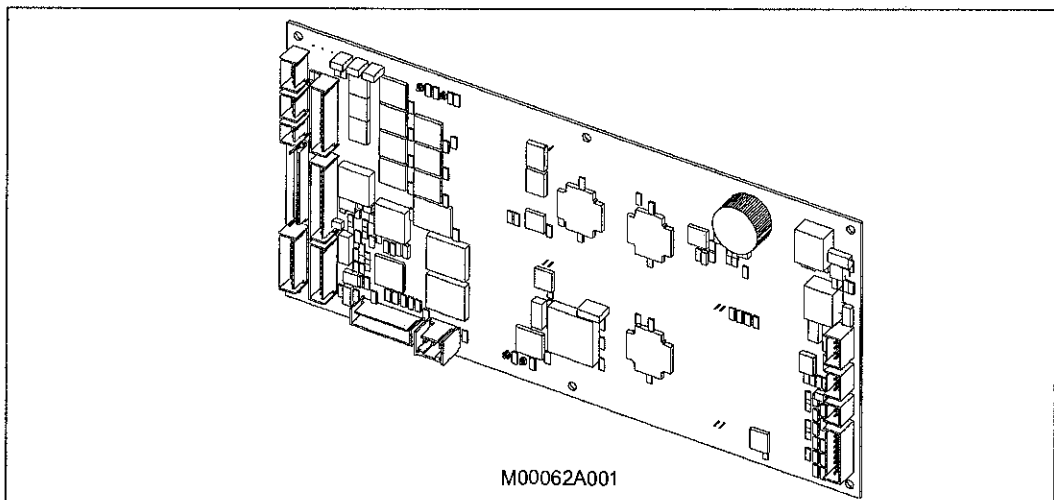
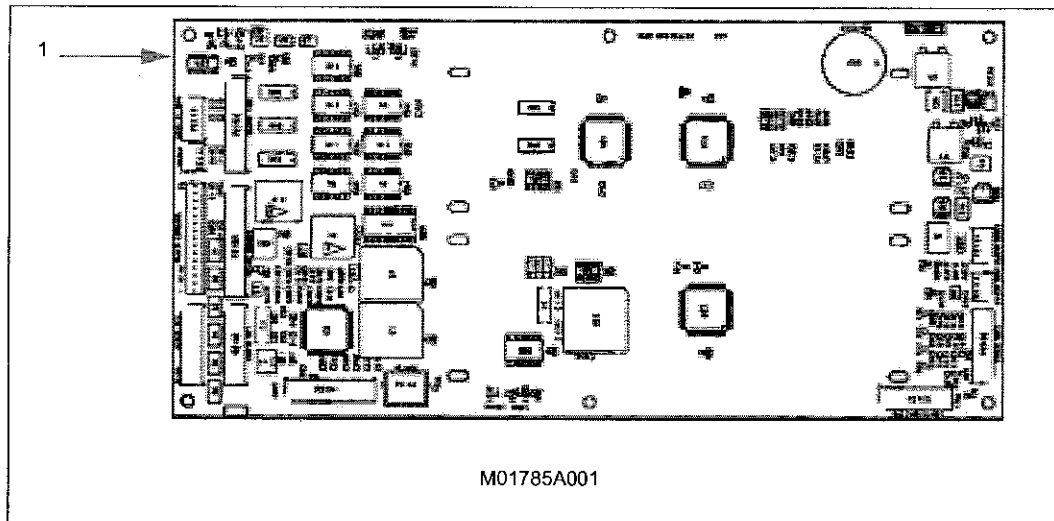
Printer Module Assembly

(Units built after 10/23/01)



Item #	Description	Current Part	Previous Part	Quantity
1	Printer module assembly	M00317A001	-	1
2	Printer Gasket (not shown)	M00772B001	-	1
<i>Not Shown:</i>				
-	Printer paper, High Speed thermal (See Note 1)	Q12475-02	-	1
-	Cleaning Card (See Note 1)	Q13400	-	1
<i>Notes:</i>				
1. Recommend to use High Speed thermal paper supplied by Fujitsu, NCR and or Wallace. For additional information refer to PT-1798 Consumables list.				

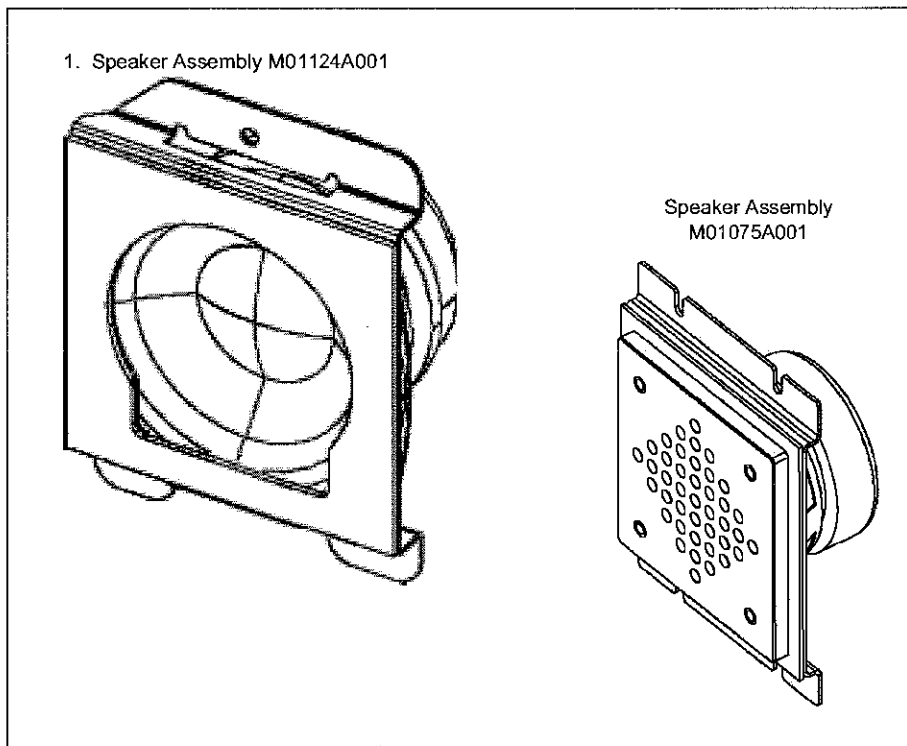
Pump Door Node



Item #	Description	Current Part	Previous Part	Quantity
1	Pump Door Node Assembly, PCB (See Note 1)	M01785A001	M00062A001	1
	• Screw, self tapping hex hd, 6-20x	-	-	4
	Lamp	Q12448-04	-	12

Notes:
 1. Pump Door Node PCB M00062A001 is interchangeable with Pump Door Node PCB M01785A001.

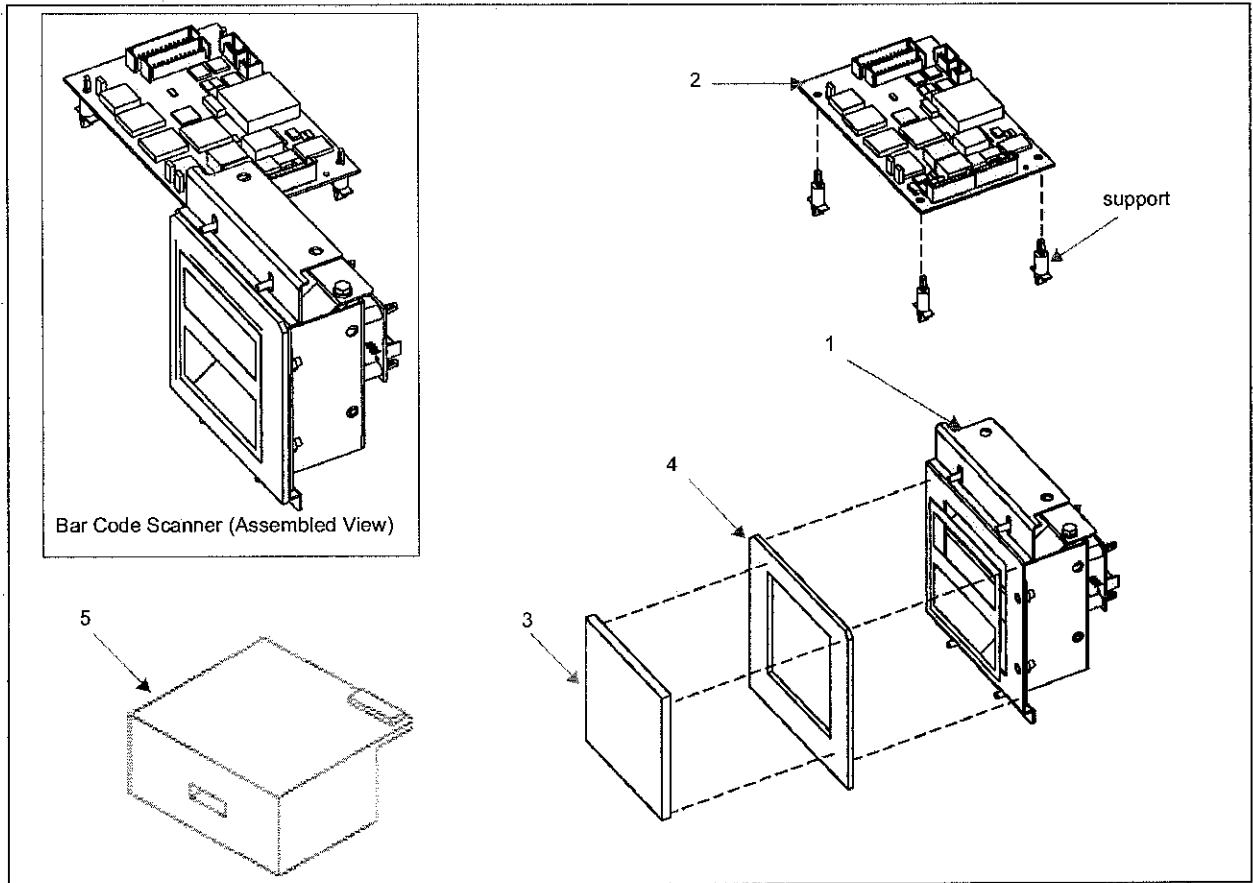
Speaker Assembly



Item #	Description	Current Part	Previous Part	Quantity
1	Speaker Assembly	M01124A001	M01075A001	1
-	nut, hex w/ext lock washer	-	-	4

13 – Options Section

Barcode Scanner Assembly



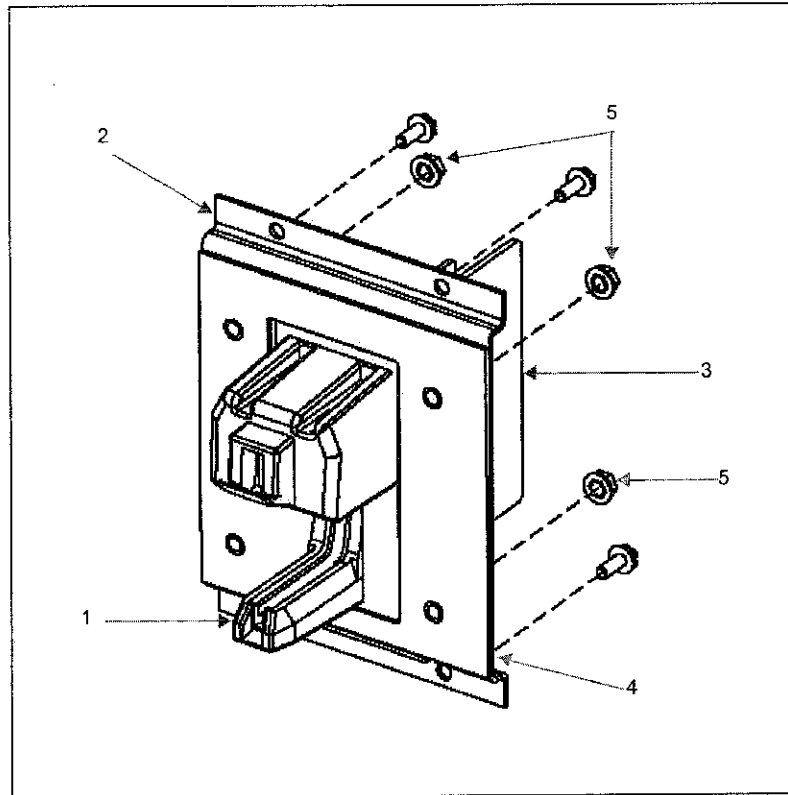
Item #	Description	Current Part	Previous Part	Quantity
	Barcode Scanner Assembly (See Note 1)	M00969A001	-	1
1	Scanner Mounting Bracket	M0093B001	-	1
-	• Screw, metric sems m2 x 6	Q12845-05	-	2
2	PCA Barcode Scanner interface	M01323A001	-	1
-	• Support	Q10651-04	-	4
3	Retainer Scanner lens	M00982B002	-	1
4	Gasket	M00988B002	-	3
5	Barcode Scanner engine	M01304A001	-	1
<i>Not Shown:</i>				
6	Barcode Scanner cable	(See Note 2)	-	1

Item #	Description	Current Part	Previous Part	Quantity
7	Label, Danger (See Note 3)	M02994BXXX	N23954-01	1
8	Label, Warning (See Note 3)	M02994BXXX	N23953-01	1
9	Label, Certification FDA standard (See Note 3)	M02994BXXX	N23952-01	1

Notes:

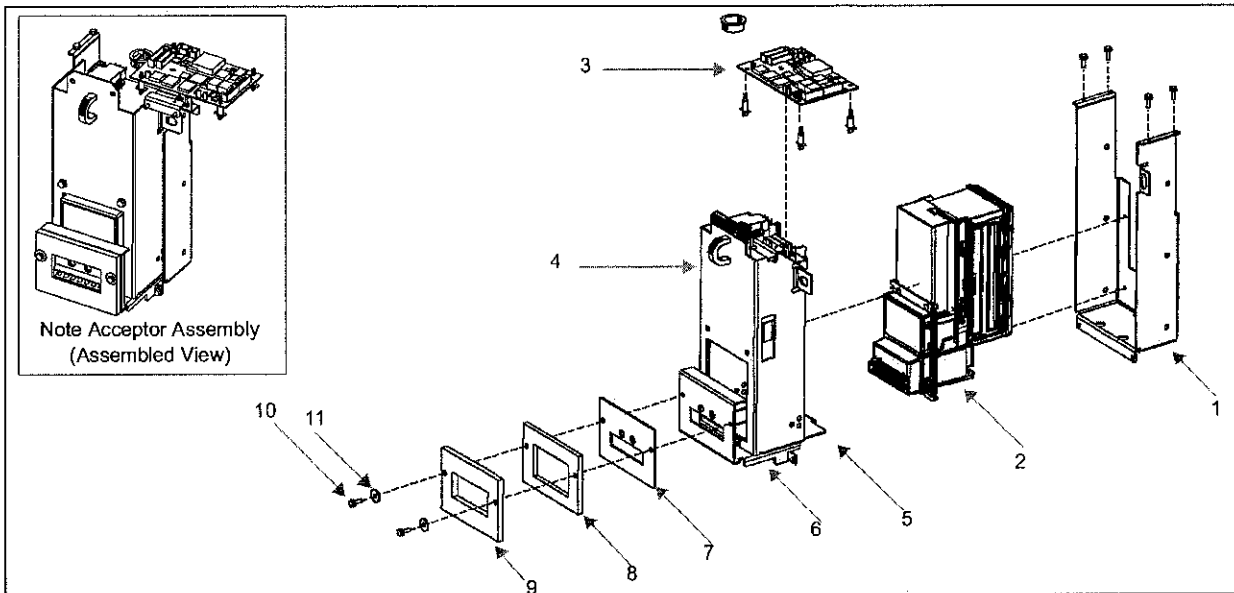
1. Barcode Scanner assembly M00969A001 include Items 1 thru 10.
2. See Cable Assemblies section for additional information.
3. Attach Label(s) after assembly is complete. For help with ordering part(s), contact Gilbarco's Customer Service Department.

Card Reader Option



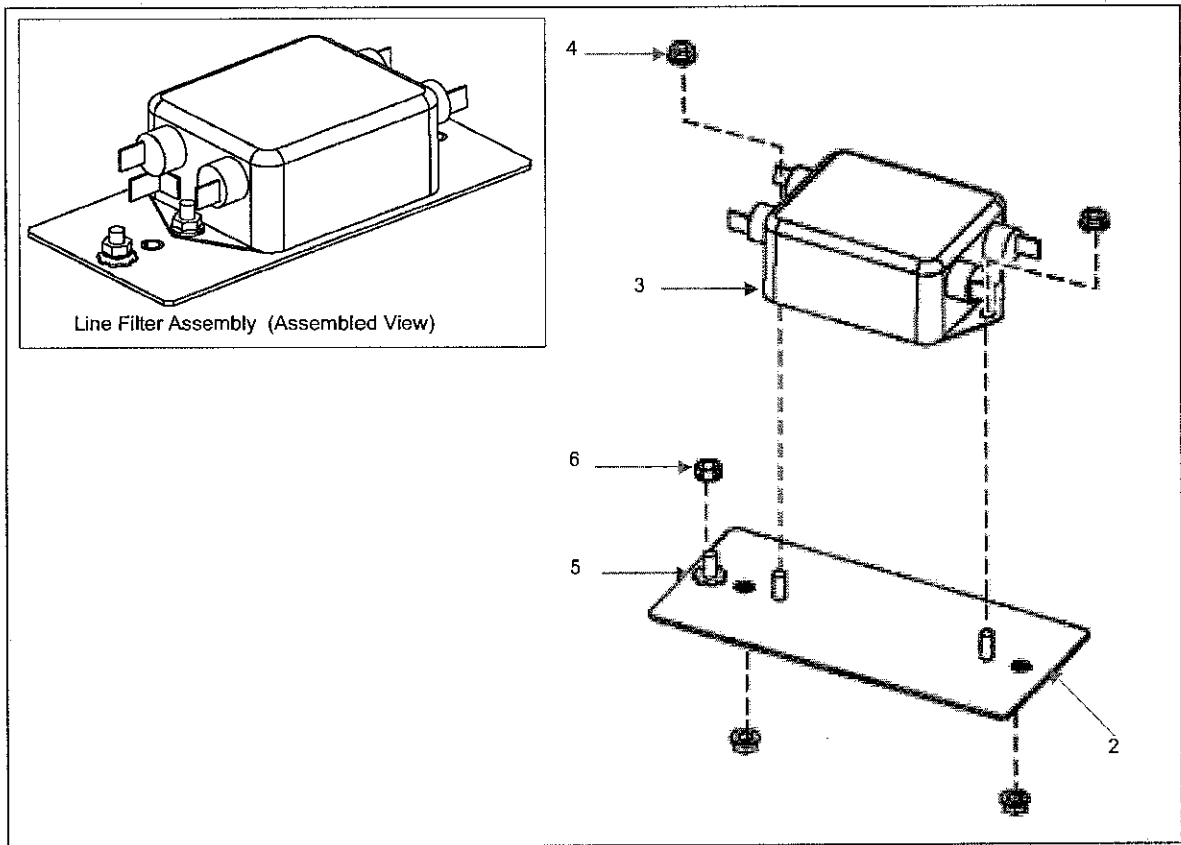
Item #	Description	Current Part	Previous Part	Quantity
Card Reader Assembly (See Note 1)		M00839A001	-	1
1	Bezel, Card Reader	M00232A001	-	1
2	Vertical Bracket, Card Reader	M00231B001	-	1
3	Dual Head Card Reader	M02136B001	-	1
4	Gasket, Card Reader	M00282B001	-	1
5	• Nut, metric hex lock flange m4	-	-	1
Notes: 1. Card Reader Assembly include items 1 thru 5.				

Note Acceptor Assembly



Item #	Description	Current Part	Previous Part	Quantity
Note Acceptor Assembly (See Note 1)		M01403A001	-	1
1	Cash Acceptor Mounting Bracket	M01392A001	-	1
2	Note Acceptor Face Plate Bracket	M02057A001	-	1
3	PCA, Serial - Lon Gateway	M00122A001	-	1
4	Door Handle Pull	M01398B001	-	1
5	Note Acceptor Hinge and Gasket Bracket	M02072B001	-	1
6	Cash Acceptor Guide Gasket	M02223B001	-	1
7	Note Acceptor Bezel Face	M02076B001	-	1
8	Note Acceptor Inner Bezel	M02077B001	-	1
9	Note Acceptor Bezel Face	M02078B001	-	1
10	• Screw, hex hd m4 x 12	-	-	6
11	• Washer	-	-	
<i>Not Shown</i>				
12	Hinge Door Leaf	M01396B001	-	1
13	• Screw, hex hd m5 x 10	-	-	6
14	Note Acceptor with 300 Bill Acceptor	M01251A002	-	1
	• Note Acceptor MARS	M01251B001	-	1
	• Cassette, 500 Bill, LRU	M01251B003	-	1
Notes:				
1. Note Acceptor assembly M01403A001 include items 1 thru 14.				

Note Acceptor Electronics (Line Filter Assembly)



Item #	Description	Current Part	Previous Part	Quantity
Note Acceptor Electronics (See Note 1)			-	1
1	Line Filter Assembly	M02408A001	-	1
2	Bracket, Line Filter Mounting	M02407A001	-	1
3	Filter, EMI 6 AMP	Q10895-07	-	2
4	• Nut, metric hex lock m4	-	-	2
5	• Washer, Lk Ext Th #08 x .020	-	-	1
6	• Nut, metric hex w/ext m4	-	-	1
<i>Not shown</i>				
7	Cable, Cash Acceptor Lining	(See Note 2)	-	1
8	Cable, Cash Acceptor	(See Note 2)	-	1
Notes:				
1. Note Acceptor Electronics include items 1 thru 8.				
2. Refer to Cable Assemblies section for additional information.				