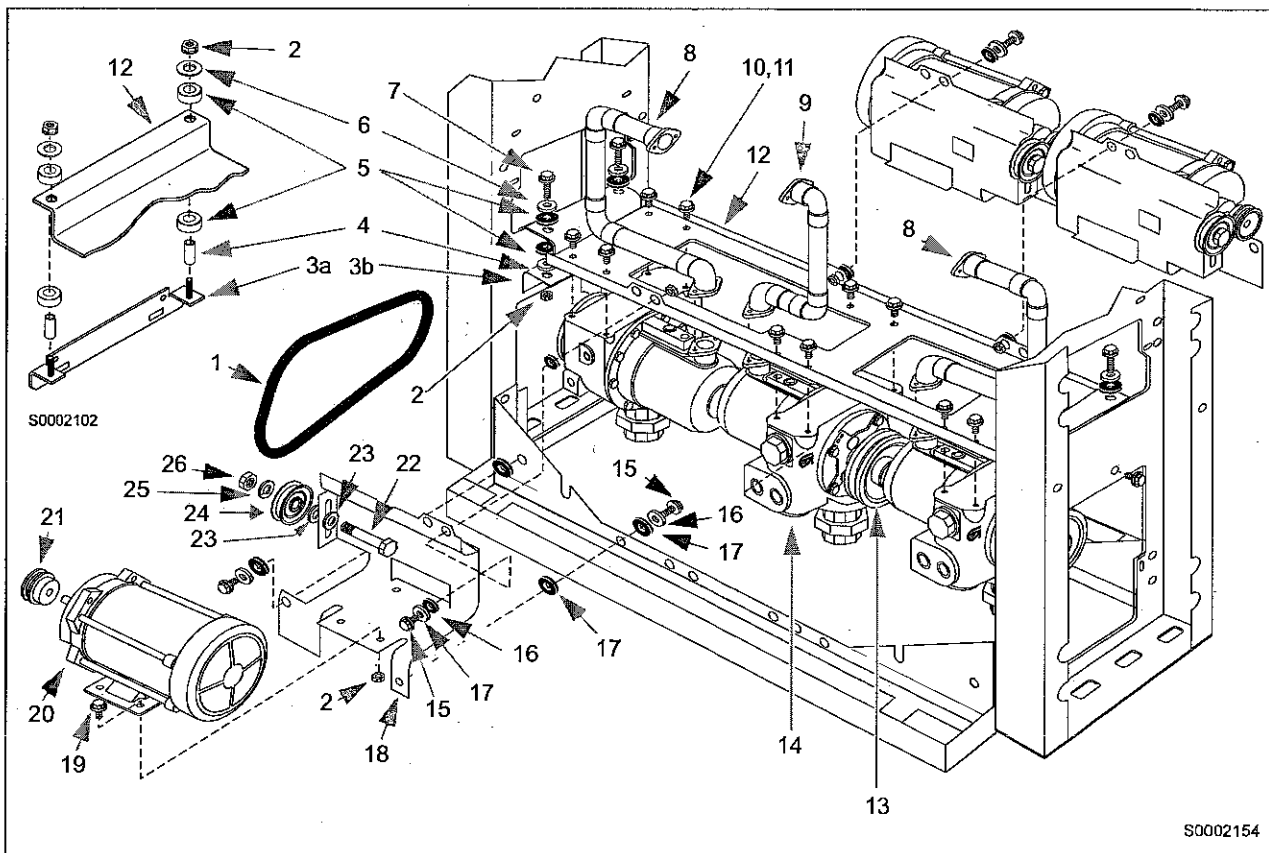


7 – Pumps and Meters Section

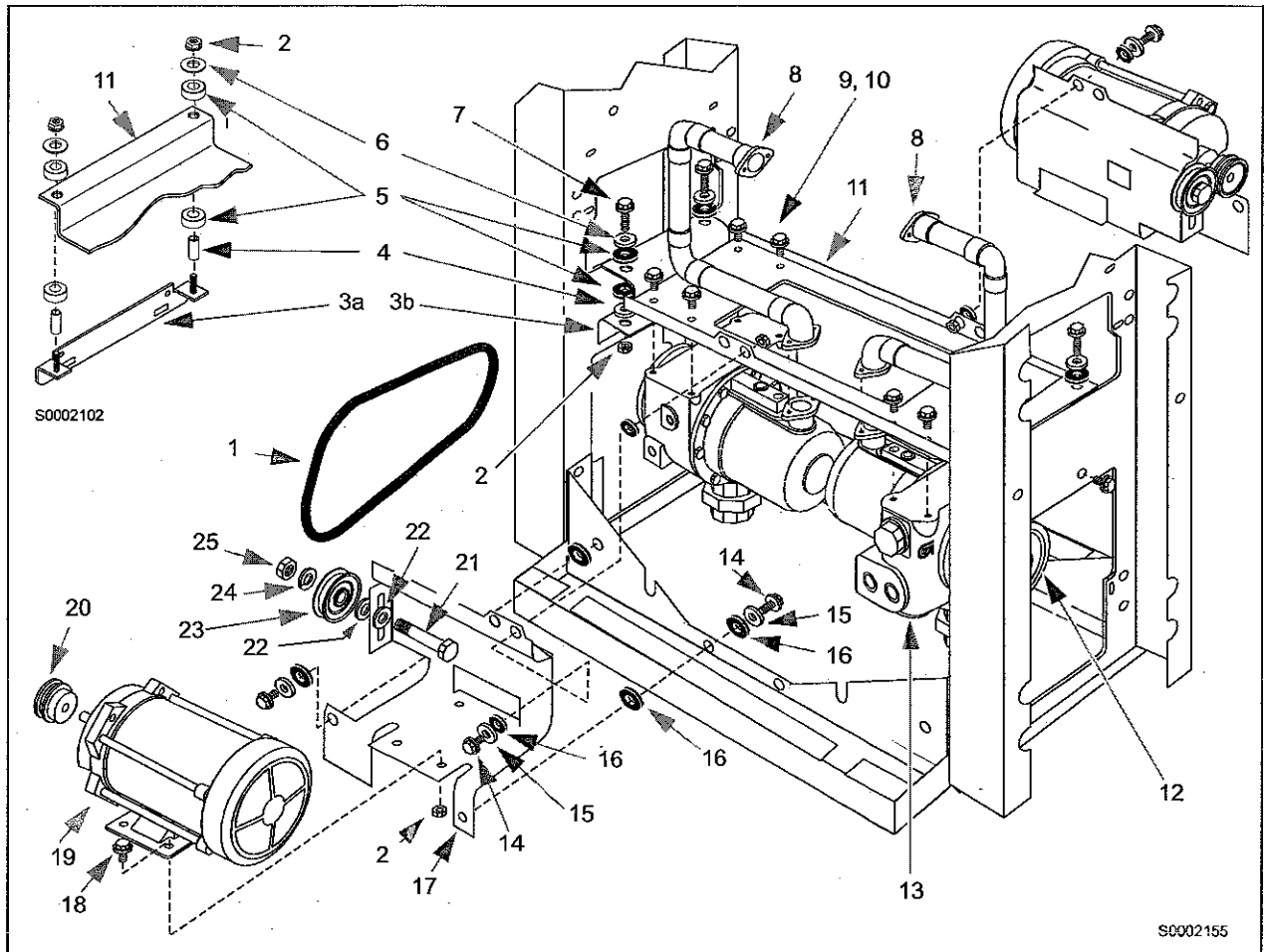
Pump and Motor Support - 48" Frame



Item #	Description	Current Part	Previous Part	Quantity
1	V-belt, 26" (50 and 60Hz models)	R06711-56	-	(See Note 1)
2	Nut, 5/16-18	Q11890-05	-	(See Note 1)
3	Bracket, hydraulic shelf			
	• Production units manufactured after November 1999	T18564-02	-	2
	• Production units manufactured prior to November 1999	-	T18564-G1	2
4	Spacer	K83676	-	4
5	Shockmount	K83674	-	8
6	Flat washer	N16599-35	-	4
7	Bolt, 5/16-18 x 1-1/2"	K03239	-	4
8	Feedline assembly (grades 1 and 3)	T18941-G1	-	2

Item #	Description	Current Part	Previous Part	Quantity
9	Feedline assembly (grade 2) (See Note 2)	T18243-G1	-	1
10	Bolt, 1/2-13 x 3/4"	K46809	-	(See Note 1)
11	Lock washer, 1/2"	K02455	-	(See Note 1)
12	Support plate, pump	T18562-01	-	1
13	Pulley, pump (Gerotor)			
	• 50Hz, 3.75" O.D., 3.50" P.D.	R19678-39	-	(See Note 1)
	• 60Hz, 3.95" O.D., 3.70" P.D.	R19678-41	-	(See Note 1)
14	Pump and air separator assembly (see Gerotor Pumping Unit)	W03002-G17	W03002-G10	(See Note 1)
15	Screw, 5/16-18 X 3/4"	K85736-43	-	(See Note 1)
16	Flat washer	N16599-67	-	(See Note 1)
17	Rubber washer	K80671-24	-	(See Note 1)
18	Support bracket, motor			
	In use after 9/93	W03111-01		(See Note 1)
	Used prior to 9/93	-	W03111	(See Note 1)
19	Bolt, 5/8-16 x 3/4" long	Q10865-35	-	
20	Motor, 3/4HP			
	• Single-phase 115/208-230VAC (120/240VAC for -03) 60Hz, 1725 rpm, CCW	R14213-30	R14213-03	(See Note 1)
	• Single-phase 115/230VAC 50Hz, 1425 rpm, CCW	R14213-05	-	(See Note 1)
	• Three-phase 380VAC 50/60Hz, 1425/1725 rpm, CW or CCW	R14213-14	-	(See Note 1)
21	Pulley, 3/4HP motor			
	• 60Hz, 2.50" O.D., 2.30" P.D.	R18900-25	-	(See Note 1)
	• 50Hz, 2.80" O.D., 2.60" P.D.	R18900-28	-	(See Note 1)
22	Bolt, 3/8-16 x 1-3/4"	K01904	-	(See Note 1)
23	Flat washer, 3/8"	K02206	-	(See Note 1)
24	Idler pulley, 3-1/16" O.D., 2" bottom of groove diameter	N23342-02	-	(See Note 1)
25	Lock washer, 3/8"	K50775	-	(See Note 1)
26	Nut, 3/8-16	K01943	-	(See Note 1)
Not Shown:				
-	Key, motor pulley	Q12697-01	-	(See Note 1)
-	Key, pump pulley	Q12697-02	-	(See Note 1)
Notes: 1) Quantity varies with model.				
2) Not used on MPD two-grade pump.				

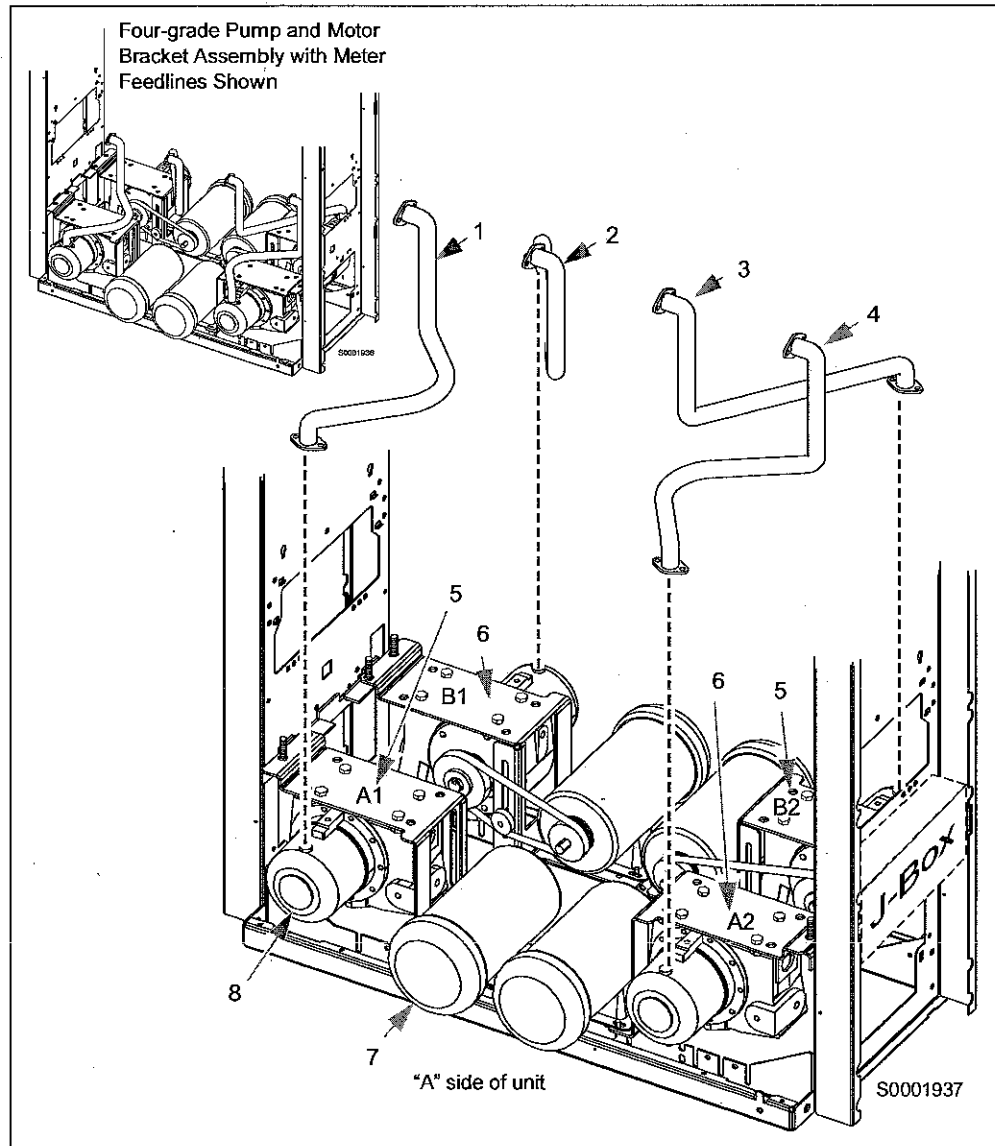
Pump and Motor Support - 36" Frames



Item #	Description	Current Part	Previous Part	Quantity
1	V-belt, 26" (50 and 60Hz models)	R06711-56	-	(See Note 1)
2	Nut, 5/16-18	Q11890-05	-	(See Note 1)
3	Bracket, hydraulic shelf			
	• Production units manufactured after November 1999	T18564-02	-	2
	• Production units manufactured prior to November 1999	-	T18564-G1	2
4	Spacer	K83676	-	4
5	Shockmount	K83674	-	8
6	Flat washer	N16599-35	-	4
7	Bolt, 5/16-18 x 1-1/2"	K03239	-	4
8	Feedline Assembly (products 1 and 2)	T18244-G1	-	(See Note)
9	Bolt, 1/2-13 x 3/4"	K46809	-	(See Note)
10	Lock washer, 1/2"	K02455	-	(See Note)
11	Pump support plate	T18563-01	-	1

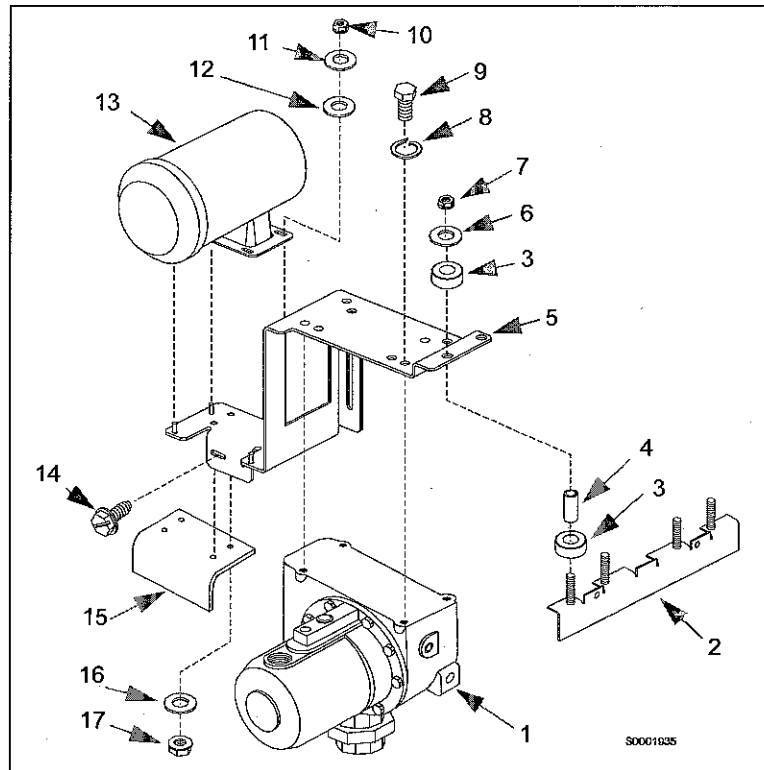
Item #	Description	Current Part	Previous Part	Quantity
12	Pulley, pump (Gerotor)			
	• 50Hz, 3.75" O.D., 3.50" P.D.	R19678-39	-	(See Note)
	• 60Hz, 3.95" O.D., 3.70" P.D.	R19678-41	-	(See Note)
13	Pump and air separator assembly (see Gerotor Pumping Unit)	W03002-G17	W03002-G10	(See Note)
14	Screw, 5/16-18 X 3/4"	K85736-43	-	(See Note)
15	Flat washer	N16599-67	-	(See Note)
16	Rubber washer	K80671-24	-	(See Note)
17	Motor support bracket	W03111	-	(See Note)
18	Bolt, 5/16-18 x 3/4" long	Q10865-35	-	(See Note)
19	Motor, 3/4HP			
	• Single-phase 120/240VAC 60Hz	R14213-03	-	(See Note)
	• Single-phase 115/230VAC 50Hz, 1425 rpm, CCW	R14213-05	-	(See Note)
	• Three-phase 380VAC 50/60Hz, 1425/1725 rpm, CW or CCW	R14213-14	-	(See Note)
20	Pulley, 3/4HP motor			
	• 60Hz, 2.50" O.D., 2.30" P.D.	R18900-25	-	(See Note)
	• 50Hz, 2.80" O.D., 2.60" P.D.	R18900-28	-	(See Note)
21	Bolt, 3/8-16 x 1-3/4"	K01904	-	(See Note)
22	Flat washer, 3/8"	K02206	-	(See Note)
23	Idler pulley, 3-1/16" O.D., 2" bottom of groove diameter	N23342-02	-	(See Note)
24	Lock washer, 3/8"	K50775	-	(See Note)
25	Nut, 3/8-16	K01943	-	(See Note)
Not Shown:				
-	Key, motor pulley	Q12697-01	-	(See Note)
-	Key, pump pulley	Q12697-02	-	(See Note)
<i>Note: Quantity varies with model.</i>				

Pump and Motor Assemblies - Four-grade Pump



Item #	Description	Current Part	Previous Part	Quantity
1	Feedline assembly (#1)	T20315-G1	-	1
2	Feedline assembly (#2)	T20308-G1	-	1
3	Feedline assembly (#3)	T20351-G1	-	1
4	Feedline assembly (#4)	T20352-G1	-	1
5	Support, pump and motor (A1 and B2 locations, refer to illustration)	W03832-G1	-	2
6	Support, pump and motor (A2 and B1 locations, refer to illustration)	W03832-G2	-	2
7	Motor assembly, 3/4 HP (See Note 2)			
	• Single-phase 115/230VAC 50Hz, 1425 rpm, CCW	R20616-G1	-	4
	• Single-phase 115/230VAC 60Hz, 1725 rpm, CCW	R20616-G3	-	4
	• Three-phase 220/380VAC 50/60Hz, 1425/1725 rpm, CW or CCW	R20616-G4	-	4
	• Single-phase 115/230VAC 50Hz, 1425 rpm, CCW	R20617-G1	-	4
	• Single-phase 115/230VAC 60Hz, 1725 rpm, CCW	R20617-G3	-	4
	• Three-phase 220/380VAC 50/60Hz, 1425/1725 rpm, CW or CCW	R20617-G4	-	4
	• Single-phase 115/230VAC 50Hz, 1425 rpm, CCW	R20618-G1	-	4
	• Single-phase 115/230VAC 60Hz, 1725 rpm, CCW	R20618-G3	-	4
	• Three-phase 220/380VAC 50/60Hz, 1425/1725 rpm, CW or CCW	R20618-G4	-	4
	• Single-phase 115/230VAC 50Hz, 1425 rpm, CCW	R20619-G1	-	4
	• Single-phase 115/230VAC 60Hz, 1725 rpm, CCW	R20619-G3	-	4
	• Three-phase 220/380VAC 50/60Hz, 1425/1725 rpm, CW or CCW	R20619-G4	-	4
8	Pump and air separator assembly (Gerotor)	W03002-G17	-	4
<i>Note: Motor assembly includes conduit connection at motor.</i>				

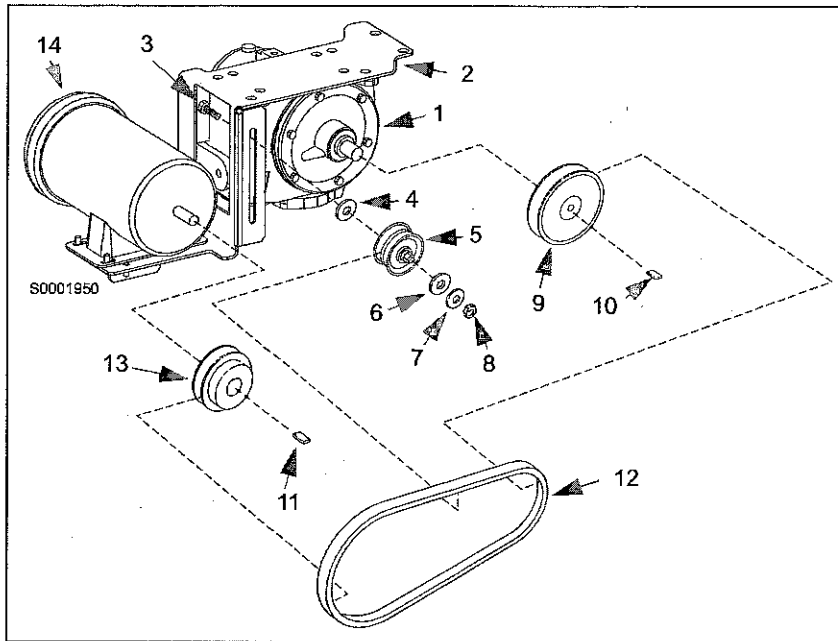
Pump and Motor Support - Four-grade Pump



Item #	Description	Current Part	Previous Part	Quantity
1	Pump and air separator assembly (see Gerotor Pumping Unit)	W03002-GXX	-	-
2	Support bracket, pump shelf (shown for reference)	T20380-G1	-	-
3	Shock mount	K83674	-	4
4	Spacer	K83676	-	2
5	Support, pump and motor (see Pump and Motor Assemblies - Four-grade Pump)	W03832-G1 (Left) W03832-G2 (Right)	-	-
6	Washer, shock mount	N16599-35	-	2
7	Nut, serrated, hex flange 5/16-18	Q11890-05	-	2
8	Washer, lock, 1/2" I.D.	K02455	-	4
9	Bolt, hex head, 1/2-13 x 3/4" long	K46809	-	4
10	Nut, serrated, 5/16-18	Q11890-05	-	4
11	Washer, flat, 5/16"	K42999	-	4
12	Washer, rubber	K80671-24	-	4
13	Motor (see Pump and Motor Assemblies - Four-grade Pump)	R2061X-GX	-	-
14	Bolt, hex head, thread forming, 5/16-18 x 3/4"	K85736-43	-	2
15	Bracket, pump support plate	N23909-G1	-	1
16	Washer, flat, 5/16	K42999	-	4
17	Nut, serrated, hex flange, 5/16-18	Q11890-05	-	4

Note: Quantity in this table is for assembly shown. See Pump and Motor Assemblies - Four-grade Pump for complete assembly.

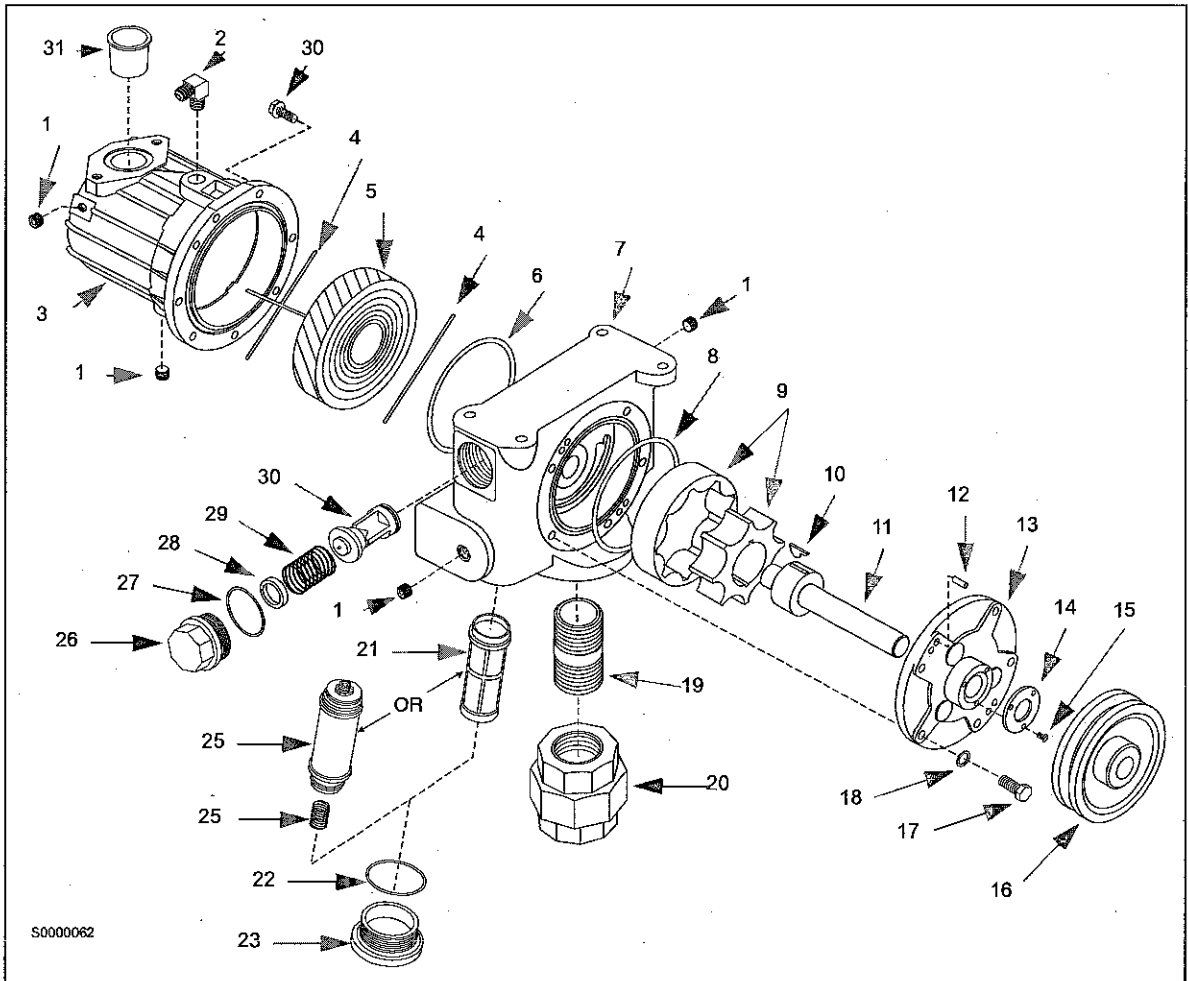
Pulleys and Belts - Four-grade Pump



Item #	Description	Current Part	Previous Part	Quantity
1	Pump and air separator assembly (shown for reference, see Gerotor pump and air separator assembly)	W03002-GXX	-	-
2	Support, pump and motor (shown for reference, see Items 5 and 6 on page 6)	W03832-GX	-	-
3	Bolt, 3/8"-16 x 1-3/4" long	K01904	-	1
4	Lock washer, 1/2"	K02455	-	1
5	Pulley, idler, 3-1/16" O.D.	N23342-02	-	1
6	Flat washer, 3/8"	K02206	-	1
7	Lock washer, 3/8"	K50775	-	-
8	Nut, hex, 3/8"-16	K01943	-	1
9	Pulley, pump			
	• Used with 3/4 hp, 60 Hz motor, 3.95" O.D., 3.70" P.D.	R19678-41	-	1
	• Used with 3/4 hp, 50 Hz motor, 3.75" O.D., 3.50" P.D.	R19678-39	-	1
10	Key, pump, .25 x .25 x .625 long	Q12697-02	-	1
11	Key, motor, .25 x .25x 1.25 long	Q12697-01	-	1
12	V-belt, pump and motor			
	• "A" side, right and "B" side left	R06711-39	-	2
	• "A" side, left and "B" side right	R06711-54	-	2
13	Pulley, motor			
	• 3/4 hp, 60 Hz, 2.50" O.D., 2.30" P.D.	R18900-25	-	1
	• 3/4 hp, 50 Hz, 2.80" O.D., 2.60" P.D.	R18900-28	-	1
14	Motor (see Item 7 on page 6)	R2061X-GX	-	-

Note: Quantity in this table is for assembly shown. Pulleys and keys typical for The Advantage Series.

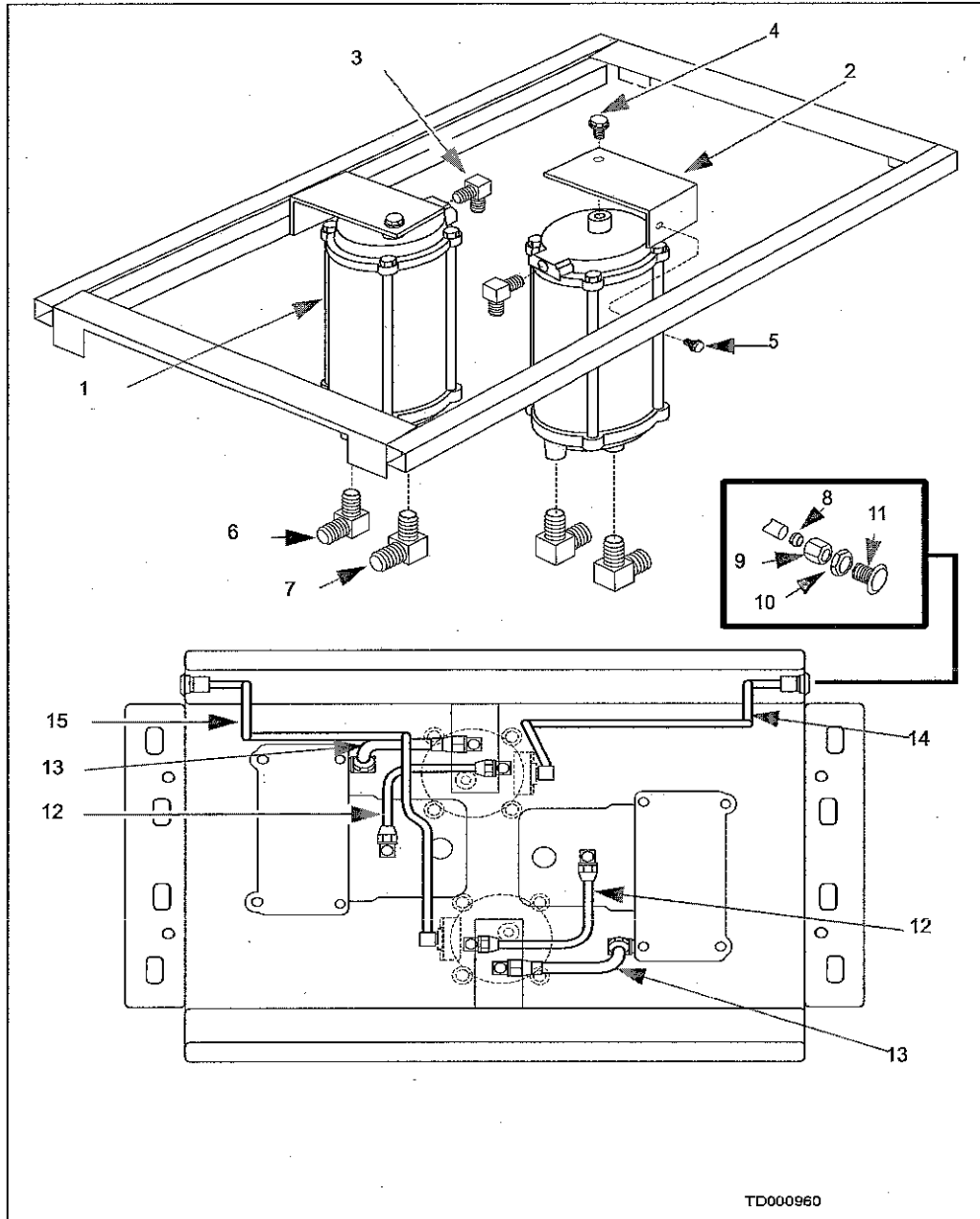
Gerotor Pumping Unit



Item #	Description	Current Part	Previous Part	Quantity
	Gerotor pump and air separator assembly			
	• U.S.	W03002-G17	W03002-G10	(See Note)
	• Canada	W03002-G20	-	(See Note)
1	Plug, 1/4"	K60756	-	4
2	Vent elbow	Q10001-12	-	1
3	Air separator body (1" discharge)	W03643-10	-	1
4	Filter retainer	K82085-02	-	3
5	Separator filter	K76193	-	1
6	Seal (lathe-cut)	Q12508-257	-	1
7	Pump body	W03001-G2	-	1
8	Seal (lathe-cut)	Q12508-251	-	1
9	Gerotor gear set	R19355-G1	-	1
10	Key	K93830	-	1

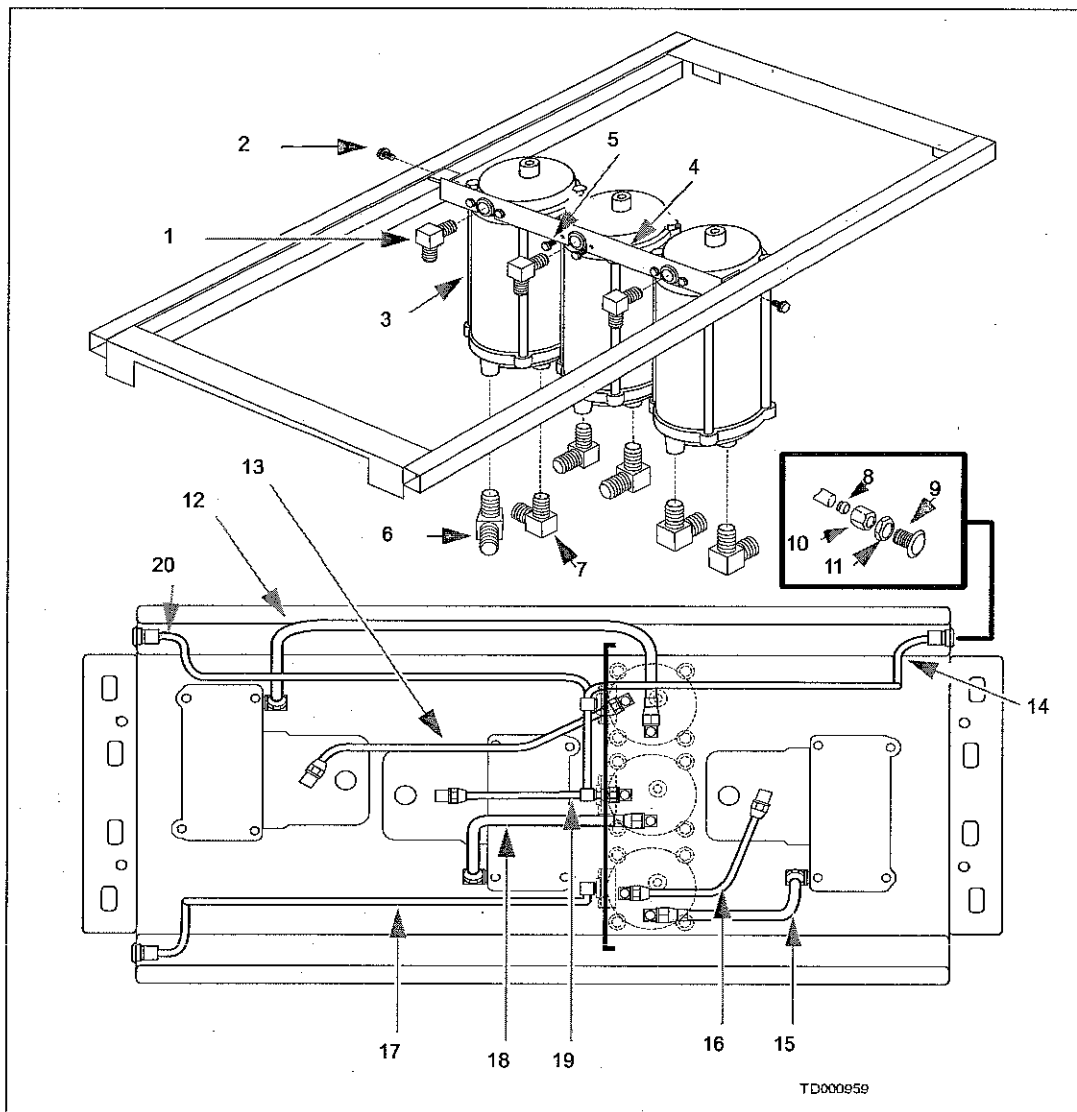
Item #	Description	Current Part	Previous Part	Quantity
11.	Shaft and collar assembly	R19423-02	-	1
12	Dowel pin	K41874	-	2
13	Head and bearing plate assembly	T18759-G1	-	1
14	Seal, 1" shaft	N23196	-	1
15	Screw, 10-24 x 3/8	Q11560-105	-	3
16	Pulley, shown for reference (see Pulleys and Belts - Four-grade Pump)	-	-	1
17	Bolt, 3/8-16 x 1"	Q10412-07	-	5
18	Lock washer, 3/8"	K50775	-	5
19	Pipe nipple, 1-1/2" x 1-3/4"	R11493-50	-	1
20	Union, 1-1/2"			
	• 150 lbs. (U.S.)	K12179	-	1
	• 300 lbs. (Canada)	Q10846-08	-	1
21	Strainer	N18957	-	1
22	O-Ring, 2-1/8" x 2-3/8" x 1/8"	Q10068-18	-	1
23	Strainer cap	K45315E03	-	1
24	Retainer spring	K93828	-	1
25	Strainer/check valve	PA0039A06	-	1
26	Bypass valve cap	K48169-04	-	1
27	O-ring, 1-3/4" x 2" x 1/8"	Q10068-15	-	1
28	Preload spacer	K93530-03	-	1
29	Preload spring	K93829	-	1
30	Bypass valve	N23190	-	1
31	Screw, 5/16-18 x 7/8"	Q10865-01	-	10
32	Protective plug, 1"	K78953-27	-	1
Not shown:				
-	Protective disk, 1-1/2"	K78953-22	K84625	1
-	Protective cap, 5/8-18"	K78953-43	-	1
-	Protective plug, 3/8"	K78953-25	-	1
<i>Note: Quantity varies with model.</i>				

Sump Assembly - 36" Frames 2 Product



Item #	Description	Current Part	Previous Part	Quantity
1	Sump assembly	PA0013-179	-	2
2	Sump mounting bracket	N23426	-	2
3	Elbow fitting, 3/8" x 90 degrees	Q12503-01	-	2
4	Bolt, 3/8-16 x 5/8"	K44046	-	2
5	Screw, 5/16-18 x 3/4"	K85736-43	-	2
6	Elbow fitting, flared, 3/8" x 90 degrees	Q10001-12	-	2
7	Elbow fitting, flared, 1/2" x 90 degrees	Q10001-20	-	2
8	Ferrule, compression fitting, 3/8"	K43260	-	(See Note)
9	Nut, compression fitting, 3/8"	Q12505-01	-	(See Note)
10	Nut, hex check, 9/16-24"	Q10985-02	-	(See Note)
11	Vent fitting assembly	N21861-02	-	(See Note)
12	Inlet tube assembly, product 1 and product 2	R20300-G1	-	(See Note)
13	Return tube assembly, product 1 and product 2	T19725-G1	-	(See Note)
14	Vent tube, product 1	W03106	-	1
15	Vent tube, product 2	W03105	-	1
<i>Note: Quantity varies with model.</i>				

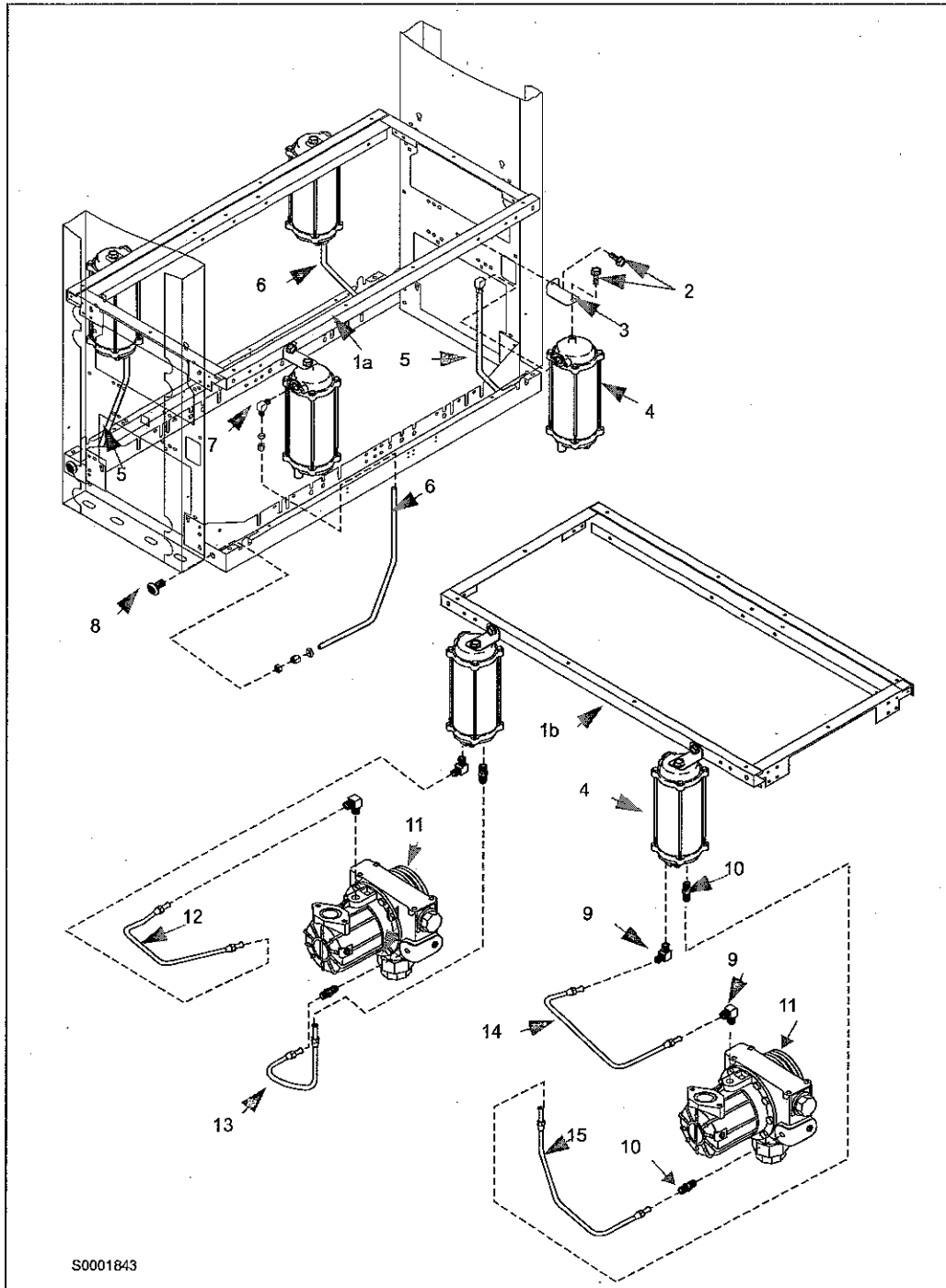
Sump Assembly - 48" Frames, 3 Product



Item #	Description	Current Part	Previous Part	Quantity
1	Elbow fitting, 3/8" x 90 degrees	Q12503-01	-	3
2	Screw, 5/16-18 x 3/4" (See Note 1)	K85736-43	-	2
3	Sump assembly	PA0013-179	-	3
4	Sump mounting bracket	R19472-01	-	1
5	Screw 1/4-20 x 1/2"	Q11889-02	-	6
6	Elbow fitting, flared, 3/8" x 90 degrees	Q10001-12	-	6
7	Elbow fitting, flared, 1/2" x 90 degrees	Q10001-20	-	6
8	Ferrule, compression fitting, 3/8"	K43260	-	(See Note)
9	Vent fitting assembly	N21861-02	-	(See Note)
10	Nut, compression fitting, 3/8"	Q12505-01	-	(See Note)
11	Nut, hex check, 9/16-24"	Q10985-02	-	(See Note)
12	Return tube assembly, product 1	T18234-G1	-	1
13	Inlet tube assembly, product 1	T18233-G1	-	1
14	Vent tube, product 1	T18231-01	-	1
15	Return tube assembly, product 3	T18238-G1	-	1
16	Inlet tube assembly, product 3	T18237-G1	-	1
17	Vent tube, product 3	T18231-02	-	1
18	Return tube assembly, product 2	T18236-G1	-	1
19	Inlet tube assembly, product 2	T18235-G1	-	1
20	Vent tube, product 2	T18232	-	1

Note: Quantity varies with model.

Sump Assembly - Four-grade Pump

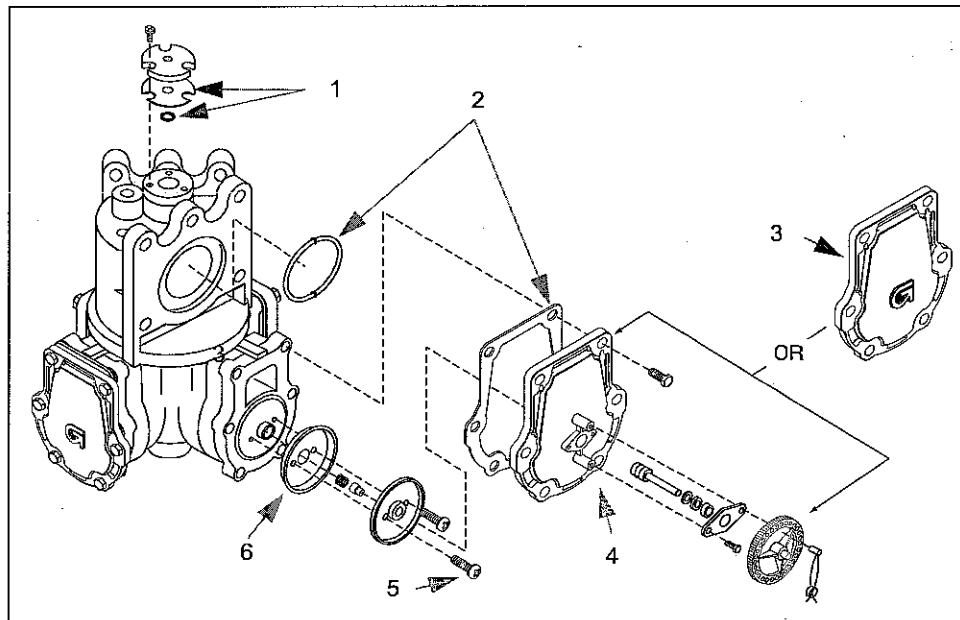


Item #	Description	Current Part	Previous Part	Quantity
1	Frame members (shown for reference)			
	• (1a) Hydraulic support rail shown with unit columns (A side of unit)			
	• (1b) Hydraulic support, shown alone for clarity (A side of unit)			
2	Screw, cap, 3/8-16 x 1/2" long	Q11889-22	-	8
3	Bracket, sump mounting	R20615-01	-	4
4	Sump Assembly	PA0013-179	-	4
5	Vent tube, sump, right side	T20346-01	-	2
6	Vent tube, sump, left side	T20345-01	-	2
7	Elbow, compression fitting, 3/8" x 90 degrees	Q12503-01	-	4
8	Vent fitting	N23927-01	-	4
9	Elbow, flared fitting, 3/8" x 90 degrees	Q10001-12	-	8
10	Connector, male flare, 1/2"	Q10008-21	-	8
11	Pump and air separator assembly (see Gerotor Pumping Unit)	W03002-GXX	-	4
12	Inlet tube assembly, sump, (left side, facing unit)	N23890-G1	-	2
13	Return tube assembly, sump, (left side, facing unit)	N23889-G1	-	2
14	Inlet tube assembly, sump, (right side, facing unit)	R20609-G1	-	2
15	Return tube assembly, sump, (right side, facing unit)	R20608-G1	-	2

C Meter PA024xCxxxx

The PA024xCxxxx model number can be any of the following:

• PA024NC03M	• PA024TC10	• PA024EC01
• PA024NC04M	• PA024TC11	• PA024EC02
• PA024NC10	• PA024TC20	
• PA024NC12B	• PA024TC21	
• PA024NC12M	• PA024TC22	
• PA024NC13	• PA024TC23	
• PA024NC14M	• PA024TC24	
• PA024NC20M	• PA024TC25	
• PA024NC35	• PA024TC26	
• PA024NC54	• PA024TC28M	
• PA024NC68M	• PA024TC30	
• PA024NC91M		
• PA024NC103M		
• PA024NC107		
• PA024NC108		
• PA024NC109M		
• PA024NC110B		



Item #	Description	Current Part	Previous Part	Quantity
1	Quad ring kit (shaft seals, gaskets and alignment tools to service 10 meters)	K35222	-	1
2	Gasket and O-Ring kit (includes cover gaskets and O-Rings, flange O-Rings)	K35359	-	1
3	Cylinder cover, plain	N08028	-	1
4	Adjustment screw and cylinder cover assembly	N08086	-	1
5	Screw, 10-32 x 5/8", SST	Q11860-01	-	8
6	Piston cup, formed	N21252	-	4
Not shown				
-	Meter check valve kit (includes check valve, O-Rings, adapter)	K94254-01	-	1
-	Sealant, Loctite® 510, 250 ml tube (enough to reseal connecting bars on 50 meters)	END 1747	-	1