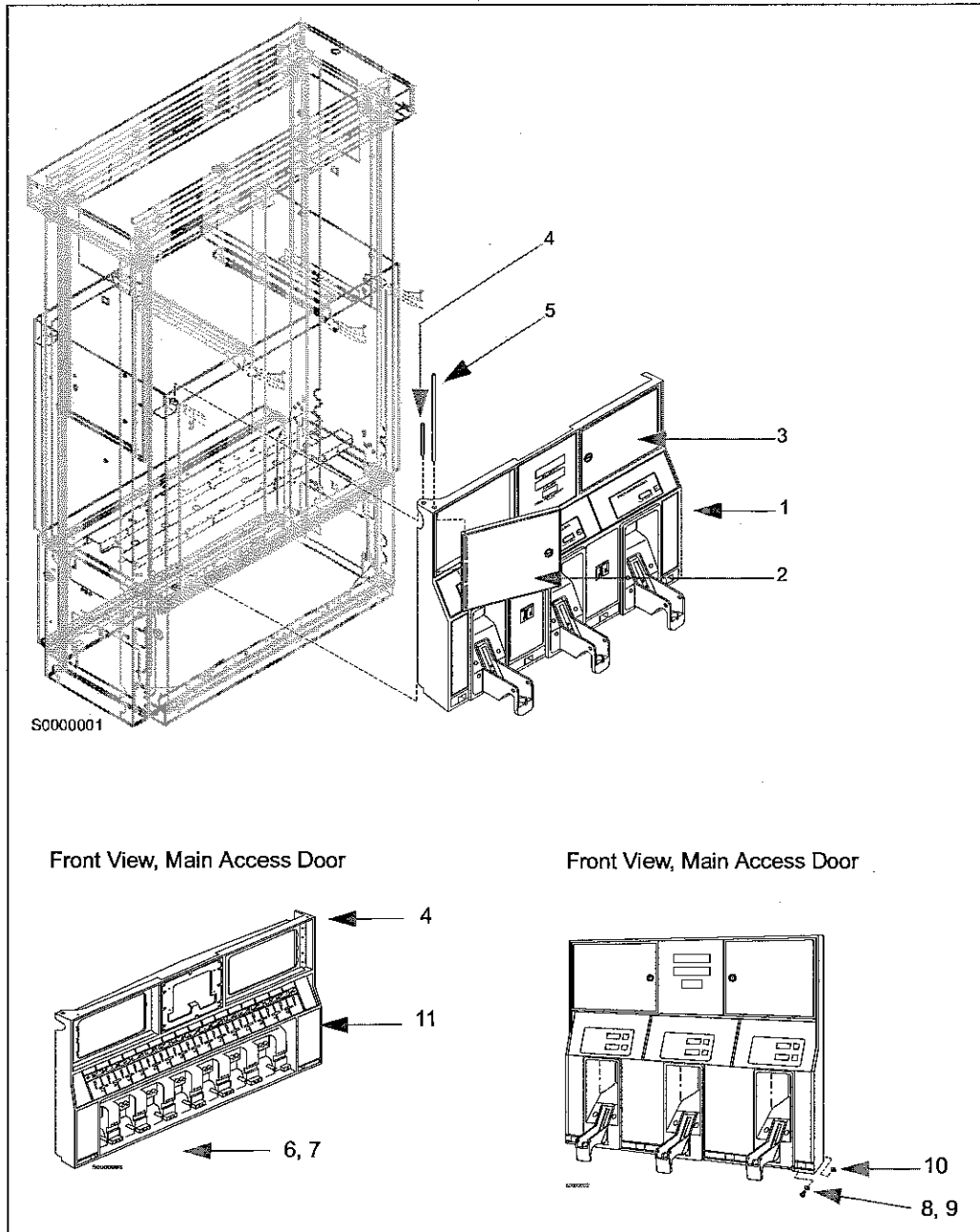


2 – Main Access Door Section



Main Access Door Section

Item #	Part Description	Current Part	Previous Part	Quantity
1	Main access door assembly	See "Main Access Door Section" on page 2-1	-	1
2	Assembly, left access door, blank (includes hardware, lock, gasket and so on) (See Note 1)	T17498-G01	-	1
	• Single Line CRIND ADA	T19727-G01	-	1
3	Assembly, right access door (includes lock and gaskets) (See Note 2)			
	• Black	T17626-G2	-	1
	• Black, with alarm (for use with cash acceptor units)	T17626-G5	-	1
	• Gray	T17626-G7	-	1
	• Blue	T17626-G9	-	1
	• Black, with pump stop	T17626-G10	-	1
	• Black, with pump stop (for use with cash acceptor units)	T17626-G11	-	1
	• Gray, with pump stop	T17626-G12	-	1
	• Black, with call button	T17626-G13	-	1
	• Black, with call button (for use with cash acceptor units)	T17626-G14	-	1
	• Gray, with call button	T17626-G15	-	1
	• Black, with pump stop and call button	T17626-G16	-	1
• Black, with pump stop and call button (for use with cash acceptor units)	T17626-G17	-	1	
• Gray, with pump stop and call button	T17626-G18	-	1	
4	Main access door hinge pin (upper)	R19177-01	R19212-02	1
5	Option door hinge pin	R19024-02	R19024-01	2
6	O-Ring, 7/32" x 11/32" x 1/16"	Q10066-09	-	1
7	Hinge pin, lower	R19176-01	-	1
8	Retaining screw, door, 1/4"-20 x 2" hex head	Q13292-40	Q11098-10	1
9	Flat washer, 1/4"	Q11439-07	-	1
10	Screw retainer, 1/4"	Q10922-02	-	1
11	Hinge Bracket and Linkage	R20510-G1	-	1
Not Shown:				
-	Upper main door gasket			
	• 48" unit (gasket is 106" long)	Q12406-01	-	1
	• 36" unit (gasket is 94-1/10" long)	Q12406-03	-	1
-	Lower main door gasket			
	• 48" unit (gasket is 38" long)	Q12406-02	-	1
	• 36" unit (gasket is 26-1/10" long)	Q12406-04	-	1
<p>Notes: 1) - Quantities per main access door.</p> <p>2) For CRIND option doors, refer to PT-1736. For additional option doors, see "Pump Preset and Left Pump Stop Doors" on page 2-6.</p> <p>3) For pump stop and call button parts, see "Right Main Display, Pump Stop, and Call Button Option Door" on page 2-8.</p>				

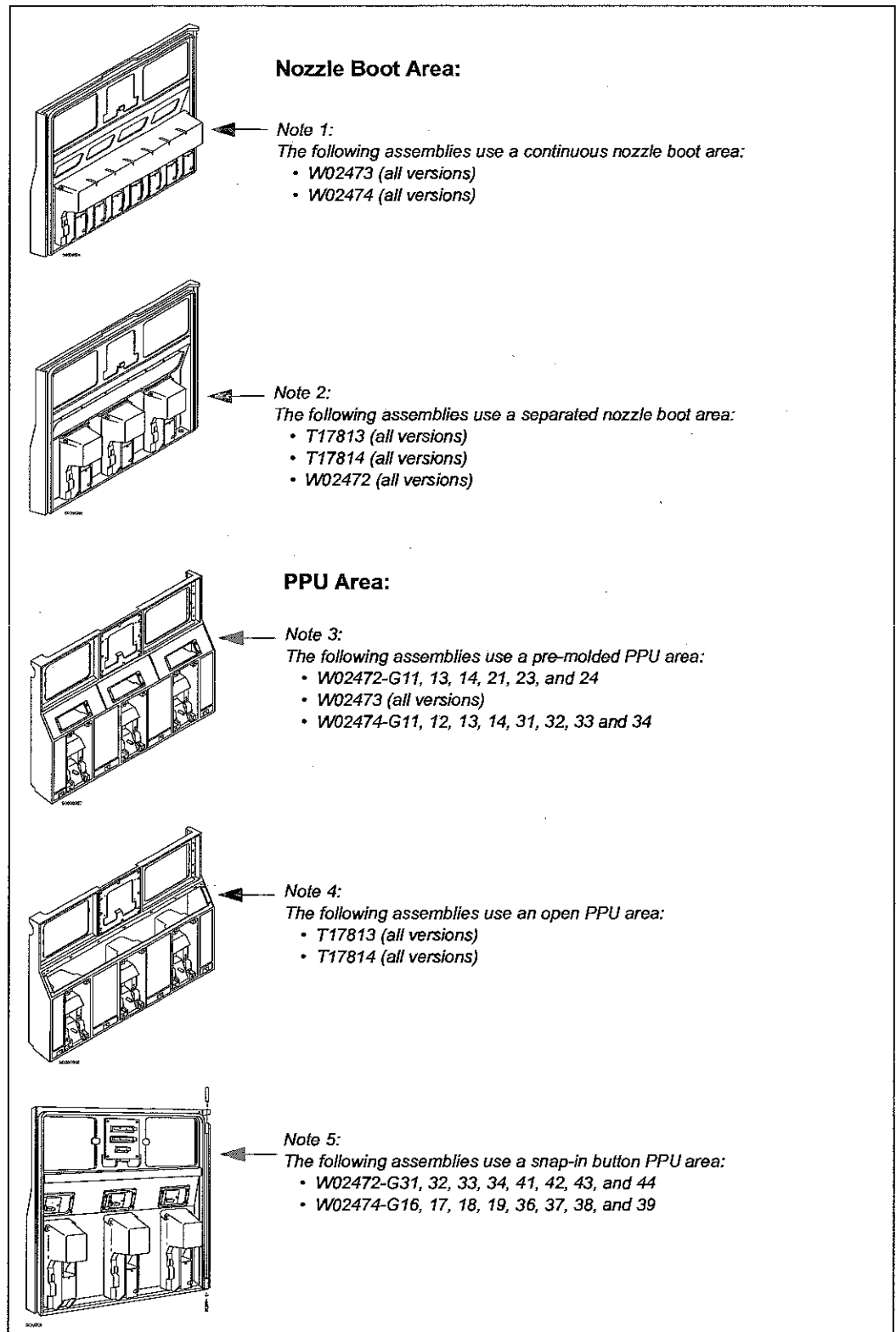
Main Access Door Assemblies

Unit Type	Color	Lighted Assembly?	Current Part	Previous Part
48" MPD 2-Grade, 3-Grade, and 6-Hose Blender (See Notes 1 and 3 on following page.)	Black	Yes	W02473-G11	W02473-G1
	Black	-	W02473-G21	-
	Gray (BP)	Yes	W02473-G12	-
	Gray (BP)	-	W02473-G22	-
	Gray (Chevron)	Yes	W02473-G13	-
	Gray (Chevron)	-	W02473-G23	-
	Blue	Yes	W02473-G14	-
	Blue	-	W02473-G24	-
48", 3-Grade PPU (See Notes 1 and 4 on following page.)	Black	Yes	W02474-G12	W02474-G2
	Black	-	W02474-G32	-
48", 4-Grade PPU (See Notes 1 and 4 on following page.)	Black	Yes	W02474-G13	W02474-G3
	Black	-	W02474-G33	-
	Gray (BP)	Yes	W02474-G14	W02474-G4
	Gray (BP)	-	W02474-G34	-
	Blue	Yes	W02474-G15	-
	Blue	-	W02474-G35	-
48" Selectable Blender and MPD Single-Hose (See Notes 2 and 4 on following page.)	Black	Yes	T17813-G11	T17813-G1
	Black	-	T17813-G21	-
	Gray (Chevron)	Yes	T17813-G12	-
	Gray (Chevron)	-	T17813-G22	-
48" Selectable Blender (See Notes 1 and 4 on following page.)	Black	Yes	W02474-G11	W02474-G1
	Black	-	W02474-G31	-
48" Blender (Snap-In Button Design) (See Notes 1 and 5 on following page.)	Black	Yes	W02474-G16	-
	Black	-	W02474-G36	-
	Gray (Chevron)	Yes	W02474-G17	-
	Gray (Chevron)	-	W02474-G37	-
	Gray (BP)	Yes	W02474-G18	-
	Gray (BP)	-	W02474-G38	-
	Blue	Yes	W02474-G19	-
	Blue	-	W02474-G39	-
36" Dual or Quad (See Notes 2 and 3 on following page.)	Black	Yes	W02472-G11	W02472-G1
	Gray (Chevron)	Yes	W02472-G13	-
	Blue	Yes	W02472-G14	-
	Black	-	W02472-G21	-
	Gray (Chevron)	-	W02472-G23	-
	Blue	-	W02472-G24	-
36" Blender (See Notes 2 and 4 on following page.)	Black	Yes	T17814-G11	T17814-G1
	Black	-	T17814-G21	-

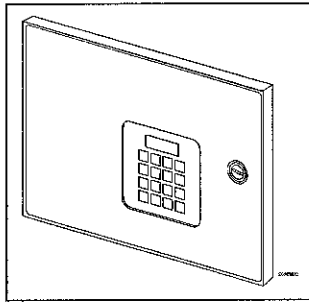
Main Access Door Section

Unit Type	Color	Lighted Assembly?	Current Part	Previous Part
36" Blender (Snap-In Button Design) (See Notes 2 and 5 on following page)	Black	Yes	W02472-G31	-
	Black	-	W02472-G41	-
	Gray (BP)	Yes	W02472-G32	-
	Gray (BP)	-	W02472-G42	-
	Gray (Chevron)	Yes	W02472-G33	-
	Gray (Chevron)	-	W02472-G43	-
	Blue	Yes	W02472-G34	-
	Blue	-	W02472-G44	-

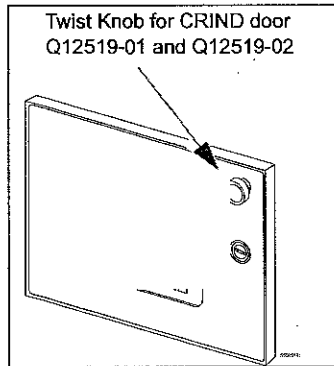
Main Access Door Assemblies (Continued)



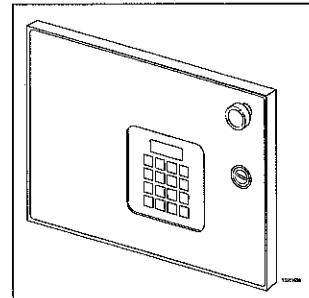
Pump Preset and Left Pump Stop Doors



1a. Customer Programmable Preset

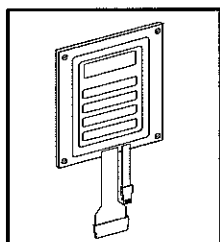
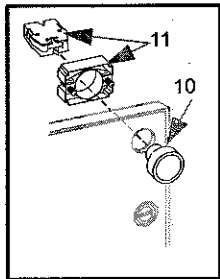
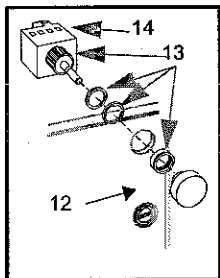


1b. Pump Stop only
(See Note below)



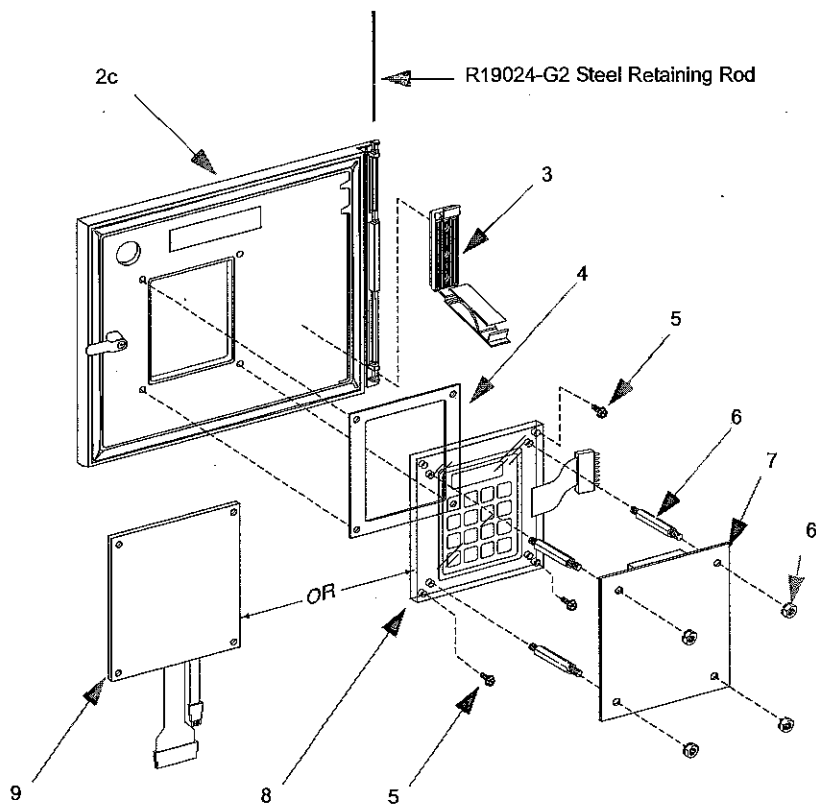
1c. Pump Stop and Customer Programmable Preset
(See Note below)

Note: Production for doors 1b and 1c has been discontinued since 10/96. Pump Stop button is now located on the Right option door, see Right Main Display, Pump Stop, and Call Button Option Door.



Front View Of
T19326-01

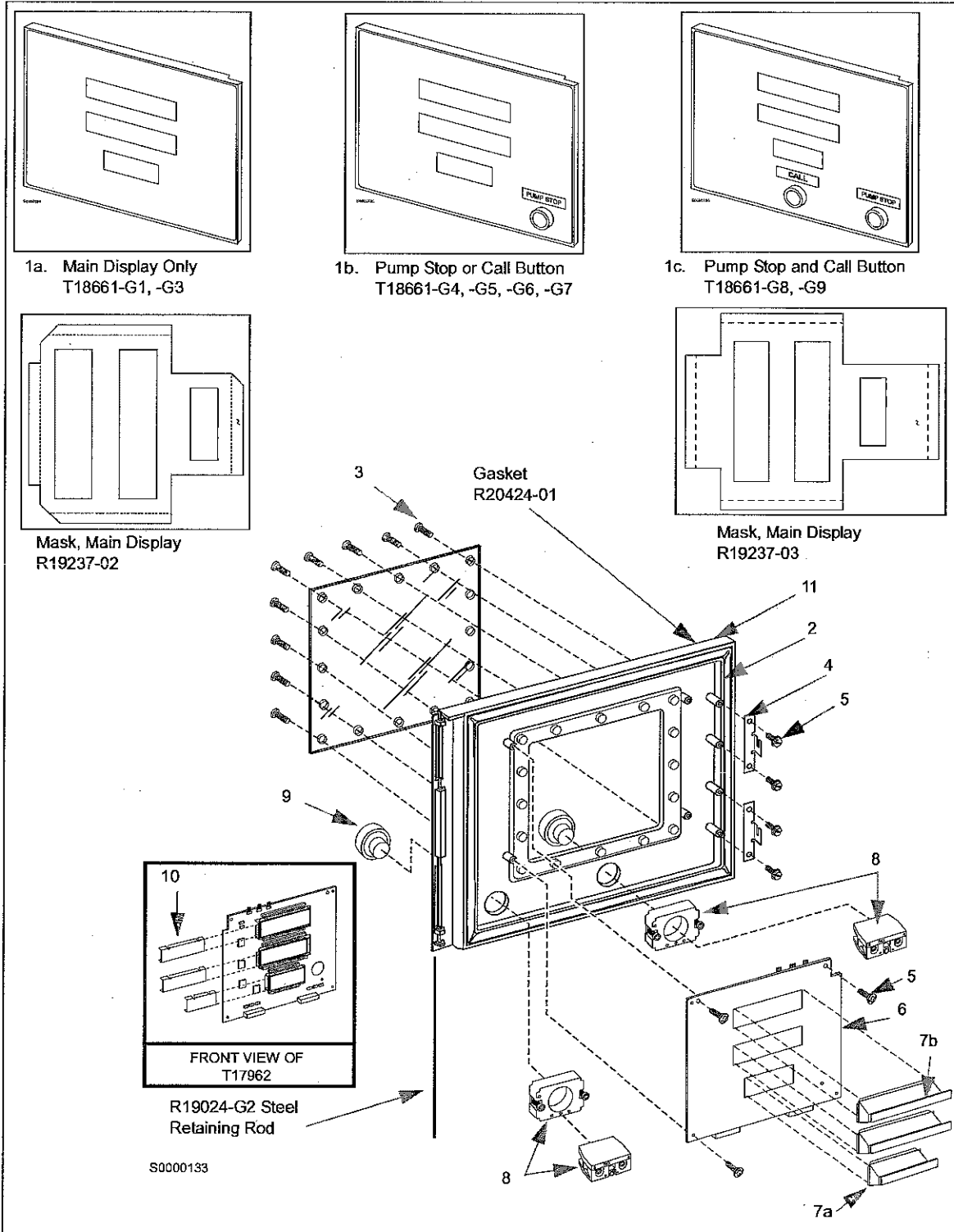
S0000129



Item #	Description	Current Part	Previous Part	Quantity
1	Option door assembly (See Note 1)			
1a	• Customer programmable preset	T17734-G2	-	1
1b	• Pump stop (See Note 2)	-	T17626-G3	1
1c	• Pump stop and customer programmable preset (See Note 2)	-	T17734-G4	1
1d	• Pump stop and five-button preset option door (not shown) (See Note 2)	-	T17734-G6	1
2	Doors (door only) (See Note 1)			
2a	• Door, customer programmable preset or pump stop and five-button preset (not shown)	T17498-05	T17501-01	1
2b	• Door, pump stop option only (not shown)	T18028-21	T18028-01	1
2c	• Door, pump stop and customer programmable preset option, black	T18028-22	T18028-02	1
3	Cable clamp	Q13459-01	Q11577-02	1
4	Programmable pump preset gasket	R19508-01	-	1
5	Screw, #6-20 x 1/2"	Q11677-26	-	4
-	Pump preset display assembly (includes parts 6 - 8)	R20267-G5	R20267-G4	1
6	Nut with external lock washer, #6-32	Q12068-02	-	4
7	Pump preset display printed circuit board	T17328-G1	-	1
8	Pump preset switch/faceplate assembly	R20266-G3	-	1
9	Switch, 5 button preset/pump stop switch	T19326-01	-	1
10	Pushbutton, flush head (red) (See Notes 2 and 3)	Q13453-02	-	1
11	Switch, contact block and base assembly (See Notes 2 and 3)	Q13453-01	-	1
12	Mushroom head, red	Q12696-04	-	1
13	Housing assembly	Q12696-03	-	1
14	Contact block	Q12696-02	-	1
<p>Notes: 1) - Quantities per option door.</p> <p>2) See Main Access Door Assemblies for right option doors.</p> <p>3) Production discontinued 10/96. Pump stop button now located on right option door. See Main Access Door Assemblies for 48" models, or Right Main Display, Pump Stop, and Call Button Option Door for 36" models.</p> <p>4) Parts still current on other assemblies.</p>				

Right Main Display, Pump Stop, and Call Button Option Door

Note: Used on 36" units only. For 48" unit right option doors, see Main Access Door Assemblies. For 48" unit, see Main Display Area.



Item #	Part Description	Current Part	Previous Part	Quantity
1	Right main display option door assembly (See Note 1)			
	• Black	T18661-G1	-	1
	• Gray (Chevron)	T18661-G3	-	1
	• Black (used with pump stop button)	T18661-G4	-	1
	• Gray (used with pump stop button)	T18661-G5	-	1
	• Black (used with call button)	T18661-G6	-	1
	• Gray (used with call button)	T18661-G7	-	1
	• Black (used with pump stop and call button)	T18661-G8	-	1
• Gray (used with pump stop and call button)	T18661-G9	-	1	
2	Main display option door (door only)			
	• Black	T18651-G1	-	1
	• Gray	T18651-G2	-	1
	• Black (used with pump stop or call button)	T18651-G11	-	1
	• Gray (used with pump stop or call button)	T18651-G12	-	1
	• Black (used with pump stop and call button)	T18651-G21	-	1
• Gray (used with pump stop and call button)	T18651-G22	-	1	
3	Screw, #6-19 x 3/8"	Q12011-13	-	16
4	Door latch	R19244	-	2
5	Screw, #6-20 x 3/8"	Q11677-24	-	7
6	Main display printed circuit board (See Note 3)	T17962-G1	-	1
7 7a 7b	Reflector assembly			
	• 0.7 inch	T17622-G5	-	1
	• 1.0 inch	T17622-G6	-	2
8	Contact block and base assembly			
	• Pump stop	Q13453-01	-	(See Note 4)
	• Call button	Q13453-06	-	(See Note 4)
9	Push button			
	• Pump stop button (red)	Q13453-02	-	(See Note 4)
	• Call button (green)	Q13453-08	-	(See Note 4)
10	Main display filter kit (includes two 1.0" filters and one 0.7" filter)			
	• Orange	K93685-G9	-	1
	• White (no longer available)	-	K93685-G10	1
	• Yellow (no longer available, use K93685-G9)	-	K93685-G11	1
11	Door Number (Blank Door)	T18662-G1	-	1
12	Mask, Main Display	R19237-02	-	1
		R19237-03	-	

Notes: 1) - Quantities per option door.

2) T18661-GX, main display option door assembly, includes items 2, 5, 6, 7, and 8.

3) T18651-XX, main display option door, includes items 3 and 4.

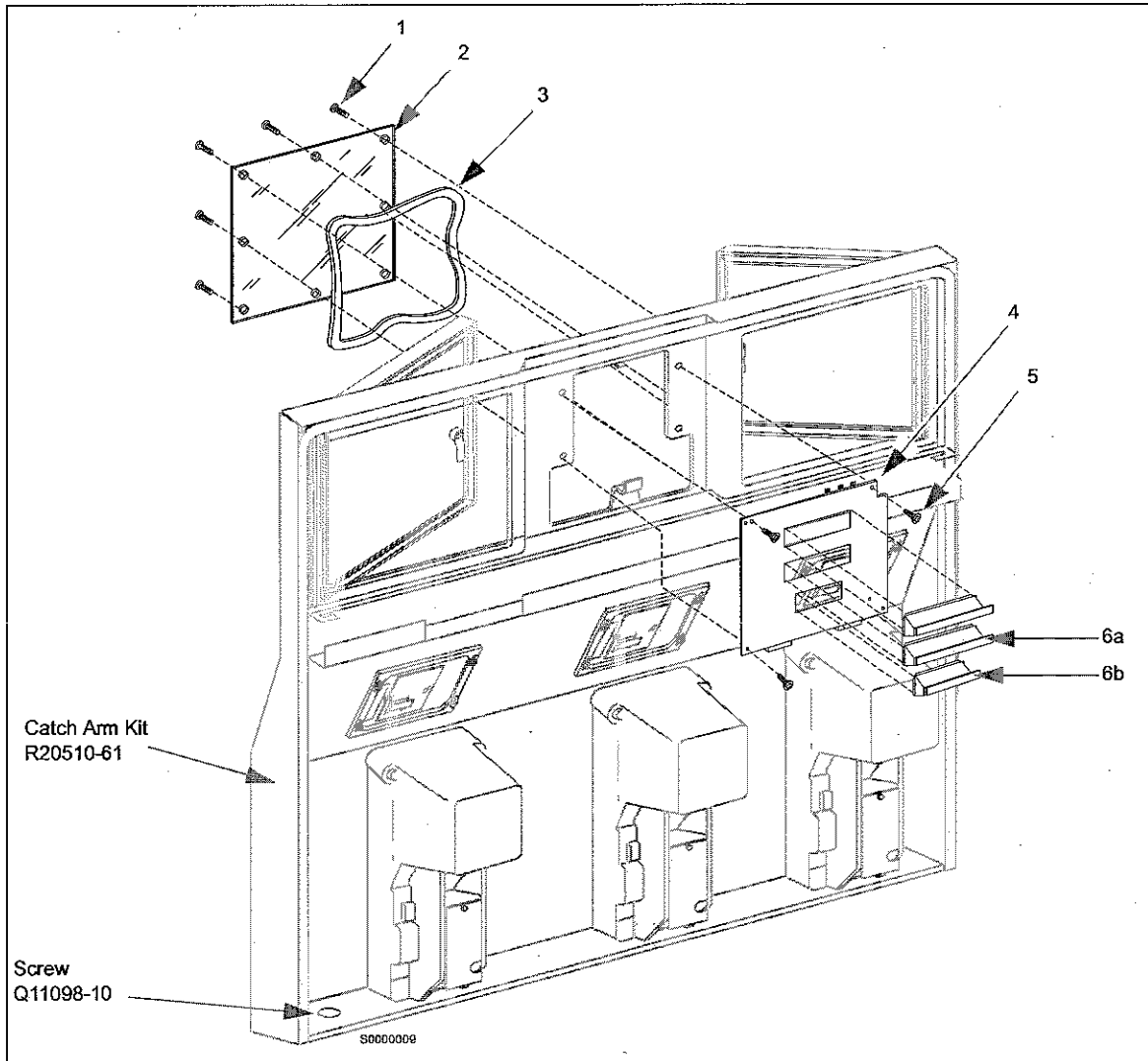
4) T17962-G1, main display printed circuit board assembly, includes item 9.

5) Quantity varies per assembly.

6) T18662-XX, where XX is the color of the blank door.

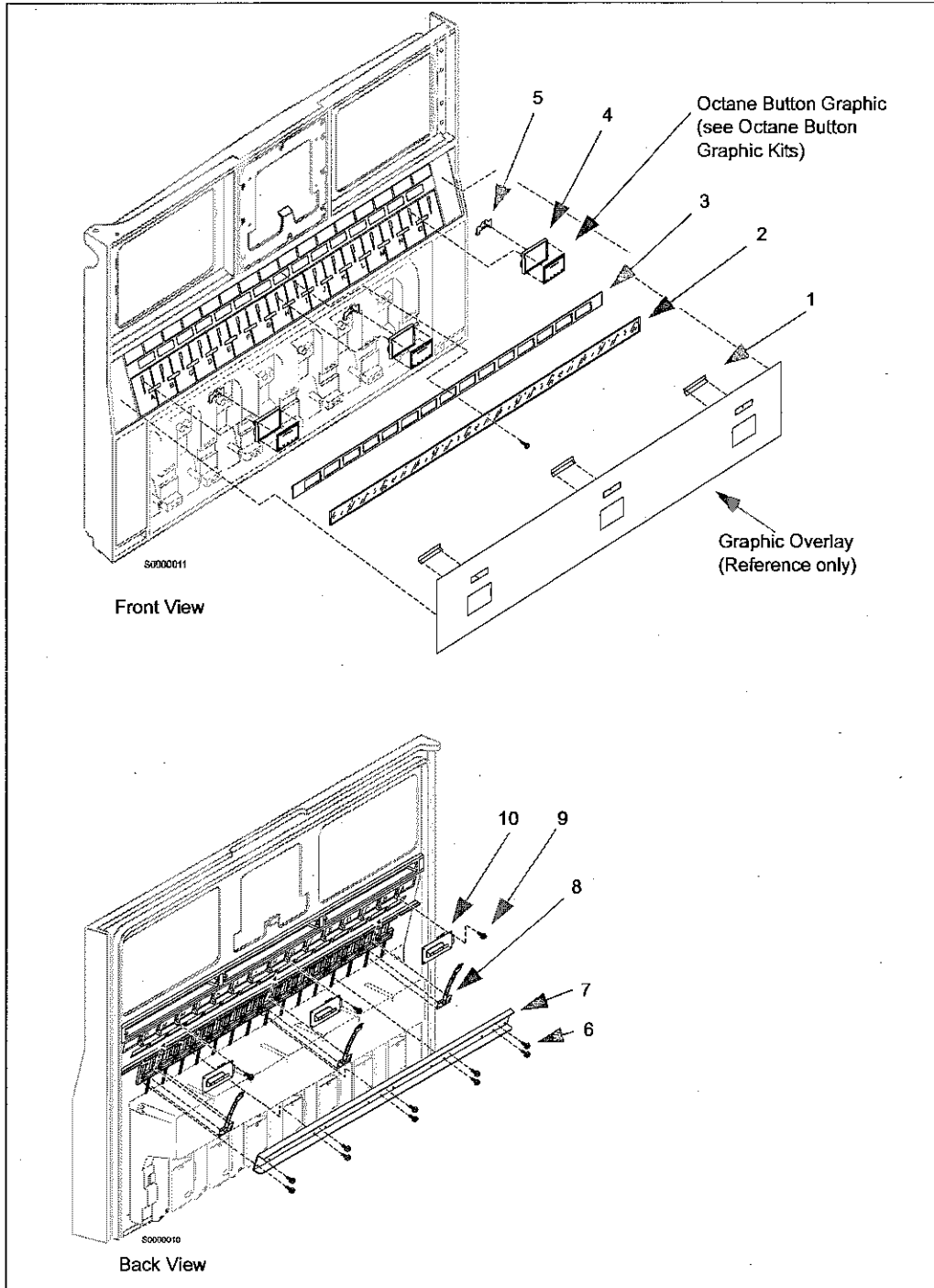
Main Display Area

Note: Used on 48" units only. For 36" units, see Right Main Display, Pump Stop, and Call Button Option Door.



Item #	Part Description	Current Part	Previous Part	Quantity
1	Screw, #6-19 x 3/8"	Q12011-13	-	16
2	Main display window (narrow frame only)*	N23121-03	-	1
3	Main display window gasket** (with frame)	R20424-01	R20375-01	1
4	Main display printed circuit board (See Note 1)	T17962-G1	-	1
5	Screw, #6-20 x 3/8"	Q11677-24	-	3
6	Reflector assembly			
6a	• 0.7 inch	T17622-G5	-	1
6b	• 1.0 inch	T17622-G6	-	2
7	Main display filter kit (includes two 1.0" filters and one 0.7" filter)			
	• Orange	K93685-G9	-	1
	• White (no longer available)	-	K93685-G10	1
	• Yellow (no longer available, use R93685-G9)	-	K93685-G11	1
<p>Notes: 1) * Main Display Kit with Frame is K93686-G1.</p> <p>2) - Quantities per main access door. See "Main Access Door Assemblies" on page 2-3.</p> <p>3) T17962-G1, main display printed circuit board assembly, includes item 7.</p> <p>4) ** Mask is R19237-03.</p>				

PPU Area - Snap-in Grade Select Button Door

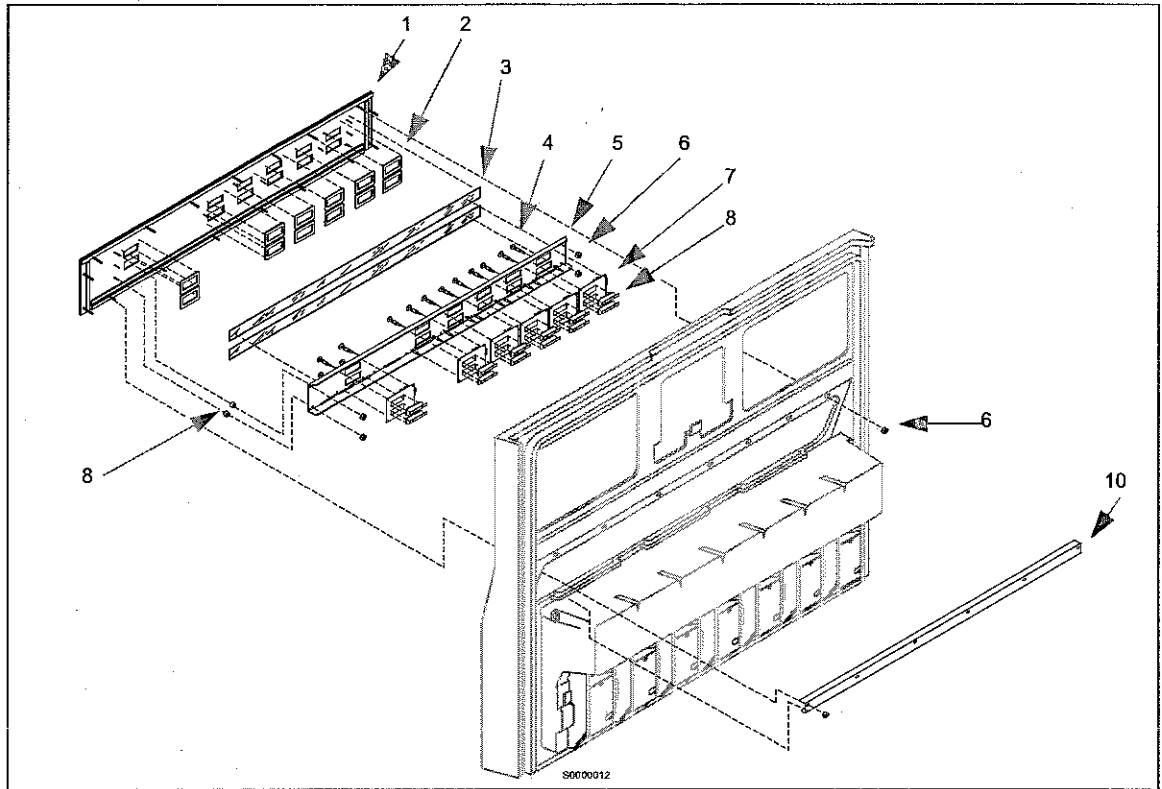


Item #	Description	Current Part	Previous Part	Quantity (Note 1)
-	Snap-in grade select button bezel door (See Note 2)			
	• 48" frame (See Note 2)	W02474-GXX	-	1
	• 36" frame (See Note 2)	W02472-GXX	-	1
1	Weather shield	R20447-01	-	(See Note 3)
2	PPU lens assembly (48" frame)*	R20395-G01	-	1
3	Adhesive strip (48" frame)†	R20436-01	-	1
4	Octane button	R20373-01	-	(See Note 3)
5	Octane button spring	R20385-01	-	(See Note 3)
6	Screw, #8-32 x 3/8"	K85736-06	Q11677-24	10
7	Switch backing bracket for 48"	W03681-01	-	1
	Switch backing bracket for 36"	W03681-02		
	Gasket	Q11899-15	-	1
8	Membrane selectable blender switch**	T19684-02	-	(See Note 3)
9	Screw, #6-20 x 3/8"	Q11677-24	-	(See Note 3)
10	Printed circuit board PPU display	T18699-G2	-	(See Note 3)
	Reflector assembly	T17622-G8	-	(See Note 3)
<p>Notes: 1) * PPU Lens (36" frame) is R20395-G02.</p> <p>2) † Adhesive strip (36" frame) is R20436-02.</p> <p>3) Quantities per door.</p> <p>4) See Main Access Door Assemblies for more information.</p> <p>5) Quantity varies per model.</p> <p>6) ** Kit with screws and new T19684-02 membrane switch is K94555-01.</p>				

Octane Button Graphic Kits

Kit Number	Brand	Octane Ratings/Label
R60030-G1	Generic	All Ratings
R60030-G2		Diesel
R60030-G3		87, 89, 92
R60030-G4		87, 89, 92, Diesel
R60030-G5		Diesel
R60030-G6		Diesel #2
R60030-G7		Diesel Fuel
R60030-G8		Luk Oil, Press Here to Str
R60030-G9		Diesel (no other verbage)
R60030-G10		85 Rating
R60030-G11		85.5 Rating
R60030-G12		100 Octane
R60030-G13		Octane 110
R60030-G14		87, 89, 91, Diesel
R60030-G15		87, 89, 91, Diesel #2
R60030-G16	7-11	Kit
R60030-G17	Valero	Kit
R60030-G18	Generic	93 Octane

PPU Area - Dual PPU Pricing



48" Dual PPU Faceplate Assemblies

Unit Description	Current Part
5+1, Side A (1, 2, 3, 4, 5, 6)	T19183-G1
5+1, Side B (6, 1, 2, 3, 4, 5)	T19183-G5
4+1, Side A (1, 2, 3, 4, 6)	T19183-G2
4+1, Side B (6, 1, 2, 3, 4)	T19183-G6
3+1, Side A (1, 2, 3, 6)	T19183-G3
3+1, Side B (6, 3, 4, 5)	T19183-G7
3+1, Side A (1, 3, 5, 6)	T19183-G4
3+1, Side B (6, 1, 3, 5)	T19183-G8
5+0 (1, 2, 3, 4, 5)	T19154-G1
4+0 (1, 2, 3, 4)	T19154-G2
3+0 (1, 3, 5)	T19154-G3

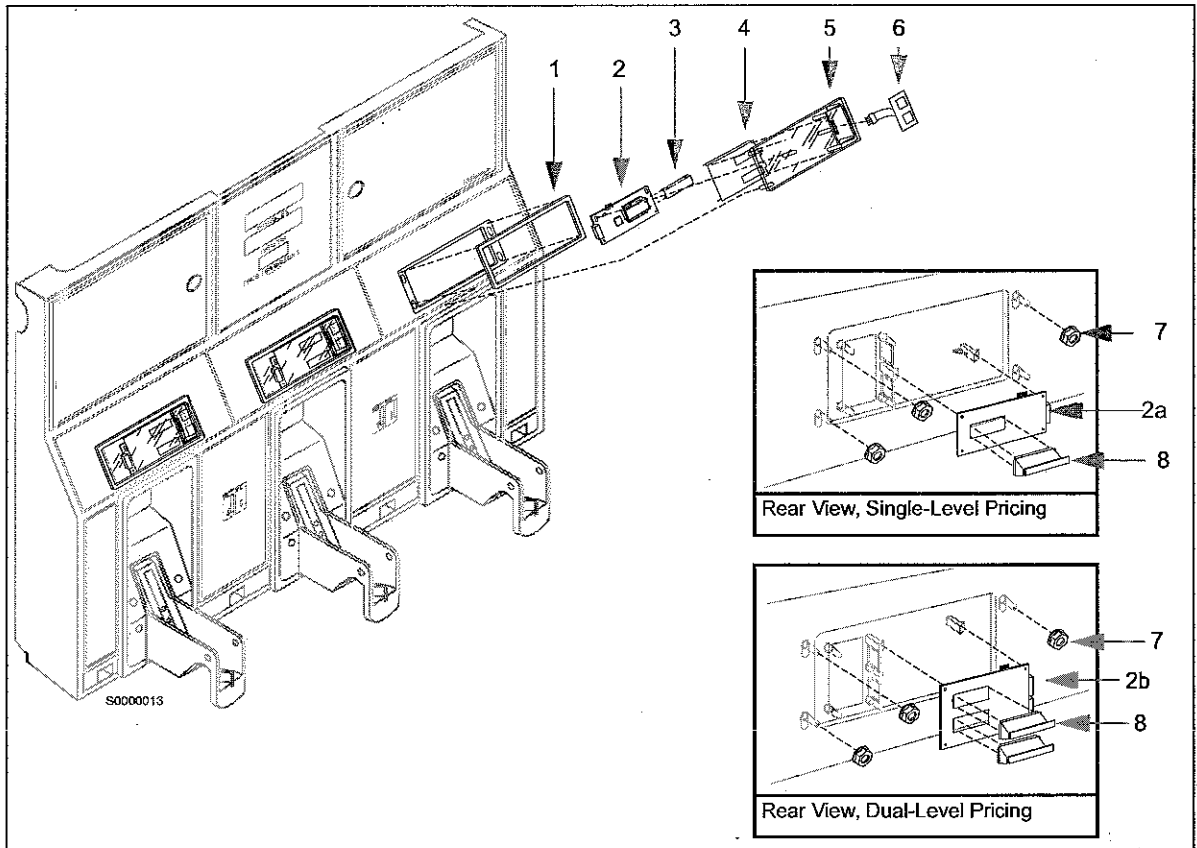
36" Dual PPU Faceplate Assemblies

Unit Description	Current Part
5+0 (1, 2, 3, 4, 5)	T19154-G1
4+0 (1, 2, 3, 4)	T19154-G2
3+0 (1, 3, 5)	T19154-G3

Main Access Door Section

Item #	Description	Current Part	Previous Part	Quantity (48")	Quantity (36")
1	48" Faceplate and membrane assembly				
	• X+0, side A	T19277-G2	-	1	-
	• X+0, side B	T19277-G3	-	1	-
	• X+1	T19277-G4	-	1	-
	36" Faceplate and membrane assembly	T19277-G1	-	-	1
2	PPU gasket	R18689-01	-	(See Note 1)	(See Note 1)
3	PPU lens				
	• 48"	T17774-04	-	2	-
	• 36"	T17774-03	-	-	2
4	Printed circuit board support	Q10651-38	-	(See Note 1)	(See Note 1)
5	48" Support bracket				
	• X+0 (side A), X+1 (sides A and B)	T19570-01	-	1	-
	• X+0 (side B)	T19570-01	-	1	-
	36" Support bracket	T19582-01	-	-	1
6	Nut, #4-40	Q12068-01	-	(See Note 1)	(See Note 1)
7	PPU display board	T18705-G2	T18705-G1 T17539-G2	(See Note 1)	(See Note 1)
	PPU display filter sets				
	• Orange	K93685-G5	-	(See Note 1)	(See Note 1)
	• White	K93685-G6	-	(See Note 1)	(See Note 1)
	• Yellow (no longer available, use R93685-G5)	-	K93685-G7	(See Note 1)	(See Note 1)
8	Reflector assembly	T17622-G8	T17622-G4	(See Note 1)	(See Note 1)
9	Round spacer, 1/4" x 1/8"	Q10213-22	-	(See Note 1)	(See Note 1)
10	PPU board brace				
	• 48"	T17807-01	-	1	-
	• 36"	T17807-02	-	-	1
Notes: 1) - Quantities per faceplate assembly.					
2) Quantity varies with model.					

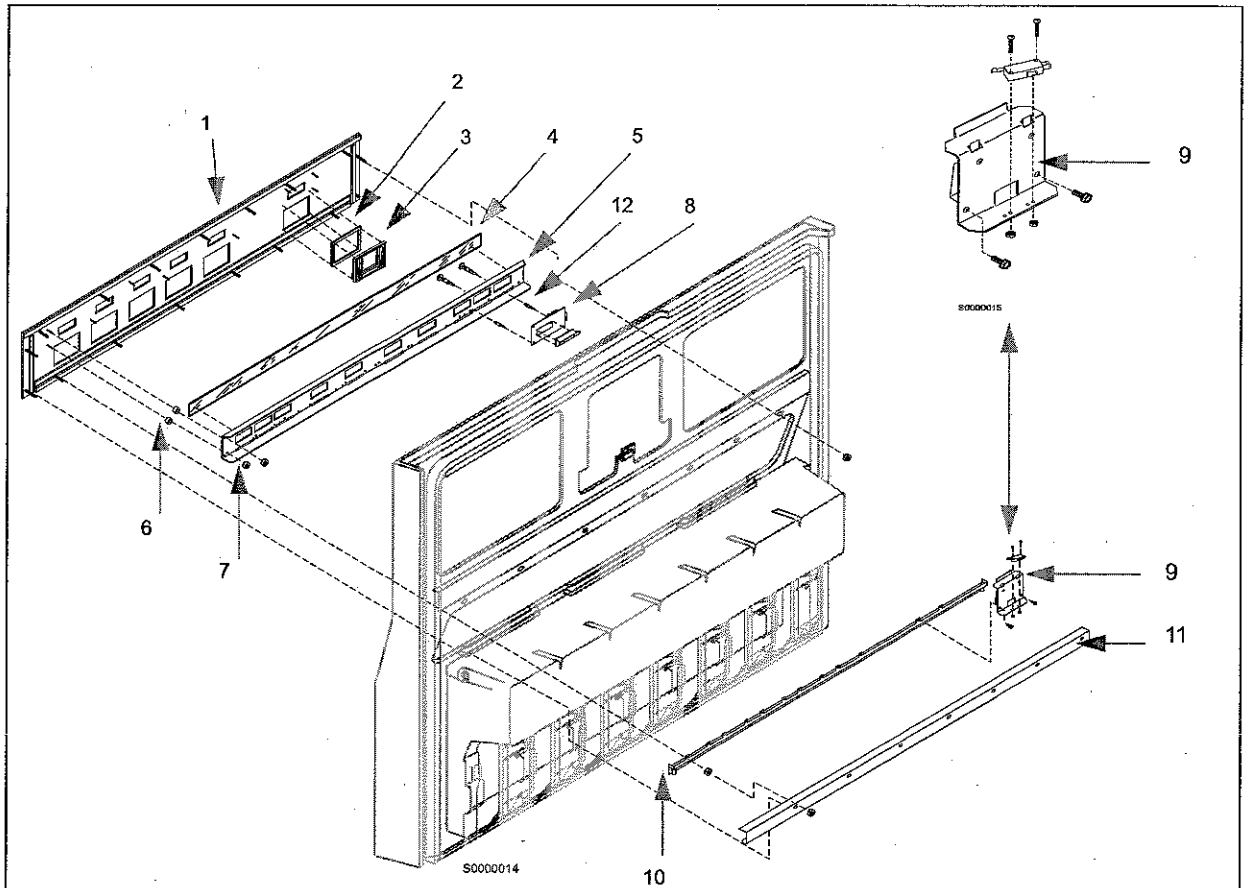
PPU Area - MPD, Quad, Dual, Blender Six-Hose, and Blender Single-hose



Main Access Door Section

Item #	Description	Current Part	Previous Part	Quantity
1	PPU window gasket	N23142-01	-	1
2	PPU display board assemblies			
2a	• Single level, without display filters	T18699-G2	T18699-G1 T17539-G3	1
2b	• Dual level, without display filters	T18705-G2	T18705-G1 T17539-G2	1
	LCD display, 0.5"	Q12446-03	-	(See Note 1)
3	PPU display filter set kits (order one per display board)			
	• Orange	K93685-G5	-	1
	• White	K93685-G6	-	1
	• Yellow (no longer available, use K93685-G5)	-	K93685-G7	1
4	PPU display mask	T17830-01	-	1
5	Window, PPU display			
	• With filler plate	T17635-G1	T17635-02	1
	• Without filler plate	T17635-G2	T17635-02	1
6	Switch, single or dual level PPU			
	• Without LED	T19370-12	T19370-02	1
	• With LED (See Note 3)	-	T19370-04 R19179-03 R19179-02	1
	Switch, center position			
	• Without LED	K93710-05	-	1
	• With LED (See Note 3)	-	T19370-05 R19179-01	1
	Filler plate, PPU switch	N23143	-	1
7	Nut, self-thread 1/4"	Q10059-08	-	1
8	Reflector assembly, 0.5" displays	T17622-G8	T17622-G4	(See Note 1)
Not Shown:				
-	PPU overlay (See Note 2)			
	• Single-level	R19431-XX	-	(See Note 1)
	• Dual-level (cash/credit)	R19432-XX	-	(See Note 1)
<p><i>Notes: 1) Quantity varies with model.</i></p> <p><i>2) Order-entry item. Specify the color and graphics when ordering.</i></p> <p><i>3) Membrane switches with LEDs are no longer offered or spared.</i></p>				

PPU Area - Soda Buttons



Item #	Description	Current Part	Previous Part	Quantity
1	Faceplate	see Soda Button Panel Assembly Numbers	-	1
2	Grade select gasket	R18842-01	-	(See Note 2)
3	Grade select button			
	• Plastic (obsolete, must use Metal below)	-	T17286-01	(See Note 2)
	• Metal	T19596-01	-	(See Note 2)
4	PPU lens			
	• 48"	T17774-04	-	1
	• 36"	T17774-03	-	1
5	Upper support bracket			
	• 48"	T17874-01	-	1
	• 36"	T17779-01	-	1
6	Flat washer	N16599-78	-	(See Note 2)
7	Nut, #8-32	Q11890-02	Q10213-12	(See Note 2)

Main Access Door Section

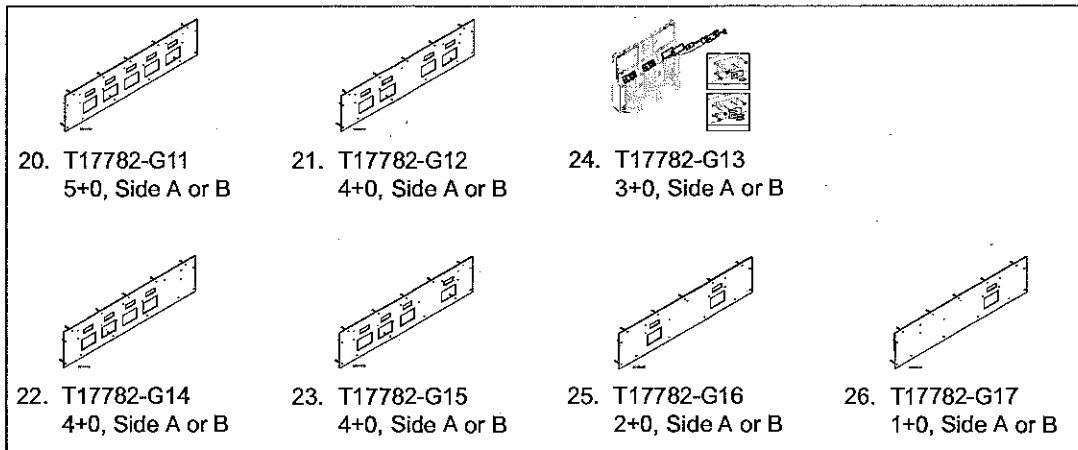
Item #	Description	Current Part	Previous Part	Quantity	
8	Display board, single level PPU (without display filters, includes 7)	T18699-G1	-	(See Note 2)	
	Display, LCD 0.5"	Q12446-03	-	(See Note 2)	
	Reflector assembly, 0.5" display	T17622-G8	-	(See Note 2)	
	Mask, PPU	N23179-01	-	(See Note 2)	
	PPU display filter set kits (order one per display board)				
	• Orange	K93685-G5	-	(See Note 2)	
	• White	K93685-G6	-	(See Note 2)	
• Yellow (no longer available, use R93685-G5)	-	K93685-G7	(See Note 2)		
9	Grade select switch bracket assembly	T20347-G1	-	(See Note 2)	
10	Lower support bracket				
	• 48", Diesel right	T17809-G1	-	1	
	• 48", Diesel left	T17809-G2	-	1	
	• 36", Right or Left	T17808-G1	-	1	
11	Brace, PPU board				
	• 48"	T17807-01	-	1	
	• 36"	T17807-02	-	1	
12	Circuit board support	Q10651-32	-	(See Note 2)	
<i>Not Shown:</i>					
-	Drain tubing	Q12518-01	-	2	
-	Octane card kit, 86-94				
	• For use with plastic button T17286-01 (obsolete) (see "for use with metal button T19596-01" below)	-	K93358-03	1	
	• For use with metal button T19596-01	R60030-GXX (see Octane Button Graphic Kits)	R20322-01	1	
-	Spacer	K87404-03	-	(See Note 2)	
-	Gasket, PPU board	R18689-01	-	(See Note 2)	
-	Teflon strip	Q12054	-	(See Note 2)	
Notes: 1) - Quantities per main access door.					
2) Quantity varies with model.					

Soda Button Panel Assembly Numbers

Item #	Frame Size	Blender Type	Side	Button Positions						Panel Assembly (Factory-Installed)	Panel Assembly (Conversion Kit)	Faceplate Assembly	Faceplate Only
1	48"	5+1	A	1	2	3	4	5	6	T17618-G520	T18957-G01	T17777-G11	T17810-G11
2	48"	5+1	B	6	1	2	3	4	5	T17618-G524	T18957-G02	T17777-G15	T17811-G11
3	48"	4+1	A	1	2	-	4	5	6	T17618-G522	T18957-G05	T17777-G13	T17810-G13
4	48"	4+1	B	6	1	2	-	4	5	T17618-G526	T18957-G06	T17777-G17	T17811-G13
5	48"	4+1	A	1	2	3	4	-	6	T17618-G514	T18957-G13	T17777-G25	T17810-G18
6	48"	4+1	B	6	-	2	3	4	5	T17618-G515	T18957-G14	T17777-G26	T17811-G18
7	48"	3+1	A	1	-	3	-	5	6	T17618-G523	T18957-G09	T17777-G14	T17810-G14
8	48"	3+1	B	6	1	-	3	-	5	T17618-G527	T18957-G10	T17777-G18	T17811-G14
9	48"	3+1	A	1	2	3	-	-	6	T17618-G510	T18957-G15	T17777-G21	T17810-G16
10	48"	3+1	B	6	-	-	3	4	5	T17618-G511	T18957-G16	T17777-G22	T17811-G16
11	48"	3+1	A or B	-	-	3	4	5	6	T17618-G531	T18957-G18	T17777-G28	T17810-G20
12	48"	5+0	A	1	2	3	4	5	-	T17618-G521	T18957-G03	T17777-G12	T17810-G12
13	48"	5+0	B	-	1	2	3	4	5	T17618-G525	T18957-G04	T17777-G16	T17811-G12
14	48"	4+0	A	1	2	3	4	-	-	T17618-G512	T18957-G07	T17777-G23	T17810-G17
15	48"	4+0	B	-	-	2	3	4	5	T17618-G513	T18957-G08	T17777-G24	T17811-G17
16	48"	3+0	A	1	2	3	-	-	-	T17618-G528	T18957-G11	T17777-G19	T17810-G15
17	48"	3+0	B	-	-	-	3	4	5	T17618-G529	T18957-G12	T17777-G20	T17811-G15
18	48"	3+0	A or B	1	-	3	-	5	-	T17618-G530	T18957-G17	T17777-G27	T17810-G19
19	48"	3+0	B	-	1	-	3	-	5	T17618-G532	T18957-G19	T17777-G29	T17811-G19
20	36"	5+0	A or B	1	2	3	4	5		T17619-G503	T19422-G01	T17782-G11	T17812-G11
21	36"	4+0	A or B	1	2	-	4	5		T17619-G504	-	T17782-G12	T17812-G2
22	36"	4+0	A or B	1	2	3	4	-		T17619-G506	T19422-G02	T17782-G14	T17812-G4
23	36"	4+0	A or B	1	2	3	-	5		T17619-G507	T19422-G04	T17782-G15	T17812-G5
24	36"	3+0	A or B	1		3		5		T17619-G505	T19422-G03	T17782-G13	T17812-G3
25	36"	2+0	A or B		2		4			T17619-G508	T19422-G05	T17782-G16	T19953-G2
26	36"	1+0	A or B				4			T17619-G509	T19422-G06	T17782-G17	T19953-G1

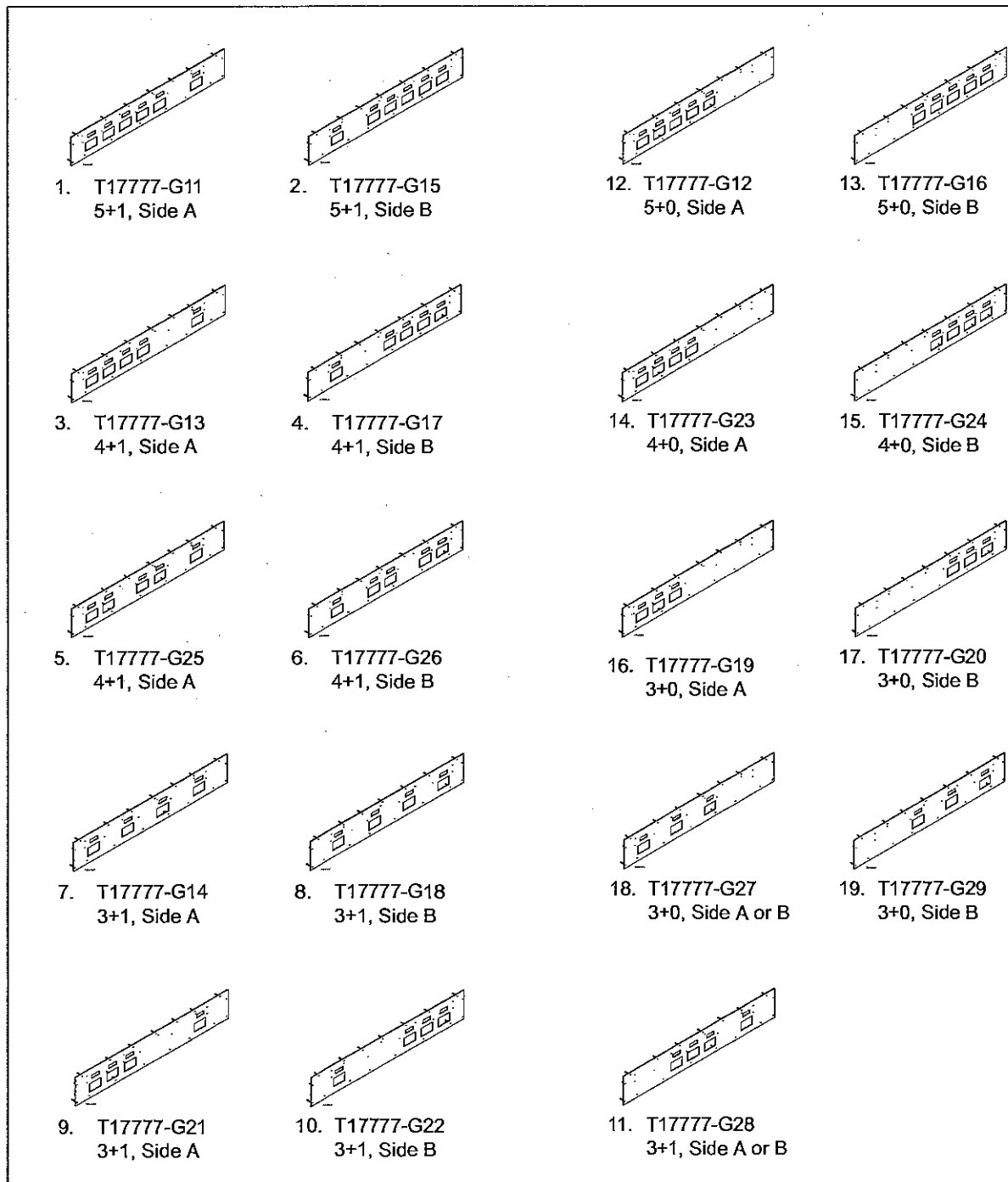
Notes: 1) Soda Button Panel Assemblies - 36" Units.

2) Listed by Faceplate Assembly part numbers. See Soda Button Panel Assembly Numbers above for additional information.

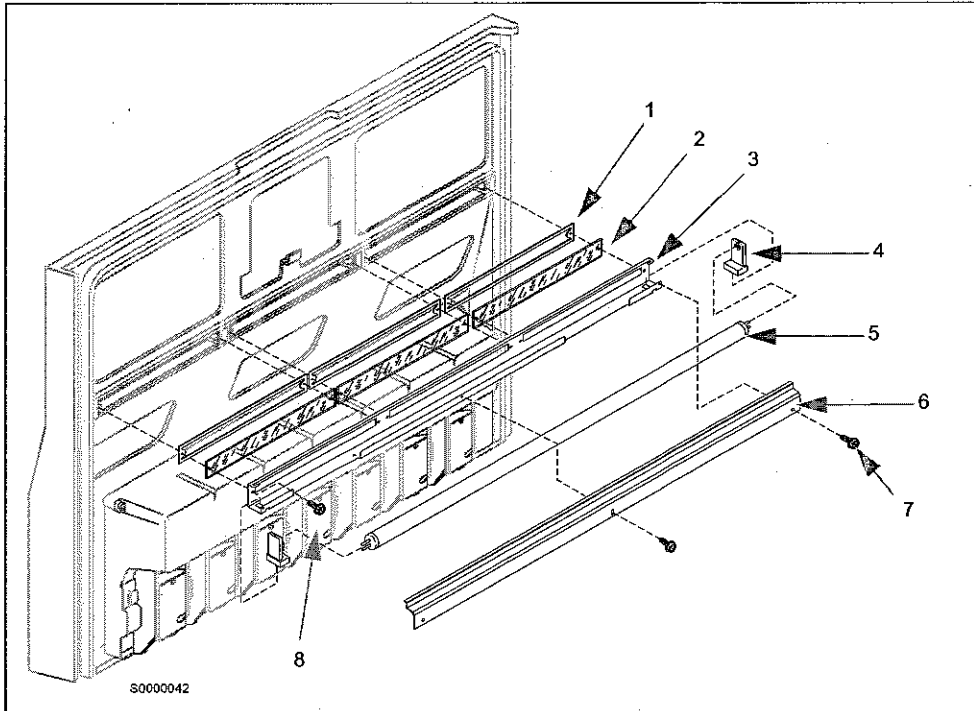


Soda Button Panel Assemblies - 48" Units

Note: Listed by Faceplate Assembly part numbers. See Soda Button Panel Assembly Numbers for additional information.



Brand Panel Lighting



Item #	Description	Current Part	Previous Part	Quantity
1	Gasket, Lamp Window	N23136-01	-	(See Note 1)
2	Window, Lamp	N23122-01	-	(See Note 1)
3	Lamp Channel (See Note 2)			
	• 48" Frame	T17974-02	T17974-01	1
	• 36" Frame	T17975-02	T17975-01	1
4	Pressure Lock Lamp Holder (See Note 2)	K87111	-	2
	Screw #6-32 x 1/2" (See Note 2)	K85736-04	-	(See Note 1)
5	Lamp, Fluorescent (See Note 2)			
	• 48" Frame	Q10878-04	-	1
	• 36" Frame	Q10878-03	-	1
6	Lamp Channel Reflector (See Note 2)			
	• 48" Frame	T17976-01	-	1
	• 36" Frame	T17977-01	-	1
7	Screw #10-32 x 1/2"	K85736-15	-	(See Note 1)
8	Screw #6-20 x 5/8" (See Note 2)	Q11677-28	-	(See Note 1)
Not Shown:				
-	Nut #10-32	Q11890-03	-	(See Note 1)
-	Backlit Brand Panel for MPD Three-Grade and Blender Six-Hose (See Note 3)	T18680-G1	-	1
-	Backlit Brand Panel For MPD Four-Grade and MPD Single-Hose and Blender Single-Hose (See Note 3)	T17880-G1	-	1
-	Backlit Brand Panel For Dual and Quad (See Note 3)	T17821-G1	-	1

Item #	Description	Current Part	Previous Part	Quantity
-	Graphic Panel for T18680 and T17821 (See Note 4)	R15474-XXX	-	(See Note 1)
-	Graphic Panel for T17880 (See Note 4)	R19503-XXX	-	4
-	Lamp Channel (See Note 2)			
-	• 48" Frame	-	T18664-01	1
-	• 36" Frame	-	T18670	1
-	Backlight Reflector Assembly (includes starter and lamp) (See Note 2)	-	T18691-G1	(See Note 1)
-	Lamp, Fluorescent (See Note 2)	-	Q10878-02	(See Note 1)
-	Starter, Lamp (See Note 2)	-	Q12580-01	(See Note 1)

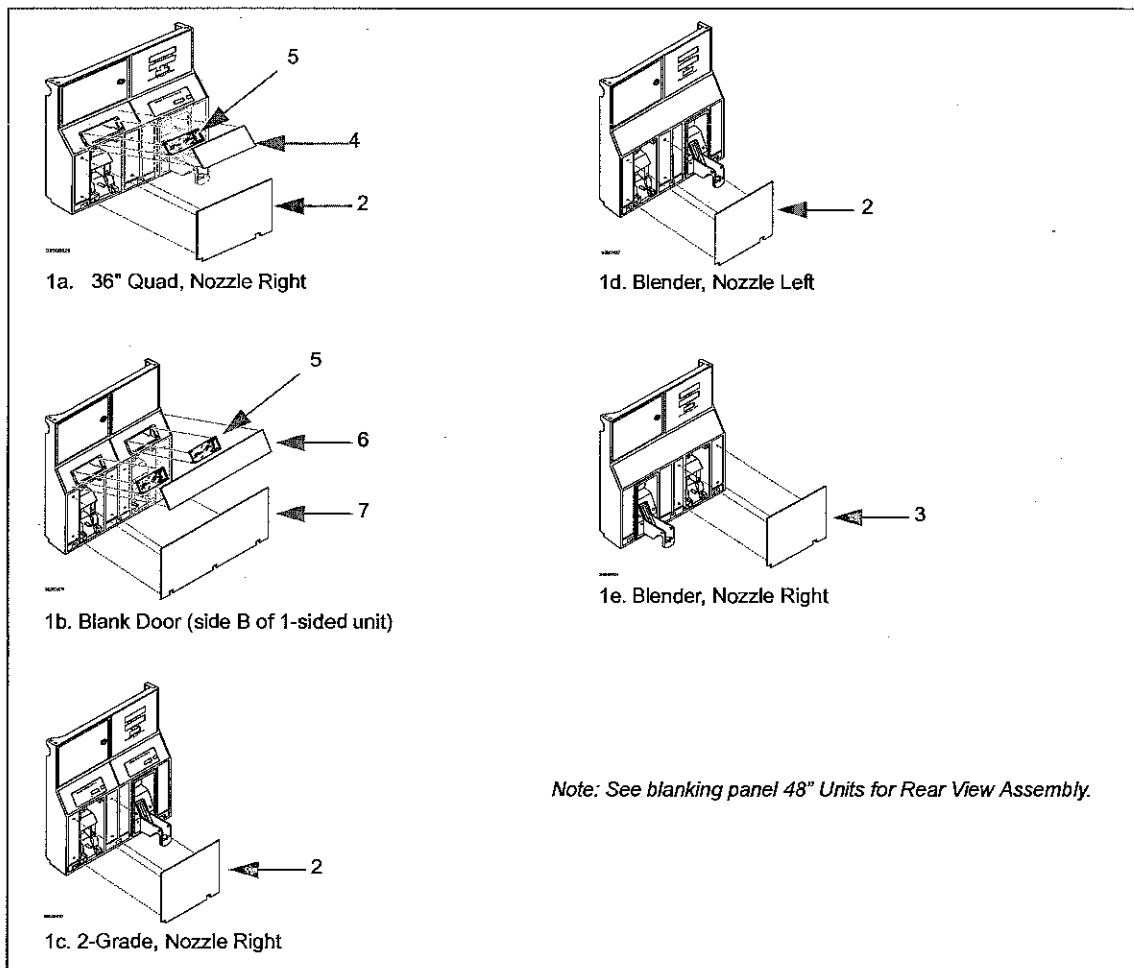
Notes: 1) Quantity varies with model.

2) Current and previous parts cannot replace each other. Used from 02/91 to 05/92.

3) Not available on Blenders X+1, X+0 (48" and 36" frames), MPD Single-Hose with soda buttons, or models with dual level PPU's.

4) Order entry item and specify the color and graphics while ordering.

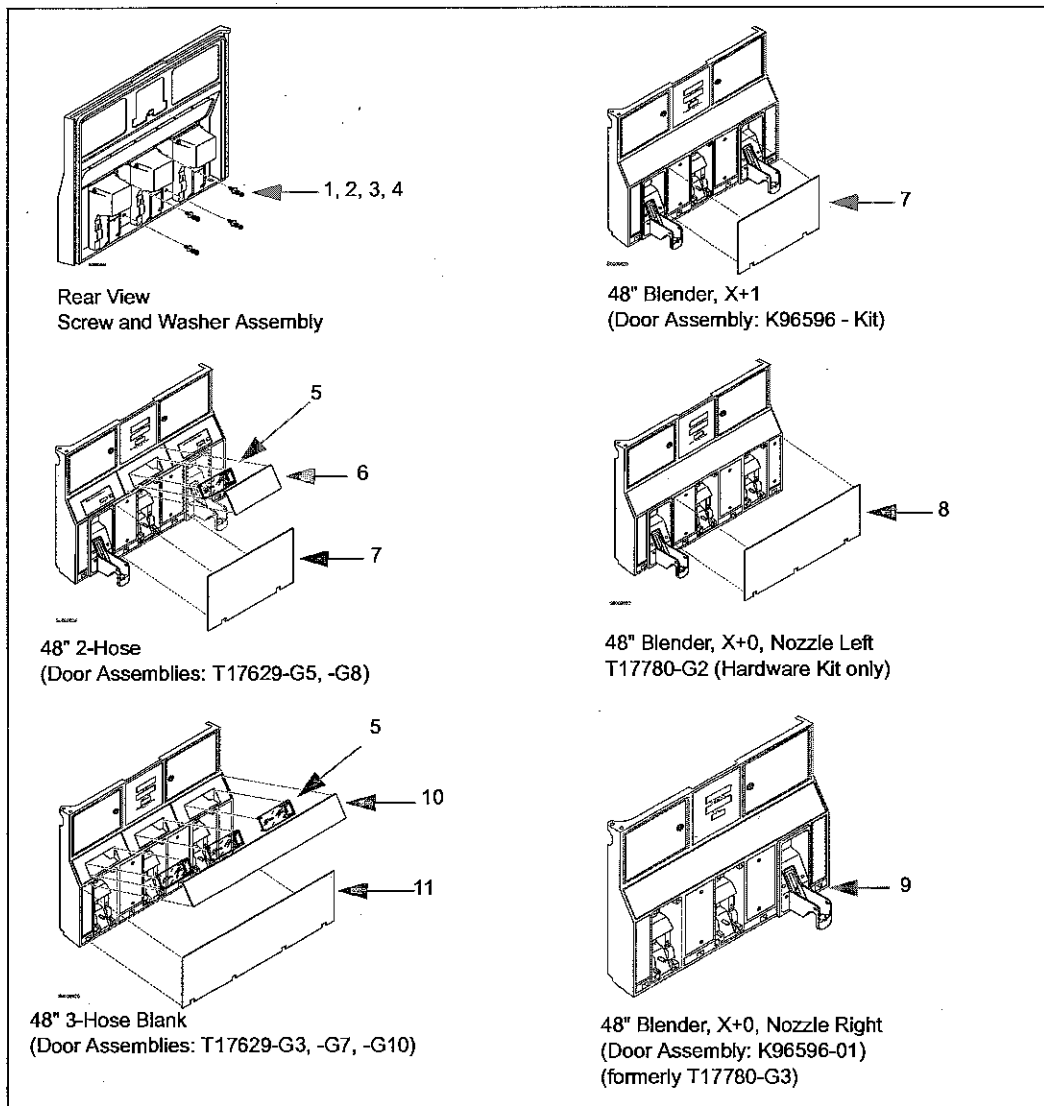
Blanking Panel - 36" Units



Main Access Door Section

Item #	Description	Current Part	Previous Part	Quantity
1	Main access door assembly, 36" units			
1a	• Dual, nozzle right	T17761-G2	-	1
1b	• Blank door (side B of 1-sided unit)	T17761-G3	-	1
1c	• 2 grade, nozzle right	T17761-G11	-	1
1d	• Blender, nozzle left	T17781-G1	-	1
1e	• Blender, nozzle right	T17781-G2	-	1
2	Blanking panel, 36" single-hose right, color coded	T18692-G1	-	1
3	Blanking panel, 36" single-hose left, color coded	T18692-G2	-	1
4	Blanking panel, PPU area, color coded	T18668-G2	-	1
5	Filler plate assembly	R20367-G1	-	(See Note 2)
6	Blanking panel, PPU area, color coded	T18694-G3	T18694-G2 T18694-G1	1
7	Blanking panel, single-sided unit, color coded	T18693-G1	-	1
<p>Notes: 1) - Quantity per main access door.</p> <p>2) Assembly part numbers include main access door and blanking panel parts as listed in this table.</p> <p>3) Quantity varies per assembly.</p>				

Blanking Panel - 48" Units

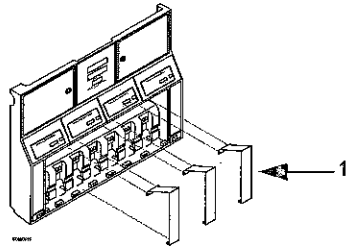


Main Access Door Section

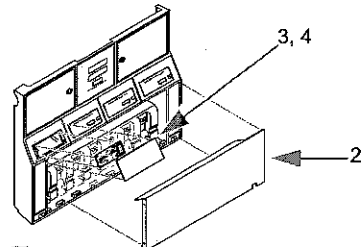
Item #	Description	Current Part	Previous Part	Quantity
1	Locking hex nut	Q10218-04	-	(See Note 1)
2	Flat washer	N16599-78	-	(See Note 1)
3	Mounting stud gasket	Q11659-01	-	(See Note 1)
4	Split spacer	K87404-01	-	(See Note 1)
5	PPU display lens	T17635-G1	-	(See Note 1)
6	Blanking panel, PPU area, color coded	T18668-G2	-	1
7	Blanking panel, 2-hose center, color coded	T18666-G4	-	1
8	Blanking panel, 48" single-hose, nozzle left, color coded	T18666-G5	-	1
9	Blanking panel, 48" single-hose, nozzle right, color coded	T18666-G1	-	1
10	Blanking panel, PPU area, color coded	T18668-G1	-	1
11	Blanking panel, 3-hose, color coded	T18667-G1	-	1

Notes: 1) - Quantity per main access door.
2) Quantity varies per model.

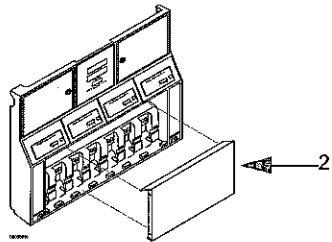
Blanking Panel - 48" Units (Continued)



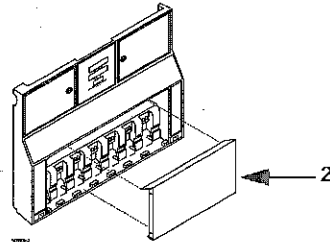
48" MPD, 4-Grade, 4-Hose
(Hardware only: T17826-G2)



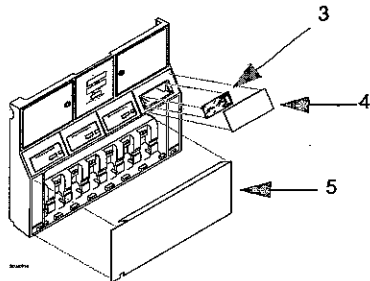
48" Selectable Blender, Single-Hose
(Door Assemblies: T17826-G9, -G19)



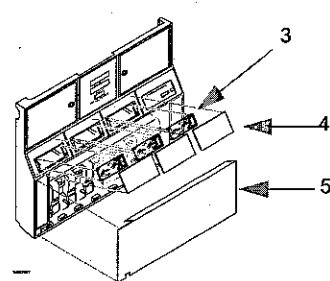
48" 4-Grade, Single-Hose + 1
(Door Assemblies: T17826-G17)



48" Selectable Blender, 2-Hose
(Door Assembly: T17826-G17)



48" MPD, 3-Grade, Single-Hose
(Door Assemblies: T17826-G5, -G9)



48" MPD, 1-Grade, 1-Hose (Nozzle Right)
(Door Assemblies: T17826-G15, -G16)

Note: See Blanking Panel - 48" Units for Rear View Assembly.

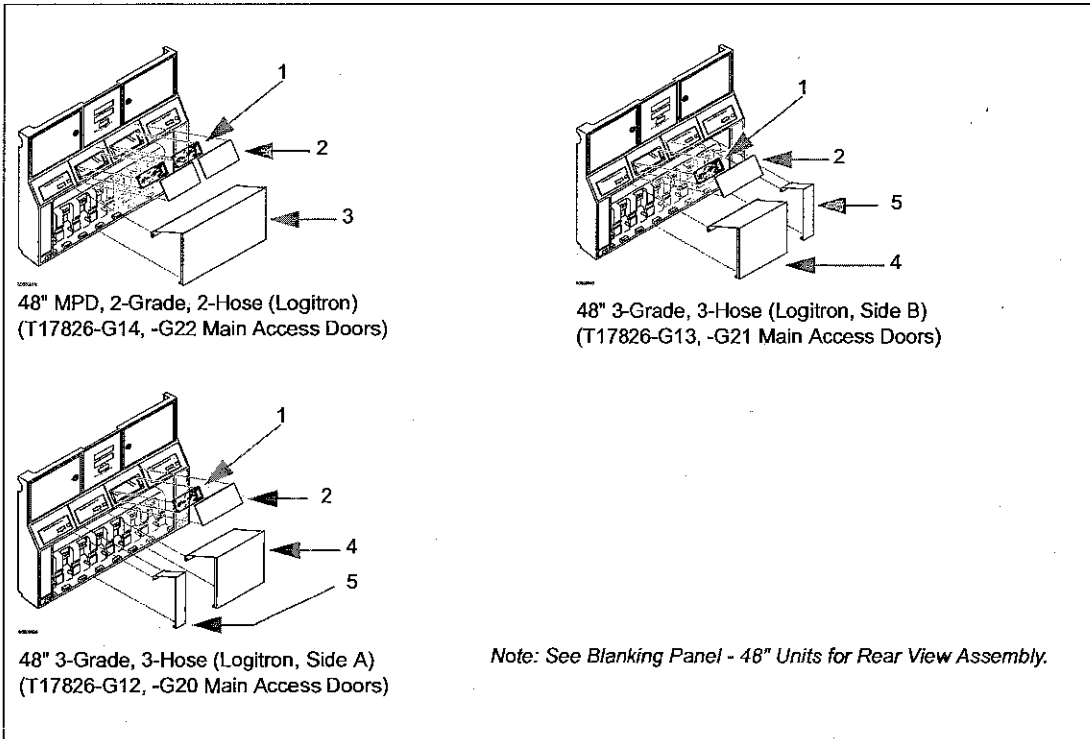
Main Access Door Section

Item #	Description	Current Part	Previous Part	Quantity
1	Narrow angle support panel	T19456-01	-	(See Note 1)
2	Blanking panel insert	T19689-01	-	1
3	Modified PPU display lens	T17635-04	-	(See Note 1)
4	Filler plate assembly	R19518-01	-	1
5	Blanking plate assembly, left side, color coded	T17955-G1	-	1
6	Blanking plate assembly, right side, color coded	T17955-G2	-	1
7	Blanking panel insert	T19690-01	-	1

Notes: 1) - Quantity per main access door.

2) Quantity varies per model.

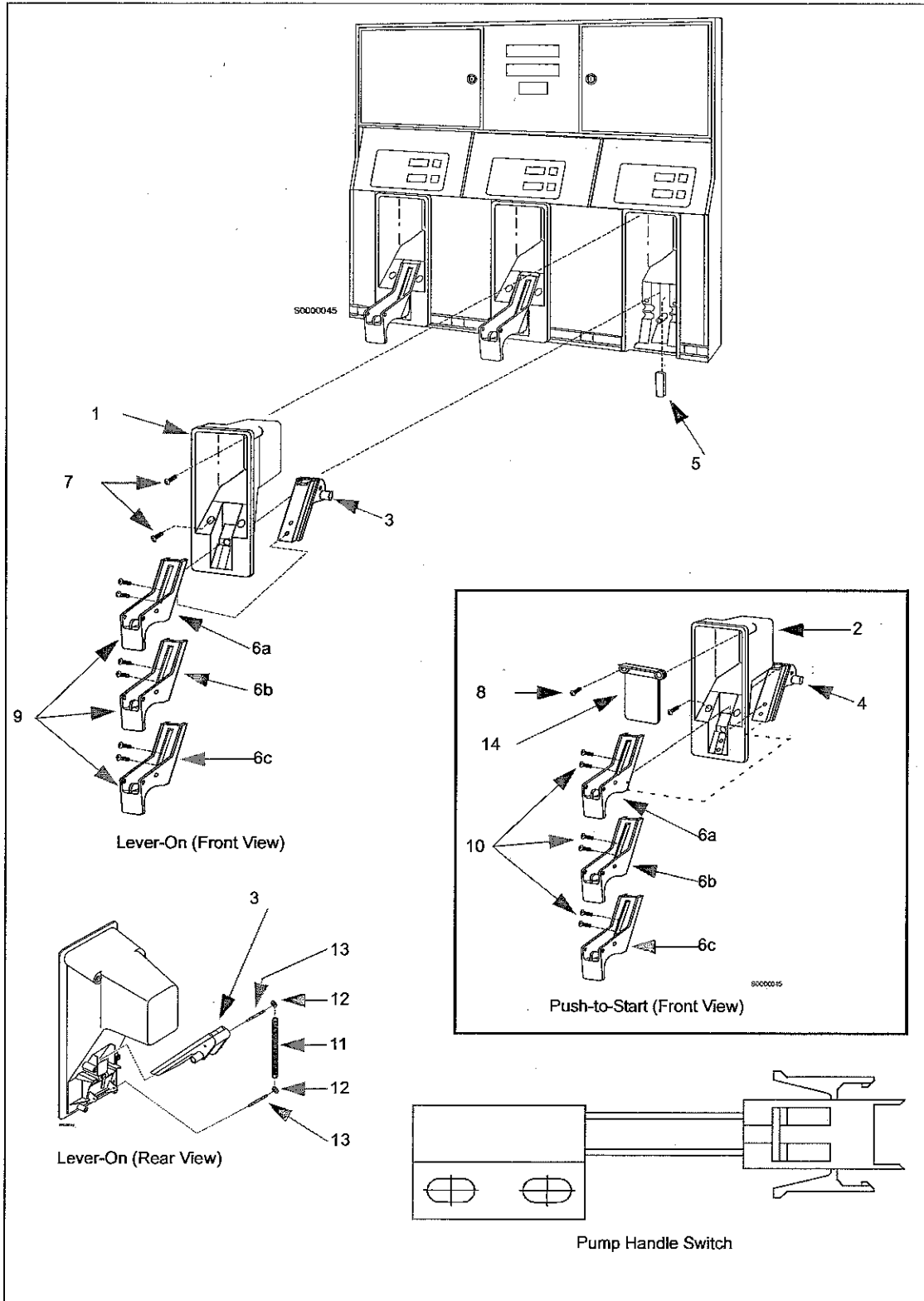
Blanking Panel - 48" Units (Continued)



Item #	Description	Current Part	Previous Part	Quantity
1	Modified PPU display lens	R20367-G1	T17635-04	(See Note 1)
2	Filler plate assembly	Use Tedlar®	R19518-01	1
3	Blanking panel insert, color coded	T19690-01	-	1
4	Blanking panel insert, color coded	T19689-02	-	1
5	Narrow angle support panel	T19456-01	-	(See Note 1)

Notes: 1) - Quantity per main access door.
2) Quantity varies per model.

Nozzle Boot



Item #	Description	Current Part	Previous Part	Quantity
1	Nozzle boot, lever-on			
	• Short hook	W03879-G1	W02491-10	1
	• Medium hook	W03879-G2		1
• Long hook	W03879-G3	1		
2	Nozzle boot, push-to-start (plastic)	W02491-12	R19556-01	1
3	Nozzle cradle base, lever-on	R19272-G1	-	1
4	Nozzle cradle base, push-to-start	R19273-03	-	1
5	Bumper, nozzle lever	K93661-02	K93661-01	1
6	Nozzle cradle			
6a	• Non-vapor or vapor recovery, short	T18400-10	-	1
6b	• Vapor recovery, medium	T18400-11	-	1
6c	• Vapor recovery, long	T18400-12	-	1
7	Screw, 1/4-10 x 3/4"	Q11657-187	Q12011-166	(See Note 1)
8	Screw, 1/4-10 x 1-1/4"	Q11657-183	Q11824-196	2
9	Screw, 1/4" x 3/4"	Q12588-77	-	2
10	Screw, 1/4" x 1-1/4"	Q11270-196	-	2
11	Spring, nozzle hook	Q10226-06	-	1
12	Washer	N16599-45	-	2
13	Spring Pin	K93540-01	-	2
14	Nozzle flap/magnet assembly, push-to-start	R20713-G1	R19303-G1 R19229-G1	1
15	Switch, pump handle	Q12514-06	Q12514-01	1
<i>Not Shown:</i>				
-	Conversion Kits: • Lever to push-to-start • Push-to-start to lever	K93708-01 K93708-02	-	1
-	Screw, #6-19 x 3/8"	Q12011-13	-	1
-	Shield, pump handle switch (for blenders only)	N23182-G1	-	1
-	Lock and key (black)	Q12542-01	-	1
-	Lock and key (chrome)	Q12542-02	-	1
-	Short hook (plastic)	W03879-G1	-	1
-	Medium hook (plastic)	W03879-G2	-	1
-	Long Hook (plastic)	W03879-G3	-	1
<i>Note: Quantity varies with model.</i>				

This page is intentionally left blank.