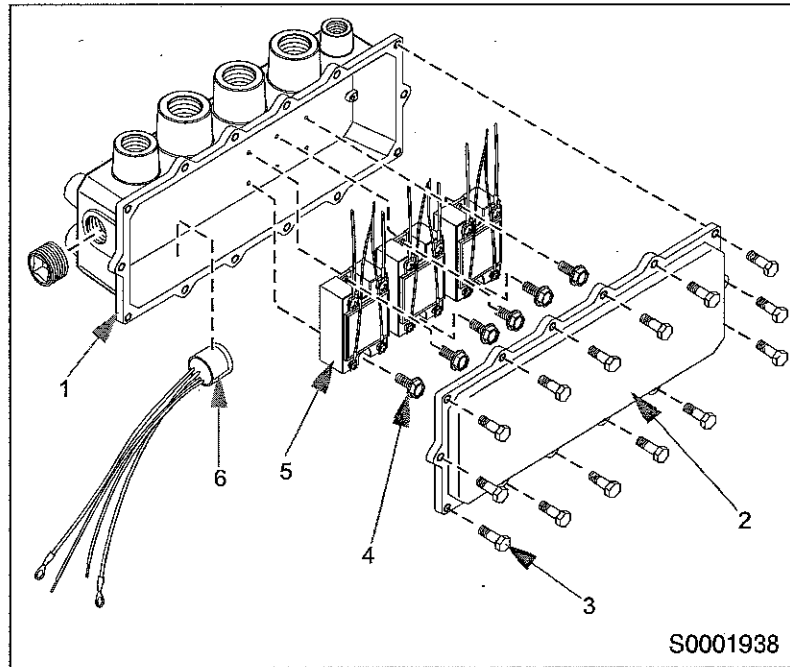


10 – Junction Box and Conduit Section

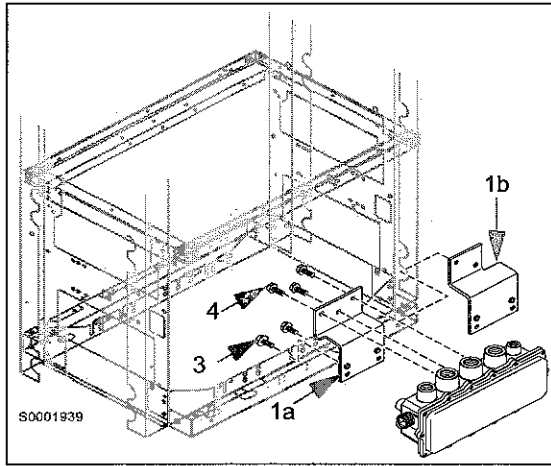
Junction Box (All Grades)



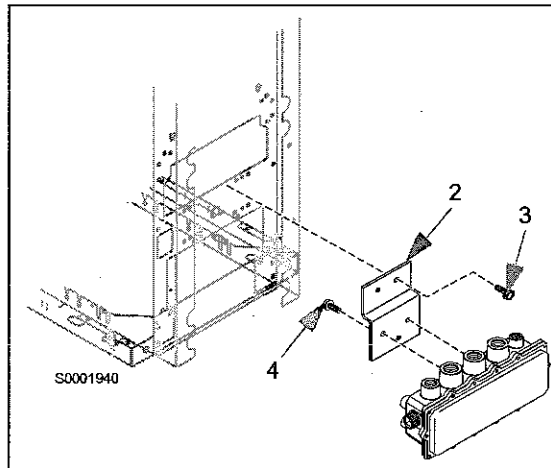
Item #	Description	Current Part	Previous Part	Quantity
1	Junction box (All grades)	W02948-12	W02948-G12 W02948-G11 W02948-G10 W02730-G10	1
2	Junction box cover	W02814-10	-	1
3	Bolt, #1/4-20 x 3/4"	K43625	-	14
4	Screw, #8-32 x 3/8"	K85736-06	-	(See Note 1)
5	Solid state relay (single phase solid state only; AC Input) (See Note 2)	Q11008-04	-	(See Note 1)
6	Varistor			
6a	• 110/115/120 VAC	T17448-G1	-	1
6b	• 220/230/240 VAC	T17448-G3	T17448-G2	1
Notes: 1) Quantity varies with model.				
2) Self contained pumps use relays located in the J-Box for pump motor control.				

J-Box Brackets

J-Box Brackets (All except Four-grade Pump)

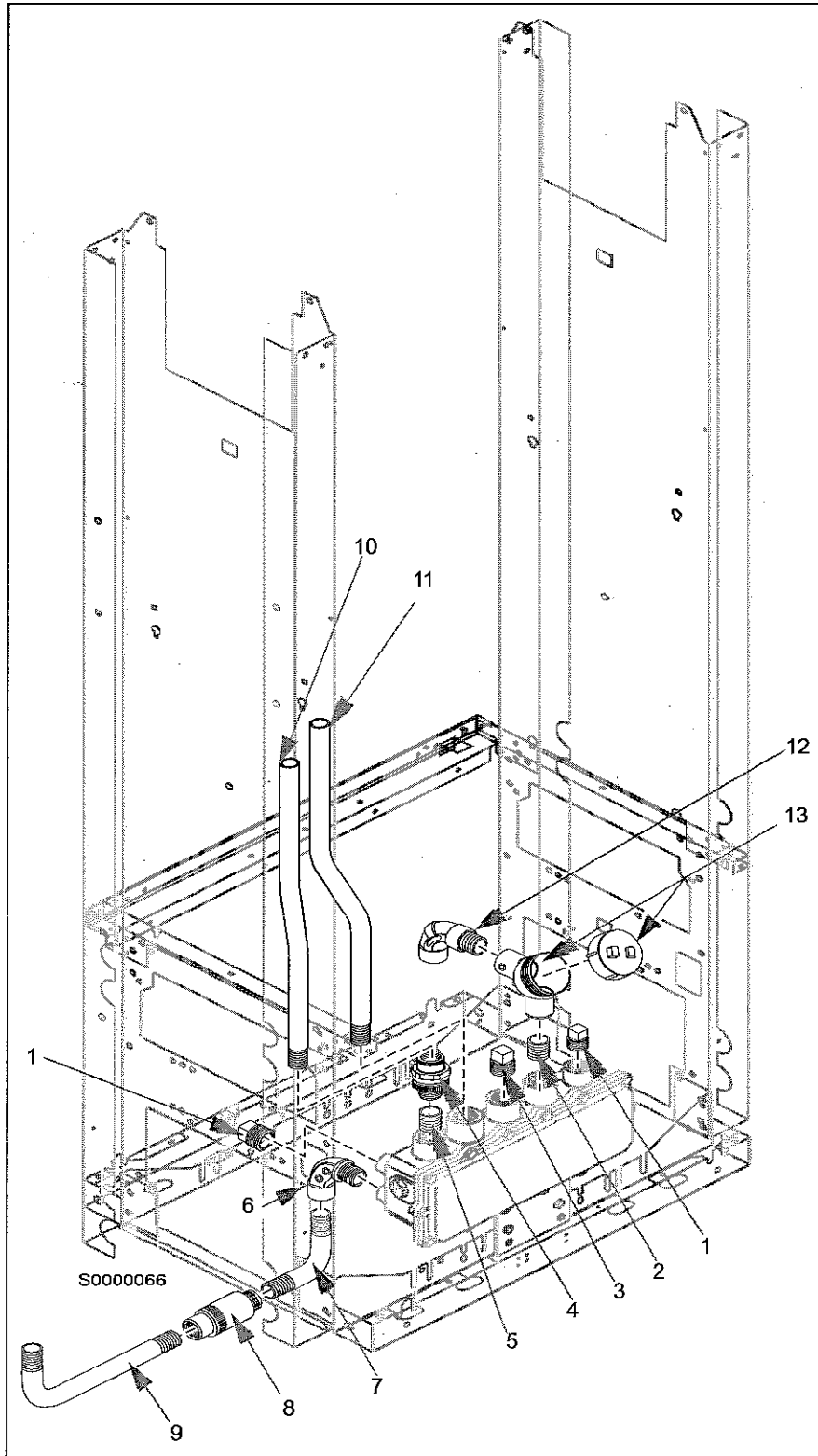


J-Box Brackets (Four-grade Pump Only)



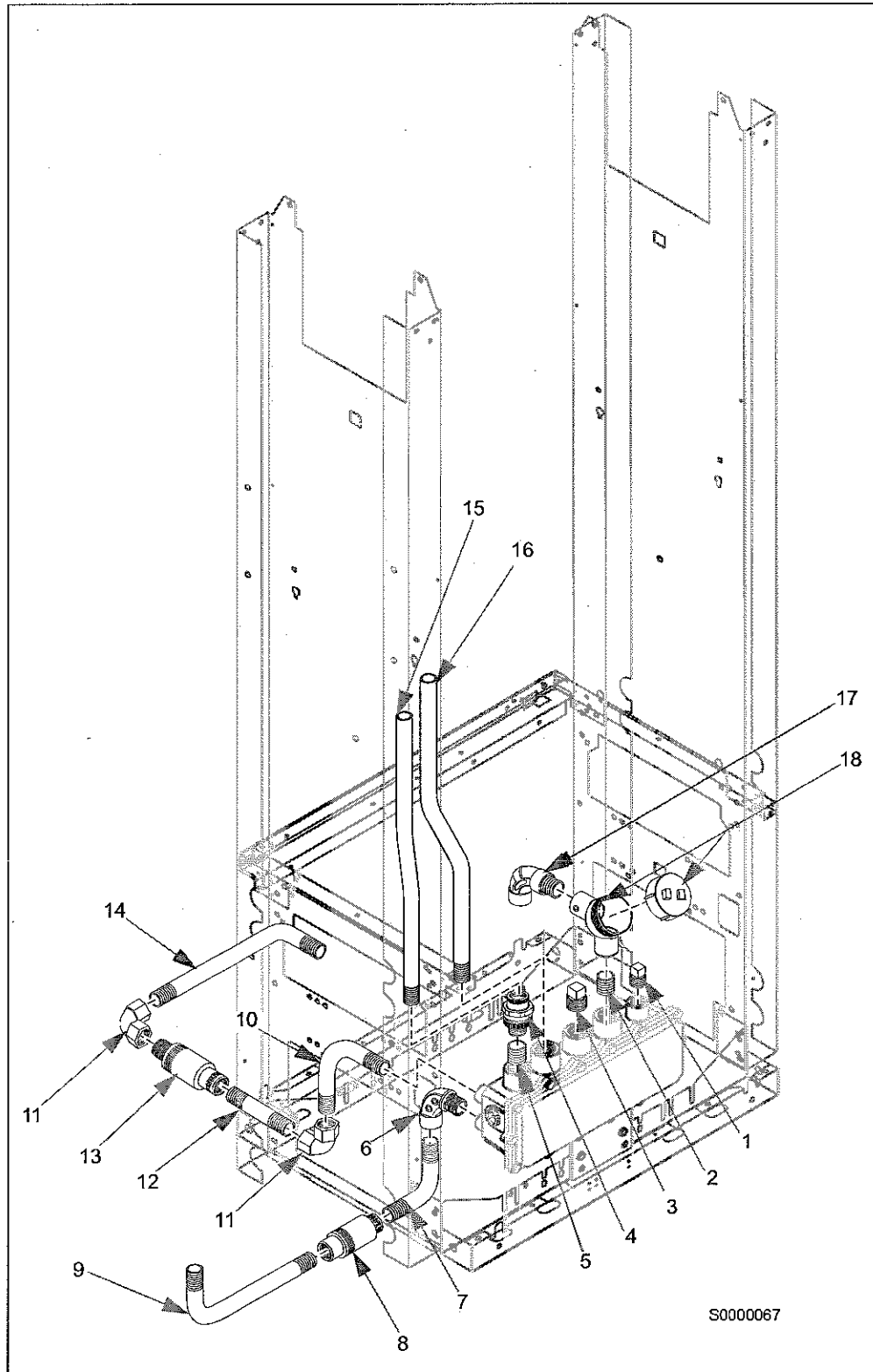
Item #	Description	Current Part	Previous Part	Quantity
	Junction Box Brackets			
1	Mounting bracket			
1a	• Dispensers	T18160-02	T18160-01	1
1b	• Pumps (except four-grade pump)	R19718	-	1
2	Junction box bracket (four-grade pump)	R20612-01	-	1
3	Screw, #5/16-18 x 3/4"	K85736-43	-	2
4	Screw, #5/16-18 x 1/2"	Q11889-12	-	3

Conduit - 36" Single-Grade Pump



Item #	Description	Current Part	Previous Part	Quantity
1	Pipe plug, 1/2"	K02281	-	1
2	Nipple, conduit, 1" x 3/4"	R11978-03	R11978-01	1
3	Pipe plug, 1"	K02283	-	1
4	Union, conduit, 1/2"	Q10016-04	-	1
5	Reducer, conduit, 3/4"	K49827	-	1
6	Elbow, conduit, 1/2" x 90° (M x F)	K42448	-	1
7	Motor conduit (product 1)	R12579-126	-	1
8	Expansion union	N16289-21	-	1
9	Motor conduit (product 1)	R12579-124	-	1
10	Conduit and wire assembly (three-phase pumps only)	R19483-G9	R19483-G7 R19483-G2	1
11	Conduit and cable assembly (spare parts only) – narrow frame	W03583-G2	W03583-G1 T18474-G9	1
12	Elbow, conduit, 1" x 90° (M x F)	Q11643	-	1
13	Elbow, capped Y, 1"	Q12730-01	-	1

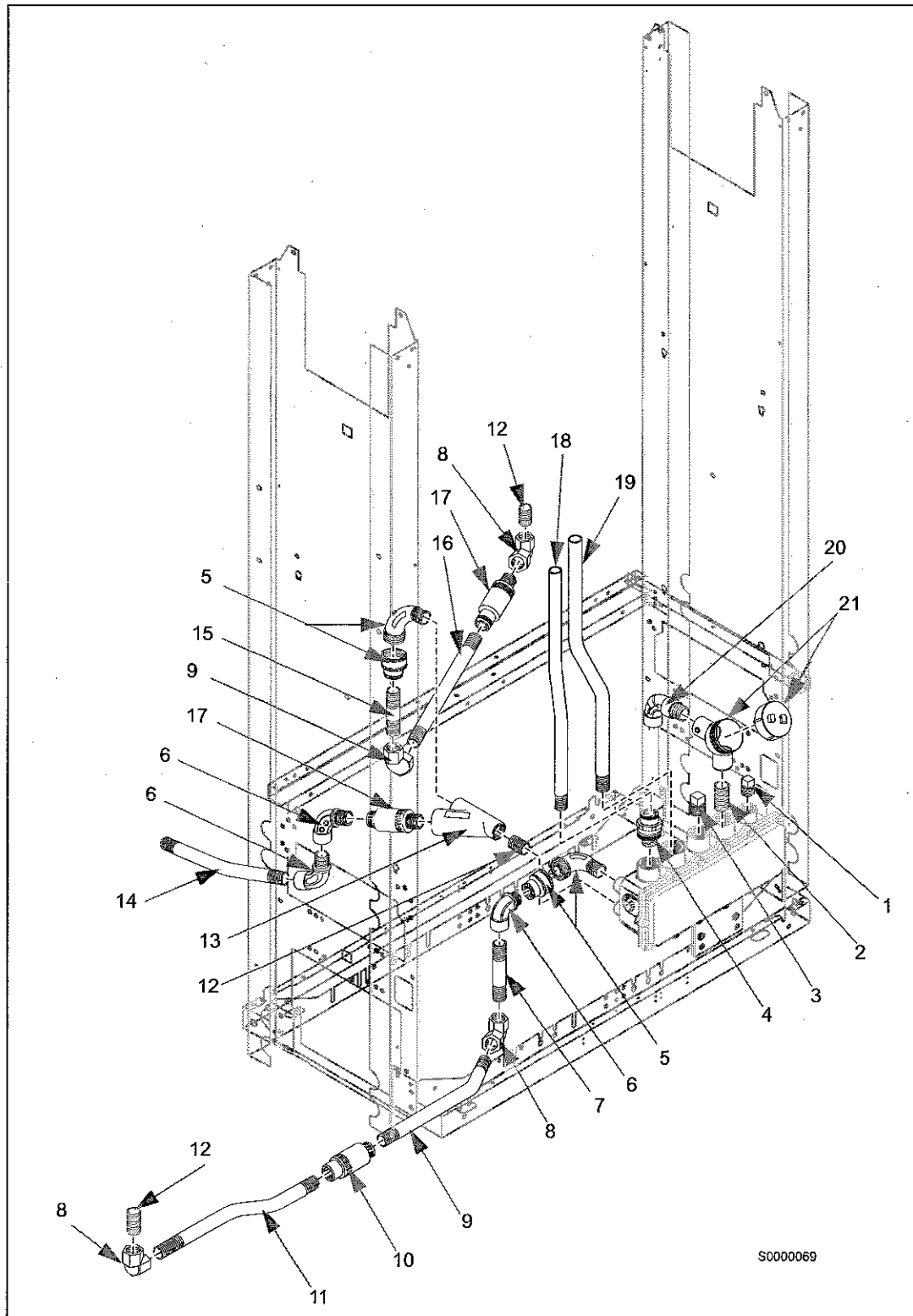
Conduit - 36" Two-Grade Pump



Item #	Description	Current Part	Previous Part	Quantity
1	Pipe plug, 1/2"	K02281	-	2
2	Nipple, conduit, 1" x 3/4"	R11978-03	R11978-01	1
3	Pipe plug, 1"	K02283	-	1
4	Union, conduit, 1/2"	Q10016-04	-	1
5	Reducer conduit, 3/4"	K49827	-	1
6	Elbow conduit, 1/2" x 90° (M x F)	K42448	-	1
7	Motor conduit (product 1)	R12579-126	-	1
8	Expansion union, 1/2" (F x F)	N16289-21	-	1
9	Motor conduit (product 1)	R12579-124	-	1
10	Motor conduit (product 2)	R12579-127	-	2
11	Elbow, conduit, 1/2" x 90° (F x F)	K42428	-	1
12	Nipple conduit, 1/2" x 3"	K88207-02	-	1
13	Expansion union, 1/2" (M x F)	N16289-20	-	1
14	Motor conduit (product 2)	R12579-125	-	1
15	Conduit and wire assembly (three-phase pumps only)	R19483-G8	R19483-G5 R19483-G4	1
16	Conduit and wire assembly	W03583-G2	W03583-G1 T18474-G9	1
17	Elbow, conduit, 1" x 90° (M x F)	Q11643	-	1
18	Elbow, capped Y, 1"	Q12730-01	-	1

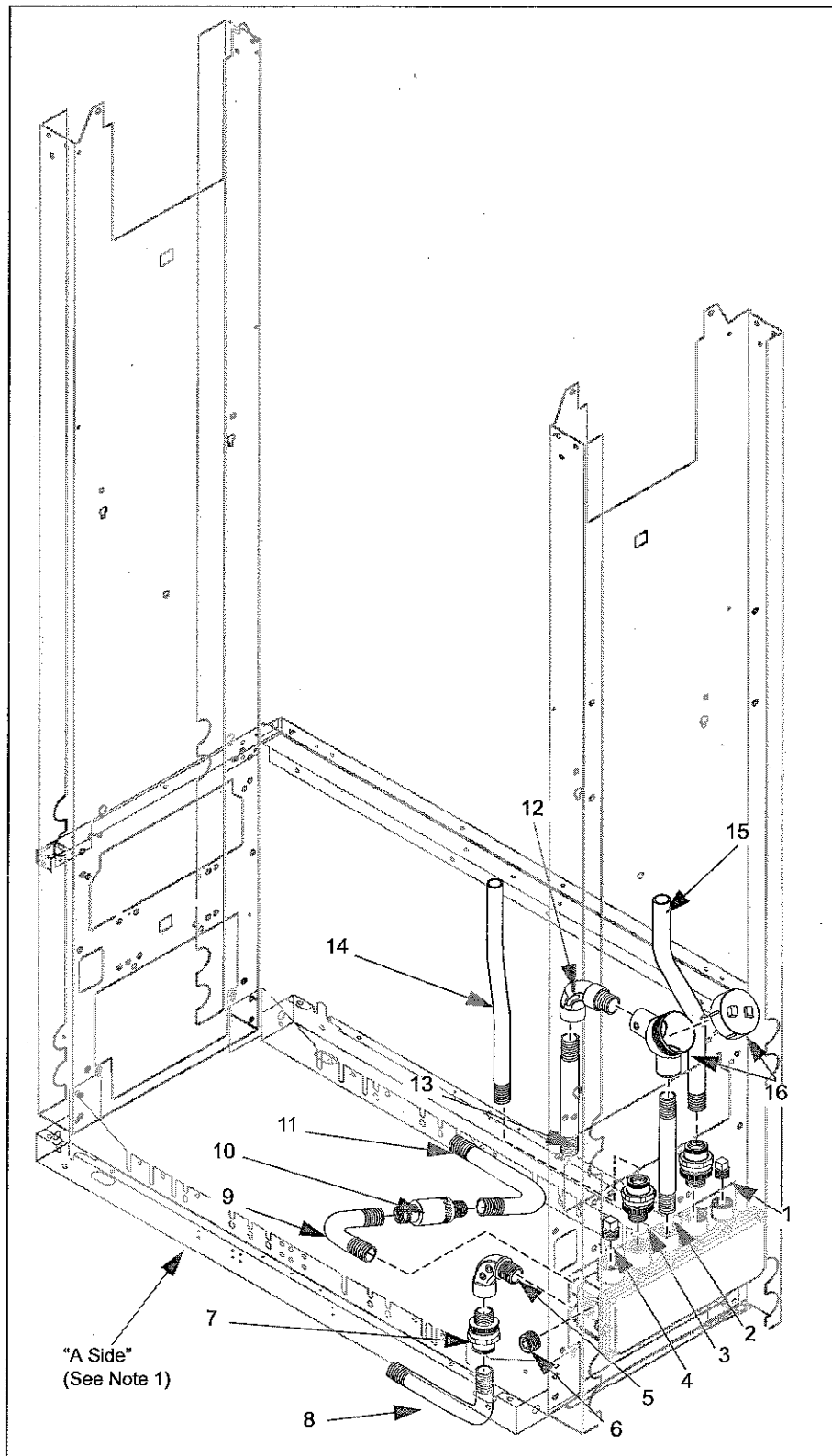
Item #	Description	Current Part	Previous Part	Quantity
1	Pipe plug, 1/2"	K02281	-	1
2	Nipple conduit, 1" x 1-3/4"	R11978-03	R11978-01	1
3	Pipe plug, 1"	K02283	-	1
4	Union conduit, 3/4" (M x F)	Q10016-05	-	1
5	Elbow, union, 1/2" x 90° (M x F)	K92364	Q10017-02	1
6	Elbow conduit, 1/2" x 90° (M x F)	K42448	-	1
7	Nipple conduit, 1/2" x 3-1/2"	R11976-54	K07024	1
8	Elbow conduit, 1/2" x 90° (F x F)	K42428	-	4
9	Motor conduit (product 1)	R19732	-	1
10	Expansion union, 1/2" (F x F)	N16289-21	-	1
11	Motor conduit (product 1)	T18537	-	1
12	Nipple conduit, 1/2" x 1-1/4"	R11976-40	K10842	3
13	Y fitting, 45°, 1/2" x 1/2" x 3/4" (F x F x F)	Q10101-01	-	1
14	Motor conduit (product 2)	R11976-42	-	1
15	Motor conduit (product 2)	R11976-72	-	1
16	Expansion union, 1/2" (M x F)	N16289-20	-	1
17	Conduit and wire assembly (three-phase pumps only)	R19483-G10	R19483-G6 R19483-G3	1
18	Conduit and wire assembly	W03534-G2	W03534-G1 T18474-G8	1
19	Elbow conduit, 1" x 90° (M x F)	Q11643	-	1
20	Y-elbow, capped, 1/2" x 90° (M x F)	Q12730-01	-	1

Conduit - 48" Three-Grade Pump



Item #	Description	Current Part	Previous Part	Quantity
1	Pipe plug, 1/2"	K02281	-	1
2	Nipple conduit, 1" x 1-3/4"	R11978-03	R11978-01	1
3	Pipe plug, 1"	K02283	-	1
4	Union, conduit, 3/4" (M x F)	Q10016-05	-	1
5	Elbow, union, 1/2" x 90° (M x F)	K92364	Q10017-02	1
6	Elbow, conduit, 1/2" x 90° (M x F)	K42448	-	3
7	Nipple, conduit, 1/2" x 3-1/2"	R11976-54	K07024	1
8	Elbow, conduit, 1/2" x 90° (F x F)	K42428	-	4
9	Conduit, motor (product 1), 1/2" aluminum	R19732	-	1
10	Expansion union, 1/2" (F x F)	N16289-21	-	1
11	Motor conduit (product 1), 1/2" aluminum	T18537	-	1
12	Nipple, conduit, 1/2" x 1-1/4"	R11976-40	K10842	3
13	Y fitting, 45°, 1/2" x 1/2" x 3/4" (F x F x F)	Q10101-01	-	1
14	Conduit, motor, product 2, 1/2", aluminum	R19731	-	1
15	Nipple, conduit, 1/2" x 1-1/2"	R11976-42	K09228	1
16	Nipple, conduit, 1/2" x 9"	R11976-72	K04128	1
17	Expansion union, 1/2" (M x F)	N16289-20	-	2
18	Conduit and wire assembly (three-phase pumps only)	R19483-G10	R19483-G6 R19483-G3	1
19	Conduit and wire assembly, 1"	W03534-G2	W03534-G1 T18474-G8	1
20	Elbow, conduit, 1" x 90° (M x F)	Q11643	-	1
21	Y-elbow, capped, 1/2" x 90° (M x F)	Q12730-01	-	1

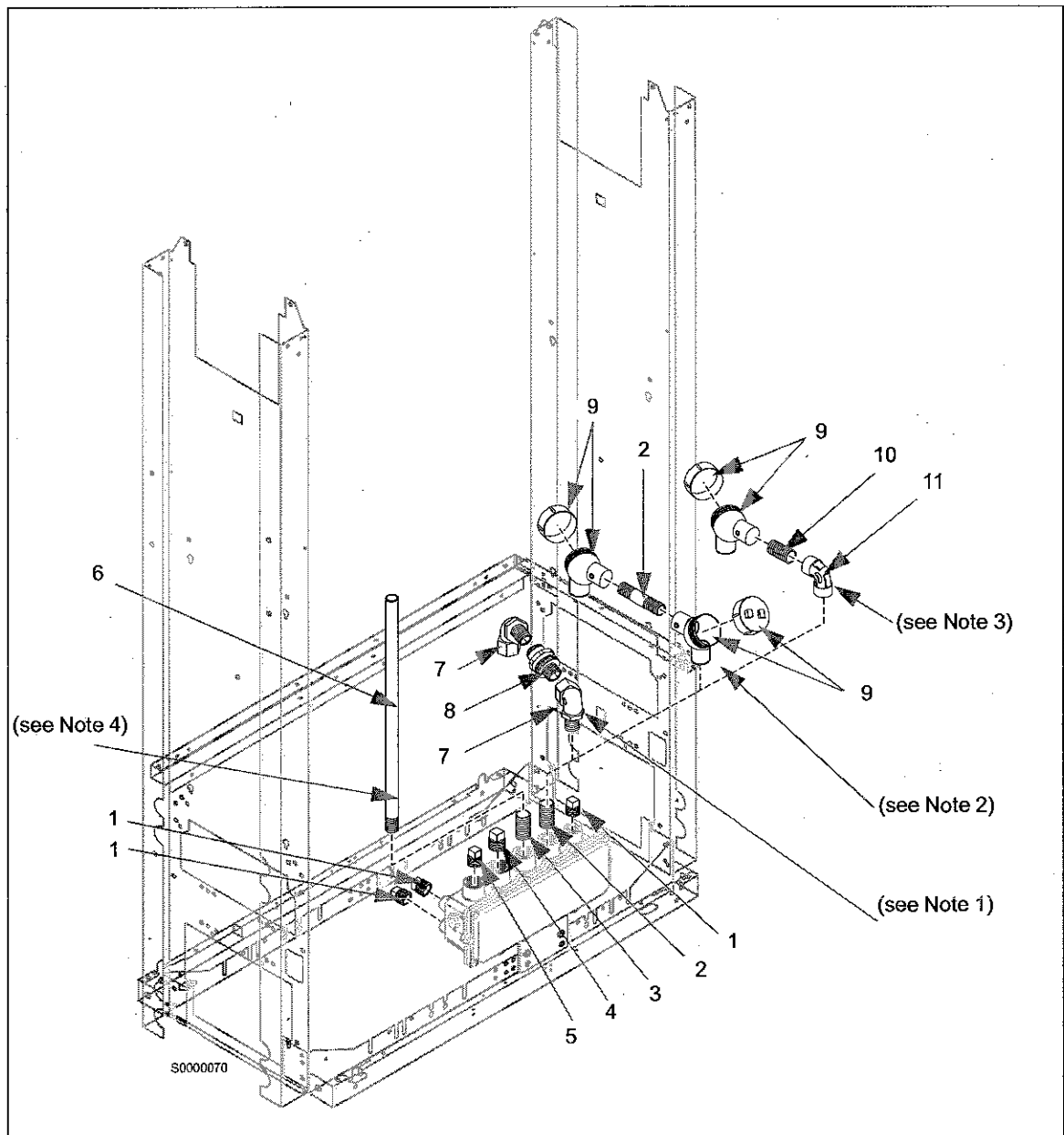
Conduit - 48" Four-grade Pump



Item #	Description	Current Part	Previous Part	Quantity
1	Pipe plug, 1/2"	K02281	-	1
2	Conduit, 1" x 7-1/4"	R11978-09	-	1
3	Union conduit, 1"	Q10016-03	-	2
4	Pipe plug, 3/4"	K02282	-	1
5	Pipe plug, 3/4 countersunk	K57624	-	1
6	Elbow conduit, 1/2" x 90° (M x F)	K42448	-	1
7	Union conduit, 1/2"	Q10016-04	-	1
8	Conduit 1/2" x 90°	R12579-134	-	1
9	Conduit, 1/2" x 90° (M x F)	R12579-128	-	1
10	Expansion union, 1/2" (F x F)	N16289-21	-	1
11	Conduit, 1/2" x 90°	R12579-135	-	1
12	Elbow conduit, 1" x 90° (M x F)	Q11643	-	1
13	Conduit, 1" x 5-1/2"	R11978-04	-	1
14	Conduit and wire assembly, 1"	W03836-G2	-	1
15	Conduit and wire assembly, 1"	W03520-G5	-	1
16	Elbow, capped, 1"	Q12730-01	-	1

Note: "A" Side is determined by location of the junction box. As you face a four-grade pump unit, the junction box will be on your right side.

Conduit - 48" One-, Two-, and Three-grade Dispensers and All Blenders



Notes: 1) Used on all dispensers until 07/30/91. Currently used on MPD four-grade and blender six-hose.

2) Used on all dispensers (except MPD four-grade and blender six-hose) from 07/31/91 to 08/31/92.

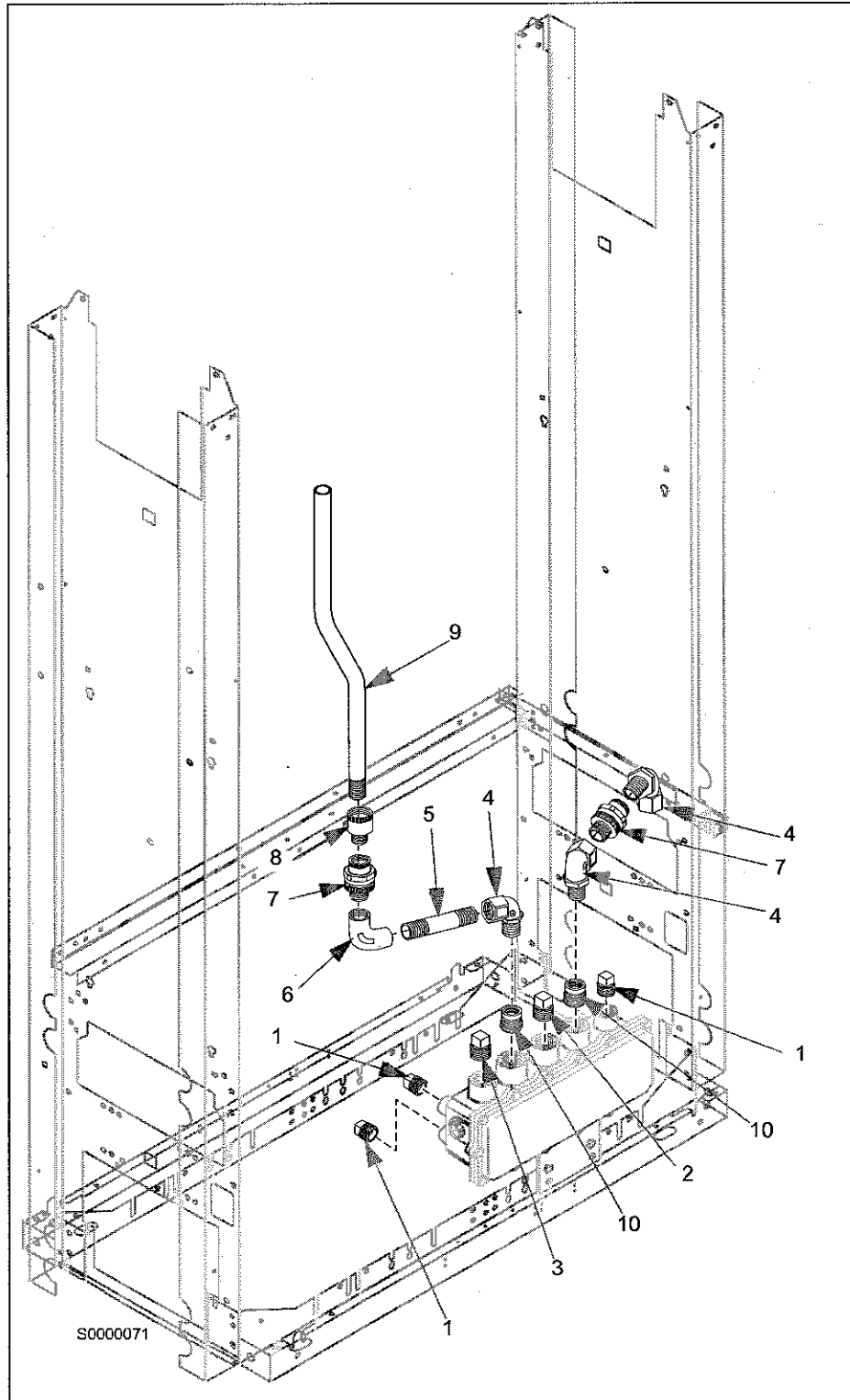
3) Used on all dispensers (except MPD four-grade and blender six-hose) since 09/01/92.

4) Conduit and Wire assembly (item 6) threads straight into J-Box.

Item #	Description	Current Part	Previous Part	Quantity
1	Pipe plug, 1/2"	K02281	-	3
2	Nipple conduit, 1" x 1-3/4	R11978-03	-	2
3	Reducer, conduit, 1" x 3/4 (used with W03580-G1; see item 7 below)	K49827-21	-	1
4	Pipe plug, 1"	K02283	-	1
5	Pipe plug, 3/4"	K02282	-	1
6	Conduit and wire assembly (fixed blenders; not shown), 1"	W03580-G1	-	1
-	Conduit and wire assembly (selectable blenders), 1"	W03520-G2 W03520-G3 W03520-G4 (Wires only)	T18474-G7 (3/4")	1
7	Elbow, 3/4" x 90° (M x F)	K80453	-	1
8	Union, conduit, 3/4" (M x F)	Q10016-05	-	1
9	Elbow, 1 x 90° (F)	K87869	-	1
10	Nipple conduit, 1" x 3/4"	R11978-03	-	1
11	Elbow, capped, Y-type	Q12730-01	-	(See Note)

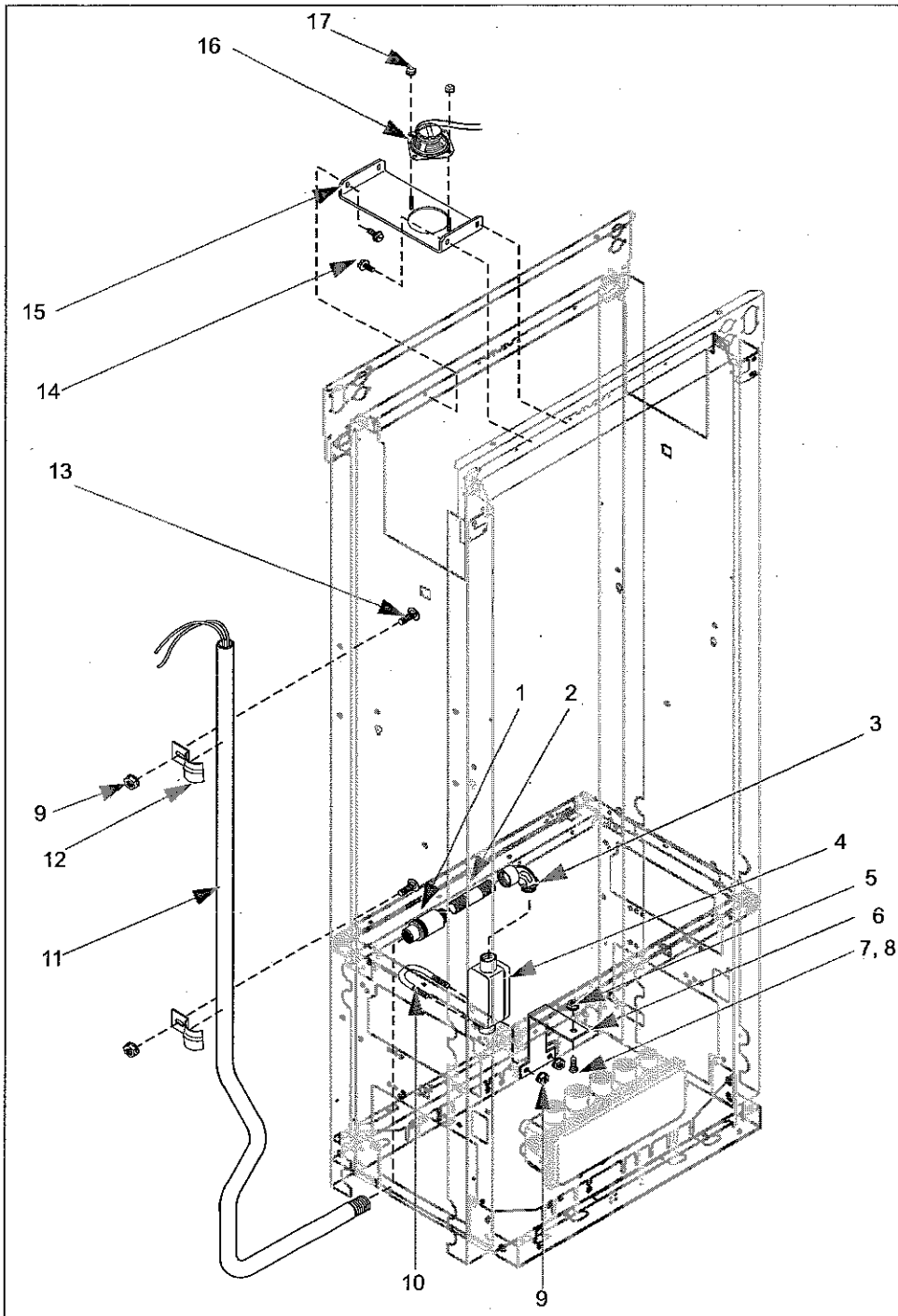
Note: Quantity varies with model.

Conduit - 48" Four-Grade Dispenser



Item #	Description	Current Part	Previous Part	Quantity
1	Pipe plug, 1/2"	K02281	-	3
2	Pipe plug, 1"	K02283	-	1
3	Pipe plug, 3/4"	K02282	-	1
4	Elbow, conduit, 3/4" x 90° (M x F)	K80453	-	3
5	Nipple conduit, 3/4" x 3-3/8"	R11977-15	-	1
6	Elbow, conduit, 3/4" x 90° (F x F)	Q11753-01	-	1
7	Union, conduit 3/4" (M x F)	Q10016-05	-	2
8	Enlarger, conduit, 3/4" to 1"	K81090-21	-	1
9	Assembly, 1" conduit and cable	W03584-G1	-	1
10	Reducer, 1" x 3/4"	K49827-21	-	1

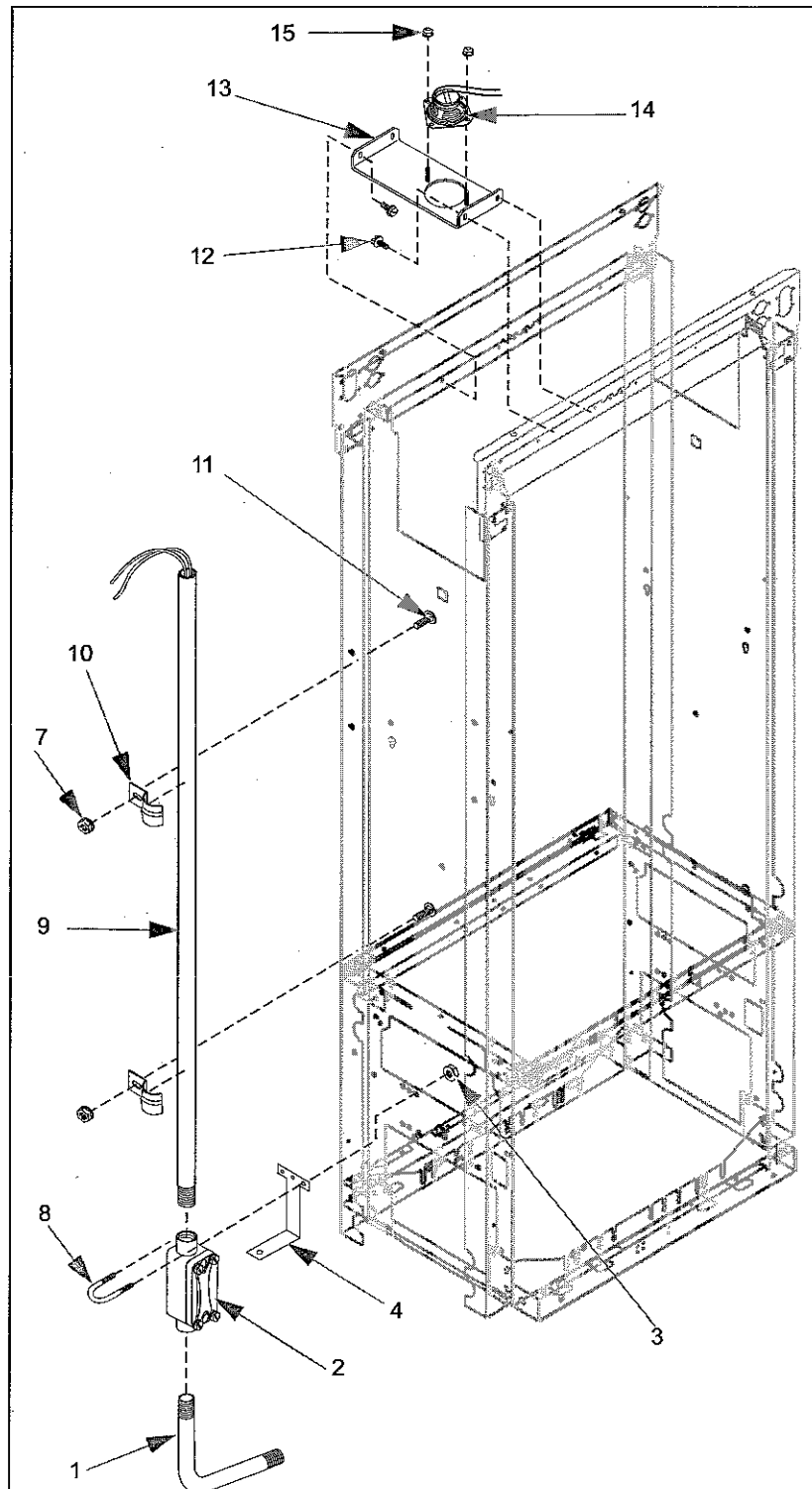
Speaker Conduit - Pumps



Item #	Description	Current Part	Previous Part	Quantity
-	Pump speaker and conduit kit (includes all parts)	K93846	-	1
1	Expansion union (F x F)	N16289-21	-	1
2	Nipple conduit			
	• 1/2" x 5-1/4" (48" frame)	R11976-62	K21156	1
	• 1/2" x 3-1/4" (36" frame)	R11976-52	K22152	1
3	Elbow conduit, 1/2" x 90° (M x F)	K42448	-	1
4	Power unilet box	K72943	-	1
5	Nut, 5/16-18	Q11890-05	-	1
6	Mounting bracket (See Note 1)	T18721-01	R19306	1
7	Washer, 5/16	K42999	-	1
8	Bolt, 5/16-18 x 3/4"	Q10624-01	-	1
9	Nut, 1/4-20	Q11890-04	-	4
10	U-Bolt, 1/4-20	K67996-02	-	1
11	Conduit and wire assembly	T18720-G1	T17859-G1	1
12	Tubing clamp	K90912	-	2
13	Bolt, 1/4-20 x 3/4"	K43625	-	2
14	Screw, #10-32 x 1/2"	K85736-15	-	4
15	Speaker mounting bracket	T18836-G1	T18771-G1	1
16	Speaker (without cover)	R17347-01	R19385-G1	1
17	Locknut, #8-32	Q10099-01	-	2

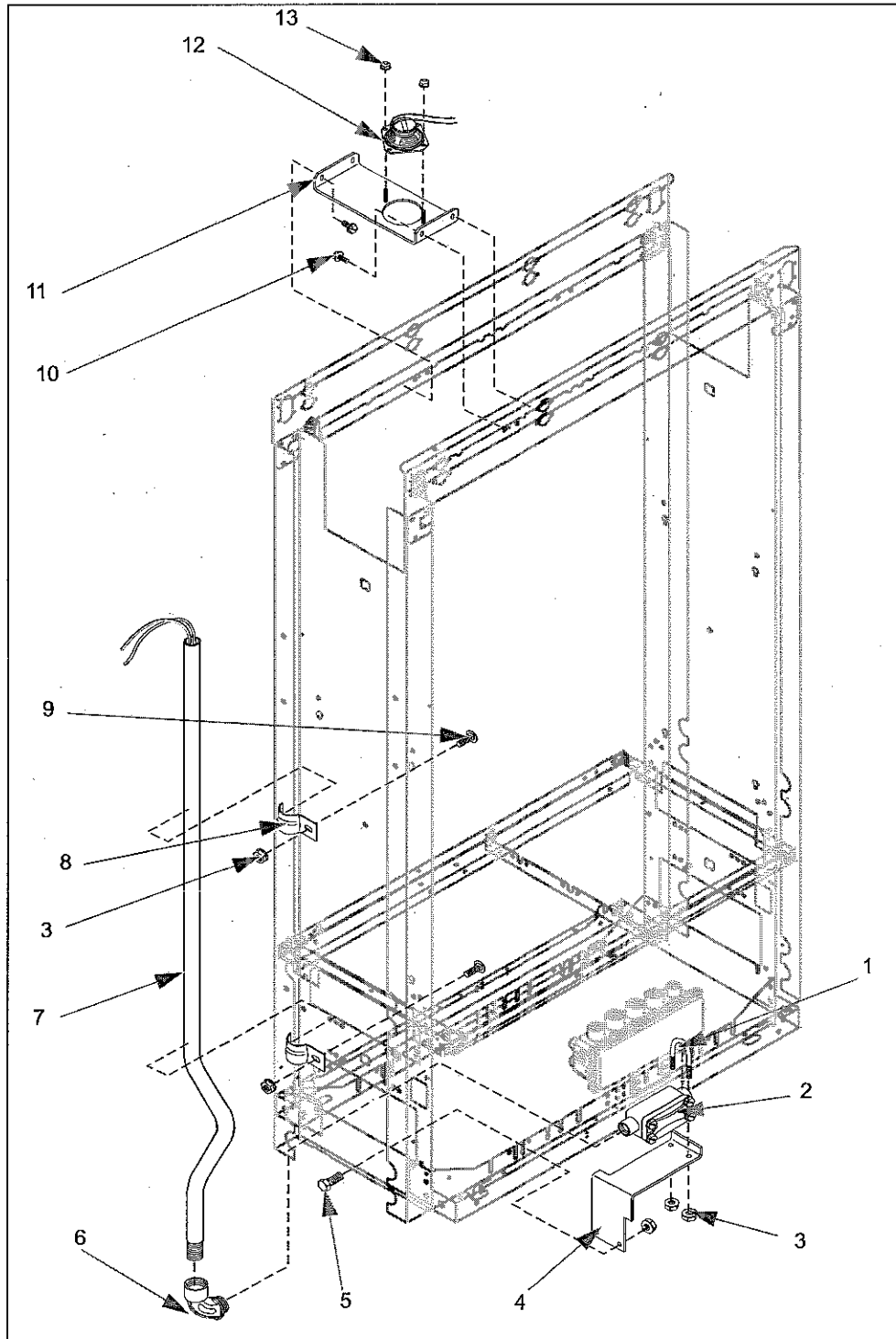
Note: Previous parts were used on pumps built before 09/92. Current parts are used on pumps built after 09/92. These parts cannot replace each other.

Speaker Conduit - Four-grade Pump



Item #	Description	Current Part	Previous Part	Quantity
	Pump speaker and conduit (4-grade only) (includes all parts)	W03061	-	1
1	Vapor pump to J-Box conduit	R20461-01	-	1
2	Power unilet box	K72943	-	1
3	Nut, 5/16"-18	Q11890-05	-	2
4	Mounting bracket	T18721-01	-	1
5	Washer, 5/16"	K42999	-	1
6	Bolt, 5/16"-18 x 3/4"	Q10624-01	-	1
7	Nut, 1/4"-20	Q11890-04	-	2
8	U-Bolt, 1/4"-20	K67996-02	-	1
9	Conduit and wire assembly	T18720-G2	-	1
10	Tubing clamp	K90912	-	2
11	Bolt, 1/4"-20 x 3/4"	K02394-34	-	2
12	Screw, #10-32 x 1/2"	K85736-15	-	4
13	Speaker mounting bracket	T18836-G1	-	1
14	Speaker (without cover)	R17347-01	-	1
15	Locknut, #8-32	Q10099-01	-	2

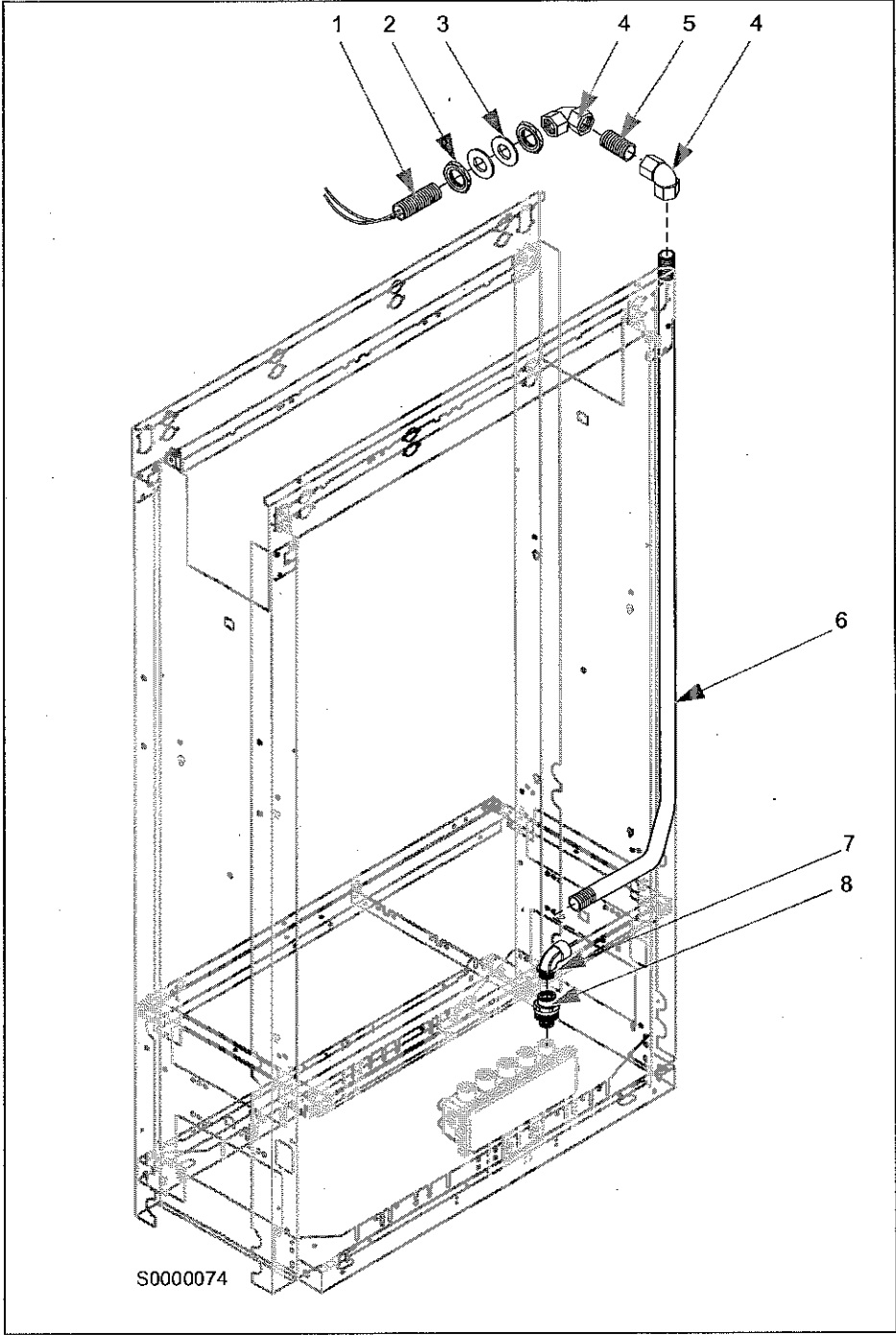
Speaker Conduit - Dispensers



Item #	Description	Current Part	Previous Part	Quantity
	Dispenser speaker and conduit kit (includes all parts) (See Note)	K35492	-	1
1	U-bolt	K67996-02	-	1
2	Power unilet box	K72943	-	1
3	Nut, 1/4"-20	Q11890-04	-	2
4	Power unilet box mounting bracket	T17873	-	1
5	Hex-head bolt, 1-4"-20 x 3/4"	K43625	-	2
6	Elbow, 1/2" x 90 degrees (M x F)	K42448	-	1
7	Conduit and wire assembly	R19385-G2	R19385-G1	1
8	Tubing clamp	K90912	-	2
9	Carriage bolt, 1/4"-20 x 3/4"	K02394-34	-	2
10	Screw, #10-32 x 1/2"	K85736-15	-	4
11	Speaker mounting bracket	T18836-G1	T18771-G1	1
12	Speaker (without cover)	R17347-01	R19385-G1	1
13	Locknut, #8-32	Q10099-01	-	2

Note: Refer to MDE-2633 Speaker Kits K35492 and K93846 For The Advantage Series for more information.

Light Conduit



Item #	Description	Current Part	Previous Part	Quantity
	Light conduit kit (See Note 1) (includes all parts unless noted)			
	• Dispensers	K35497	-	1
	• Pumps	K93757	-	1
1	Nipple and wire assembly	R19101-G2	-	1
2	Conduit nut, 1/2"	K89681	-	2
3	Conduit flat washer, 1/2"	N16599-59	-	2
4	Elbow, 1/2" x 90°, F x F	K42428	-	2
5	Nipple, 1/2" x 1-1/8"	R11976-39	K18775	1
6	Light conduit (See Note 2)			
	• Dispensers	T18027	R12579-116	1
	• Pumps (factory-installed)	T18715	-	1
	• Pumps (K93757 retrofit kit)	R12579-120	-	
7	Elbow, 1/2" x 90 degrees (M x F)	K42448	-	1
8	Expansion union, (M x F)			
	• Pumps	N16289-20	-	1
	• Dispensers	Q10016-04	-	1
Notes: 1) Refer to MDE-2677 Kits K35497 and K93757 Lighted Canopy Conduit For The Advantage Series for more information. Kit includes additional parts not shown in this assembly.				
2) Previous parts were used on pumps built before 09/92. Current parts are used on pumps built after 09/92. These parts cannot replace each other.				