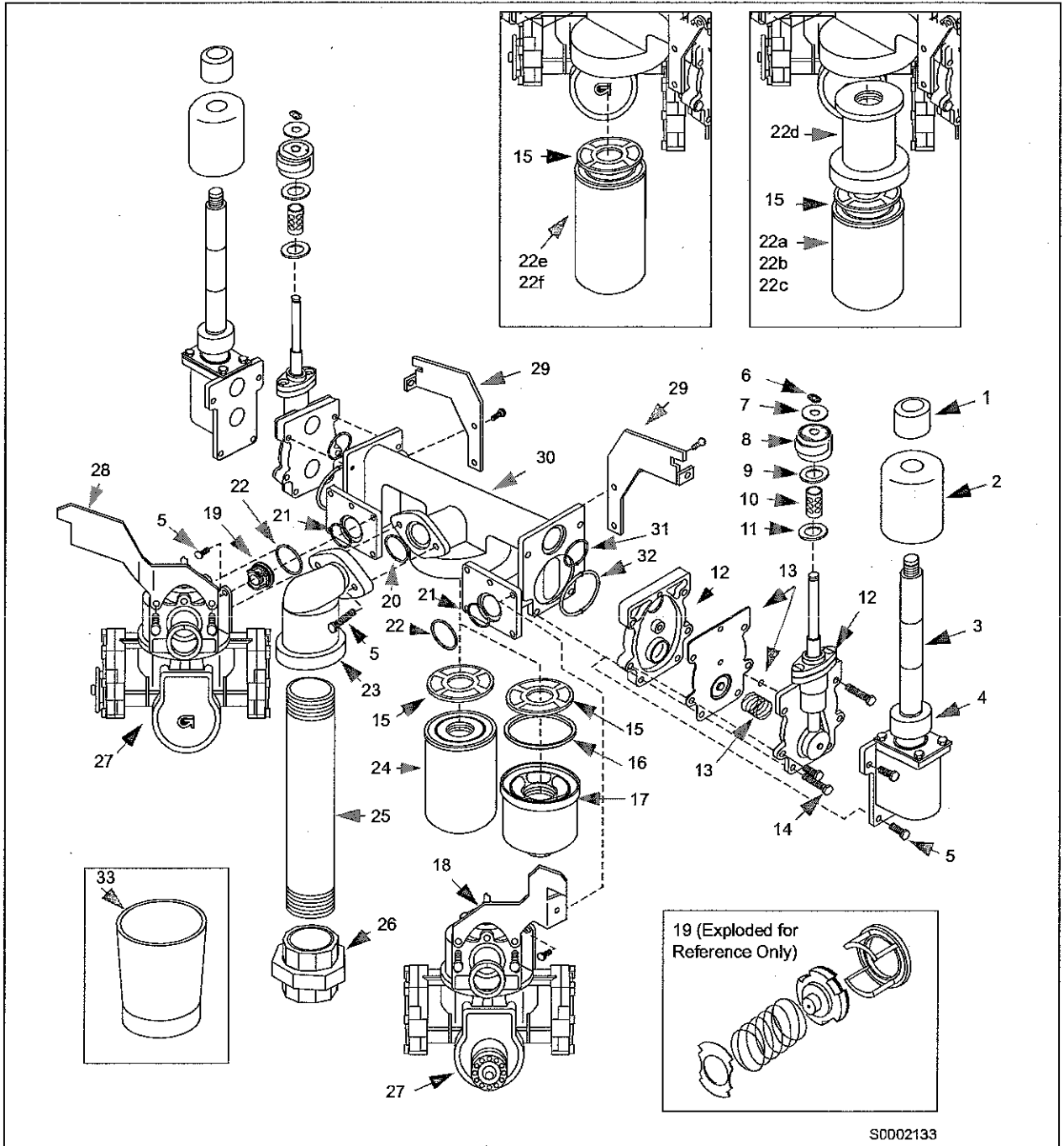


6 – Hydraulics Module Section

Hydraulic Module - Modular Electronics Units



Item #	Description	Current Part	Previous Part	Quantity
1	Coil retainer	N23318	-	(See Note 2)
2	Coil (See Note 3)	N23312-01	N23312	(See Note 2)
3	Proportional blend valve (blenders only), single stem (Entire valve assembly)	T18815	-	(See Note 2)
4	Valve seal (blenders) (See Note 1)	N16599-100	-	(See Note 2)
5	Bolt, 5/16-18 x 7/8" (See Note 1)	Q11889-15	Q10865-01	(See Note 2)
6	Retaining clip	K93773	-	(See Note 2)
7	Flux washer	K93774	-	(See Note 2)
8	Coil (See Note 4)			
	• 120 VAC/50/60Hz	N23232-02	N23232	(See Note 2)
	• 24 VAC/50Hz	N23232-03	-	(See Note 2)
9	Coil seal washer	N16599-101	-	(See Note 2)
10	Collar	K93775	-	(See Note 2)
11	Valve seal	K93557-01	-	(See Note 2)
12	Solenoid valve, 2 stage (shown exploded)	R19093	-	(See Note 2)
13	Solenoid repair kit (includes diaphragm, spring and washer)	R19093-02	R19093-01	(See Note 2)
14	Bolt, 5/16-18 x 1-1/2"	Q11889-18	Q10865-39	(See Note 2)
15	Filter strainer	R19457	-	1
16	Gasket	K93485	-	-
17	Filter cap (high capacity) to blank out filter	R18896-01	-	1
18	Bracket, meter	R19090-01	-	1
19	Check valve, meter			
	• Domestic	N23619-G2	N23663-G1	(See Note 2)
	• Export	N23619-G2	N23276-G1	(See Note 2)
20	O-Ring, 1-1/4" x 1-1/2" x 1/8"	Q10068-09	-	3
21	O-Ring, 1-5/16" x 9/16" x 1/8"	Q10068-10	-	3
22	O-Ring, 1-5/8" x 1-7/8" x 1/8"	Q10068-14	-	
23	Casting, manifold inlet (See Note 1)	T18453-10	-	1
24	Filter			
24a	• High capacity	R18189-10	-	1
24b	• High capacity, 30 micron	R18189-30	-	1
24c	• High capacity (water alert)	R18190	-	1
24d	• Extension assembly (MPD four-grade and single-hose +1 only)	W02818-G1	-	1
24e	• Extra long filter, standard	R20294-10	-	1
24f	• Extra long filter, water	R20295-10	-	1
25	Pipe, feedline (See Note 1)			
	• 1-1/2" x 14" (used with double poppet shear valve) (See Note 1)	R11533-28	-	1
	• 1-1/2" x 15-3/8" (used with single poppet shear valve) (See Note 1)	R11533-29	-	1
	• 1-1/2" x 13-5/8" (Canada only) (See Note 1)	R11533-27	-	1
26	Union			
	• 1-1/2" (See Note 1)	K12179	-	1
	• 1-1/2" (Canada only)	Q10846-08	-	1

Item #	Description	Current Part	Previous Part	Quantity
27	Meter (see "Pumps and Meters Section" on page 7-1)	PA024XXXXX	-	(See Note 2)
28	Bracket, meter	T18405-01	-	(See Note 2)
29	Bracket, manifold	T18441-02	T18441-01	(See Note 2)
30	Casting, manifold	W02808-10	-	1
31	O-Ring, 1-1/4" x 1-1/2" x 1/8"	Q10068-09	-	(See Note 2)
32	O-ring, 2-3/8" x 2-5/8" x 1/8"	Q10068-20	-	(See Note 2)
33	Fuel collector, 1 per filter	K35493	-	1

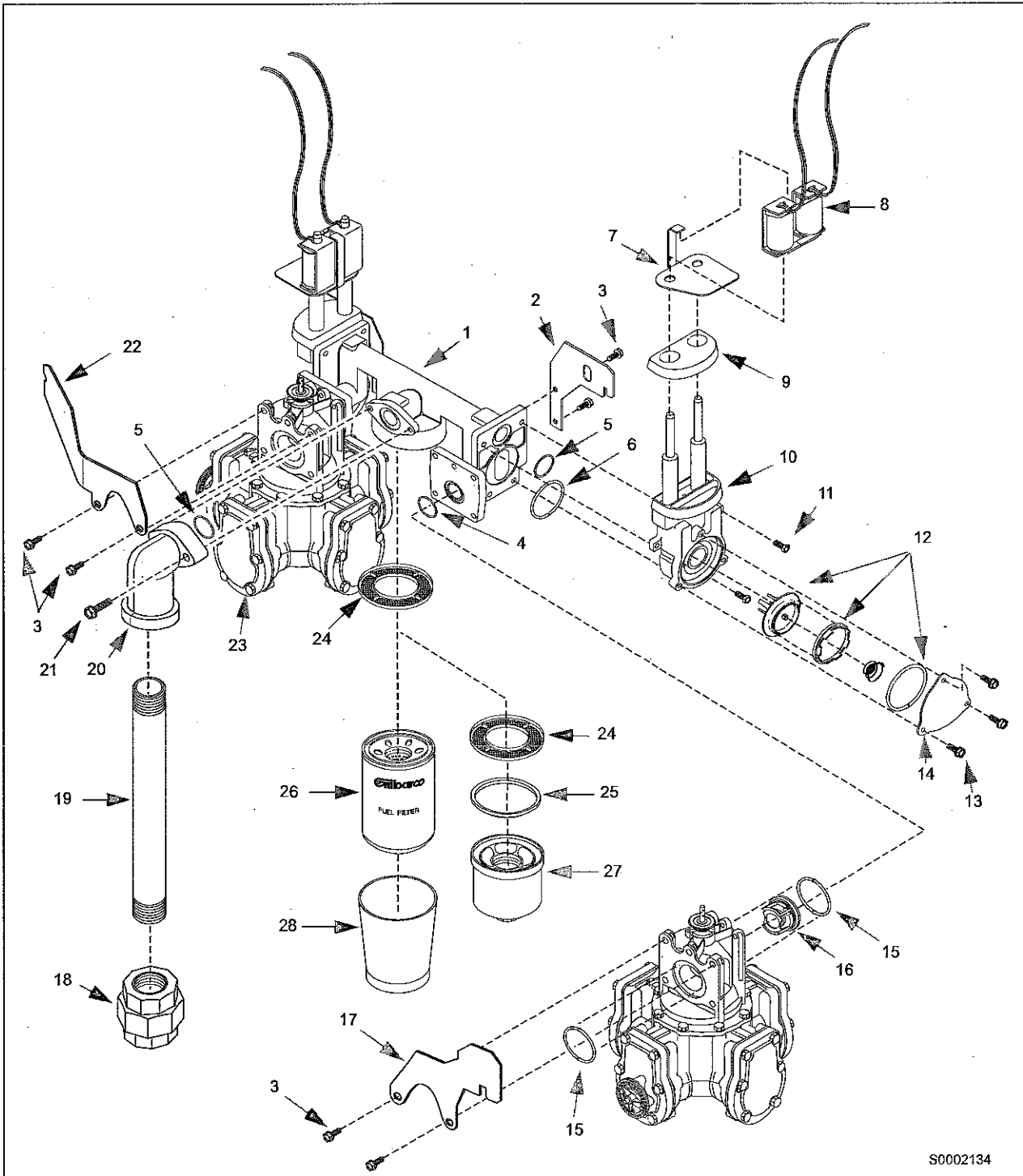
Notes: 1) Used on dispensers only.

2) Quantity varies per assembly.

3) When using new coil in blenders built before 01/94, order one R19826-G2 coil adaptor cable for each coil replaced.

4) When using new coil in units built before 01/94, order one R19826-G1 coil adaptor cable for each coil replaced.

Hydraulic Module - Optimized Electronic Blenders

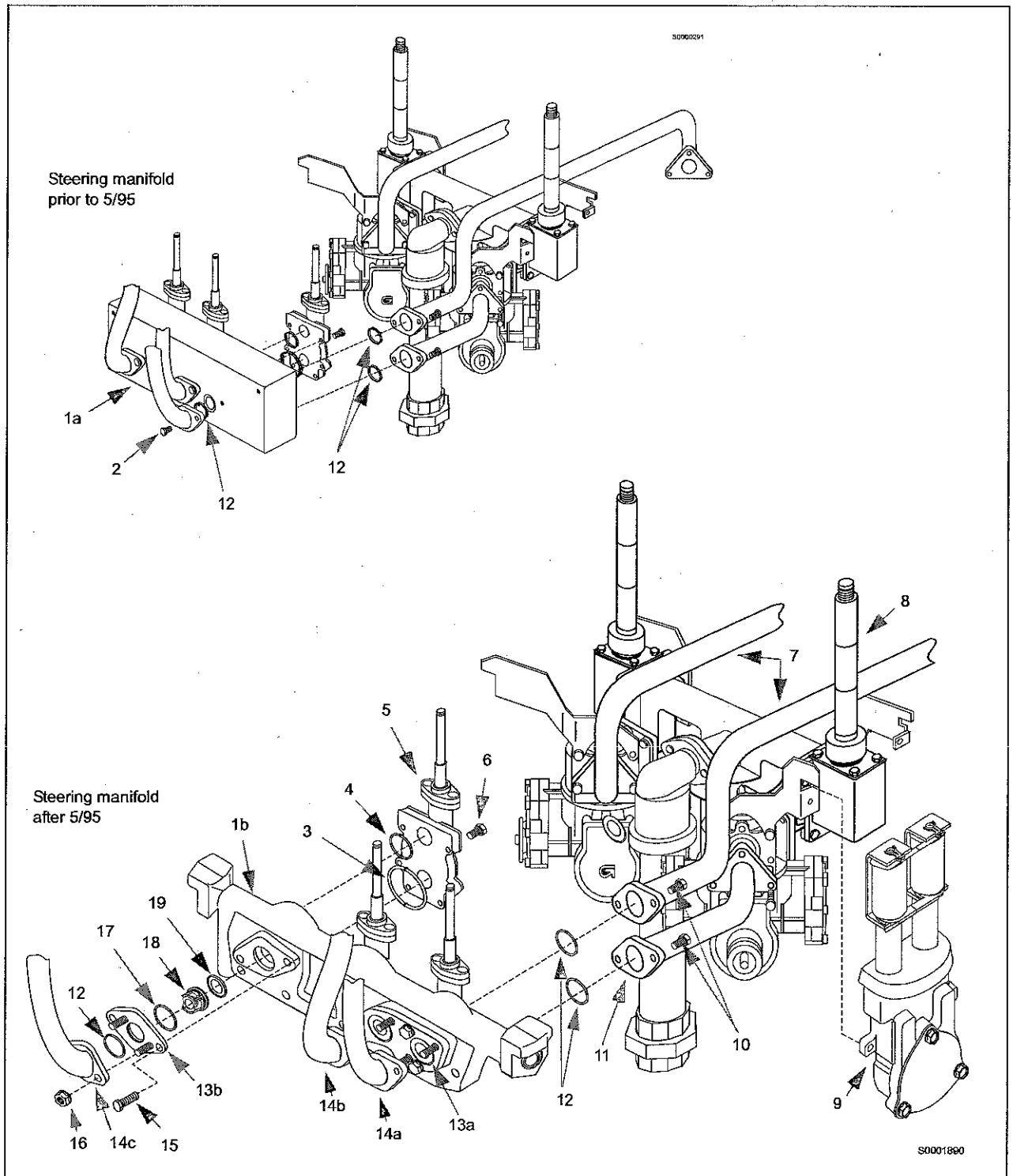


S0002134

Item #	Description	Current Part	Previous Part	Quantity
1	Manifold	W02808-10	-	1
2	Bracket, manifold			
	• All except four-grade units	R20342-01	-	2
	• Four-grade units only	R20342-02	-	2
3	Screw 5/16-18 x 7/8"	Q11889-15	-	4
4	O-Ring, 1-1/8" x 1-3/8" x 1/8"	Q10068-07	-	(See Note 2)
5	O-Ring, 1-1/4" x 1-1/2" x 1/8"	Q10068-09	-	(See Note 2)
6	O-Ring, 2-3/8" x 2-5/8" x 1/8"	Q10068-20	-	(See Note 2)
7	Washer	R20455-01	-	(See Note 2)
8	Coil assembly	N23785	-	(See Note 2)
9	Seal, digital valve	N2380801	-	(See Note 2)
10	Digital Control Flow Valve, 2 Stem	T20013-G1	-	(See Note 2)
11	Screw, 5/16-18 x 7/8"	Q11889-15	-	4
12	Diaphragm, spare parts kit (piston assembly, O-Ring, diaphragm retainer, label)	K94444-06	K94444-01	(See Note 2)
13	Bolt, 1/4-20 x 3/4" hex head, shouldered	(See Note 3)	-	3
14	Seal plate, diaphragm cover	R20072	-	2
15	O-Ring, 1-5/8" x 1-7/8" x 1/8"	Q10068-14	-	(See Note 2)
16	Check valve, high pressure	N23619-G2	-	(See Note 2)
17	Bracket, meter	T19838-01	-	2
18	Union 1-1/2"			
	• All except Canada	K12179	-	1
	• Canada only	Q10846-08	-	1
19	Pipe, product inlet, black iron			
	• 1-1/2" x 14" long	R11533-28	-	1
	• 1-1/2" x 13-5/8" long	R11533-27	-	1
	• 1-1/2" x 16" long	R11533-26	-	1
20	Manifold inlet casting	T18453-10	-	1
21	Screw, 5/16-18 x 1-1/2"	Q11889-18	-	2
22	Meter bracket	T19839-01	-	1
23	Meter (see "C Meter PA024xCxxxx" on page 7-17)	PA024xCxxxx	-	-
24	Strainer, high capacity (orient strainer insert with tabs toward filter)	R19457	-	1
25	Gasket	K93485	-	1
26	Filter			
	• High capacity	R18189-10	-	1
	• High capacity, 30 micron	R18189-30	-	1
	• High capacity (water alert)	R18190	-	1
	• Extension assembly (MPD four-grade and single-hose +1 only)	W02818-G1	-	1
	• Extra long filter, standard	R20294-10	-	1
	• Extra long filter, water	R20295-10	-	1
27	Filter cap, high capacity (To Blank-out Filter)	R18896-01	-	1
28	Collector, fuel	K35493	-	1

Item #	Description	Current Part	Previous Part	Quantity
<p><i>Notes: 1) Used on dispensers only.</i></p> <p><i>2) Quantity varies per assembly.</i></p> <p><i>3) Not available separately, part of digital control flow valve assembly.</i></p>				

Steering Manifold - 48" Blender Six-hose



Item #	Description	Current Part	Previous Part	Quantity
1	Steering manifold			
1a	• Prior to 3/96	-	W03034-10	2
	Bracket (not shown), for W03034 manifold	-	W03033-10	2
1b	• After 3/96 (See Note 1)	W03542-10	-	2
2	Bolt, 5/16-18 x 3/4" (used on W03003 bracket)	Q10865-35	-	8
3	O-Ring, 2-3/8" x 2-5/8" x 1/8"	Q10068-20	-	(See Note 2)
4	O-Ring, 1-1/4" x 1-1/2" x 1/8"	Q10068-09	-	(See Note 2)
5	Solenoid valve, two stage	R19093	-	(See Note 2)
6	Bolt, 5/16-18 x 3/4"	Q10865-39	-	(See Note 2)
7	Feedline, long	W02995-G1	-	2
8	Proportional blend valve (blenders only) – single stem	T18815	-	4
9	Digital flow control valve – two stem	T20013-G1	-	4
	The following are kits or replacement parts for T20013-G1:	-	-	-
	Repair kit, noise	K94444-06	K94444-01	-
	Seal repair kit	K94444-05	-	-
	Repair kit	K94444-07	-	-
	Digital valve coil assembly	N23785-01	-	-
10	Screw, 5/16-18 x 3/4"	Q10865-35	-	8
11	Feedline, short	T18814-G1	-	2
12	O-Ring, 15/16" x 1-3/16" x 1/8"	N16891-25	-	(See Note 2)
13	Cover plate			
13a	• Connects 2 discharge pipes to manifold	R20255-G1	-	2
13b	• Connects 1 discharge pipe to manifold	R20256-G1	-	2
14	Discharge piping (See Note 3)			
14a	• Position A1 and B3	W02996-G1	-	2
14b	• Position A2 and B2	W02997-G1	-	2
14c	• Position A3 and B1	W03152-G1	-	2
15	Bolt, 5/16-18 x 3/4"	Q11889-14	-	6
16	Nut, 5/16-18, serrated	Q11890-03	-	6
17	O-Ring, 1-5/8" x 1-7/8" x 1/8"	Q10068-14	-	6
18	Check valve assembly	N23619-G2	N23619-G1	6
19	O-Ring, seal assembly	Q13624-01	-	6
Notes: 1) Manifold installs without additional bracket.				
2) Quantity varies per assembly.				
3) See "Discharge Piping Section" on page 11-1 for additional information.				