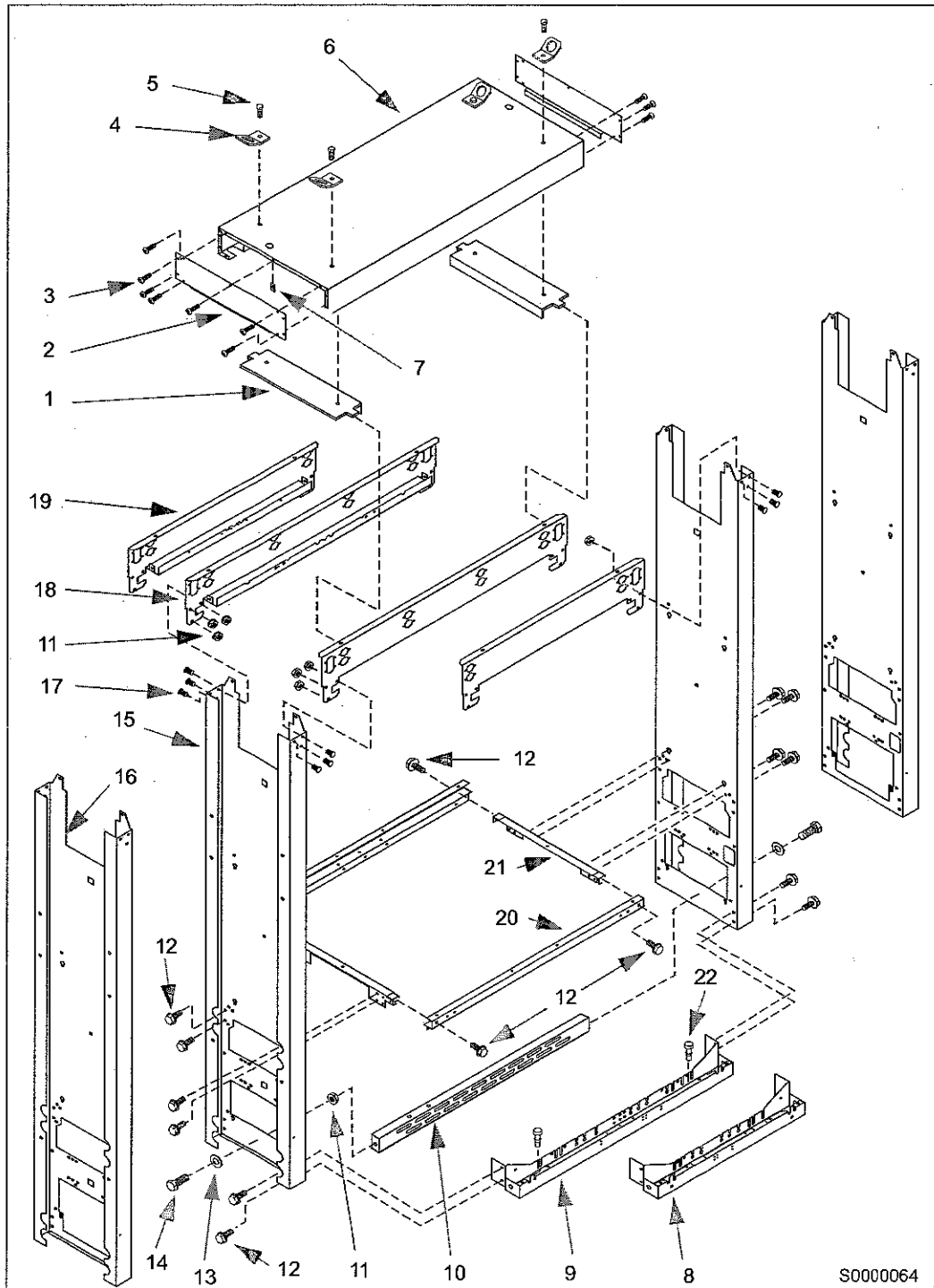


9 – Frames and Sheathing Section

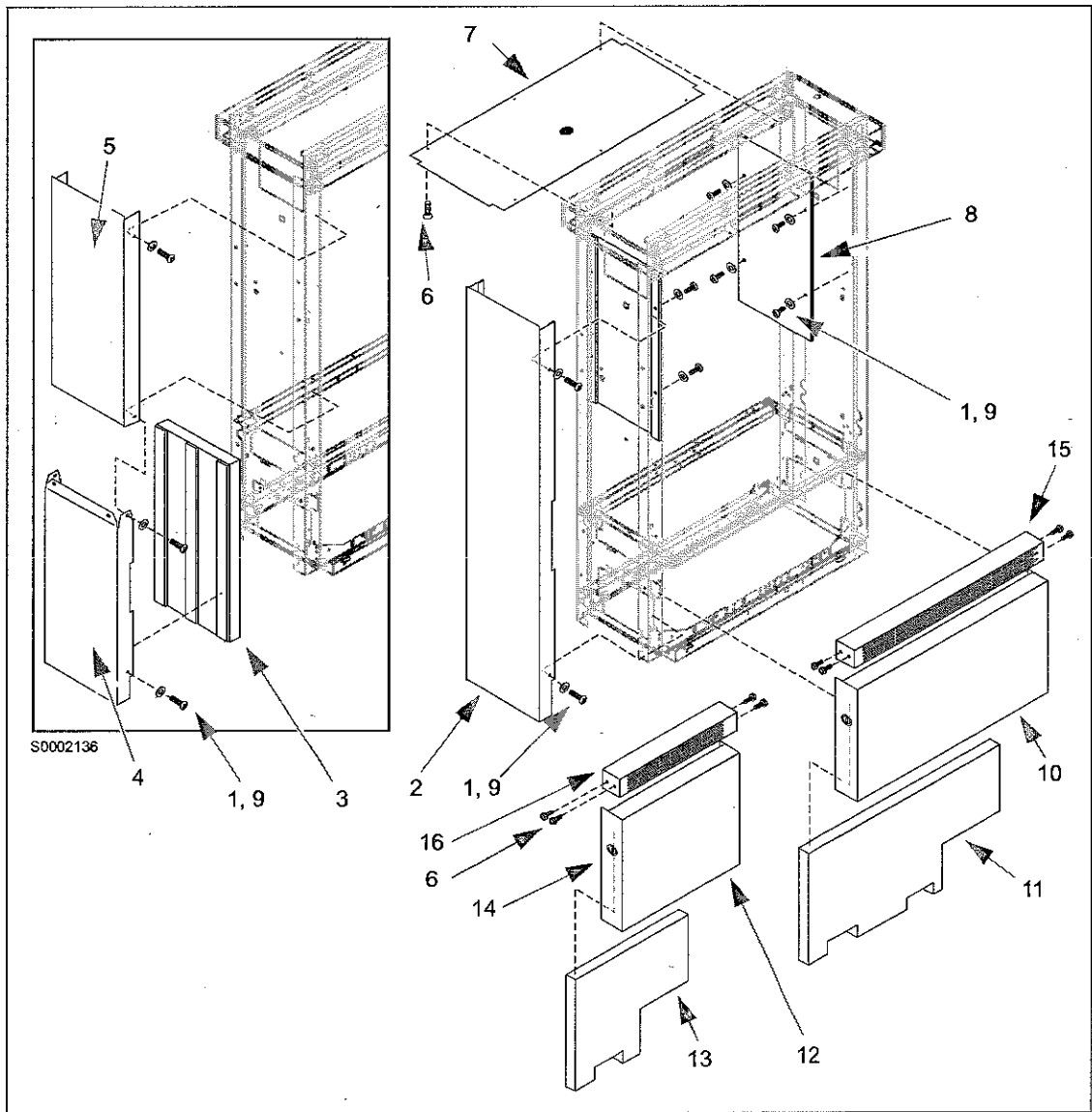
Frames



Item #	Description	Current Part	Previous Part	Quantity
1	Internal lifting bracket	T18842-G1	T18796-G1	2
2	End cover, upper housing – wide frame End cover, upper housing – narrow frame	W03866-G1**B0 W03867-G1**B0	W02988-02	2
3	Screw, 10-32 x 1/2"			
	• Stainless steel	Q11270-174	-	(See Note 1)
	• Black	Q11270-274	-	(See Note 1)
4	Lifting bracket	N23295	-	4
5	Bolt, 3/8"-16 x 1" (grade 8, lifting component)	Q12617-01	-	4
6	Cover, upper housing			
	• 48", 3-grade, black	W02982-02	W02982-01	1
	• 48", black, for MPD 4-grade	W03866-G1**B0	W02982-03	1
	• 48", painted (black)		W02982-04 (See Note 2)	
	• 48", painted (black), for MPD 4-grade		W02982-05 (See Note 2)	
	• 36", 1- or 2-grade, single hose, black	W03867-G1	W03016-01	1
	• 36", 1- or 2-grade, single hose, painted		W03016-02	
	• 36", 2-grade, dual hose, black (obsolete)	N/A	W03063-01	-
7	Speed nut, type U	K81038-26	-	(See Note 1)
8	Base, 36" (black)	W03578-01**B0	W02973-02	2
9	Base, 48" (black)	W03573-01**B0	W02954-02	2
10	Inlet piping support (dispenser only)			
	• 36"	T20129-01	T18853-01	1
	• 48"	T20101-01	T18841-01	1
11	Nut, 5/16"-18	Q11890-05	-	(See Note 1)
12	Screw, 5/16"-18 x 3/4"	K85736-43	-	(See Note 1)
13	Washer	K42999	-	2
14	Bolt, 5/16"-18 x 7/8"	K45523	-	2
15	Column, dispensers	W02972-03	W02972-02 T18748-G2	2
16	Column, pumps	W03112-03	W03112-02 W03112	2
17	Stud, 5/16"-18 x 1/2"	K83677-20	-	8
18	Upper piping housing support, 48"	W03650-01	W02971-03 W02971-02 W02971-01	2
19	Upper piping housing support, 36" – single-hose blender Upper piping housing support, 36" – dual-hose blender	W03666-01 W03666-02	W03012-02 W03012	2
20	Rail support, hydraulics			
	• 36"	T18507-02	-	2
	• 48"	T18407-03	T18407-02	2
21	Rail end, hydraulics	W03648-01	W02956-02	2
22	Rubber bumper	Q10775-05	-	4

Item #	Description	Current Part	Previous Part	Quantity
Not shown	For Hose outlet plug • Bracket • Nut • Cover	N23308 Q10099-01 R19442-G1	-	1
<p>Notes :1) Quantity varies with model. 2) Order entry item and specify the color and graphics while ordering.</p>				

Sheathing



Item #	Description	Current Part	Previous Part	Quantity
1	Screw, 10-32 x 1/2"			
	• Stainless steel	Q11270-174	-	(See Note 1)
	• Black	Q11270-274	-	(See Note 1)
2	One-piece outer sheathing			
	• Stainless steel	W02871-03	W02981-01	2
	• Black	W02871-04**B0	W02981-02	2
	• Extended reach model (stainless steel)	W03285-01	-	2
3	Column insulation (pumps only)	R19744	-	2
4	Outer-lower sheathing, painted black, two-piece (See Note 2)	W02871-04**B0	W03104-06 W03104-03	2
5	Outer-upper sheathing, painted black, two-piece (See Note 2)	W03103-06**B0	W03103-03	2
6	Screw			
	• Stainless, 10-32 x 3/8"	K85736-47	-	(See Note 1)
	• Black, 10-32 x 3/8"	K85736-45	-	(See Note 1)
7	Bottom plate, upper housing			
	• 48", black	T18837-01	T18752	1
	• 48", painted (See Note 2)	T18837-02**B0	T18752	1
	• 36", black	T18838-01	T18752	1
	• 36", painted (See Note 2)	T18838-02**B0	T18752	1
8	Inner sheathing			
	• Stainless steel	W03078-01	-	2
	• Black	W03078-05**B0	W03078-02	2
	• Painted (black)	W03078-03**B0	-	2
9	Nylon washer, black (used with screw Q11270-274; see item #1)	K90997	-	(See Note 1)
10	Lower access panel, 48" (with lock and keys)			
	• White	W02755-G1	-	2
	• Stainless steel	W02755-G2	-	2
	• Painted (See Note 2)	W02755-GXX	-	2
11	Lower door insulation, 48" (pumps only)			
	• Side A	R19747	-	1
	• Side B	R19748	-	1
12	Lower access panel, 36" (with lock and keys)			
	• White	W02959-G1	-	2
	• Stainless steel	W02959-G2	-	2
	• Painted (see note 2)	W02959-GXX	-	2
13	Lower door insulation, 36" (pumps only)			
	• Side A	R19745	-	1
	• Side B	R19746	-	1
14	Key	K83512-25	-	4
	Lock assembly	K94246-01	-	4

Item #	Description	Current Part	Previous Part	Quantity
15	Air gap grill, 48" units			
	• Dispenser (black)	T20001-01**B0	T18462-01	2
	• Pump	W03113	-	2
16	Air gap grill, 36" units			
	• Dispenser (black)	T20083-01**B0	T18509-01	2
	• Pump	W03114	-	2
<p>Notes :1) Quantity varies with model.</p> <p>2) Order entry item. Please specify color and graphics when ordering.</p>				

This page is intentionally left blank.