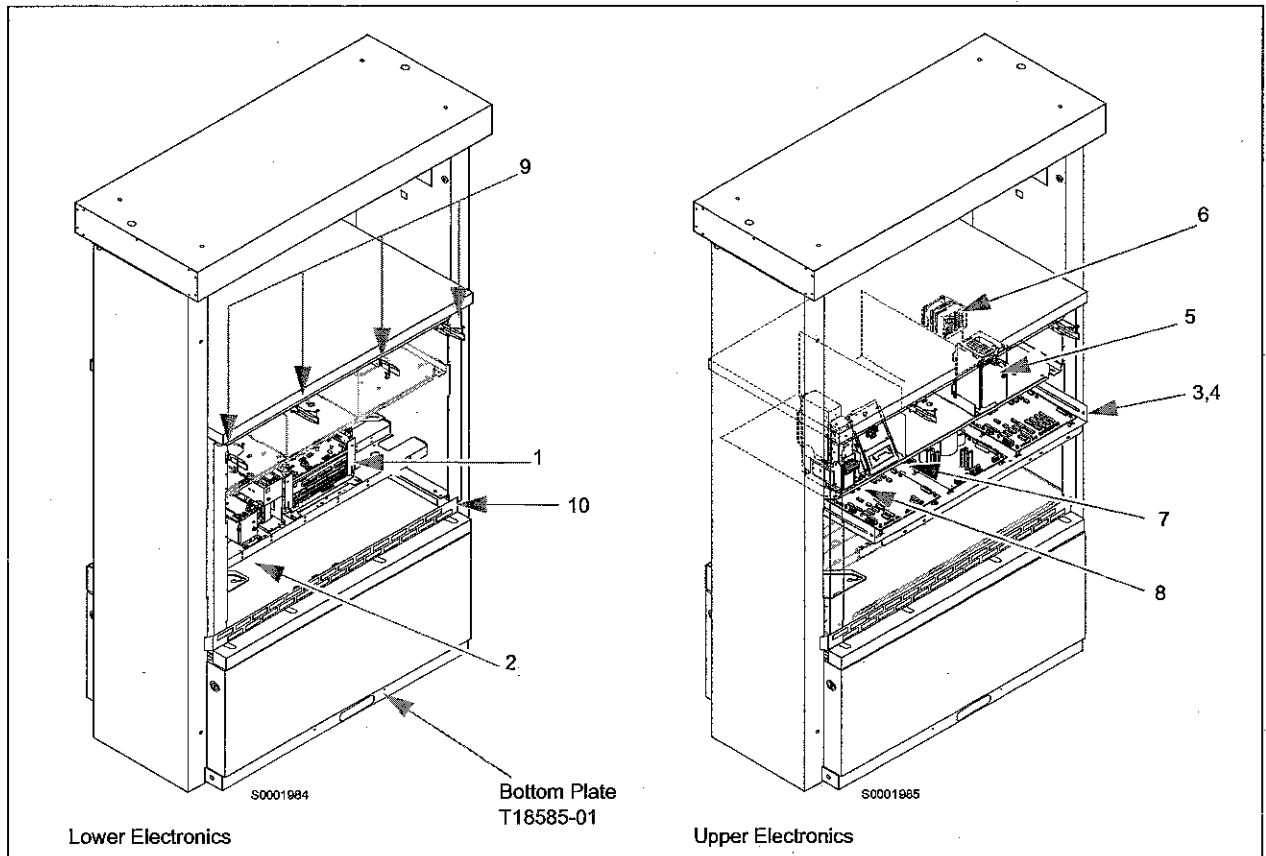


3 – Electronics Cabinet Section

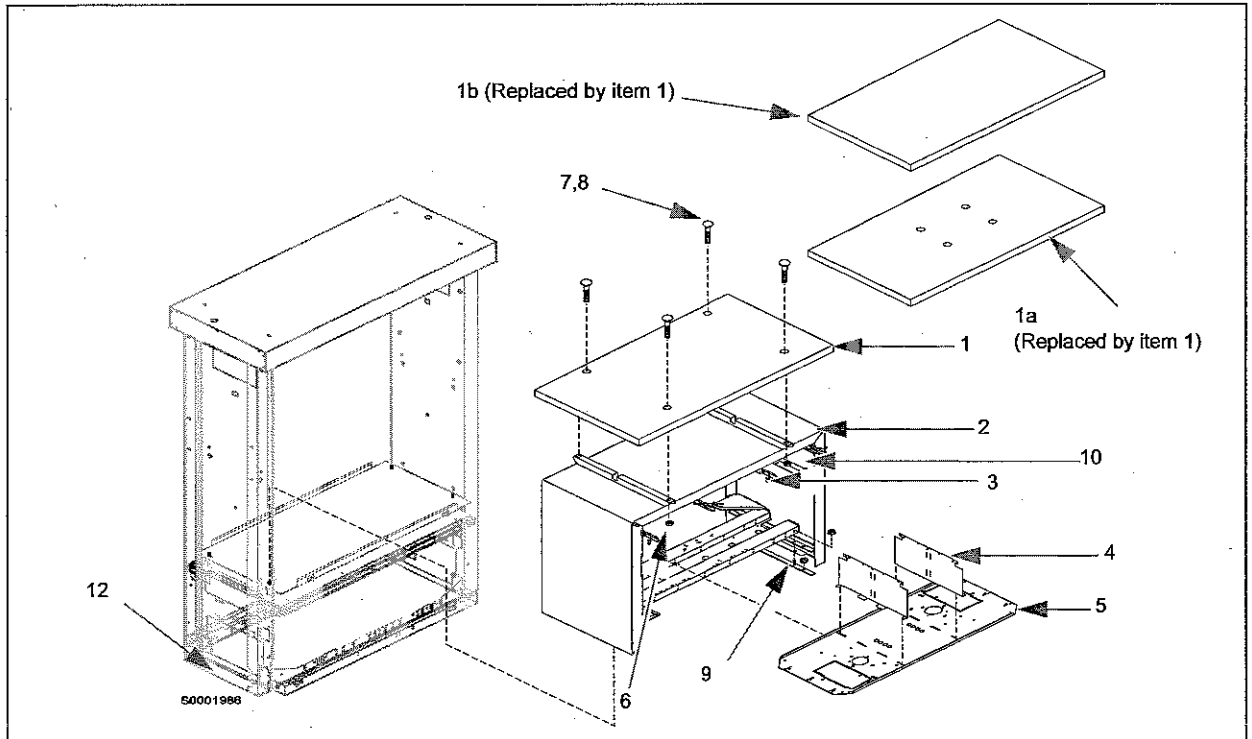
Electronics Assembly - 48"



Electronics Cabinet Section

Item #	Description	Current Part (Optimized)	Current Part (Modular)	Previous Part (Modular)	Quantity	Refer to
1	Modular electronics card cage	PGT18914-GXX	-	-	1	Modular Card Cage (pages 3-6 through 3-9 and 3-11)
-	Blender power supply (No longer used after 4/1/99)	-	-	W02453-G4	1	Blender Power Supply (W02453-G4)
2	Electronics power supply	T19706-G3 (was T19706-G2)	T19706-G1	T16513-G8	1	Combined Power Supply (T19706-GX)
3	CRIND power supply logic tray assembly (Single-Line)	W03446-GX	-	-	1	PT-1736
4	CRIND logic tray assembly (Info/Mono)	W03657-GXX	-	-	1	PT-1736
5	InfoScreen® card cage	T19544-G1	-	-	1	PT-1736
6	InfoScreen heater	T19557-G1	-	-	1	PT-1736
7	CRIND printer/cutter assembly	T20490-GX	-	T17684-GXR	2	PT-1736
8	Cash acceptor vault assembly	M03898A001 (was W03095-G2)	-	-	2	PT-1736
9	Draw latch, toggle with wire links: • For slide in mount • For non-slide in mount	Q12563-04 Q12563-01	-	-	8	-
10	Bolt guides	R19439-01	-	-	8	-
11	Weld Nut	Q12516-01	-	-	1	-
12	Retaining Weld Nut Bracket	N23831-01	-	-	1	-
13	Screw	K85736-15	-	-	2	-
14	Screw, Thread Forming, Hex Washer Head (Not Shown)	Q13292-40	-	-	2	-
15	Retainer, Screw (Not Shown)	Q10922-02	-	-	2	-

Cabinet Assembly - 48"

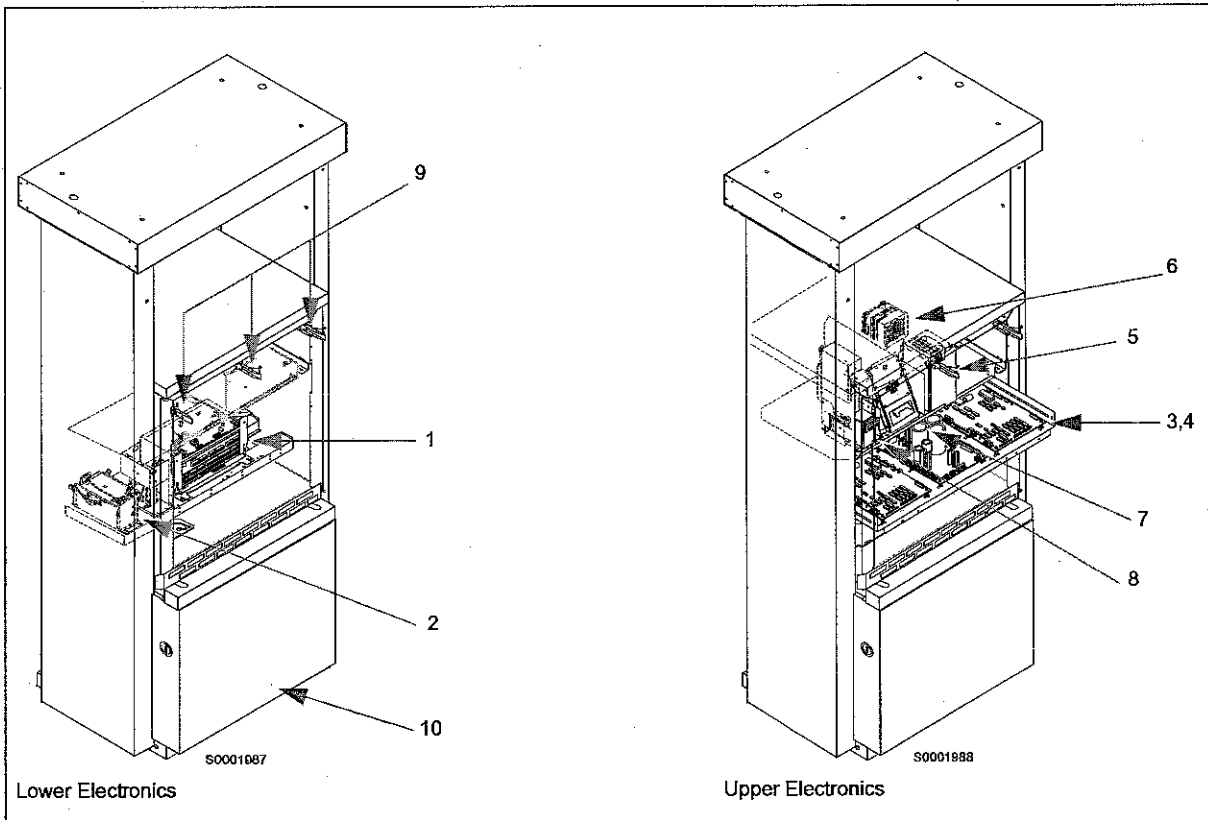


Item #	Description	Current Part	Previous Part	Quantity
1	Top Cover, 48" (Order entry item) • With pem studs • With no pem studs	T18600-XX T18600-G1 T18600-01	-	1
1a	Top Cover, 48" (used from 5/93 to 7/96) (See Note 1)	-	T18600-XX	1
1b	Top Cover, 48" (used from 1/91 to 5/93) (See Note 1) kit	K96605-01	T17569-G2	1
-	Top Plate, 48" (used with T17569-G2; not shown)	-	T17572-G2	1
2	Chassis kit, 48" frame (See Notes 2 & 4)	K96585-01	T17502-G3	1
3	Draw latch (rivet base) (See Note 3) Draw latch (clip base) (See Note 3)	Q12563-03 Q12563-04	Q12563-05 Q12563-01	8
4	Center bracket, black	T17731-04	T17731-G3	2
5	Printer tray, 48"	T18700-G3	-	1
6	Hex nut, flange serrated, #10-24	Q11890-07	-	4
7	Bolt, black #10-24 x 3/4" (See Note 5)	K02394-50	-	4
8	Bolt, stainless steel #10-24 x 3/4" (See Note 5)	K02394-51	-	4
9	Mounting Bracket, lower	T20421-G1	-	1
10	Mounting Bracket, upper	T20422-01	-	1
11	Top cover bracket kit	K96605-01	-	1
12	Base, Cosmetic Cover	T18585-01	-	1

Electronics Cabinet Section

Item #	Description	Current Part	Previous Part	Quantity
<i>Notes: 1) - Quantities per unit.</i>				
2) T17729-G2 was built from 01/91 to 05/93. T18599-G1 was built from 05/93 to 7/96. Current and previous parts cannot replace each other.				
3) T17732-G3 was used on units built prior to 4/20/98. T20114-GX was used on units built after 4/20/98. To install new (T20114) on units built prior to 4/20/98 - order kit K96585-02.				
4) Draw latch Q12563-04 clips on unit while latch Q12563-01 is attached by using bolts #10-32.				
5) The bracket configures one needed for older units prior to 12/22/98 to adapt the hole configuration on the current chassis.				
6) Customer to use black or stainless steel bolts as required for specific Top Cover unit.				

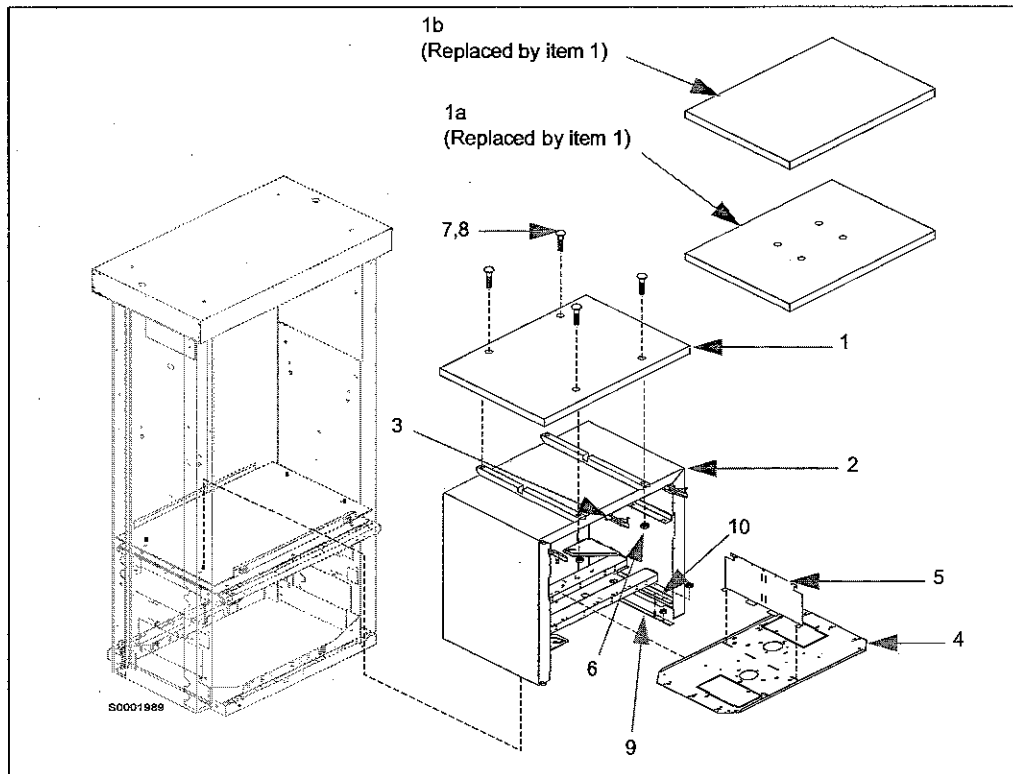
Electronics Assembly - 36"



Item #	Description	Current Part (Optimized)	Current Part (Modular)	Previous Part (Modular)	Quantity	Refer
1	Modular electronics card cage	PGT18914-GXX (MFG only)	-	-	1	PT-1736
-	Blender power supply (No longer used after 4/1/99)	-	-	W02453-G4	1	Blender Power Supply (W02453-G4)
2	Electronics power supply	T19706-G3 (was T19706-G2)	T19706-G1	T16513-G8	1	Combined Power Supply (T19706-GX)
-	Logic tray assemblies	-	-	-	-	-
3	CRIND power supply logic tray assembly (Single-Line)	W03446-GX	-	-	1	PT-1736

Item #	Description	Current Part (Optimized)	Current Part (Modular)	Previous Part (Modular)	Quantity	Refer
4	CRIND logic tray assembly (Info/Mono)	W03657-GXX	-	-	1	PT-1736
5	InfoScreen card cage	T19544-G1	-	-	1	PT-1736
6	InfoScreen heater	T19557-G1	-	-	1	PT-1736
7	CRIND printer/cutter assembly	T20490-GX	-	T17684-GXR	2	PT-1736
8	Cash acceptor vault assembly	M03898A001 (was W03095-G2)	-	-	2	PT-1736
9	Draw latch, toggle with wire links	Q12563-04	-	-	6	-
10	Base, Cosmetic Cover	T18585-01	-	-	1	-

Cabinet Assembly - 36"



Item #	Description	Current Part	Previous Part	Quantity
1	Top Cover, 36" (Order entry item), color coded	T18599-XX	-	1
1a	Top Cover, 36", black (See Note 1), color coded	-	T18599-XX	1
1b	Top Cover, 36", black (See Note 1), color coded	-	T17729-G2	1
-	Top Plate, 36" (used with T17729-G2; not shown) (See Note 1)	-	T17728-G2	1
2	Chassis kit, 36" frame (See Notes 2 and 4)	K96585-02	T17732-G3	1
3	Draw latch (rivet base) (See Note 3) Draw latch (clip base) (See Note 3)	Q12563-03 Q12563-04	Q12563-05 Q12563-01	6

Item #	Description	Current Part	Previous Part	Quantity
4	Printer tray, 36"	T17730-G3	-	1
5	Center bracket, black	T17731-04	T17731-G3	1
6	Hex nut, flange serrated, #10-24 (See Note 5)	Q11890-07	-	4
7	Bolt, black #10-24 x 3/4" (See Note 5)	K02394-50	-	2
8	Bolt, stainless steel #10-24 x 3/4"	K02394-51	-	2
9	Mounting Bracket, lower	T20421-G1	-	1
10	Mounting Bracket, upper	T20422-01	-	1

Notes: 1) - Quantities per unit.

2) T17729-G2 was built from 01/91 to 05/93. T18599-G1 was built from 05/93 to 7/96. Current and previous parts cannot replace each other.

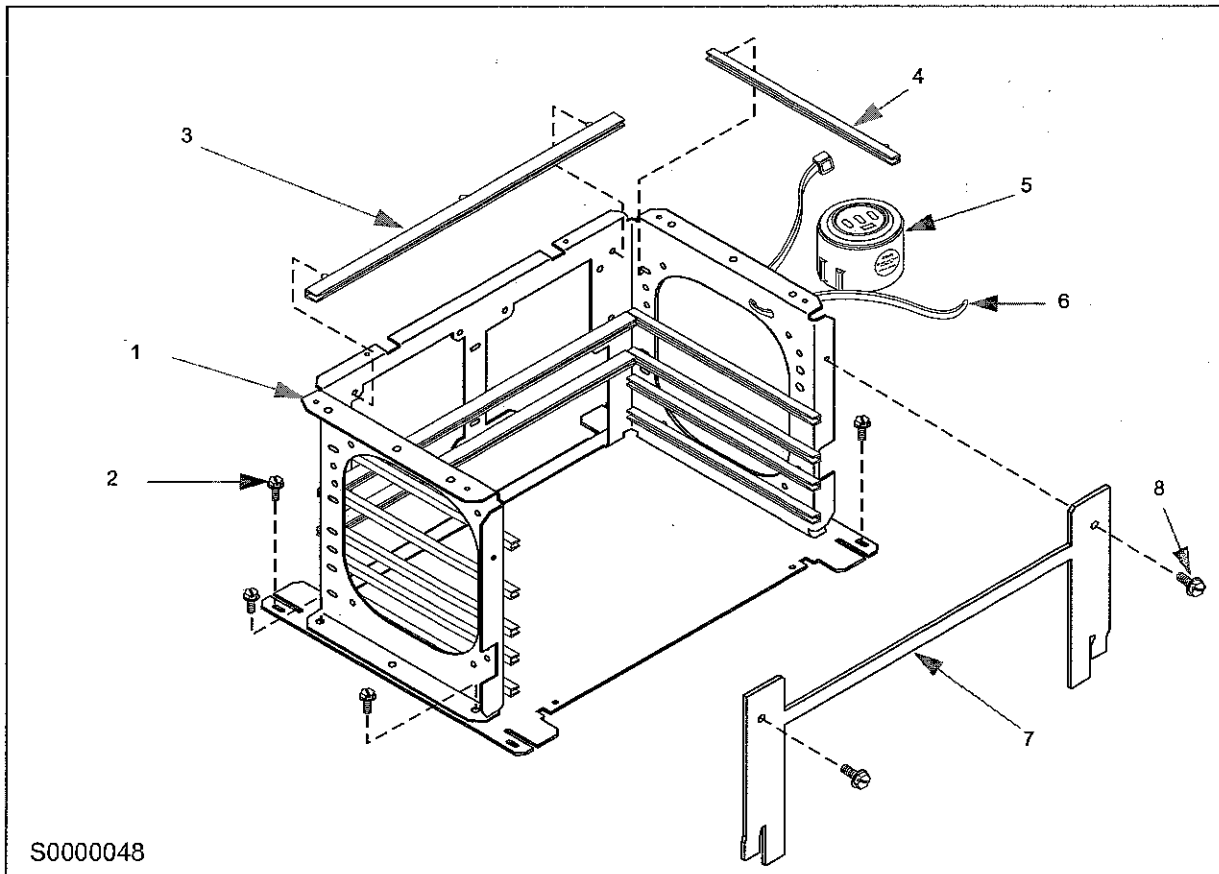
3) T17732-G3 was used on units built prior to 4/20/98. T20114-GX was used on units built after 4/20/98. To install new (T20114) on units built prior to 4/20/98 - order kit K96585-02.

4) Draw latch Q12563-04 clips on unit while latch Q12563-01 is attached by using bolts #10-32.

5) The bracket configurates one needed for older units prior to 12/22/98 to adapt the hole configuration on the current chassis.

6) Customer to use black or stainless steel bolts as required for specific Top Cover unit.

Modular Card Cage Assembly (Metal Type)



Item #	Description	Current Part	Previous Part	Quantity
-	Card Cage Assembly (See Notes 1 and 2)	PGT18914-GXX (MFG only)	-	1
1	Card Cage (used from 1/90 through 3/99) (See Note 3)	T17288-G3	-	1
2	Screw, Hex Head, Unslotted, #10-32 x 1/2"	K85736-15	-	4
3	Snap-in Card Guide, 8"	Q10233-06	-	3
4	Snap-in Card Guide, 6"	Q10233-05	-	10
5	Transducer, Audio (See Note 4)	Q11763-01	-	1
6	Cable Tie (See Note 4)	Q10178-07	-	1
7	Retainer Bracket	T19073-01	T19073-G1	1
8	Screw, #6-20 x 3/8"	Q11677-24	-	2

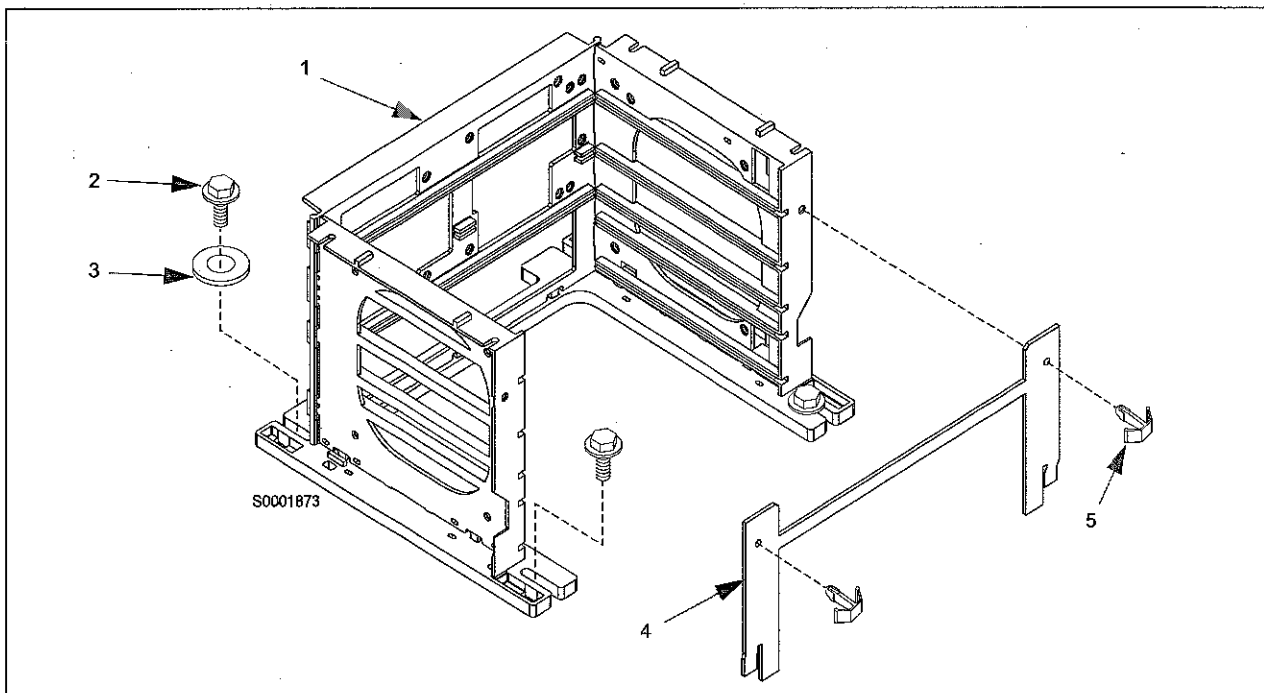
Notes: 1) Card Cage Assembly PGT18914-GXX includes Items 1, 3, 4, 5, 6, 7, and 8.

2) See "Modular Card Cage Board Configurations" on page 3-11 for the latest board configurations.

3) T20361-G1 (plastic) is a direct replacement for T17288-G3 except for units using VaporVac system.

4) Cable Tie and Transducers are not on Card Cage Assemblies PGT18914-G37, -G39, -G41, -G43, -G44 and -G45.

Modular Card Cage Assembly (Plastic Type)



Electronics Cabinet Section

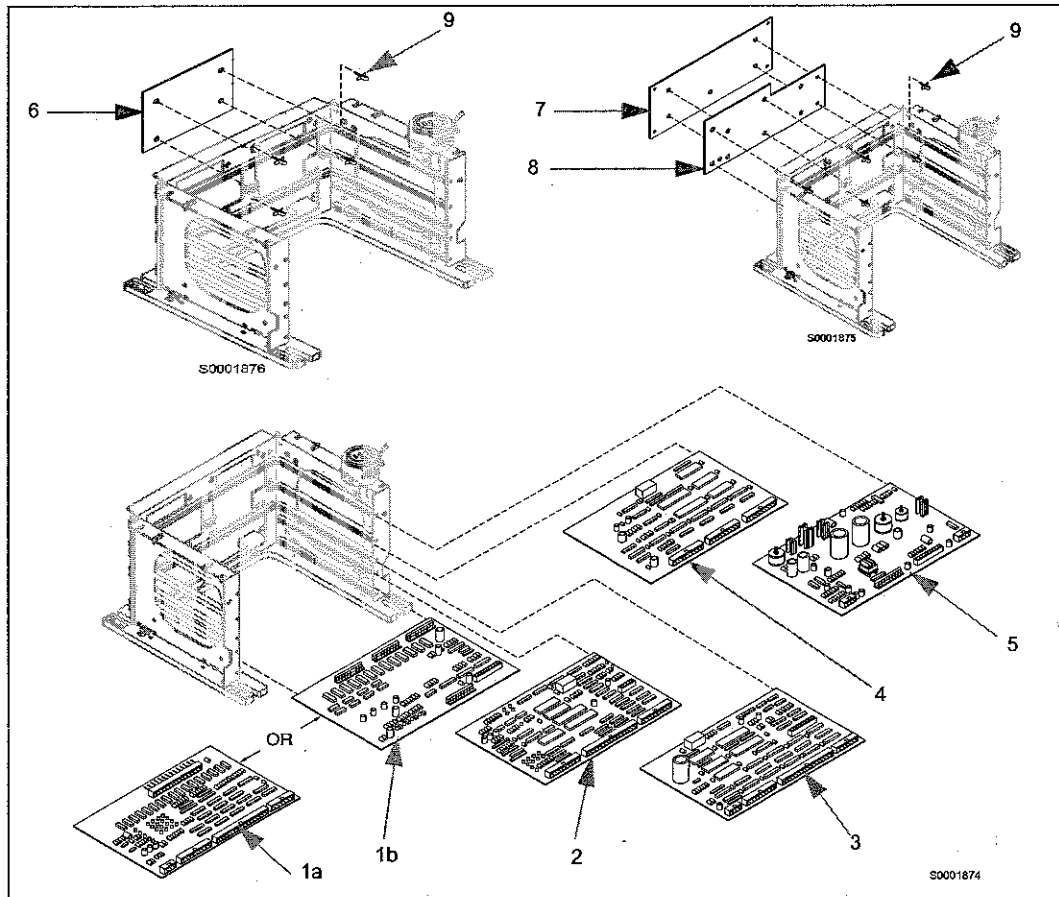
Item #	Description	Current Part	Previous Part	Quantity	G Level PGT18914- GXX
-	Card Cage Assembly (See Notes 1 and 2)	PGT18914-GXX (MFG only)	-	1	G1 through G45
1	Plastic Card Cage	T20361-G1	-	1	G1 through G45
2	Bolt And Washer Combination	Q13702-01	-	4	G1 through G45
3	Washer, Nylon	K83513-13	-	1	G1 through G45
4	Front Bracket	T20361-05	-	1	G1 through G45
5	Standoff	Q13701-01	-	2	G1 through G45

Notes: 1) Card Cage Assembly PGT18914-GXX includes Items 1 through 5. G Level column lists specific dash numbers for each Card Cage Assembly.

2) See "Modular Card Cage Printed Circuit Boards" on page 3-9 for additional parts.

3) See "Modular Card Cage Board Configurations" on page 3-11 for latest board configurations.

Modular Card Cage Printed Circuit Boards



Item #	Description	Current Part	Previous Part	Quantity	G Level
-	Card Cage Assembly (See Notes 1 and 2)	PGT18914-GXX (MFG only)	-	1	(PGT18914-GXX)
1a	Hydraulic Interface Board (MPDs)	T18024-G2	-	1	G1, G5, G6, G10, G33, G34, G35, G36
1b	Valve Driver Board (Blenders)	T17461-G2	-	1	G3, G8
2	Hydraulic Interface Board (Blenders)	T18156-G1	-	1	G3, G8
3	Pump Controller Board (See Note 3)	T20005-G4	T18202-G4	1	G1, G3, G5, G6, G8, G10
4	Programmable Pump Preset Board (See Notes 3 and 5)	T17331-G3	-	1	G6, G8, G10
5	Main Regulator Board	T17723-G2	T17723-G1	1	G1, G3, G5, G6, G8, G10, G33, G34, G35, G36
6	Grade Select Board (1 to 3 grades) (See Note 8)	T19756-G1	-	1	G5, G10, G15, G20, G23, G26, G29, G32 G35, G36
7	Grade Select Board (4 grades)	T19800-G1	-	1	G5, G10, G35, G36
8	STP Driver Bracket	R19776-02	-	1	G5, G10, G35, G36

Item #	Description	Current Part	Previous Part	Quantity	G Level
9	Circuit Board Support, 1/4" (See Note 7)	Q10651-02	-	1	G5, G10, G35, G36, G39, G41, G44, G45
10	Pump Controller PCB (See Note 6)	T20005-G5	-	1	G33, G34, G35, G36

Notes: 1) Card Cage Assembly PGT18914-GXX includes Items 1 through 10. G Level column lists specific dash numbers for each Card Cage Assembly. See "Modular Card Cage Assembly (Plastic Type)" on page 3-7 for additional parts.

2) See "Modular Card Cage Board Configurations" on page 3-11 for latest board configurations.

3) Use T17331-G4 and T18202-G5 for European models. T18202-G5 has been replaced by T20005-G5, Item 10.

4) T17723-G2 used for new units.

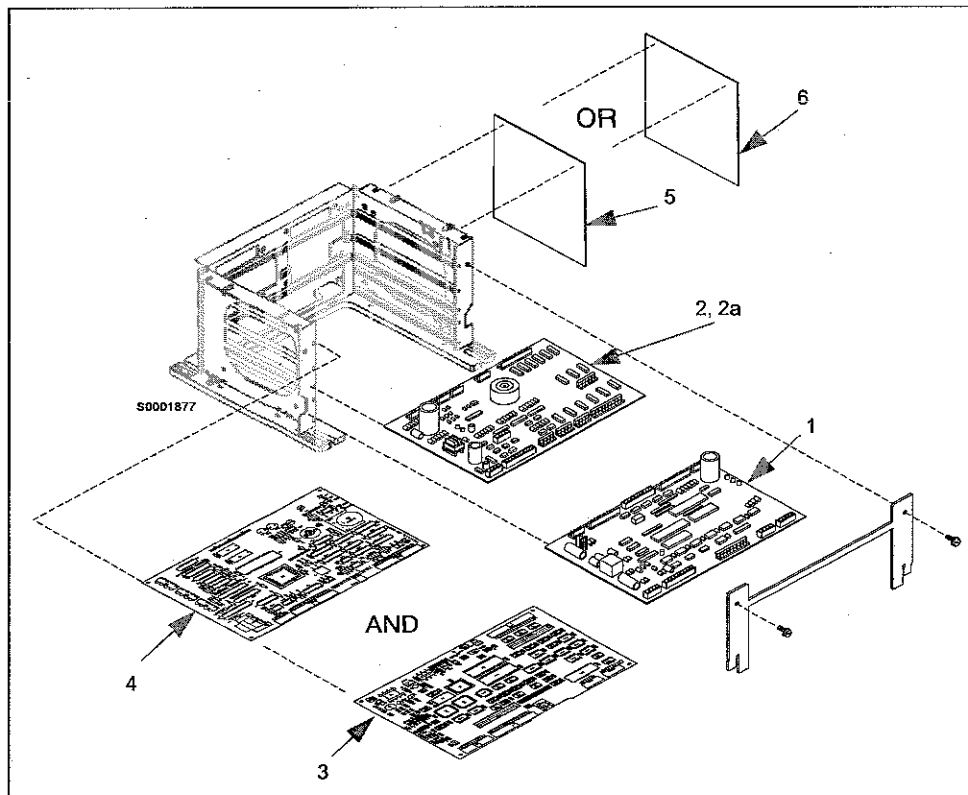
5) This position used for T19501-G1 board when Monochrome is used.

6) T20005-G5 is non-illustrated. CE European use only.

7) Circuit Board Support is used for both Modular and Optimized units. Quantities will vary between the two units. Use quantity of 8 on circuit boards -G5, -G10, -G35, -G36; use quantity of 4 on circuit boards -G39, -G41, -G44, -G45.

8) Grade Select Board T19756-G1 used only with modular units.

Optimized Electronics Card Cage Printed Circuit Boards



Item #	Description	Current Part	Previous Part	Quantity	Card Cage Assembly PGT18914-GXX
-	Plastic Card Cage Assembly (See Note 1)	T20361-G1	-	1	G1 through G45
1	Pump Interface Assembly	T20076-G3	T20076-G1	1	G37, G39, G41, G43, G44, G45
2	Pump Controller Board (See Note 2)	T20011-G1	-	1	G37, G39, G41
2a	Pump Controller Board (See Note 2)	T20011-G2	-	1	G43, G44, G45
3	Optimum ATC Ctrl, PCA (Canada only) (See Note 3)	T20287-G1	-	1	G44
4	Optimum monochrome CPU (See Note 3)	T19501-G2	T19501-G1	1	(See Note 3)
5	Optimum Relay Printed Circuit Board (See Note 4)	T20284-G1	-	1	G41, G45
6	Optimum Grade Select Printed Circuit Board	T20275-G1	-	1	G39, G44

Notes: 1) See "Optimized Card Cage Board Configurations" on page 3-13 for latest board configurations.

2) T20011-G1 used on units PGT18914-G37, -G39, -G41. T20011-G2 used on units PGT18914-G43, -G44, -G45.

3) T20287-G1 and T19501-G2 are both optional boards.

4) T20284-G1 is used with 6-hose Blender.

Modular Card Cage Board Configurations

Unit Description (See Note 1)	PPP	ATC	Hose Outlet	Use Board Item # (See Note 2)	Part Number (PGT18914-GXX) (MFG only)	Replaced P/N (See Note 3)
Blenders						
36" SB, 48" SB or FB	-	-	Other	1b, 2, 3, 5	-G3	-
36" SB, 48" SB or FB	Yes	-	Other	1b, 2, 3, 4, 5	-G8	-
36" SB, 48" SB or FB	-	-	VaporVac	1b, 2, 3, 5	-G13	replaced by -G3
36" SB, 48" SB or FB	Yes	-	VaporVac	1b, 2, 3, 4, 5	-G18	replaced by -G8
36" SB, 48" SB or FB	-	Yes	Other	1b, 2, 3, 5	-G22	replaced by -G3
36" SB, 48" SB or FB	Yes	Yes	Other	1b, 2, 3, 4, 5	-G25	replaced by -G8
36" SB, 48" SB or FB	-	Yes	VaporVac	1b, 2, 3, 5	-G28	replaced by -G3
36" SB, 48" SB or FB	Yes	Yes	VaporVac	1b, 2, 3, 4, 5	-G31	replaced by -G8
Non-Blenders						
36", 48" Dispenser or Pump, 1-3 grades	-	-	Other	1a, 3, 5	-G1	-
48" Dispenser, 4 grades	-	-	Other	1a, 3, 5, 6, 7, 9	-G5	-
36", 48" Dispenser or Pump, 1-3 grades	Yes	-	Other	1a, 3, 4, 5	-G6	-
48" Dispenser, 4 grades	Yes	-	Other	1a, 3, 4, 5, 6, 7, 9	-G10	-
36", 48" Dispenser or Pump, 1-3 grades	-	-	VaporVac	1a, 3, 5	-G11	replaced by -G1
48" Dispenser, 4 grades	-	-	VaporVac	1a, 3, 5, 6, 7, 9	-G15	replaced by -G5
36", 48" Dispenser or Pump, 1-3 grades	Yes	-	VaporVac	1a, 3, 4, 5	-G16	replaced by -G6
48" Dispenser, 4 grades	Yes	-	VaporVac	1a, 3, 4, 5, 6, 7, 9	-G20	replaced by -G10

Electronics Cabinet Section

Unit Description (See Note 1)	PPP	ATC	Hose Outlet	Use Board Item # (See Note 2)	Part Number (PGT18914-GXX) (MFG only)	Replaced P/N (See Note 3)
36", 48" Dispenser or Pump, 1-3 grades	-	Yes	Other	1a, 3, 5	-G21	replaced by -G1
48" Dispenser, 4 grades	-	Yes	Other	1a, 3, 5, 6, 7, 9	-G23	replaced by -G5
36", 48" Dispenser or Pump, 1-3 grades	Yes	Yes	Other	1a, 3, 4, 5	-G24	replaced by -G6
48" Dispenser, 4 grades	Yes	Yes	Other	1a, 3, 4, 5, 6, 7, 9	-G26	replaced by -G10
36", 48" Dispenser or Pump, 1-3 grades	-	Yes	VaporVac	1a, 3, 5	-G27	replaced by -G1
48" Dispenser, 4 grades	-	Yes	VaporVac	1a, 3, 5, 6, 7, 9	-G29	replaced by -G5
36", 48" Dispenser or Pump, 1-3 grades	Yes	Yes	VaporVac	1a, 3, 4, 5	-G30	replaced by -G6
48" Dispenser, 4 grades	Yes	Yes	VaporVac	1a, 3, 4, 5, 6, 7, 9	-G32	replaced by -G10
36", 48" Dispenser or Pump, 1-3 grades (European)	-	-	Other	1a, 5, 10	-G33	-
36", 48" Dispenser or Pump, 1-3 grades (European)	Yes	-	Other	1a, 5, 10	-G34	-
48" Dispenser, 4 grades (European)	-	-	Other	1a, 5, 6, 7, 9, 10	-G35	-
48" Dispenser, 4 grades (European)	Yes	-	Other	1a, 5, 6, 7, 9, 10	-G36	-

Notes: 1) FB = Fixed Blender. SB = Selectable Blender.

2) See "Modular Card Cage Board Configurations" on page 3-11 for board definitions and part numbers.

3) This column shows a list of all part numbers (P/N) that are replaced with another -dash number.

Optimized Card Cage Board Configurations

Unit Description	PPP	ATC	Hose Outlet	Use Board item # (See Note 1)	Part Number (PGT18914-GXX)(MFG only)
Blenders					
Advantage w/Optimized Electronics x+1, 4+x, 5+x	Yes	-	-	1, 2, 6, 9	-G39
Advantage w/Optimized Electronics 6 hose	Yes	-	-	1, 2, 5, 9	-G41
Advantage w/Optimized Electronics x+1, 4+x, 5+x (CE European)	Yes	-	-	1, 2a, 6, 9	-G44
Advantage w/Optimized Electronics 6 hose, (CE European)	Yes	-	-	1, 2a, 5, 9	-G45
Non-Blenders					
Advantage w/Optimized Electronics 3 grades	Yes	-	-	1, 2	-G37
Advantage w/Optimized Electronics 3 grades, (CE European)	Yes	-	-	1, 2	-G43

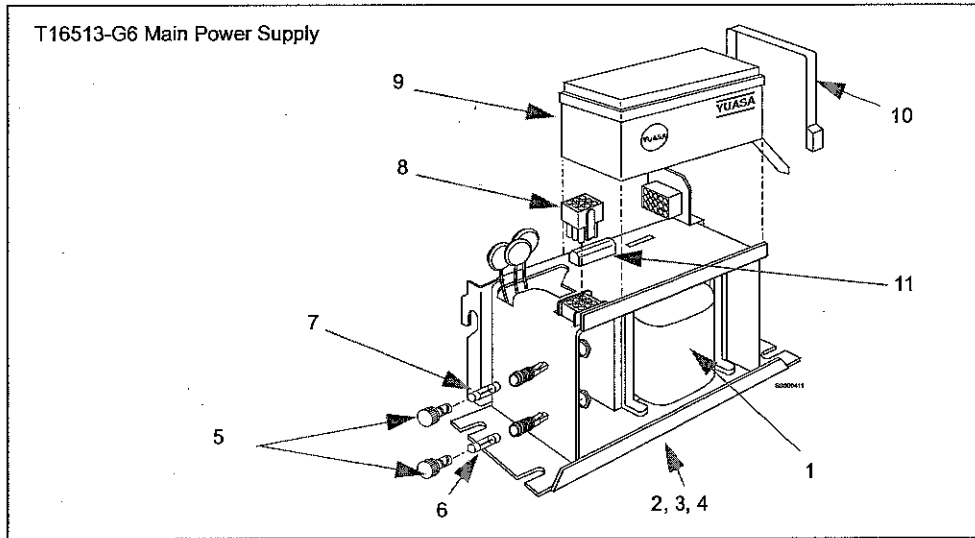
Note: See "Optimized Card Cage Board Configurations" on page 3-13 for board definitions and part numbers.

Main Power Supply Distribution

For this Period	The Advantage model	Requires This Power Supply	With this G Level	Has These Features	Interchangeable With
Before 7/97	Modular	T16513*	-G5	Can be used with backlight power supplies T17772-G1 and -G4. T17772-G1 replaced by kit K94126.	None
			-G6	Supplies backlight power and has battery.	None
	Modular and 4X4		-G8	Uses IDC connectors and does not use battery.	K94441-01 except 4x4 K94434-01 for 4x4
8/97-7/98	All, except 4x4 and Optimized Electronics	T19706	-G1	<ul style="list-style-type: none"> Combine CRIND and main power supplies Direct replacement for T16513-G8 with kit K94441-01. Not interchangeable with -G2 60 Volts 	None
4/1/99	With Optimized Electronics		-G2	<ul style="list-style-type: none"> Combine CRIND and main power supplies Not interchangeable with -G1 24 Volts 	None
-	4x4			Direct replacement for T16513-G8 with kit K94434-01.	-
7/97	4x4 and optimum	T19868	-G1	Combined power supply replaces T16513-G8	None

* Q11955-01 battery is replaceable for T16513-G5 and -G6.

Main Power Supply (T16513-G6)



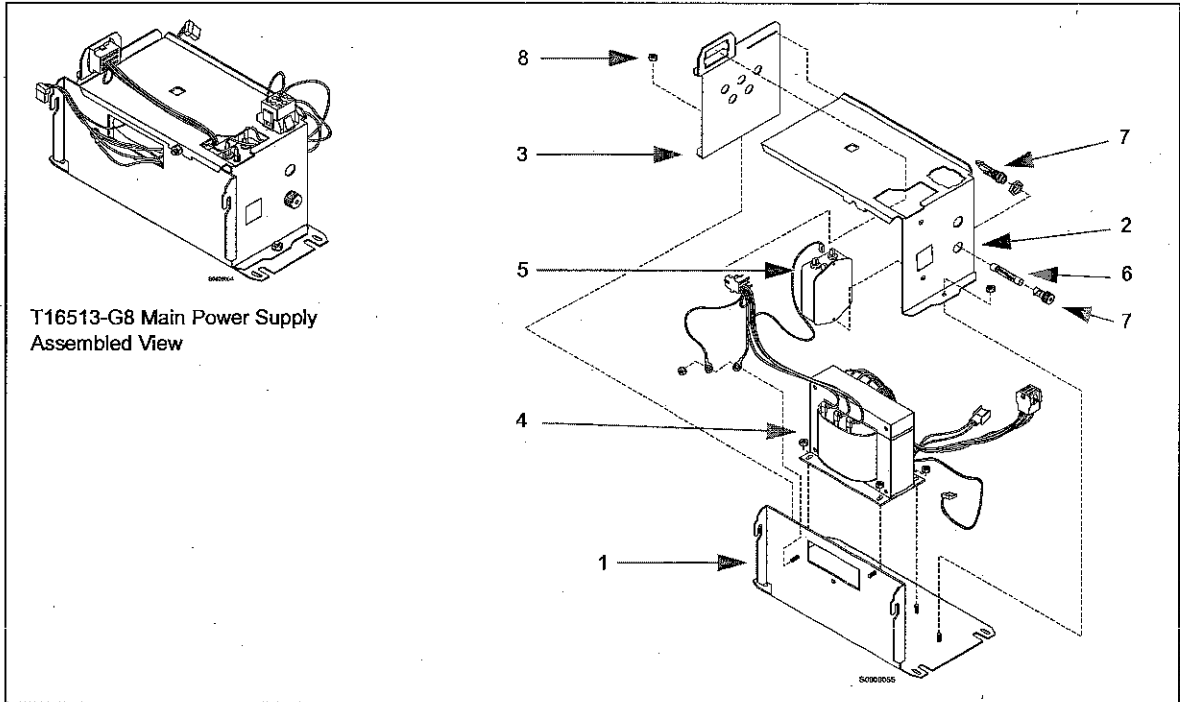
Item #	Description	T16513-G6	T16513-G5	Quantity
	Main power supply assembly (See Note 1)			
-	• 09/93 to 10/95	-G6	-	-
-	• Before 09/93	-	-G5	-
1	Transformer subassembly	Q12939-02	Q12190-01	1
2	Power Supply Bracket, Top	T17478-G2	-	1
3	Power Supply Bracket, End	T17479-G2	-	1
4	Power Supply Bracket, Base	T17477-G2	-	1
5	Fuse Holder Assemblies	Q11781-01	-	2
6	Fuse, 3a, 250v	Q101311-03	-	1
7	Fuse, 4a, 250v	Q10131-26	-	1
8	Variable Voltage Plug (Order Entry Item)	N21120-GXX	-	1
9	Battery, Lead Acid 2.5ah	Q11955-01	-	1
10	Cable Tie	Q10178-06	-	1
11	Resistor	K89231-07	-	1
12	Fuse Decal (Not Shown)	R16795-34	R16795-31	1

Notes: 1) - Quantities per main power supply.

2) Assembly Includes Items 1 through 13.

Main Power Supply (T16513-G8)

Note: Replaced in 08/97 by "Main Power Supply Distribution" (T19706-G1) – see Combined Power Supply (T19706-GX).



Item #	Description	Current Part	Previous Part	Quantity
-	Main power supply assembly		-	
-	• 10/95 to 08/97 (See Notes 1 and 2)	T16513-G8	-	1
1	Power supply bracket, base	T17477-G2	-	1
2	Power supply bracket, top	T17478-02	-	1
	Decal, AC fuse warning; not shown (See Note 3)	R16795-40	-	1
3	Power supply bracket, end	T17479-02	-	1
4	Power transformer, 115-240V, 50/60Hz	Q12939-02	-	1
5	AC line filter	Q10895-07	-	1
6	Fuse, 3 AMP, 250 V	Q10131-03	-	1
7	Fuse holder	Q11781-01	-	1
8	Hex nut, #8-32	Q12068-03	-	8

Notes: 1) – Quantities per main power supply

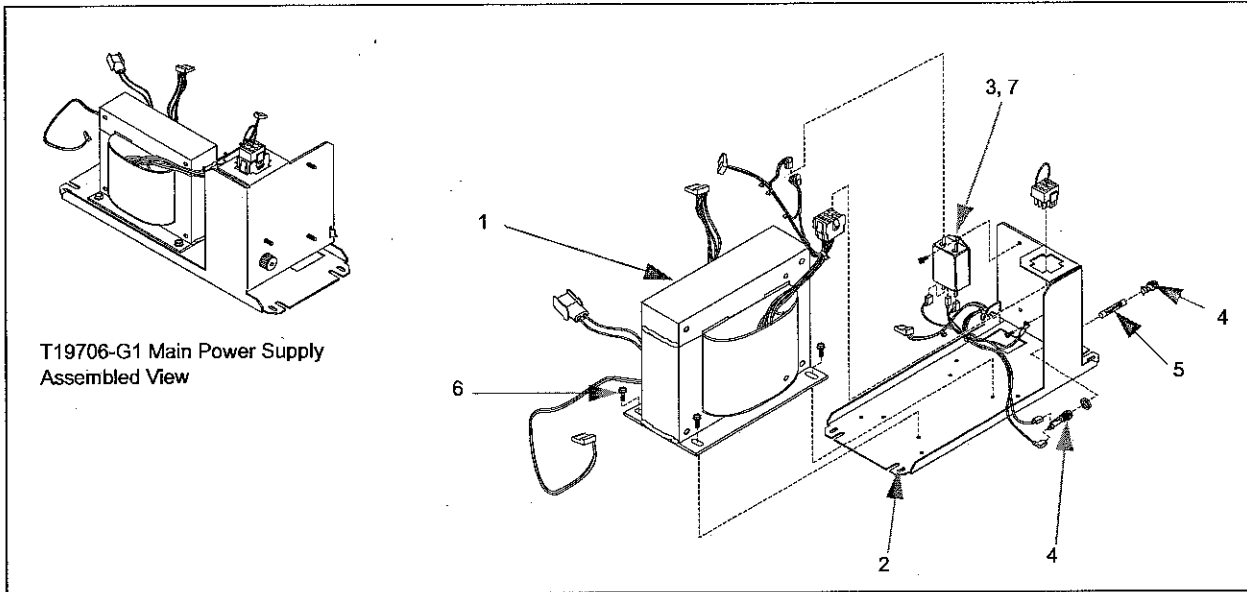
2) Main Power Supply Assembly Includes Items 1 through 8.

3) T16513-G8 is replaced by T19706-G1.

4) AC fuse warning R16795-40 is no longer used on this assembly. Active from 1/23/95 to 8/13/97.

Combined Power Supply (T19706-GX)

Note: Released 08/97. Replaces Main Power Supply (T16513-G8).



Item #	Description	Current Part	Previous Part	Quantity
-	Combined power supply assembly (See Note 1)	-	-	-
-	• 4/99 to present (See Note 3)	T19706-G3	T19706-G2	1
-	• 08/97 to present (See Note 2) – part of K94441-01	T19706-G1	T16513-G8	1
1	Transformer subassembly	R20241-G1	-	1
2	Power supply base bracket	T19696-01	-	1
3	Filter	Q10895-07	-	1
4	Fuse holder assembly	Q11781-01	-	1
5	Fuse, 5A, 250V	Q10131-04	-	1
6	Screw, #10-32 x 1/4"	K85736-14	-	4
7	Screw, #8-32 x 1/4"	K85736-13	-	3
-	Fuse decal (not shown)	R16795-45	-	1

Notes: 1) - Quantities per combined power supply.

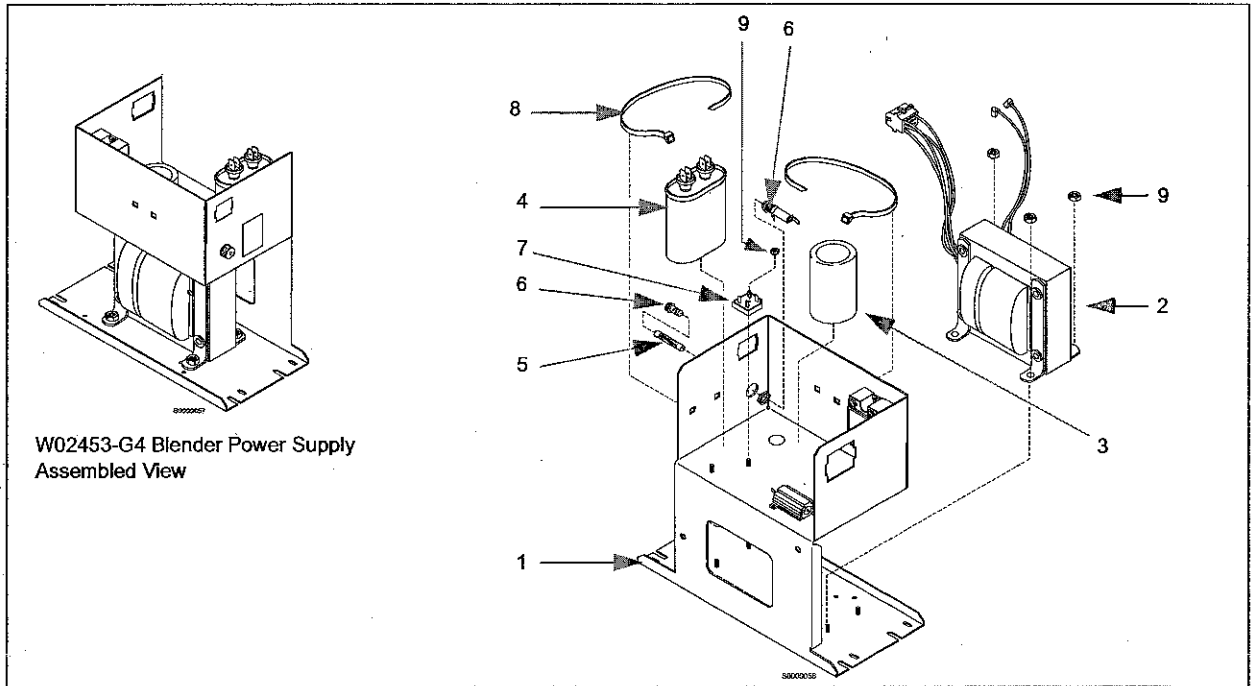
2) Combined Power Supply assembly includes Items 1 through 8. Replaces main power supply T16513-G8.

3) Power supply T19706-G1 built after 7/97. Used on all Advantage models except 4x4 and Optimized Electronic units.

4) Power supply T19706-G2 built after 8/98; replaced by T19706-G3 beginning in 2/00. Used on 4x4 and Optimized Electronic units.

Blender Power Supply (W02453-G4)

Note: Replaces Blender Power Supply (W02453-G2).



Item #	Description	Current Part	Previous Part	Quantity
-	Blender power supply assembly (See Note 1)			
-	• Units manufactured prior to 4/99. (See Notes 2 & 3)	W02453-G4	W02453-G2	1
1	Power supply chassis	W03459-G2	-	1
	Decal, fuse	R16795-25	-	1
2	Valve driver assembly	R18988-G1	-	1
3	Capacitor, 2100 MF, 75 VDC	Q10271-31	-	1
4	Capacitor, 2 MF, 600 VAC	Q12018-01	-	1
5	Time-delay fuse, 4A, 250 VAC	Q10131-37	-	1
6	Fuse holder	Q11781-01	-	2
7	Bridge rectifier	Q10459-03	-	1
8	Cable tie	Q10178-05	-	2
9	Hex nut, #8-32	Q12068-03	-	6

Notes: 1) Assembly includes Items 1 through 9. Used in Advantage Series blenders.

2) For units built after 4/99 with Optimized Electronics. See "Combined Power Supply (T19706-GX)" on page 3-16 (T19706-G3).

3) Power supply W02453-G2 inactive since 1995.

This page is intentionally left blank.