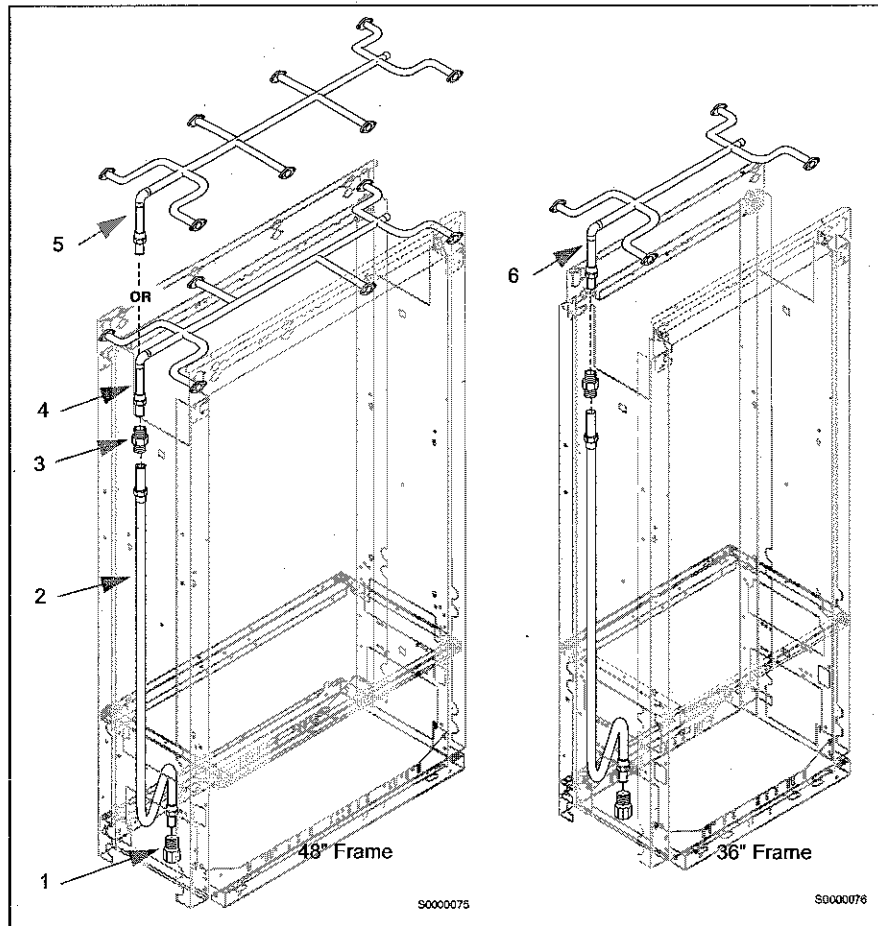


# 11 – Discharge Piping Section

## Balance System Vapor Piping



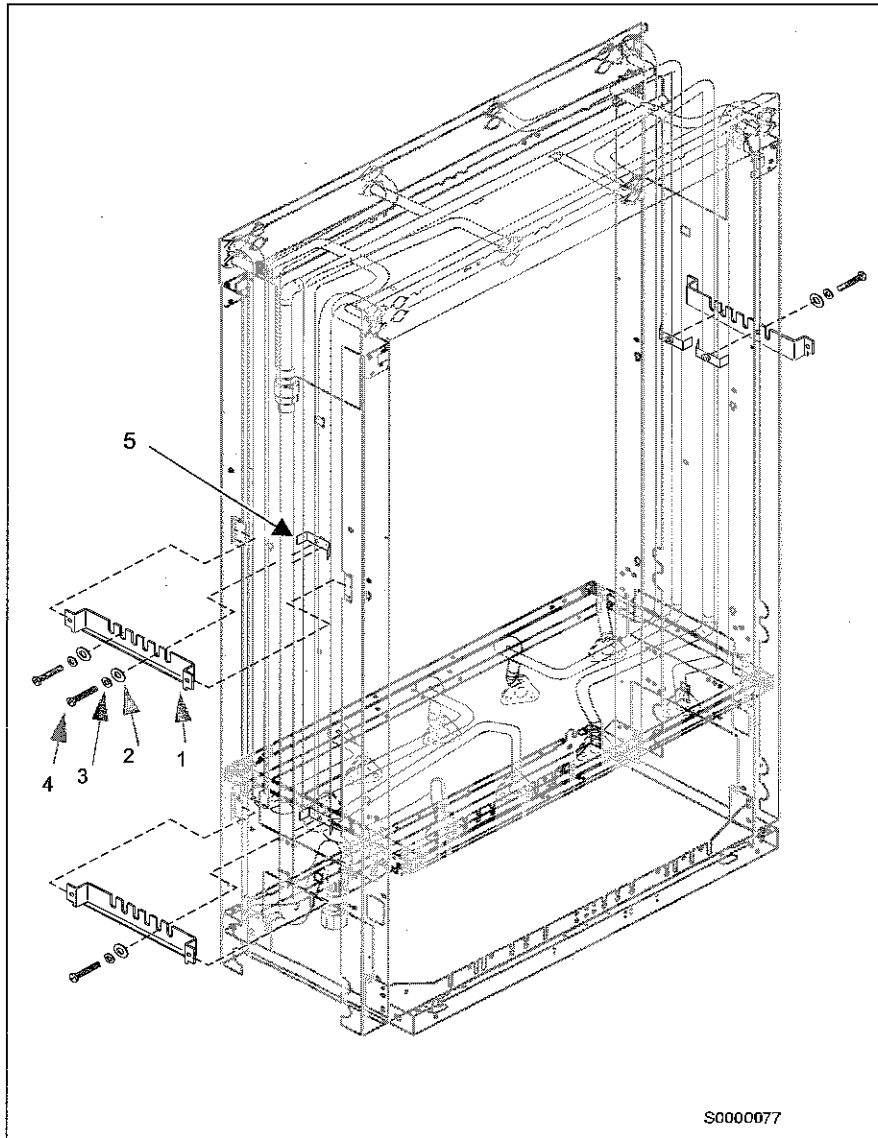
Item #	Description	Current Part	Previous Part	Quantity
1	Straight fitting for vapor return line	K93784-02	-	1
2	Lower vapor recovery line			
	• Dispensers, blenders	T18747-G1	-	1
	• Pumps	T18241-G1	-	1
	• Vapor recovery retrofit kits K94275, K94276, and K94277	W02888-G1	-	1
3	Coupling, 1"	K93489-02	-	1
4	Upper vapor recovery line, 48"	W02987-G1	-	1
5	Upper vapor recovery line, 48", MPD four-grade units only	W02987-G2	-	1
6	Upper vapor recovery line, 36"	W03015-G1	-	1

Item #	Description	Current Part	Previous Part	Quantity
7	Vapor plug plate (See Note 1)	N23310	-	1
8	Vapor plug gasket (See Note 1)	N23319	-	1

Notes :1) For VaporVac parts, refer to PT-1831 VaporVac Illustrated Parts Manual.

2) Not shown. Used to plug upper vapor recovery line outlets that do not receive a hose casting.

### Piping Brackets

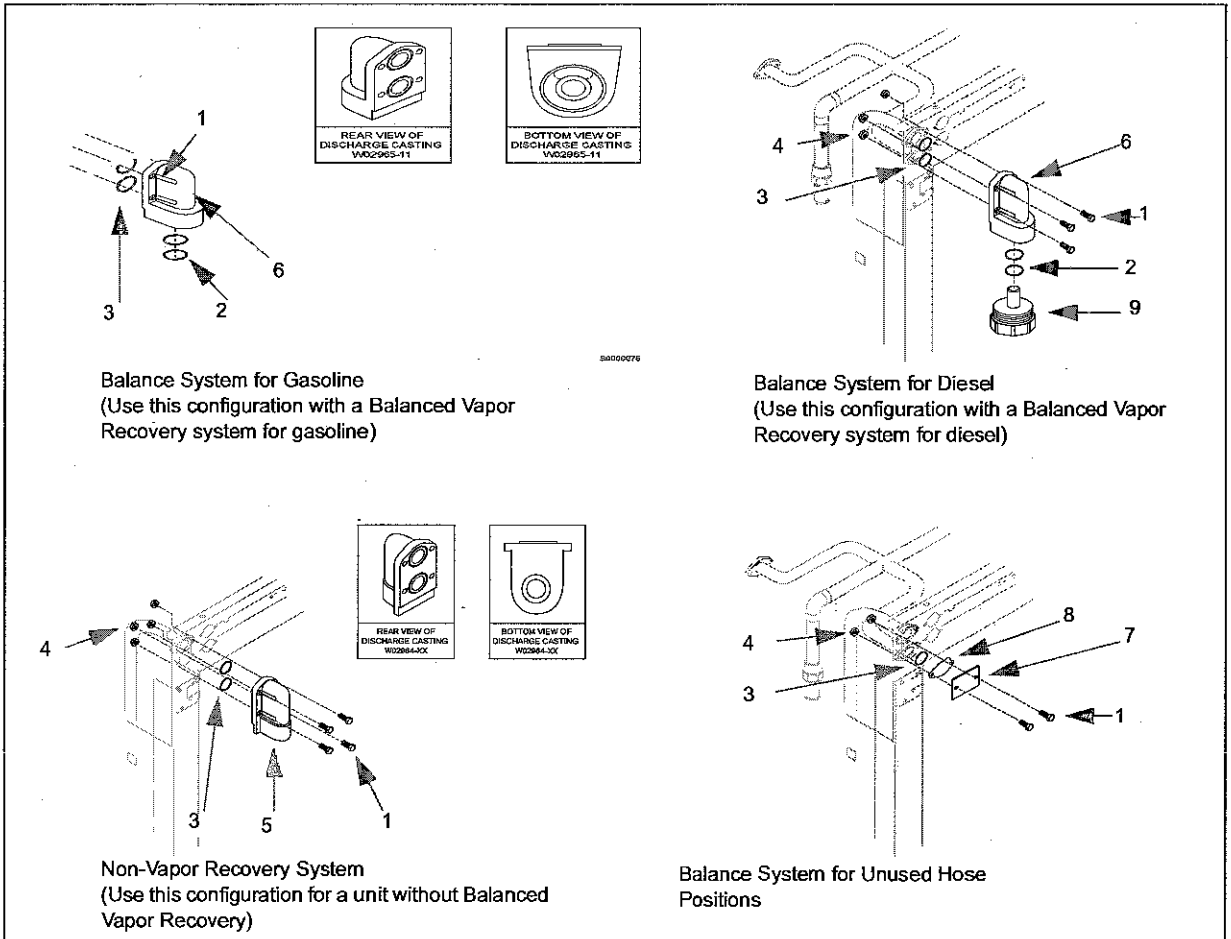


Item #	Description	Current Part	Previous Part	Quantity
1	Pipe clamp bracket	T18799-01	-	(See Note)
2	Flat washer, 1/4"	K14056	-	(See Note)
3	Lock washer, 1/4"	K50773	-	(See Note)

Item #	Description	Current Part	Previous Part	Quantity
4	Screw, 1/4"-20 x 2"	K02447	-	(See Note)
5	Pipe clamp	N23644-G1	K95857 K92858	(See Note)

*Note: Quantity varies with model*

### Hose Castings



Item #	Description	Current Part	Previous Part	Quantity
1	Bolt, 5/16"-18 x 1"	K07565	Q12619-01	4
2	O-Ring, 11/16" x 13/16" x 1/16"	N16891-27	-	2
3	O-Ring, 15/16" x 1-3/16" x 1/8"	N16891-25	-	2
4	Nut, 5/16"-18	Q11890-05	Q10977-05	4
5	Hose outlet casting (non-vapor recovery)			
	• Standard flow (3/4" outlet)	W02964-12	W02964-10	1
	• High flow (1" outlet)	W02964-13	W02964-11	1
	• Super-hi flow (1" outlet)	W02964-14	-	1
6	Hose outlet casting (balanced vapor recovery)	W02965-11	W02965-04 W02964-02	1
7	Vapor plug plate (See Note 1), For balance only	N23310	-	1
8	Vapor plug gasket (See Note 1), For balance only	N23319	-	1
9	Hose outlet adapter kit (See Note 2)	K35471	-	(See Note 2)
	• Hose adapter	N22963-01	-	1
	• O-Ring	N16891-30	-	1
10	VaporVac outlet	T18194-12	-	1

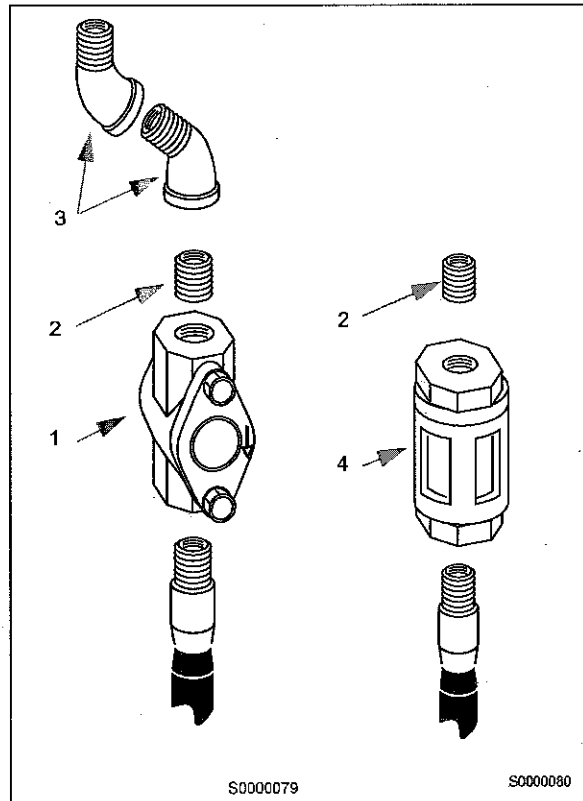
Notes :1) - For VaporVac parts, see PT-1831 VaporVac Illustrated Parts Manual.

2) - Previous parts are used on units built before 05/20/94.

3) Used on Single-Hose and Blender units. Not used on Super-Hi™ units.

4) Quantity varies per model.

### Visual Discharge Indicator



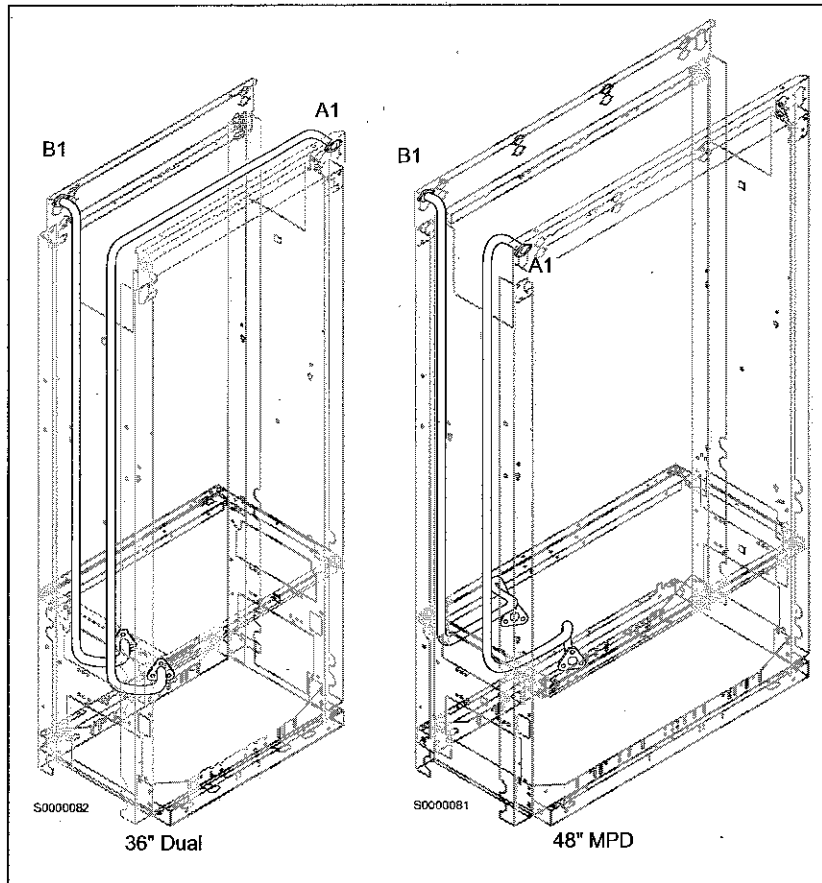
Item #	Description	Current Part	Previous Part	Quantity
1	Visual discharge indicator (See Note 1)	(See Note 2)	N21549-01	(See Note 3)
2	Nipple, 3/4" x 1-3/8"	R10907-46	K09760	(See Note 3)
3	Elbow, 3/4" x 45 degrees	K03608	K21479	(See Note 3)
4	Visual discharge indicator	R20176-G1	-	(See Note 3)

Notes :1) Cannot be used on models with vapor recovery.

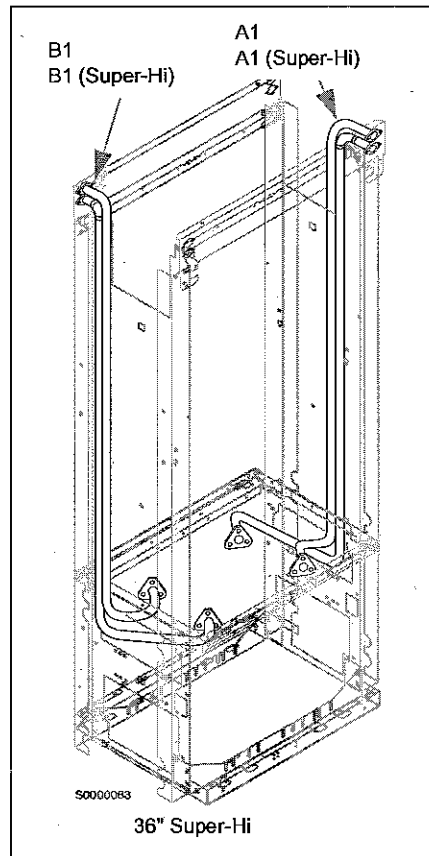
2) Purchase from OPW (<https://www.opw-fc.com/>), former OPW part number 1431.

3) Quantity varies with model.

### One-grade, Two-hose Units

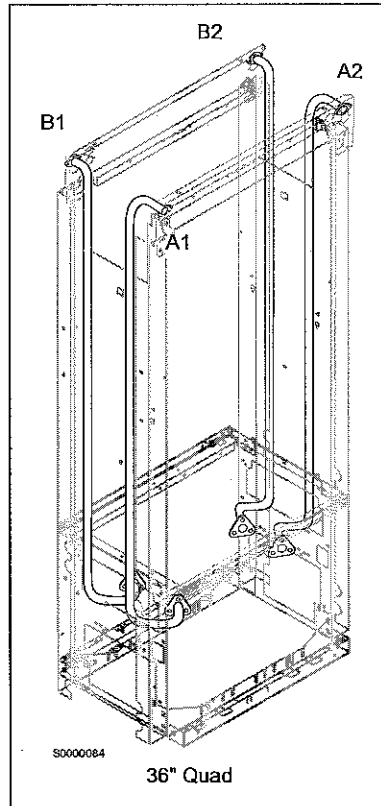


Unit	Discharge Line	Part Number
Dual Dispenser, 36"	A1	W03014-G1
	B1	W02978-G1
Dual Pump, 36"	A1	W03014-G2
	B1	W02978-G2
MPD Dispenser, 48"	A1	W03051-G1
	B1	W03054-G1

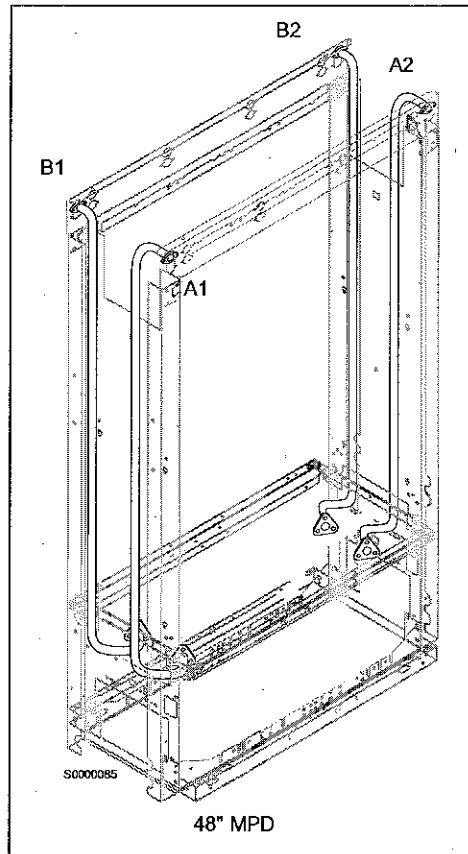


Unit	Discharge Line	Part Number
36" Super-Hi Dispenser	A1, B1	W02978-G1
	A1, B1 (Super-Hi)	W03670-G1

## Two-grade, Four-hose Units

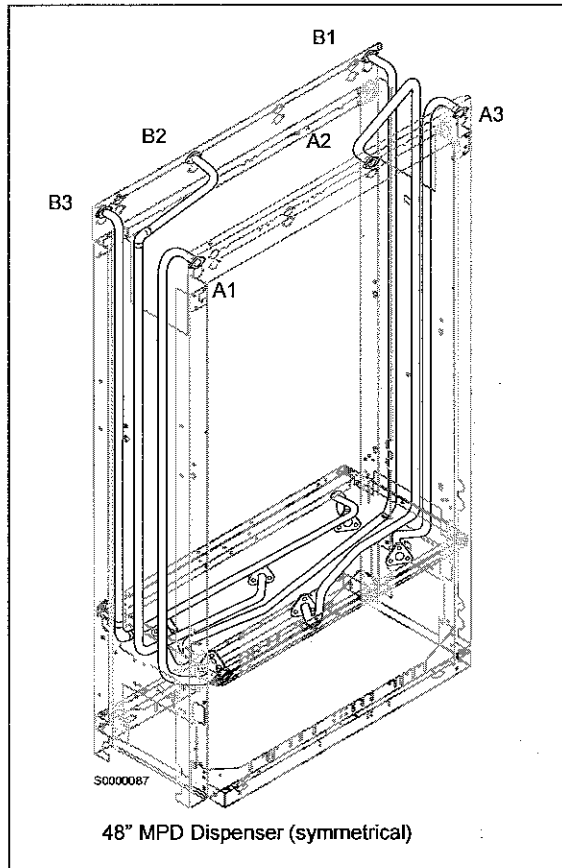


Unit	Discharge Line	Part Number
36" Quad Dispenser	A1, B2	W02979-G1
	A2, B1	W02978-G1
36" Quad Pump	A1, B2	W02979-G2
	A2, B1	W02978-G2

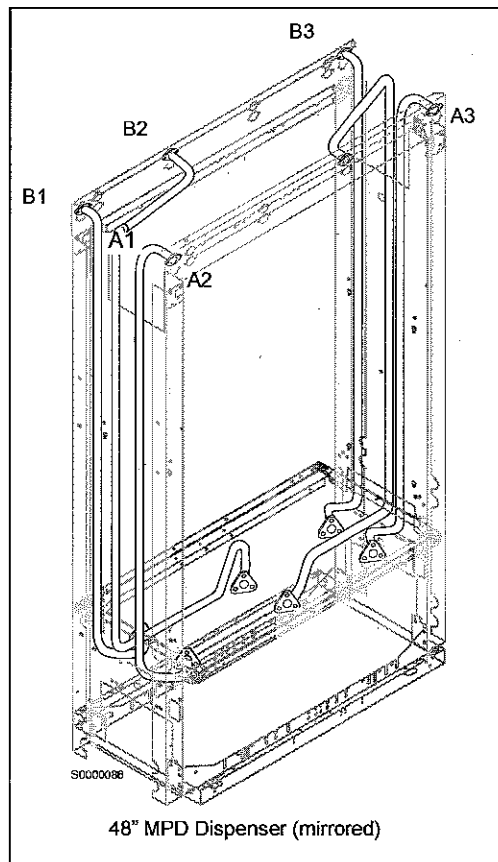


Unit	Discharge Line	Part Number
48" MPD Dispenser	A1, B2	W02979-G1
	A2, B1	W02978-G1
48" MPD Pump	A1, B2	W02979-G2
	A2, B1	W02978-G2

### Three-grade, Six-hose Units

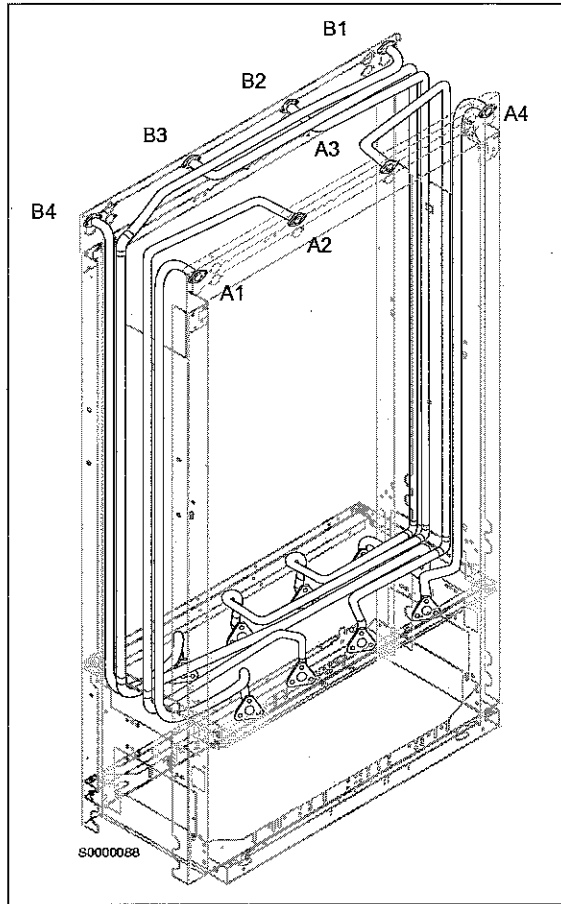


Unit	Discharge Line	Part Number
48" MPD Dispenser (symmetrical)	A1	W02979-G1
	A2	W02977-G1
	A3	W02978-G1
	B1	W03621-G1
	B2	W02976-G1
	B3	W03622-G1

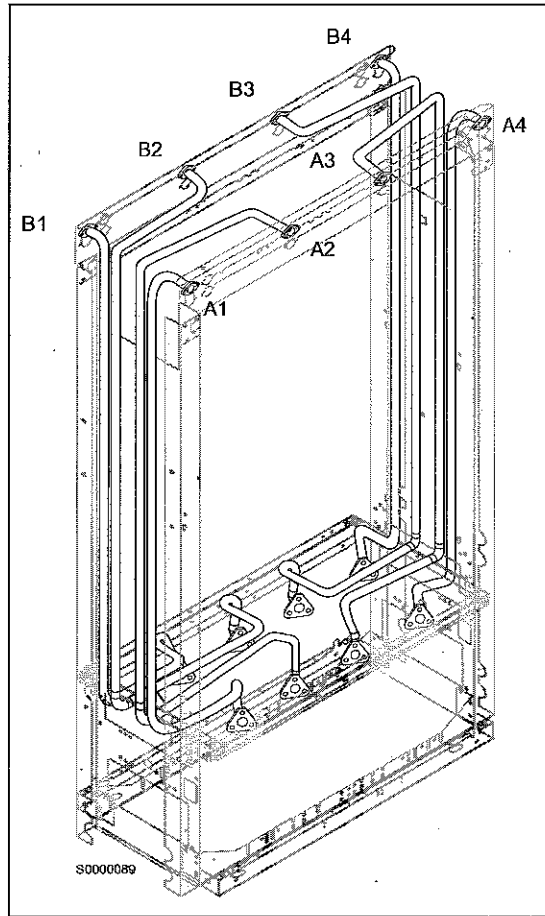


Unit	Discharge Line	Part Number
48° MPD Dispenser (mirrored)	A1, B3	W02979-G1
	A2	W02977-G1
	A3, B1	W02978-G1
	B2	W02976-G1
48° MPD Pump (mirrored)	A1, B3	W02979-G2
	A2	W03070-G1
	A3, B1	W02978-G2
	B2	W03071-G1

### Four-grade, Eight-hose Units

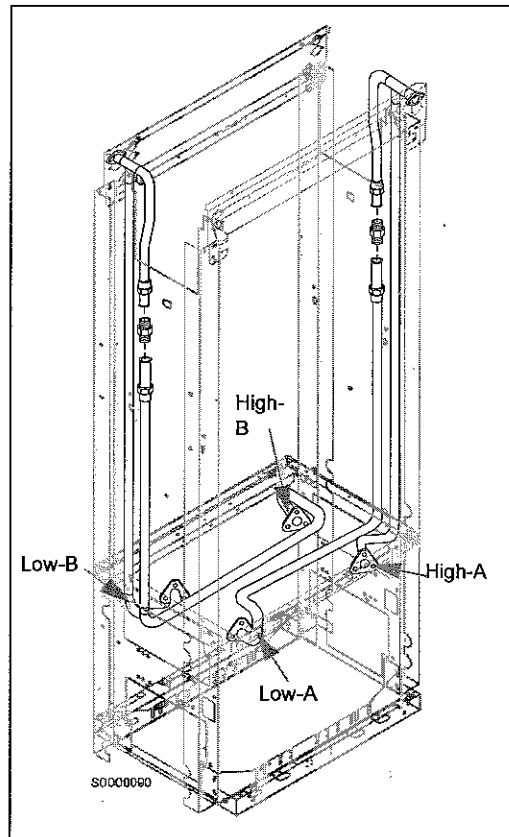


Unit	Discharge Line	Part Number
48" MPD Dispenser (Symmetrical)	A1	W03501-G1
	A2	W03252-G1
	A3	W03053-G1
	A4	W02978-G1
	B1	W03611-G1
	B2	W03609-G1
	B3	W03610-G1
	B4	W03608-G1

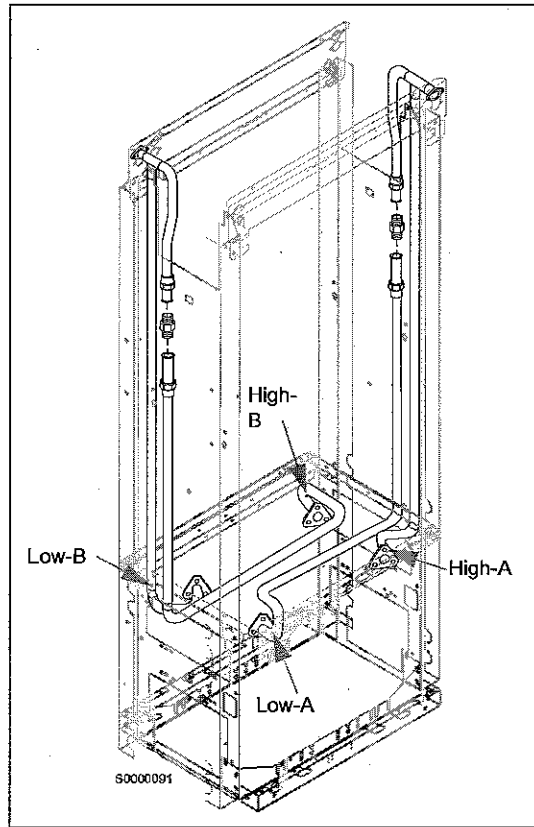


Unit	Discharge Line	Part Number
48" MPD Dispenser (mirrored)	A1	W03501-G1
	A2	W03252-G1
	A3	W03053-G1
	A4	W02978-G1
	B1	W03054-G1
	B2	W03055-G1
	B3	W03056-G1
	B4	W02979-G1

### 36" Blenders

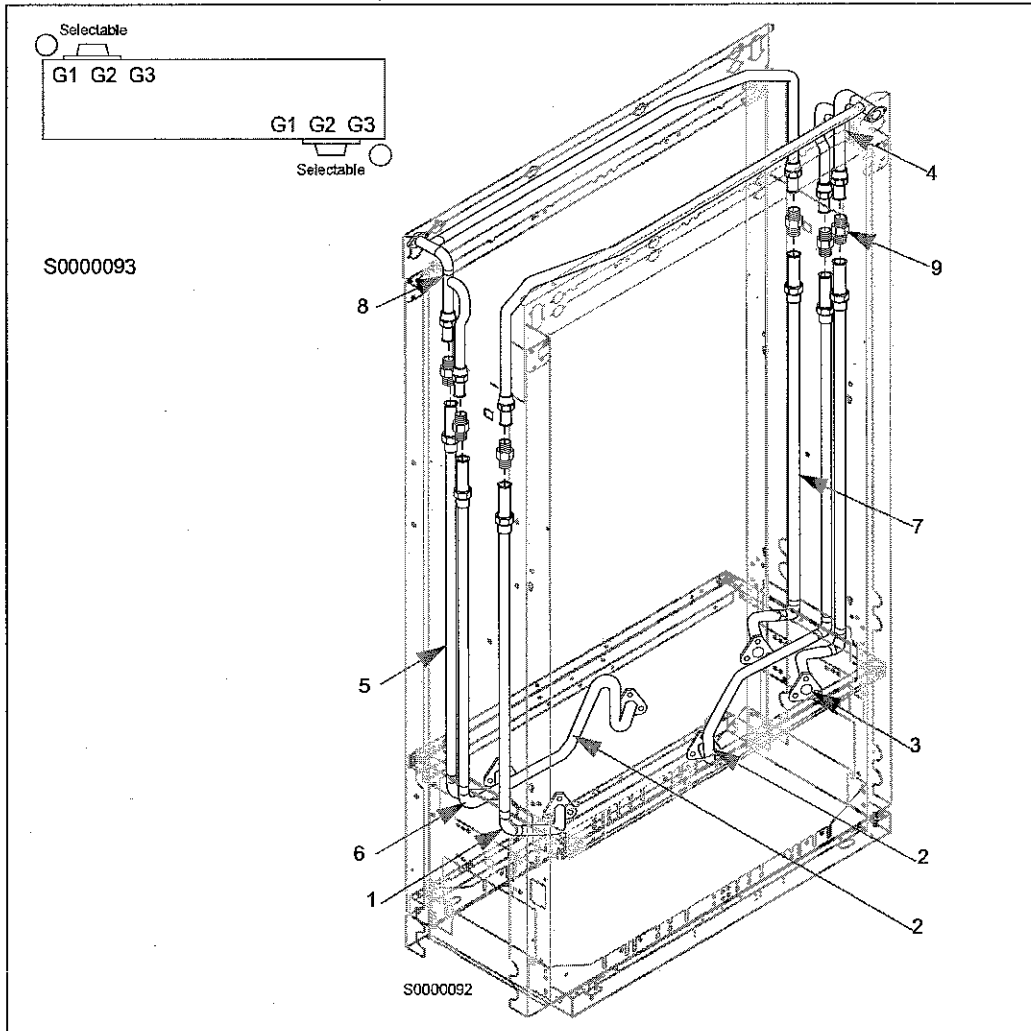


Unit	Discharge Line	Part Number
36" Blender Dispenser	Low-A, High-B	W03057-G1
	High-A, Low-B	W03045-G1
	Flare union (quantity of 2)	Q12625-01



Unit	Discharge Line	Part Number
36" Blender pump	Low-A, High-B	W03057-G2
	High-A, Low-B	W03045-G2
	Flare union (quantity of 2)	Q12625-01

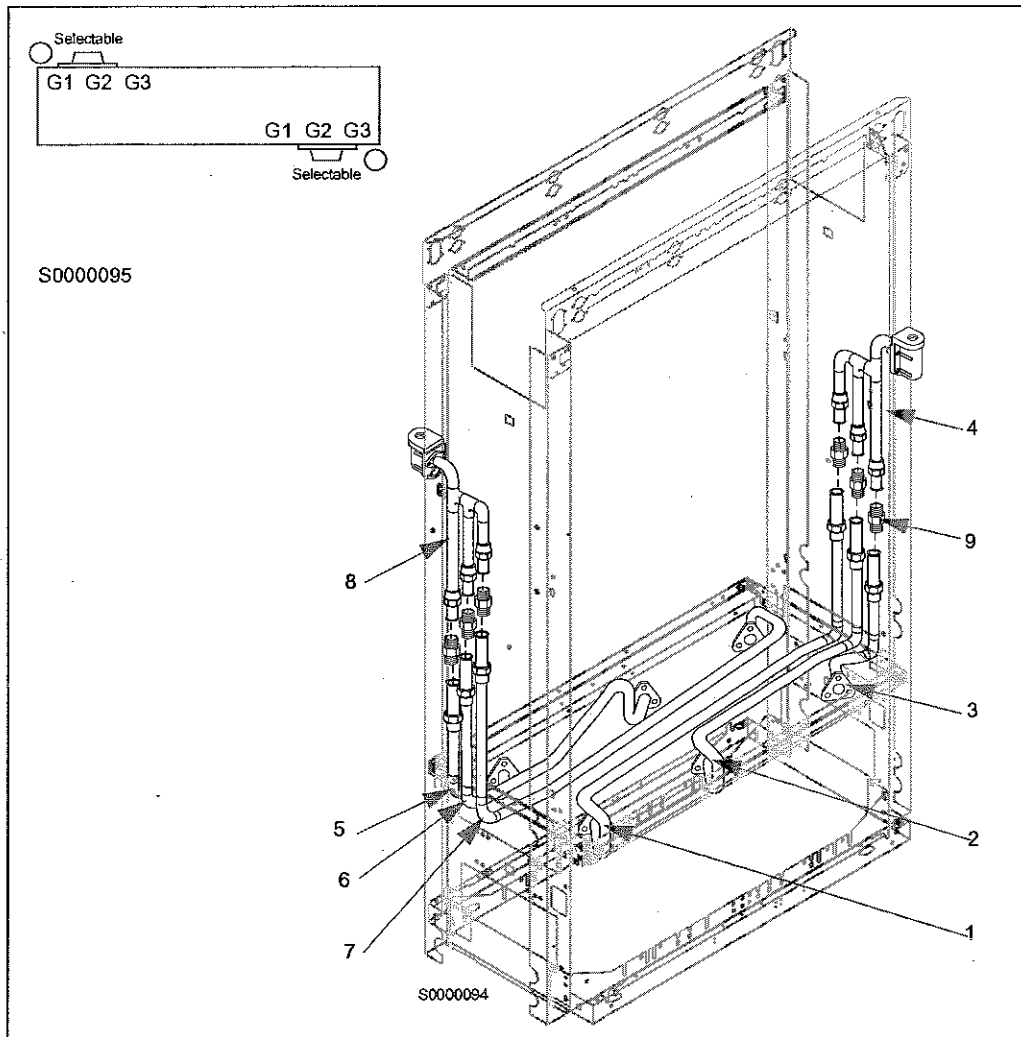
### MPD, 48", Three-Grade, Single-Hose Dispenser



Item #	Description	Current Part	Previous Part	Quantity
1	Discharge line A1	W02902-G1	-	1
2	Discharge line A2	W02901-G1	-	1
3	Discharge line A3	W02903-G1	-	1
4	Top discharge line assembly, side A	W03139-G1	-	1
5	Discharge line B1	W02903-G1	-	1
6	Discharge line B2	W03049-G1	-	1
7	Discharge line B3	W02902-G1	-	1
8	Top discharge line assembly, side B	W03139-G1	-	1
9	Flare union, 7/8"	Q12625-01	-	6

*Note: One-sided units use Side A piping only.*

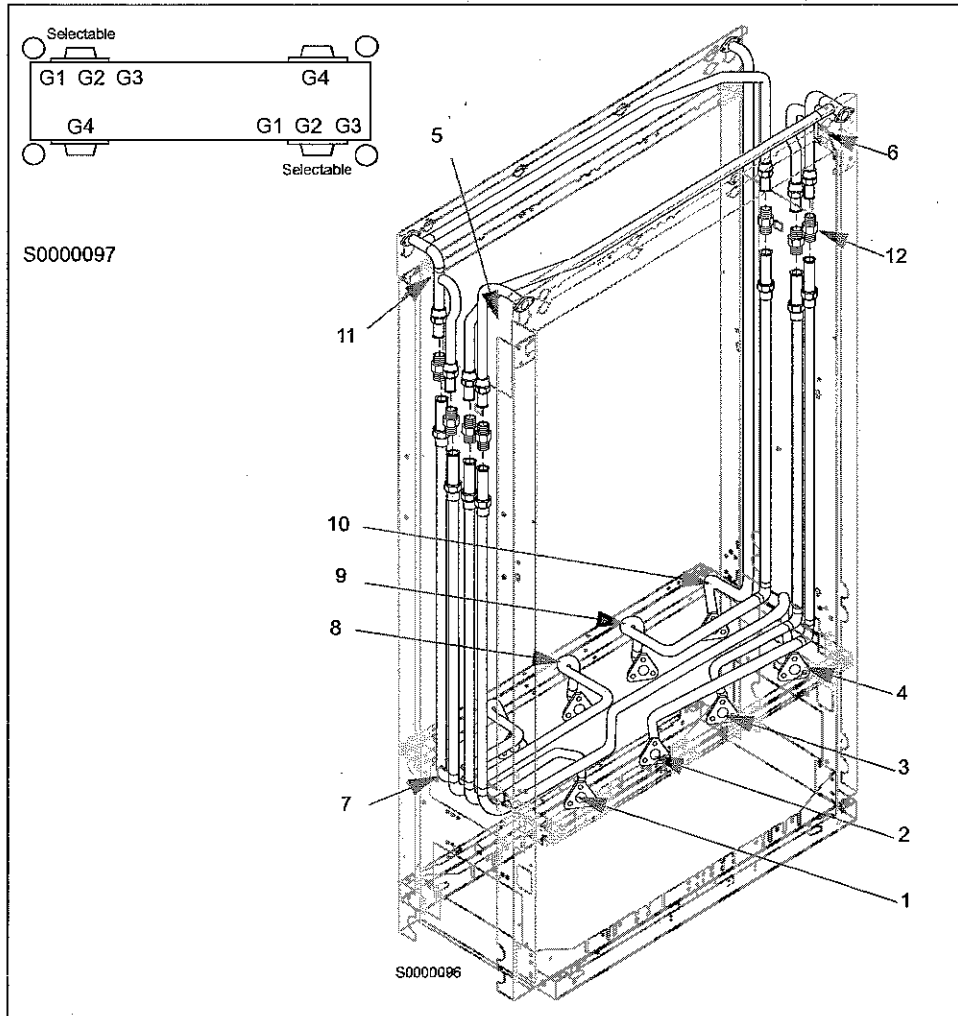
# MPD, 48", Three-Grade, Single-Hose Dispenser With Extended Reach Option



Item #	Description	Current Part	Previous Part	Quantity
1	Discharge line A1	W03270-G1	-	1
2	Discharge line A2	W03271-G1	-	1
3	Discharge line A3	W03273-G1	-	1
4	Top discharge line assembly, side A	T19057-G1	-	1
5	Discharge line B1	W03273-G1	-	1
6	Discharge line B2	W03272-G1	-	1
7	Discharge line B3	W03270-G1	-	1
8	Top discharge line assembly, side B	T19057-G1	-	1
9	Flare union, 7/8"	Q12625-01	-	6

*Note: One-sided units use Side A piping only.*

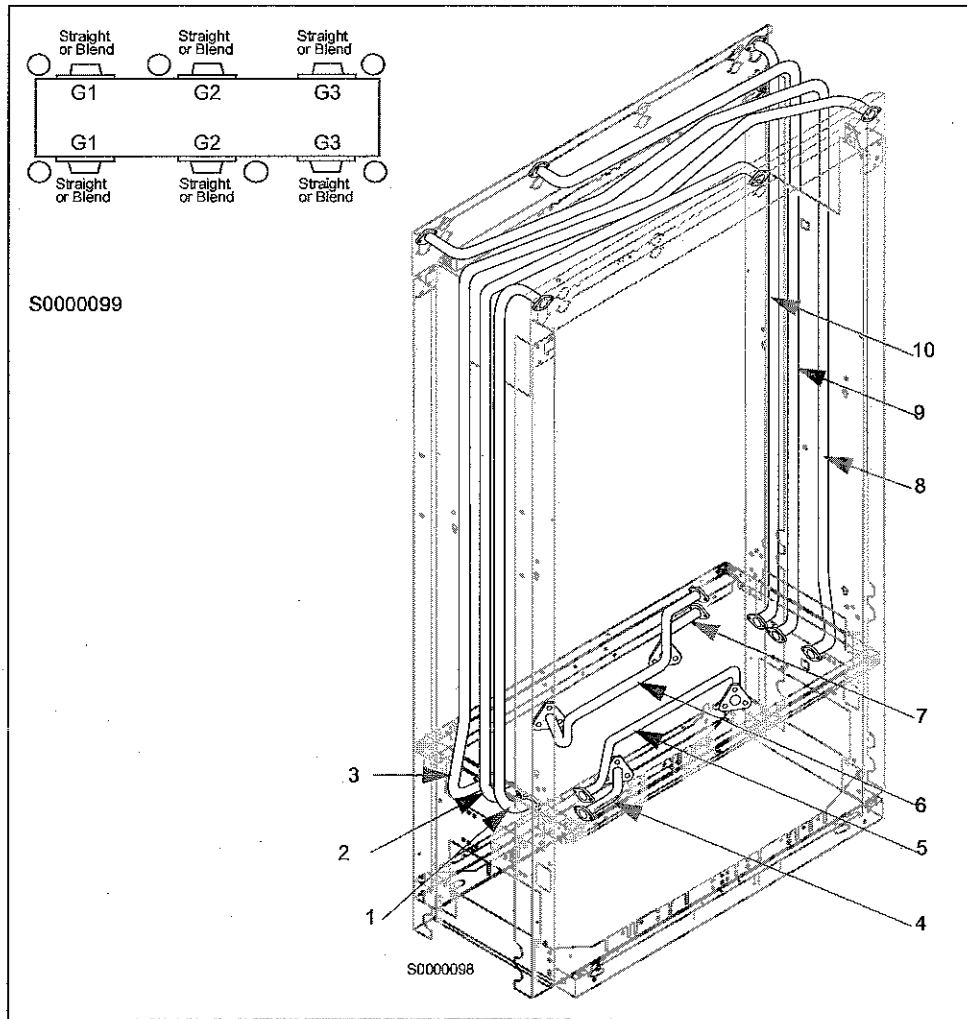
### MPD 48" Four-grade Single-hose + 1 Dispenser



Item #	Description	Current Part	Previous Part	Quantity
1	Discharge line A1	W03468-G1	-	1
2	Discharge line A2	W03469-G1	-	1
3	Discharge line A3	W03470-G1	-	1
4	Discharge line A4	W03471-G1	-	1
5	Upper discharge line A4	T19458-G1	-	1
6	Top discharge line assembly, side A	W03467-G1	-	1
7	Discharge line B1	W03472-G1	-	1
8	Discharge line B2	W03473-G1	-	1
9	Discharge line B3	W03474-G1	-	1
10	Discharge line B4	W02979-G1	-	1
11	Top discharge line assembly, side B	W03467-G1	-	1
12	Flare union, 7/8"	Q12625-01	-	7

*Note: One-sided units use Side A piping only.*

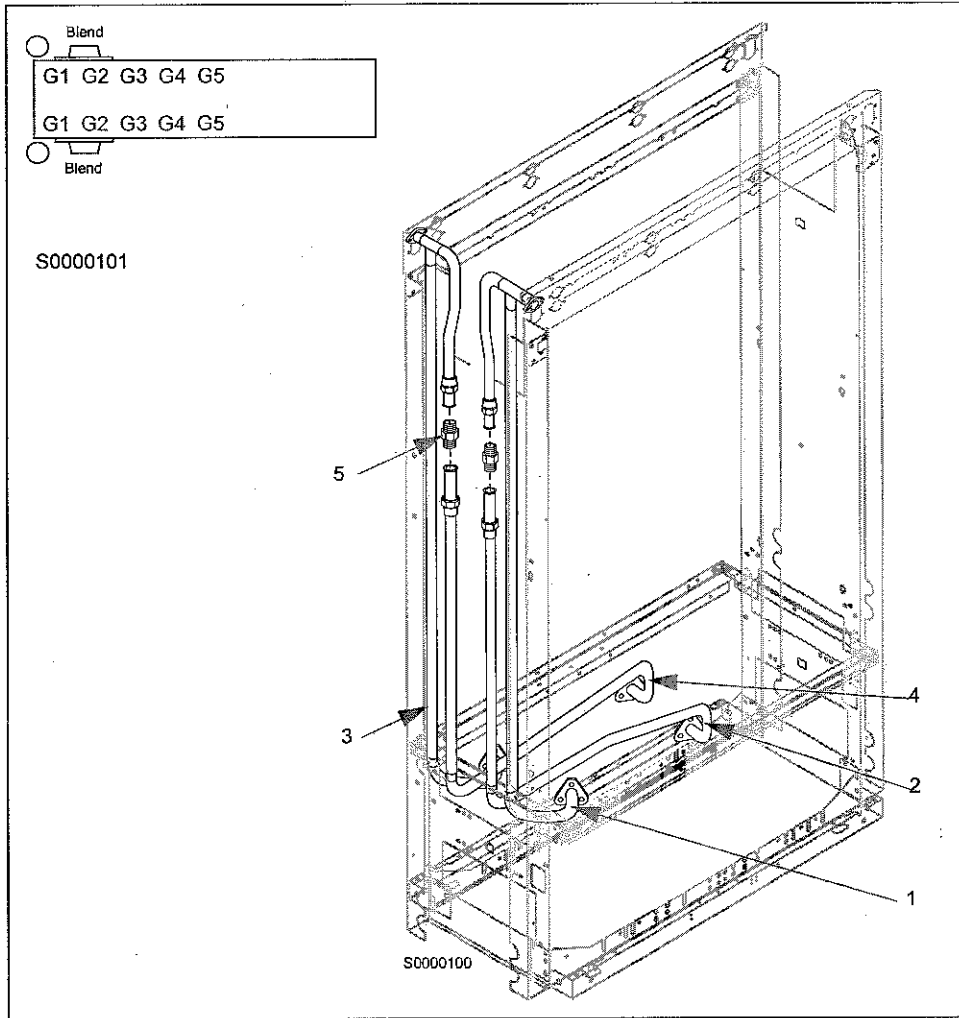
### Blender 48", Six-Hose Dispenser



Item #	Description	Current Part	Previous Part	Quantity
1	Discharge line A1	W02996-G1	-	1
2	Discharge line A2	W02997-G1	-	1
3	Discharge line A3	W03152-G1	-	1
4	Feed line, side A, low product	T18814-G1	-	1
5	Feed line, side A, high product	W02995-G1	-	1
6	Feed line, side B, low product	W02995-G1	-	1
7	Feed line, side B, high product	T18814-G1	-	1
8	Discharge line B1	W03152-G1	-	1
9	Discharge line B2	W02997-G1	-	1
10	Discharge line B3	W02996-G1	-	1

Note: One-sided units use Side A piping only.

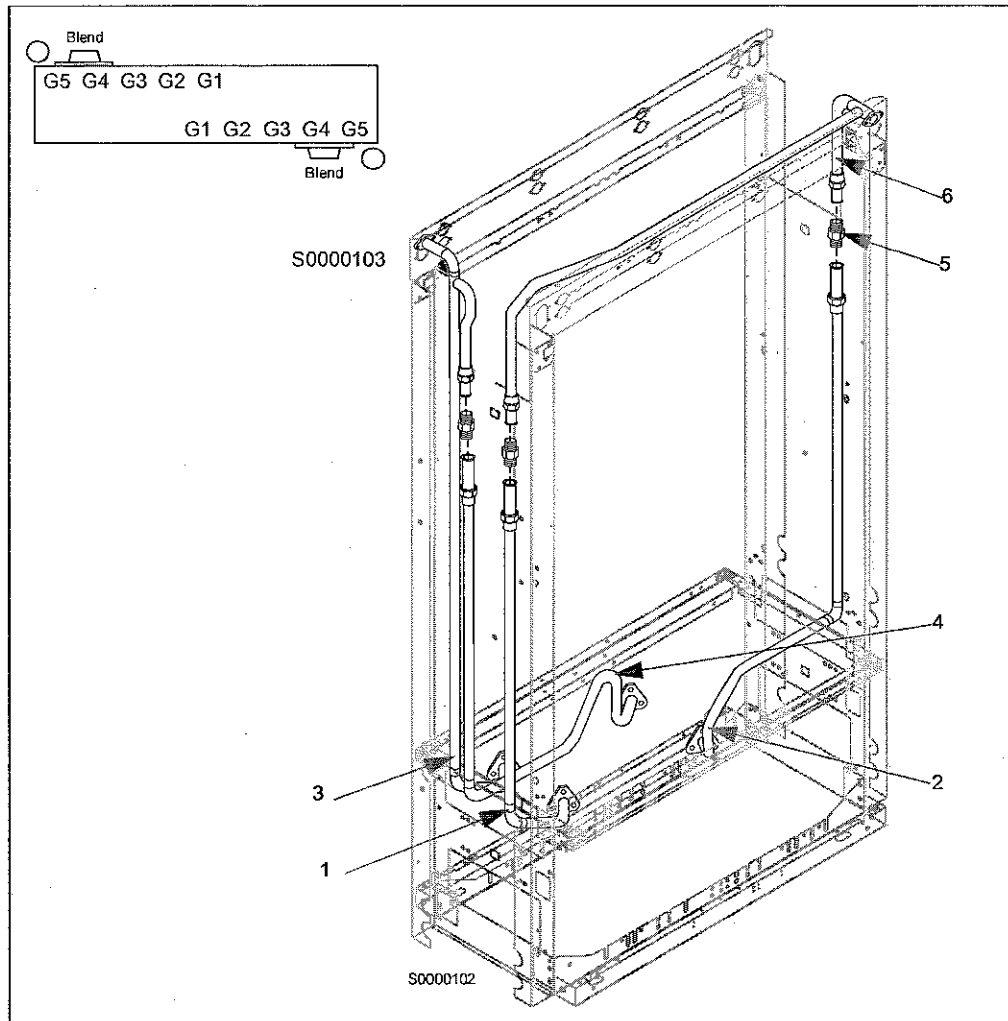
### Blender, 48", X+0 Dispenser (Mirrored)



Blender, 48", X+0 Dispenser (Symmetrical, Hose Right)

Item #	Description	Current Part	Previous Part	Quantity
1	Discharge line, side A, low product	W03043-G1	-	1
2	Discharge line, side A, high product	W03047-G1	-	1
3	Discharge line, side B, low product	W03045-G1	-	1
4	Discharge line, side B, high product	W03049-G1	-	1
5	Flare union, 7/8"	Q12625-01	-	2

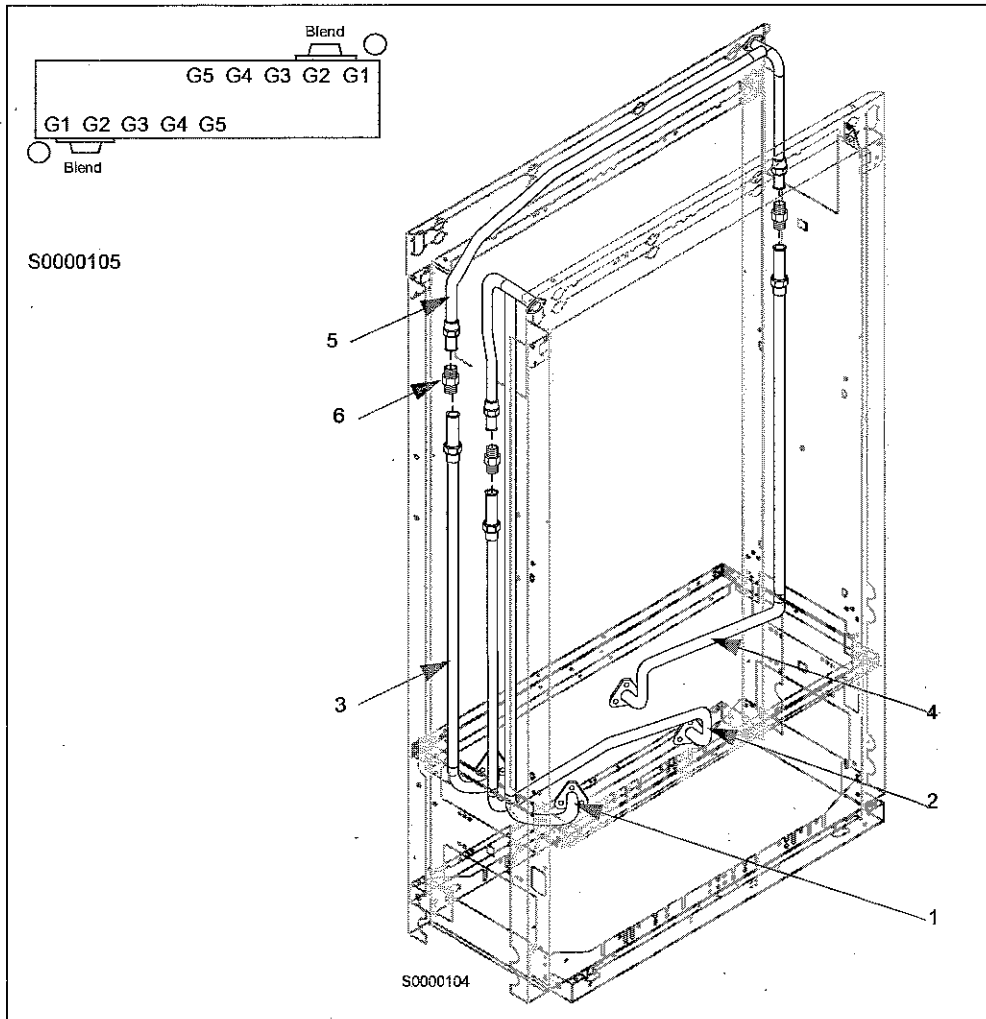
Note: One-sided units use Side A piping only.



Item #	Description	Current Part	Previous Part	Quantity
1	Discharge line, side A, low product	W02902-G1	-	1
2	Discharge line, side A, high product	W02901-G1	-	1
3	Discharge line, side B, low product	W03045-G1	-	1
4	Discharge line, side B, high product	W03049-G1	-	1
5	Flare union, 7/8"	Q12625-01	-	3
6	Upper discharge line, side A	W03512-G1	-	1

*Note: One-sided units use Side A piping only.*

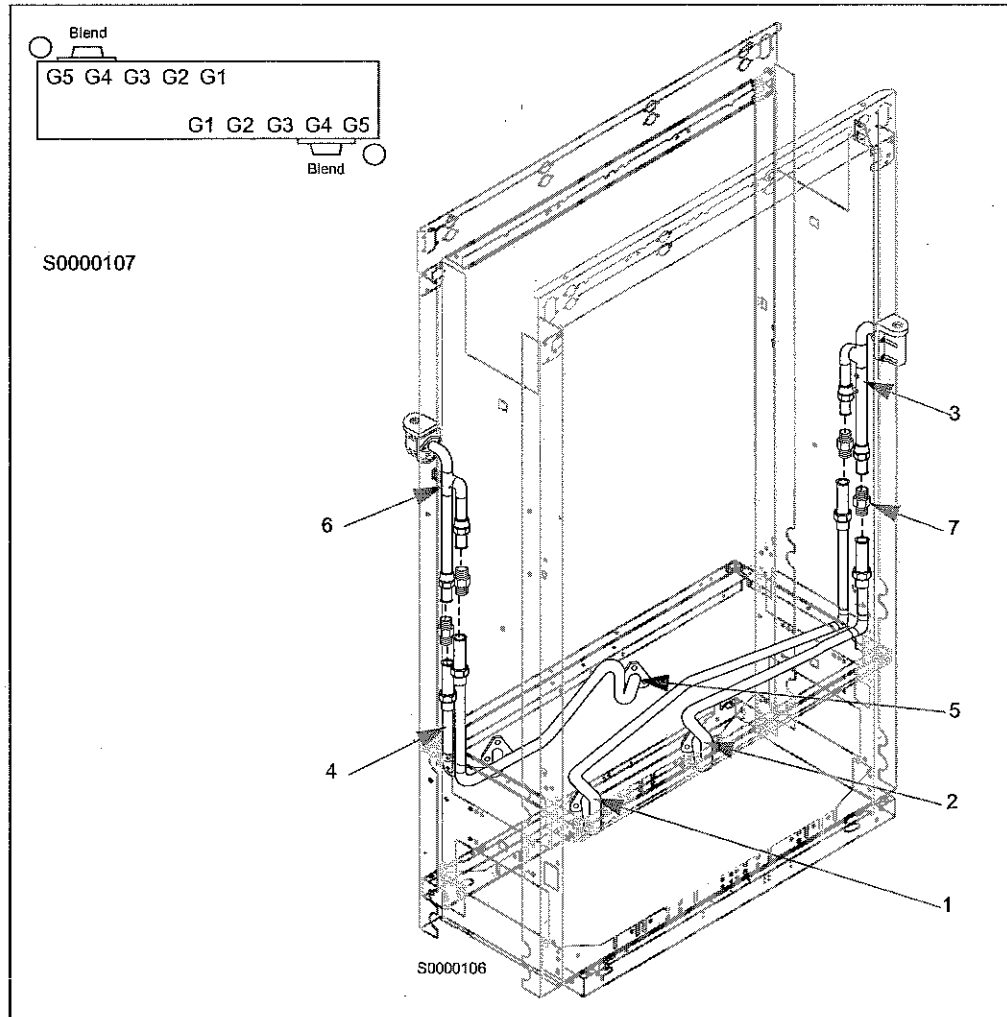
### Blender, 48", X+0 Dispenser (Symmetrical, Hose Left)



Item #	Description	Current Part	Previous Part	Quantity
1	Discharge line, side A, low product	W03043-G1	-	1
2	Discharge line, side A, high product	W03047-G1	-	1
3	Discharge line, side B, low product	W02903-G1	-	1
4	Discharge line, side A, high product	W03383-G1	-	1
5	Upper discharge line, side B	W03382-G1	-	1
6	Flare union, 7/8"	Q12625-01	-	3

Note: One-sided units use Side A piping only.

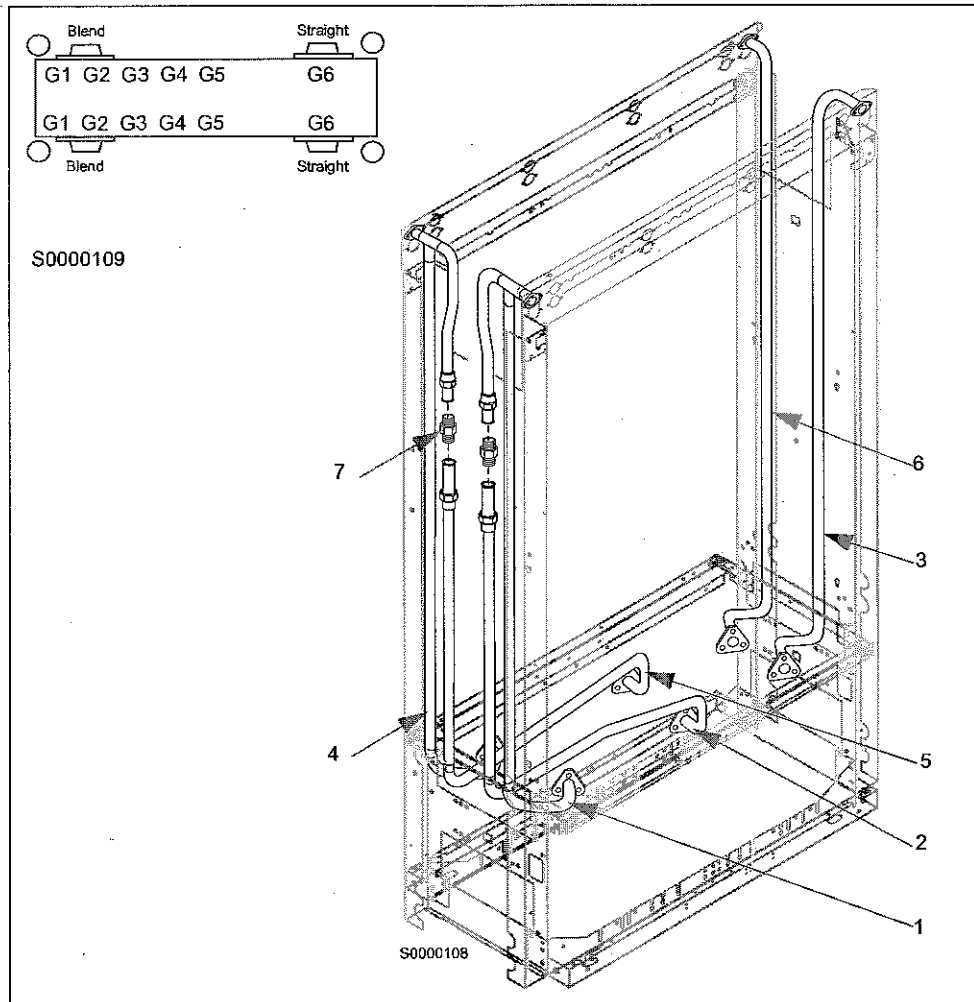
**Blender, 48", X+0 Dispenser (Symmetrical, With Extended Reach Option)**



Item #	Description	Current Part	Previous Part	Quantity
1	Discharge line, side A, low product	W03711-G1	W03561-G1	1
2	Discharge line, side A, high product	W03562-G1	-	1
3	Upper discharge line, side A	T19647-G1	-	1
4	Discharge line, side B, low product	W03559-G1	-	1
5	Discharge line, side A, high product	W03560-G1	-	1
6	Upper discharge line, side B	T19647-G1	-	1
7	Flare union, 7/8"	Q12625-01	-	3

*Note: One-sided units use Side A piping only.*

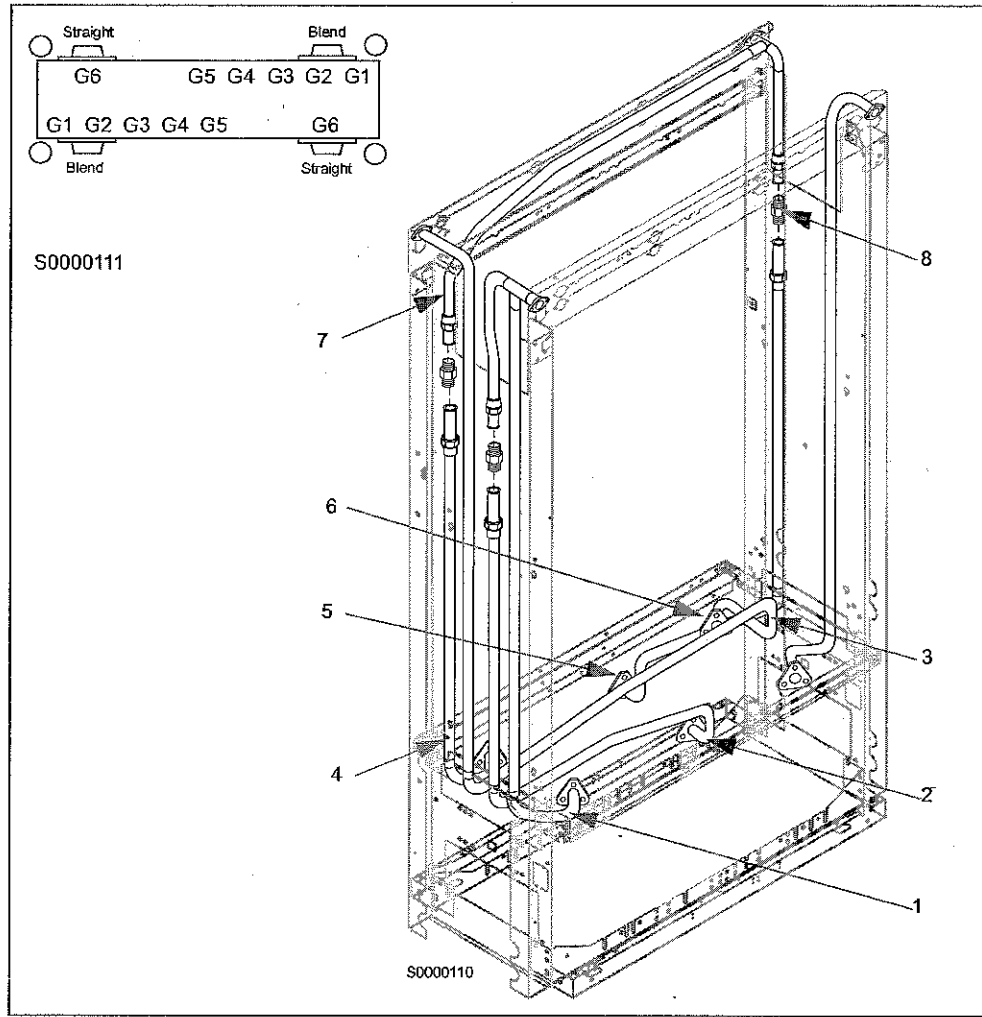
### Blender, 48", X+1 Dispenser (Mirrored)



Item #	Description	Current Part	Previous Part	Quantity
1	Discharge line, side A, low product	W03043-G1	-	1
2	Discharge line, side A, high product	W03047-G1	-	1
3	Discharge line, side A, straight product	W02978-G1	-	1
4	Discharge line, side B, low product	W03045-G1	-	1
5	Discharge line, side B, high product	W03049-G1	-	1
6	Discharge line, side B, straight product	W02979-G1	-	1
7	Flare union, 7/8"	Q12625-01	-	2

Note: One-sided units use Side A piping only.

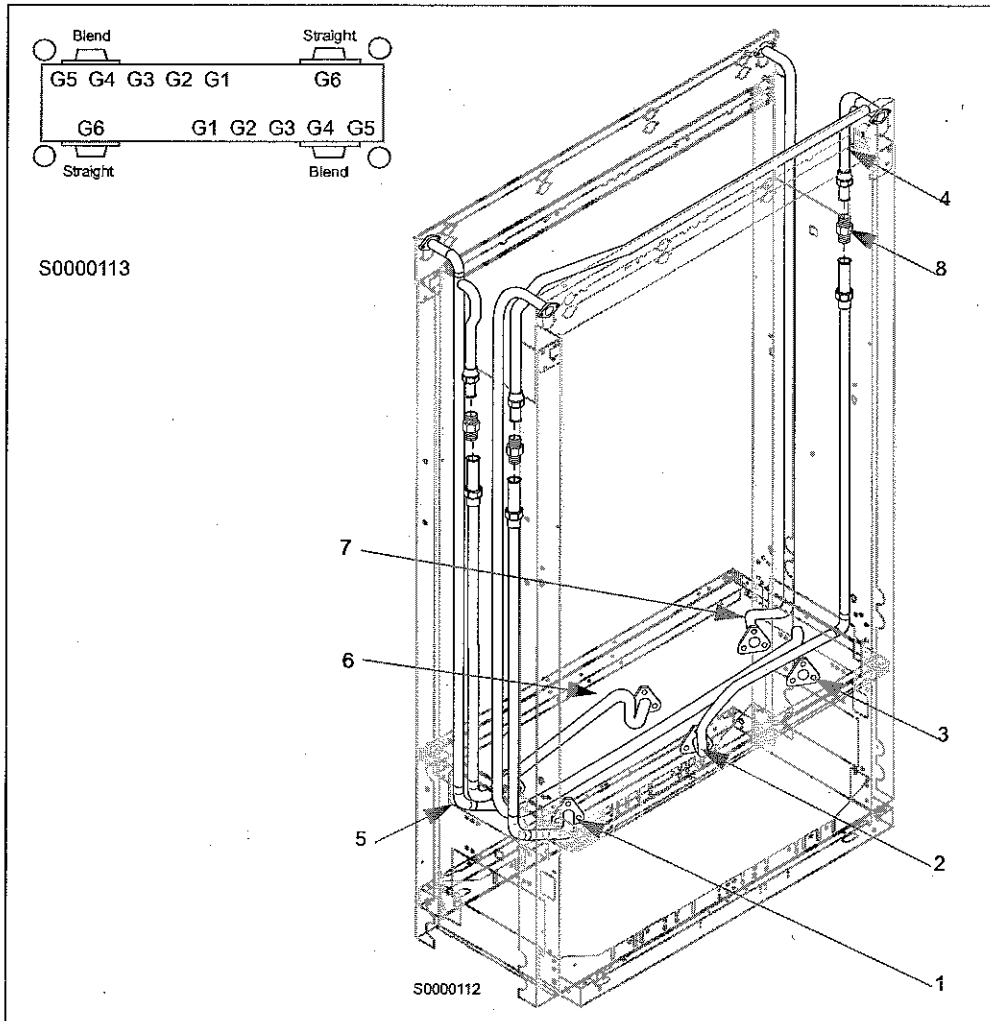
**Blender, 48", X+1 Dispenser (Symmetrical, Straight-Product Right)**



Item #	Description	Current Part	Previous Part	Quantity
1	Discharge line, side A, low product	W03043-G1	-	1
2	Discharge line, side A, high product	W03047-G1	-	1
3	Discharge line, side A, straight product	W02978-G1	-	1
4	Discharge line, side B, low product	W02903-G1	-	1
5	Discharge line, side B, high product	W03383-G1	-	1
6	Discharge line, side B, straight product	W03587-G1	-	1
7	Upper discharge line, side B	W03382-G1	-	1
8	Flare union, 7/8"	Q12625-01	-	3

*Note: One-sided units use Side A piping only.*

**Blender, 48", X+1 Dispenser (Symmetrical, Straight-Product Left)**



Item #	Description	Current Part	Previous Part	Quantity
1	Discharge line, side A, low product	W02902-G1	-	1
2	Discharge line, side A, high product	W02901-G1	-	1
3	Discharge line, side A, straight product	W03590-G1	-	1
4	Upper discharge line, side A	W03512-G1	-	1
5	Discharge line, side B, low product	W03045-G1	-	1
6	Discharge line, side B, high product	W03049-G1	-	1
7	Discharge line, side B, straight product	W02979-G1	-	1
8	Flare Union, 7/8"	Q12625-01	-	3

*Note: One-sided units use Side A piping only.*