



405 SERIES PARTICULATE *Synthetic Glass Media*



40510G

Synthetic Glass Media For Fuel Dispensers

BENEFITS

- PetroClear model 40510G is a particulate synthetic glass media spin-on filters designed for use on fuel dispensers.
- The 40510G is designed to remove particulates from gasoline, diesel, and alcohol blended gasoline with 15% maximum alcohol.
- Petro Clear model 40510G utilizes a high performance, high capacity synthetic glass media and is designed for use with alcohol blended gasoline with 15% maximum alcohol. The 40510G is for particulate removal only and will not react to the presence of water and offers efficient 10 micron nominal particulate removal (nominal = 75% efficiency). Phase separation will not be detected should it occur.
- PetroClear filters are not designed for use with aviation fuels.

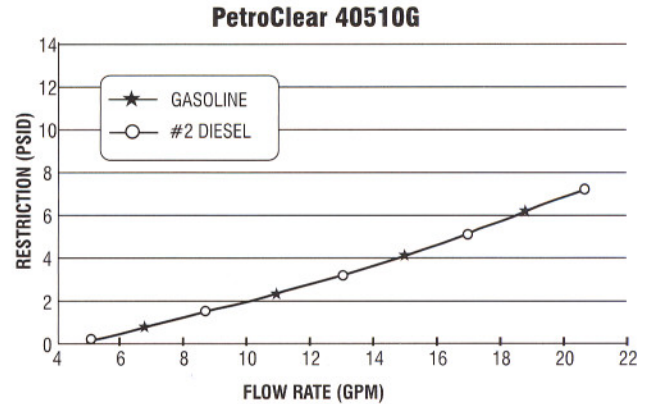
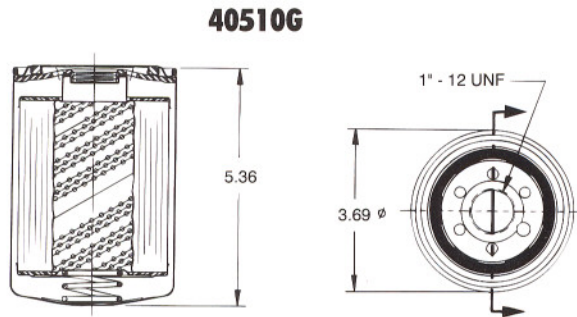
SPECIFICATIONS

- The 40510G is a high performance, high capacity synthetic glass 10 micron particulate removing filter. This provides greater particulate holding capacity than standard cellulose media and reduces the need to make frequent and costly filter changes. Synthetic glass media has double the capacity of standard cellulose media.
- PetroClear model 40510G utilizes an epoxy coated interior shell to eliminate oxidation which can cause pin-hole leaks from the inside.
- Underwriters Laboratories, Inc. recognizes PetroClear model 40510G for use on fuel dispensers.
- The maximum flow rate for PetroClear model 40510G is 15 gpm (57 lpm). Maximum operating pressure is 50 psid (3.4 bar). Maximum differential pressure is 25 psid (1.7 bar). Collapse pressure is 150 psid (10.3 bar). Maximum operating temperature is 250° F (139°C).
- PetroClear model 40510G utilizes a standard 1"-12 UNF mounting thread (3/4" flow) required for most fuel dispensers.
- Adaptors are available for model 40510G in aluminum and cast-iron. The adaptor for model 40510G is available in both 3/4" and 1" NPT and BSP inlet/outlet threads.



40510G

Synthetic Glass Media for Fuel Dispensers



MODEL	40510G
FILTER TYPE	Spin-On
MEDIA TYPE	*Synthetic Glass
MICRON RATING	10 Micron (Nominal=75% Eff.)
DIAMETER	3.69"
HEIGHT	5.36"
MOUNTING THREAD	1"-12 UNF
FLOW	3/4" flow
SHELL THICKNESS	.020
GASKET MATERIAL	Buna N
COLLAPSE	150 psid (10.3 bar)
MAXIMUM OPERATING TEMPERATURE	250°F (139°C)

OTHER FEATURES Epoxy Coated Shell
 *High Capacity, High Performance, Particulate Removing
 UL Recognized US & Canada

ADAPTORS AVAILABLE	CATALOG #	DESCRIPTION
	.75 N1-12	3/4" NPT Inlet/Outlet Ports, 1"-12 UNF (cast iron)
	.75 N1-12A	3/4" NPT Inlet/Outlet Ports, 1"-12 UNF (aluminum)
	1.00 N1-12	1" NPT Inlet/Outlet Ports, 1"-12 UNF (cast iron)
	1.00 N1-12A	1" NPT Inlet/Outlet Ports, 1"-12 UNF (aluminum)
	.75 B1-12	3/4" BSP Inlet/Outlet Ports, 1"-12 UNF (aluminum)
	1.00 B1-12	1" BSP Inlet/Outlet Ports, 1"-12 UNF (aluminum)

NOTE:

If you experience frequent filter changes, it is recommended that you have fuel samples analyzed to determine the source of contamination, such as water, dirt, rust, bacteria, phase separation, etc.

PetroClear is a technological product of Champion Laboratories, Inc. Changes may occur based upon technology, process and material innovation as Champion Laboratories, Inc. strives to attain the highest levels of performance and customer satisfaction. These changes may occur without notification.