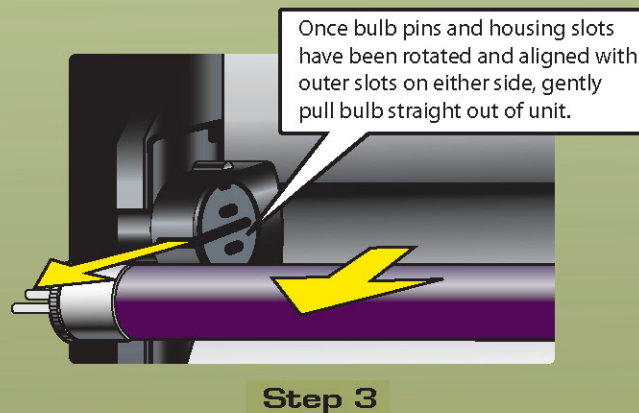
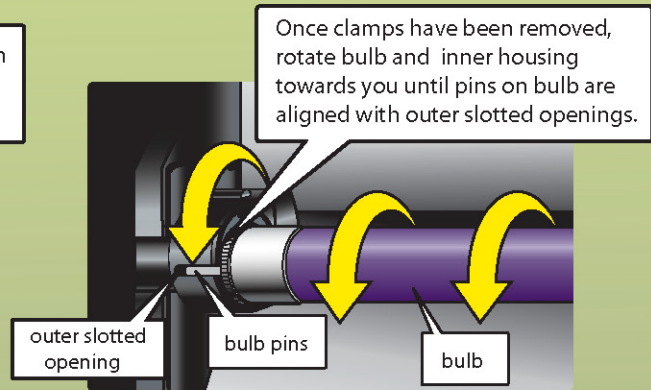
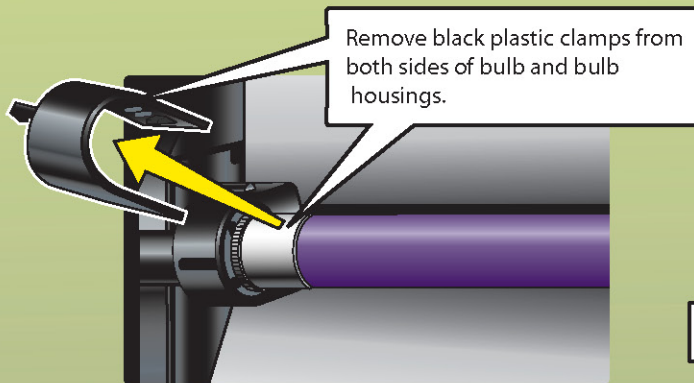


Counterfeit Detection System

Lamp Replacement Instructions

UV Lamp Replacement (for large purple bulb beneath top of system)

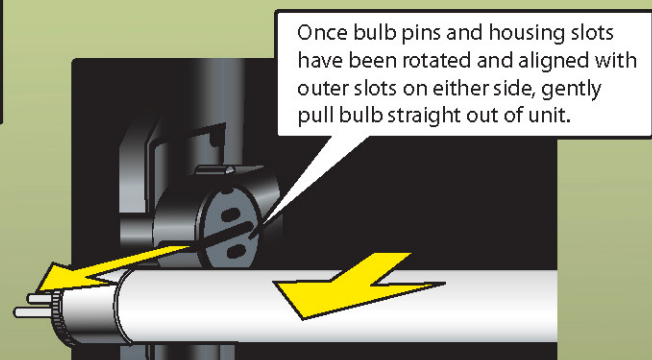
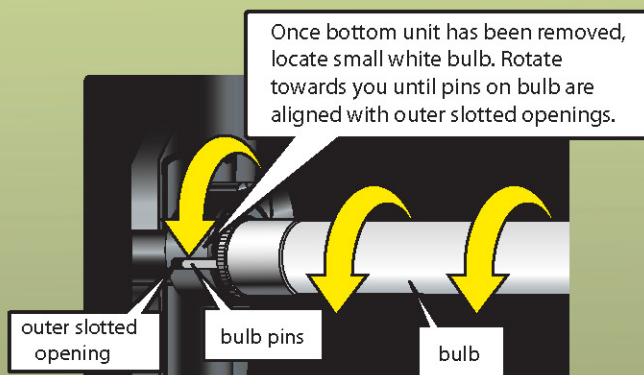
Remove old UV bulb from housing...



Replace old UV bulb with new, repeating steps 1 through 3 in reverse

Flourescent Lamp Replacement (for small white bulb located below light box of system)

Remove bottom plate of unit, unscrewing the 4 screws in each corner



Replace old flourescent bulb with new, repeating steps 1 and 2 in reverse. Reinstall bottom plate of unit.